



Installation Instructions

Modernist Warming Drawer

DWR30M977WIP, DWR30M977WIM, DWR30M977WIS

Contents

Before You Begin	3
Important	3
Customer-Service Information	3
If You Need Help	3
Important Safety Instructions	4
Related Equipment Safety & Important information about safety instructions	4
Installation Requirements	6
Checklist	6
Necessary tools	6
Verifying package contents	6
Installation planning	7
Warming drawer dimensions	7
Installation Instructions	10
Install support platform in cabinet	10
Electrical connection	11
Remove and reinsert drawer	12
Installing the custom front panel	15
Verify warming drawer operation	19

Before You Begin

Important

Installer

- For safety's sake and to minimize problems, read this manual thoroughly before installing the warming drawer.
- Leave this manual with the customer.

Customer

- Keep this manual for reference and the electrical inspector's use.

Customer-Service Information

If You Need Help

For answers to general questions or installation issues, call your Dacor® dealer or Dacor Customer Assurance.

For repairs to Dacor appliances, call Dacor Customer Assurance. Before calling, have available the warming drawer's model and serial numbers, which are on the Product Data Label (drawer front, interior side).

Dacor Customer Assurance

Phone: 833-35-ELITE (833-353-5483) USA, Canada

Hours of Operation: Mon – Fri, 5:00 a.m. to 5:00 p.m. Pacific Time

Website: www.dacor.com/customer-care/contact-us

Specifications may change without notice. Dacor assumes no liability for such changes.

© 2018 Dacor. All rights reserved.

Important Safety Instructions

Related equipment safety

- Remove all tape and packaging before using the unit.
- Dispose of the packaging after unpacking the unit.
- Never let children play with packaging material.
- Never alter the the appliance (e.g., do not remove panels, wire covers, or screws).

⚠ DANGER

ELECTRICAL SHOCK HAZARD

To avoid risk of electrical shock, personal injury or death; verify your appliance has been properly grounded in accordance with local codes or in absence of codes, with the National Electrical Code (NEC). ANSI/NFPA 70-latest edition.

⚠ WARNING

MOVING HAZARD

To avoid risk of severe personal injury, this appliance should be move by two or more people. Transport by appliance dolly is recommended.

Important information about safety instructions

- The Important Safety Instructions and warnings in this manual do not account for all potential issues. Use common sense and caution when installing, maintaining, and operating this appliance.
- Always contact the Dacor Customer Assurance about problems and conditions that you do not understand.

Important Safety Instructions

WARNING

To reduce risk of property damage, fire, electric shock, serious injury, or death when using your appliance, follow basic precautions, including:

- Clean the unit thoroughly before operating it for the first time.
- Do not use harsh scrubbers, cleaners, or detergents, which may permanently mar the unit's finish. Do not use aerosol cleaners, which may be flammable and corrode metal.
- Use the drawer only to warm food, dishes, and utensils. The drawer is not designed for commercial, industrial, or laboratory use.
- Do not install or operate a damaged or malfunctioning unit. Take such an appliance to the nearest authorized servicer for repair or replacement.
- Repair/replace components only as instructed in the accompanying literature. All other service should be done by a qualified technician.
- Usage of unauthorized accessories may cause injuries and damage the drawer.
- **DO NOT TOUCH THE UNIT DURING OR DIRECTLY AFTER USE.** (Heating elements may still be hot, though they have darkened in color.)
- Keep loose/hanging clothing, potholders, towels, and rags away from all warming drawer surfaces during and directly after use.
- Do not put combustible materials in the warming drawer.
- When opening the drawer while the unit is on, stand so the hot air can escape safely.
- Use only dry pot holders to remove items from the drawer.
- Do not heat such items as whole eggs or sealed containers, which may burst and possibly cause personal and property damage.
- When operating in Continuous mode (∞), the drawer must be turned off manually.
- Do not place more than 50 total pounds (cookware, food) in the drawer.
- Clean/maintain the unit regularly as instructed in the user manual. Clean only those parts listed, in the manner specified.
- Ensure that anyone who uses the unit knows how to operate it properly.
- Do not tamper with the controls.
- Never let anyone sit, stand, or climb on the open drawer.
- Do not leave children unattended near the unit or let them play with it.
- Do not store items of interest to children above the drawer.

DANGER

- Have a qualified technician install/ground the unit as instructed in this manual. Have the installer show you the outlet so you can disconnect power to the unit if needed.
- Before cleaning or service, unplug the drawer, and let it cool off.
- If items in the unit ignite, leave the drawer closed, and shut off power at the circuit-breaker panel or fuse box.

Installation Requirements

Checklist

WARNING

To ensure proper installation, the installer should complete this checklist. The owner shall verify proper installation.

- Was the mounting platform installed as instructed?
- Was a properly grounded, dedicated, 3-prong outlet installed for the unit by a licensed electrician?
- Was the drawer properly installed?
- Was proper function verified?
- Was the warranty activated online or the warranty card completed and mailed?

Necessary Tools



Phillips Screwdriver



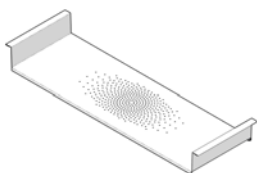
Drill

Verifying Package Contents

These items are provided with the warming drawer. If any of these items are absent, contact your Dacor Service Center or Dacor Customer Assurance (pg. 4).



7 mounting Screws (PN83569)



Half Shelf (PN110346)



Product Literature
(Installation and User Guides,
Planning Guide)



Panel Mounting Bracket*
(PN113886)



4 Bracket Mounting
Screws* (PN83619)



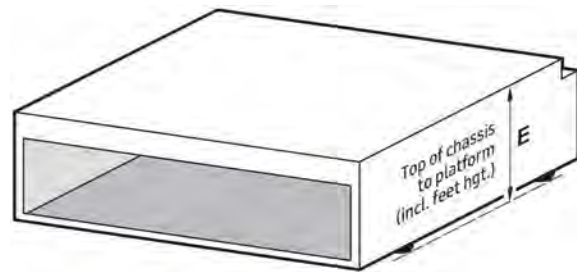
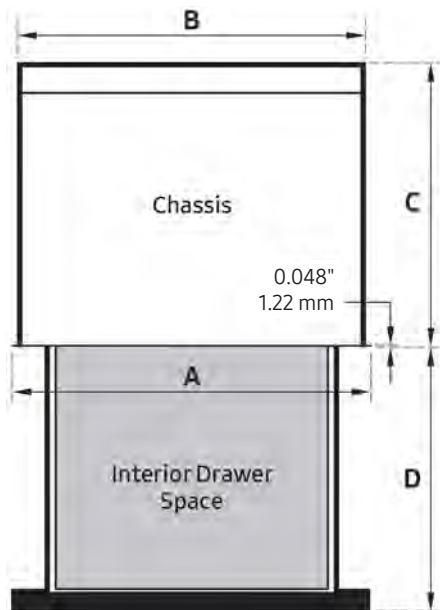
8 Panel Mounting
Screws* (PN83023)

Installation planning

- A qualified technician must install the unit. The owner shall verify proper installation.
- Carefully review the unit's installation site. Access should be convenient. Verify that electrical power can be provided. Install the warming drawer in wood cabinets only.
- All minimum clearances must be met or exceeded. Dimensions show minimum clearances unless otherwise noted. Ensure the drawer can be opened fully unhindered.
- The specified minimum cabinet depth and width must be provided and must completely enclose the recessed portion of the appliance.
- Follow the cabinet cutout dimensions (pg. 12). All contact points between the unit and cabinet must be solid and level. The support platform and cutout opening must be flush.
- Gather all equipment needed for proper installation before beginning.

Warming Drawer Dimensions

Overall dimensions (top view)

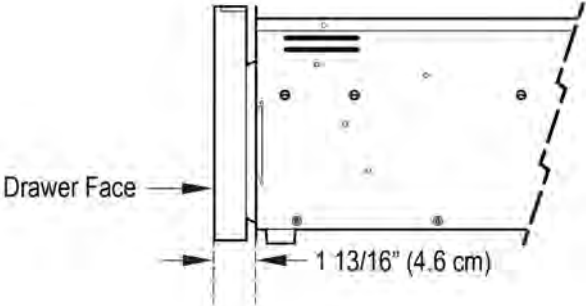
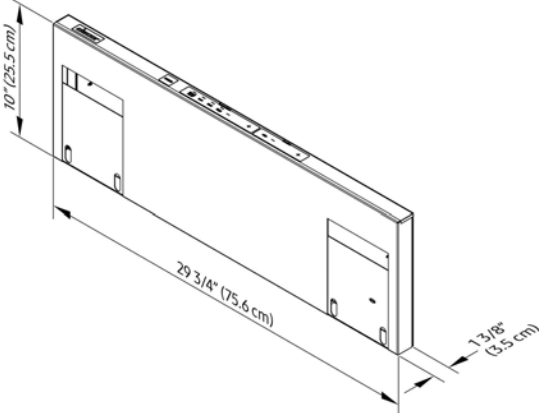


Chassis (drawer removed)

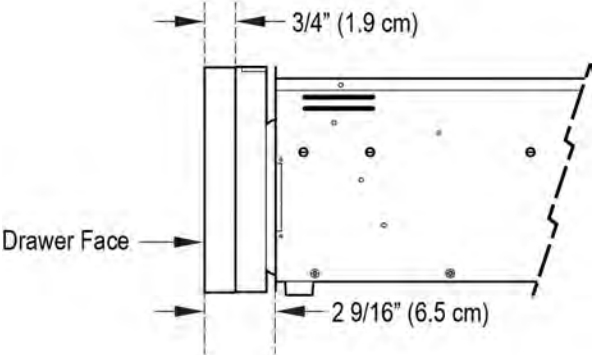
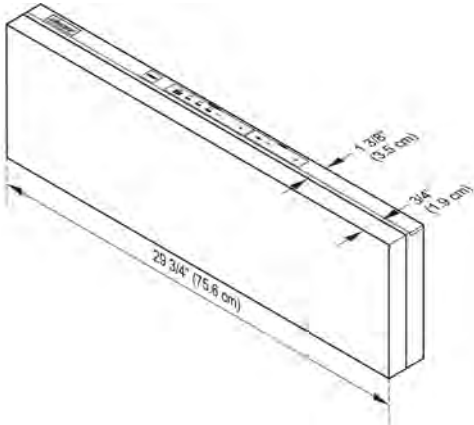
Model No.	(A) Chassis Face Width	(B) Chassis Width	(C) Chassis Depth	(D) Drawer Depth (without panel)	(D) Drawer Depth (with panel)	(E) Chassis Height (with feet)
DWR30M977	29 5/8" (75.2 cm)	27 7/8" (70.8 cm)	20 15/16" (53.1 cm)	19 3/4" (50.2 cm)	20 1/2" (52.1 cm)	9 3/4" (24.8 cm)

Installation Requirements

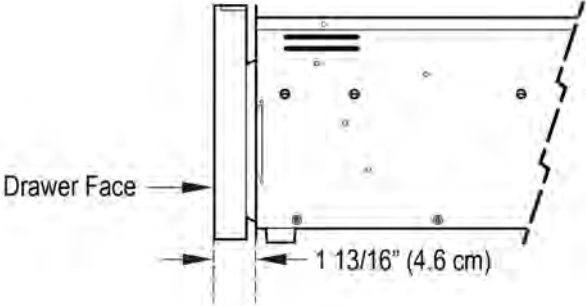
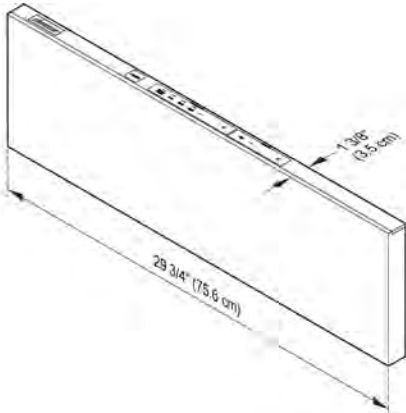
Drawer and Chassis dimensions



Drawer for WIP Model without Front Panel Attached



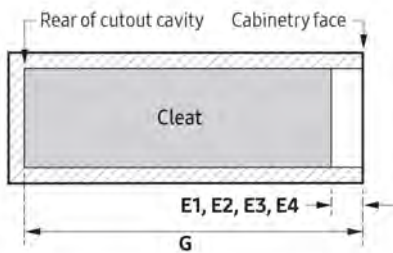
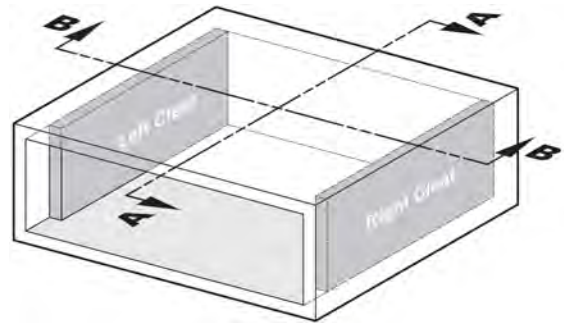
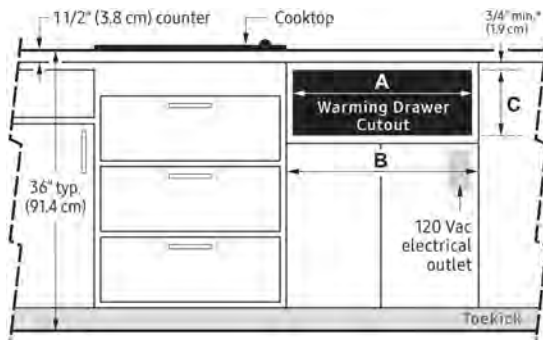
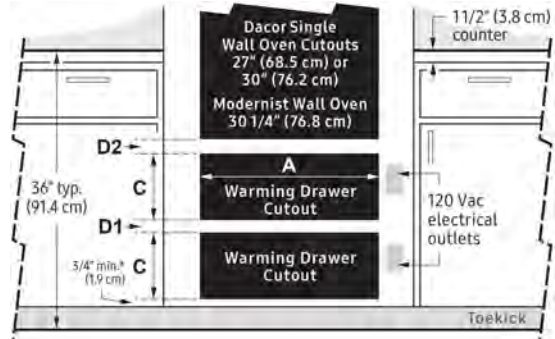
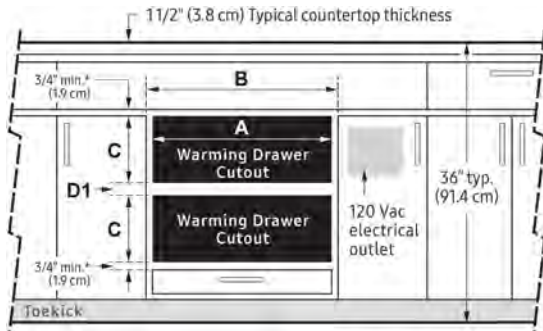
Drawer for WIP Model with Front Panel Attached



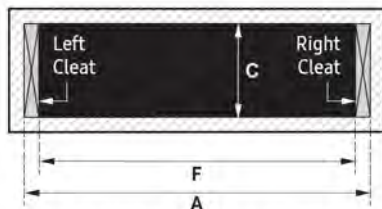
Drawer for WIM and WIS Models

Installation Requirements

Cutout & Cleat dimensions



Section AA (left-side view)



Section BB (front view)

Measurement	DWR30M977
(A) Cutout Width	30 1/4" (76.8 cm)
(B) Min. Width to Adjacent Doors/Drawer	30 1/4" (76.8 cm)
(C) Cutout Height	10 1/2" (26.7 cm)
(D1) Min. Vertical Gap Betw. Warming Drawer Cutouts	1 1/4" (3.2 cm)
(D2) Min. Vertical Gap Betw. Dacor Wall Oven	1 1/2" (3.8 cm)
(E1) Flush to Drawer Front (see page 16)	1 5/64" (2.7 cm)
(E2) Flush to Cab't Frame / Drawer with Panel Flush to Drawer Front (see page 17)	1 53/64" (4.6 cm)
(E3) Drawer with Panel Flush to Cab't Frame (see page 18)	2 37/64" (6.5 cm)
(E4) Drawer with Oversized Panel (see page 18)	1 37/64" (4.0 cm)
(F) Min. Width Inside Cleats	28" (71.0 cm)
(G) Min. Cutout Depth	24" (61.0 cm)

Installation Instructions

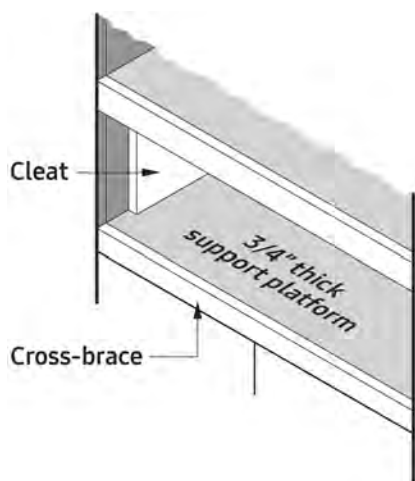
Install support platform in cabinet

Provide a platform (100 lb. load capacity) within the cabinet to support the unit. The platform must be level, straight, and flush with the crossbrace at the front of the cutout. (See the graphic.) The unit cannot be leveled after installation. 3/4" (1.9 cm) thick plywood is recommended.

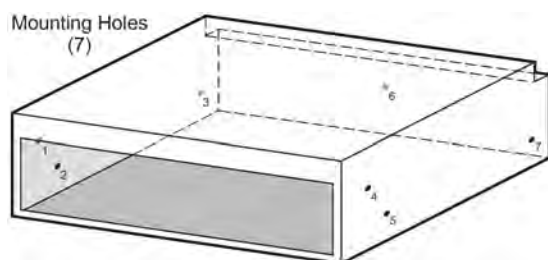
NOTE

If the unit is not level, the drawer may slide open on its own or may not seal tightly, compromising performance.

Securing the warming drawer to the cabinet



1. Plug in the unit.
2. (Taking care not to kink/bunch the power cord) Insert the chassis in the cutout until the back of the faceplate stops at the cleats.
3. Keeping the chassis centered side to side, attach inner cabinet side screws starting with mounting hole #1 through mounting Hole #7. (See the graphic below.)
4. Insert the drawer in the chassis.



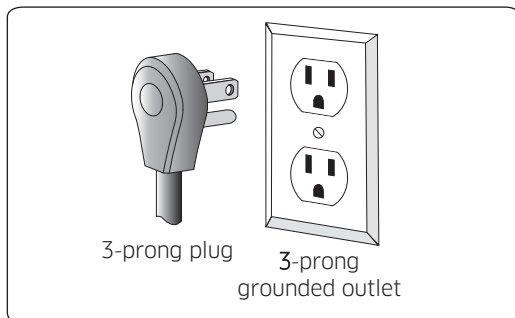
Electrical Connection

WARNING

Electrical Shock Hazard

IMPORTANT: The unit has a 3-prong grounding plug to prevent possible electric shock. If a dedicated, grounded, 3-prong outlet is unavailable, the owner must have one installed. To avoid an electric shock hazard, **DO NOT:**

- Remove the cord's third (ground) prong
- Use an adapter plug
- Use a worn/damaged cord
- Immerse the cord or plug in liquid
- Connect the appliance to an extension cord
- Use a ground fault interrupter (GFI).



- Minimum ambient operating temperature: 32°F (0°C).
- The correct voltage, frequency, and amperage (see the product data label, interior drawer face) must be supplied to the outlet from a grounded, single-phase circuit protected by a properly sized circuit breaker or time-delay fuse.
- The power-supply requirements on pg. 12 are for reference only. If they do not agree with those on the data label, go by the data on the label.

Installation Instructions

Nominal Electrical-Supply Requirements

120 Vac, 60 Hz, 15 Amp., dedicated circuit

The unit comes with a 40" (101.6 cm) power cord with a 3-prong grounded plug.

Total Connected Load: 0.5 kW (4 Amp.)

- The owner shall ensure that a qualified electrician performs the installation, which must comply with the latest revision of the National Electric Code ANSI/NFPA 70, and local codes and ordinances.
- If the home's electrical service does not meet product specifications or does not conform to the NEC or local standards, do not proceed until a licensed electrician upgrades the electrical service.
- Ensure the outlet is easily accessible so the unit may be unplugged for service.
- Keep the power cord away from hot surfaces.

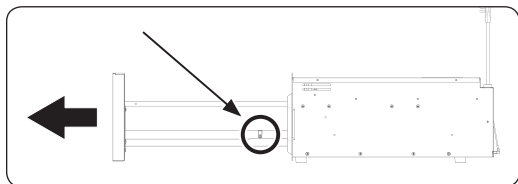
Remove and Re-Insert Drawer

WARNING

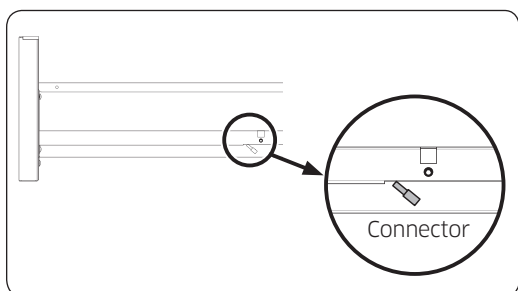
- To avoid personal injury caused by the unit being pulled from its cutout when the drawer is opened, secure the chassis to the cabinet as instructed. (See pg. 10.)
- Remove the drawer before securing the unit to the cabinet cutout.
- Unplug the unit before removing the drawer.

Installation Instructions

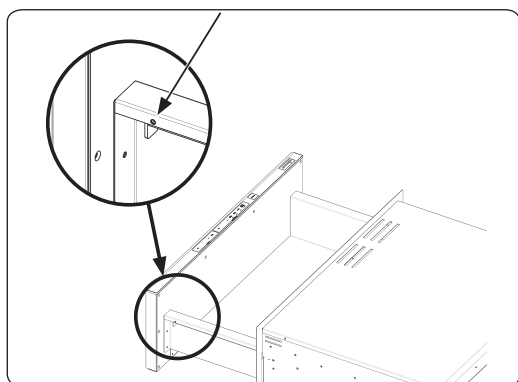
Remove the drawer from the appliance



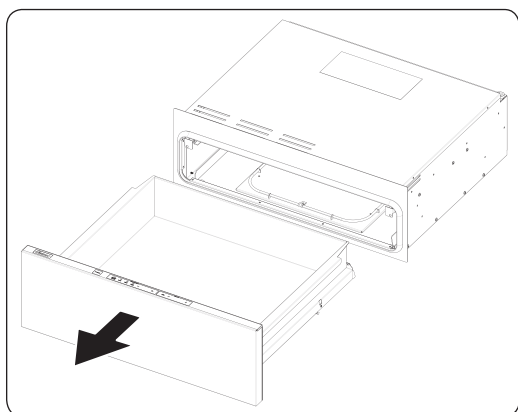
1. Open the drawer fully, and remove the clamp screw.



2. Extract the clamp, and detach the connector.

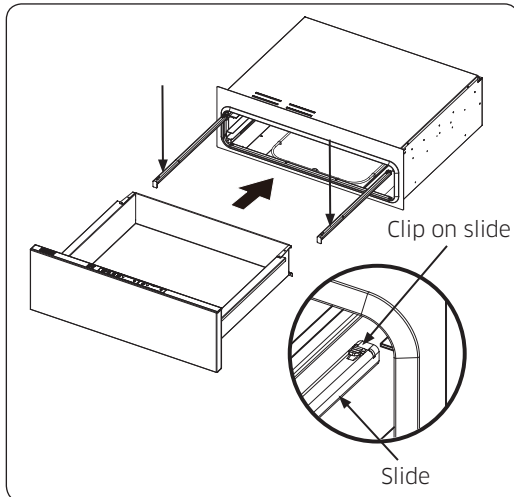


3. Remove the screw from the Drawer (both sides), near the front.

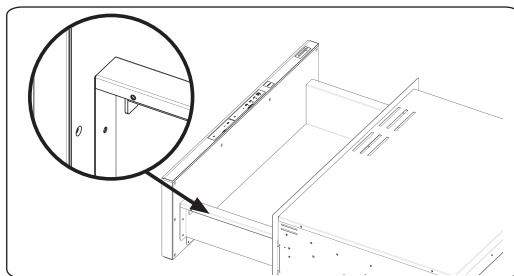


4. Remove the drawer from the chassis.

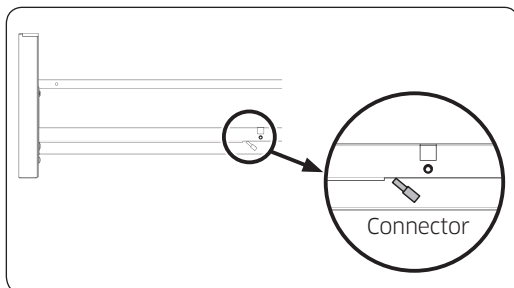
Re-installing the drawer



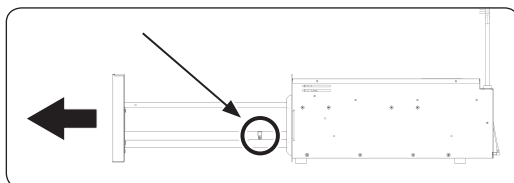
1. Extend both rails, and pull out the cable (right side) so the connector hangs outside the frame. Put the drawer on both rails, and slide it in until it engages under the rails' rear clips.



2. Fasten the screws on both sides.



3. Re-attach the connector, and feed it into the cable cover.

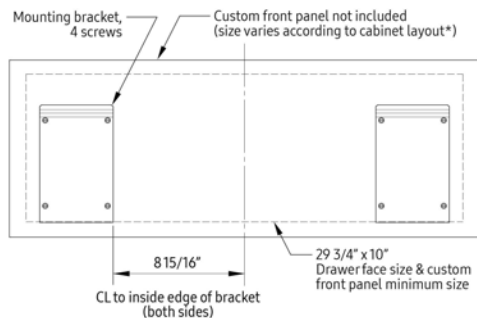


4. With the cable under the cable cover, insert the clamp through the square hole, and fasten the screw.
5. Plug in the unit.

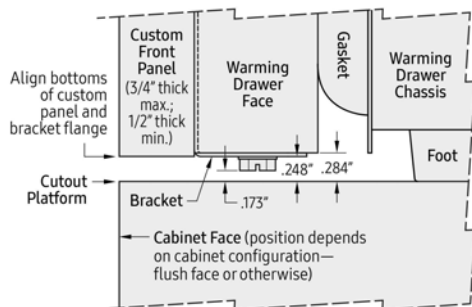
Installation Instructions

Installing the Custom Front Panel

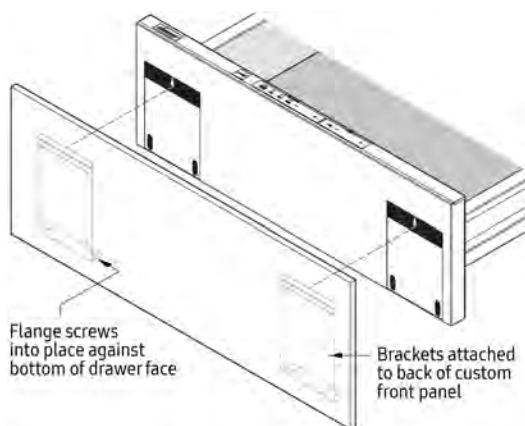
This section instructs you how to attach the custom front panel to the warming-drawer face. The panel must be at least 1/2" thick to accommodate the length of the provided screws.



Bracket Location (rear view)



Minimum Clearances (side view)



1. On the back of the custom panel, locate the vertical centerline.
2. Measure 8-15/16" from the centerline in both directions, and mark each position with a vertical guideline, ensuring each guideline is square with the panel edges. These measurements locate the inside edges of each mounting bracket.
*Recommended panel size 30" x 10- 1/8"

3. Using the clearance figures in the graphic at left, locate the position of the bottom edge of the brackets, and mark the position of each bracket.
4. Align each bracket with your guidelines, and attach them with the provided screws. (See the graphic, upper left.)

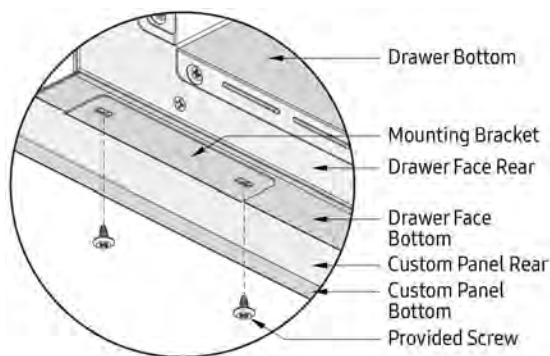
⚠ IMPORTANT

Attach the brackets so that when you attach the custom front panel to the warming-drawer face, there is enough of a gap below the panel to close the drawer properly.

5. Hold the custom front panel so the brackets align with the indentations on the drawer face, and press the panel against the drawer face.
6. Slide the panel up so the bracket tops engage the metal skin of the drawer face. (This may take some effort; the brackets should hold the panel in place; however, take care that the panel does not fall.)

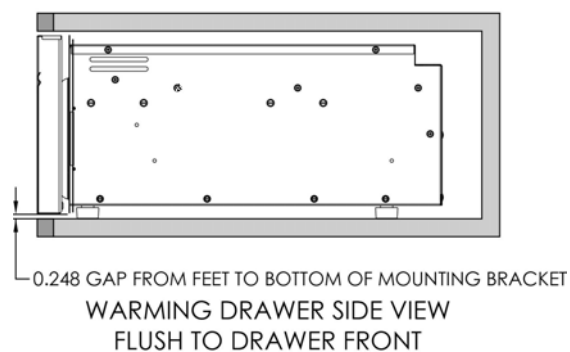
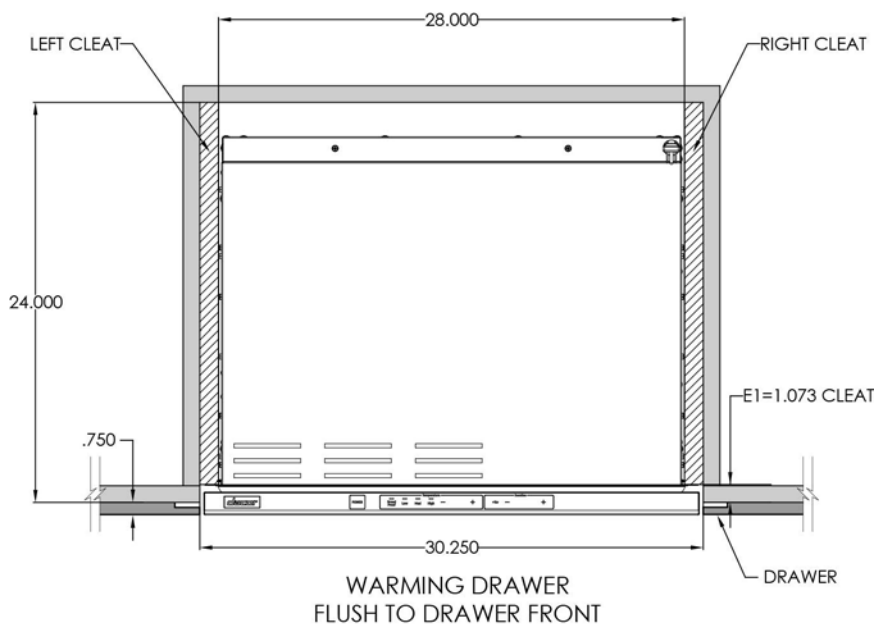
Installation Instructions

Installing the Custom Front Panel, cont.

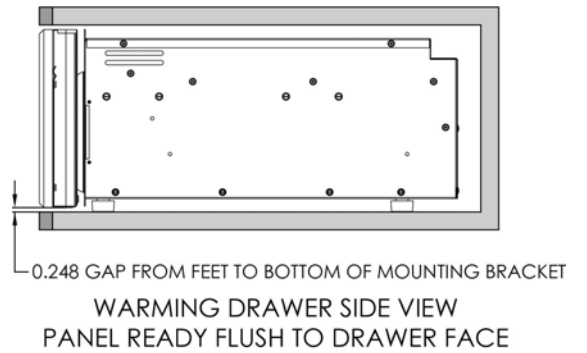
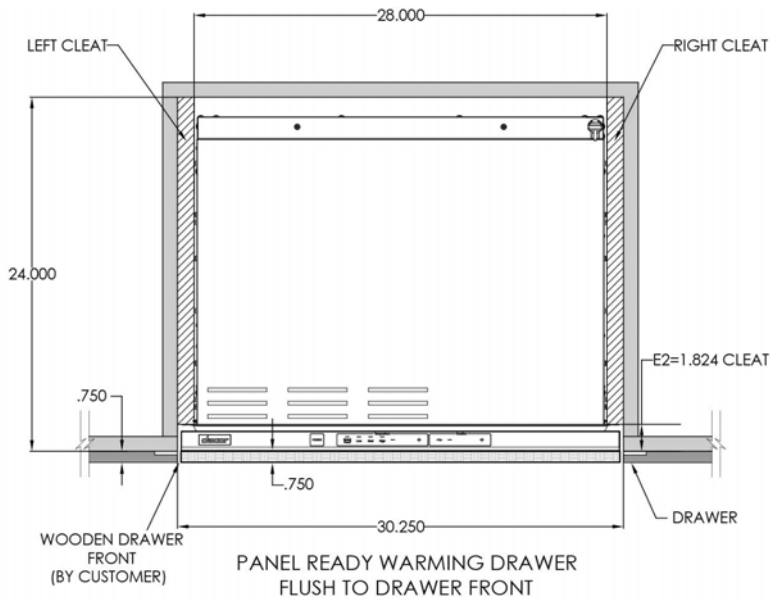
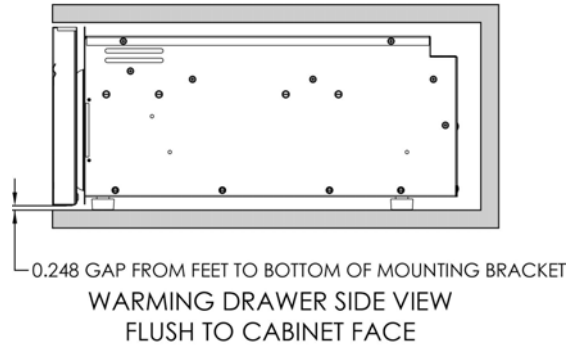
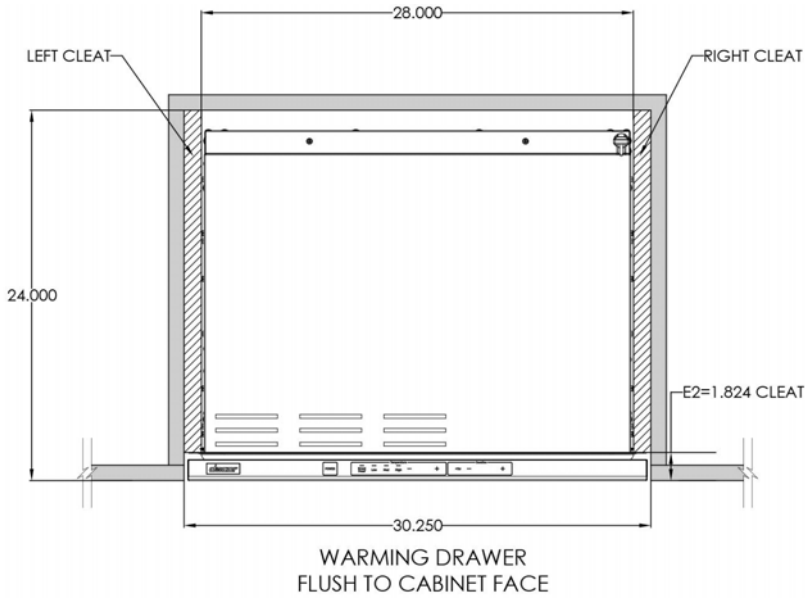


Bracket to Drawer Face (bottom view)

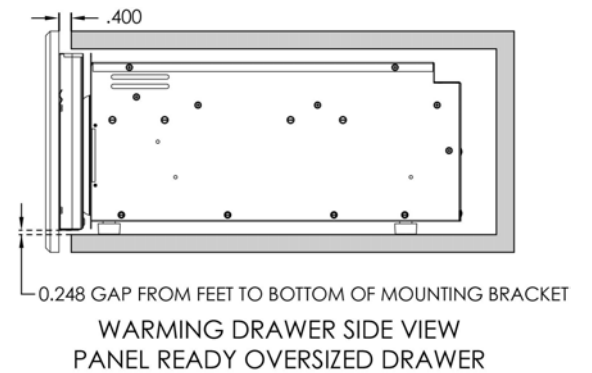
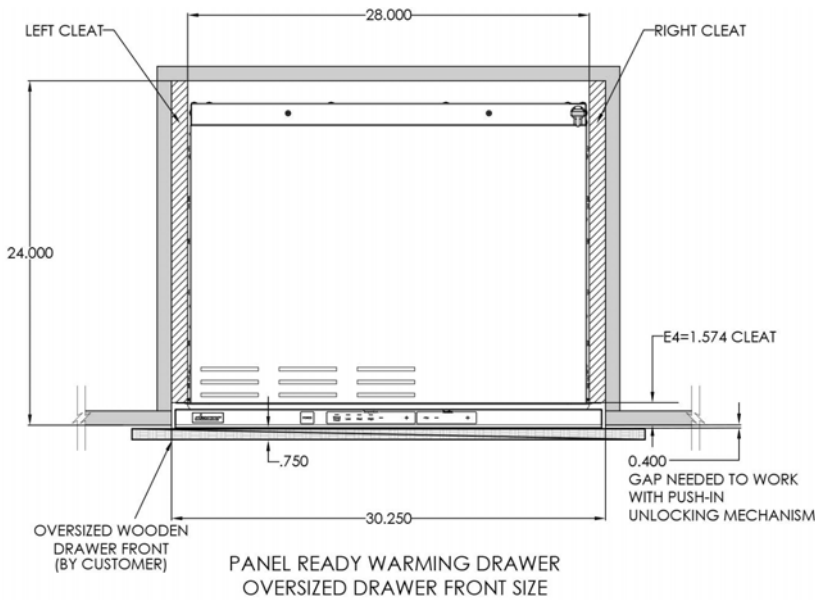
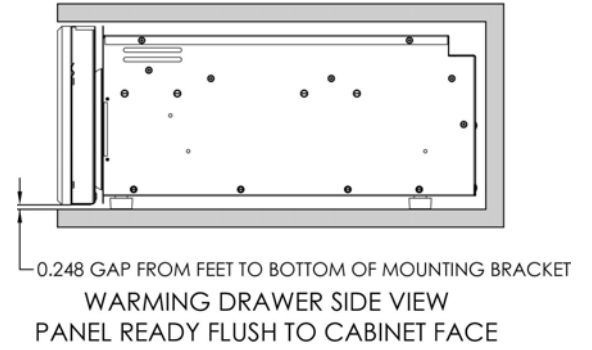
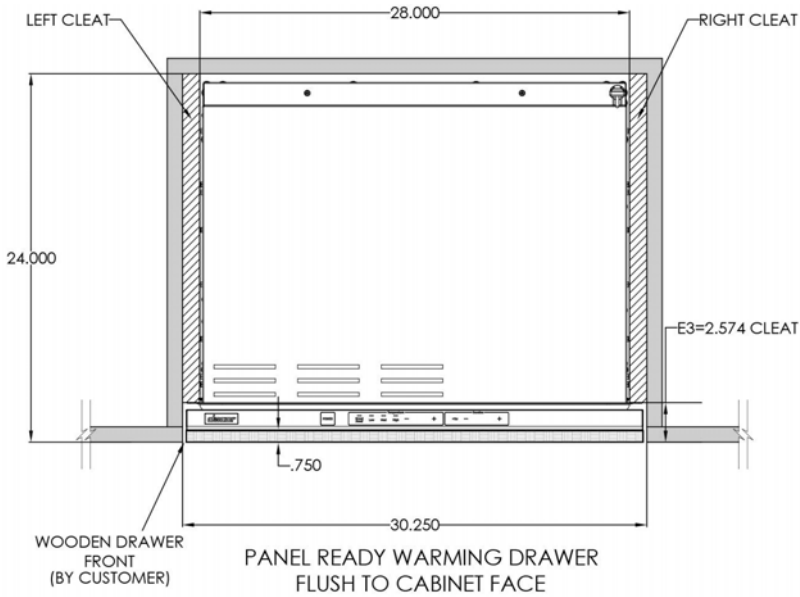
7. Verify that the screw holes in the brackets and the drawer face align properly.
8. Carefully center the panel side to side if needed. (Some leeway is designed into the product to allow for minor side-to-side adjustment.)
9. Before permanently attaching the custom panel, close the drawer to verify that it will seat properly in the cabinetry, and adjust the panel if needed.
10. Screw the custom front panel into place on the drawer face with the provided screws.



Installation Instructions



Installation Instructions



Installation Instructions

Verify warming drawer operation



1. Plug in the unit.
2. Open the drawer, and on the control panel, press **POWER**.
3. (**Temperature** section) One after the other, press **Bread Proof**, **Low**, **Med**, and **High**. As you press each function, the indicator above it should light.
4. Leave the control panel set to **High**.
5. (**Duration** section) Press **-**, **+**, and **+1hr**. Verify that the timer display is correct.
6. In 5 – 10 minutes, you should feel heat from the drawer interior.
7. Having determined that the heating element works, press **POWER** to shut off the unit.
 - If the unit does not operate properly, verify that the circuit breaker is on and the unit is plugged in, then repeat the above procedure.
 - If the unit still does not work, contact an authorized Dacor servicer: (800) 793-0093.
 - Do not try to repair the unit yourself. Dacor is not responsible for service required to correct a faulty installation.

dacor[®]

Dacor • 14425 Clark Avenue, City of Industry, CA 91745 • Phone: (800) 793-0093 • Fax: (626) 403-3130 • www.dacor.com