



30" INTEGRATED PUSH-TO-OPEN WARMING DRAWER

DWR30M977WI



AVAILABLE MODELS

- DWR30M977WIM Graphite Stainless Steel
- DWR30M977WIS Stainless Steel
- DWR30M977WIP Panel-Ready

SPECIFICATION DETAILS

EXTERIOR FINISH	PANEL-READY, GRAPHITE, SILVER STAINLESS STEEL
OVERALL WIDTH	29 5/8"
OVERALL DEPTH	22 5/16"
OVERALL HEIGHT	10 1/4"
CUT OUT WIDTH	30 1/4"
CUT OUT DEPTH	24" (FLUSH TO DRAWER FRONT)
DRAWER CAPACITY	1.42 CU. FT.
UTILITY LOCATIONS	RIGHT REAR ADJACENT CABINET OR BELOW INSTALLATION AREA
ELECTRICAL REQUIREMENTS	120V, 60HZ
TOTAL CONNECTED LOAD	4.0 AMP@120VAC, 60HZ
TOTAL AMPS	15 AMPS
SHIPPING WEIGHT	70 LBS

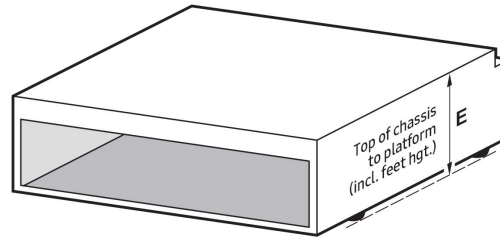
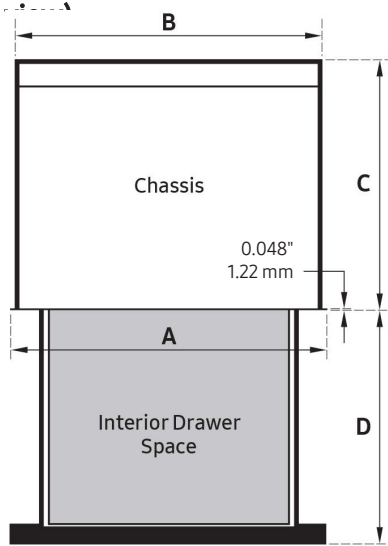
FEATURES & BENEFITS

- Electronic Control Panel
- One-Touch Push-to-Open Drawer
- Wide Temperature Ranges for various dishes
- Recommended installation with 3/4" custom panel
- Preset Modes - Proof, Low, Medium and High
- Anti-slip Mat
- 500 Watt Heating Element
- Approved for installation under Dacor wall ovens, microwaves, cooktops and in under counter applications.

WARMING DRAWER DIMENSIONS

(A) Chassis Face Width Width	(B) Chassis Width	(C) Chassis Depth	(D) Drawer Depth (without panel)	(D) Drawer Depth (with panel)	(E) Chassis Height (with feet)
29 5/8" (75.2 cm)	27 7/8" (70.8 cm)	20 15/16" (53.1 cm)	19 3/32" (48.5 cm)	19 27/32" (50.4 cm)	9 3/4" (24.8 cm)

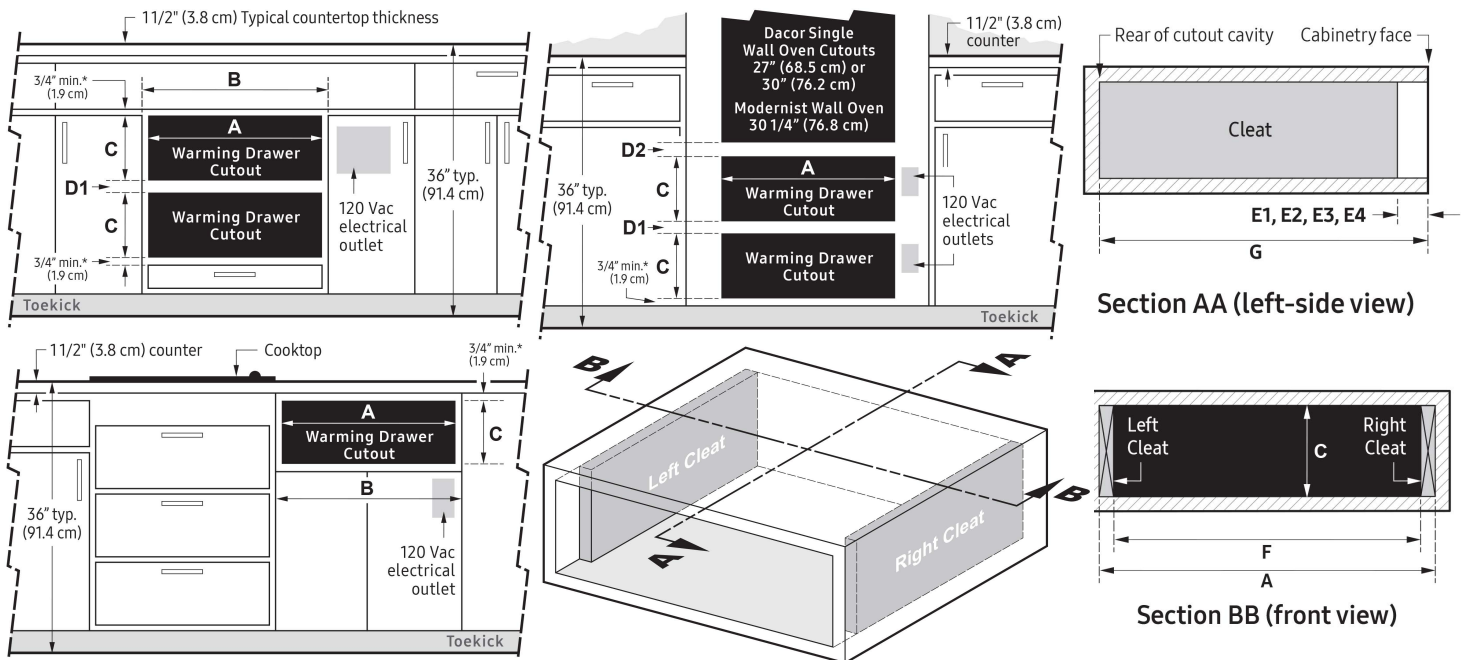
Overall dimensions (top)



Chassis(drawer removed)

CUTOUT DIMENSIONS

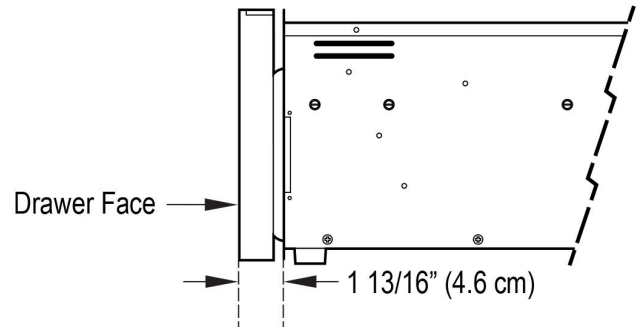
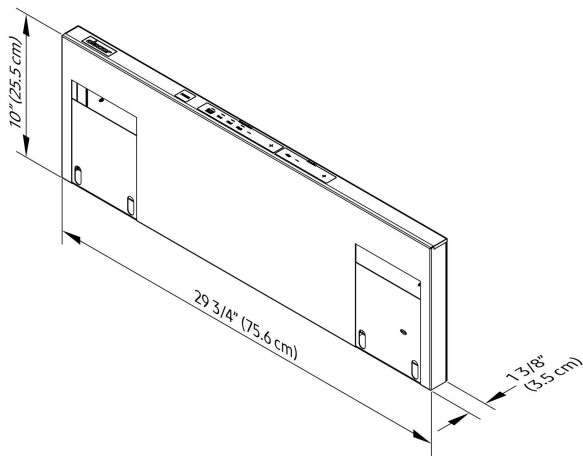
(A) Cutout Width	(B) Min. Width to Adjacent Doors/Drawer	(C) Cutout Height	(D1) Min. Vertical Gap Betw. Warming Drawer Cutouts	(D2) Min. Vertical Gap Betw. Dacor Wall Oven	(E1)* Flush to Drawer Front	(E2)** Flush to Cab't Frame / Drawer with Panel Flush to Drawer Front	(E3) Drawer with Panel Flush to Cab't Frame	(E4) Drawer with Oversized Panel	(F) Min. Width Inside Cleats	(G) Min. Cutout Depth
30 1/4" (76.8 cm)	30 1/4" (76.8 cm)	10 1/2" (26.7 cm)	1 1/4" (3.2 cm)	1 1/2" (3.8 cm)	15 5/64" (2.7 cm)	15 3/64" (4.6 cm)	2 37/64" (6.5 cm)	1 37/64" (4.0 cm)	28" (71.0 cm)	E1: 24" (61.0 cm); E2: 24 7/8" (63.2 cm) to 25" (63.5 cm)



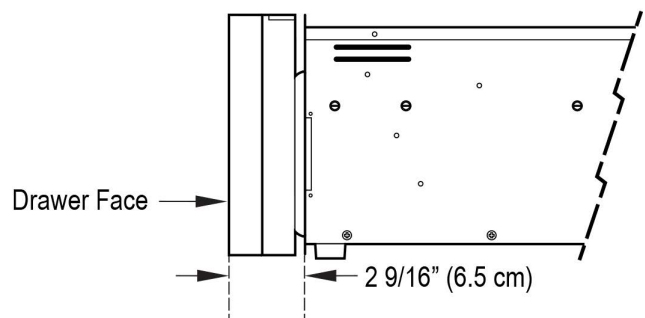
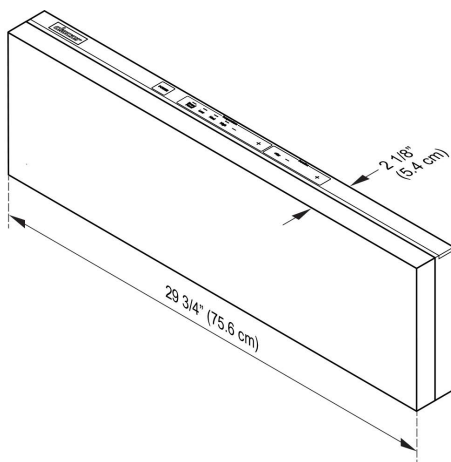
*Dimension with 11/16" in. (1.75 cm) appliance face to cabinet frame face; adjust (E1) depth for a different cabinet

**Requires cabinet depth dimension "G" to be 24 3/4" (62.9 cm)

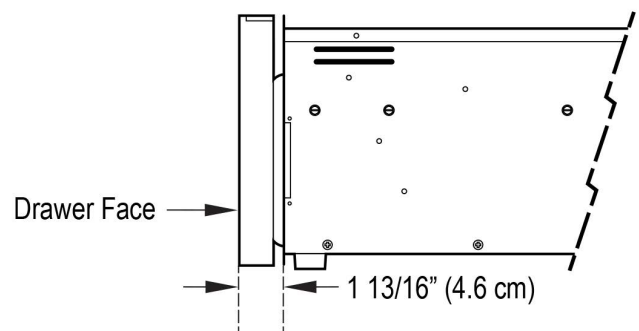
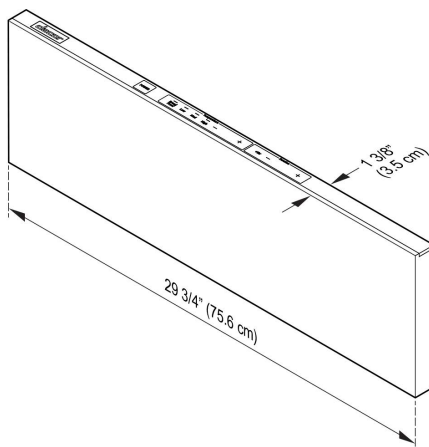
PANEL DIMENSIONS



Drawer for WIP Model without Front Panel



Drawer for WIP Model with Front Panel Attached



Drawer for WIM and WIS Models