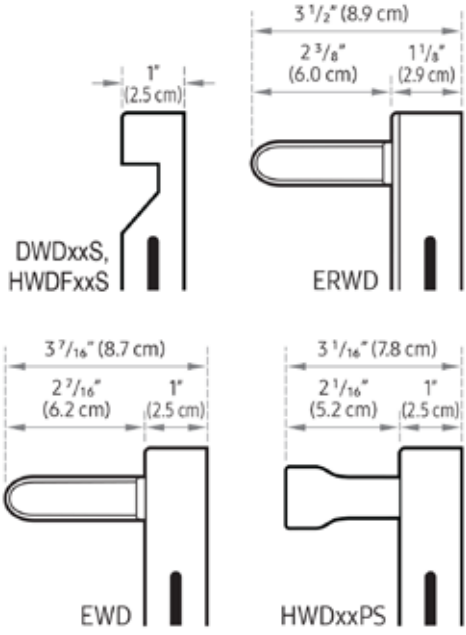




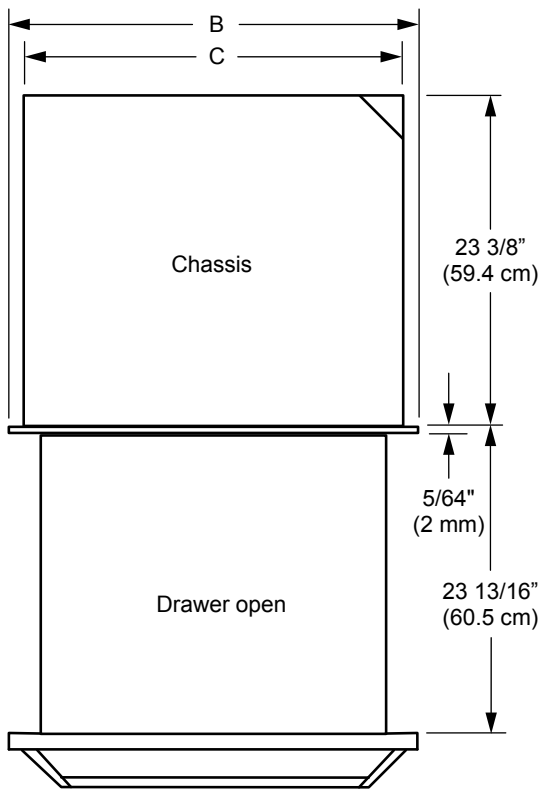
24", 27", 30", 36" Wide Heritage Warming Drawers

PLANNING GUIDE

Handle Dimensions (side)



Overall Dimensions (top view)



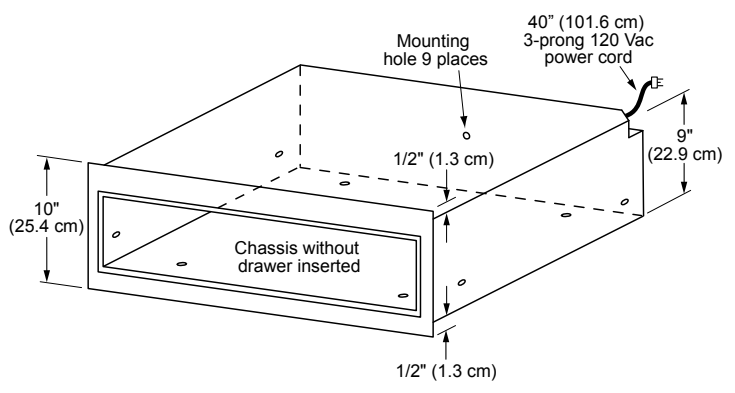
⚠ WARNING

- Observe all local ordinances during planning and installation. Contact your local building department for details.
- The drawer must be installed according to its installation instructions.

| Electrical Circuit Required | Total Connected Load | Min. Ambient Operating Temp. |
|---|----------------------------|------------------------------|
| 120 Vac, 60 Hz, 15 Amp. grounded, dedicated circuit | 4.0 Amp. @ 120 Vac, 60 Hz. | 32°F (0°C) |

Drawer face heights are 10 1/8" (25.7 cm) x Width dimension (A); see **Warming Drawer Overall Dimensions** table (below) for "A" dimensions for all drawer models

Chassis Dimensions



| Warming Drawer Overall Dimensions* (see left) | | | |
|--|-----------------------|------------------------|-------------------|
| Model | (A) Drawer Face Width | (B) Chassis Face Width | (C) Chassis Width |
| EWD24 HWD24PS | 24" (61.0 cm) | 23 5/8" (60.0 cm) | 22 1/4" (56.5 cm) |
| ERWD27 EWD27 HWD27PS | 27" (68.6 cm) | 26 5/8" (67.6 cm) | 25 1/4" (64.1 cm) |
| DWD30 ERWD30 EWD30 HWD30PS HWDF30S | 30" (76.2 cm) | 29 5/8" (75.2 cm) | 28 1/4" (71.8 cm) |

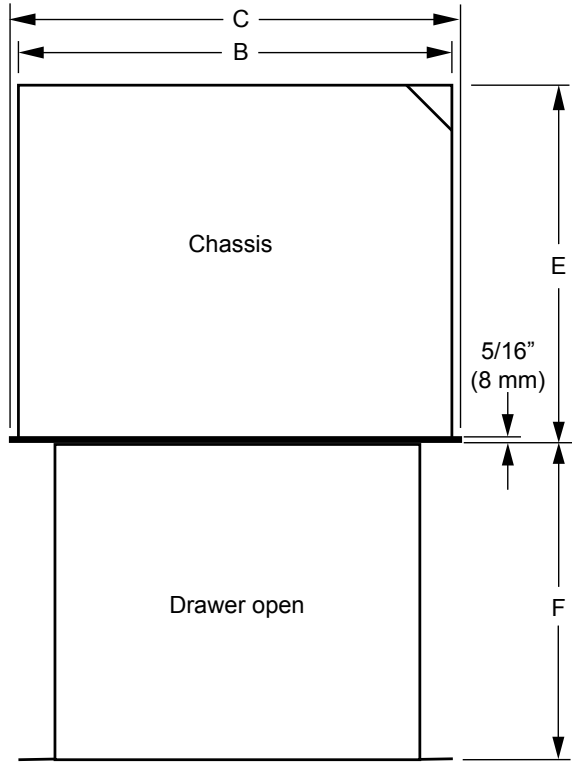
*See Pg. 2 for IWD & OWD series chassis dimensions



24", 27", 30", 36" Wide Heritage Warming Drawers

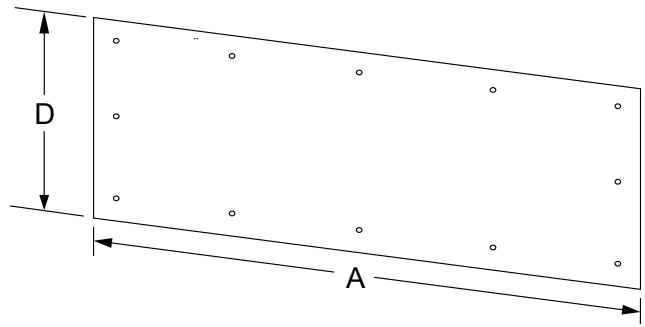
PLANNING GUIDE

Overall Dimensions—IWD/OWD (top view)

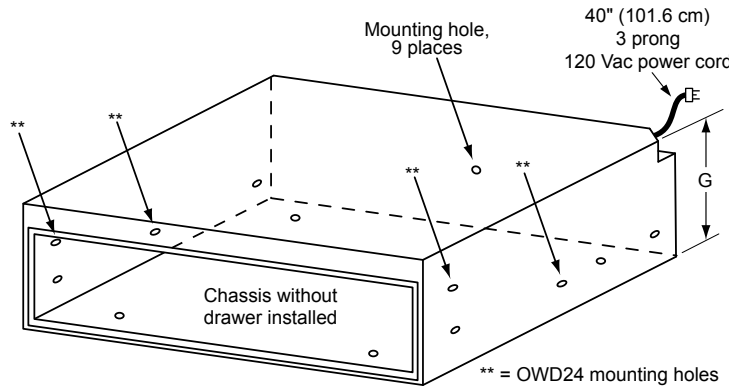


| Electrical Circuit Required | Total Connected Load | Min. Ambient Operating Temp. |
|---|----------------------------|------------------------------|
| 120 Vac, 60 Hz, 15 Amp. grounded, dedicated circuit | 4.0 Amp. @ 120 Vac, 60 Hz. | 32°F (0°C) |

Drawer Face Dimensions—IWD/OWD



Chassis Dimensions—IWD/OWD



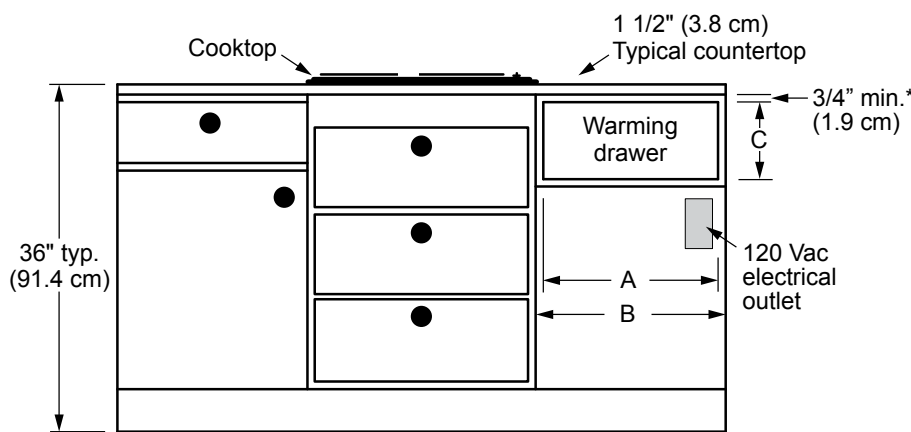
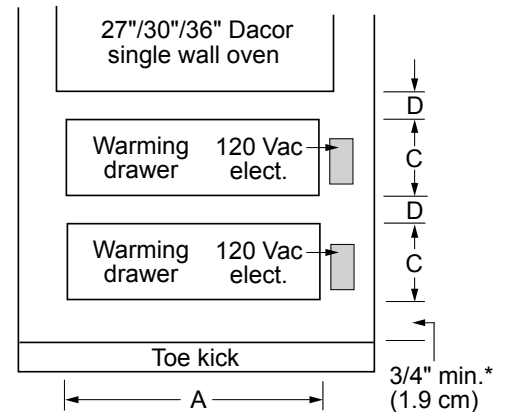
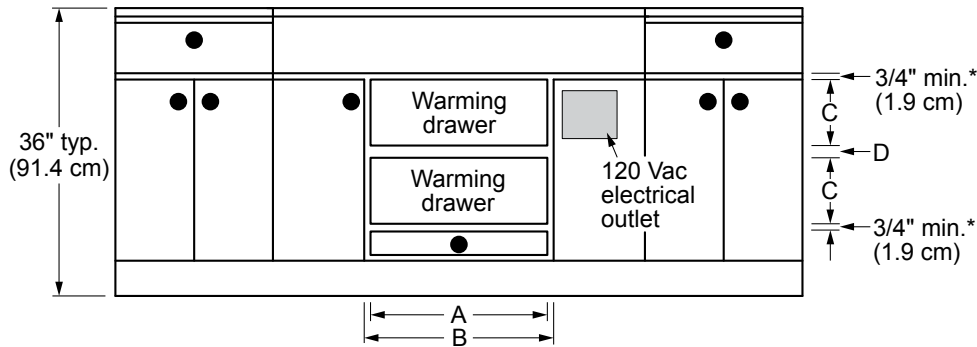
Warming Drawer Overall Dimensions—IWD/OWD (see above graphics)

| Model | A (Drawer Face Width) | B (Chassis Width) | C (Chassis Face Width) | D (Drawer Face Height) | E (Chassis Depth) | F (Drawer Depth) | G (Chassis Height) |
|-------|-----------------------|-------------------|------------------------|------------------------|-------------------|---------------------|--------------------|
| IWD24 | 22 5/16" (56.7 cm) | 22 1/4" (56.5 cm) | 22 3/8" (56.8 cm) | 8 15/16" (22.7 cm) | 23 3/8" (59.4 cm) | 23 13/16" (60.5 cm) | 9 1/16" (23.0 cm) |
| IWD27 | 25 5/16" (64.3 cm) | 25 1/4" (64.1 cm) | 25 3/8" (64.5 cm) | | | | |
| IWD30 | 28 5/16" (71.9 cm) | 28 1/4" (71.8 cm) | 28 3/8" (72.1 cm) | | | | |
| OWD24 | 22 1/2" (57.1 cm) | 22 1/2" (57.1 cm) | 22 1/2" (57.1 cm) | 11 7/8" (30.2 cm) | 20" (50.8 cm) | 18" (45.7 cm) | 11 7/8" (30.2 cm) |



24", 27", 30", 36" Wide Heritage Warming Drawers

PLANNING GUIDE



| Model | (A) Cutout Width | (B) Min. Width to Adjacent Doors/Drawers | (C) Cutout Height | (D) Min. Vertical Gap Between Cutouts | Min. Cutout Depth |
|-----------|-------------------|--|---------------------|---------------------------------------|-------------------|
| DWD30 | 28 1/2" (72.4 cm) | 30 1/4" (76.8 cm)* | 9 1/8" (23.2 cm) | 1 1/4" (3.2 cm)* | 24" (61.0 cm) |
| EWD24 | 22 1/2" (57.2 cm) | 24 1/4" (61.6 cm)* | | | |
| EWD27 | 25 1/2" (64.8 cm) | 27 1/4" (69.2 cm)* | | | |
| EWD30 | 28 1/2" (72.4 cm) | 30 1/4" (76.8 cm)* | | | |
| ERWD27 | 25 1/2" (64.8 cm) | 27 1/4" (69.2 cm)* | | | |
| ERWD30 | 28 1/2" (72.4 cm) | 30 1/4" (76.8 cm)* | | | |
| HWD24PS | 22 1/2" (57.2 cm) | 24 1/4" (61.6 cm)* | | | |
| HWD27PS | 25 1/2" (64.8 cm) | 27 1/4" (69.2 cm)* | | | |
| HWD30PS | 28 1/2" (72.4 cm) | 30 1/4" (76.8 cm)* | | | |
| HWDF30S | 28 1/2" (72.4 cm) | 30 1/4" (76.8 cm)* | | | |
| IWD24 | 22 1/2" (57.2 cm) | ** | 9 1/8" (23.2 cm) | 1 1/16" (2.7 cm) | 20 1/8" (51.1 cm) |
| IWD27 | 25 1/2" (64.8 cm) | ** | | | |
| IWD30 | 28 1/2" (72.4 cm) | ** | | | |
| OWD24**** | 22 5/8" (57.5 cm) | 24 1/4" (61.6 cm)*** | 11 15/16" (30.3 cm) | NA | 20 1/8" (51.1 cm) |

*Minimum spacing for ventilation and to avoid scraping on DWD, ERW, EWD models; **IWD models or OWD24 without optional front-panel kit: Chassis and drawer faceplate are smaller than cutout; custom front panel mounts to drawer faceplate; height and width of custom front panel must exceed cutout dimensions (A, C above) to cover hole; allow 1/4" minimum added space on top, bottom, and sides from the custom front panel edge to avoid scraping adjacent doors, drawers, and countertop; ***OWD24 with optional factory front-panel kit only; minimum spacing shown to avoid scraping; gap above and below cutout is 3/4" min. (See ** above for OWD24 with custom front panel); ****OWD24 cannot be installed above/below/adjacent to any model wall oven or warming drawer.