



24" WARMING DRAWER PRO HANDLE

HWD24PS



AVAILABLE MODELS

HWD24PS 24" Warming Drawer Pro Handle, Silver Stainless

GENERAL PROPERTIES

FINISH	SILVER STAINLESS STEEL
--------	------------------------

TECHNICAL INFORMATION

ELECTRICAL REQUIREMENTS	120V/60HZ
TOTAL CONNECTED LOAD	120V/60HZ/15A
TOTAL AMPS	4 AMPS
UTILITY LOCATIONS	RIGHT REAR ADJACENT CABINET OR BELOW INSTALLATION AREA

PRODUCT DIMENSIONS

APPLIANCE DIMENSIONS (W X H X D) (IN.)	24" X 10 1/8" X 24 29/64"
CUT OUT DIMENSIONS (W X D) (IN.)	22 1/2" X 24" DEPTH MINIMUM
DRAWER CAPACITY	1.33 CU. FT.

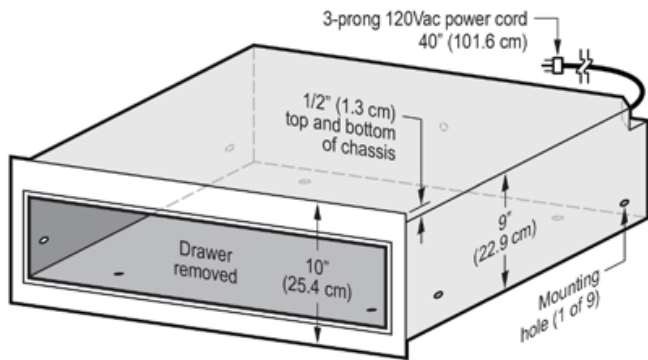
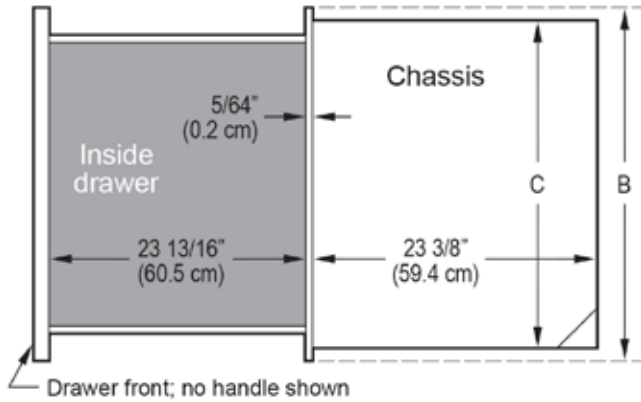


FEATURES & BENEFITS

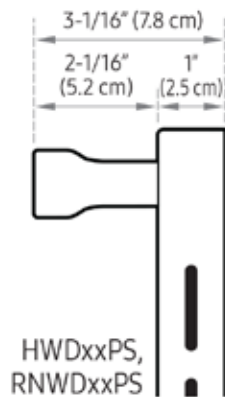
- Electronic Control Panel.
- Four Temperature Levels—Proof, Low, Medium and High (100-200°). Temperature will automatically set to the last temperature setting used when the drawer is turned on.
- Four Timer Settings—1, 2, 3 & 4 hours plus an infinite time mode which keeps the warming drawer on until you turn it off.
- The Infinite mode is very useful when you need the warming drawer on for extended periods of time like during parties and events or for use during the Sabbath.
- Blue LED Indicator lights.
- Large Capacity.
- 50 pound weight limit.
- Quick to heat with 500 watt heating element.
- Approved for installation under Dacor wall ovens, microwaves, cooktops and in under counter applications.

UNITS DIMENSIONS

MODEL	A Drawer Face Width	B Chassis Face Width	C Chassis Width
HWD24PS	24" (61.0 CM)	23 5/8" (60.0 CM)	22 1/4" (56.5 CM)



HANDLE DIMENSIONS



CUTOUT DIMENSIONS

MODEL	A	B	C	D	CUT OUT MIN.
HWD24PS	22 1/2"	24 1/4"	9 1/8"	1 1/4"	24"

CUTOUT DIMENSIONS

