



24" INTEGRATED WARMING DRAWER

IWD24



AVAILABLE MODELS

IWD24 24" Integrated Warming Drawer, panel-ready

GENERAL PROPERTIES

FINISH PANEL-READY

TECHNICAL INFORMATION

ELECTRICAL REQUIREMENTS 120V/60HZ

TOTAL CONNECTED LOAD 120V/60HZ/15A

TOTAL AMPS 4 AMPS

UTILITY LOCATIONS RIGHT REAR ADJACENT CABINET OR BELOW INSTALLATION AREA

PRODUCT DIMENSIONS

APPLIANCE DIMENSIONS (H X W X D) (IN.) 8 15/16" X 22 3/8" X 23 13/16"

CUT OUT DIMENSIONS (W X D) (IN.) 22 1/2" X 24" DEPTH MINIMUM

DRAWER CAPACITY 1.33 CU. FT.



Electronic Control Panel

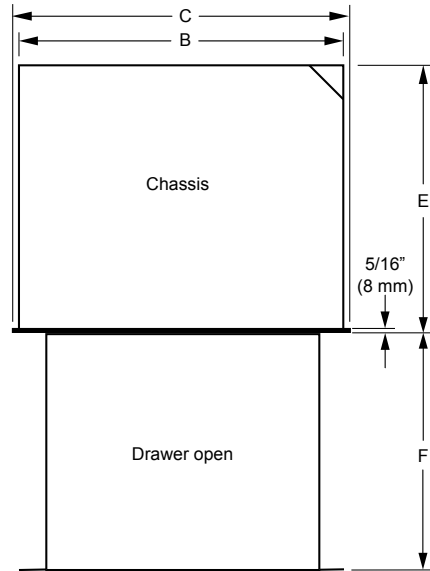
FEATURES & BENEFITS

- Electronic Control Panel.
- Four Temperature Levels—Proof, Low, Medium and High (100-200°). Temperature will automatically set to the last temperature setting used when the drawer is turned on.
- Four Timer Settings—1, 2, 3 & 4 hours plus an infinite time mode which keeps the warming drawer on until you turn it off.
- The Infinite mode is very useful when you need the warming drawer on for extended periods of time like during parties and events or for use during the Sabbath.
- Blue LED Indicator lights.
- Large Capacity.
- 50 pound weight limit.
- Quick to heat with 500 watt heating element.
- Approved for installation under Dacor wall ovens, microwaves, cooktops and in under counter applications.

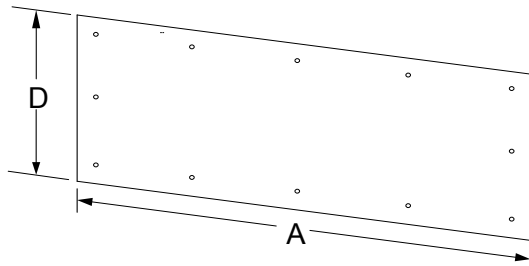
INTEGRATED UNITS DIMENSIONS

MODEL	A	B	C	D	E	F	G
IWD24	22 5/16"	22 1/4"	22 3/8"	8 15/16"	23 3/8"	23 13/16"	9 1/16"

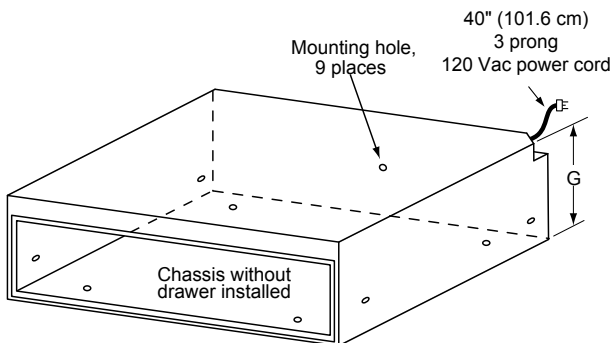
Overall Dimensions—IWD/OWD (top view)



Drawer Face Dimensions—IWD/OWD



Chassis Dimensions—IWD/OWD



- all specifications and information subject to change. please visit www.dacor.com for the most current product details and install information

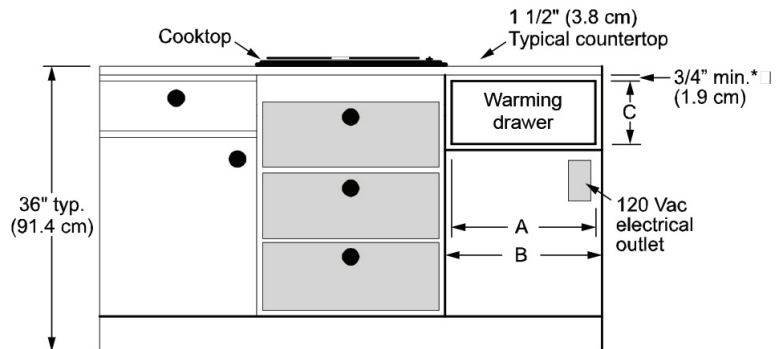
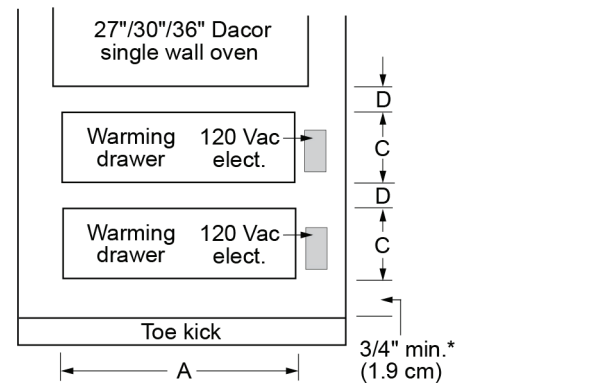
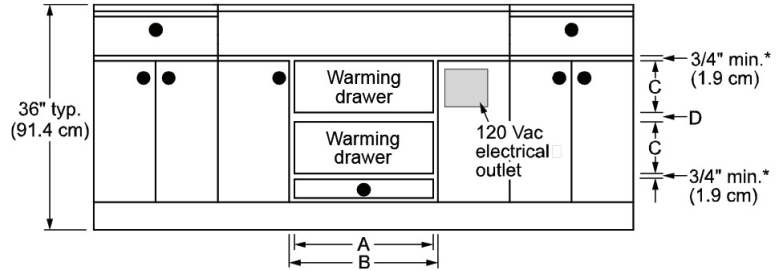
-Warranty: Limited , parts and labor for one year

INTEGRATED UNITS DIMENSIONS

MODEL	A	B	C	D	CUT OUT MIN.
IWD24	22 1/2"	**	9 1/8"	1 1/16"	24"

**IWD models without optional front-panel kit: Chassis and drawer faceplate are smaller than cutout; custom front panel mounts to drawer faceplate; height and width of custom front panel must exceed cutout dimensions (A, C above) to cover hole; allow 1/4" minimum added space on top, bottom, and sides from the custom front panel edge to avoid scraping adjacent doors, drawers, and countertop

CUTOUT DIMENSIONS



HANDLE DIMENSIONS

