



30" INTEGRATED WARMING DRAWER

IWD30



AVAILABLE MODELS

IWD30 30" Integrated Warming Drawer, panel-ready

GENERAL PROPERTIES

FINISH	PANEL-READY
--------	-------------

TECHNICAL INFORMATION

ELECTRICAL REQUIREMENTS	120V/60HZ
TOTAL CONNECTED LOAD	120V/60HZ/15A
TOTAL AMPS	4 AMPS
UTILITY LOCATIONS	RIGHT REAR ADJACENT CABINET OR BELOW INSTALLATION AREA

PRODUCT DIMENSIONS

APPLIANCE DIMENSIONS (H X W X D) (IN.)	8 15/16" X 28 3/8" X 23 13/16"
CUT OUT DIMENSIONS (W X D) (IN.)	28 1/2" X 24" DEPTH MINIMUM
DRAWER CAPACITY	1.73 CU. FT.



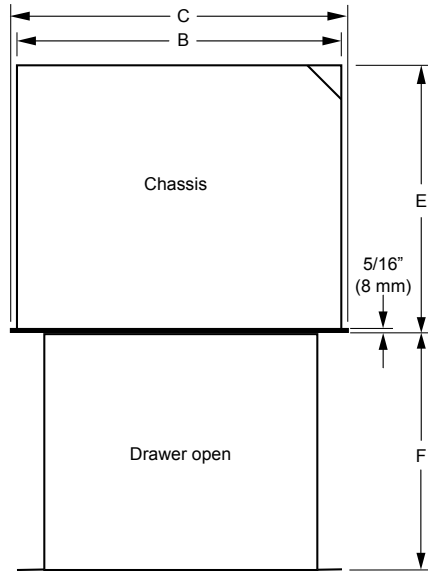
FEATURES & BENEFITS

- Electronic Control Panel.
- Four Temperature Levels—Proof, Low, Medium and High (100-200°). Temperature will automatically set to the last temperature setting used when the drawer is turned on.
- Four Timer Settings—1, 2, 3 & 4 hours plus an infinite time mode which keeps the warming drawer on until you turn it off.
- The Infinite mode is very useful when you need the warming drawer on for extended periods of time like during parties and events or for use during the Sabbath.
- Blue LED Indicator lights.
- Large Capacity.
- 50 pound weight limit.
- Quick to heat with 500 watt heating element.
- Approved for installation under Dacor wall ovens, microwaves, cooktops and in under counter applications.

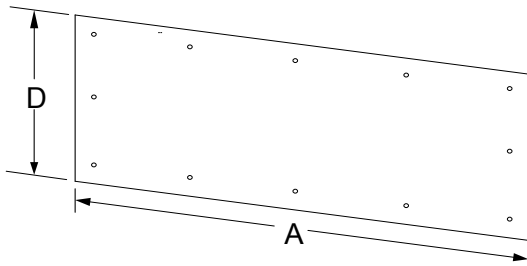
INTEGRATED UNITS DIMENSIONS

MODEL	A	B	C	D	E	F	G
IWD30	28 5/16"	28 1/4"	28 3/8"	8 15/16"	23 3/8"	23 13/16"	9 1/16"

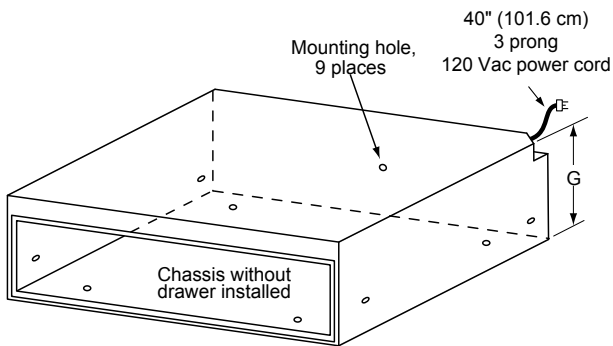
Overall Dimensions—IWD/OWD (top view)



Drawer Face Dimensions—IWD/OWD



Chassis Dimensions—IWD/OWD

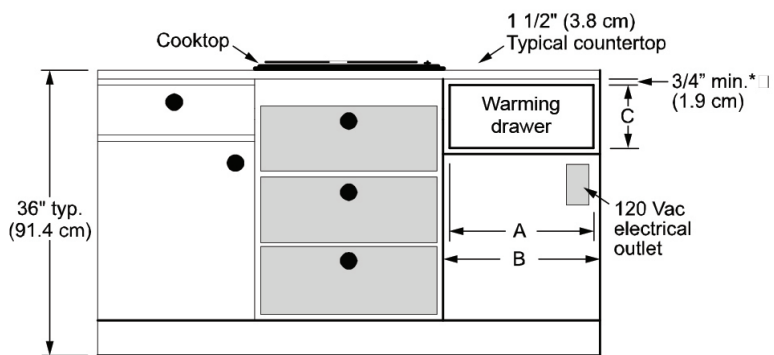
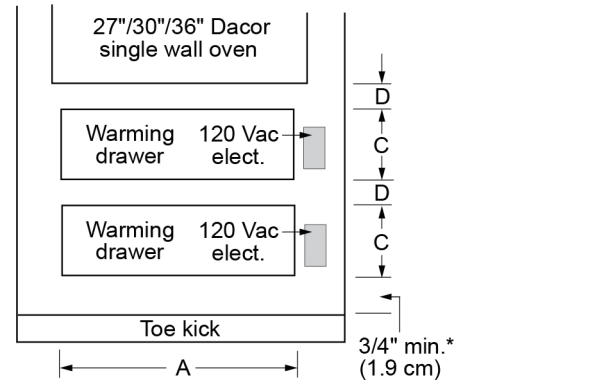
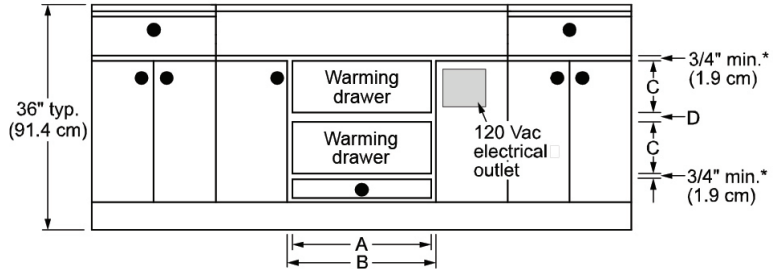


INTEGRATED UNITS DIMENSIONS

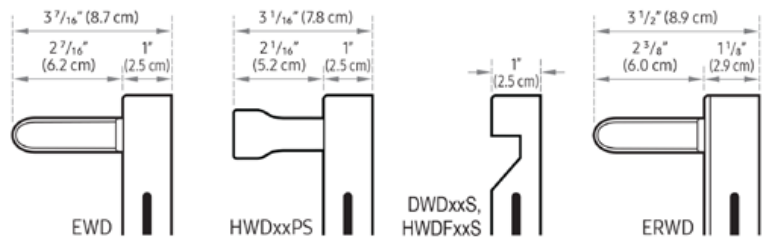
MODEL	A	B	C	D	CUT OUT MIN.
IWD30	28 1/2"	**	9 1/8"	1 1/16"	24"

**IWD models without optional front-panel kit: Chassis and drawer faceplate are smaller than cutout; custom front panel mounts to drawer faceplate; height and width of custom front panel must exceed cutout dimensions (A, C above) to cover hole; allow 1/4" minimum added space on top, bottom, and sides from the custom front panel edge to avoid scraping adjacent doors, drawers, and countertop

CUTOUT DIMENSIONS



HANDLE DIMENSIONS



- all specifications and information subject to change. please visit www.dacor.com for the most current product details and install information

-Warranty: Limited , parts and labor for one year