

dacor

Installation Manual

Dual Fuel Pro Range

DOP36*86D**

WARNING: If the information in this manual is not followed exactly, a fire or explosion may result causing property damage, personal injury or death.

- **DO NOT** store or use gasoline or other flammable vapors and liquids in the vicinity of this or any other appliance.
- **WHAT TO DO IF YOU SMELL GAS:**
 - DO NOT try to light any appliance.
 - DO NOT touch any electrical switch.
 - DO NOT use any phone in your building.
 - Immediately call your gas supplier from a neighbor's phone. Follow the gas supplier's instructions.
 - If you cannot reach your gas supplier, call the fire department.
- Installation and service must be performed by a qualified installer, service agency, or the gas supplier.

ANTI-TIP DEVICE



WARNING

ALL RANGES CAN TIP, RESULTING IN PERSONAL INJURY. TIPPING RANGES CAN CAUSE BURNS FROM SPILLS, PERSONAL INJURY, AND/OR DEATH. INSTALL AND CHECK THE ANTI-TIP BRACKET FOLLOWING THE INSTRUCTIONS AND TEMPLATE SUPPLIED WITH THE BRACKET.

- To prevent accidental tipping of the range, attach an approved anti-tip device to the floor. (See Installing the Anti-Tip Device in the Installation Instructions.) Check for proper installation by carefully tipping the range forward. The anti-tip device should engage and prevent the range from tipping over.
- If the range is pulled out away from the wall for any reason, make sure the anti-tip device is reengaged after the range has been pushed back into place.
- Follow the installation instructions found in the Installation Manual. Failure to follow these instructions can result in death, serious personal injury, and / or property damage.
- **DO NOT step / sit / lean** on the door or drawer to prevent accidental tipping of the range.

Contents

Before you begin	4
About this manual	4
Important safety information	4
Read all instructions before using this appliance	4
Symbols used in this manual	4
California Proposition 65 Warning	5
Commonwealth of Massachusetts	5
General safety	5
Fire safety	6
Gas safety	6
Electrical and grounding safety	7
Installation safety	7
Location safety	8
Cooktop safety	8
Oven safety	9
Self-cleaning oven safety	10
Gas range components	10
Dual Fuel range specifications	10
Installation requirements	12
Location requirements	12
Installation guide	13
To remove safely from the pallet	14
To avoid breakage	14
Gas requirements	15
Special gas requirements (gas models sold in Massachusetts)	16
Electrical requirements	16

Tools and materials	18
What's in the box	18
Installation instructions	19
Installing your Dual fuel Range	19

Before you begin

About this manual

Read these instructions completely and carefully.

Important note to the installer

- Read all instructions contained in these installation instructions before installing the range.
- Remove all packing materials from the oven compartments before connecting the electric and gas supply to the range.
- Observe all governing codes and ordinances.
- Be sure to leave these instructions with the consumer.
- Installation of this appliance requires basic mechanical skills.
- Proper installation is the responsibility of the installer.
- Product failure due to improper installation is not covered under the Warranty.

Important note to the consumer

Keep these instructions with your user manual for future reference.

- As when using any appliance generating heat, there are certain safety precautions you should follow.
- Be sure your range is installed and grounded properly by a qualified installer or service technician.
- Make sure the wall coverings around the range can withstand the heat generated by the range.
- Cabinet storage space above the surface burners should be a minimum of 30 in (76.2 cm).

Important note to the servicer

The electrical diagram is in an envelope attached to the back of the range.

Important safety information

Read all instructions before using this appliance

- All electrical and gas equipment with moving parts can be dangerous. Please read the important safety instructions for this appliance in this manual. The instructions must be followed to minimize the risk of injury, death, or property damage.
- Save this manual. Please Do Not Discard.

Symbols used in this manual

WARNING

Hazards or unsafe practices that may result in severe personal injury or death.

CAUTION

Hazards or unsafe practices that may result in electric shock, personal injury or property damage

NOTE

Useful tips and instructions

These warning icons and symbols are here to prevent injury to you and others. Please follow them explicitly. After reading this section, keep it in a safe place for future reference.

California Proposition 65 Warning

WARNING

Cancer and Reproductive Harm - www.P65Warnings.ca.gov.

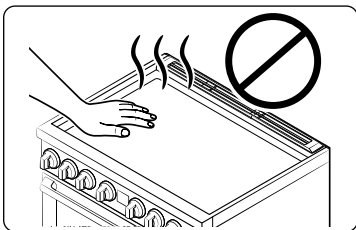
Commonwealth of Massachusetts

This product must be installed by a licensed plumber or gas fitter qualified or licensed by the State of Massachusetts. When using ball-type gas shut-off valves, you must use the T-handle type. Multiple flexible gas lines must not be connected in series.

General safety

WARNING

To reduce the risk of fire, electric shock, personal injuries, and/or death, obey the following precautions.



- **Do not touch** any part of the range, including but not limited to, oven burners, surface burners, or interior surfaces during or immediately after cooking.
- **Know** the location of the gas shut-off valve and how to shut it off.
- **Make sure** the **anti-tip device** is properly installed on the range. See the installation instructions for more information.
- **Do not let children near**, in, or on the range. Do not let children play with the range or any part(s) of the range. Do not leave children unattended in an area where the range is in use. For children's safety, we recommend utilizing the control/door lockout feature.

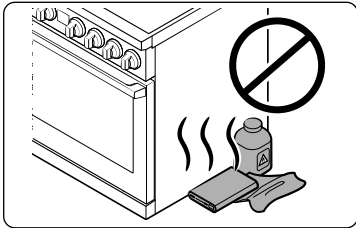
- **Remove** all packaging materials from the range before operating to prevent ignition of these materials. Keep all packaging materials out of children's reach. Properly dispose the packaging materials after the range is unpacked.
- **Do not store** any object of interest to children on the cooktop or backguard of the range. Children climbing on the range to reach items could be killed or seriously injured.
- **Do not operate** the range if the range or any part of the range is damaged, malfunctioning, or missing parts.
- **Do not use** the range as a space heater. This range is to be used for cooking purposes only.
- **Do not use** oven cleaners or oven liners in or around any part of the oven.
- **Use** only dry pot holders.
- **Do not use** the range to heat unopened food containers.
- **Do not strike** the oven glass.
- When disposing of the range, **cut off** the power cord and **remove** the door.
- **Unplug** or **disconnect** power before servicing.
- **Make sure** all meat and poultry is cooked thoroughly. Meat should always be cooked to an internal temperature of 160 °F (71 °C). Poultry should always be cooked to an internal temperature of 180 °F (82 °C).

Important safety information

Fire safety

⚠ WARNING

To reduce the risk of fire, electric shock, personal injuries, and/or death, obey the following precautions.



- **Do not store, place, or use** flammable or combustible materials such as charcoal, paper, plastic, pot holders, linens, curtains, gasoline or other flammable vapors or liquids near or inside the range.
- **Do not wear** loose fitting or hanging garments while using the range.

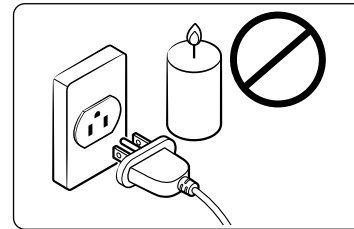
- To avoid grease buildup, **regularly clean** the vents.
- **Do not let** pot holders or other flammable materials touch a heating element. Do not use a towel or other bulky cloths in place of a pot holder.
- **Do not use** water on a grease fire. To put out a grease fire, turn off the heat source and smother the fire with a tight-fitting lid or use a multipurpose dry chemical or foam-type fire extinguisher.
- If a grease fire should occur in the oven, **turn off the oven** by rotating the mode selector knob to the **OFF** position. Keep the oven door closed until the fire goes out. If necessary, **use** a multipurpose dry chemical or foam-type fire extinguisher.
- **Do not heat** unopened food containers - buildup of pressure may cause container to burst and result in injury.

Gas safety

⚠ WARNING

To reduce the risk of fire, electric shock, personal injuries, and/or death, obey the following precautions.

If you smell gas:



- **Close the valve** and do not use the range.
- **Do not light** a match, candle, or cigarette.
- **Do not turn on** any gas or electric appliances.
- **Do not touch** any electrical switches or plug a power cord into an outlet.
- **Do not use** any phone in your building.
- **Evacuate** the room, building, or area of all occupants.
- **Immediately call** your gas supplier from a neighbor's phone. Follow the gas supplier's instructions.
- If you cannot reach your gas supplier, call the fire department.

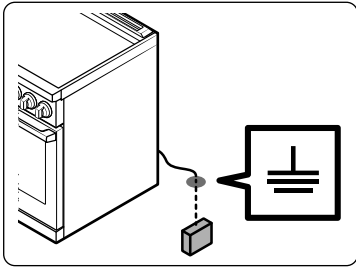
Checking for gas leaks

- Leak testing of the appliance shall be conducted according to the manufacturer's instructions. **Do not use** a flame to check for gas leaks. Use a brush to spread a soapy water mixture around the area you are checking. If there is a gas leak, you will see small bubbles in the soapy water mixture at the leak point.

Electrical and grounding safety

⚠ WARNING

To reduce the risk of fire, electric shock, personal injuries, and/or death, obey the following precautions.



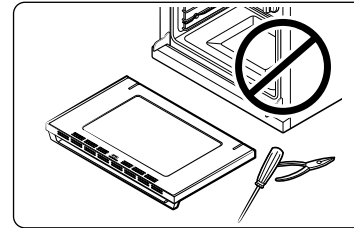
- Plug into a grounded 3-prong outlet.
- **Do not remove** the ground prong.
- **Do not use** an adapter or an extension cord.
- **Do not use** a damaged power plug, power cord, or loose power outlet.
- **Do not modify** the power plug, power cord, or power outlet in any way.

- **Do not put** a fuse in a neutral or ground circuit.
- Use a dedicated 240-volt, 60-Hz, 40-amp, AC, fused electrical circuit for this range. A time-delay fuse or circuit breaker is recommended. Do not plug more than one appliance into this circuit.
- **Do not connect** the ground wire to plastic plumbing lines, gas lines, or hot water pipes.
- This range **must be Earth grounded**. In the event of a malfunction or breakdown, grounding will reduce the risk of electrical shock by providing a path for the electric current. This range is equipped with a cord having a grounding plug. The plug must be firmly plugged into an outlet that is properly installed and grounded in accordance with the local codes and ordinances. If you are unsure whether your electrical outlet is properly grounded, have it checked by a licensed electrician.
- Electrical service to the range must conform to local codes. Barring local codes, it should meet the latest ANSI/NFPA No. 70 - Latest Revision (for the U.S.) or the Canadian Electrical Code CSA C22.1 - Latest Revisions.
- It is the personal responsibility of the range owner to provide the correct electrical service for this range.

Installation safety

⚠ WARNING

To reduce the risk of fire, electric shock, personal injuries, and/or death, obey the following precautions.



- Have your range installed and properly grounded by a **qualified installer**, in accordance with the installation instructions. Any adjustment and service should be performed only by qualified gas range installers or service technicians.
- **Do not attempt** to service, modify, or replace your range or any part of your range unless it is specifically recommended in this manual. All other service should be referred to a qualified technician.
- Always use new flexible connectors when installing a gas appliance. **Do not use** old flexible connectors.
- **Make sure** the anti-tip device is properly installed on the range. See the installation instructions for more information.
- Due to the size and weight of the range, have **two or more people** move the range.
- **Remove** all tape and packaging materials.
- **Remove** all accessories from the cooktop and oven. Grates are heavy. Use caution when handling them.
- **Make sure** no parts came loose during shipping.

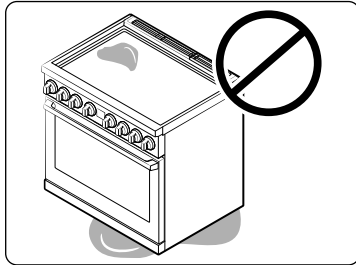
Important safety information

- **Make sure** your range is correctly installed and adjusted by a qualified service technician or installer for the type of gas (natural or LP) you will use. For your range to utilize LP gas. The installer must replace the 6 surface burner orifices with the provided LP orifice set. And reverse the GPR adapter. These adjustments must be made by a qualified service technician in accordance with the manufacturer's instructions and all codes and requirements of the authority having jurisdiction. The qualified agency performing this work assumes the gas conversion responsibility.
- Installation of this range must conform with local codes or, in the absence of local codes, with the National Fuel Gas Code, ANSI Z223.1/NFPA.54, latest edition. In Canada, installation must conform with the current Natural Gas Installation Code, CAN/CGA-B149.1, or the current Propane Installation Code, CAN/CGA-B149.2, and with local codes where applicable. This range has been design-certified by ETL according to ANSI Z21.1, latest edition, and Canadian Gas Association according to CAN/CGA-1.1, latest edition.

Location safety

⚠ WARNING

To reduce the risk of fire, electric shock, personal injuries, and/or death, obey the following precautions.



- This range is for indoor, household use only. **Do not install** the range in areas exposed to the weather and/or water.
- **Do not install** the range in a place which is exposed to a strong draft.

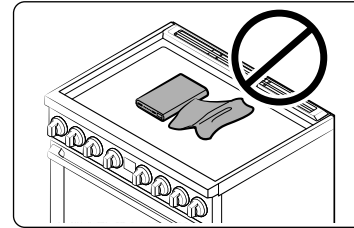
- Select a level, well-constructed floor that can support the range's weight. Synthetic flooring, such as linoleum, must withstand 180 °F (82 °C) temperatures without shrinking, warping, or discoloring. **Do not install** the range directly over interior kitchen carpeting unless a sheet of ¼ inch plywood or a similar insulator is placed between the range and carpeting.

- Select a location where a grounded, 3- prong outlet is easily accessible.
- If the range is located near a window, **do not hang** long curtains or paper blinds on that window.
- For the range to ventilate properly, make sure the range's vents are not blocked or covered, and that there is enough clearance at the top, back, sides, and underneath the range. The vents allow the necessary exhaust for the range to operate properly with correct combustion and get the good cooking result.
- **Make sure** the wall coverings around the range can withstand heat up to 194 °F (90 °C) generated by the range.
- Cabinet storage above the surface of the range should be avoided. If cabinet storage above the range is necessary: allow a minimum clearance of 30 inches (76.2 cm) between the cooking surface and the bottom of cabinets. For detail information, please refer to the **Minimum dimensions** section on page 13.

Cooktop safety

⚠ WARNING

To reduce the risk of fire, electric shock, personal injuries, and/or death, obey the following precautions.



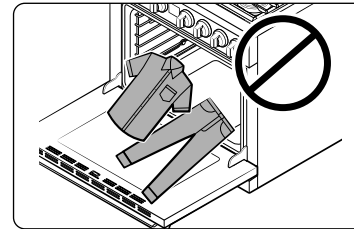
- **Make sure** all burners are off when not in use.
- **Do not use** aluminium foil to line the grates or any part of the cooktop.
- **Do not leave** burners unattended on medium or high heat settings.
- Before igniting, **make sure** all burner caps are properly in place and all burners are level.
- Always use the **Lite** (🔥) position when igniting the burners and make sure the burners have ignited. If ignition fails, turn the knob to **OFF** and wait until the gas has dissipated.
- When you set a burner to simmer, **do not turn** the knob quickly. Make sure the flame stays on.
- **Do not** place any objects other than cookware on the cooktop.
- This cooktop is designed to cook with a wok or wok ring attachment. If foods are flamed, they should only be flamed under a ventilation hood that is on.

- Before removing or changing cookware, turn off the burners.
- Remove food and cookware immediately after cooking.
- Before removing any parts of the burner for cleaning, make sure the range is off and completely cool.
- After cleaning the burner spreader, **make sure** it is completely dry before re-assembling.
- **Make sure** the spark mark on the dual burner spreader is placed beside the electrode when it is assembled.
- To avoid carbon monoxide poisoning, **do not pour** water into the cooktop well while cleaning.
- Select cookware that is designed for top-range cooking. Use cookware that is large enough to cover the burner grates. Adjust the burner flames so that the flames do not extend beyond the bottom of the cookware.
- To avoid cookware discoloration, deformity, and/or carbon monoxide poisoning, **do not use** cookware that is exceedingly larger than the grate.
- **Make sure** cookware handles are turned to the side or rear of the cooktop, but not over other surface burners.
- Stand away from the range while frying.
- Always heat frying oils slowly, and watch as they heat. If you are frying foods at high heat, carefully watch during the cooking process. If a combination of fats or oils is to be used during frying, mix them together before heating.
- Use a deep-fryer thermometer whenever possible. This prevents overheating the fryer beyond the smoking point.
- Use a minimum amount of oil when shallow pan-frying or deep-frying. Avoid cooking unthawed food or food with excessive amounts of ice.
- Before moving cookware full of fats or oils, make sure it has completely cooled.
- To prevent delayed eruptive boiling, always allow heated liquids to stand at least 20 seconds after you have turned off the burner so that the temperature in the liquid can stabilize. In the event of scalding, follow these first aid instructions:
 1. Immerse the scalded area in cool or lukewarm water for at least 10 minutes.
 2. Do not apply any creams, oils, or lotions.
 3. Cover with a clean, dry cloth.

Oven safety

WARNING

To reduce the risk of fire, electric shock, personal injuries, and/or death, obey the following precautions.



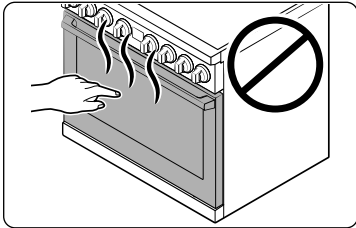
- **Do not use** the oven for non-cooking purposes such as drying clothes or storage. Use the oven for cooking purposes only.
- **Make sure** the inner portion of the split oven-rack is in the proper position within the outer rack.
- **Make sure** the oven racks are placed on the same level on each side.
- **Do not damage, move, or clean** the door gasket.
- **Do not spray** water on the oven glass while the oven is on or just after you have turned it off.
- **Do not use** aluminium foil or foil liners anywhere in the oven. Do not use aluminium foil or like material to cover any holes or passages in the oven bottom or to cover an oven rack.
- Stand away from the oven when opening the oven door.
- Keep the oven free from grease buildup.
- When repositioning the oven racks, **make sure** the oven is completely cool.
- To avoid damaging the burner control knobs, always bake and/or broil with the oven door closed.
- **Do not broil** meat too close to the burner flame(or heater). Trim excess fat from meat before cooking.
- When using cooking or roasting bags in the oven, follow the manufacturer's directions.

Important safety information

Self-cleaning oven safety

⚠ WARNING

To reduce the risk of fire, electric shock, personal injuries, and/or death, obey the following precautions.



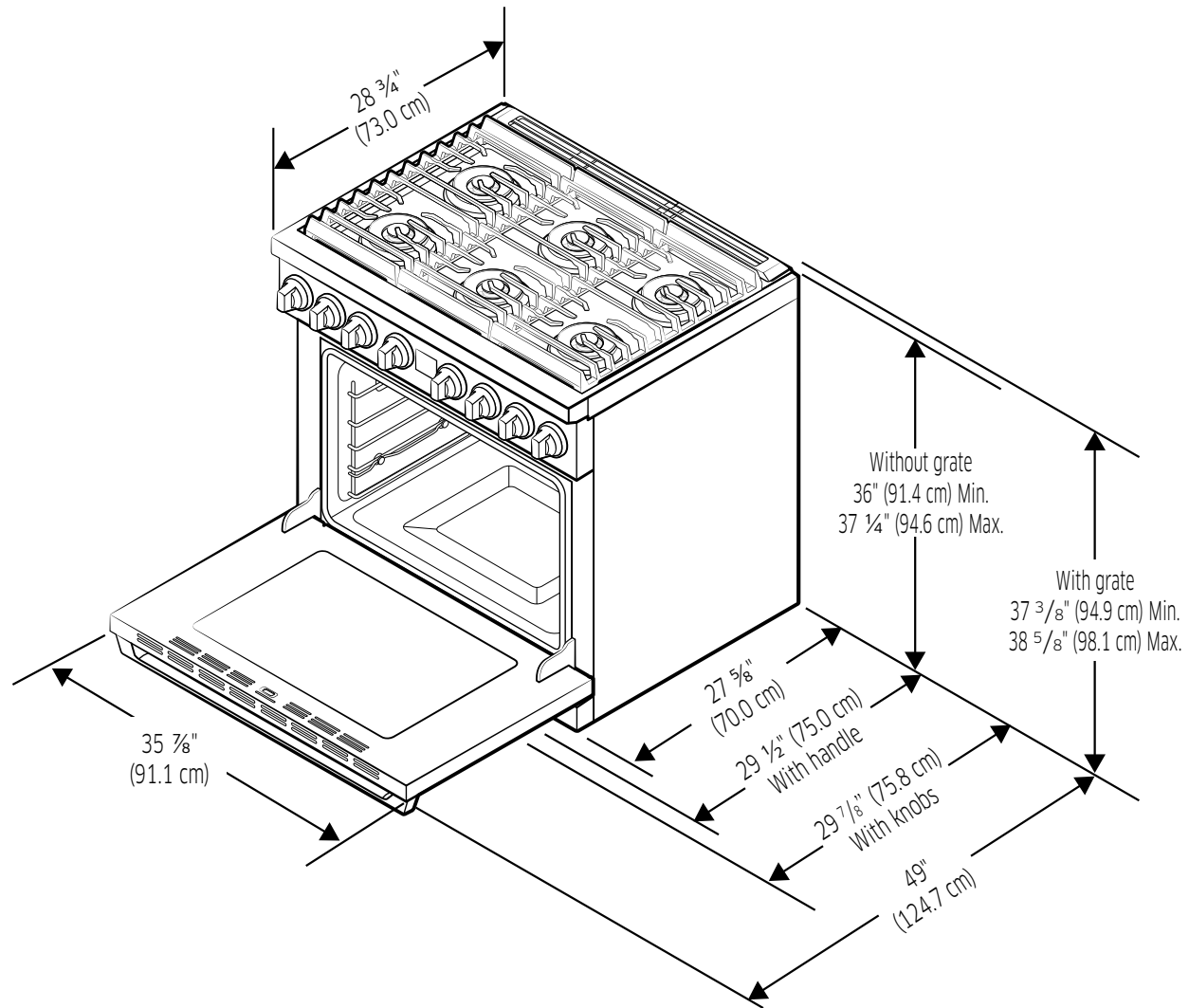
- The self-cleaning feature operates the oven at temperatures high enough to burn away food soils in the oven. The range is extremely hot during a self-cleaning cycle. **Do not touch** any surfaces of the range during a self-cleaning cycle.
- Keep children away from the oven during a self-cleaning cycle.
- Before starting a self-cleaning cycle, **remove** all racks, cookware, and utensils from the oven. Only porcelain-coated oven racks may be left in the oven.
- Before starting a self-cleaning cycle, wipe grease and food soils from the oven.
- When opening the door after a self-cleaning cycle, stand away from the oven.
- If the self-cleaning cycle malfunctions, turn off the oven, disconnect the power supply, and contact a qualified service technician.

Gas range components

Dual Fuel range specifications

MODEL DOP36*86D**

Description	Dual fuel Range
Overall dimensions	35 7/8 in (W) × 37 1/4 in (H) × 29 1/2 in (D) 911 mm (W) × 946 mm (H) × 750 mm (D)
Electrical	Refer to the rating label.
Gas, NG (natural gas)	5-13 in WC
Gas, LP (liquid propane)	10-13 in WC
Surface burners (NG)	(LF)-22,000 BTU / (LR)-16,000 BTU (RF)-22,000 BTU / (RR)-16,000 BTU (CF)-16,000 BTU / (CR)-16,000 BTU
Surface burners (LP)	(LF)-16,500 BTU / (LR)-14,500 BTU (RF)-16,500 BTU / (RR)-14,500 BTU (CF)-14,500 BTU / (CR)-14,500 BTU
Oven heater	Bake - 3000 W Broil - 4400 W



Gas range components

Installation requirements

Location requirements

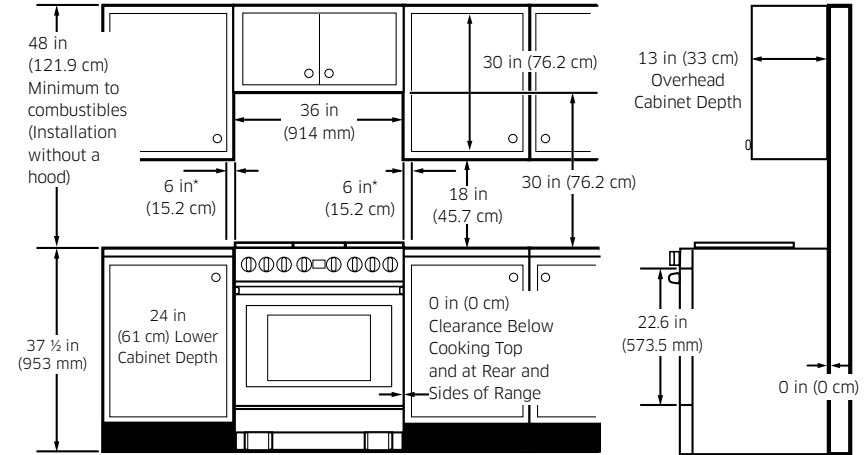
Clearances and dimensions

NOTE

- For OTR over Gas Stove, please follow local GAS CODE.
- BEFORE YOU BEGIN** to install this appliance, refer to the following information, dimensions, and clearances. **Do not locate the range where it may be subject to strong drafts.** Provide adequate clearances between the range and adjacent combustible surfaces. These dimensions must be met for safe use of the range. The location of the electrical outlet and gas piping may be adjusted to meet the following dimensions and clearances.
- For installation in Canada, a free-standing range is not to be installed closer than 4.7 in (12 cm) from any adjacent surface.
- Installations without a hood require 48" minimum to combustibles. A custom hood installation with exposed horizontal combustible surfaces must have an Auto-On feature. Refer to hood installation instructions for specific hood clearances.

CAUTION

This range has been designed to comply with the maximum allowable wood cabinet temperature of 194 °F (90 °C). Make sure the wall covering, countertops, and cabinets around the range can withstand the heat (up to 194 °F [90 °C]) generated by the range. If not, discoloration, delamination, or melting may occur.



* Side clearance above cooking surface to any objects, i.e., wall.

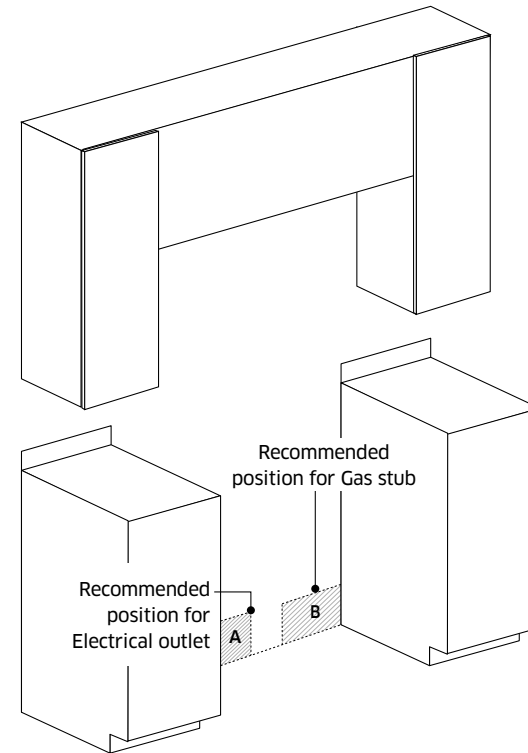
Minimum dimensions

⚠ CAUTION

- If overhead cabinets are installed, a range hood should also be installed and project horizontally a minimum of 5" (12.7 cm) beyond the front of the cabinets. Hood is necessary to dissipate any heat buildup in the overhead cabinets to prevent possibility of fire, personal injury and/or death. The ventilating hood must be constructed of sheet metal not less than 0.0122" thick and installed above the cooktop with a clearance of not less than ¼" between the hood and the underside of the combustible material or metal cabinet. The hood must be at least as wide as the appliance and centered over the appliance. Clearance between the cooking surface and the ventilation hood surface must never be less than 24".
- Exception 1** : Installation of a listed microwave oven or cooking appliance over the cooktop shall conform to the installation manual provided with the appliance.
 - 30" (76.2 cm) minimum clearance between the top of the cooking surface and the bottom of an unprotected wood or metal cabinet; or If 30" (76.2 cm) clearance is not possible, minimum of 24" (61 cm) can be used when the bottom of the wood or metal cabinet is protected by not less than ¼" (0.64 cm) flame-retardant millboard covered with not less than no. 28 MSG sheet steel, 0.015" (0.038 cm) stainless steel, 0.024" (0.061 cm) aluminum, or 0.020" (0.051 cm) copper.
 - 18" (45.7 cm) of minimum clearance between the countertop and the adjacent cabinet bottom.
- Exception 2** : For island installation, maintain 2½" minimum from cutout to back edge of countertop and 4" minimum from cutout to side edges of countertop.

Installation guide

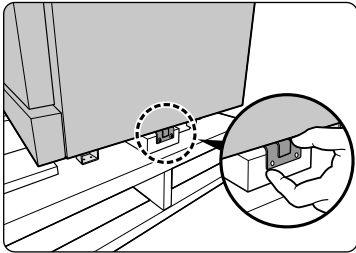
Recommended locations for gas piping and electrical outlets



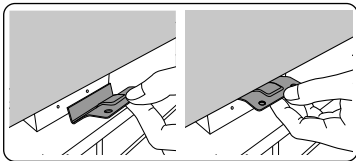
Model	DOP36*86D**
A	Electrical outlet 9 7/8"(W) X 6 7/8"(H) (25.1 cm x 17.5 cm)
B	Gas piping 17 15/16" (W) X 5 3/8"(H) (45.5 cm x 13.8 cm)

Installation requirements

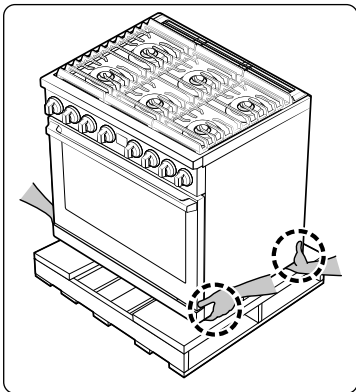
To remove safely from the pallet



1. Remove the screws from the bottom bracket on either side of the unit.

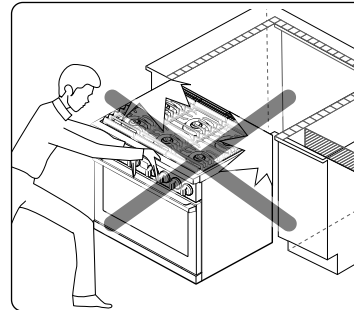


2. Press the bracket on either side to pull out.



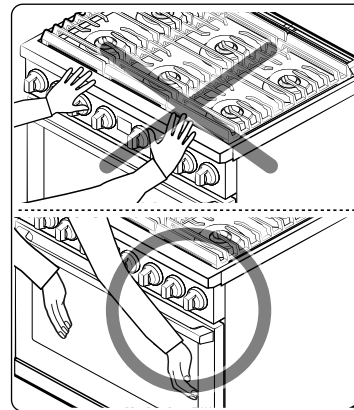
3. Have two persons hold both bottom sides of the unit and lift up to remove from the pallet. Use caution not to hold the door handle.

To avoid breakage



⚠ CAUTION

- Please **DO NOT** push the unit strongly when you install. These actions can cause the damage to the unit.



- Hold the upper left/right area of the door (not the door handle) with both hands and push the unit in. Do not grab the door handle.

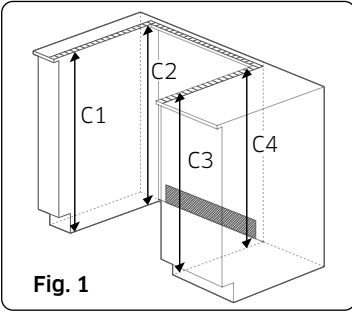


Fig. 1

1. The counter top around the cut-out should be flat and leveled (see hatched area on Fig. 1).
2. Before installing the unit, measure the heights of the two cabinet sides (C1–C4), front and back (See Fig. 1) from the floor to the top of the counter.
3. Level the range using the four leveling legs so that the height from the floor to the top of the cooktop frame is level with a countertop.
4. Slide the unit into the cabinet (**DO NOT PUSH THE UNIT HARD**). Make sure the center of the unit aligns with the center of the cabinet cut-out.

Gas requirements

Provide adequate gas supply

This range is designed to operate at a pressure of 5 in (13 cm) of water column on natural gas or 10 in (25 cm) of water column on LP gas (propane or butane).

Make sure you are supplying your range with the type of gas for which it is designed.

Do not attempt to convert the appliance from the gas specified in this manual to a different gas without consulting the gas supplier.

This range is convertible for use on natural or propane gas. If you decide to use this range on LP gas, conversion must be made by a qualified LP installer before attempting to operate the range.

For proper operation, the pressure of natural gas supplied to the regulator must be between 6 in and 13 in (13 cm and 33 cm) of water column.

For LP gas, the pressure supplied must be between 11 in and 13 in (25 cm and 33 cm) of water column.

When checking for proper operation of the regulator, the inlet pressure must be at least 1 in (2.5 cm) greater than the operating (manifold) pressure as given.

The pressure regulator located at the inlet of the range manifold must remain in the supply line regardless of whether natural or LP gas is being used.

A flexible-metal appliance connector used to connect the range to the gas supply line should have an I.D. of 0.5 in (1.3 cm) and be 5 ft (152 cm) in length for ease of installation. In Canada, flexible connectors must be single-wall metal connectors no longer than 6 ft (183 cm) in length.

Do not kink or damage the flexible metal tubing when moving the range.

Installation requirements

Special gas requirements (gas models sold in Massachusetts)

COMMONWEALTH OF MASSACHUSETTS REQUIREMENTS:

WARNING

- Gas leaks may occur in your system, creating a dangerous situation.
 - Gas leaks may not be detected by smell alone.
 - Gas suppliers recommend you purchase and install a UL-approved gas detector. Gas detector should be installed in accordance with the manufacturers instructions.
- Range must be installed by a qualified plumber or gas fitter by the State of Massachusetts.
- A T-handle manual gas valve MUST be installed in the gas supply line to your range.
- If a flexible gas connector is used to install your range, multiple flexible gas lines must not be connected in series.

Electrical requirements

WARNING

To reduce the risk of fire, electric shock, or personal injury:

All ranges

- Do not use an extension cord or adapter plug with this range.
- This range must be properly grounded.
- Check with a qualified electrician if you are in doubt as to whether your range is properly grounded.
- Do not modify the plug provided with your range—if it doesn't fit the outlet, have a proper outlet installed by a qualified electrician.
- All wiring and grounding must be done in accordance with local codes or, in the absence of local codes, with the National Electrical Code, ANSI/NFPA No. 70 – Latest Revision (for the U.S.) or the Canadian Electrical Code CSA C22.1 – Latest Revisions and local codes and ordinances.
- Wiring diagram is located on the back of the range. (Inside of the cover back wire)
- This range is equipped with an electronic ignition system that will not operate if plugged into an outlet that is not properly polarized.

Dual fuel models

- Canada models are equipped with a power cord with an equipment-grounding conductor and a grounding plug.
(The power cord is not provided in US model.)
- A 240-Volt, 60-Hz, AC, approved electrical service with 40-amp circuit breaker or time-delay fuse is required for all U.S. and Canadian models.
- Check for ¾-in (1.9-cm) UL-listed strain relief where the power cord comes out of the range cabinet.
- Do not reuse a power supply cord from an old range or other appliance.
- The power cord electric supply wiring must be retained at the range cabinet with a suitable UL-listed strain relief.
- A time-delay fuse or circuit breaker is also recommended.

Grounding

- All ranges must be grounded for personal safety.
- All gas models have a power cord with an equipment-grounding conductor and a grounding plug.
- The plug must be firmly plugged into a 3-prong or 4-prong outlet that is properly installed and grounded in accordance with all local codes and ordinances. In the event of a malfunction or breakdown, grounding will decrease the risk of electrical shock by providing a path for the electric current.
- Do not use a damaged power plug or loose wall outlet.
- Do not use an extension cord or adapter with this appliance.
- Do not, under any circumstances, cut, modify, remove, or otherwise defeat the grounding if quipped. If the plug and the outlet do not match or you have any doubt, have a qualified electrician install the proper outlet. The customer should have the wall receptacle and circuit checked by a qualified electrician to make sure the receptacle is properly grounded. Ground Fault Circuit Interrupters(GFCIs) are not required or recommended for range receptacles.
- **NEVER** connect ground wire to plastic plumbing lines, gas lines, or water pipes.

CAUTION

Failure to follow these instructions can result in death, fire, or electrical shock.

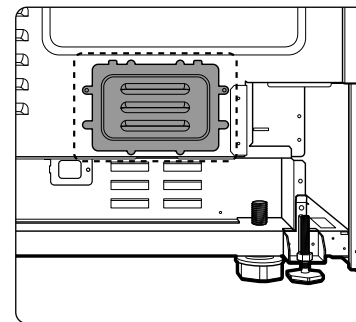
Usage situations where appliance power cord will be disconnected frequently

Do not use an adapter plug in these situations because disconnecting of the power cord places under strain on the adapter and leads to eventual failure of the adapter ground terminal. 240 V plug have 3 or 4 prongs and are not supplied with a unit.

Additional installation requirements for mobile homes

The installation of appliances designed for mobile home installation must conform with the Manufactured Home Construction and Safety Standard, Title 24 CFR, Part 3280 (formerly the Federal Standard for Mobile Home Construction and Safety, Title 24, HUD, Part 280) or, when such standard is not applicable, the Standard for Manufactured Home Installations, latest edition (Manufactured Home Sites, Communities and Set-Ups), ANSI A225.1, latest edition, or with local codes. In Canada, mobile home installation must be in accordance with the current CAN/CSA Z240/MH Mobile Home Installation Code.

Power cord location

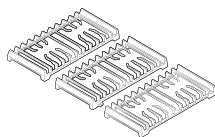


The power cord for this appliance is located on the back of the range, near the bottom left corner.

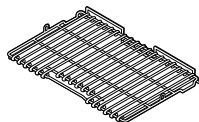
Tools and materials

What's in the box

Parts supplied



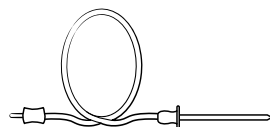
Surface burner grates (3)



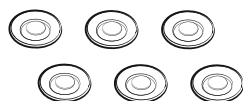
Flat rack (1)



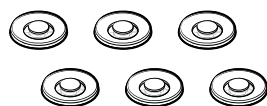
Wok ring (1)



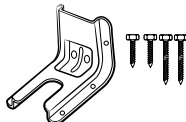
Temp. Probe (1)



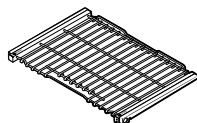
Brass burner caps (6)



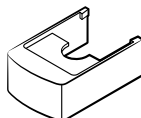
Burner heads (6) and Burner caps(6)



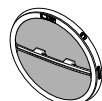
Anti-tip bracket kit



Gliding racks (2)



Front leg covers (2)



Convection filter (2)

NOTE

- Make sure you have received all of the supplied parts shown above.
- If your range was damaged during shipping or you do not have all of the supplied parts, contact your local retailer.

Parts needed



4-wire cord or 3-wire cord



Gas line shut-off valve



Flexible metal appliance connector
½" (ID) x 5 ft



Flare union adapter
¾" or ½" (NPT) x ½" (ID)



Flare union adapter
½" (NPT) x ½" (ID)

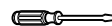


135-degree elbow
(optional)



Lag bolt or ½" (OD)
sleeve anchor

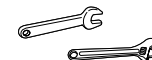
Tools needed



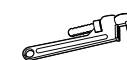
Flat-blade screwdriver



Phillips screwdriver



Open-end or adjustable wrench



Pipe wrench (2)



Pencil and ruler



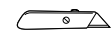
Level



Pipe joint compound



Nut driver



Utility knife



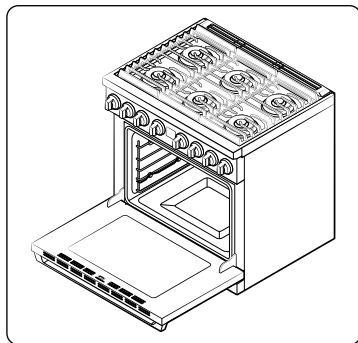
Soapy water solution

Installation instructions

Installing your Dual fuel Range

NOTE

- **IMPORTANT:** Please read the following instructions, as well as the Important Safety Instructions section at the front of this manual, completely and carefully BEFORE installing and/or operating the gas range. Improper installation, adjustment, service, or maintenance can cause personal injury or property damage.



- To order parts or accessories, contact your local retailer or refer to the last page.
- To ensure proper installation, we strongly recommend that you hire a professional installer.

Step 1. Unpack the range

Remove all packaging materials. Failure to remove packaging materials could result in damage to the appliance. Inventory all loose parts against the 'Parts supplied' overview on page 18. Check for shipping damage and/or missing parts. Any damage and/or missing parts should be reported to your local retailer.

Step 2. Meeting electrical connection requirements

CAUTION

For personal safety, do not use an extension cord with this appliance. Remove house fuse or open circuit breaker before beginning installation.

This appliance must be supplied with the proper voltage and frequency, and connected to an individual properly grounded branch circuit, protected by a circuit breaker or fuse having amperage as specified on the rating plate. The rating plate is located above the drawer on the oven frame.

We recommend you have the electrical wiring and hookup of your range connected by a qualified electrician. After installation, have the electrician show you where your main range disconnect is located. Check with your local utilities for electrical codes which apply in your area. Failure to wire your oven according to governing codes could result in a hazardous condition.

If there are no local codes, your range must be wired and fused to meet the requirements of the National Electrical Code, ANSI/NFPA No. 70-Latest Edition. You can get a copy by writing:

National Fire Protection Association
Batterymarch Park
Quincy, MA 02269

Effective January 1, 1996, the National Electrical Code requires that new construction (not existing) utilize a 4-conductor connection to an electric range. When installing an electric range in new construction, follow Steps 2 and 3 for 4-wire connection.

You must use a 3-wire or 4-wire, single-phase A.C. 208Y/120 Volt or 240/120 Volt, 60 hertz electrical system.

If the electrical service provided does not meet the above specifications, have a licensed electrician install an approved outlet.

Use only a 3-conductor or a 4-conductor UL-listed range cord. These cords may be provided with ring terminals on wire and a strain relief device.

A range cord rated at 40 amps with 125/250 minimum volt range is required.

Installation instructions

A 50 amp range cord is not recommended but if used, it should be marked for use with nominal 1 3/8" diameter connection openings. Care should be taken to center the cable and strain relief within the knockout hole to keep the edge from damaging the cable.

Because range terminals are not accessible after range is in position, flexible service conduit or cord must be used.

NOTE

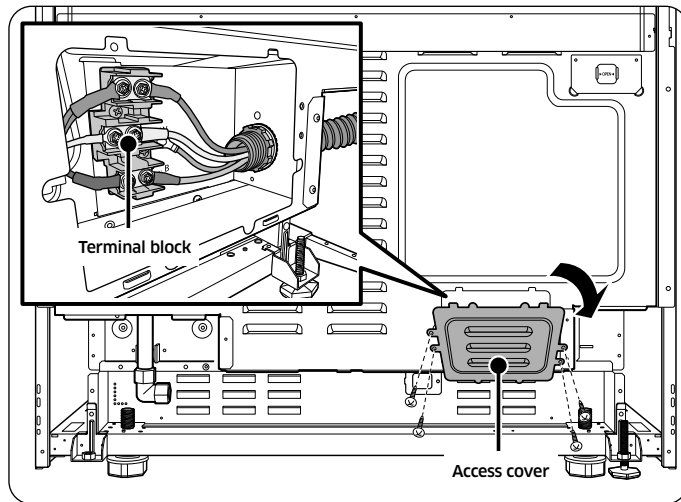
If conduit is being used, go to **Step 5** on pages 22–23.



ALL NEW BRANCH-CIRCUIT CONSTRUCTIONS, MOBILE HOMES, RECREATIONAL VEHICLES AND INSTALLATIONS WHERE LOCAL CODES DO NOT ALLOW GROUNDING THROUGH NEUTRAL, REQUIRE A 4-CONDUCTOR UL-LISTED RANGE CORD.

Step 3. Accessing the power cord connection

Remove the rear access cover and loosen the screw with a screwdriver. The terminal block will then be accessible.

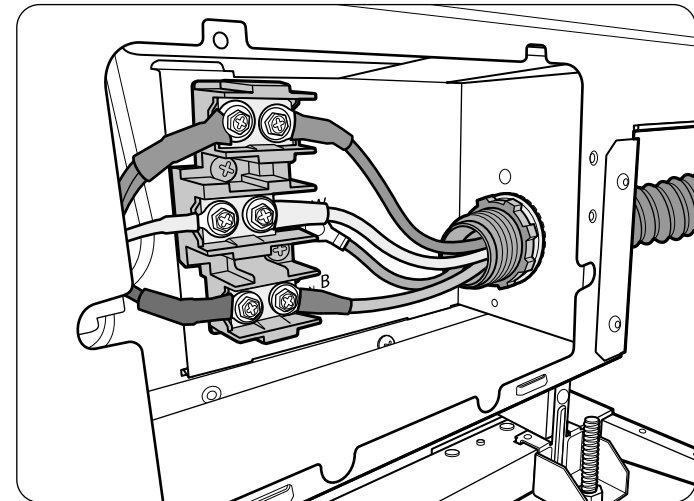


Specified power-supply-cord kit rating

Range rating, watts		Specified rating of power-supply-cord kit, amperes	Diameter (inches) of range connection opening	
120/240 volts 3-wire	120/208 volts 3-wire		Power cord	Conduit
8750 - 16500	7801 - 12500	40 or 50 A	1 3/8"	1 1/8"

Step 4. Installing the power cord

For power cord installations, hook the strain relief over the power cord hole (1 3/8") located below the rear of the drawer body. Insert the power cord through the strain relief and tighten the device.

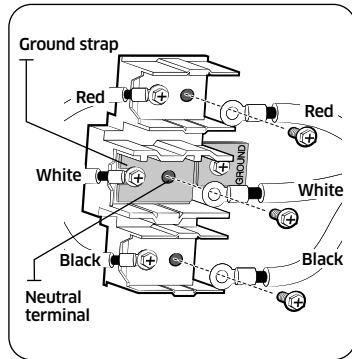


- You must install the power cord with a strain relief.
- Attach the strain relief to the 1 3/8" opening in conduit connection plate.

Installing a 3-wire power cord

⚠ WARNING

The neutral or ground wire of the power cord must be connected to the neutral terminal located in the center of the terminal block. The power leads must be connected to the lower left and the lower right terminals of the terminal block.

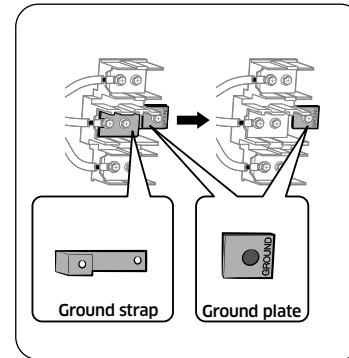


1. Remove the 3 lower terminal screws from the terminal block.
2. Insert the 3 terminal screws through each power cord terminal ring and into the lower terminals of the terminal block. Be certain that the center wire (white/neutral) is connected to the center lower position of the terminal block.
3. Tighten screws securely into the terminal block. **DO NOT remove the ground strap connection.**
4. Go to **Step 6** on page 23 and proceed with the installation.

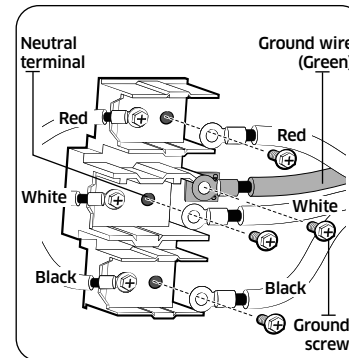
Installing a 4-wire power cord

⚠ WARNING

The neutral wire of the supply circuit must be connected to the neutral terminal located in the lower center of the terminal block. The power leads must be connected to the lower left and the lower right terminals of the terminal block. The 4th grounding lead must be connected to the frame of the range with the ground plate and the ground screw.



1. Remove the 3 lower terminal screws from the terminal block. Remove the ground screw and ground plate and retain them.
2. **Cut and discard the ground strap. Do not discard any screws.**
3. Insert the one ground screw into the power cord ground wire terminal ring, through the ground plate, and into the frame of the range.
4. Insert the 3 terminal screws (removed earlier) through each power cord terminal ring and into the lower terminals of the terminal block. Be certain that the center wire (white/neutral) is connected to the center lower position of the terminal block. Tighten screws securely into the terminal block.
5. Go to **Step 6** on page 23 and proceed with the installation.

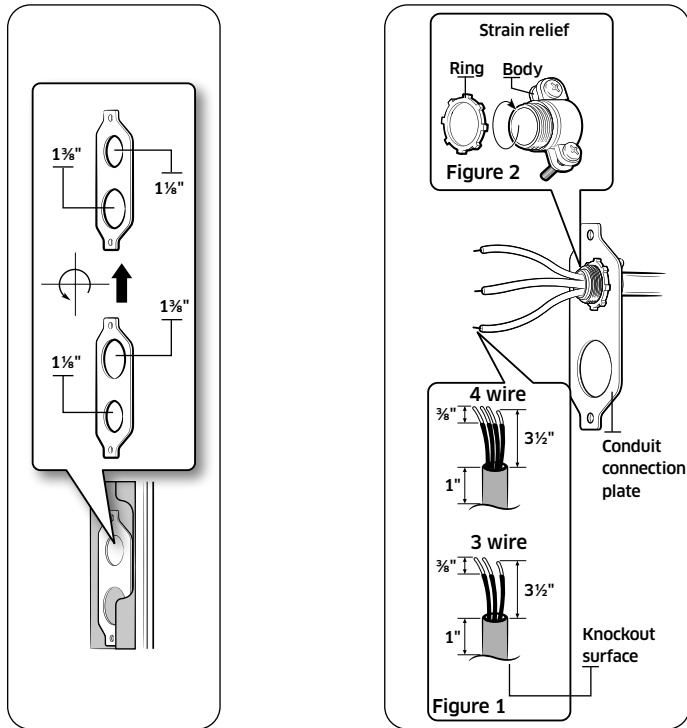


Installation instructions

Step 5. Installing the conduit

Remove the conduit connection plate from the rear of the drawer body and rotate it as shown below.

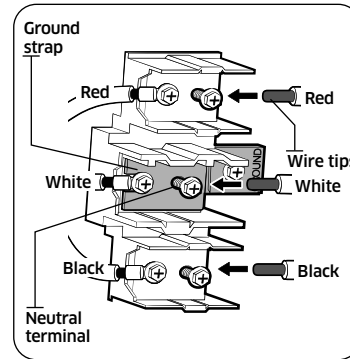
The conduit hole (1 1/8") must be used.



1. Prepare the conduit cord shown in Figure 1.
 2. Install the conduit cord as shown in Figure 2.
- For conduit installations, insert the strain relief (not included) into the conduit hole (1 1/8"). Then thread the conduit cord through the body of the strain relief and fasten the ring. Reinstall the bracket.

Installing a 3-wire conduit

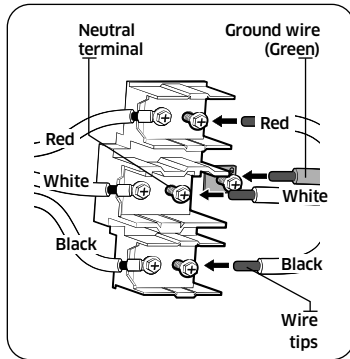
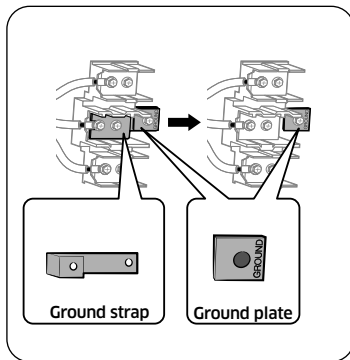
- Aluminum building wire may be used but it must be rated for the correct amperage and voltage to make the connection. Connect wires according to Step 4 depending on the number of wires.
- Wire used, location and enclosure of splices, etc., must conform to good wiring practices and local codes.



1. Loosen the 3 lower terminal screws from the terminal block.
2. Insert the center bare wire (white/neutral) tip through the bottom center terminal block opening. On certain models, the wire will need to be inserted through the ground strap opening and then into the bottom center block opening.
3. Insert the two side bare wire tips into the lower left and the lower right terminal block openings.
4. Tighten the screws until the wire is firmly secured (35 to 50 inch-lbs.). Do not over-tighten the screws since it could damage the wires.
5. Go to **Step 6** on page 23 and proceed with the installation.

Installing a 4-wire conduit

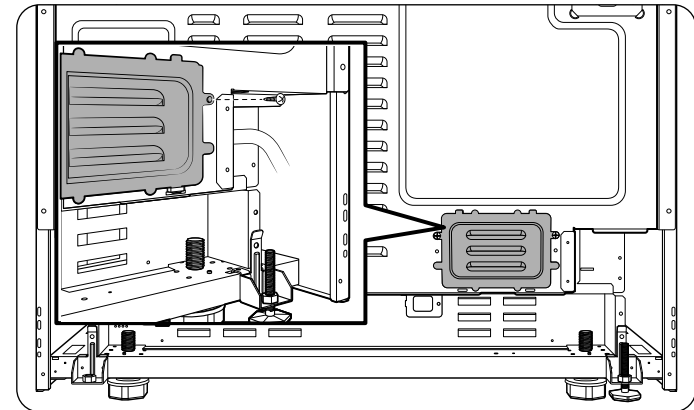
- Aluminum building wire may be used but it must be rated for the correct amperage and voltage to make the connection. Connect wires according to this Step 4 depending on the number of wires.
- Wire used, location and enclosure of splices, etc., must conform to good wiring practices and local codes.



1. Loosen the 3 lower terminal screws from the terminal block. Remove the ground screw and ground plate and retain them.
2. **Cut and discard the ground strap. Do not discard any screws.**
3. Insert the ground bare wire tip between the range frame and the ground plate (removed earlier) and secure it in place with the ground screw (removed earlier).
4. Insert the bare wire (white/neutral) tip through the bottom center of the terminal block opening.
5. Insert the two side bare wire tips into the lower left and the lower right terminal block openings.
6. Tighten the screws until the wire is firmly secured (35 to 50 inch-lbs.). Do not over-tighten the screws since it could damage the wires.
7. Go to **Step 6** and proceed with the installation.

Step 6. Replacing the access cover

Replace the access cover on the range back. To replace the wire cover, insert double projections in the pockets located below the opening and tighten the screw.



Installation instructions

Step 7. Connect the range to gas supply

Shut off the main gas supply valve before disconnecting the old range and leave it off until the new hookup has been completed. Don't forget to relight the pilot on other gas appliances when you turn the gas back on.

Because hard piping restricts movement of the range, the use of a CSA International-certified flexible metal appliance connector is recommended unless local codes require a hard-piped connection.

WARNING

If the information in this manual is not followed exactly, a fire or explosion may result, causing death, personal injury, or property damage.

- Do not store or use gasoline or other flammable vapors and liquids in the vicinity of this or any other appliance.
- WHAT TO DO IF YOU SMELL GAS:
 - DO NOT light a match, candle, or cigarette.
 - DO NOT try to light any appliance.
 - DO NOT touch any electrical switch.
 - DO NOT use any phone in your building.
 - Clear the room, building, or area of all occupants.
 - Immediately call your gas supplier from a neighbor's phone. Follow the gas supplier's instructions.
 - If you cannot reach your gas supplier, call the fire department.
- Installation and service must be performed by a qualified installer, service agency, or gas supplier.

Never use an old connector when installing a new range. If the hard-piping method is used, you must carefully align the pipe; the range cannot be moved after the connection is made.

To prevent gas leaks, apply pipe-joint compound or wrap pipe-thread tape with Teflon on all male (external) pipe threads.

1. Install a manual gas line shut-off valve in the gas line in an easily accessed location outside of the range.
Make sure everyone operating the range knows where and how to shut off the gas supply to the range.

2. Install male 0.5-in (1.3-cm) flare union adapter to the 0.5-in (1.3-cm) NPT internal thread at the regulator inlet. Use a backup wrench on the regulator fitting to avoid damage.
When installing the range from the front, remove the 90 ° elbow for easier installation.
3. Install male 0.5-in (1.3-cm) or 0.75-in (1.9-cm) flare union adapter to the NPT internal thread of the manual shut-off valve, taking care to back up the shut-off valve to keep it from turning.
4. Connect flexible metal appliance connector to the adapter on the range.
Position range to permit connection at the shut-off valve.
5. When all connections have been made, make sure all range controls are in the off position and turn on the main gas supply valve. Use a liquid leak detector at all joints and connections to check for leaks in the system.

WARNING

To prevent death, personal injury, explosion, and/or fire hazard, **DO NOT** use a flame to check for gas leaks.

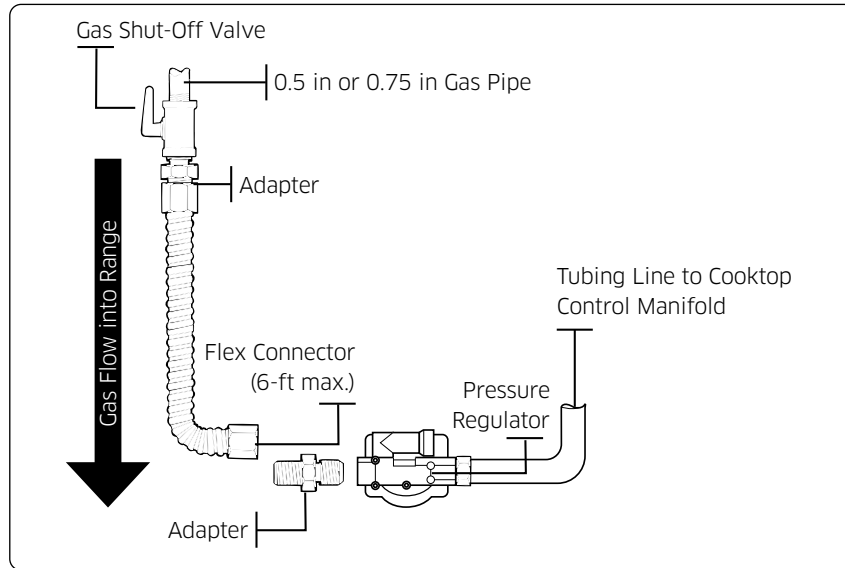
When using test pressures greater than ½ psig to pressure-test the gas supply system of the residence, disconnect the range and individual shut-off valve from the gas supply piping. When using test pressures of ½ psig or less to test the gas supply system, simply isolate the range from the gas supply system by closing the individual shut-off valve.

⚠ WARNING

Do not exceed 25 ft-lbs of torque when making gas line connections. Overtightening may crack the pressure regulator resulting in gas leak.

Flexible connector hookup

Installer: Inform the consumer of the location of the gas shut-off valve.



📄 NOTE

- If your area requires a rigid pipe hookup, contact a qualified installer, service agency, or gas supplier.
- The gas shut-off valve should be installed in an accessible location in the gas piping, external to the appliance, for the purpose of turning on or shutting off the gas to the appliance.

Step 8. Convert to lp gas (optional)

All new gas ranges are shipped from the factory set up to use natural gas. This Dacor gas range can be converted to use LP gas.

(Contact a qualified service technician.)

The conversion process should only be performed by a qualified LP gas installer. Conversion instructions and LP orifices will be supplied with the LP conversion kit. The conversion to LP requires all burner orifices to be changed (6 surface burners and 2 oven burners).

In addition, the nozzle on the gas pressure regulator needs to be reversed. All replaced orifices must be left with the consumer, including the instructions and retrofit sizes and orifice indication.

BURNER ORIFICE SIZES AND OUTPUT RATINGS (LP Gas [Propane] 10 in WCP)		
Burner Location	BTU Rate	Orifice Size [mm]
LF	16,500	In 0.46 / Out 0.78*2
LR	14,500	In 0.46 / Out 0.74*2
RF	16,500	In 0.46 / Out 0.78*2
RR	14,500	In 0.46 / Out 0.74*2
CF	14,500	1.12
CR	14,500	1.12

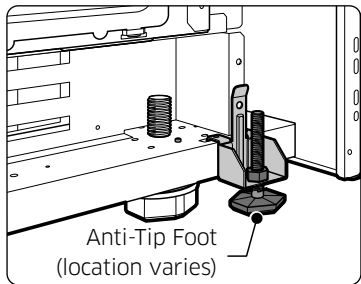
BURNER ORIFICE SIZES AND OUTPUT RATINGS (Natural Gas 5 in WCP)		
Burner Location	BTU Rate	Orifice Size [mm]
LF	22,000	In 0.85 / Out 1.40*2
LR	16,000	In 0.70 / Out 1.17*2
RF	22,000	In 0.85 / Out 1.40*2
RR	16,000	In 0.70 / Out 1.17*2
CF	16,000	1.78
CR	16,000	1.78

Installation instructions

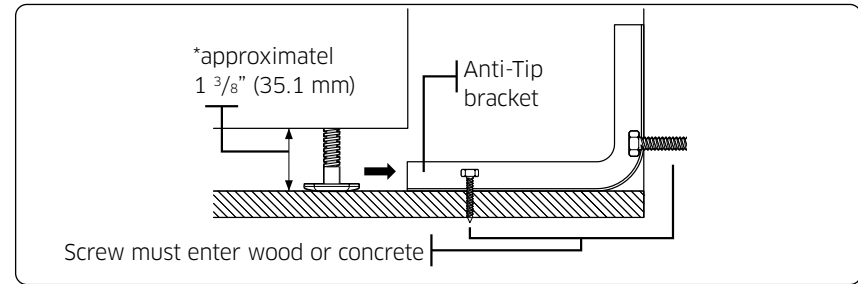
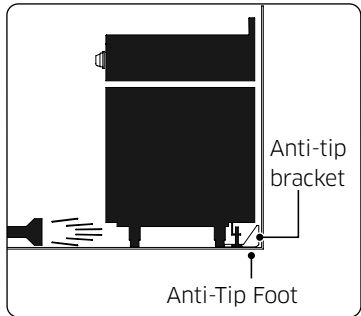
Step 9. Install the anti-tip device

⚠ WARNING

- To reduce the risk of tipping, the appliance must be secured by properly installing the anti-tip device packed with the appliance.
- All ranges can tip, resulting in personal injury.
- Tipping ranges can cause burns from spills, personal injury, and/or death.
- To prevent accidental tipping, install and check the anti-tip bracket following the instructions and template supplied with the bracket.



An anti-tip bracket and screws, installation instructions, and template are shipped with every range (PN 114475). The instructions include information necessary to complete the installation of the anti-tip bracket. Read and follow the instructions on the sheet and use the template for anti-tip bracket installation. If not properly installed, the range could be tipped by you or a child standing, sitting, or leaning on an open oven door.



NOTE

To install the Anti-tip bracket, release the leveling leg using pipe wrench because Loctite is applied on Bolt for vibration unlocking. A minimum clearance of 1 ³/₈" (35.1 mm) is required between the range bottom and the kitchen floor.

To check if the bracket is installed and engaged properly, remove the kick panel and look underneath the range to see that the leveling leg is engaged in the bracket. Carefully tip the range forward. The bracket should stop the range within 4 inches (10.2 cm) of tipping. If it does not, the bracket must be reinstalled. If the range is pulled from the wall for any reason, always repeat this procedure to verify the range is properly secured by the anti-tip bracket. Never completely remove the leveling legs or the range will not be secured to the anti-tip device properly.

Step 10. Plug in and place

⚠ WARNING

- **BEFORE OPERATING OR TESTING, follow the grounding requirements on pages 16-17 in this manual. Improper connection of the grounding plug can result in a risk of electric shock.**

Please review "Electrical requirements" on pages 16-17.

- Altering any part of this system may result in a short or overload.
1. Plug in the power cord. Make sure the outlet meets local or national electrical codes as referenced on pages 16-17.
 2. Slide the range into place.
 3. Check the gas supply line to make sure it did not get damaged and it stayed connected during positioning.
 4. Check to make sure the back leg of the range has slid into the anti-tip bracket. Carefully tip the range forward to ensure that the anti-tip bracket engages the back brace and prevents tip-over.

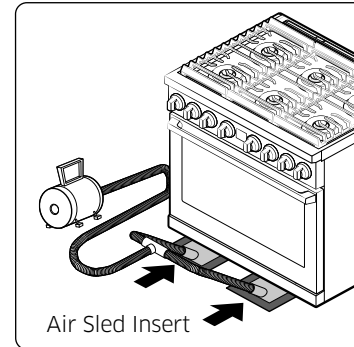
📖 NOTE

If the power cord is plugged in improperly, the following message appears on the display.

- LCD, PMOLED : Wire installation fail
- LED : bAd LinE

Reconnect the power cord properly, and the message disappears.

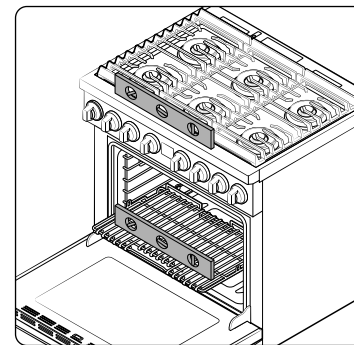
Step 11. Moving and placing the range



1. Due to the weight, heavy equipment movers such as Air Sled should be used to move this unit. The weight must be supported uniformly across the bottom.
2. After transporting the range by Air Sled where you want, the range can be leveled by adjusting the legs with a wrench while Air Sled is supported. Using a wrench, level the range by turning the front leveling legs in or out as necessary. Counterclockwise shortens the leg and lowers the range. Clockwise lengthens the leg and raises the range.

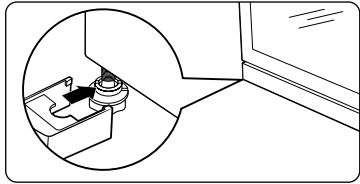
📖 NOTE

Adjust the leveling legs only as far as necessary to level the range. Extending the leveling legs more than necessary or removing legs can cause the range to be unstable.



3. If range is next to or between cabinets, make sure the cooktop (without the surface burner grates) is level with the countertops.
4. Position an oven rack in the center rack position.
5. Check the level of the range with a carpenter level using the two positions shown at right.
6. After the range becomes level, Use Air Sled to move the range away from the wall so that the anti-tip bracket can be installed.

Installation instructions



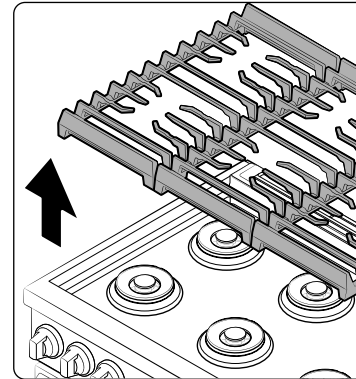
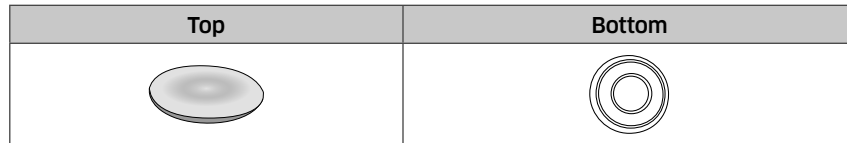
7. After installing and leveling the range, carefully remove Air Sled and install front leg covers (right and left).

Step 12. Assemble the surface burners

⚠ CAUTION

Do not operate the surface burners without all burner parts in place.

1. Position surface burner heads on top of the surface burner manifolds in the picture on the next page. The electrodes will fit into the slot in the bottom of the heads. Make sure the surface burner heads are flat and parallel with the cooktop.
2. Place the matching size caps on top of each surface burner head.



3. Place the left and right surface burner grates on the cooktop. The edges of the grates should match up with the edges of the cooktop.

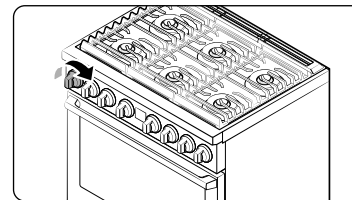
📖 NOTE

- Grates should be placed on its own position because they are not interchangeable.
- You can recognize the right position of the grates by checking the bottom side of each. Look for engraved position on right and left grate, "RIGHT REAR" and "LEFT REAR" respectively.
- The grates are heavy. Be careful while handling the grates.

Step 13. Check the ignition of surface burners and oven burners

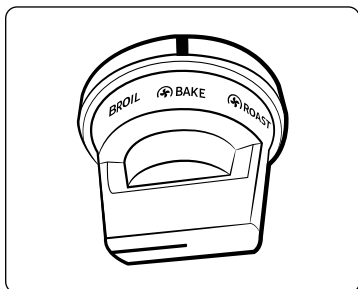
Check the operation of all cooktop and oven burners after the range has been installed and assembled, gas supply lines have been carefully checked for leaks, and electrical power cord has been plugged in. All surface and oven burners have electronic ignition.

To turn on a surface burner:



1. Push in the control knob, and then turn it to the **LITE** (🔥) position. You will hear a "clicking" sound indicating the electronic ignition system is working properly.
2. Turn the control knob to adjust the flame level.

To start the bake and broil burners:



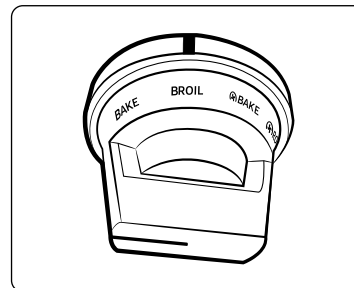
1. Rotate the mode selector knob from **OFF** to **Convection Bake**, **Convection Roast**, or **Pure Convection**.
2. Rotate the temperature selector knob from the **OFF** position to change the temperature. You can set the oven to any temperature from **LO** to 550 °F.
 - The gas oven preheats until it reaches the temperature you set.
 - When preheating is complete, place the food in the gas oven, and then close the door.
3. When cooking is complete, rotate both mode and temperature selector knobs to the **OFF** position, and then take out the food.

NOTE

To change the temperature during cooking, use the temperature selector knob.

To start the broil burners:

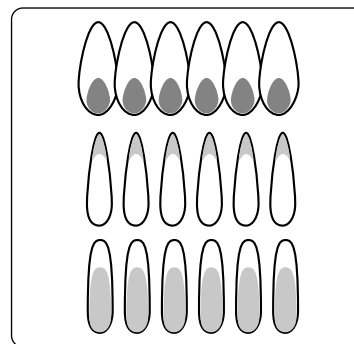
Broiling uses an upper gas oven alone to brown food. Meat or fish must be put on a broiling grid in a broiling pan.



1. Turn the mode selector knob from **OFF** to the **Broil** position, and then rotate the temperature selector knob to set the broiling temperature from **OFF** to **HI** or **LO**.
2. When broiling on either side is complete, rotate both mode and temperature selector knobs to the **OFF** position.

Checking the flame quality:

All combustion flames need to be visually checked to determine their flame quality.



1. **Prevailing soft blue flames**—Normal for natural gas operation.
2. **Yellow tips on outer cones**—Normal for LP gas operation.
3. **Yellow flames**—Abnormal for any gas operation; call for service.

NOTE

If burner flame looks like 3, the range should not be used until it is serviced. Call Dacor for service. Normal burner flames shall look like 1 or 2, depending on the gas type you use.

Installation instructions

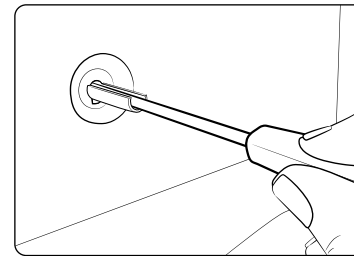
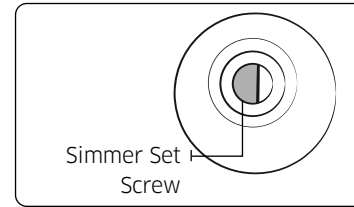
Step 14. Final installation checklist

You have just completed installing your range. Make sure all controls are in the **OFF** position and the flow of ventilation air to the range is unobstructed. The following is a checklist to confirm your range is safely installed and ready for operation.

- Gas line has been properly connected to the range. The gas has been turned on. All connections have been checked for leaks.
- Range is plugged into the properly grounded electrical receptacle.
- Approved anti-tip bracket is properly installed and engaged with the range.
- Range is leveled and is firmly sitting on a solid, level floor.
- All burners have been tested for proper operation.

To adjust flame low setting

Identify which burner is exhibiting too high or too low simmer flame size, adjust as necessary by following steps below:



1. Rotate a knob to "**LO**" position and remove the knob from the valve shaft while the flame is lit.
2. Carefully push the screw driver into the stem of the valve, until it hits the simmer set screw. Make sure the screwdriver flathead is seated into the set screw groove.
3. Rotate valve set screw clockwise to decrease "**LO**" setting flame output, or rotate set screw counter clockwise to increase "**LO**" setting flame output.

⚠ WARNING

1. Do not completely remove the valve set screw from the valve stem. The valve set screw is an integral part of the gas valve assembly. Removing the valve set screw will cause gas to leak.
2. After adjusting the valve set screw, inspect the assembly for gas leaks.

Memo



DG68-01106G-00

Dacor • 14425 Clark Avenue, City of Industry, CA 91745 • Phone: 833-353-5483(USA), 844-509-4659(Canada) • www.dacor.com

dacor

Manual de instalación

Estufa de combustible dual Pro

DOP36*86D**

ADVERTENCIA: Si no se sigue la información de este manual con exactitud, podrían producirse incendios o explosiones que causen daños a la propiedad, lesiones personales o muerte.

- **NO** debe almacenarse ni utilizarse gasolina u otros líquidos y vapores inflamables cerca de este u otros artefactos.
- **QUÉ HACER SI HAY OLOR A GAS:**
 - NO intente encender ningún electrodoméstico.
 - NO toque ningún interruptor eléctrico.
 - NO utilice ningún teléfono dentro del edificio.
 - Llame inmediatamente al proveedor de gas desde el teléfono de un vecino. Siga las instrucciones del proveedor de gas.
 - Si no puede comunicarse con el proveedor de gas, llame al departamento de bomberos.
- La instalación y el servicio técnico deben ser realizados por un instalador calificado, agencias de servicio técnico o el proveedor de gas.

DISPOSITIVO ANTI INCLINACIÓN



ADVERTENCIA

TODAS LAS ESTUFAS PUEDEN INCLINARSE, LO QUE PUEDE TENER COMO RESULTADO LESIONES PERSONALES. LAS ESTUFAS INCLINADAS PUEDEN CAUSAR QUEMADURAS POR DERRAMES, LESIONES PERSONALES O LA MUERTE. INSTALE Y VERIFIQUE LA MÉNSULA ANTI INCLINACIÓN SEGÚN LAS INSTRUCCIONES Y LA PLANTILLA PROVISTA CON LA MÉNSULA.

- Para evitar que se incline la estufa, fije al piso un dispositivo anti inclinación aprobado. (Consulte Instalación del dispositivo anti inclinación en las Instrucciones de instalación.) Incline cuidadosamente la estufa hacia adelante para verificar que la instalación se haya realizado correctamente. El dispositivo anti inclinación debe conectarse y evitar que la estufa se incline.
- Si por alguna razón se separa la estufa de la pared, asegúrese de que vuelva a conectarse el dispositivo anti inclinación luego de volver a colocar la estufa en su lugar.
- Siga las instrucciones de instalación que se encuentran en el Manual de instalación. No seguir estas instrucciones puede ocasionar muerte, lesiones personales graves o daños a la propiedad.
- **NO se pare / sienta / apoye** sobre la puerta ni el cajón para evitar la inclinación accidental de la estufa.

Contenido

Antes de comenzar	4
Acerca de este manual	4
Información importante de seguridad	4
Lea todas las instrucciones antes de usar este electrodoméstico	4
Símbolos usados en este manual	4
California Proposición 65 Advertencia	5
Mancomunidad de Massachusetts	5
Seguridad general	5
Seguridad contra incendios	6
Seguridad del gas	6
Seguridad de la electricidad y la conexión a tierra	7
Seguridad de la instalación	7
Seguridad de la ubicación	8
Seguridad de la cubierta	8
Seguridad del horno	9
Seguridad durante la auto-limpieza del horno	10
Componentes de la estufa a gas	10
Especificaciones de la estufa de combustible dual	10
Requisitos de instalación	12
Requisitos de ubicación	12
Guía de instalación	13
Para retirar en forma segura del pallet	14
Para evitar la rotura	14
Requisitos para el gas	15
Requisitos especiales para el gas (modelos a gas vendidos en Massachusetts)	16
Requisitos eléctricos	16

Herramientas y materiales	18
Contenido de la caja	18
Instrucciones de instalación	19
Instalación de la estufa de combustible dual	19

Antes de comenzar

Acerca de este manual

Lea estas instrucciones con detenimiento en su totalidad.

Nota importante para el instalador

- Lea todas las instrucciones contenidas en este manual antes de instalar la estufa.
- Retire todos los materiales de empaque de los compartimientos del horno antes de conectar la alimentación eléctrica y el suministro de gas a la estufa.
- Cumpla todos los códigos y ordenanzas exigidos por las autoridades pertinentes.
- Asegúrese de dejar estas instrucciones al usuario.
- La instalación de este artefacto requiere conocimientos mecánicos básicos.
- La instalación adecuada es responsabilidad del instalador.
- La falla del producto debido a una instalación inadecuada no está cubierta por la Garantía.

Nota importante para el usuario

Conserve estas instrucciones con el manual del usuario para consultas futuras.

- Como con cualquier artefacto que genera calor, existen ciertas precauciones de seguridad que se deben cumplir.
- Asegúrese de que su electrodoméstico sea correctamente instalado y conectado a tierra por un técnico calificado.
- Asegúrese de que los revestimientos de las paredes alrededor de la estufa pueden soportar el calor que ésta genera.
- Los gabinetes de almacenamiento deben colocarse un mínimo de 30 pulgadas (76.2 cm) por encima de la superficie de los quemadores.

Nota importante para el servicio técnico

El diagrama eléctrico se encuentra en un sobre fijado a la parte trasera de la estufa.

Información importante de seguridad

Lea todas las instrucciones antes de usar este electrodoméstico

- Todos los equipos eléctricos y a gas con piezas móviles pueden ser peligrosos. Lea las instrucciones de seguridad importantes para este electrodoméstico que se incluyen en este manual. Se deben seguir las instrucciones a fin de minimizar el riesgo de lesión, muerte o daño a la propiedad.
- Guarde este manual. No lo deseche.

Símbolos usados en este manual

ADVERTENCIA

Prácticas peligrosas o inseguras que pueden provocar lesiones personales graves o la muerte.

PRECAUCIÓN

Prácticas peligrosas o inseguras que pueden provocar descargas eléctricas, lesiones personales o daños a la propiedad

NOTA

Instrucciones y sugerencias útiles

Estos iconos y símbolos de advertencia se incluyen para evitar que usted u otras personas sufran lesiones. Sígalas explícitamente. Una vez que haya leído esta sección, consérvela en un lugar seguro para consultas futuras.

California Proposición 65 Advertencia



ADVERTENCIA

Cáncer y Daño Reproductivo - www.P65Warnings.ca.gov

Mancomunidad de Massachusetts

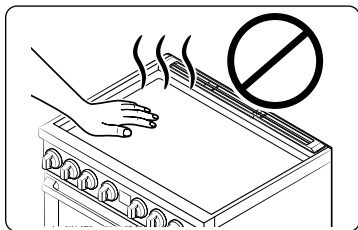
Este producto debe ser instalado por un plomero con licencia o un gasista matriculado o con licencia del Estado de Massachusetts. Cuando se utilicen válvulas de bola para el cierre del gas, se debe usar una manija en forma de "T". No deben conectarse varios conductos flexibles de gas en serie.

Seguridad general



ADVERTENCIA

Para reducir el riesgo de incendio, descarga eléctrica, lesiones personales y muerte, obedezca las siguientes precauciones.



- **No toque** ninguna parte de la estufa, incluyendo, entre otros, los quemadores del horno, los quemadores superiores o las partes internas durante la cocción o inmediatamente después de cocinar.
- **Debe conocer** la ubicación de la válvula de cierre del gas y cómo cerrarla si es necesario.
- **Asegúrese** de que el **dispositivo anti inclinación** esté correctamente instalado en la estufa. Consulte las instrucciones de instalación para obtener más información.
- **No permita que los niños se acerquen** a la estufa ni que se metan o se paren sobre ella. No permita que los niños jueguen con la estufa ni con ninguna parte de la estufa. Los niños no deben quedar sin vigilancia en el lugar donde se utiliza la estufa. Para la seguridad de los niños, recomendamos utilizar la función de control/bloqueo de la puerta.

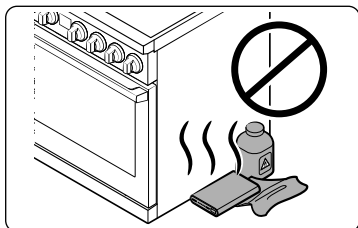
- **Quite** todos los materiales de empaque de la estufa antes de utilizarla para evitar que se prendan fuego. Mantenga todos los materiales de empaque fuera del alcance de los niños. Deseche adecuadamente los materiales de empaque luego de desembalar la estufa.
- **No guarde** ningún objeto que resulte de interés para los niños sobre la cubierta o el protector posterior de la estufa. Los niños que se trepan a la estufa para alcanzar un objeto podrían morir o resultar seriamente lesionados.
- **No opere** la estufa si esta o alguna de sus partes se encuentran dañadas, no funcionan correctamente o si falta alguna pieza.
- **No utilice** la estufa como calefactor del ambiente. Esta estufa se debe usar exclusivamente para cocinar.
- **No utilice** limpiadores para horno ni revestimientos de horno dentro o cerca de ninguna parte del horno.
- **Utilice** únicamente agarradores aislantes secos.
- **No utilice** la estufa para calentar recipientes cerrados con alimentos.
- **No golpee** el vidrio del horno.
- Al desechar la estufa, **corte** el cable de alimentación y **quite** la puerta.
- **Desenchufe** o **desconecte** la alimentación antes de realizar tareas de mantenimiento o reparación.
- **Asegúrese** de que todas las carnes de res y de ave se cocinen bien. La carne de res debe cocinarse siempre a una temperatura interna de 160 °F (71 °C). La carne de ave debe cocinarse siempre a una temperatura interna de 180 °F (82 °C).

Información importante de seguridad

Seguridad contra incendios

⚠ ADVERTENCIA

Para reducir el riesgo de incendio, descarga eléctrica, lesiones personales y muerte, obedezca las siguientes precauciones.



- **No guarde, coloque ni use** materiales inflamables o combustibles como carbón, papel, plástico, agarradores aislantes, ropa de cama, cortinas, gasolina u otros vapores o líquidos inflamables cerca o en el interior de la estufa.
- **No lleve** prendas amplias o colgantes mientras utiliza la estufa.

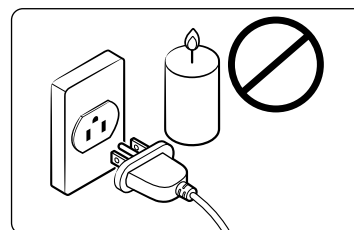
- Para evitar la acumulación de grasa, **limpie regularmente** las ventilaciones.
- **No permita** que agarradores aislantes u otros materiales inflamables entren en contacto con el elemento calentador. No utilice una toalla u otras telas voluminosas como agarrador aislante.
- **No use** agua para apagar un fuego provocado por la grasa. Para extinguir el fuego de la materia grasa, apague la fuente de calor y sofoque el fuego con una tapa que ajuste bien o utilice un extinguidor de incendios de polvo químico seco o de espuma para usos diversos.
- Si la grasa llegara a encenderse dentro del horno, **apague el horno** girando la perilla selectora de modo a la posición **OFF (APAGADO)**. Mantenga cerrada la puerta del horno hasta que se extinga el fuego. De ser necesario, **utilice** un extinguidor de incendios de polvo químico seco o de espuma para usos diversos.
- **No caliente** recipientes cerrados con alimentos. La acumulación de presión puede causar que el recipiente explote y provocar lesiones.

Seguridad del gas

⚠ ADVERTENCIA

Para reducir el riesgo de incendio, descarga eléctrica, lesiones personales y muerte, obedezca las siguientes precauciones.

Si hay olor a gas:



- **Cierre la válvula** y no use la estufa.
- **NO encienda** cerillos, velas ni cigarrillos.
- **NO encienda** ningún artefacto eléctrico o de gas.
- **No toque** ningún interruptor eléctrico ni enchufe el cable de alimentación en un tomacorriente.
- **No utilice** ningún teléfono dentro del edificio.
- **Evacue** a todos los ocupantes del ambiente, edificio o área.
- **Llame inmediatamente** al proveedor de gas desde el teléfono de un vecino. Siga las instrucciones del proveedor de gas.
- Si no puede comunicarse con el proveedor de gas, llame al departamento de bomberos.

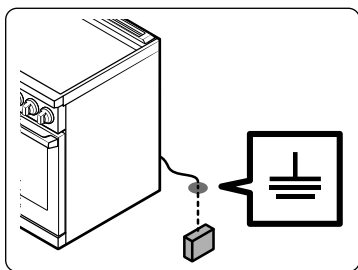
Verificación de pérdidas de gas

- La prueba de pérdidas del artefacto debe ser realizada de acuerdo con las instrucciones del fabricante. **No utilice** una llama para verificar si hay fugas de gas. Utilice un cepillo para esparcir una mezcla de agua jabonosa alrededor del área que está verificando. Si hay una fuga de gas, verá pequeñas burbujas en la mezcla de agua jabonosa en el punto de la pérdida.

Seguridad de la electricidad y la conexión a tierra

⚠ ADVERTENCIA

Para reducir el riesgo de incendio, descarga eléctrica, lesiones personales y muerte, obedezca las siguientes precauciones.

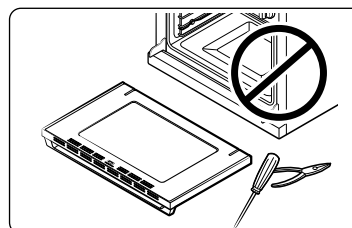


- Enchufe el artefacto a un tomacorriente de 3 clavijas conectado a tierra.
 - **No retire** la clavija de conexión a tierra.
 - **No utilice** un adaptador ni un cable prolongador.
 - **No utilice** un enchufe o un cable de alimentación dañado ni un tomacorriente flojo.
 - **No modifique** el enchufe, el cable de alimentación ni el tomacorriente de ninguna manera.
- **No coloque** un fusible en el circuito neutral o de conexión a tierra.
 - Utilice un circuito eléctrico exclusivo de CA, 240 voltios, 60 Hz, 40 A y equipado con fusibles para esta estufa. Se recomienda un fusible de retardo o un disyuntor. No conecte más de un artefacto a este circuito.
 - **No conecte** el cable a tierra a cañerías de plomería de plástico, tuberías de gas o tuberías de agua caliente.
 - Esta estufa **debe conectarse a tierra**. En el caso de fallas o averías, la conexión a tierra reducirá el riesgo de sufrir descargas eléctricas, ya que le ofrece una ruta a la corriente eléctrica. Esta estufa está equipada con un cable que dispone de un enchufe con conexión a tierra. El enchufe debe enchufarse firmemente en un tomacorriente que esté correctamente instalado y que disponga de conexión a tierra, de acuerdo con los códigos y ordenanzas locales. Si no está seguro de si el tomacorriente está conectado correctamente a tierra, debe verificarlo un electricista matriculado.
 - El servicio eléctrico que alimentará a la estufa debe cumplir con los códigos locales. Además de los códigos locales, debe cumplir con la versión más reciente de ANSI/NFPA Nro. 70 (para EE.UU.) o con la versión más reciente del Código eléctrico de Canadá CSA C22.1.
 - Es responsabilidad personal del propietario de la estufa brindar el servicio eléctrico correcto para este equipo.

Seguridad de la instalación

⚠ ADVERTENCIA

Para reducir el riesgo de incendio, descarga eléctrica, lesiones personales y muerte, obedezca las siguientes precauciones.



- Un **instalador calificado** debe realizar la instalación y la conexión a tierra correcta, de acuerdo con las instrucciones de instalación. Solo instaladores de estufas de gas calificados o técnicos de servicio deberían realizar los ajustes y el servicio técnico.
- **No intente** realizar el servicio, modificar ni reemplazar ninguna pieza de la estufa a menos que este manual lo recomiende específicamente. Todas las demás tareas de servicio técnico deben ser encomendadas a un técnico calificado.
 - Utilice siempre conectores flexibles nuevos cuando instale un artefacto a gas. **No utilice** conectores flexibles viejos.
 - **Asegúrese** de que el dispositivo anti inclinación esté correctamente instalado en la estufa. Consulte las instrucciones de instalación para obtener más información.
 - Debido al tamaño y al peso de la estufa, se necesitan **dos personas o más** para moverla.
 - **Retire** toda la cinta y el material de empaque.
 - **Retire** todos los accesorios de la cubierta y del horno. Las rejillas son pesadas. Tenga cuidado al manipularlas.
 - **Asegúrese** de que no se hayan aflojado piezas durante el transporte.

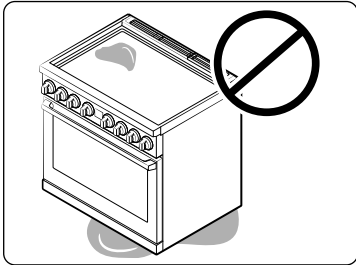
Información importante de seguridad

- **Asegúrese** de que un técnico de servicio o instalador calificado instale y ajuste correctamente la estufa según el tipo de gas (natural o LP) que utilizará. Utilice gas LP para su estufa. El instalador debe reemplazar los 6 orificios de quemadores superiores por el conjunto de orificios para LP provisto. También debe invertir el adaptador GPR. Estos ajustes deben ser realizados por un técnico de servicio calificado de acuerdo con las instrucciones del fabricante y con todos los códigos y requisitos de la autoridad pertinente. La agencia calificada que realice este trabajo asume toda la responsabilidad de la conversión del gas.
- La instalación de esta estufa debe cumplir con los códigos locales o, a falta de ellos, con la versión más reciente del Código nacional de gas combustible, ANSI Z223.1/NFPA.54. En Canadá, la instalación debe cumplir con el Código de instalación para gas natural CAN/CGA-B149.1 actual o con el Código de instalación para propano CAN/CGA-B149.2 actual y con los códigos locales, cuando corresponda. El diseño de esta estufa ha sido certificado por ETL según la versión más reciente de ANSI Z21.1, y por Asociación de Gas de Canadá según la versión más reciente de CAN/CGA-1.1.

Seguridad de la ubicación

⚠ ADVERTENCIA

Para reducir el riesgo de incendio, descarga eléctrica, lesiones personales y muerte, obedezca las siguientes precauciones.



- Este horno ha sido diseñado para uso doméstico en interiores solamente. **No instale** la estufa en áreas expuestas al aire libre o el agua.
- **No instale** la estufa en un lugar que esté expuesto a una corriente de aire fuerte.

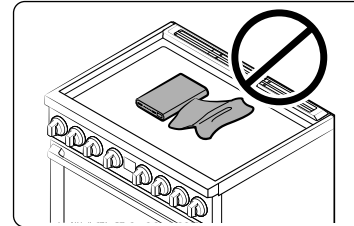
- Seleccione un piso nivelado y sólido que pueda soportar el peso de la estufa. Los pisos sintéticos, como el linóleo, deben soportar temperaturas de 180 °F (82 °C) sin encogerse, deformarse ni decolorarse. **No instale** la estufa directamente sobre alfombras interiores para cocinas a menos que se coloque madera contrachapada de ¼ pulgada o un aislante semejante entre la estufa y la alfombra.

- Seleccione una ubicación en la que haya un fácil acceso a un tomacorriente de 3 clavijas con conexión a tierra.
- Si se coloca la estufa cerca de una ventana, **no cuelgue** cortinas largas ni persianas de papel en esa ventana.
- Para que la estufa pueda ventilarse correctamente, asegúrese de que las ventilaciones no estén bloqueadas ni cubiertas, y de que haya suficiente espacio libre arriba, atrás, a los lados y por debajo de la estufa. Las ventilaciones permiten la salida de aire necesaria para que la estufa funcione adecuadamente con la combustión correcta y se obtengan buenos resultados de cocción.
- **Asegúrese** de que los revestimientos de las paredes que rodean a la estufa puedan soportar un calor de hasta 194 °F (90 °C) generado por la estufa.
- Debe evitarse colocar gabinetes de almacenamiento arriba de la superficie de la estufa. Si fuera necesario colocar gabinetes sobre la estufa, debe dejarse un espacio libre de 30 pulgadas (76.2 cm) entre la superficie de cocción y la parte inferior de los gabinetes. Para obtener información detallada, consulte la sección **Dimensiones mínimas** de la página 13.

Seguridad de la cubierta

⚠ ADVERTENCIA

Para reducir el riesgo de incendio, descarga eléctrica, lesiones personales y muerte, obedezca las siguientes precauciones.



- **Asegúrese** de que todos los quemadores estén apagados cuando no estén en uso.
- **No utilice** papel de aluminio para cubrir las rejillas ni ninguna parte de la placa de cocción.
- **No deje** los quemadores sin vigilancia en configuraciones de calor medio o alto.
- Antes de encender los quemadores, **asegúrese de que** todas las tapas estén correctamente instaladas en su lugar y que todos los quemadores estén nivelados.
- Siempre use la posición **Lite (Encender)** (⏻) al encender los quemadores y asegúrese de que todos enciendan. Si falla el encendido, gire la perilla a la posición **OFF (APAGADO)** y espere hasta que se disipe el gas.

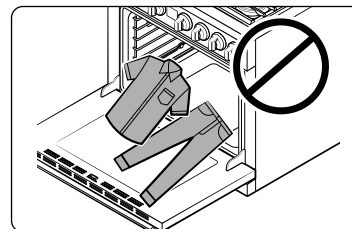
- Cuando coloque un quemador a fuego lento, **no gire** la perilla rápidamente. Asegúrese de que la llama permanezca encendida.
- **No** coloque objetos sobre la cubierta que no sean recipientes y utensilios de cocina.
- Esta cubierta está diseñada para cocinar con un wok o con el accesorio del aro para wok. Si se flambean alimentos, solo debe hacerse debajo de una campana de ventilación encendida.
- Antes de retirar o cambiar utensilios de cocina, apague los quemadores.
- Retire los alimentos y los utensilios de inmediato después de la cocción.
- Antes de retirar alguna pieza del quemador para realizar la limpieza, asegúrese de que la estufa esté apagada y completamente fría.
- Después de limpiar el distribuidor del quemador, **asegúrese** de que esté completamente seco antes de volver a ensamblarlo.
- **Asegúrese** de que la marca de encendido en el distribuidor del quemador doble esté colocada junto al electrodo al ensamblarlo.
- Para evitar el envenenamiento por monóxido de carbono, **no vierta** agua sobre el hueco de la cubierta durante la limpieza.
- Seleccione recipientes de cocina diseñados para la cocción encima de la estufa. Seleccione utensilios de cocina lo suficientemente grandes como para cubrir las rejillas de los quemadores. Ajuste las llamas de los quemadores de modo que no se extiendan más allá de la base de los utensilios de cocina.
- Para evitar que los recipientes se decoloren, se deformen o que se produzca un envenenamiento por monóxido de carbono, **no utilice** recipientes que superen en exceso el tamaño de la rejilla.
- **Asegúrese** de que las manijas de los recipientes queden orientadas hacia un lado o hacia la parte posterior de la cubierta, pero nunca sobre los demás quemadores superiores.
- Aléjese de la estufa durante la cocción mediante fritura.
- Caliente siempre los aceites para freír en forma lenta y vigíelos a medida que se calientan. Si se frien alimentos a alta temperatura, vigile cuidadosamente el proceso de cocción. Si se utilizará una combinación de grasa y aceite durante la fritura, debe mezclarlos antes de calentarlos.
- Utilice un termómetro para freidoras de inmersión cuando sea posible. Esto evita el recalentamiento de la freidora más allá del punto de generación de humo.
- Utilice una cantidad mínima de aceite durante las frituras de inmersión. Evite cocinar alimentos no descongelados o con excesiva cantidad de hielo.
- Antes de transportar recipientes llenos de grasa o aceite, asegúrese de que se hayan enfriado por completo.

- Para evitar el retraso en el punto de ebullición, siempre deje reposar los líquidos calentados durante al menos 20 segundos después de apagar el quemador, para que la temperatura del líquido pueda estabilizarse. En caso de escaldaduras, siga estas instrucciones de primeros auxilios:
 1. Sumerja el área escaldada en agua fría o tibia durante al menos 10 minutos.
 2. No se aplique cremas, aceites ni lociones.
 3. Cubra el área con un vendaje limpio y seco.

Seguridad del horno

⚠ ADVERTENCIA

Para reducir el riesgo de incendio, descarga eléctrica, lesiones personales y muerte, obedezca las siguientes precauciones.



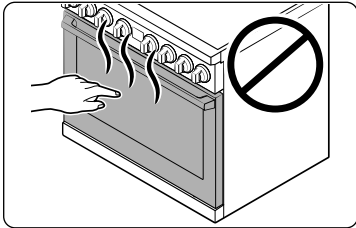
- **No utilice** el horno para otros fines que no sean la cocción, por ejemplo, para secar ropa o como lugar de almacenamiento. Utilice el horno solamente para cocinar.
- **Asegúrese** de que la parte interna de la rejilla de horno dividida esté en la posición adecuada dentro de la rejilla externa.
- **Asegúrese** de que las rejilla del horno estén colocadas al mismo nivel en cada lado.
- **No dañe, mueva ni limpie** la junta selladora de la puerta.
- **No rocíe** agua en el vidrio del horno mientras el horno esté encendido o apenas después de haberlo apagado.
- **No utilice** papel o cubiertas de aluminio en ninguna parte del horno. No utilice papel de aluminio ni materiales similares para cubrir orificios o pasajes de la parte inferior del horno ni para cubrir una rejilla del horno.
- Guarde cierta distancia respecto del horno al abrir la puerta de horno.
- Mantenga el horno libre acumulaciones de grasa.
- Al volver a colocar las rejilla del horno, **asegúrese** de que el horno esté completamente frío.
- Para evitar dañar las perillas de control de los quemadores, siempre hornee y/o ase a la parrilla los alimentos con la puerta del horno cerrada.
- **No ase** carne demasiado cerca de la llama del quemador. Recorte el exceso de grasa de la carne antes de la cocción.
- Al utilizar bolsas para cocinar o asar en el horno, siga las instrucciones del fabricante.

Información importante de seguridad

Seguridad durante la auto-limpieza del horno

⚠ ADVERTENCIA

Para reducir el riesgo de incendio, descarga eléctrica, lesiones personales y muerte, obedezca las siguientes precauciones.



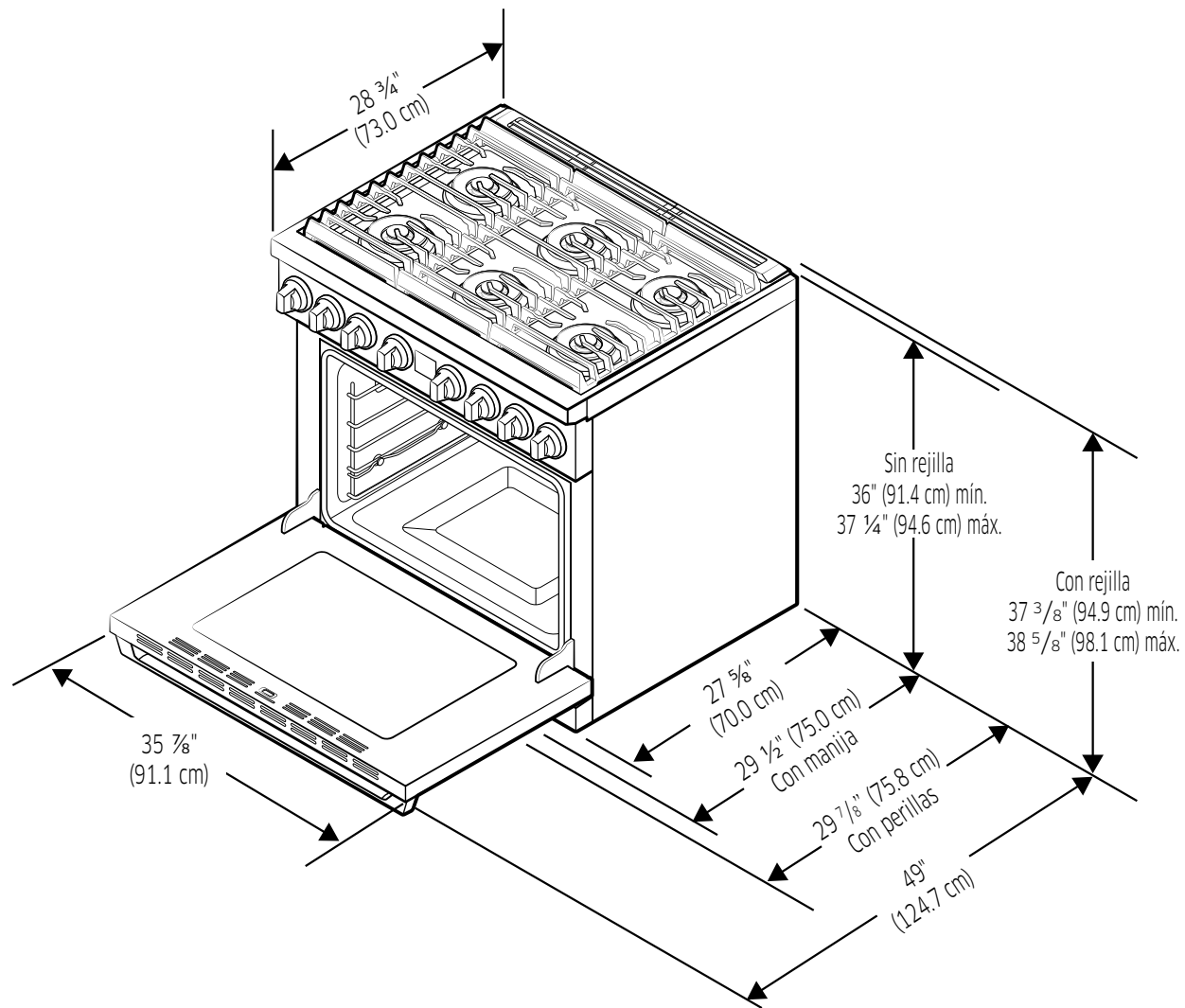
- La función de autolimpieza opera el horno a temperaturas lo suficientemente altas como para eliminar por incineración los restos de alimentos en el horno. La estufa está extremadamente caliente durante el ciclo de autolimpieza. **No toque** ninguna superficie de la estufa durante el ciclo de autolimpieza.
- Mantenga alejados a los niños durante el ciclo de autolimpieza.
- Antes de iniciar un ciclo de autolimpieza, **retire** todas las rejillas, los recipientes y los utensilios del horno. Solo pueden dejarse en el horno rejillas recubiertas de porcelana.
- Antes de iniciar un ciclo de autolimpieza, limpie la grasa y los restos de comida del horno.
- Al abrir la puerta después de un ciclo de autolimpieza, aléjese del horno.
- Si el ciclo de autolimpieza funciona mal, apague el horno, desconecte el suministro eléctrico y comuníquese con un técnico de servicio calificado.

Componentes de la estufa a gas

Especificaciones de la estufa de combustible dual

MODELO DOP36*86D**

Descripción	Estufa de combustible dual
Dimensiones totales	35 7/8 pulg. (Ancho) × 37 1/4 pulg. (Alto) × 29 1/2 pulg. (Prof.) 911 mm (Ancho) × 946 mm (Alto) × 750 mm (Prof.)
Electricidad	Consulte la etiqueta de clasificación.
Gas, GN (gas natural)	5-13 pulg. de col. de agua
Gas, LP (gas licuado de propano)	10-13 pulg. de col. de agua
Quemadores superiores (GN)	(DI)-22000 BTU / (TI)-16000 BTU (DD)-22000 BTU / (TD)-16000 BTU (DC)-16000 BTU / (TC)-16000 BTU
Quemadores superiores (LP)	(DI)-16500 BTU / (TI)-14500 BTU (DD)-16500 BTU / (TD)-14500 BTU (DC)-14500 BTU / (TC)-14500 BTU
Hornalla del horno	Hornear - 3000 W Asar a la parrilla - 4400 W



Componentes de la estufa a gas

Requisitos de instalación

Requisitos de ubicación

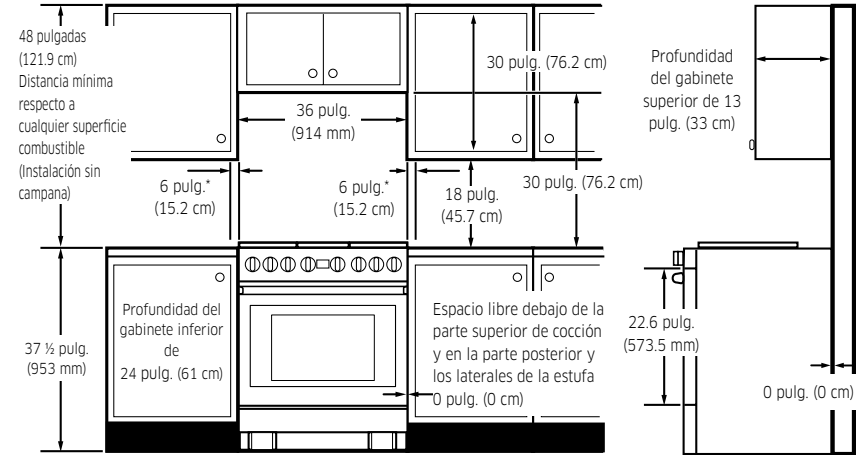
Distancias, espacios libres y dimensiones

NOTA

- Para instalar sobre estufa de gas, siga el CÓDIGO DE GAS local.
- **ANTES DE COMENZAR** a instalar este artefacto lea la siguiente información, dimensiones y espacios libres. **No ubique la estufa en un lugar donde pueda recibir corrientes fuertes de aire.** Deje espacios libres adecuados entre la estufa y las superficies combustibles adyacentes. Deben cumplirse estas dimensiones para que el uso de la estufa sea seguro. La ubicación del tomacorriente y de la tubería de gas puede ajustarse para que se cumplan las siguientes dimensiones y espacios libres.
- Para instalaciones en Canadá, una estufa de pie no debe instalarse a menos de 4.7 pulgadas (12 cm) de cualquier superficie adyacente.
- Las instalaciones sin campana requieren una distancia mínima de 48 pulgadas respecto a cualquier superficie combustible superior. Las instalaciones con campanas personalizadas que contengan superficies combustibles horizontales expuestas deben contar con una función de autoencendido. Consulte los espacios libres específicos de la campana en las instrucciones de instalación.

PRECAUCIÓN

Esta estufa ha sido diseñada para cumplir con la temperatura máxima admisible para gabinetes de madera de 194 °F (90 °C). Asegúrese de que los revestimientos de las paredes, las superficies de las mesadas y los gabinetes alrededor de la estufa puedan soportar el calor (hasta 194 °F [90 °C]) generado por la estufa. De lo contrario, se podrían producir alteraciones de color, deslaminación o derretimiento.



* Espacio libre lateral por encima de la superficie de cocción hasta cualquier objeto, por ej. la pared.

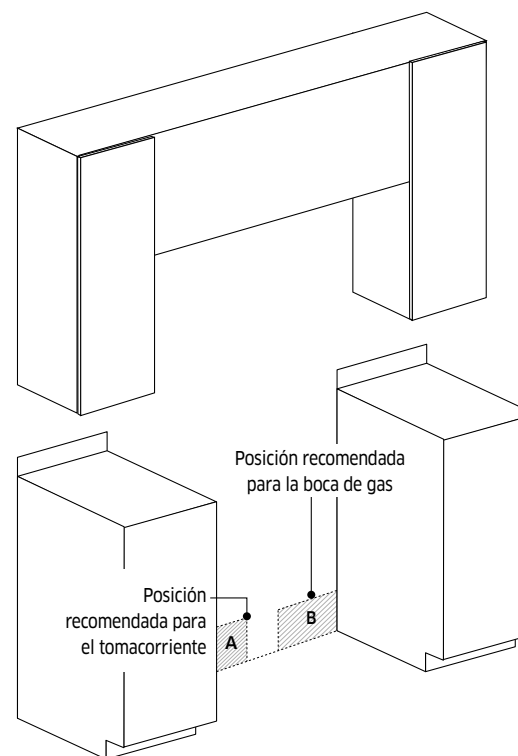
Dimensiones mínimas

⚠ PRECAUCIÓN

- Si hay gabinetes superiores instalados, también debe instalarse una campana para estufas que sobresalga horizontalmente un mínimo de 5 pulgadas (12.7 cm) con respecto al frente de los gabinetes. La campana es necesaria para disipar cualquier acumulación de calor en los gabinetes superiores a fin de evitar peligros de incendios, lesiones personales y/o muerte. La campana de ventilación debe estar fabricada con planchas de metal cuyo espesor no sea inferior a 0.0122" y debe instalarse por encima de la cubierta con un espacio libre no inferior a ¼" entre la campana y la parte inferior del gabinete de material combustible o metal. Como mínimo, la campana debe ser tan ancha como el artefacto y debe estar centrada sobre él. El espacio libre entre la superficie de cocción y la superficie de la campana de ventilación no debe ser nunca inferior a 24".
- **Excepción 1:** La instalación de un horno de microondas o artefacto de cocción indicado sobre la cubierta debe cumplir con el manual de instalación que viene con el artefacto.
 - Separación mínima de 30" (76.2 cm) entre el extremo superior de la superficie de cocción y el extremo inferior de un gabinete de madera o metal no protegido; o, si no es posible una separación de 30" (76.2 cm), puede usarse una separación mínima de 24" (61 cm) cuando el extremo inferior del gabinete de madera o metal esté protegido por un tablero ignífugo de un mínimo de ¼" (0.64 cm) cubierto con una lámina de acero Nro. 28 como mínimo, 0.015" (0.038 cm) de acero inoxidable, 0.024" (0.061 cm) de aluminio o 0.020" (0.051 cm) de cobre.
 - 18" (45.7 cm) de separación mínima entre la superficie de la mesada y la parte inferior del gabinete más cercano.
- **Excepción 2:** Para instalación tipo isla, mantenga como mínimo 2½" entre el recorte y el borde trasero de la mesada y 4" como mínimo entre el recorte y los bordes laterales de la mesada.

Guía de instalación

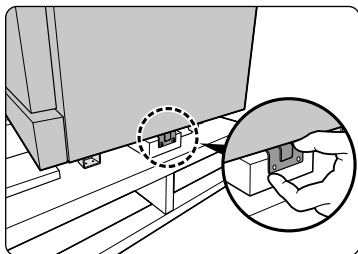
Ubicaciones recomendadas para las tuberías de gas y los tomacorrientes



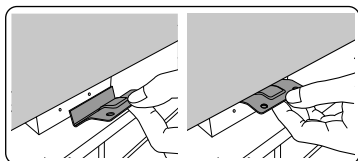
Modelo	DOP36*86D**
A	Tomacorriente 9 7/8" (Ancho) X 6 7/8" (Alto) (25.1 cm x 17.5 cm)
B	Tubería de gas 17 15/16" (Ancho) X 5 3/8" (Alto) (45.5 cm x 13.8 cm)

Requisitos de instalación

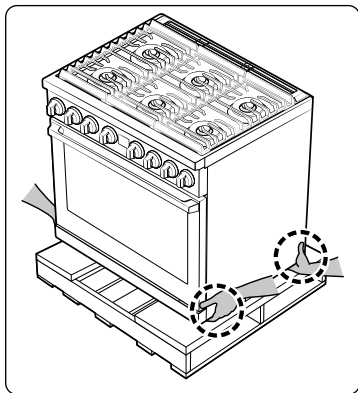
Para retirar en forma segura del pallet



1. Retire los tornillos del soporte inferior a ambos lados de la unidad.

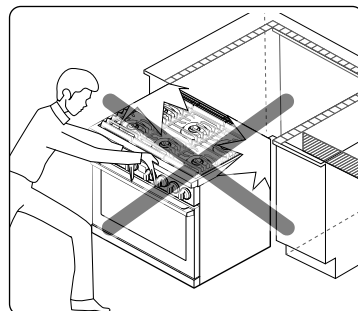


2. Presione el soporte de cada lado para retirarlo.



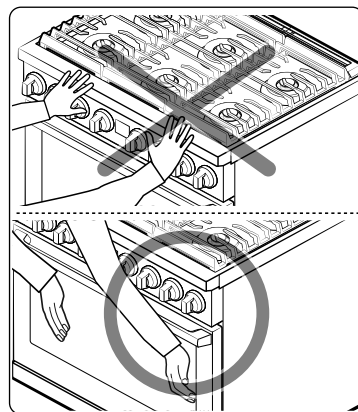
3. Dos personas deben sostener ambos lados inferiores de la unidad y levantarla para retirarla del pallet. Tenga cuidado de no sostenerla de la manija de la puerta.

Para evitar la rotura



⚠ PRECAUCIÓN

- **NO** empuje la unidad con excesiva fuerza al instalarla. Podría dañar la unidad.



- Tome la parte superior izquierda/derecha de la puerta (no la manija) con ambas manos y empuje la unidad hacia atrás. No tome la manija de la puerta.

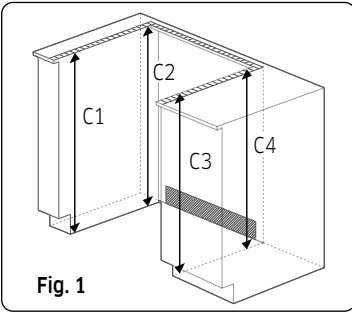


Fig. 1

1. La mesada alrededor del recorte debe ser plana y nivelada (ver zona sombreada de la Fig. 1).
2. Antes de instalar la unidad, mida la altura de los dos lados del gabinete (C1-C4), frontal y posterior (Vea la Fig. 1) desde el piso hasta la parte superior de la mesada.
3. Nivele la estufa con las cuatro patas de nivelación de modo que la altura desde el piso hasta la parte superior del marco de la cubierta esté nivelada con la mesada.
4. Deslice la unidad en el gabinete (**NO LA EMPUJE CON FUERZA**). Asegúrese de que el centro de la unidad esté alineado con el centro del recorte del gabinete.

Requisitos para el gas

Debe proveerse un suministro de gas adecuado

Esta estufa está diseñada para funcionar con una presión de 5 pulgadas (13 cm) de columna de agua con gas natural o 10 pulgadas (25 cm) de columna de agua con gas LP (propano o butano).

Asegúrese de que el suministro de gas de su estufa sea del tipo para el cual se ha diseñado.

No intente convertir el artefacto del gas especificado en este manual a un tipo de gas diferente sin consultar al proveedor de gas.

Esta estufa puede convertirse para utilizarse con gas natural o propano. Si decide utilizar esta estufa con gas LP, un instalador de LP calificado debe realizar la conversión antes de intentar operar la estufa.

Para lograr un funcionamiento correcto, la presión del gas natural suministrado al regulador debe estar entre 6 pulgadas y 13 pulgadas (13 cm y 33 cm) de columna de agua.

Para el gas LP, la presión suministrada debe encontrarse entre 11 pulgadas y 13 pulgadas (25 cm y 33 cm) de columna de agua.

Cuando compruebe que el regulador funcione correctamente, la presión de entrada debe ser al menos 1 pulgada (2.5 cm) mayor que la presión de funcionamiento (colector) tal como se da.

El regulador de presión situado en la entrada del colector de la estufa debe permanecer en la tubería de suministro independientemente de que se utilice gas natural o LP.

El conector flexible de metal del artefacto que se utiliza para conectar la estufa a la tubería de suministro de gas debe tener un diámetro interior de 0.5 pulgadas (1.3 cm) y debe tener 5 pies (152 cm) de longitud para facilitar la instalación. En Canadá, los conectores flexibles deben ser conectores de metal de lámina simple de no más de 6 pies (183 cm) de longitud.

No enrosque ni dañe la tubería flexible de metal cuando mueva la estufa.

Requisitos de instalación

Requisitos especiales para el gas (modelos a gas vendidos en Massachusetts)

REQUISITOS DEL ESTADO DE MASSACHUSETTS:

⚠️ ADVERTENCIA

- Pueden producirse pérdidas de gas en su sistema, lo que generaría una situación peligrosa.
 - Las pérdidas de gas pueden no ser detectadas únicamente por el olor.
 - Los proveedores de gas recomiendan que compre e instale un detector de gas aprobado por UL. El detector de gas debe instalarse de acuerdo con las instrucciones de los fabricantes.
- La estufa debe ser instalada por un plomero o gasista calificado en el Estado de Massachusetts.
- DEBE instalarse una válvula de gas manual con manija en forma de "T" en el conducto de suministro de gas de la estufa.
- Si se utiliza un conector de gas flexible para instalar la estufa, no deben conectarse varios conductos flexibles de gas en serie.

Requisitos eléctricos

⚠️ ADVERTENCIA

Para reducir el riesgo de incendios, descargas eléctricas o lesiones personales:

Todas las estufas

- No utilice un cable prolongador ni un enchufe adaptador con esta estufa.
- Esta estufa debe conectarse a tierra correctamente.
- Si no está seguro de que la conexión a tierra de la estufa está correctamente realizada, consulte a un electricista calificado.
- No modifique el enchufe provisto con la estufa; si no entra en el tomacorriente, solicite a un electricista calificado que instale un tomacorriente adecuado.
- Todo el cableado y la conexión a tierra deben realizarse en conformidad con los códigos locales o, en su ausencia, con la versión más reciente del Código eléctrico nacional ANSI/NFPA Nro. 70 (para EE.UU.) o con la versión más reciente del Código eléctrico de Canadá CSA C22.1 y los códigos y ordenanzas locales.
- El diagrama de cableado se encuentra en la parte posterior de la estufa. (Dentro del cable posterior de la cubierta)
- Esta estufa está equipada con un sistema de encendido electrónico que no funcionará si se lo enchufa a un tomacorriente que no esté correctamente polarizado.

Modelos de combustible dual

- Los modelos para Canadá están equipados con un cable de alimentación con un conductor de conexión a tierra del equipo y un enchufe de conexión a tierra. (El cable de alimentación no se suministra con el modelo de EE.UU.)
- Se requiere un servicio eléctrico aprobado de CA, 240 voltios y 60 Hz con un disyuntor de 40 A o un fusible de retardo para todos los modelos de EE.UU. y Canadá.
- Verifique que haya un sujetador de cables con amortiguador de esfuerzo de $\frac{3}{4}$ pulgadas (1.9 cm) certificado por UL en el lugar donde el cable sale del gabinete de la estufa.
- No vuelva a utilizar el cable de alimentación eléctrica de una estufa vieja u otro artefacto.
- El cable de alimentación eléctrica debe conservarse en el gabinete de la estufa con un sujetador de cables con amortiguador de esfuerzo con certificación UL.
- También se recomienda un fusible de retardo o un disyuntor.

Conexión a tierra

- Todas las estufas deben contar con conexión a tierra por razones de seguridad personal.
- Todos los modelos a gas cuentan con un cable de alimentación con un conductor de conexión a tierra del equipo y un enchufe de conexión a tierra.
- El enchufe debe enchufarse firmemente en un tomacorriente de 3 o 4 clavijas que esté correctamente instalado y que disponga de conexión a tierra, de acuerdo con todos los códigos y ordenanzas locales. En caso de fallas o averías, la conexión a tierra reducirá el riesgo de sufrir descargas eléctricas, ya que le ofrece una ruta a la corriente eléctrica.
- No utilice un cable de alimentación dañado ni un tomacorriente de pared flojo.
- No utilice un cable prolongador ni un adaptador con este electrodoméstico.
- Bajo ninguna circunstancia corte, modifique, retire ni desactive de ninguna manera la clavija de conexión a tierra. Si el enchufe y el tomacorriente no coinciden o tiene alguna duda, encárguese de que un electricista calificado instale el tomacorriente adecuado. El cliente debe encargarse de que un electricista calificado inspeccione el tomacorriente y el circuito para asegurarse de que el tomacorriente tenga la conexión a tierra adecuada. No se requieren ni recomiendan interruptores con detección de falla a tierra (GFCI, por su sigla en inglés) para los tomacorriente de estufas.
- **NUNCA** conecte el cable a tierra a cañerías de plomería de plástico, tuberías de gas o tuberías de agua.

PRECAUCIÓN

No seguir estas instrucciones puede provocar la muerte, un incendio o una descarga eléctrica.

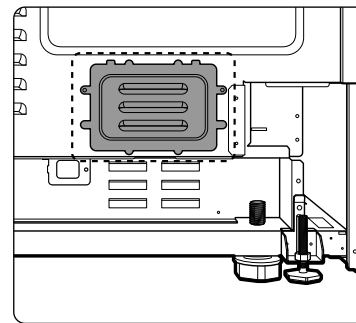
Situaciones de uso en las que el cable de alimentación se desconectará con frecuencia

No utilice un enchufe adaptador en estas situaciones, ya que al desconectar el cable de alimentación se somete al adaptador a esfuerzos excesivos, lo que genera una falla eventual del terminal de conexión a tierra del adaptador. Los enchufes de 240 V presentan 3 o 4 clavijas y no se proveen con la unidad.

Requisitos adicionales de instalación para casas rodantes

La instalación de los artefactos diseñados para casas rodantes debe cumplir con la Norma de construcción y seguridad de casas prefabricadas, Título 24 CFR, Parte 3280 (denominada anteriormente Norma federal para la construcción y la seguridad de casas rodantes, Título 24, HUD, Parte 280) o, cuando no corresponda su aplicación, la versión más reciente de la Norma para instalaciones en casas prefabricadas (lugares para casas prefabricadas, comunidades y armados), la versión más reciente de ANSI A225.1, o los códigos locales. En Canadá, la instalación en casas rodantes debe cumplir con el Código de instalación de casas rodantes CAN/CSA Z240/MH actual.

Ubicación del cable de alimentación

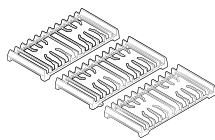


El cable de alimentación de este artefacto está ubicado en la parte posterior de la estufa, cerca de la esquina inferior izquierda.

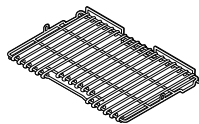
Herramientas y materiales

Contenido de la caja

Piezas provistas



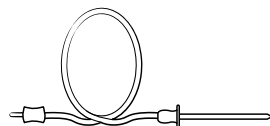
Rejillas de los quemadores superiores (3)



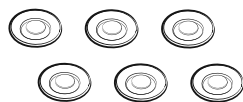
Parrilla plana (1)



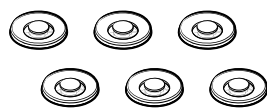
Aro para wok (1)



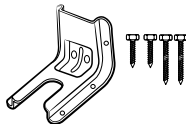
Temperatura Sonda (1)



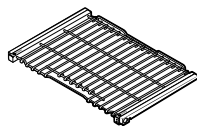
Tapa del quemador de latón (6)



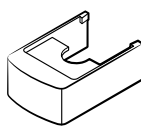
Cabezales (6) y tapas (6) de los quemadores



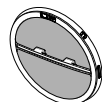
Kit de ménsula anti inclinación



Rejilla deslizantes (2)



Cubiertas de las patas delanteras (2)



Filtro de convección (2)

NOTA

- Compruebe que haya recibido todas las piezas que se han presentado.
- Si la estufa sufrió daños durante el transporte o si falta alguna de las piezas provistas, comuníquese con el comercio minorista local.

Piezas necesarias



Cable de 4 conductores o cable de 3 conductores



Válvula de cierre en la tubería de gas



Conector flexible de metal del artefacto de 1/2" (diámetro interior) x 5 pies



Adaptador de unión cónica de 3/4" o 1/2" (NPT) x 1/2" (diámetro interior)



Adaptador de unión cónica de 1/2" (NPT) x 1/2" (diámetro interior)

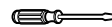


Codo de 135 grados (opcional)



Tirafondo o perno de expansión con camisa de 1/2" (diámetro exterior)

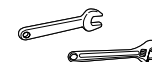
Herramientas necesarias



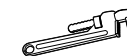
Destornillador de punta plana



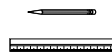
Destornillador Phillips



Llave de boca fija o ajustable



Llave Stillson (2)



Lápiz y regla



Nivel



Compuesto de unión de tuberías



Llave de tuercas



Navaja multiuso



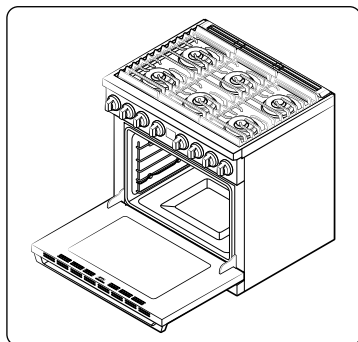
Solución de agua jabonosa

Instrucciones de instalación

Instalación de la estufa de combustible dual

NOTA

- **IMPORTANTE:** Lea con atención y en su totalidad las siguientes instrucciones y la sección de Instrucciones de seguridad importantes que se encuentra en la parte delantera de este manual ANTES de instalar u operar la estufa de gas. La instalación, ajustes, servicio técnico o mantenimiento incorrectos pueden causar lesiones personales o daños a la propiedad.



- Para solicitar piezas o accesorios, comuníquese con el comercio minorista local o consulte la última página.
- Para garantizar que la instalación se realice correctamente recomendamos especialmente que se contrate a un instalador profesional.

Paso 1. Desembalaje de la estufa

Quite todo el material de empaque. No retirar los materiales de empaque podría causar daños al electrodoméstico.

Haga un inventario de todas las piezas sueltas y compárelo con la descripción general de 'Piezas provistas' en la página 18.

Verifique que no haya daños ni piezas faltantes causados por del transporte. Debe informarse cualquier daño o pieza faltante al comercio minorista local.

Paso 2. Cumplimiento de los requisitos de conexión eléctrica

PRECAUCIÓN

Para seguridad de las personas, no utilice cables prolongadores con este electrodoméstico. Quite el fusible de su casa o corte la electricidad con el disyuntor antes de comenzar la instalación.

Este electrodoméstico debe ser alimentado con el voltaje y la frecuencia correctos, y debe conectarse a un ramal de circuito individual correctamente conectado a tierra y protegido con un disyuntor o fusible cuyo amperaje debe concordar con lo establecido en la placa de especificaciones. La placa de especificaciones se encuentra ubicada arriba del cajón en el marco del horno.

Le recomendamos que el cableado y la conexión de su estufa sean realizados por un electricista calificado. Luego de la instalación, solicítele al electricista que le muestre dónde se encuentra el principal dispositivo de desconexión de su estufa.

Verifique con su empresa local de servicio eléctrico los códigos eléctricos vigentes en su área. Si el cableado de su horno no se hace de acuerdo con los códigos en vigencia se podrían generar condiciones peligrosas.

Si no hay códigos locales, su estufa debe ser cableada y equipada con fusibles que cumplan los requisitos del National Electrical Code, ANSI/NFPA No. 70-Latest Edition.

Para obtener una copia, escriba a:

National Fire Protection Association
Batterymarch Park
Quincy, MA 02269

Con vigencia a partir del 1 de enero de 1996, el Código Eléctrico Nacional exige que en las construcciones nuevas (no existentes en ese momento) para estufas de cocina se utilicen conexiones de cuatro conductores.

Cuando instale una estufa eléctrica en una construcción nueva, siga los Pasos 2 y 3 para conexión de 4 conductores.

Debe usar un sistema eléctrico de 3 o 4 conductores, monofásico, CA. 208Y/120 voltios o 240/120 voltios, 60 hertz.

Si el servicio eléctrico provisto no cumple con las especificaciones anteriores, haga que un electricista con licencia le instale un tomacorriente aprobado.

Utilice únicamente un cable para estufas de 3 o 4 conductores incluido en las listas de UL. Estos cables pueden venir con terminales de aro y un dispositivo de sujeción con amortiguador de esfuerzo.

Se requiere un cable para estufas apto para 40 amps. con un rango de voltaje mínimo de 125/250 voltios.

Instrucciones de instalación

No se recomienda el uso de cables de 50 amps., pero si se lo utiliza debe estar marcado para uso con aberturas de conexión de 1 3/8 pulgadas de diámetro. Se debe prestar cuidado de centrar el cable y el sujetador con amortiguador de esfuerzo dentro del orificio de salida para evitar que el borde dañe el cable.

Dado que las terminales no quedan accesibles una vez que la estufa está en posición, se debe usar conducto o cable flexible.

NOTA

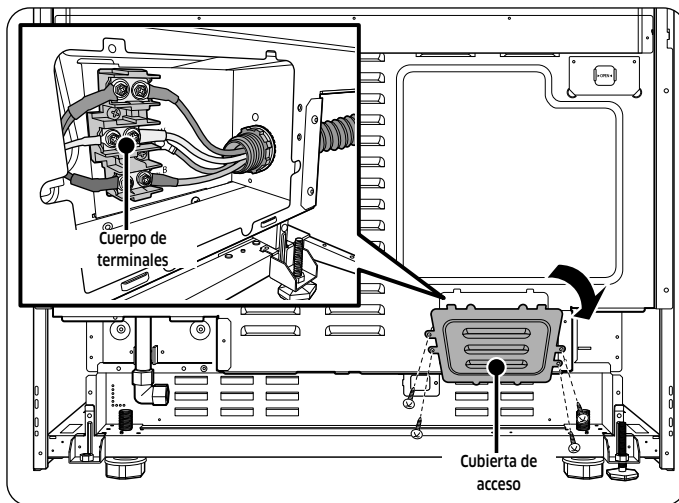
Si se utiliza un conducto, vaya al **Paso 5** en las páginas 22-23.



TODAS LAS NUEVAS CONSTRUCCIONES DE CIRCUITOS RAMALES, CASAS RODANTES, VEHÍCULOS RECREATIVOS E INSTALACIONES DONDE LOS CÓDIGOS LOCALES NO PERMITEN LA CONEXIÓN A TIERRA MEDIANTE EL NEUTRO, REQUIEREN UN CABLE PARA ESTUFAS DE 4 CONDUCTORES INCLUIDOS EN LOS LISTADOS DE UL.

Paso 3. Acceso a la conexión del cable de alimentación

Retire la cubierta de acceso de la parte posterior y afloje el tornillo con un desarmador. Habrá quedado abierto el acceso al cuerpo de terminales.

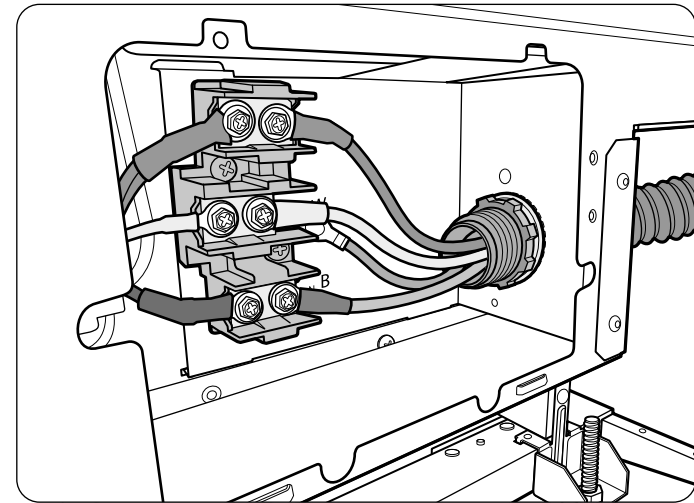


Especificaciones del kit de cable para alimentación eléctrica

Especificación de estufa, watts		Especificaciones del kit de cable para alimentación eléctrica, en amperes	Diámetro (en pulgadas) de la abertura para conexión de la estufa	
120/240 voltios 3-conductores	120/208 voltios 3-conductores		Cable de la alimentación	Conducto
8750 - 16500	7801 - 12500	40 o 50 A	1 3/8"	1 1/8"

Paso 4. Instalación del cable de alimentación

Cuando se realicen instalaciones de cables de alimentación, enganche el sujetador de cables con amortiguador de esfuerzo sobre el orificio del cable de alimentación (1 3/8") ubicado debajo de la parte trasera del cuerpo del cajón. Inserte el cable de alimentación atravesando el sujetador-amortiguador y ajuste el dispositivo.

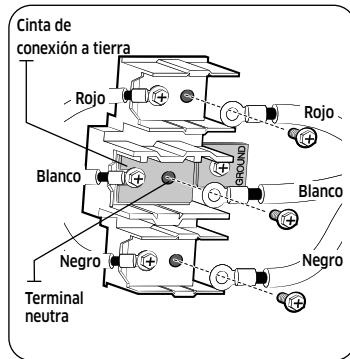


- El cable de alimentación se debe instalar con un sujetador-amortiguador.
- Fije el sujetador de cables con amortiguador de esfuerzo a la abertura de 1 3/8 pulgadas en la placa de conexión del conducto.

Instalación de un cable de alimentación de 3 conductores

⚠ ADVERTENCIA

El conductor neutral o de tierra del cable de alimentación debe conectarse a la terminal neutra ubicada en el centro del cuerpo de terminales. Los chicotes de cable que portan corriente deben conectarse a las terminales inferior izquierda e inferior derecha del cuerpo de terminales.

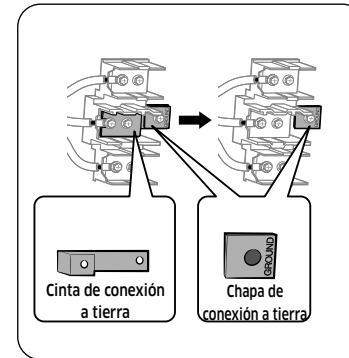


1. Retire los tornillos de las tres terminales inferiores del cuerpo de terminales.
2. Introduzca los 3 tornillos terminales a través de cada aro terminal del cable de alimentación y dentro de las terminales inferiores del cuerpo de terminales. Asegúrese de que el conductor central (blanco/neutral) sea conectado a la posición central inferior del cuerpo de terminales.
3. Ajuste los tornillos al cuerpo de terminales en forma segura. **NO retire la cinta de conexión a tierra.**
4. Vaya al **Paso 6** en la página 23 y continúe con la instalación.

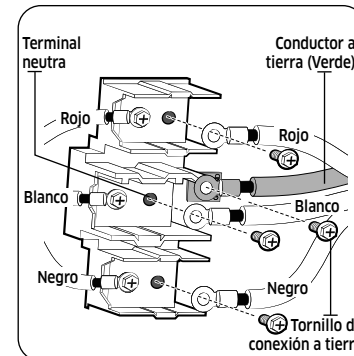
Instalación de un cable de alimentación de 4 conductores

⚠ ADVERTENCIA

ADVERTENCIA El conductor neutral del circuito de alimentación debe conectarse a la terminal ubicada en la parte central inferior del cuerpo de terminales. Los chicotes de cable que portan corriente deben conectarse a las terminales inferior izquierda e inferior derecha del cuerpo de terminales. El cuarto chicote de conexión a tierra debe conectarse al marco de la estufa con la chapa y el tornillo de conexión a tierra.



1. Retire los tornillos de las tres terminales inferiores del cuerpo de terminales. Retire el tornillo y la chapa de conexión a tierra y guárdelos.
2. **Corte y descarte la cinta de conexión a tierra. No descarte ningún tornillo.**
3. Introduzca el único tornillo de tierra en la terminal de aro de tierra del cable de alimentación, también a través de la chapa de conexión a tierra y dentro del marco de la estufa.
4. Introduzca los 3 tornillos terminales (retirados anteriormente) a través de cada aro terminal del cable de alimentación y dentro de las terminales inferiores del cuerpo de terminales. Asegúrese de que el conductor central (blanco/neutral) sea conectado a la posición central inferior del cuerpo de terminales. Ajuste los tornillos al cuerpo de terminales en forma segura.
5. Vaya al **Paso 6** en la página 23 y continúe con la instalación.

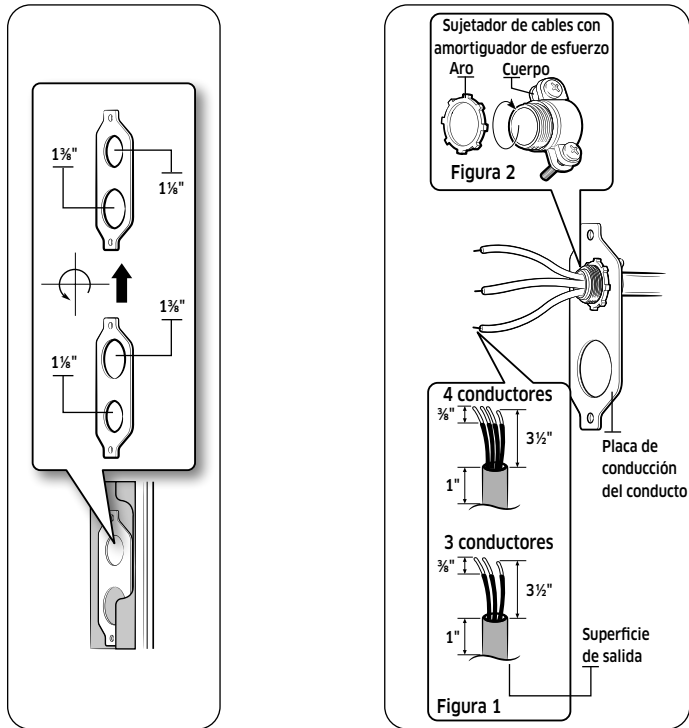


Instrucciones de instalación

Paso 5. Instalación del conducto

Retire la placa de conexión del conducto de la parte trasera del cuerpo del cajón y rótela como se muestra abajo.

Se debe utilizar el orificio de conducto (1 1/8").

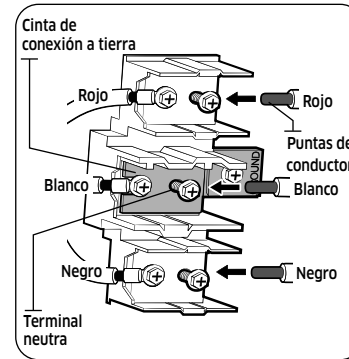


1. Prepare el cable de conducto que se muestra en la Figura 1.
2. Instale el cable de conducto como se muestra en la Figura 2.

En el caso de instalaciones de conducto, introduzca el sujetador de cables con amortiguador de esfuerzo en el orificio del conducto (1 1/8"). Luego pase el cable de conducto a través del cuerpo del sujetador-amortiguador y ajuste el tornillo. Reinstale la placa.

Instalación de un conducto de 3 conductores

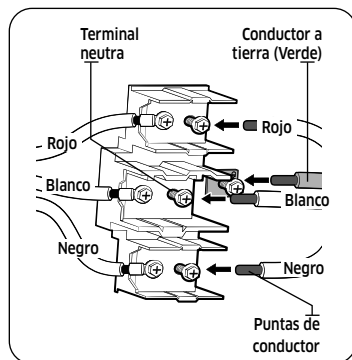
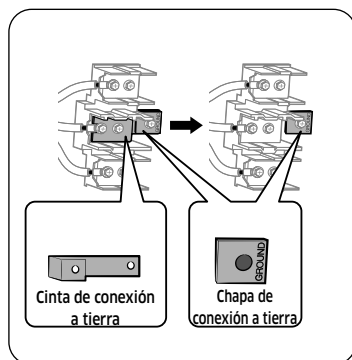
- Se puede utilizar alambre de construcción de aluminio pero debe estar graduado y aprobado para los amperajes y voltajes correctos para hacer la conexión. Conecte los conductores de acuerdo con el Paso 4, dependiendo del número de conductores.
- Los conductores utilizados, la ubicación y el encapsulamiento de uniones, etc. deben cumplir con las buenas prácticas de cableado y los códigos locales.



1. Afloje los tornillos de las 3 terminales inferiores del cuerpo de terminales.
2. Introduzca la punta desnuda del conductor central (blanco/neutro) a través de la abertura en la parte central inferior del cuerpo de terminales. En ciertos modelos, será necesario introducir el conductor a través de la abertura de la cinta de conexión a tierra y luego dentro de la abertura en la parte central inferior del cuerpo de terminales.
3. Introduzca las puntas desnudas de los dos conductores laterales en las aberturas inferior izquierda e inferior derecha del cuerpo de terminales.
4. Ajuste los tornillos hasta que los conductores queden firmemente anclados (35 a 50 pulgadas-libras de torque). No ajuste los tornillos en exceso porque esto podría dañar los conductores.
5. Vaya al **Paso 6** en la página 23 y continúe con la instalación.

Instalación de un conducto de 4 conductores

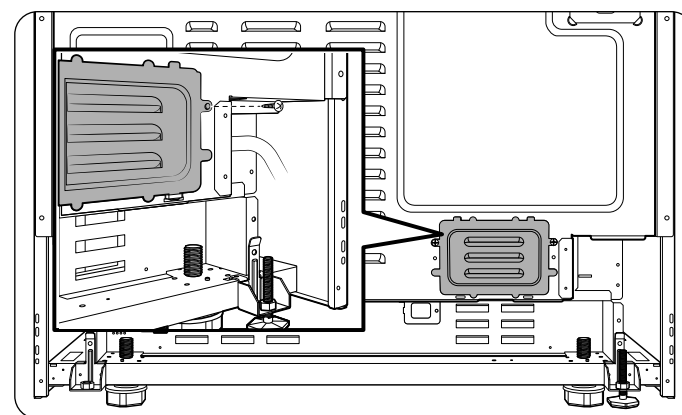
- Se puede utilizar alambre de construcción de aluminio pero debe estar graduado y aprobado para los amperajes y voltajes correctos para hacer la conexión. Conecte los conductores de acuerdo con este Paso 4, dependiendo del número de conductores.
- Los conductores utilizados, la ubicación y el encapsulamiento de uniones, etc. deben cumplir con las buenas prácticas de cableado y los códigos locales.



1. Afloje los tornillos de las 3 terminales inferiores del cuerpo de terminales. Retire el tornillo y la chapa de conexión a tierra y guárdelos.
2. **Corte y descarte la cinta de conexión a tierra. No descarte ningún tornillo.**
3. Inserte la punta desnuda del conductor de tierra entre el marco de la estufa y la chapa de conexión a tierra (retirados anteriormente) y fíjelo en su lugar con el tornillo de conexión a tierra.
4. Introduzca la punta desnuda del conductor (blanco/neutro) a través de la abertura en la parte central inferior del cuerpo de terminales.
5. Introduzca las puntas desnudas de los dos conductores laterales en las aberturas inferior izquierda e inferior derecha del cuerpo de terminales.
6. Ajuste los tornillos hasta que los conductores queden firmemente anclados (35 a 50 pulgadas-libras de torque). No ajuste los tornillos en exceso porque esto podría dañar los conductores.
7. Vaya al **Paso 6** y continúe con la instalación.

Paso 6. Colocación de la cubierta de acceso

Recoloque la cubierta de acceso en la parte trasera de la estufa. Para recolocar la cubierta de los conductores, inserte las dos pestañas en las cavidades ubicadas debajo de la abertura y ajuste el tornillo.



Instrucciones de instalación

Paso 7. Conexión de la estufa al suministro de gas

Cierre la válvula de suministro de gas principal antes de desconectar la estufa vieja y no vuelva a abrirla hasta que no se haya realizado la nueva conexión. No olvide volver a encender el piloto de los demás artefactos de gas cuando vuelva a abrir el suministro.

Debido a que las tuberías rígidas limitan el movimiento de la estufa, se recomienda el uso de un conector flexible de metal del artefacto certificado por CSA International a menos que los códigos locales exijan una conexión con tuberías rígidas.

ADVERTENCIA

Si no se sigue la información de este manual con exactitud, podrían producirse incendios o explosiones causantes de muerte, lesiones personales o daños a la propiedad.

- No debe almacenarse ni utilizarse gasolina u otros líquidos y vapores inflamables cerca de este u otros artefactos.
- QUÉ HACER SI HAY OLOR A GAS:
 - NO encienda cerillos, velas ni cigarrillos.
 - NO intente encender ningún artefacto.
 - NO toque ningún interruptor eléctrico.
 - NO utilice ningún teléfono dentro del edificio.
 - Haga salir a todos los ocupantes de la habitación, el edificio o el área.
 - Llame inmediatamente al proveedor de gas desde el teléfono de un vecino. Siga las instrucciones del proveedor de gas.
 - Si no puede comunicarse con el proveedor de gas, llame al departamento de bomberos.
- La instalación y el servicio técnico deben ser realizados por un instalador calificado, agencias de servicio técnico o el proveedor de gas.

Jamás utilice un conector viejo cuando instale una estufa nueva. Si se utiliza el método de tuberías rígidas debe alinearse cuidadosamente la tubería, y la estufa no podrá moverse luego de realizar la conexión.

Para evitar pérdidas de gas, aplique compuesto para unión de tuberías o envuelva las roscas macho (exteriores) de la tubería con cinta para roscas de tuberías con Teflón.

1. Instale una válvula manual de cierre del gas en la tubería de gas en un lugar al que pueda accederse fácilmente, externo a la estufa. Asegúrese de que todos los que utilicen la estufa sepan cómo cortar el suministro de gas de la estufa y cómo hacerlo.

2. Instale un adaptador de unión cónica macho de 0.5 pulgadas (1.3 cm) en la rosca interna NPT de 0.5 pulgadas (1.3 cm) de la entrada del regulador. Utilice una llave auxiliar en la conexión del regulador para evitar daños. Cuando instale la estufa desde el frente, retire el codo de 90° para facilitar la instalación.
3. Instale un adaptador de unión cónica macho de 0.5 pulgadas (1.3 cm) o de 0.75 pulgadas (1.9 cm) en la rosca interna NPT de la válvula de cierre manual y recuerde sujetar la válvula de cierre para evitar que gire.
4. Conecte el conector flexible de metal del artefacto al adaptador de la estufa. Ubique la estufa de manera que le permita realizar la conexión en la válvula de cierre.
5. Cuando se hayan realizado todas las conexiones, asegúrese de que todos los controles de la estufa estén en la posición de apagado y abra la válvula principal de suministro de gas. Utilice un detector de fugas líquido en todas las juntas y conexiones para verificar que no haya pérdidas en el sistema.

ADVERTENCIA

Para evitar el peligro de muerte, lesiones personales, explosiones o incendios, **NO** utilice una llama para verificar que no haya pérdidas de gas.

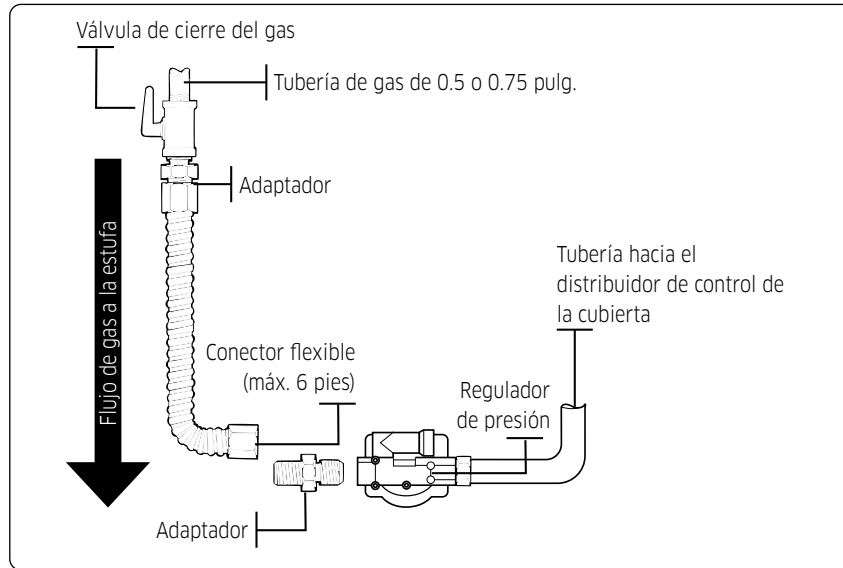
Cuando se utilicen presiones de prueba superiores a ½ PSIG (libras por pulgada cuadrada manométrica) para realizar la prueba de la presión del sistema de suministro de gas de la residencia, desconecte la estufa y la válvula de cierre individual de la tubería de suministro de gas. Cuando se utilicen presiones de prueba de ½ PSIG (libras por pulgada cuadrada manométrica) o inferiores para realizar la prueba del sistema de suministro de gas, simplemente cierre la válvula de cierre individual para aislar la estufa del sistema de suministro de gas.

⚠ ADVERTENCIA

No exceder los 25 ft-lb de par de torsión al realizar conexiones de gas. Ajustar en exceso puede agrietar el regulador de presión y producir una pérdida de gas.

Conexión con conectores flexibles

Instalador: informe la ubicación de la válvula de cierre de gas al consumidor.



📄 NOTA

- Si en su área se exige una conexión con tuberías rígidas, comuníquese con un instalador calificado, una agencia de servicio técnico o el proveedor de gas.
- La válvula de cierre del gas debe instalarse en un lugar accesible en la tubería de gas, externa al artefacto, con el fin de abrir o cerrar el suministro de gas del equipo.

Paso 8. Conversión a gas LP (opcional)

Todas las estufas de gas nuevas vienen de fábrica configuradas para utilizar gas natural.

Esta estufa de gas de Dacor se puede convertir para usar gas LP.

(Comuníquese con un técnico de servicio calificado).

Únicamente un instalador de gas LP calificado debe realizar el proceso de conversión. Las instrucciones de conversión y los orificios para LP se proveen con el kit de conversión a LP. La conversión a LP requiere el cambio de todos los orificios de los quemadores (6 quemadores superiores y 2 quemadores del horno).

Además, es necesario invertir la boquilla del regulador de presión del gas. El consumidor debe conservar todos los orificios reemplazados, incluyendo las instrucciones y la indicación de los orificios y de las medidas para la adaptación.

TAMAÑOS DE LOS ORIFICIOS DEL QUEMADOR Y POTENCIAS DE SALIDA (Gas LP [Propano] 10 en presión de col. de agua)		
Ubicación quemador	Potencia BTU	Tamaño orificio [mm]
DI	16500	Entrada 0.46 / Salida 0.78*2
TI	14500	Entrada 0.46 / Salida 0.74*2
DD	16500	Entrada 0.46 / Salida 0.78*2
TD	14500	Entrada 0.46 / Salida 0.74*2
DC	14500	1.12
TC	14500	1.12

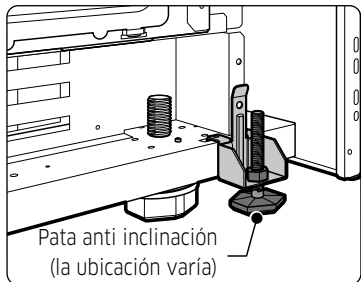
TAMAÑOS DE LOS ORIFICIOS DEL QUEMADOR Y POTENCIAS DE SALIDA (Gas natural 5 en presión de col. de agua)		
Ubicación quemador	Potencia BTU	Tamaño orificio [mm]
DI	22000	Entrada 0.85 / Salida 1.40*2
TI	16000	Entrada 0.70 / Salida 1.17*2
DD	22000	Entrada 0.85 / Salida 1.40*2
TD	16000	Entrada 0.70 / Salida 1.17*2
DC	16000	1.78
TC	16000	1.78

Instrucciones de instalación

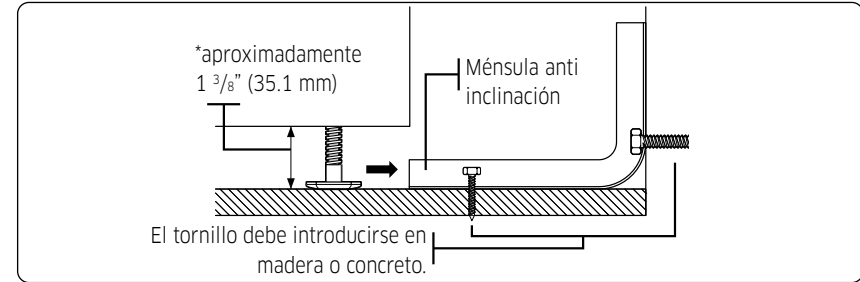
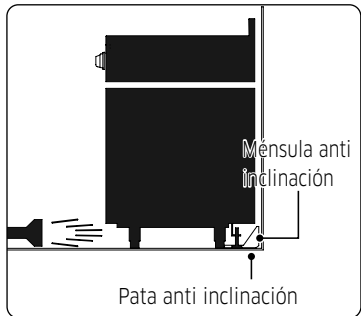
Paso 9. Instalación del dispositivo anti inclinación

⚠ ADVERTENCIA

- Para reducir el riesgo de inclinaciones, el artefacto debe quedar correctamente fijado mediante la instalación del dispositivo anti inclinación que viene con el equipo.
- Todas las estufas pueden inclinarse, lo que puede tener como resultado lesiones personales.
- Las estufas inclinadas pueden causar quemaduras por derrames, lesiones personales o la muerte.
- Para prevenir la inclinación accidental, instale y verifique la ménsula anti inclinación de acuerdo con las instrucciones y la plantilla provista con la ménsula.



Se provee una ménsula anti inclinación y tornillos, instrucciones de instalación y una plantilla con cada estufa (PN 114475). Las instrucciones incluyen la información necesaria para completar la instalación de la ménsula anti inclinación. Lea y siga las instrucciones de la página y utilice la plantilla para la instalación de la ménsula anti inclinación. Si no se instala correctamente, la estufa podría inclinarse si usted o un niño se parara, sentara o apoyara sobre la puerta del horno abierta.



📖 NOTA

Para instalar la ménsula anti inclinación, libere la pata niveladora con una llave Stillson ya que se aplica Loctite en los pernos para evitar aflojamiento por vibraciones. Se requiere una distancia mínima de 1 3/8 pulgadas (35.1 mm) entre la parte inferior de la estufa y el piso de la cocina.

Para verificar si se ha instalado y conectado la ménsula correctamente, retire el panel de protección y mire debajo de la estufa para ver si la pata niveladora se ha metido en la ménsula. Incline con cuidado la estufa hacia adelante. La ménsula debería detener la estufa en una inclinación máxima de 4 pulgadas (10.2 cm). Si no lo hace, debe volver a instalarse la ménsula.

Si se separa la estufa de la pared por algún motivo, repita siempre este procedimiento para verificar que la estufa quede fijada correctamente por la ménsula anti inclinación. No retire completamente las patas de nivelación o la estufa no quedará sujeta correctamente al dispositivo anti inclinación.

Paso 10. Enchufe y ubicación

⚠ ADVERTENCIA

- **ANTES DE REALIZAR CUALQUIER OPERACIÓN O PRUEBA, siga los requisitos de conexión a tierra en las páginas 16-17 de este manual. La conexión inadecuada del enchufe de conexión a tierra puede tener como resultado un riesgo de descarga eléctrica.** Revise "Requisitos eléctricos" en las páginas 16-17.
 - Modificar cualquier parte de este sistema puede provocar un cortocircuito o una sobrecarga.
1. Enchufe el cable de alimentación. Asegúrese de que los tomacorrientes cumplan con los códigos eléctricos locales o nacionales que se mencionan en las páginas 16-17.
 2. Deslice la estufa hasta su lugar.
 3. Revise la tubería de suministro de gas para asegurarse de que no esté dañada y permanezca conectada durante la colocación.
 4. Verifique que la pata trasera de la estufa haya entrado en la ménsula anti inclinación. Con cuidado, incline la estufa hacia adelante para verificar que la ménsula anti inclinación esté enganchada a la abrazadera trasera y que evite la inclinación.

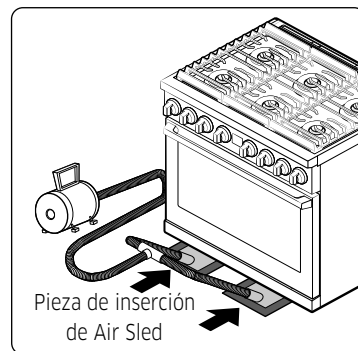
📖 NOTA

Si el cable de alimentación se enchufa incorrectamente, aparecerá el siguiente mensaje en la pantalla.

- LCD, PMOLED : Falla de instalación del cable
- LED : bAd LinE

Conecte nuevamente el cable en forma adecuada y el mensaje desaparece.

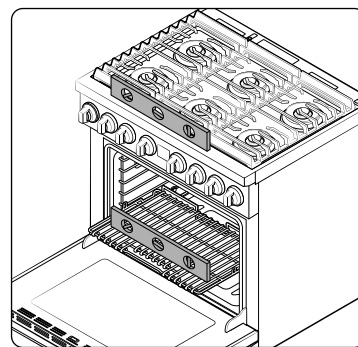
Paso 11. Traslado y colocación de la estufa



1. Debido al peso, se deben utilizar transportadores de equipos pesados como Air Sled para trasladar esta unidad. El peso debe apoyarse uniformemente en toda la parte inferior.
2. Luego de transportar la estufa al lugar deseado, puede nivelarla ajustando las patas con una llave mientras la estufa está apoyada en el Air Sled. Utilice una llave para girar y alargar o acortar las patas niveladoras delanteras para nivelar la estufa. La rotación hacia la izquierda acorta la pata y baja la estufa. La rotación hacia la derecha alarga la pata y eleva la estufa.

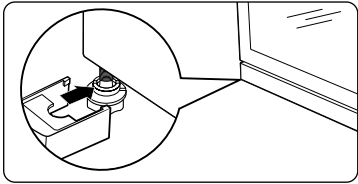
📖 NOTA

Ajuste las patas niveladoras solo en la medida en que ello resulte necesario para nivelar la estufa. Alargar las patas niveladoras más de lo necesario o retirarlas puede causar que la estufa sea inestable.



3. Si la estufa se encuentra justo a gabinetes o entre ellos, asegúrese de que la cubierta (sin las rejillas de los quemadores superiores) esté nivelada con la superficie de las mesadas.
4. Coloque un estante para horno en la posición central para estantes.
5. Utilice las dos posiciones que se muestran a la derecha para comprobar el nivel de la estufa con un nivel de carpintería.
6. Una vez que la estufa esté nivelada, muévala con el Air Sled y sepárela de la pared para instalar la ménsula anti inclinación.

Instrucciones de instalación



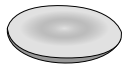

7. Después de instalar y nivelar la estufa, retire con cuidado el Air Sled e instale las cubiertas de las patas delanteras (derecha e izquierda).

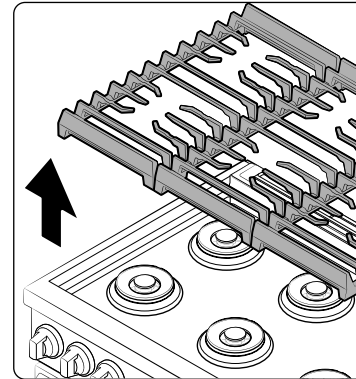
Paso 12. Montaje de los quemadores superiores

⚠ PRECAUCIÓN

No opere los quemadores superiores si no están todas las piezas en su lugar.

1. Coloque los cabezales de los quemadores superiores en la parte superior de los colectores, tal como se ilustra en la imagen de siguiente página. Los electrodos entrarán en la ranura que se encuentra en la parte inferior de los cabezales. Asegúrese de que los cabezales de los quemadores superiores queden horizontales y paralelos a la cubierta.
2. Coloque las tapas con el tamaño correspondiente en la parte superior de cada cabezal de los quemadores superiores.

Superior	Inferior
	



3. Coloque las rejillas de los quemadores superiores de la izquierda y la derecha sobre la cubierta. Los bordes de las rejillas deben coincidir con los bordes de la cubierta.

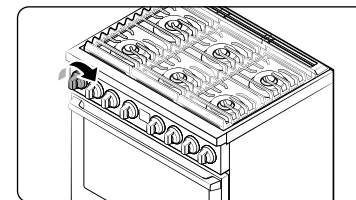
📖 NOTA

- Las rejillas deben colocarse en su posición correcta, ya que no son intercambiables.
- Para reconocer la posición correcta de las rejillas, verifique la parte inferior de cada una. Busque la posición grabada en la rejillas derecha e izquierda, "RIGHT REAR" (traseña derecha) y "LEFT REAR" (traseña izquierda).
- Las rejillas son pesadas. Tenga cuidado cuando las manipule.

Paso 13. Verificación del encendido de los quemadores superiores y los quemadores del horno

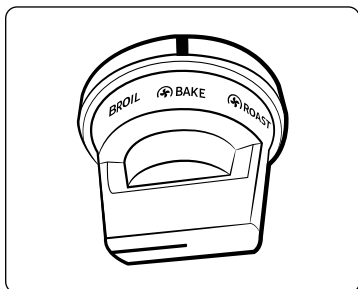
Verifique el funcionamiento de todos los quemadores superiores y del horno luego de haber instalado y montado la estufa, de haber comprobado que no haya pérdidas en las tuberías de suministro de gas y de haber enchufado el cable de alimentación eléctrica. Todos los quemadores superiores y del horno tienen encendido electrónico.

Para encender un quemador superior:



1. Empuje la perilla de control y gírela a la posición **LITE (Encender)** (🔥). Oirá un "clic" que indica que el sistema de ignición electrónico funciona correctamente.
2. Gire la perilla de control para ajustar el nivel de la llama.

Para encender los quemadores para hornear y asar a la parrilla:



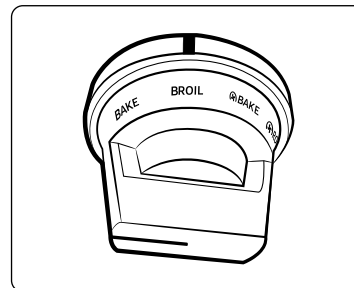
1. Gire la perilla selectora de modo desde **OFF (APAGADO)** hasta **Convection Bake (Horneado por convección)**, **Convection Roast (Asar por convección)**, **Pure Convection (Convección Pura)**.
2. Gire la perilla selectora de temperatura de la posición **OFF (APAGADO)** para cambiar la temperatura. Puede configurar el horno en cualquier temperatura desde **LO (BAJO)** hasta 550 °F.
 - El horno a gas se precalienta hasta que alcanza la temperatura que usted ha configurado.
 - Al finalizar el precalentamiento, coloque los alimentos en el horno a gas y, luego, cierre la puerta.
3. Cuando finalice la cocción, gire las perillas selectoras de modo y de temperatura a la posición **OFF (APAGADO)** y retire los alimentos.

NOTA

Para cambiar la temperatura durante la cocción, use la perilla selectora de temperatura.

Para encender los quemadores para asar a la parrilla:

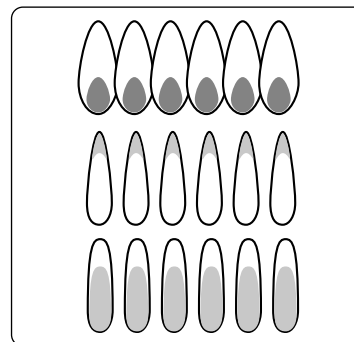
El asado a la parrilla usa solo un horno de gas superior para dorar los alimentos. La carne o el pescado deben colocarse siempre sobre una rejilla y una asadera.



1. Gire la perilla selectora de modo de **OFF (APAGADO)** a la posición **Broil (Asar a la parrilla)** y luego gire la perilla selectora de temperatura para configurar la temperatura de asado a la parrilla de **OFF (APAGADO)** a **HI (ALTO)** o **LO (BAJO)**.
2. Al completar la cocción de ambos lados, gire las perillas selectoras de modo y de temperatura hasta la posición **OFF (APAGADO)**.

Verificación de la calidad de la llama:

Es necesario verificar visualmente todas las llamas de combustión para determinar su calidad.



1. **Llamas predominantes de color azul claro:** normal con gas natural.
2. **Puntas amarillas en los conos exteriores:** Normal con gas LP.
3. **Llamas amarillas:** No son normales para ningún tipo de gas; solicite servicio técnico.

NOTA

Si la llama de un quemador es como la del ejemplo 3, no debe utilizarse la estufa hasta que reciba servicio técnico. Llame al Dacor para solicitar servicio técnico. Las llamas normales de los quemadores deben verse como los ejemplos 1 o 2, según el tipo de gas que se utilice.

Instrucciones de instalación

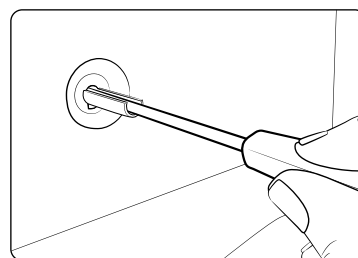
Paso 14. Lista de verificación final de la instalación

Acaba de finalizar la instalación de la estufa. Asegúrese de que todos los controles estén en la posición **OFF (APAGADO)** y que el flujo del aire de ventilación del horno no esté obstruido. La siguiente es una lista de verificación para confirmar que la instalación de la estufa sea segura y que esté lista para el funcionamiento.

- El conducto de gas se ha conectado correctamente a la estufa. Se ha abierto el gas. Se ha verificado que no haya fugas en ninguna de las conexiones.
- La estufa está conectada a un tomacorriente correctamente conectado a tierra.
- Se ha instalado y enganchado correctamente una ménsula anti inclinación a la estufa.
- La estufa está nivelada y firmemente asentada sobre un piso sólido y nivelado.
- Se ha comprobado que todos los quemadores funcionen correctamente.

Ajuste de la configuración de llama baja

Identifique qué quemador exhibe un tamaño de llama a fuego lento demasiado alto o demasiado bajo y ajústelo según sea necesario siguiendo los pasos a continuación:



1. Gire la perilla a la posición **LO (BAJO)** y quite la perilla del eje de la válvula mientras la llama está encendida.
2. Introduzca con cuidado el desarmador en el vástago de la válvula hasta que toque el tornillo de ajuste del fuego lento. Asegúrese de que la cabeza plana del desarmador entre en la ranura del tornillo de ajuste.
3. Gire el tornillo de ajuste de la válvula hacia la derecha para reducir la salida de la llama en la posición **LO (BAJO)** o hacia la izquierda para aumentarla.

⚠ ADVERTENCIA

1. No retire por completo el tornillo de ajuste de la válvula del vástago de la válvula. El tornillo de ajuste de la válvula es una pieza integral del montaje de la válvula de gas. Retirar el tornillo de ajuste de la válvula causará una pérdida de gas.
2. Luego de ajustar el tornillo de ajuste de la válvula, inspeccione el montaje para detectar pérdidas de gas.

Notas



DG68-01106G-00

Dacor • 14425 Clark Avenue, City of Industry, CA 91745 • Teléfono: 833-353-5483(EE. UU.), 844-509-4659(Canadá) • www.dacor.com

dacor

Manuel d'installation

Cuisinière mixte Pro

DOP36*86D**

AVERTISSEMENT : Si vous ne respectez pas scrupuleusement les informations contenues dans ce manuel, vous risquez de provoquer un incendie ou un choc électrique et, par conséquent, des dégâts matériels, blessures ou accidents mortels.

- **N'ENTREPOSEZ ET N'UTILISEZ PAS** d'essence ou d'autres vapeurs et liquides inflammables à proximité de cet appareil ou de tout autre.
- **DANS LE CAS OÙ VOUS SENTEZ UNE ODEUR DE GAZ :**
 - N'ESSAYEZ PAS d'allumer un appareil quel qu'il soit.
 - NE touchez AUCUN commutateur électrique.
 - N'utilisez PAS de téléphone dans votre immeuble.
 - Appelez immédiatement votre fournisseur de gaz à partir du téléphone d'un voisin. Suivez les instructions de votre fournisseur de gaz.
 - Si vous ne parvenez pas à joindre votre fournisseur de gaz, appelez les pompiers.
- L'installation et l'entretien doivent être effectués par un installateur qualifié, une agence de maintenance ou votre fournisseur de gaz.

DISPOSITIF ANTI-BASCULEMENT



⚠ AVERTISSEMENT

TOUTES LES CUISINIÈRES SONT SUSCEPTIBLES DE BASCULER ET DE PROVOQUER DES BLESSURES.

LE BASCULEMENT D'UNE CUISINIÈRE PEUT PROVOQUER DES BRÛLURES DUES AUX PROJECTIONS, DES BLESSURES ET/OU DES ACCIDENTS MORTELS.

INSTALLEZ ET VÉRIFIEZ LE DISPOSITIF ANTI-BASCULEMENT EN SUIVANT LES INSTRUCTIONS ET LE GABARIT D'INSTALLATION FOURNI AVEC LE DISPOSITIF.

- Afin d'éviter le basculement de la cuisinière, fixez-la correctement au sol à l'aide d'un support anti-basculement adapté. (L'installation du dispositif anti-basculement figure dans les consignes d'installation.) Vérifiez l'installation correcte en basculant la cuisinière vers l'avant avec précaution. Veillez à ce que le dispositif anti-basculement soit en place afin d'empêcher la cuisinière de basculer.
- Si la cuisinière est, pour une quelconque raison, retirée du mur, assurez-vous que le dispositif anti-basculement est convenablement remonté une fois que la cuisinière est remise en place.
- Respectez les consignes d'installations décrites dans le manuel d'installation. Le non-respect de ces consignes peut entraîner des accidents mortels, blessures et/ou dégâts matériels.
- **NE marchez pas, ne vous asseyez pas, ne vous appuyez pas** sur la porte ou le tiroir pour éviter le basculement accidentel de la cuisinière.

Table des matières

Avant de commencer	4
A propos de ce manuel	4
Informations importantes relatives à la sécurité	4
Lisez toutes les consignes de sécurité avant d'utiliser cet appareil	4
Symboles utilisés dans ce manuel	4
California Proposition 65 Avertissement	5
Commonwealth du Massachusetts	5
Sécurité générale	5
Sécurité incendie	6
Sécurité liée au gaz	6
Sécurité électrique et mise à la terre	7
Sécurité liée à l'installation	7
Sécurité de l'emplacement	8
Sécurité liée à la table de cuisson	8
Sécurité liée au four	9
Sécurité liée à l'auto-nettoyage du four	10
Composants de la cuisinière à gaz	10
Caractéristiques techniques de la cuisinière mixte	10
Conditions d'installation	12
Conditions d'emplacement	12
Manuel d'installation	13
Pour retirer l'appareil de la palette en toute sécurité	14
Pour éviter toute rupture	14
Exigences en matière de gaz	15
Exigences spéciales en matière d'alimentation en gaz (modèles au gaz vendus dans le Massachusetts)	16
Exigences en matière de raccordement électrique	16

Outils et matériel	18
Éléments de la boîte	18
Consignes d'installation	19
Installation de votre cuisinière mixte	19

Avant de commencer

A propos de ce manuel

Lisez entièrement et attentivement ces instructions.

Remarque importante destinée à l'installateur

- Lisez l'intégralité des consignes d'installation avant d'installer la cuisinière.
- Retirez tous les éléments d'emballage des compartiments du four avant de raccorder la cuisinière à l'alimentation électrique et à l'arrivée de gaz.
- Respectez tous les codes et règlements en vigueur.
- Assurez-vous de laisser ces instructions à l'utilisateur.
- L'installation de cet appareil nécessite des connaissances mécaniques de base.
- Il incombe à l'installateur de poser correctement l'appareil.
- Tout dysfonctionnement imputable à une mauvaise installation n'est pas couvert par la garantie.

Remarque importante destinée à l'utilisateur

Conservez ces instructions avec votre manuel d'utilisation pour une référence ultérieure.

- Comme pour tout appareil générant de la chaleur, certaines consignes de sécurité sont à respecter.
- Assurez-vous que votre appareil est correctement installé et mis à la terre par un installateur qualifié ou un technicien spécialisé.
- Assurez-vous que les revêtements muraux situés à proximité de l'appareil peuvent résister à la chaleur générée par celui-ci.
- La distance de l'armoire de stockage située au-dessus des brûleurs de surface doit être au minimum de 30 po (76,2 cm).

Remarque importante destinée au prestataire

Le schéma électrique se trouve dans une enveloppe jointe à l'arrière de la cuisinière.

Informations importantes relatives à la sécurité

Lisez toutes les consignes de sécurité avant d'utiliser cet appareil

- Tous les appareils électriques et à gaz comportant des pièces mobiles présentent un danger. Veuillez lire les consignes de sécurité importantes pour cet appareil dans ce manuel. Ces instructions doivent être respectées afin de minimiser les risques de blessures graves, voire mortelles ou de dégâts matériels.
- Conservez ce manuel. Veuillez ne pas le jeter.

Symboles utilisés dans ce manuel

AVERTISSEMENT

Risques ou manipulations dangereuses susceptibles d'entraîner des blessures graves, voire mortelles.

ATTENTION

Risques ou manipulations dangereuses susceptibles d'entraîner un choc électrique, des blessures physiques ou des dégâts matériels.

REMARQUE

Conseils et consignes utiles

Les icônes et symboles d'avertissement sont là pour minimiser les risques de blessure ; veuillez à bien les respecter. Après lecture de cette rubrique, conservez le manuel dans un endroit sûr afin de pouvoir le consulter ultérieurement.

California Proposition 65 Avertissement

AVERTISSEMENT

Cancer et Troubles de l'appareil reproducteur - www.P65Warnings.ca.gov

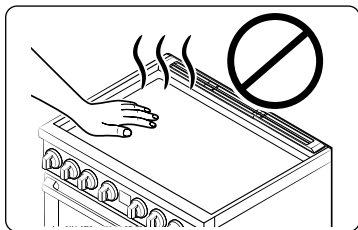
Commonwealth du Massachusetts

Cet appareil doit être installé par un plombier certifié ou un monteur d'installations au gaz qualifié ou certifié par l'État du Massachusetts. Lorsque des vannes à bille sont utilisées pour la fermeture du gaz, elles doivent être munies d'une poignée en T. Il ne faut pas connecter plusieurs canalisations de gaz flexibles en série.

Sécurité générale

AVERTISSEMENT

Pour réduire le risque d'incendie, de choc électrique, de blessures et/ou de mort, respectez les précautions suivantes.



- **Ne touchez** à aucune partie de la cuisinière, y compris mais sans se limiter aux brûleurs du four, aux brûleurs de surface ou aux surfaces internes pendant ou immédiatement après la cuisson.
- **Repérez** la vanne de coupure de gaz et la façon de la fermer.
- **Assurez-vous** que le **dispositif anti-basculement** est correctement installé sur la cuisinière. Reportez-vous aux consignes d'installation pour plus d'informations.
- **Ne laissez pas les enfants jouer près de**, dans, ou sur la cuisinière. Ne laissez pas les enfants jouer avec la cuisinière ni aucune de ses parties. Ne laissez jamais les enfants sans surveillance dans la pièce où est installée la cuisinière. Pour la sécurité des enfants nous recommandons l'utilisation du dispositif de verrouillage des commandes/de la porte.

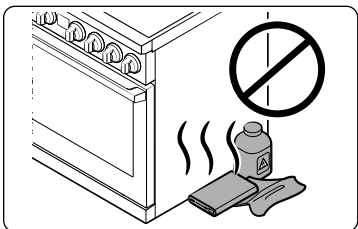
- **Retirez** tout élément d'emballage de votre cuisinière avant de l'utiliser afin d'éviter qu'ils ne prennent feu. Gardez tous les éléments d'emballage hors de la portée des enfants. Jetez correctement les matériaux d'emballage une fois la cuisinière déballée.
- **N'entreposez pas** d'objets susceptibles d'éveiller l'intérêt des enfants sur la table de cuisson ou sur le dossier de la cuisinière. Les enfants risquent, en grim pant sur la cuisinière, de se blesser gravement, voire mortellement.
- **Ne faites pas fonctionner** la cuisinière si celle-ci ou une partie est endommagée, en cas de dysfonctionnement ou si des pièces manquent.
- **N'utilisez pas** la cuisinière comme chauffage. Cette cuisinière ne doit être utilisée que pour la cuisson.
- **N'utilisez pas** de nettoyants pour four ou de revêtements de protection dans ou autour d'aucune partie du four.
- **Utilisez** uniquement des maniques sèches.
- **N'utilisez pas** la cuisinière pour chauffer des aliments contenus dans des récipients fermés.
- **Évitez tout choc** sur le verre du four.
- Lors de la mise au rebut de la cuisinière, **coupez** le cordon d'alimentation et **retirez** la porte.
- **Débranchez** ou **coupez l'alimentation** avant de procéder à la réparation.
- **Assurez-vous** que la viande et la volaille sont totalement cuites. La viande doit toujours être cuite à une température de 160 °F (71 °C). La volaille devrait toujours être cuite à une température interne de 180 °F (82 °C).

Informations importantes relatives à la sécurité

Sécurité incendie

⚠ AVERTISSEMENT

Pour réduire le risque d'incendie, de choc électrique, de blessures et/ou de mort, respectez les précautions suivantes.



- **N'entreposez, ne placez ni n'utilisez jamais** des matériaux inflammables ou combustibles tels que du charbon, du papier, du plastique, des maniques, des tissus, des rideaux, de l'essence ou d'autres vapeurs ou liquides inflammables à proximité de la cuisinière.
- **Ne portez jamais** de vêtements amples et des accessoires pendants lorsque vous utilisez cette cuisinière.

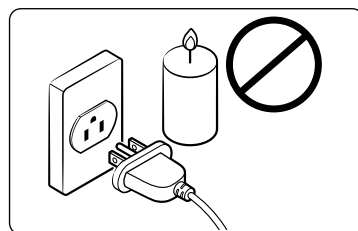
- Pour éviter l'accumulation de la graisse, **nettoyez régulièrement** les orifices de ventilation.
- **Ne laissez pas** de maniques ou autres matériaux inflammables toucher un élément chauffant. N'utilisez pas de serviette ou tout autre torchon volumineux comme manique.
- **N'utilisez pas** d'eau pour éteindre les flammes de friture. Pour éteindre les flammes de friture, éteignez la source de chaleur et étouffez les flammes à l'aide d'un couvercle hermétique ou en utilisant un extincteur multifonction à poudre ou à mousse.
- Si un incendie lié à la graisse se déclare à l'intérieur du four, **éteignez le four** en tournant le bouton du sélecteur de mode sur la position **OFF (ARRÊT)**. Maintenez la porte du four fermée jusqu'à extinction de l'incendie. Si nécessaire, **utilisez** un extincteur multifonction à poudre ou à mousse.
- **Ne faites pas chauffer** des aliments contenus dans des récipients fermés. L'accumulation de pression pourrait faire exploser les contenants et provoquer des blessures.

Sécurité liée au gaz

⚠ AVERTISSEMENT

Pour réduire le risque d'incendie, de choc électrique, de blessures et/ou de mort, respectez les précautions suivantes.

Si vous sentez une odeur de gaz :



- **Fermez la vanne** et n'utilisez pas la cuisinière.
- **N'allumez pas** d'allumette, de bougie ou de cigarette.
- **N'allumez aucun** appareil au gaz ou électrique.
- **Ne touchez** aucun commutateur électrique et ne branchez pas de cordon d'alimentation sur une prise.

- **N'utilisez pas** de téléphone dans votre immeuble.
- **Évacuez** la pièce, l'immeuble ou le quartier de tous les occupants.
- **Appelez immédiatement** votre fournisseur de gaz avec le téléphone d'un voisin. Suivez les instructions de votre fournisseur de gaz.
- Si vous ne parvenez pas à joindre votre fournisseur de gaz, appelez les pompiers.

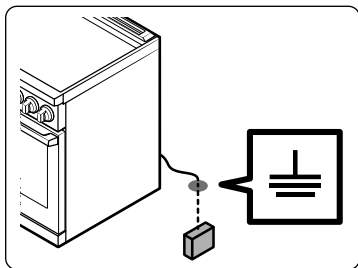
Vérification des fuites de gaz

- Un test de fuite de l'appareil doit être effectué selon les instructions du fabricant. **N'utilisez pas** de flamme pour vérifier s'il y a des fuites de gaz. Utilisez plutôt un pinceau pour étaler de l'eau savonneuse autour de l'endroit à vérifier. En cas de fuite de gaz, vous verrez au niveau de la fuite de petites bulles dans l'eau savonneuse.

Sécurité électrique et mise à la terre

⚠ AVERTISSEMENT

Pour réduire le risque d'incendie, de choc électrique, de blessures et/ou de mort, respectez les précautions suivantes.

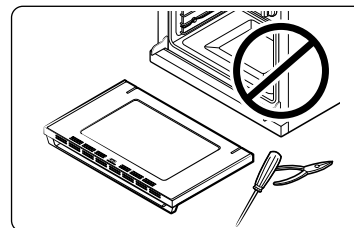


- Branchez l'appareil sur une prise murale tripolaire reliée à la terre.
 - **Ne retirez pas** la broche de mise à la terre.
 - **N'utilisez pas** d'adaptateur ou de rallonge.
 - **N'utilisez jamais** une fiche ou un cordon d'alimentation endommagé(e) ou une prise d'alimentation mal fixée.
 - **Ne modifiez pas** d'aucune manière la fiche ou le cordon d'alimentation ou la prise murale.
- **Ne mettez pas** de fusible dans un circuit neutre ou de terre.
 - Utilisez un circuit électrique dédié de 240 V, 60 Hz, 40 A (CA) avec fusible pour cette cuisinière. Il est recommandé d'utiliser un fusible à retardement ou un disjoncteur. Ne branchez pas plusieurs appareils sur ce circuit.
 - **Ne branchez pas** le câble de mise à la terre sur des canalisations en plastique ou des conduites de gaz ou d'eau chaude.
 - Cette cuisinière **doit être correctement reliée à la terre**. La mise à la terre réduit le risque d'électrocution, car elle fournit au courant un chemin de sortie en cas de dysfonctionnement ou de panne. Cette cuisinière est équipée d'un cordon disposant d'une prise de mise à la terre. La fiche doit être branchée sur une prise secteur posée et mise à la terre conformément à la législation en vigueur. Si vous n'êtes pas sûr que la prise soit correctement mise à la terre, consultez un électricien qualifié afin qu'il vérifie.
 - L'installation électrique de la cuisinière doit être conforme aux codes locaux. En dehors des codes locaux, l'installation électrique doit être conforme à la dernière norme ANSI/NFPA N° 70 - dernière édition (pour les États-Unis) ou au code électrique canadien CSA C22.1 - dernière édition.
 - Il relève de la responsabilité du propriétaire de la cuisinière de fournir une installation électrique conforme.

Sécurité liée à l'installation

⚠ AVERTISSEMENT

Pour réduire le risque d'incendie, de choc électrique, de blessures et/ou de mort, respectez les précautions suivantes.



- Assurez-vous que votre cuisinière est correctement installée et mise à la terre par un **installateur qualifié**, conformément aux instructions d'installation. L'installation et l'entretien doivent être effectués par des monteurs d'installations au gaz ou des techniciens de maintenance qualifiés.
- **Ne tentez pas** de réparer, de modifier ni ne remplacer les pièces de la cuisinière vous-même, sauf si le présent manuel vous y autorise. Toute autre réparation devra être effectuée par un technicien qualifié.
 - Utilisez toujours des connecteurs de flexibles neufs lorsque vous installez un appareil à gaz. **N'utilisez pas** d'anciens connecteurs de flexibles.
 - **Assurez-vous** que le dispositif anti-basculement est correctement installé sur la cuisinière. Reportez-vous aux consignes d'installation pour plus d'informations.
 - Compte tenu de la taille et du poids de la cuisinière, **deux personnes ou plus** sont nécessaires pour la déplacer.
 - **Retirez** toutes les bandes et les matériaux d'emballage.
 - **Retirez** tous les accessoires de la table de cuisson et du four. Les grilles sont lourdes. Soyez prudent lorsque vous les manipulez.
 - **Assurez-vous** qu'aucune pièce ne se soit desserrée durant l'expédition.

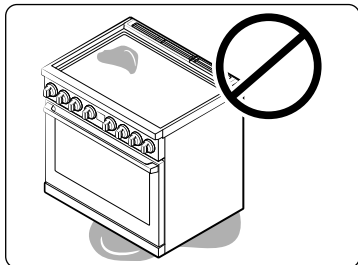
Informations importantes relatives à la sécurité

- **Assurez-vous que** votre cuisinière est correctement installée et réglée pour le type de gaz que vous allez utiliser (naturel ou GPL) par un installateur qualifié ou un technicien qualifié. Pour utiliser votre cuisinière avec du GPL, l'installateur doit remplacer les 6 orifices du brûleur de surface par l'ensemble d'orifices GPL fourni. Et inverser l'adaptateur du potentiel de mise à la terre (GPR). Ces réglages doivent être effectués par un technicien de maintenance qualifié conformément aux consignes du fabricant ainsi qu'à tous les codes et exigences requis par l'autorité compétente. L'agence qualifiée effectuant ces travaux assume la responsabilité de la conversion de gaz.
- L'installation de cette cuisinière doit être conforme aux codes locaux ou, en absence de codes locaux, au Code national de gaz combustible, ANSI Z223.1/NFPA.54, dernière édition. Au Canada, l'installation doit être conforme au Code d'installation du gaz naturel, CAN/CGA-B149.1, en vigueur, ou au Code d'installation du propane, CAN/CGA-B149.2, en vigueur, ainsi qu'aux codes locaux qui s'appliquent. Cette cuisinière a été certifiée par ETL selon ANSI Z21.1, dernière édition, et par la L'Association canadienne du gaz selon CAN/CGA-1.1, dernière édition.

Sécurité de l'emplacement

⚠ AVERTISSEMENT

Pour réduire le risque d'incendie, de choc électrique, de blessures et/ou de mort, respectez les précautions suivantes.



- Cette cuisinière est destinée à une utilisation domestique uniquement à l'intérieur. **N'installez pas** la cuisinière dans des zones exposées aux intempéries et/ou à l'eau.
- **N'installez pas** la cuisinière à un endroit où elle sera exposée à de forts courants d'air.

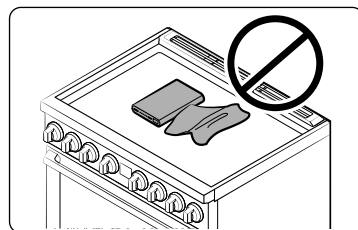
- Sélectionnez un sol de niveau, bien construit et capable de supporter le poids de la cuisinière. Des revêtements synthétiques, tels que du linoléum, doivent supporter des températures de 180 °F (82 °C) sans rétrécir, se voiler ou se décolorer. **N'installez pas** la cuisinière directement sur une moquette de cuisine, sauf si vous placez une couche de contreplaqué de ¼ de pouce ou un isolant similaire entre la cuisinière et la moquette.

- Sélectionnez un emplacement où une prise murale à 3 broches reliée à la terre est facilement accessible.
- Si la cuisinière est placée à proximité d'une fenêtre, **n'accrochez pas** de longs rideaux ou de stores en papier sur cette fenêtre.
- Pour que la cuisinière soit correctement ventilée, assurez-vous que ses orifices de ventilation ne sont pas obturés ou recouverts et qu'il y a suffisamment d'espace au-dessus, à l'arrière, sur les côtés et sous la cuisinière. Les orifices de ventilation permettent l'échappement nécessaire au bon fonctionnement de l'appareil, à une combustion correcte et à l'obtention des résultats de cuisson escomptés.
- **Assurez-vous que** les revêtements muraux situés à proximité de l'appareil peuvent résister à la chaleur générée par celui-ci, pouvant aller jusqu'à 194 °F (90 °C).
- Un placard de rangement est à éviter au-dessus de la surface de la cuisinière. Si un placard de rangement est nécessaire au-dessus de la cuisinière : respectez un dégagement minimum de 30 pouces (76,2 cm) entre la surface de cuisson et le bas des placards. Pour obtenir des informations détaillées, veuillez vous reporter à la section Dimensions minimales en page 13.

Sécurité liée à la table de cuisson

⚠ AVERTISSEMENT

Pour réduire le risque d'incendie, de choc électrique, de blessures et/ou de mort, respectez les précautions suivantes.



- **Assurez-vous que** tous les brûleurs sont éteints lorsqu'ils ne sont pas utilisés.
- **N'utilisez pas** de feuille d'aluminium pour revêtir les grilles ou toute autre partie de la table de cuisson.
- **Ne laissez pas** les brûleurs sans surveillance lors de réglages moyen ou élevé.
- Préalablement à l'allumage, **assurez-vous** que tous les chapeaux de brûleurs sont correctement en place et que tous les brûleurs sont de niveau.
- Utilisez toujours la position **Lite (Allumage)** (🔥) pour allumer les brûleurs et assurez-vous qu'ils sont allumés. Si l'allumage échoue, tournez le bouton sur **OFF (ARRÊT)** et attendez que le gaz se dissipe.

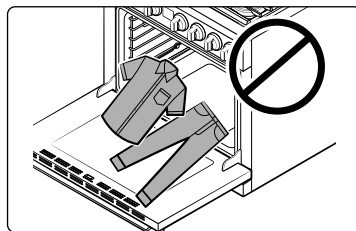
- Lorsque vous réglez un brûleur sur mijotage, **ne tournez pas** le bouton rapidement. Assurez-vous que la flamme reste allumée.
- **Ne placez** aucun objet autre qu'un ustensile de cuisine sur la table de cuisson.
- Cette surface de cuisson est conçue pour cuisiner avec un wok ou un anneau wok. Si vous faites flamber des aliments, faites-le sous une hotte de ventilation allumée.
- Avant de retirer ou de changer d'ustensile de cuisson, éteignez les brûleurs.
- Retirez les aliments et les ustensiles de cuisson immédiatement après la cuisson.
- Avant de retirer des parties du brûleur pour le nettoyage, assurez-vous que la cuisinière est éteinte et complètement froide.
- Après nettoyage du diffuseur du brûleur, **assurez-vous** qu'il est complètement sec avant de le réassembler.
- **Assurez-vous que** le repère de l'étincelle sur le diffuseur de brûleur double est placé à côté de l'électrode lorsqu'il est assemblé.
- Pour éviter l'empoisonnement par monoxyde de carbone, **ne versez pas** d'eau sur la table de cuisson lors du nettoyage.
- Sélectionnez des ustensiles qui sont conçus pour la cuisson en surface de la cuisinière. Utilisez des ustensiles suffisamment grands pour couvrir la grille du brûleur. Ajustez les flammes du brûleur de sorte qu'elles ne s'étendent pas au-delà du fond de l'ustensile.
- Pour éviter la décoloration des ustensiles, leur déformation et/ou l'empoisonnement par monoxyde de carbone, **n'utilisez pas** d'ustensiles beaucoup plus grands que la grille.
- **Assurez-vous** que les manches d'ustensiles sont dirigées vers les côtés ou l'arrière de la table de cuisson, et non au-dessus des brûleurs de surface.
- Tenez-vous éloigné de la cuisinière lorsque vous faites de la friture.
- Chauffez toujours lentement les huiles de friture et observez-les lorsqu'elles chauffent. Si vous faites frire des aliments à température élevée, observez attentivement le processus de cuisson. Si vous devez utiliser un mélange de graisses ou d'huiles pour frire, mélangez-les avant de les chauffer.
- Utilisez un thermomètre à friture si possible. Cela évite que l'huile ou la graisse soit chauffée au-delà du point de fumée.
- Employez une quantité minimale d'huile dans une poêle peu profonde ou une friteuse. Évitez de faire cuire les aliments décongelés ou avec des quantités excessives de glace.
- Avant de déplacer les ustensiles pleins de graisse ou d'huile, assurez-vous qu'ils sont complètement refroidis.

- Pour éviter une ébullition à retardement des liquides, laissez-les toujours reposer au moins une vingtaine de secondes une fois le brûleur éteint, ceci afin de permettre à la température de se stabiliser. En cas d'accident, effectuez les gestes de premiers secours suivants :
 1. Immergez la zone brûlée dans de l'eau froide ou tiède pendant au moins 10 minutes.
 2. N'appliquez aucune crème, huile ou lotion ;
 3. Recouvrez-la d'un tissu propre et sec.

Sécurité liée au four

AVERTISSEMENT

Pour réduire le risque d'incendie, de choc électrique, de blessures et/ou de mort, respectez les précautions suivantes.



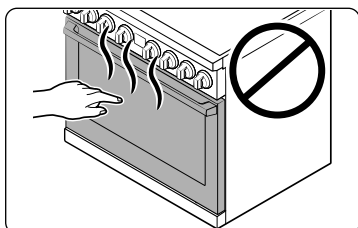
- **N'utilisez pas** le four pour un usage autre que la cuisson tel que le séchage de vêtement ou le stockage. Utilisez le four uniquement pour la cuisson.
- **Assurez-vous** que la partie intérieure de la grille en deux parties du four est correctement positionnée sur la grille extérieure.
- **Assurez-vous** que les grilles du four sont placées au même niveau de chaque côté.
- **N'endommagez, ne déplacez et ne nettoyez jamais** le joint de la porte.
- **Ne vaporisez pas** d'eau sur le verre du four lorsque le four est allumé ou juste après l'avoir éteint.
- **N'utilisez pas** de papier aluminium ou de barquettes en aluminium dans le four. N'utilisez pas de feuille d'aluminium ou de matériau semblable pour couvrir des orifices ou des passages au bas du four ou pour couvrir une grille du four.
- Éloignez-vous du four lorsque vous en ouvrez la porte.
- Évitez l'accumulation de graisses dans le four.
- Pour repositionner les grilles du four, **assurez-vous** que le four est complètement refroidi.
- Pour éviter d'endommager les boutons de commande des brûleurs, cuisinez et/ou grillez toujours avec la porte du four fermée.
- **Évitez de griller** de la viande trop près de la flamme du brûleur. Retirez l'excès de gras sur la viande avant de la faire cuire.
- Suivez toujours les recommandations du fabricant lorsque vous utilisez des sacs de cuisson ou à rôtir dans le four.

Informations importantes relatives à la sécurité

Sécurité liée à l'auto-nettoyage du four

⚠ AVERTISSEMENT

Pour réduire le risque d'incendie, de choc électrique, de blessures et/ou de mort, respectez les précautions suivantes.



- La fonctionnalité d'auto-nettoyage porte le four à des températures suffisamment élevées pour brûler les résidus alimentaires dans le four. La cuisinière est extrêmement chaude pendant un cycle d'auto-nettoyage. **Ne touchez pas** les surfaces de la cuisinière pendant un cycle d'auto-nettoyage.

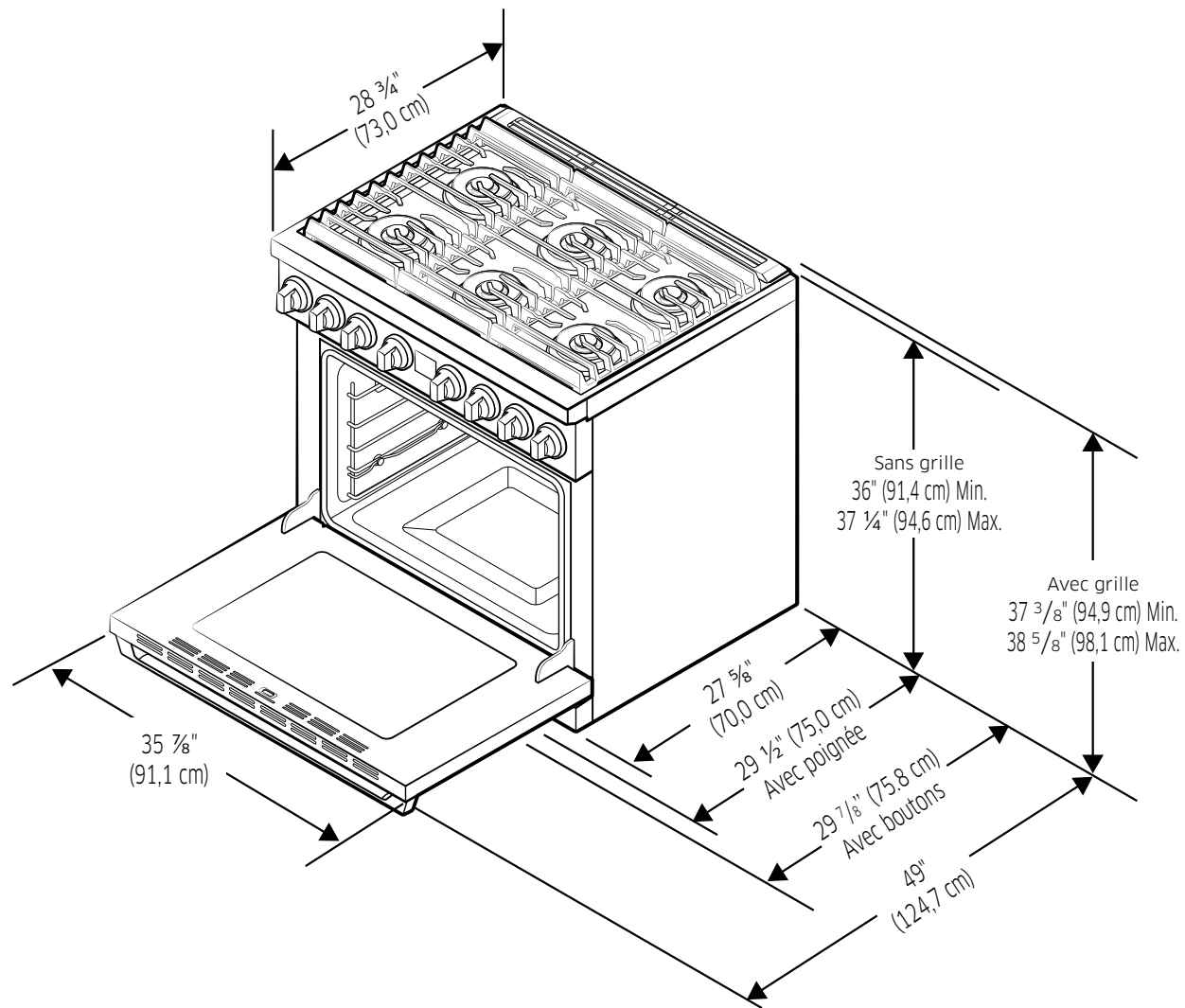
- Tenez les enfants éloignés du four pendant un cycle d'auto-nettoyage.
- Avant de démarrer un cycle d'auto-nettoyage, **retirez** toutes les grilles et ustensiles du four. Seules les grilles recouvertes de porcelaine peuvent rester dans le four pendant le cycle d'auto-nettoyage.
- Avant de démarrer un cycle d'auto-nettoyage, essuyez la graisse et les résidus alimentaires dans le four.
- Lors de l'ouverture de la porte après un cycle d'auto-nettoyage, tenez-vous éloigné du four.
- En cas de dysfonctionnement du cycle d'auto-nettoyage, éteignez le four, débranchez l'alimentation et contactez un technicien de maintenance qualifié.

Composants de la cuisinière à gaz

Caractéristiques techniques de la cuisinière mixte

MODÈLE DOP36*86D**

Description	Cuisinière mixte
Dimensions globales	35 7/8 po (L) × 37 1/4 po (H) × 29 1/2 po (P) 911 mm (L) × 946 mm (H) × 750 mm (P)
Électricité	Reportez-vous à l'étiquette signalétique.
Gaz, GN (gaz naturel)	5-13 po WC
Gaz, PL (propane liquide)	10-13 po WC
Brûleurs de surface (GN)	(AvG) : 22000 BTU / (ArG) : 16000 BTU / (AvD) : 22000 BTU / (ArD) : 16000 BTU (AvC) : 16000 BTU / (ArC) : 16000 BTU
Brûleurs de surface (PL)	(AvG) : 16500 BTU / (ArG) : 14500 BTU / (AvD) : 16500 BTU / (ArD) : 14500 BTU (AvC) : 14500 BTU / (ArC) : 14500 BTU
Résistance du four	Cuisson : 3000 W Gril : 4400 W



Composants de la cuisinière à gaz

Conditions d'installation

Conditions d'emplacement

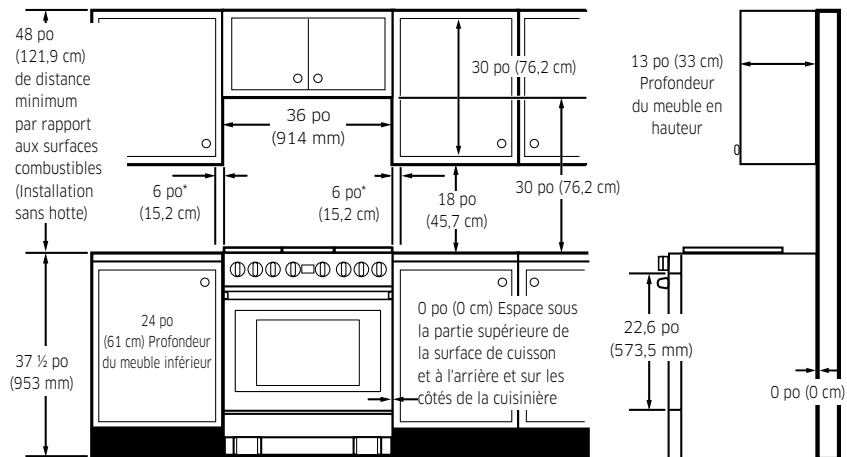
Dégagements et dimensions

REMARQUE

- Pour la hotte sur la cuisinière à gaz, veuillez suivre les règlements locaux en matière de gaz.
- **AVANT DE COMMENCER** l'installation de cet appareil, reportez-vous aux informations suivantes, aux dimensions et aux dégagements. **Ne placez pas la cuisinière à un endroit où elle serait exposée à de forts courants d'air.** Maintenez une distance adéquate entre la cuisinière et les surfaces combustibles attenantes. Ces dimensions doivent être respectées afin d'assurer une utilisation de la cuisinière en toute sécurité. L'emplacement de la prise et des tuyaux du gaz peut être réglé afin de respecter les dimensions et dégagements suivants.
- Concernant les installations au Canada, une cuisinière non encastrable ne peut pas être installée à moins de 12 cm (4,7 po) de toute surface adjacente.
- Les installations ne disposant pas de hotte doivent respecter une distance de 48" minimum par rapport aux surfaces combustibles. Une installation de hotte sur-mesure comportant des surfaces combustibles horizontales exposées doit être dotée d'une fonction Auto-On (Activation automatique). Reportez-vous aux consignes d'installation de la hotte pour connaître les distances spécifiques à respecter pour la hotte.

ATTENTION

Cette cuisinière a été conçue pour supporter une température maximale de 194 °F (90 °C), température maximale autorisée pour toute structure en bois. Assurez-vous que le revêtement mural, les plans de travail et les meubles voisins peuvent résister à la chaleur (jusqu'à 194 °F [90 °C]) générée par la cuisinière. Dans le cas contraire, des éléments peuvent se décolorer, se décoller ou fondre.



* Dégagement latéral au-dessus de la surface de cuisson et par rapport à n'importe quel objet, p. ex. un mur.

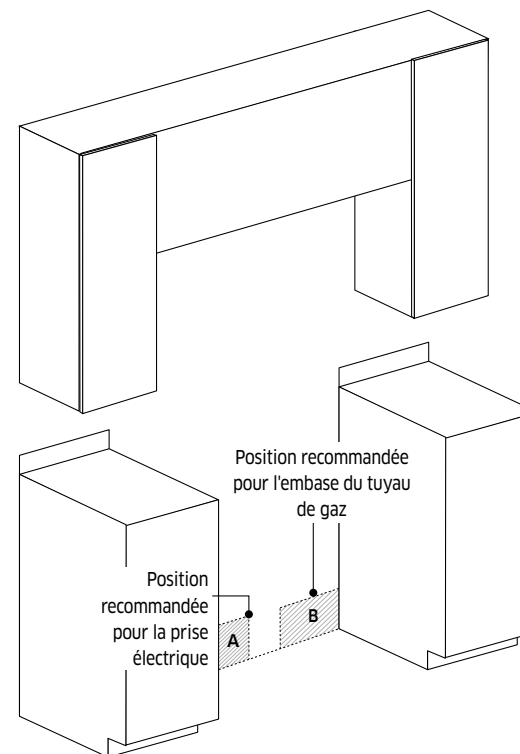
Dimensions minimales

⚠ ATTENTION

- Si des meubles sont installés en hauteur, une hotte d'aspiration assurant une protection horizontale d'au moins 5" (12,7 cm) au-delà de l'avant des meubles doit être installée. La hotte est nécessaire pour dissiper toute accumulation de chaleur dans les meubles installés en hauteur afin d'éviter tout risque d'incendie, de blessure ou de mort. La hotte de ventilation doit être composée de tôle d'une épaisseur minimale de 0,0122" et installée au-dessus de la table de cuisson en laissant un espace minimal de ¼" entre la hotte et la face inférieure du meuble métallique ou du matériau combustible. La hotte doit être au moins aussi large que l'appareil et centrée au-dessus de celui-ci. L'espace entre la surface de cuisson et la hotte d'aspiration ne doit jamais être inférieur à 24".
- Exception 1 :** L'installation au-dessus de la table de cuisson d'un four à micro-ondes ou d'un autre appareil de cuisson répertorié doit être conforme aux instructions du manuel d'utilisation fourni avec cet appareil.
 - Espace minimal de 30" (76,2 cm) entre le haut de la surface de cuisson et le bas d'un meuble en bois ou en métal non protégé ; ou, si l'espace est inférieur à 30" (76,2 cm), un espace minimal de 24" (61 cm) peut être utilisé lorsque que le bas du meuble en bois ou en métal est protégé par un carton pâte ignifugeant d'au moins ¼" (0,64 cm), recouvert par une feuille d'acier correspondant au moins à la norme n° 28 MSG, d'acier inoxydable de 0,015" (0,038 cm), d'aluminium de 0,024" (0,061 cm) ou de cuivre de 0,020" (0,051 cm).
 - Espace minimal de 18" (45,7 cm) entre le plan de travail et le dessous du meuble adjacent.
- Exception 2 :** Pour une installation isolée, maintenez 2 ½" minimum entre la découpe et l'arête arrière du plan de travail et 4" minimum entre la découpe et les arêtes latérales du plan de travail.

Manuel d'installation

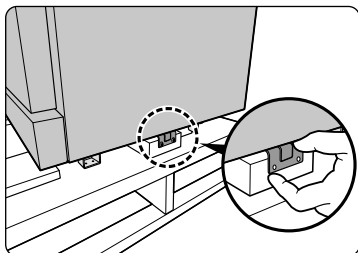
Emplacements recommandés pour les tuyaux du gaz et les prises électriques



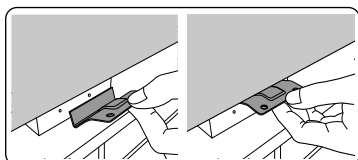
Modèle	DOP36*86D**
A	Prise électrique 9 7/8" (L) x 6 7/8" (H) (25,1 cm x 17,5 cm)
B	Tuyaux du gaz 17 15/16" (W) X 5 3/8" (H) (45,5 cm x 13,8 cm)

Conditions d'installation

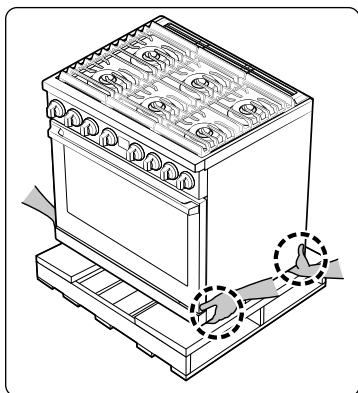
Pour retirer l'appareil de la palette en toute sécurité



1. Retirez les vis au niveau du support inférieur de chaque côté de l'appareil.

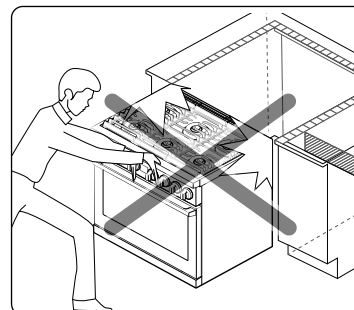


2. Retirez le support sur l'un des côtés en le poussant.



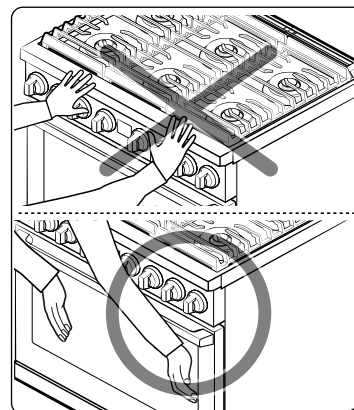
3. Demandez à deux personnes d'attraper les deux côtés inférieurs de l'appareil et de le soulever pour le retirer de la palette. Veillez à ne pas l'attraper par la poignée de la porte.

Pour éviter toute rupture



⚠ ATTENTION

- **NE PUSSEZ PAS** la cuisinière avec trop de force lorsque vous l'installez. Cette action peut l'endommager.



- Attrapez la zone supérieure gauche/droite de la porte (pas la poignée de la porte) à deux mains, puis poussez l'appareil dans l'encastrement. Ne l'attrapez pas par la poignée de la porte.

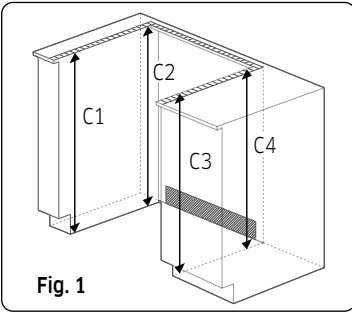


Fig. 1

1. Le plan de travail autour des découpes doit être plat et ajusté (voir la zone hachurée sur la Fig. 1).
2. Avant d'installer l'appareil, mesurez les hauteurs des deux côtés du meuble (C1 à C4), à l'avant et à l'arrière (voir Fig. 1) entre le sol et la face supérieure du plan de travail.
3. Mettez la cuisinière de niveau en utilisant les quatre pieds de mise à niveau de sorte que la hauteur entre le sol et la face supérieure du cadre de la table de cuisson soit de niveau avec le plan de travail.
4. Faites glisser l'appareil dans le meuble (**POUSSEZ DOUCEMENT**). Assurez-vous que le centre de l'appareil soit aligné avec le centre des découpes du meuble.

Exigences en matière de gaz

Assurer une arrivée de gaz adéquate

Cette cuisinière a été conçue pour fonctionner sous une pression de 13 cm (5 po) de colonne d'eau au gaz naturel ou de 25 cm (10 po) de colonne d'eau au GPL (propane ou butane).

Assurez-vous d'alimenter votre cuisinière avec le type de gaz pour lequel elle a été conçue.

N'essayez pas de remplacer le gaz de l'appareil spécifié dans ce manuel par un gaz différent sans consulter votre fournisseur de gaz.

Cette cuisinière est convertible pour une utilisation au gaz naturel ou au gaz propane. Si vous décidez d'utiliser la cuisinière au GPL, la conversion doit être effectuée par un installateur de GPL qualifié avant d'essayer de faire fonctionner l'appareil.

Pour un bon fonctionnement, la pression de gaz naturel fourni au régulateur doit se situer entre 13 cm et 33 cm (6 po et 13 po) de colonne d'eau.

Pour le GPL, la pression fournie doit être comprise entre 25 cm et 33 cm (11 po et 13 po) de colonne d'eau.

Lors de la vérification du bon fonctionnement du régulateur, la pression d'entrée doit être d'au moins 2,5 cm (1 po) supérieure à celle du fonctionnement (répartiteur), comme indiqué.

Le régulateur de pression situé à l'entrée du répartiteur de la cuisinière doit rester dans le circuit d'alimentation, peu importe si du gaz naturel ou du GPL est utilisé.

Un raccord d'appareil en métal souple, utilisé afin de brancher la cuisinière au tuyau d'arrivée de gaz, devrait avoir un diamètre intérieur de 1,3 cm (0,5 po) et être long de 152 cm (5 pieds), pour une installation plus simple. Au Canada, les raccords souples doivent être des raccords en métal à simple paroi, pas plus longs que 183 cm (6 pieds).

Ne nouez et n'endommagez pas la tubulure en métal souple lorsque vous déplacez la cuisinière.

Conditions d'installation

Exigences spéciales en matière d'alimentation en gaz (modèles au gaz vendus dans le Massachusetts)

EXIGENCES DU COMMONWEALTH DU MASSACHUSETTS :

⚠ AVERTISSEMENT

- Des fuites de gaz peuvent se produire dans votre système, provoquant une situation dangereuse.
 - Les fuites de gaz peuvent ne pas être détectées seulement par l'odeur.
 - Les fournisseurs de gaz recommandent que vous achetiez et que vous installiez un détecteur de gaz homologué UL. Le détecteur de gaz devrait être installé conformément aux consignes des fabricants.
- La cuisinière doit être installée par un plombier ou un monteur d'installations au gaz qualifiés par l'État du Massachusetts.
- La vanne de gaz manuelle munie d'une poignée en T DOIT être installée sur le tuyau d'arrivée de gaz de votre cuisinière.
- Si un raccord de gaz souple est utilisé pour l'installation de votre cuisinière, il ne faut alors pas brancher plusieurs canalisations de gaz souples en série.

Exigences en matière de raccordement électrique

⚠ AVERTISSEMENT

Pour réduire le risque d'incendie, de décharge électrique ou de tout autre dommage corporel :

Toutes cuisinières

- N'utilisez pas de rallonge ou de fiche intermédiaire avec cette cuisinière.
- Cet appareil doit être correctement relié à la terre.
- Consultez un électricien qualifié si vous avez un doute quant à la mise à la terre de votre cuisinière.
- Ne modifiez pas la prise fournie avec la cuisinière - si elle ne s'adapte pas à votre prise murale, renseignez-vous auprès d'un électricien qualifié pour remplacer cette dernière.
- Le câblage et la mise à la terre doivent être conformes aux codes locaux ou, en l'absence de ceux-ci, avec le Code National Électrique, ANSI/NFPA n° 70 - dernière édition (pour les États-Unis) ou avec le Code Électrique Canadien CSA C22.1 - dernière édition et législations en vigueur.
- Le schéma de câblage se trouve à l'arrière de la cuisinière. (à l'intérieur de la protection arrière du câblage)
- Cette cuisinière est équipée d'un système d'allumage électronique qui ne fonctionnera pas s'il est branché à une prise n'étant pas correctement polarisée.

Modèles mixtes

- Les modèles canadiens sont équipés d'un cordon d'alimentation disposant d'un conducteur de protection et d'une prise de mise à la terre.
(Le cordon d'alimentation n'est pas fourni avec les modèles américains.)
- Une installation électrique homologuée de 240 V, 60 Hz, CA avec un disjoncteur ou un fusible à retardement de 40 A est exigée pour tout modèle américain et canadien.
- Vérifiez le dispositif de protection de 1,9 cm (¾ po), homologué UL, à l'endroit où le cordon d'alimentation ressort du tiroir de la cuisinière.
- Ne réutilisez pas le cordon d'alimentation d'une ancienne cuisinière ou d'un autre appareil.
- Le câblage de l'alimentation électrique du cordon d'alimentation doit être conservé dans le tiroir de la cuisinière avec un dispositif de protection homologué UL adapté.
- Il est également recommandé d'utiliser un fusible à retardement ou un disjoncteur.

Mise à la terre

- Toutes les cuisinières doivent être mises à la terre pour votre sécurité personnelle.
- Tous les modèles de cuisinières à gaz sont équipés d'un cordon d'alimentation disposant d'un conducteur de protection et d'une prise de mise à la terre.
- La fiche doit être branchée sur une prise secteur 3 broches ou 4 broches posée et mise à la terre conformément à la législation en vigueur. La mise à la terre réduit le risque d'électrocution, car elle fournit au courant un chemin de sortie en cas de dysfonctionnement ou de panne.
- N'utilisez jamais un cordon d'alimentation endommagé ou une prise murale mal fixée.
- N'utilisez pas de rallonge ou d'adaptateur avec cet appareil.
- Ne coupez, ne modifiez, ne retirez ou ne démontez en aucun cas la mise à la terre, si fournie. Si la prise ne s'adapte pas à la prise secteur ou si vous avez le moindre doute, renseignez-vous auprès d'un électricien qualifié pour remplacer cette dernière. Le client doit faire vérifier la prise murale et le circuit par un électricien qualifié afin de s'assurer que la prise est correctement mise à la terre. Des disjoncteurs différentiels de fuite à la terre (DDFT) ne sont ni exigés ni recommandés pour les prises des cuisinières.
- Ne branchez **JAMAIS** le câble de mise à la terre sur des canalisations en plastique ou des conduites de gaz ou d'eau chaude.

ATTENTION

Le non-respect de ces consignes peut entraîner un incendie ou une électrocution et avoir des conséquences mortelles.

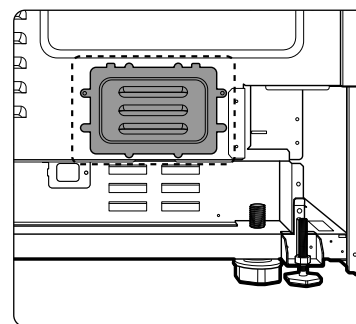
Situations d'utilisation où le cordon d'alimentation de l'appareil sera débranché fréquemment

N'utilisez pas une fiche intermédiaire dans ces cas-là car le débranchement du cordon d'alimentation applique une tension excessive sur l'adaptateur et peut entraîner une panne de la borne de mise à la terre de l'adaptateur. Les prises de 240 V sont dotées de 3 ou 4 broches et ne sont pas fournies avec l'appareil.

Conditions d'installation supplémentaires pour mobile-homes

L'installation d'appareils conçus pour les mobile-homes doit se conformer à la Norme de sécurité et de structure pour mobile-homes, titre 24 CFR, partie 3280 (anciennement la Norme fédérale sur la sécurité et la structure pour mobile-homes, titre 24, HUD, partie 280) ou, dans les cas où cette norme n'est pas applicable, le Norme pour les installations dans les mobile-homes, dernière édition (Installations, communautés et sites de mobile-homes), ANSI A225.1, dernière édition, ou au codes locaux. Au Canada, l'installation de mobile-home doit respecter l'actuel Code actuel sur l'installation de mobile-home CAN/CSA Z240/MH.

Emplacement du cordon d'alimentation

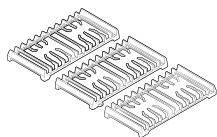


Le cordon d'alimentation de cet appareil se situe à l'arrière de la cuisinière, vers le coin inférieur gauche.

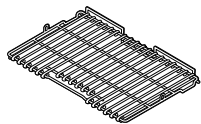
Outils et matériel

Éléments de la boîte

Pièces fournies



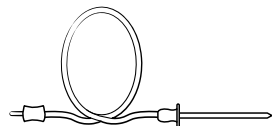
Grilles du brûleur de surface (3)



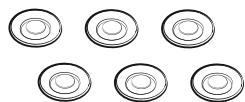
Grille plate (1)



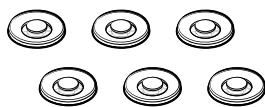
Anneau wok (1)



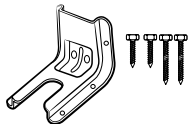
Température Sonde (1)



Chapeaux de brûleurs en laiton (6)



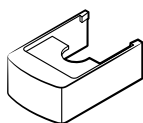
Têtes de brûleurs (6) et chapeaux de brûleurs (6)



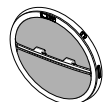
Kit de support anti-basculement



Grille coulissantes (2)



Caches des pieds avant (2)



Filtre de convection (2)

REMARQUE

- Assurez-vous d'avoir reçu toutes les pièces fournies indiquées ci-dessus.
- Si votre cuisinière a été endommagée lors du transport ou que vous n'avez pas reçu toutes les pièces, contactez votre revendeur local.

Pièces requises



Cordon 4 fils ou 3 fils



Vanne de coupure de gaz



Raccord d'appareil en métal flexible ½" x 5 pi (Diamètre intérieur)



Raccord union évasé ¼" ou ½" (NPT) x ½" (Diamètre intérieur)



Raccord union évasé ½" (NPT) x ½" (Diamètre intérieur)



Coude de 135 degrés (facultatif)



Vis à bois ou boulon d'ancrage de diamètre extérieur de ½"

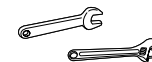
Outils requis



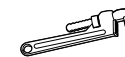
Tournevis à lame plate



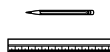
Tournevis cruciforme



Clé à fourche ou clé à molette



Clé à tuyau (2)



Un crayon et une règle



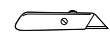
Niveau



Pâte à joint pour tuyau



Tournevis à douille



Cutter



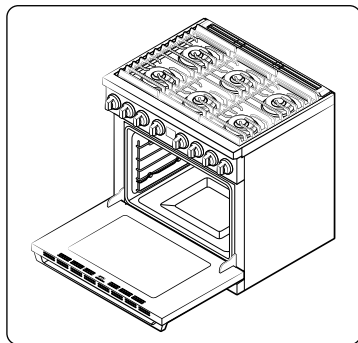
Solution d'eau savonneuse

Consignes d'installation

Installation de votre cuisinière mixte

REMARQUE

- **IMPORTANT** : Veuillez lire attentivement les consignes suivantes dans leur totalité, ainsi que la section des consignes de sécurité importantes au début de ce manuel, AVANT d'installer et/ou de faire fonctionner la cuisinière à gaz. Une installation, un réglage, une manipulation ou un entretien incorrect peut entraîner des blessures ou des dégâts matériels.



- Pour commander des pièces ou des accessoires, contactez votre revendeur local ou reportez-vous à la dernière page du manuel.
- Pour assurer une bonne installation, nous vous recommandons fortement d'engager un installateur professionnel.

Étape 1 : déballage de la cuisinière

Retirez le matériel d'emballage. Tout matériel d'emballage non retiré risque d'endommager l'appareil.

Comptez toutes les pièces détachables en vous référant à la liste 'Pièces fournies' de la page 18.

Vérifiez que l'appareil n'a subi aucun dommage lors du transport et/ou qu'aucune pièce ne manque. Tout dommage et/ou pièce manquante doit être signalé à votre revendeur local.

Étape 2 : respect des exigences en matière de raccordements électriques

ATTENTION

Pour votre propre sécurité, n'utilisez pas de rallonge avec cet appareil. Retirez le fusible de l'installation électrique ou ouvrez le disjoncteur avant de démarrer l'installation.

Cet appareil doit être alimenté par la fréquence et la tension adaptées. Il doit également être branché sur un circuit individuel correctement mis à la terre et protégé par un disjoncteur ou un fusible dont l'ampérage est conforme à celui spécifié sur la plaque signalétique de l'appareil. La plaque signalétique est située au-dessus du tiroir sur la structure du four.

Nous vous recommandons de confier le câblage et le branchement électriques de votre cuisinière à un électricien qualifié. Une fois l'installation effectuée, demandez à l'électricien de vous montrer l'emplacement de débranchement principal de votre cuisinière.

Vérifiez auprès de votre service public les codes électriques s'appliquant à votre zone. Le non-respect des codes obligatoires pour le branchement de votre four peut s'avérer dangereux. S'il n'existe pas de codes locaux, votre cuisinière doit être branchée conformément aux exigences du Code national électrique, ANSI/NFPA N° 70 (dernière édition).

Vous pouvez en obtenir une copie en adressant un courrier à :

National Fire Protection Association
Batterymarch Park
Quincy, MA 02269

Entré en vigueur le 1er janvier 1996, le Code électrique national exige que toute construction neuve (non existante) doive être équipée d'un branchement à 4 conducteurs pour les cuisinières électriques.

Lorsque vous installez une cuisinière électrique dans une construction neuve, suivez les étapes 2 et 3 relatives aux connexions à 4 fils.

Vous devez utiliser un système électrique à 3 fils ou 4 fils monophasé CA de 208Y/120 volts ou 240/120 volts, 60 hertz.

Si votre installation électrique n'est pas conforme aux spécifications ci-dessus, contactez un électricien agréé afin d'installer une prise homologuée.

Utilisez uniquement un cordon d'alimentation à 3 ou 4 fils figurant dans la liste UL. Ces cordons nécessitent des bornes rondes sur le fil et un dispositif de protection contre la traction.

Un cordon d'alimentation nominale de 40 A et de 125/250 V minimum est indispensable.

Consignes d'installation

Il n'est pas recommandé d'utiliser un cordon d'alimentation de 50 A, mais si toutefois vous en utilisez un, celui-ci doit être repéré pour être utilisé avec des ouvertures de connexion de diamètre nominal 1 3/8". Veillez à bien centrer le câble et le dispositif de protection contre la traction dans le trou d'éjection afin d'empêcher que le bord n'endommage le câble.

Etant donné que les prises de la cuisinière sont inaccessibles une fois la cuisinière installée, il est nécessaire d'utiliser une gaine ou un cordon flexible.

REMARQUE

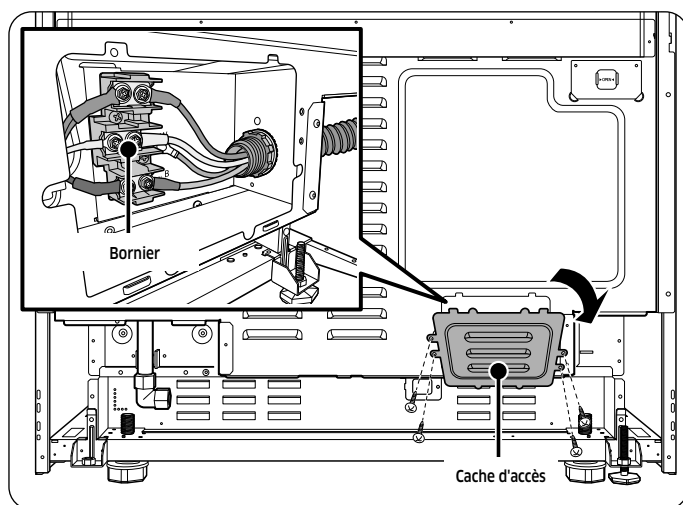
Si une gaine est utilisée, allez à l'**Étape 5** figurant en pages 22-23.



TOUTES LES CONSTRUCTIONS DONT LES CIRCUITS DERIVES SONT NEUFS, LES MAISONS MOBILES, LES VEHICULES ET LES INSTALLATIONS DE LOISIRS DONT LES CODES LOCAUX NE PERMETTENT PAS UNE MISE A LA TERRE PAR UNE BORNE NEUTRE, NECESSITENT L'UTILISATION D'UN CORDON D'ALIMENTATION A 4 FILS FIGURANT DANS LA LISTE UL.

Étape 3 : accès au branchement du cordon d'alimentation

Retirez le panneau d'accès situé à l'arrière et desserrez la vis à l'aide d'un tournevis. Vous pourrez alors accéder au bornier.

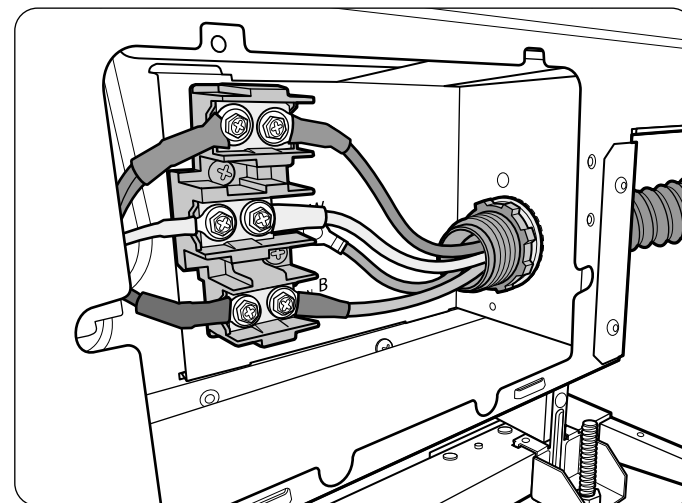


Classification de l'équipement nécessaire à la mise sous tension

Classification générale, watts		Classification de l'équipement nécessaire à la mise sous tension, ampères	Diamètre (pouces) de l'ouverture de connexion de la cuisinière	
120/240 volts, 3 fils	120/208 volts, 3 fils		Cordon d'alimentation	Gaine
8750 - 16500	7801 - 12500	40 ou 50 A	1 3/8"	1 1/8"

Étape 4 : installation du cordon d'alimentation

Pour les installations de cordon d'alimentation, accrochez le dispositif de protection contre la traction sur l'orifice du cordon d'alimentation (1 3/8") situé sous la partie arrière du tiroir. Insérez le cordon d'alimentation dans le dispositif de protection contre la traction et serrez-le.

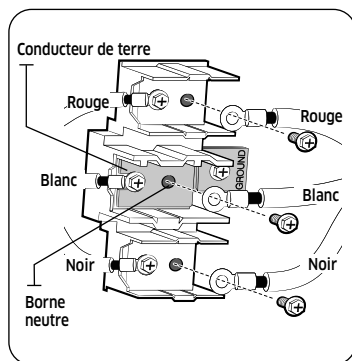


- Le cordon d'alimentation doit être installé au moyen d'un dispositif de protection contre la traction.
- Fixez le dispositif de protection contre la traction sur l'ouverture de 1 3/8" dans la plaque de raccordement de la gaine.

Installation d'un cordon d'alimentation à 3 fils

⚠ AVERTISSEMENT

La prise de terre ou la prise neutre du cordon d'alimentation doit être connectée à la borne neutre située au centre du bornier. Les câbles d'alimentation doivent être connectés aux bornes inférieures gauches et inférieures droites du bornier.

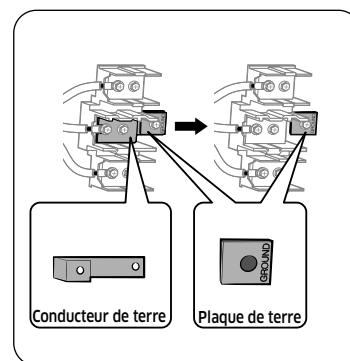


1. Retirez les 3 vis de la borne inférieure du bornier.
2. Insérez les 3 vis de la borne dans les bornes inférieures du bornier en passant par chacun des anneaux de la borne du cordon d'alimentation. Assurez-vous que le fil central (blanc/neutre) est relié à l'emplacement central inférieur du bornier.
3. Serrez fermement les vis dans le bornier. **NE retirez PAS la connexion du conducteur de terre.**
4. Reportez-vous à l'**Étape 6** de la page 23 et procédez à l'installation.

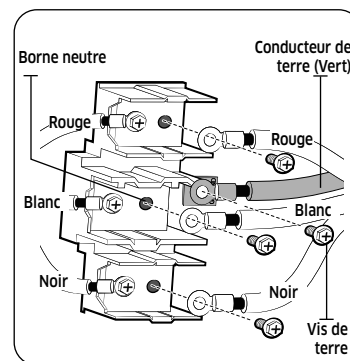
Installation d'un cordon d'alimentation à 4 fils

⚠ AVERTISSEMENT

La prise neutre du circuit d'alimentation doit être connectée à la borne neutre située au centre du bornier. Les câbles d'alimentation doivent être connectés aux bornes inférieures gauches et inférieures droites du bornier. Le 4ème câble de mise à la terre doit être connecté au bâti de la cuisinière au moyen de la plaque et de la vis de masse.



1. Retirez les 3 vis de la borne inférieure du bornier. Retirez la vis et la plaque de terre et conservez-les.
2. **Coupez et jetez le conducteur de terre. Ne jetez aucune vis.**
3. Insérez la première vis de terre dans l'anneau de la borne du fil de mise à la terre du cordon d'alimentation, en passant par la plaque de masse puis dans le bâti de la cuisinière.
4. Insérez les 3 vis de la borne (retirées précédemment) dans les bornes inférieures du bornier en passant par chacun des anneaux de la borne du cordon d'alimentation. Assurez-vous que le fil central (blanc/neutre) est relié à l'emplacement central inférieur du bornier. Serrez fermement les vis dans le bornier.
5. Reportez-vous à l'**Étape 6** de la page 23 et procédez à l'installation.

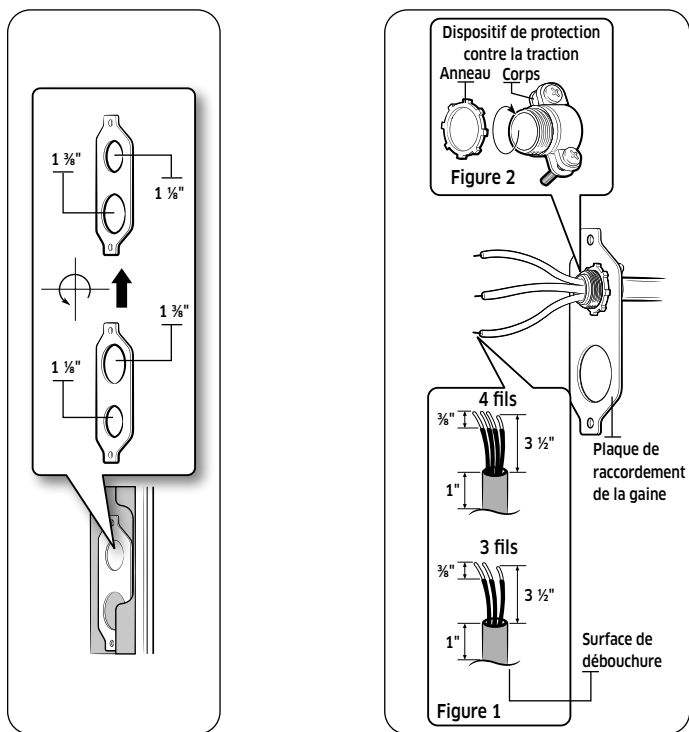


Consignes d'installation

Étape 5. Installation de la gaine

Retirez la plaque de connexion de la gaine de la partie arrière du tiroir, puis faites-la pivoter comme indiqué ci-dessous.

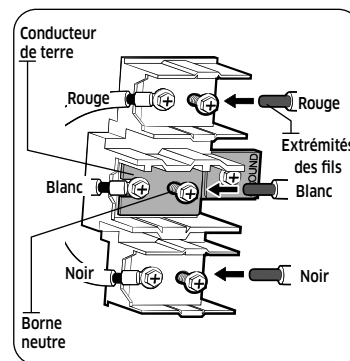
Le trou de la gaine (1 1/8") doit être utilisé.



1. Préparez le cordon de la gaine comme le montre la figure 1.
 2. Installez le cordon de la gaine comme le montre la figure 2.
- Pour des installations avec gaine, insérez le dispositif de protection contre la traction (non fourni) dans le trou de la gaine (1 1/8"). Faites ensuite passer le cordon de la gaine dans le dispositif de protection contre la traction, puis serrez l'anneau de serrage. Réinstallez le support.

Installation d'une gaine à 3 fils

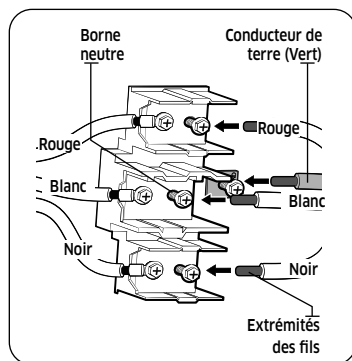
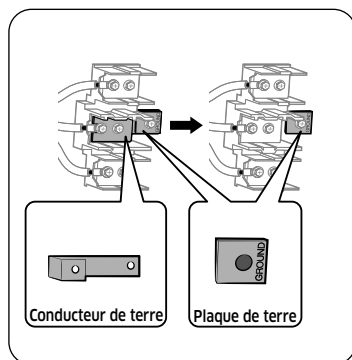
- Un fil réalisé en aluminium peut être utilisé mais il devra être doté de l'intensité et de la tension nominales correctes permettant d'établir la connexion. Connectez les fils en suivant l'étape 4 selon le nombre de fils utilisé.
- Les fils utilisés, les emplacements, les jonctions de fils, etc. doivent être conformes aux bonnes pratiques de câblage et aux codes locaux.



1. Desserrez les 3 vis des bornes inférieures du bornier.
2. Insérez l'extrémité du fil dénudé (blanc/neutre) central dans l'ouverture inférieure centrale du bornier. Sur certains modèles, le fil devra être inséré dans l'ouverture du conducteur de terre puis dans l'ouverture inférieure centrale du bornier.
3. Insérez les deux extrémités dénudées des fils de chaque côté dans les ouvertures inférieure gauche et inférieure droite du bornier.
4. Serrez les vis jusqu'à fixation complète du fil (35 à 50 pouces-livres). Ne serrez pas excessivement les vis sous peine d'endommager les fils.
5. Reportez-vous à l'**Étape 6** de la page 23 et procédez à l'installation.

Installation d'une gaine à 4 fils

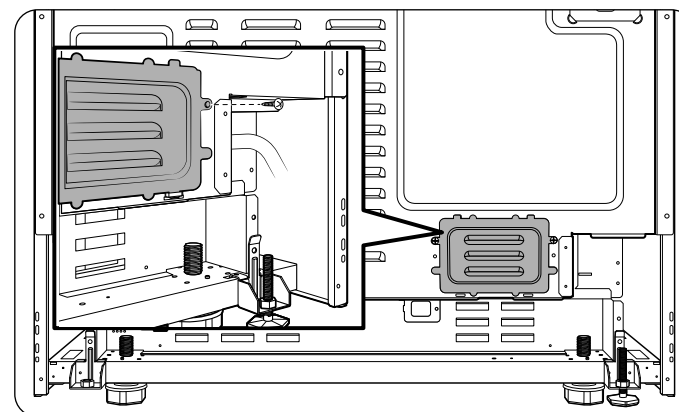
- Un fil réalisé en aluminium peut être utilisé mais il devra être doté de l'intensité et de la tension nominales correctes permettant d'établir la connexion. Connectez les fils en suivant l'étape 4 selon le nombre de fils utilisé.
- Les fils utilisés, les emplacements, les jonctions de fils, etc. doivent être conformes aux bonnes pratiques de câblage et aux codes locaux.



1. Desserrez les 3 vis des bornes inférieures du bornier. Retirez la vis et la plaque de terre et conservez-les.
2. **Coupez et jetez le conducteur de terre. Ne jetez aucune vis.**
3. Insérez l'extrémité du fil de terre dénudée entre le bâti de la cuisinière et la plaque de terre (retirée précédemment) et fixez-la à l'aide de la vis de terre (retirée précédemment).
4. Insérez l'extrémité dénudée du fil (blanc/neutre) dans l'ouverture inférieure centrale du bornier.
5. Insérez les deux extrémités dénudées des fils de chaque côté dans les ouvertures inférieure gauche et inférieure droite du bornier.
6. Serrez les vis jusqu'à fixation complète du fil (35 à 50 pouces-livres). Ne serrez pas excessivement les vis sous peine d'endommager les fils.
7. Reportez-vous à l'**Étape 6** et procédez à l'installation.

Étape 6. remise en place du panneau d'accès

Remplacez le panneau d'accès à l'arrière de la cuisinière. Pour replacer la protection du câblage, insérez les deux saillies dans les orifices situés sous les ouvertures et serrez la vis.



Consignes d'installation

Étape 7 : branchez la cuisinière à l'arrivée de gaz

Fermez la vanne d'arrivée de gaz principale avant de débrancher votre ancienne cuisinière et laissez-la fermée jusqu'à ce que les branchements électriques soient terminés. Lorsque vous rouvrez le gaz, n'oubliez pas de rallumer le pilote sur les autres appareils.

Puisque les tuyaux rigides restreignent le déplacement de la cuisinière, l'utilisation d'un raccord d'appareil en métal souple conforme aux normes CSA internationales est recommandée, sauf si les codes locaux exigent un branchement avec tuyaux rigides.

AVERTISSEMENT

Si vous ne respectez pas scrupuleusement les informations contenues dans ce manuel, vous risquez de provoquer un incendie ou un choc électrique et, par conséquent, des dégâts matériels, blessures ou accidents mortels.

- N'entreposez et n'utilisez pas d'essence ou d'autres vapeurs et liquides inflammables à proximité de cet appareil ou de tout autre.
- DANS LE CAS OÙ VOUS SENTEZ UNE ODEUR DE GAZ :
 - N'allumez PAS d'allumette, de bougie ou de cigarette.
 - N'ESSAYEZ PAS d'allumer un appareil quel qu'il soit.
 - NE touchez AUCUN commutateur électrique.
 - N'utilisez PAS de téléphone dans votre immeuble.
 - Évacuez la pièce, l'immeuble ou le quartier de tous les occupants.
 - Appelez immédiatement votre fournisseur de gaz à partir du téléphone d'un voisin. Suivez les instructions de votre fournisseur de gaz.
 - Si vous ne parvenez pas à joindre votre fournisseur de gaz, appelez les pompiers.
- L'installation et l'entretien doivent être effectués par un installateur qualifié, une agence de maintenance ou votre fournisseur de gaz.

N'utilisez jamais un vieux raccord lors de l'installation d'une nouvelle cuisinière. Si la méthode des tuyaux rigides est employée, vous devez aligner les tuyaux avec précaution ; la cuisinière ne peut plus être déplacée une fois le branchement établi.

Afin d'éviter des fuites de gaz, appliquez de la pâte de joint pour tuyau ou enroulez du ruban de filetage de tuyau avec du téflon sur tous les filetages de tuyau mâle (externe).

1. Installez une vanne de coupure de gaz manuelle au niveau du tuyau, à un endroit, hors de la cuisinière, facilement accessible.
Assurez-vous que toute personne utilisant la cuisinière sait où et comment couper l'arrivée de gaz.

2. Installez le raccord union mâle évasé de 1,3 cm (0,5 po) sur le filet interne de 1,3 cm (0,5 po) NPT, au niveau de l'entrée du régulateur. Utilisez une contre-clé pour serrer le régulateur afin d'éviter tout dommage.
Lorsque vous installez l'appareil depuis l'avant, retirez le coude de 90 ° pour une installation plus facile.
3. Installez le raccord union mâle évasé de 1,3 cm (0,5 po) ou 1,9 cm (0,75 po) sur le filet interne NPT de la vanne de coupure de gaz manuelle, en prenant soin de la soutenir afin de l'empêcher de tourner.
4. Branchez le raccord d'appareil en métal souple à l'adaptateur de la cuisinière. Placez la cuisinière de sorte que le branchement sur la vanne de coupure de gaz soit possible.
5. Lorsque tous les branchements sont effectués, assurez-vous que tous les boutons de la cuisinière sont sur la position arrêt, puis ouvrez la vanne d'arrivée de gaz principale. Utilisez un détecteur de fuite liquide sur tous les joints et branchements afin de repérer les fuites dans le système.

AVERTISSEMENT

Afin d'éviter tout accident mortel, blessure, explosion et/ou risque d'incendie, **NE VÉRIFIEZ PAS** la présence de fuites de gaz à l'aide d'une flamme.

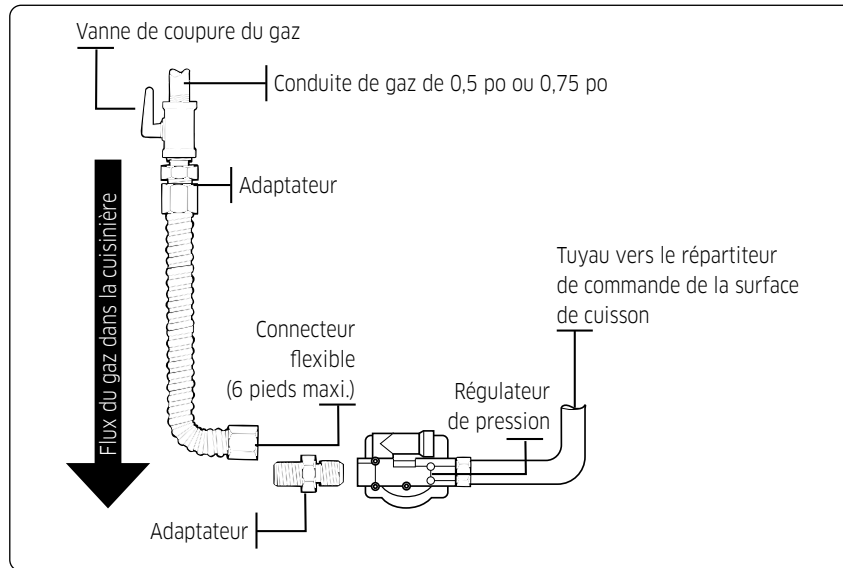
Lorsque vous utilisez une pression de test de plus de ½ psig afin de tester la pression du système d'alimentation en gaz du domicile, débranchez du tuyau d'arrivée de gaz la cuisinière ainsi que la vanne de coupure individuelle. Lorsque vous utilisez une pression de test de ½ psig ou moins afin de tester le système d'alimentation en gaz, isolez simplement la cuisinière du système en fermant la vanne de coupure de gaz individuelle.

⚠ AVERTISSEMENT

Ne dépassez pas 25 pi-lb de couple de serrage lorsque vous réalisez des raccordements de tuyaux de gaz. Si vous serrez trop, le régulateur de pression risque de fissurer ce qui entraînerait une fuite de gaz.

Branchement du raccord souple

Installateur : Informez le client de l'emplacement de la vanne de coupure de gaz.



📖 REMARQUE

- Si la zone géographique dans laquelle vous vous trouvez exige un branchement avec des tuyaux rigides, contactez un installateur qualifié, une agence de maintenance ou un fournisseur de gaz.
- La vanne de coupure de gaz devrait être installée dans un endroit accessible au niveau du tuyau de gaz, externe à l'appareil, dans le but d'ouvrir ou de fermer le gaz de la cuisinière.

Étape 8 : conversion en GPL (facultatif)

Toutes les nouvelles cuisinières à gaz sont livrées depuis l'usine, prête à fonctionner au gaz naturel. Cette cuisinière à gaz Dacor peut être convertie pour utiliser du gaz propane. (Contactez un technicien de maintenance qualifié.)

Le processus de conversion doit uniquement être exécuté par un installateur de GPL qualifié. Les consignes de conversion et les entrées pour le PL seront fournies avec le kit de conversion. La conversion en PL requiert le changement de tous les orifices des brûleurs (6 brûleurs de surface et 2 brûleurs du four).

De plus, le gicleur du régulateur de la pression de gaz doit être renversé. Tous les orifices ayant été remplacés doivent être laissés au client, comprenant les consignes, les dimensions améliorées et les indications des orifices.

DIMENSIONS DES ORIFICES DU BRÛLEUR ET PUISSANCE DE SORTIE (GPL [propane] 10 dans WCP)		
Emplacement du brûleur	Taux BTU	Taille de l'orifice [mm]
AvG	16500	Entrée : 0,46 / Sortie : 0,78 x2
ArG	14500	Entrée : 0,46 / Sortie : 0,74 x2
AvD	16500	Entrée : 0,46 / Sortie : 0,78 x2
ArD	14500	Entrée : 0,46 / Sortie : 0,74 x2
AvC	14500	1,12
ArC	14500	1,12

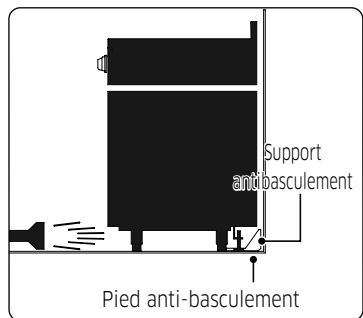
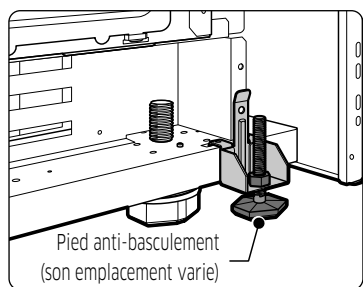
DIMENSIONS DES ORIFICES DU BRÛLEUR ET PUISSANCE DE SORTIE (Gaz naturel 5 dans WCP)		
Emplacement du brûleur	Taux BTU	Taille de l'orifice [mm]
AvG	22000	Entrée : 0,85 / Sortie : 1,40 x2
ArG	16000	Entrée : 0,70 / Sortie : 1,17 x2
AvD	22000	Entrée : 0,85 / Sortie : 1,40 x2
ArD	16000	Entrée : 0,70 / Sortie : 1,17 x2
AvC	16000	1,78
ArC	16000	1,78

Consignes d'installation

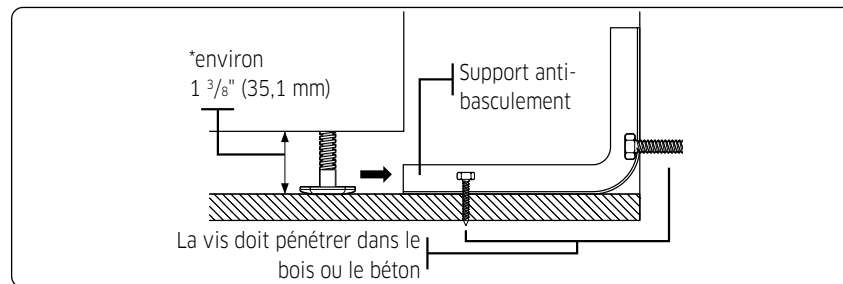
Étape 9 : installation du dispositif anti-basculement

⚠ AVERTISSEMENT

- Pour réduire le risque de basculement, l'appareil doit être sécurisé à l'aide des dispositifs anti-basculement correctement installés, fournis dans l'emballage.
- Toute cuisinière peut basculer, provoquant des blessures.
- Le basculement d'une cuisinière peut provoquer des brûlures dues aux projections, des blessures et/ou des accidents mortels.
- Afin d'éviter un basculement accidentel, installez et vérifiez le support anti-basculement en suivant les consignes et le modèle fournis avec le support.



Un support et des vis anti-basculement, des consignes d'installation et un modèle sont livrés avec chaque cuisinière (PN 114475). Les consignes comprennent des informations nécessaires pour terminer l'installation du support anti-basculement. Lisez et suivez les consignes de la feuille et utilisez le modèle pour l'installation du support anti-basculement. Si le support n'est pas correctement installé, le fait que quelqu'un marche, s'assoit ou s'appuie contre la porte ouverte du four pourrait faire basculer la cuisinière.



📖 REMARQUE

Pour installer le support anti-basculement, desserrez le pied de mise à niveau à l'aide d'une clé à tuyau car du Loctite a été appliqué sur le boulon afin d'éviter un déverrouillage dû aux vibrations. Un dégagement minimum de 1 3/8" (35,1 mm) est nécessaire entre le dessous de la cuisinière et le sol de la cuisine.

Afin de vérifier si le support est installé et engagé correctement, retirez le panneau décoratif et regardez sous la cuisinière pour vérifier que le pied de mise à niveau est bien engagé dans le support. Inclinez avec précaution la cuisinière en avant. Le support devrait arrêter la cuisinière à moins de 10,2 cm (4 pouces) d'inclinaison. Si ce n'est pas le cas, le support doit être réinstallé.

Si, pour une quelconque raison, la cuisinière est retirée du mur, répétez toujours cette procédure pour vérifier que celle-ci est correctement fixée par le support anti-basculement. Ne démontez jamais complètement les pieds de mise à niveau ou la cuisinière ne serait pas fixée correctement au dispositif anti-basculement.

Étape 10. branchez et positionnez la cuisinière

⚠ AVERTISSEMENT

- **AVANT TOUT FONCTIONNEMENT OU TEST, respectez les conditions de mise à la terre des pages 16-17 de ce manuel. Tout raccordement non conforme de la prise de mise à la terre peut entraîner un risque d'électrocution.**

Veillez consulter la section « Exigences en matière de raccordement électrique » aux pages 16-17.

- Modifier une pièce de ce système peut conduire à un court-circuit ou à une surcharge.
1. Branchez le cordon d'alimentation. Assurez-vous que la prise secteur est conforme aux codes en matière d'électricité locale ou nationale, comme répertoriés aux pages 16-17
 2. Faites glisser la cuisinière pour la placer.
 3. Vérifiez le tuyau d'arrivée de gaz pour vous assurer qu'il n'a subi aucun dommage et qu'il est resté branché pendant le positionnement.
 4. Assurez-vous également que le pied arrière de la cuisinière se soit bien glissé dans le support anti-basculement. Inclinez avec précaution la cuisinière vers l'avant afin de vous assurer que le support anti-basculement s'emboîte dans la fixation arrière et que la cuisinière ne bascule pas.

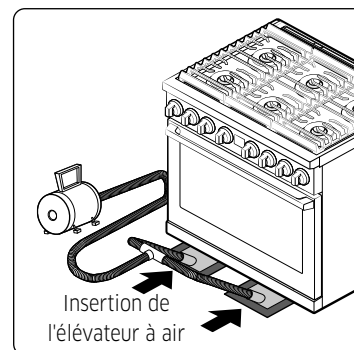
📖 REMARQUE

Si les fils d'alimentation sont mal branchés, le message suivant apparaît à l'écran.

- LCD, PMOLED : Wire installation fail (mauvais branchement des câbles)
- LED : bAd LinE (mauvais branchement)

Rebranchez correctement le cordon d'alimentation ; le message disparaît alors.

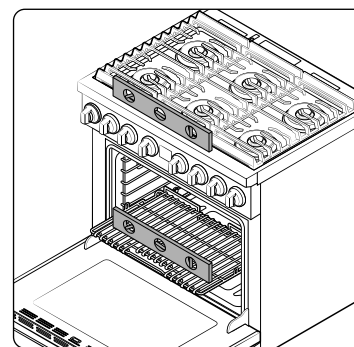
Étape 11. Déplacement et positionnement de la cuisinière



1. En raison de son poids, un système pour équipement lourd tel qu'un élévateur à air devra être utilisé pour déplacer cet appareil. Le poids doit être soutenu de manière uniforme au bas de l'appareil.
2. Une fois la cuisinière transportée vers l'emplacement souhaité à l'aide de l'élévateur à air, la cuisinière peut être mise à niveau en réglant les pieds à l'aide d'une clé alors que l'élévateur est toujours en place. En utilisant une clé, mettez la cuisinière à niveau en serrant ou desserrant les pieds de mise à niveau avant, selon le besoin. Tourner dans le sens anti-horaire réduit le pied et baisse la cuisinière. Tourner dans le sens horaire allonge le pied et fait monter la cuisinière.

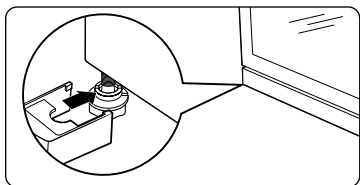
📖 REMARQUE

Réglez uniquement les pieds de mise à niveau autant que nécessaire pour mettre la cuisinière à niveau. Allonger les pieds de mise à niveau plus que nécessaire ou les retirer peut entraîner l'instabilité de la cuisinière.



3. Si la cuisinière se trouve à proximité ou entre des meubles, assurez-vous que la table de cuisson (sans les grilles du brûleur de surface) se trouve au même niveau que les plans de travail.
4. Placez une grille du four dans la position de la grille centrale.
5. Vérifiez le niveau de la cuisinière avec un niveau de menuisier en appliquant les deux positions indiquées à droite.
6. Une fois que la cuisinière a été mise à niveau, utilisez l'élévateur à air pour l'éloigner du mur afin que le support anti-basculement puisse être installé.

Consignes d'installation



7. Une fois la cuisinière installée et mise de niveau, retirez l'élévateur à air avec précaution et installez les caches des pieds avant (à gauche et à droite).

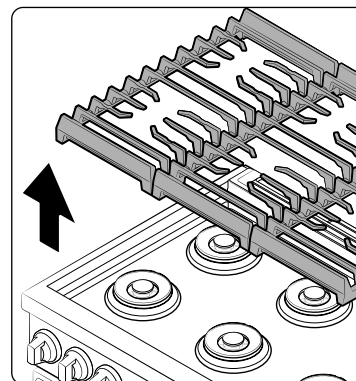
Étape 12. montage des brûleurs de la surface de cuisson

⚠ ATTENTION

Ne faites pas fonctionner les brûleurs de surface si toutes les pièces de ceux-ci ne sont pas en place.

1. Placez les têtes des brûleurs de surface par-dessus les coupelles de répartition des brûleurs de surface, comme illustré à droite. Les électrodes seront adaptées à la fente se trouvant sous les têtes de brûleurs. Assurez-vous que les têtes des brûleurs de surface sont plates et parallèles à la table de cuisson.
2. Placez ensuite les chapeaux de tailles correspondantes sur chaque tête des brûleurs de surface.

Dessus	Dessous



3. Placez les grilles de la surface de cuisson gauche et droite sur la table de cuisson. Les bords des grilles doivent s'adapter aux bords de la table de cuisson.

📖 REMARQUE

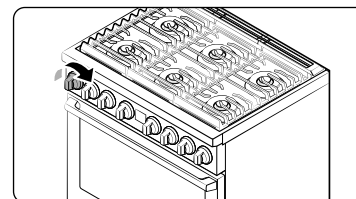
- Les grilles doivent être placées dans la position qui leur est propre car elles ne sont pas interchangeables.
- Vous pouvez reconnaître la bonne position des grilles en vérifiant le bas de chacune d'entre elles. Recherchez la position gravée sur les grilles droite et gauche, « RIGHT REAR » (Arrière droite) et « LEFT REAR » (Arrière gauche) respectivement.
- Les grilles sont lourdes. Faites attention lorsque vous manipulez les grilles.

Étape 13. vérifiez l'allumage des brûleurs de surface et des brûleurs du four

Vérifiez que chaque table de cuisson et chaque brûleur du four fonctionnent après que la cuisinière a été installée et montée, après que les tuyaux d'arrivée de gaz ont été précautionneusement contrôlés pour fuites et que le cordon d'alimentation électrique a été branché.

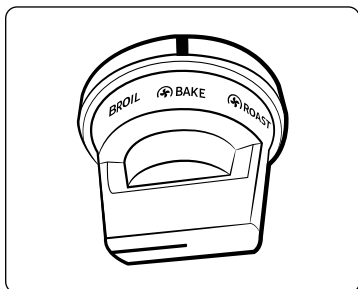
Tous les brûleurs de surface et tous les brûleurs du four disposent d'un allumage électronique.

Pour allumer un brûleur de surface :



1. Enfoncez et tournez le bouton de commande sur la position **LITE (ALLUMAGE)** (🔥). Le système d'allumage électronique fonctionne correctement si vous entendez un « clic ».
2. Tournez le bouton de commande pour ajuster le niveau de la flamme.

Pour allumer les brûleurs de cuisson et de grill :



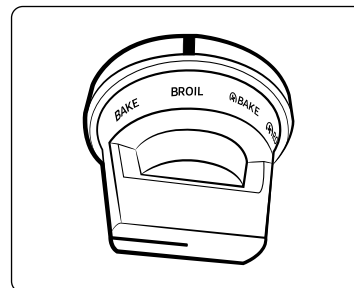
1. Tournez le sélecteur de mode de la position **OFF (ARRÊT)** à **Convection Bake (Cuisson par convection)**, **Convection Roast (Rôtissage par convection)**, **Pure Convection (Convection standard)**.
2. Tournez le bouton du sélecteur de température à partir de la position **OFF (ARRÊT)** pour changer la température. Vous pouvez régler le four sur une température comprise entre **LO (FAIBLE)** et 550 °F (288 °C).
 - Le four à gaz est en préchauffage jusqu'à ce qu'il atteigne la température réglée.
 - Lorsque le préchauffage est terminé, placez les aliments dans le four et fermez la porte.
3. Une fois la cuisson terminée, tournez les boutons du sélecteur de mode et de température sur la position **OFF (ARRÊT)**, puis sortez les aliments.

REMARQUE

Pour changer la température en cours de cuisson, utilisez le bouton du sélecteur de température.

Pour allumer les brûleurs du grill :

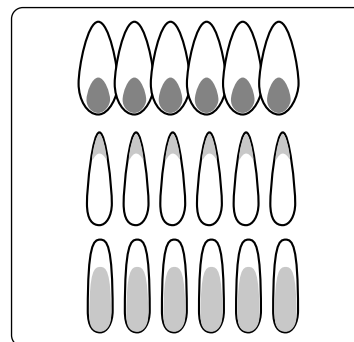
La cuisson au grill utilise le four à gaz supérieur uniquement pour brunir les aliments. La viande et le poisson doivent être placés sur une grille dans une lèchefrite.



1. Tournez le bouton du sélecteur de mode pour le faire passer de la position **OFF (ARRÊT)** à **Broil (Cuisson au grill)**, puis tournez le bouton du sélecteur de température pour régler la température de cuisson au grill en la faisant passer de la position **OFF (ARRÊT)** à **HI (ÉLEVÉE)** ou **LO (FAIBLE)**.
2. Lorsque la cuisson au grill sur l'un des côtés est terminée, tournez les boutons du sélecteur de mode et de température sur la position **OFF (ARRÊT)**.

Contrôler la qualité de la flamme :

Les flammes des brûleurs doivent toutes être contrôlées visuellement afin de déterminer leur qualité de combustion.



1. **Il est normal d'avoir une prédominance de flammes bleu clair** pour un fonctionnement au gaz naturel.
2. **Des pointes jaunes à l'extrémité des cônes** sont normales pour un fonctionnement au GPL.
3. **Des flammes jaunes** sont anormales pour un fonctionnement avec tous les gaz ; contactez le service technique.

REMARQUE

Si la flamme du brûleur ressemble à 3, la cuisinière ne doit pas être utilisée à moins d'être révisée. Appelez Dacor pour joindre l'assistance. Normalement les flammes du brûleur doivent ressembler à 1 ou 2, en fonction du type de gaz que vous utilisez.

Consignes d'installation

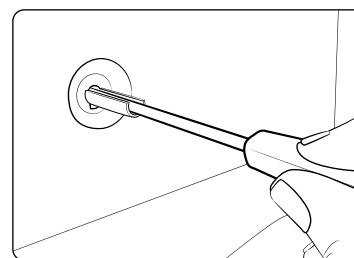
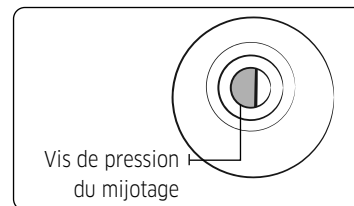
Étape 14. vérification finale de l'installation

L'installation de votre cuisinière est à présent terminée. Assurez-vous que toutes les commandes sont sur la position **OFF (ARRÊT)** et que la circulation d'air de la ventilation n'est pas obstruée. Ci-dessous une liste de contrôle permettant de confirmer que votre cuisinière est correctement installée et prête à l'emploi.

- Le tuyau de gaz a correctement été branché sur la cuisinière. Le gaz a été allumé. Toutes les connexions ont été vérifiées afin de repérer les fuites de gaz.
- La cuisinière est correctement branchée sur la prise électrique reliée à la terre.
- Le dispositif anti-basculement approprié est correctement installé et fixé sur la cuisinière.
- La cuisinière a été mise à niveau et elle est correctement placée sur un sol solide et plan.
- Toutes les connexions ont été vérifiées afin de garantir un bon fonctionnement.

Ajuster le réglage de la flamme faible

Identifiez quel brûleur présente une flamme de mijotage trop haute ou trop faible, et ajustez selon les besoins en respectant les étapes suivantes :



1. Faites tourner un bouton sur la position « **LO (FAIBLE)** » et retirez le bouton de l'axe de la vanne tant que la flamme est allumée.
2. Insérez délicatement le tournevis dans la tige de la vanne, jusqu'à ce qu'il soit dans la vis de pression du mijotage. Assurez-vous que la tête plate du tournevis soit bien positionnée dans la rainure de la vis de pression.
3. Faites tourner la vis de pression de la vanne dans le sens horaire pour réduire le réglage « **LO (FAIBLE)** » de la puissance de la flamme, ou faites tourner la vis de pression dans le sens antihoraire pour augmenter le réglage « **LO (FAIBLE)** » de la puissance de la flamme.

⚠ AVERTISSEMENT

1. Ne retirez pas complètement la vis de pression de la vanne au niveau de la tige de vanne. La vis de pression de la vanne fait partie intégrante de l'ensemble de vanne de gaz. Si vous retirez la vis de pression de la vanne, vous provoquerez une fuite de gaz.
2. Après avoir réglé la vis de pression de la vanne, inspectez l'ensemble à la recherche d'éventuelles fuites de gaz.

Notes



DC68-01106G-00

Dacor • 14425 Clark Avenue, City of Industry, CA 91745 • Téléphone : 833-353-5483 (États-Unis), 844-509-4659 (Canada) • www.dacor.com