

dacor

User Manual

Contemporary Style Pro Range

DOP48C96D**



DG68-01508A-00

⚠ WARNING

Never Operate the Top Surface Cooking Section of this Appliance Unattended

- Failure to follow this warning statement could result in fire, explosion, or burn hazard that could cause property damage, personal injury, or death.
- If a fire should occur, keep away from the appliance and immediately call your fire department.

DO NOT ATTEMPT TO EXTINGUISH AN OIL / GREASE FIRE WITH WATER.

WARNING : If the information in this manual is not followed exactly, a fire or explosion may result causing property damage, personal injury or death.

- **DO NOT** store or use gasoline or other flammable vapors and liquids in the vicinity of this or any other appliance.
- **WHAT TO DO IF YOU SMELL GAS**
 - **DO NOT** try to light any appliance.
 - **DO NOT** touch any electrical switch.
 - **DO NOT** use any phone in your building.
 - Immediately call your gas supplier from a neighbor's phone. Follow the gas supplier's instructions.
 - If you cannot reach your gas supplier, call the fire department.
- Installation and service must be performed by a qualified installer, service agency or the gas supplier.

ANTI-TIP DEVICE

WARNING

To reduce the risk of tipping the range, the range must be secured by a properly installed Anti-Tip device. **AFTER THE RANGE HAS BEEN INSTALLED, CONFIRM THAT THE ANTI-TIP DEVICE HAS BEEN PROPERLY INSTALLED AND VERIFY THAT THE ANTI-TIP DEVICE IS PROPERLY ENGAGED.** Refer to the installation manual for instructions.

- a) If the anti-tip device is not installed, a child or adult can tip the range and be killed.
- b) Verify the anti-tip device has been properly installed and engaged at the rear right (or rear left) of the range bottom.
- c) If you move the range and then move it back into place, ensure the anti-tip device is re-engaged at the right or left rear of the range bottom.
- d) Do not operate the range without the anti-tip device in place and engaged. Failure to do so can result in death or serious burns to children or adults.



WARNING

Do not step, lean, or sit on the oven door of the range. You can cause the range to tip, resulting in burns or serious injuries.

Confirm that the Anti-Tip device is installed properly. Then, to verify that the Anti-Tip device is engaged, grasp the top rear edge of the range and carefully attempt to tilt it forward. The Anti-Tip device should prevent the range from tilting forward more than a few inches.

If you pull the range out from the wall for any reason, make sure the anti-tip device is properly engaged when you push the range back against the wall. If it is not, there is a risk of the range tipping over and causing injury if you or a child stand, sit or lean on an open door.

Never completely remove the leveling legs. If you remove the leveling legs, the range will not be secured to the anti-tip device properly.

Regulatory Notice

1. Radio Apparatus Notice

CAUTION

Any changes or modifications not expressly approved by the party responsible for compliance could void the user's authority to operate the equipment.

The remote enable equipment installed on this product complies with Part 15 of FCC Rules and Innovation, Science and Economic Development Canada's license-exempt RSS(s). Operation is Subject to following two conditions:

- 1)** This equipment may not cause harmful interference, and
- 2)** This equipment must accept any interference received including interference that cause undesired operation.

For products available in the US/Canadian markets, only channels 1~11 are available. You cannot select any other channels.

1. Radio Apparatus STATEMENT:

This equipment has been tested and found to comply within the limits for a Class B digital device, pursuant to part 15 of the FCC Rules and Canadian ICES-003. These limits are designed to provide reasonable protection against harmful interference in a residential installation. This equipment generates, uses, and can radiate radio frequency energy and, if not installed and used in accordance with the instructions, may cause harmful interference to radio communications. However, there is no guarantee that interference will not occur in a particular installation. If this equipment does cause harmful interference to radio or television reception, which can be determined by turning the equipment off and on, the user is encouraged to try to correct the interference by one or more of the following measures:

-
- Reorienting or relocating the receiving antenna
 - Increasing the separation between the equipment and receiver
 - Connecting the equipment to an outlet that is on a different circuit than the radio or TV
 - Consulting the dealer or an experienced radio/TV technician for help.

RADIATION EXPOSURE STATEMENT:

This equipment complies with FCC and IC RSS-102 radiation exposure limits set forth for an uncontrolled environment. This equipment should be installed and operated so there is at least 8 inches (20 cm) between the radiator and your body. This device and its antenna(s) must not be co-located or operated in conjunction with any other antenna or transmitter.



To Our Valued Customer:

Congratulations on your purchase of the very latest in Dacor products! Our unique combination of features, style and performance make us a great addition to your home.

In order to familiarize yourself with the controls, functions and full potential of your new Dacor Appliance, read this use and care manual thoroughly, beginning with the **Before you begin** section.

All Dacor appliances are designed and manufactured with quality and pride, while working within the framework of our company value. Should you ever experience a problem with your product, please first check the Troubleshooting section of this manual for guidance. It provides useful suggestions and remedies prior to calling for service.

Valuable customer input helps us to continuously improve our products and services, so please feel free to contact our Customer Service Team for assistance with any of your product support needs.

Dacor Customer Assurance

- **USA**
Samsung Electronics America, Inc.
85 Challenger Road
Ridgefield Park, NJ 07660
- **Canada**
Samsung Electronics Canada Inc.
2050 Derry Road West, Mississauga,
Ontario L5N 0B9 Canada

Telephone: 833-353-5483(USA), 844-509-4659(Canada)

Hours of Operation: Mon - Fri, 8:00 a.m. to 8:00 p.m. Pacific Time

Website: www.dacor.com

Thank you for choosing Dacor for your home. We are a company built by families for families, and we are dedicated to serving yours. We are confident that your new Dacor product will deliver a high level of performance and enjoyment for many years to come.

Sincerely,

The Dacor Customer Service Team

Contents

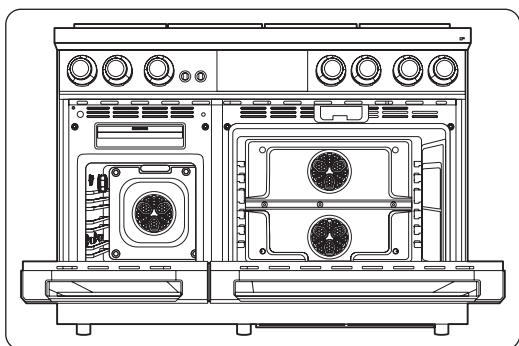
Before You Begin	9
Important Notes to the Owner	9
Energy-Saving Tips	9
Using the Water Reservoir	9
About the Oven Vent	11
Important Safety Instructions	12
Read all instructions before using this appliance	12
Symbols used in this manual	12
California Proposition 65 Warning	13
Commonwealth of Massachusetts	13
General safety	13
Fire safety	14
Gas safety	15
Electrical and grounding safety	16
Installation safety	17
Location safety	18
Cooktop safety	19
Oven safety	21
Self-cleaning oven safety	21
Overview	22
External Features	22
Control Panel	23
Display	24
What is Included	25
Using the Cooktop	26
About the Burners	26
About Burner Ignition	27
Using the Proper Cookware	28
Special Cooktop Features	29
About the Grates	29
Griddle (Electric)	30
Griddle (Additional purchase Accessories)	32
About the Wok Ring	34
Using the Basic Oven	35
Basic Settings: Clock, Date&Time, Language	35
Using the Oven Racks	36
Using the Gliding Rack	37
Using the Temp Probe	39
About Oven Functions	41
Setting the Cooking Mode	46
Setting the Cooking Temperature	46

Contents

Basic Baking and Broiling Instructions	47
Using the Kitchen Timer	49
Using Timed Cooking	51
Using Delay Start	52
Using the Cleaning Features	53
Using the Sabbath Feature	60
Using the Special Functions	62
Using Chef Mode	65
Using iQ Control	67
Starting the Oven Remotely	67
Using Control Lockout	68
Using Settings	68
Using the Steam Oven	72
Using the Oven Racks	72
About Oven Functions	72
Basic Baking and Broiling Instructions	77
Using the Special Functions	80
Cooktop Maintenance	81
Cleaning the Cooktop Surface	81
Cleaning Stainless-Steel Surfaces	81
Cleaning the Control Knobs	82
Disassembling / Assembling the Burners and Grates	82
About Burner Caps and Heads	83
About Burner Bases	83
About Electrodes	84
About the Grates and Wok Ring	84
Assembling the Burner Caps and Heads	85
Oven Maintenance	87
Oven Care and Cleaning	87
Removing/Re-installing the Oven Door	92
Changing the Oven Light	93
Troubleshooting	94
Warranty and Service	99
Warranty	99
Appendix	101
Question	101
Model name & serial number	101
Open Source Announcement	102

Before You Begin

Important Notes to the Owner



Installer

- For best results, read this manual thoroughly before starting the installation.
- Leave this manual with the user.
- Write the range's model/serial numbers in this manual for service/maintenance use.

User

- Keep this manual for personal/professional use.

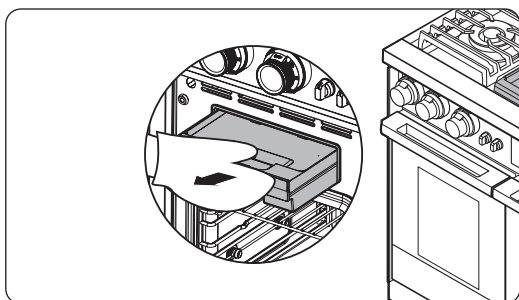
Clean the oven fully before its first use. Then, ventilate the kitchen well, remove the accessories, and set the oven to Bake at 400 °F for 1 hour. There will be a distinct odor. This is normal.

Energy-Saving Tips

- During cooking, the oven door should be closed except when you turn food. Leaving the door closed also maintains oven temperature, which saves energy.
- If cooking longer than 30 minutes, you can switch the oven off 5-10 minutes before the cooking is done. The residual heat finishes cooking the food.
- Plan oven use to avoid turning the oven off between cooking tasks.
- When possible, cook multiple items simultaneously.

Using the Water Reservoir

This feature is used with steam functions: Steam Bake, Steam Roast, GreenClean™, Steam, etc. It is also used for removing water scale from the oven walls, especially after using steam functions. Fill it with water before use.



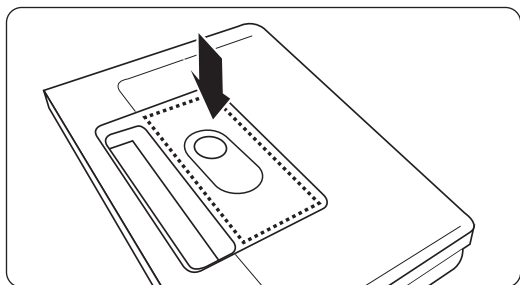
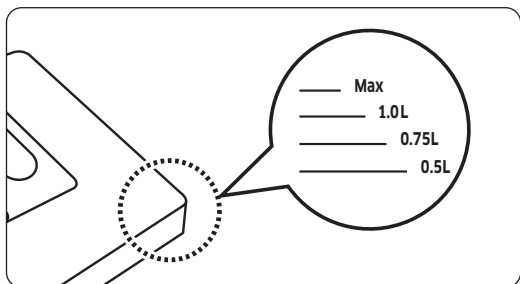
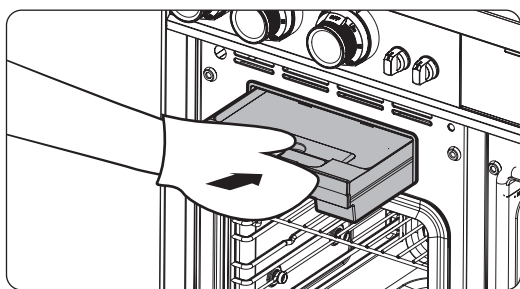
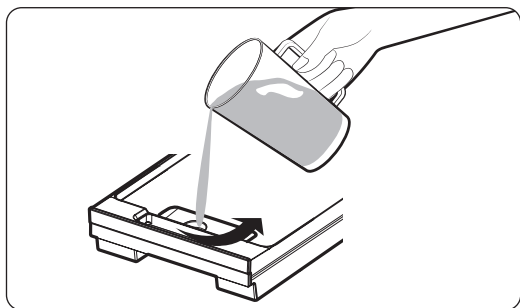
1. Pull the water reservoir out.

48" range: the reservoir is on the left side, above the oven. To remove this reservoir, grasp the handle, and pull.

NOTE

- The reservoir may be hot from oven use. If so, grasp the reservoir with an oven mitt.
- The reservoir can be fully removed from the range. Check the water level, and add water as needed. You may add water without removing the reservoir completely.

Before You Begin



2. Open the reservoir cap, and then fill the reservoir with tap water.

NOTE

You can open the reservoir by removing the rubber cap or by removing the clear plastic top. To avoid spilling water, filling water through the hole after removing rubber cap is recommended.

3. Replace the cap or the clear plastic.
4. 48" range: Push the reservoir fully into the opening;

CAUTION

The reservoir and slot heat up during cooking. Wear oven mitts to handle the reservoir during and right after cooking.

5. Close the oven door.

NOTE

Do not exceed the max line. Maximum reservoir capacity by model:

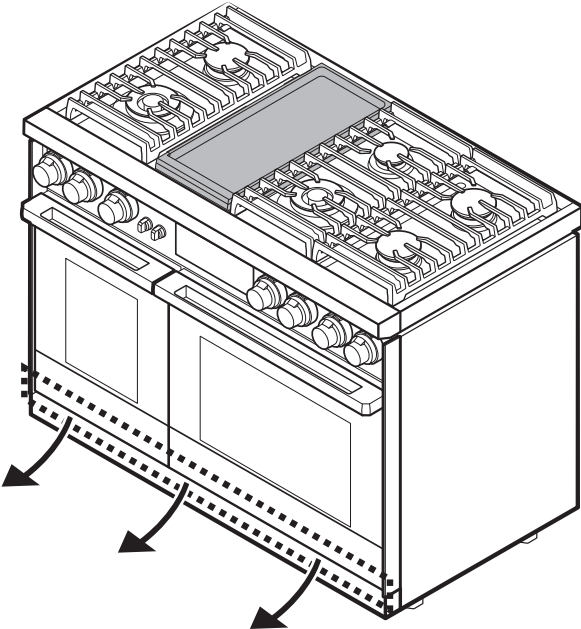
- DOP48C96D**: 1500 ml

NOTE

Close the cap and upper portion of the water reservoir before using the oven.

About the Oven Vent

The oven vent is under the oven door. Proper air circulation prevents burner combustion problems and ensures good performance. Do not block the vent or surrounding area. Be cautious near the vent. Steam can burn skin and melt certain items.



Important Safety Instructions

Read all instructions before using this appliance

- All electrical and gas equipment with moving parts can be dangerous. Be sure to read the Important Safety Information in this manual. The instructions must be followed to minimize the risk of property damage, injury, or death.
- Keep this manual in a handy place so you can refer to it as needed.

Symbols used in this manual

WARNING

Hazards or unsafe practices that may result in severe personal injury or death.

CAUTION

Hazards or unsafe practices that may result in electric shock, personal injury, or property damage.

NOTE

Useful tips and instructions

These warning symbols are intended to prevent property damage and personal injury. Follow them explicitly.

California Proposition 65 Warning

WARNING

Cancer and Reproductive Harm - www.P65Warnings.ca.gov

Commonwealth of Massachusetts

This product must be installed by a licensed plumber or gas fitter qualified or licensed by the State of Massachusetts. When using ball-type gas shut-off valves, you must use the T-handle type. Multiple flexible gas lines must not be connected in series.

General safety

WARNING

To reduce the risk of fire, electric shock, personal injuries, and/or death, observe the following precautions.

- **Do not touch** any surface, component, or mechanism of the range during or immediately after cooking.
- **Learn** where and how to shut off the valve that feeds gas to the range.
- **Make sure** the **anti-tip device** is properly installed on the range. See the installation instructions for more information.
- **Do not let children near** the range. Do not let children go into the range or onto the range. Do not let children play with the range or any part(s) of the range. Do not leave children unattended in the kitchen when the range is in use. For children's safety, we recommend utilizing the control/door lockout feature.
- **Remove** all packaging before operating the range to keep this material from catching fire. Keep all packaging away from children. Properly dispose of packaging as soon as the range is unpacked.
- **Do not keep** objects of interest to children on or around the range.
- **Do not operate** the range if it is damaged in any way, if it malfunctions, or is missing parts.
- **Do not use** the range as a space heater. Use the range for cooking only.
- **Do not use** oven cleaners or oven liners in or around any part of the oven.
- **Use** only dry pot holders.
- **Do not use** the range to heat sealed food containers.
- **Do not strike** the oven glass.

Important safety instructions

- When disposing of the range, **cut off** the power cord and **remove** the door to prevent children and animals from getting trapped.
- **Unplug** the range before service/maintenance.
- **Make sure** all meat and poultry is cooked thoroughly. Meat should always be cooked to an internal temperature of 160 °F (71 °C). Poultry should always be cooked to an internal temperature of 180 °F (82 °C).
- Do not make any attempt to operate the electric ignition range burners during an electrical power failure.
- Keep the appliance area clear of combustible materials, gasoline, and other flammable vapors and liquids.
- **Teach** children not to touch or play with the controls or any part of the range. We recommend you utilize the control / door lockout feature to reduce the risk of misuse by children.
- An air curtain or other overhead range hood, which operates by blowing a downward airflow onto a range, shall not be used in conjunction with a gas range unless the hood and range have been designed and tested in accordance with the Standard for Domestic Gas Ranges, ANSI Z21.1 • CSA1.1, and listed by an independent testing laboratory for combination use.

Fire safety

WARNING

To reduce the risk of fire, electric shock, personal injury, or death, observe these precautions:

- **Do not store/place/use** combustible materials (e.g., paper, plastic, pot holders, linens, gasoline, alcohol) near the range.
- **Do not wear** loose fitting or hanging garments while using the range.
- To avoid grease buildup, **regularly clean** the vents.
- **Do not let** pot holders or other flammable materials touch a heating element. Do not use a towel or other bulky cloth in place of a pot holder.
- **Do not douse** a grease fire with water. Instead, turn off the heat source, and smother the fire with a tight-fitting lid, or use a multi-purpose, dry-chemical or foam extinguisher.
- **Do not heat** unopened food containers. The buildup of pressure may cause the containers to burst and result in injury.
- Do not use the oven for storage. Paper and other flammable items stored in the oven can ignite.
- **Do not put** any combustible material or items around the range.

Gas safety

WARNING

To reduce the risk of fire, electric shock, personal injury, or death, observe these precautions:

If you smell gas:

- Close the valve and do not use the range.
- Do not light a match, candle, or cigarette.
- Do not turn on any gas or electric appliances.
- Do not touch any electrical switches or plug in a power cord.
- Do not use any phone in your building.
- Evacuate everyone from the building.
- Immediately call your gas supplier from a neighbor's phone. Follow the gas supplier's instructions.
- If you cannot reach your gas supplier, call the fire department.

Checking for gas leaks

Leak-testing the appliance must be done according to the manufacturer's instructions. Do not use a flame to check for gas leaks. Use a brush to spread a soap-and-water solution around the area you are checking. If there is a gas leak, small bubbles will appear in the solution. When not sure, call for professional help.

Important safety instructions

Electrical and grounding safety

WARNING

To reduce the risk of fire, electric shock, personal injury, or death, observe these precautions:

- Plug the range into a grounded 3-prong outlet.
- **Do not remove** the grounding prong.
- **Do not use** an adapter or an extension cord.
- **Do not use** a damaged power plug, power cord, or loose power outlet.
- **Do not modify** the power plug, cord, or outlet.
- **Do not put** a fuse in a neutral or ground circuit.
- Use a dedicated 240 Vac, 60-Hz, 50-Amp breaker for this Range. A time-delay fuse or circuit breaker is recommended. Do not plug more than one appliance into this circuit.
- **Do not connect** the ground wire to plastic plumbing lines, gas lines, or hot water pipes.
- This range **must be Earth grounded**. If the range malfunctions or breaks down, grounding reduces the risk of electric shock by providing a safe path for the current. This range's power cord has a grounding plug, which must be firmly plugged into an outlet that is properly installed and grounded according to local regulations. If you are not sure your electrical outlet is properly grounded, have it checked by a licensed electrician.
- The range is supplied with a 4-pronged grounded plug. This cord must be plugged into a mating, grounded 4-prong outlet that meets all local codes and ordinances. If codes permit the use of a separate ground wire, we recommend that a qualified electrician determine the proper path for this ground wire.
- Electrical service to the range must conform to local codes. Barring local codes, it should meet the latest ANSI/NFPA No. 70 - Latest Revision (for the U.S.) or the Canadian Electrical Code CSA C22.1 - Latest Revisions.
- The range owner shall ensure that the proper electrical service is provided for the range.

Installation safety

WARNING

To reduce the risk of fire, electric shock, personal injury, or death, observe these precautions:

- The appliance should be installed and properly grounded by a qualified installer, as specified in the Installation Instructions. Adjustments and service should be performed only by qualified installer or service technician.
- **Do not try** to service/modify/replace the appliance or any part of it unless specifically recommended in this manual. All other service should be performed by a qualified technician.
- Use only new, flexible connectors when installing the appliance.
- Due to the size and weight of the appliance, have **two or more people** move the appliance.
- **Remove** all tape and packaging materials.
- After unpacking the appliance, remove all accessories from inside and around it. (Cautiously handle the heavy grates and griddles.)
- **Make sure** no parts came loose during shipping.
- **Make sure** your rangetop is correctly installed / adjusted by a qualified service technician or installer for the type of gas (natural or LP) you will use.
- Installation of this appliance must conform with local codes or, in the absence of local codes, with the National Fuel Gas Code, ANSI Z223.1/NFPA.54, latest edition. In Canada, installation must conform with the current Natural Gas Installation Code, CAN/CGA-B149.1, or the current Propane Installation Code, CAN/CGA-B149.2, and with local codes where applicable. This rangetop has been design-certified by ETL according to ANSI Z21.1, latest edition, and Canadian Gas Association according to CAN/CGA-1.1, latest edition.

Important safety instructions

Location safety

WARNING

To reduce the risk of fire, electric shock, personal injuries, and/or death, observe the following precautions.

- This range is for indoor, household use only. **Do not install** the range outdoors or anywhere that it will be exposed to weather/water or wind/strong drafts.
- Select a level, well-constructed floor that can support the range's weight. Synthetic flooring, such as linoleum, must withstand 180 °F (82 °C) temperatures without shrinking, warping, or discoloring. **Do not install** the range directly over interior kitchen carpeting unless a sheet of ¼ inch plywood or a similar insulator is placed between the range and carpeting.
- For the range to ventilate properly, make sure the range's vents are not blocked or covered, and that there is enough clearance at the top, back, sides, and underneath the range. The vents allow the necessary exhaust for the range to operate properly with correct combustion and get the good cooking result. Blocking or covering the vents may cause incorrect combustion which could result in gas leaks and fire.
- **Make sure** the wall coverings around the range can withstand heat up to 200 °F (93 °C) generated by the range.
- Cabinet storage above the surface of the range should be avoided. If cabinet storage above the range is necessary, allow a minimum clearance of 30 inches (76.2 cm) between the cooking surface and the bottom of the cabinets or install a range hood that projects horizontally a minimum of 5 inches (12.7 cm) beyond the bottom of the cabinets.
- **Locate** the range out of kitchen traffic paths and drafty locations to prevent poor air circulation.
- If the range is located near a window, **NEVER** hang long curtains or paper blinds on that window. They could blow over the surface burners and ignite, causing a fire hazard.

Cooktop safety

WARNING

To reduce the risk of fire, electric shock, personal injury, or death, observe these precautions:

- **Make sure** all burners are off when not in use.
- **Do not use** aluminium foil to line the grates or any part of the cooktop. This can cause carbon monoxide poisoning. Aluminum foil linings may also trap heat, causing a fire hazard. **Do not leave** burners unattended on medium or high heat settings.
- Before igniting, make sure all burner caps are properly in place and all burners are level.
- **Always use** the flame symbol position when igniting the burners and make sure the burners have ignited. If ignition fails, turn the knob to **OFF** and wait for the gas to dissipate before re-igniting the burner.
- When you set a burner to simmer, **do not turn** the knob quickly. Make sure the flame stays on.
- To heat food, you must have a ventilation hood. When you heat food, the hood must be on.
- Before removing or changing cookware, turn off the burners.
- Remove food and cookware immediately after cooking.
- Before removing any parts of the burner for cleaning, make sure the range is off and completely cool.
- After cleaning the burner ring, make sure it is completely dry before re-assembling.
- **Make sure** the spark mark on the dual burner ring is placed beside the electrode when it is assembled.
- To avoid carbon monoxide poisoning, **do not pour** water into the cooktop well while cleaning.
- Select cookware that is designed for cooktop cooking. Use recommended cookware no larger than the cooktop grates.
- To avoid cookware discoloration, deformity, and/or carbon monoxide poisoning, do not use cookware that is substantially larger than the grate.
- Make sure cookware handles are turned to the side or rear of the cooktop, but not over other surface burners or the front edge of the cooktop.
- Do not stand directly over a pot while frying food.
- Always heat frying oils slowly, and watch as they heat. If you are frying foods at high heat, carefully monitor the cooking process. If you are going to combine fats or oils when frying, mix them before heating.
- Use a deep-fry thermometer when possible so you do not heat the oil beyond its smoke point.

Important safety instructions

- Use a minimum amount of oil when shallow pan-frying or deep-frying. Do not fry frozen, icy, cold, or wet food.
- Before moving cookware full of fats or oils, make sure it has completely cooled.
- To prevent delayed eruptive boiling, always allow heated liquids to stand at least 20 seconds after you have turned off the burner so that the temperature in the liquid can stabilize. In the event of scalding, follow these first-aid instructions:
 - Immerse the scalded area in cool water for at least 10 minutes.
 - Do not apply any creams, oils, or lotions.
 - Cover with a clean, dry cloth.
- Place pots in the center of the grate. Do not place a pot larger than 9" in diameter on the rear burners. If you place an oversized pot in the wrong position, it might disrupt necessary air circulation and make the flame on the burner sputter and burn inefficiently.
- **Do not wear** loose or hanging garments when using the range. They could ignite and burn you if they touch a surface burner.
- **Never leave** plastic items on the cooktop. Hot air from the vent can melt or ignite plastic items or cause build up of dangerous pressure in closed plastic containers. The melted plastic may clog the vents at the rear of the range. Clogged vents may cause incorrect combustion which could result in gas leaks and fire. You may get severe burns if you touch the surfaces near the vent while the oven is operating.
- **Do not place** portable appliances, or any other object other than cookware on the cooktop. Damage or fire could occur if the cooktop is hot.
- **Always make sure** the controls are **OFF** and the grates are cool before you remove them to prevent any possibility of being burned.
- **Do not put** any combustible material or items around the range.
- **Do not touch** the burners when they are on. Turn off the burners when you change a pan or pot.

Oven safety

WARNING

To reduce the risk of fire, electric shock, personal injuries, and/or death, observe the following precautions.

- **Do not use** the oven for non-cooking purposes such as drying clothes or storage. Use the oven for cooking only.
- **Make sure** the oven racks are placed on the same level on each side.
- **Do not damage, remove, or clean** the door gasket.
- **Do not spray** water on the oven glass while the oven is on or just after you have turned it off.
- Stand aside when opening the oven door.
- Keep the oven free from grease buildup.
- When repositioning the oven racks, **make sure** the oven is completely cool.
- **Do not** put plastic items inside the oven.
- To avoid damaging the burner control knobs or oven control, always bake and/or broil with the oven door closed.
- **Do not** place meat too close to the broil element. Trim excess fat before broiling.
- When using cooking or roasting bags in the oven, follow the manufacturer's directions.
- **NEVER cover** any slots, holes, or passages in the oven bottom or cover an entire rack with material such as aluminum foil. Doing so blocks air flow through the oven and may cause carbon monoxide poisoning. Aluminum foil linings may also trap heat, causing a fire hazard.

Self-cleaning oven safety

WARNING

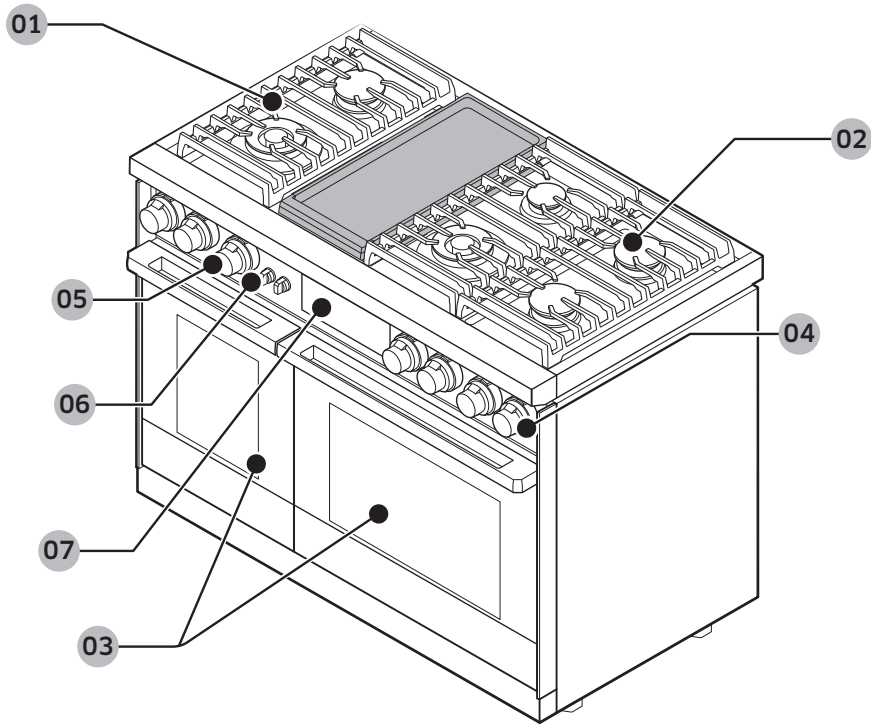
To reduce the risk of fire, electric shock, personal injuries, and/or death, observe the following precautions.

- The self-cleaning feature operates the oven at temperatures high enough to burn away food soils in the oven. The range is extremely hot during a self-cleaning cycle. **Do not touch** any surfaces of the range during a self-cleaning cycle.
- Keep children away from the oven during a self-cleaning cycle.
- Before starting a self-cleaning cycle, remove all loose items from the oven, and wipe down all oven surfaces.
- After a self-cleaning cycle, stand aside when opening the oven door.
- If the self-cleaning cycle malfunctions, turn off the oven, turn off the power breaker, and contact a qualified service technician.
- Some birds are extremely sensitive to the fumes given off during the self-cleaning cycle of any oven. Move birds to another well-ventilated room.

Overview

External Features

Overview

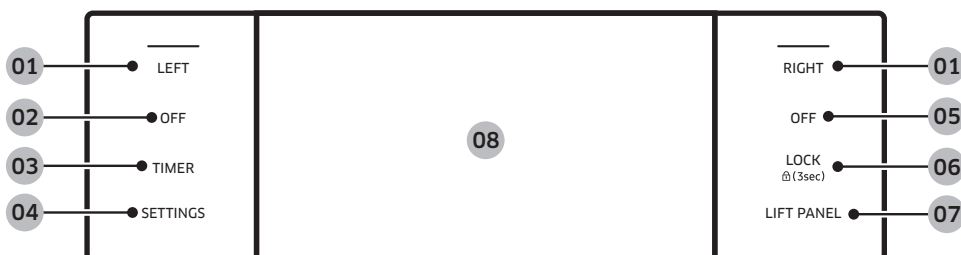


DOP48C96D**

- 01 Grate
- 02 Surface burners
- 03 Removable oven door
- 04 Surface burner knobs (6)
- 05 Griddle knob
- 06 Knob (Manual oven lighting)
- 07 Control panel

Control Panel

Tap the display with clean, bare fingers. Oven mitts and wet or dirty fingers block the electronic transfer between finger and panel.

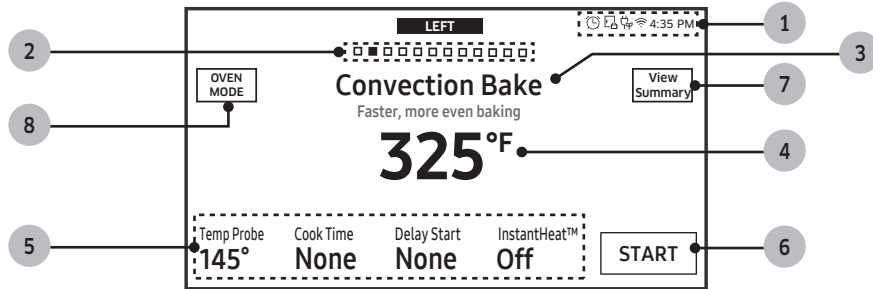


- 01 **LEFT, RIGHT:** Displays left/right oven mode. Shows status; does not turn ovens on/off.
- 02 **OFF:** Cancels cooking in the respective oven.
- 03 **TIMER:** Displays the Timer screen.
- 04 **SETTINGS:** Displays the Settings screen.
- 05 **OFF:** Cancels cooking in right oven.
- 06 **LOCK:** Press-hold for 3 seconds to disable all oven functions.
- 07 **LIFT PANEL:** Touch to tilt or flatten the panel.
- 08 **Display:** Swipe to navigate menus; tap to select a setting.

Overview

Display

The display shown is for reference only and may differ somewhat from the actual display.



1. Indicator area

- **Timer** (🕒): When set, the Timer indicator appears. If 3 or more timers are set, the number of set timers appears.
- **Door lock** (🔒): Appears when the oven door is locked.
- **Wi-Fi** (📶): Shows Wi-Fi signal strength in 4 levels. When Wi-Fi is disconnected, appears 📶.
- **12-hour energy saving** (🌙): Appears if 12-hour energy saving is on.
- **Current time**: Shows the current time.

2. **Page indicator**: Shows the location (by page number) of the current mode.

3. **Mode**: The current/selected menu appears with a mode description.

4. **Temperature**: The current/selected temp appears; tap to display the Temp Adjustment screen.

5. Information area

- **Temp Probe**: The probe's set temperature appears; tap to show the Temp Probe screen.
- **Cook Time**: Shows the remaining cook time; tap to show the Cook Time screen.
- **Delay Start**: Shows the Delay Start time; tap to show the Delay Start screen.
- **InstantHeat™**: Shows that this feature is **on/off**; appears in Convection Bake or Convection Roast mode.
- **Steam**: Shows the steam level; tap to show the Steam Level screen; appears in Steam Bake and Steam Roast modes.

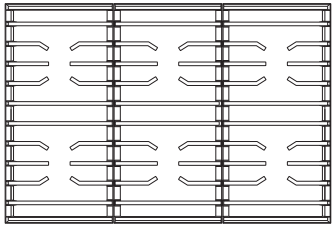
6. **START**: Tap to start the oven using the chosen setting.

7. **View Summary**: Tap to show cooking modes of left and right oven.

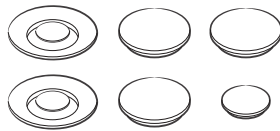
8. **OVEN MODE**: Tap to display mode select menu.

What is Included

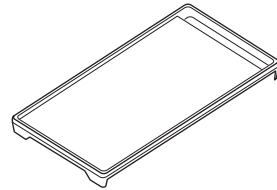
The range comes with brass and porcelain burner caps to suit customer preference. (The brass caps will discolor with use; however, the discoloration does not affect the caps' intended function.)



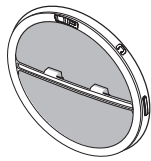
Grates (3)



Burner heads (6)
and Burner caps (8)



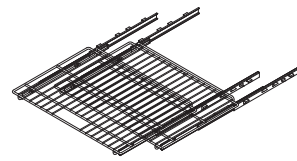
Griddle (1)



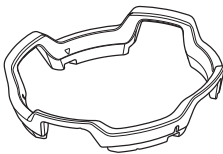
Convection filters (3)



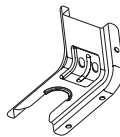
Temp. Probes (2)



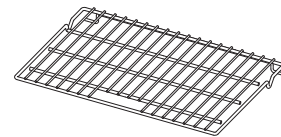
Glide racks (2)



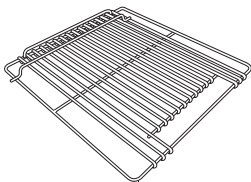
Wok ring (1)



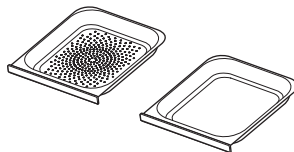
Anti-tip bracket (1)



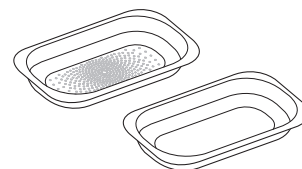
Wire rack (1)



Small rack (1)*



Steam trays (2)*



Half steam trays (2)*

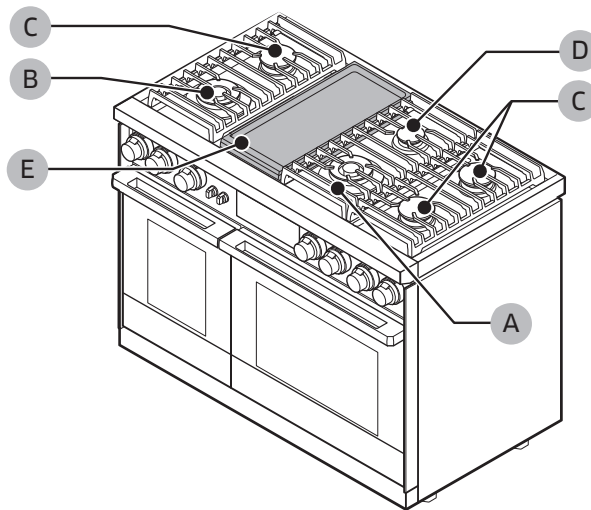
*Steam oven only

Using the Cooktop

About the Burners

The range has four types of burners. (See below for heat output and location.) The range generates a spark to light the burner when you turn the knob to HI. Gaskets under the burners keep spilled liquids from leaking into internal parts.

DOP48C96D**



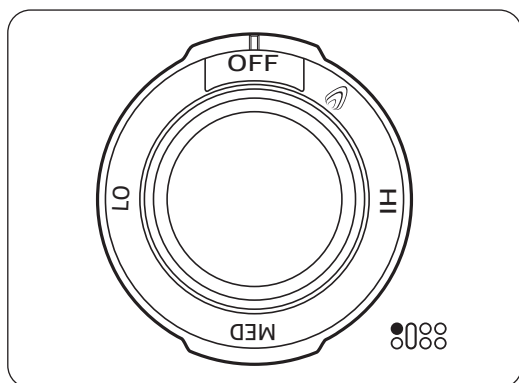
A	22K Dual burner	D	9K Stack dual burner
B	18K Dual burner	E	1.4KW Electric griddle
C	16K Stack dual burner		

Each burner is designed for specific cooking purpose as below table.

Burner	Position	Purpose	Food type
Dual burner	Center Front (CF)	Power heating/ Low simmering	Boiling food, Tomato sauce
	Left Front (LF)	Quick heating/ Low simmering	General-purpose cooking
Stack dual burner	Left Rear (LR), Right Front (RF), Right Rear (RR), Center Rear (CR)	General heating/ Low simmering	General food, Casseroles
Electric griddle 1.4 kW	Center	Provide extra cooking surface	Meat, Pancakes, Bacon, Eggs

About Burner Ignition

Each knob has an associated burner, the location of which appears next to the knob.



To light a burner:

1. Push in the knob, and turn it counterclockwise to the flame symbol. The igniter sparks and clicks until the burner lights (about 4 seconds).
2. Place the cookware on the grate.
3. Adjust the flame as needed for proper cooking.

NOTE

- The flame should burn evenly around the burner, except below each grate support, where flame height is reduced by Dacor's Smart Flame feature. A normal flame is steady and blue. Foreign matter in the gas line, especially in new construction, may cause an orange color that disappears with use. Yellow-tipped flames are normal for LP gas. If a burner does not ignite, or the igniter keeps sparking, or the flame is uneven, see **Troubleshooting**, Pg. 94.
- The igniter sparks if the flame is affected by a draft or home ventilation. Eliminate drafts, and reduce the ventilation blower speed to minimize this condition.
- If no spark is produced, verify that electricity is available. If there is a power failure, see **Manual Ignition** (below).
- Food cooks as quickly at a gentle boil as it does at a rolling boil, which wastes energy and cooks moisture, flavor, and nutrients out of food.
- Use a low/medium flame for cookware that conducts heat poorly (e.g., glass, ceramic, cast iron). Lower the flame until it covers about 1/3 of the cookware diameter to ensure even heating and minimize scorching.

Manual Ignition

During a power failure, you can ignite the burner manually. Use caution when doing this.

1. Hold a long gas grill lighter to the surface burner you want to light.
2. Push in the control knob for that burner, and then turn it to the flame symbol position. Turn on the grill lighter to ignite the burner.
3. After the burner is lit, turn the control knob to adjust the flame level.

Using the Cooktop

Using the Proper Cookware

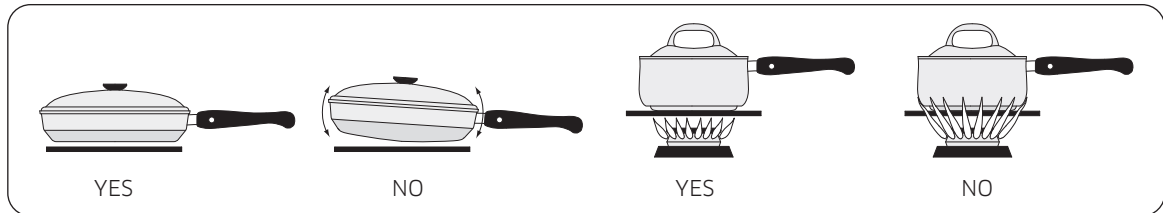
⚠ WARNING

- Cookware with rough bottoms can permanently damage the coated surfaces.
- To avoid burns and scalding, turn handles away from the front of the range and adjacent burners. Always center cookware on the grates for best balance.
- Always lift to reposition cookware. Do not drop cookware on a grate.
- To avoid burns or fire, keep the flame beneath the cookware.
- Verify that glass cookware is designed for cooktop use.
- Never leave plastic items on the cooktop or in front of the range. Flames or hot air in these areas can melt/ignite/explode such items.
- Hold a wok or small pot by its handle while cooking.

For overall safety and best performance, select cookware suitable for the task so food cooks evenly and efficiently.

Use cookware that:

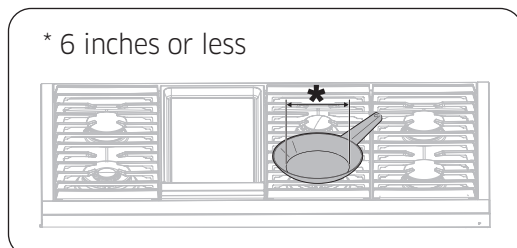
- has flat, smooth bottoms
- has tight-fitting lids to keep heat, odors, and steam in
- well-balanced with the handle weighing less than the main portion of the pot or pan.



Material Characteristics

- Aluminum: Excellent heat conductor. Some food may darken the aluminum. (Anodized aluminum resists staining and pitting.)
- Copper: Excellent heat conductor; discolors easily.
- Stainless steel: Slow heat conductor; cooks unevenly; durable, easy to clean, resists staining.
- Cast Iron: Poor conductor; retains heat very well.
- Enamelware: Heating traits depend on base material.
- Glass: Slow heat conductor; must be designed for cooktop or oven use.

Size limitations



⚠ WARNING

To avoid tipping and personal injury, do not place a pan/pot with bottom diameter of 6" or less on the large burner. Use the rear burners for this size of cookware.

Special Cooktop Features

Perma-Flame™

The Perma-Flame instant re-ignition feature automatically re-lights a burner quickly if it goes out. With Perma-Flame, your cooking experience is uninterrupted because the flame is re-ignited at the same level as when it went out.

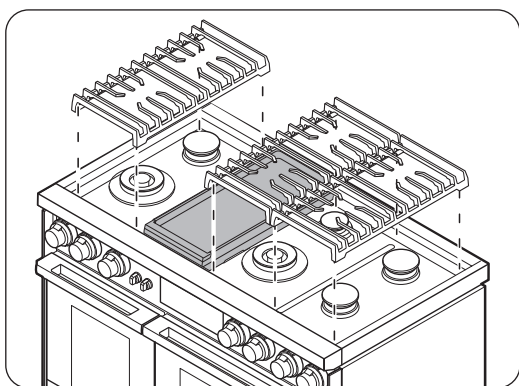
Smart Flame™

Smart Flame technology reduces the temperature under the fingers of the porcelain-coated cast iron grates. Smart-Flame extends grate life and protects the finish.

SimmerSear™

Dacor's exclusive precision burner control system. It allows you to cook with a wide range of heat settings, from simmer to sear.

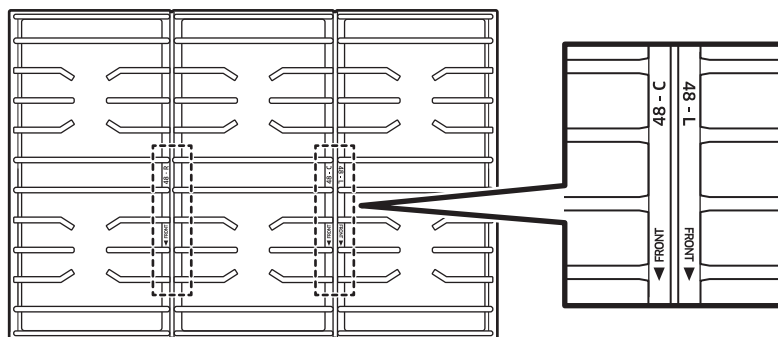
About the Grates



Check the underside of each grate for their proper position, then place the grates so their feet rest in the corresponding dimples. (Handle the heavy grates with care.)

NOTE

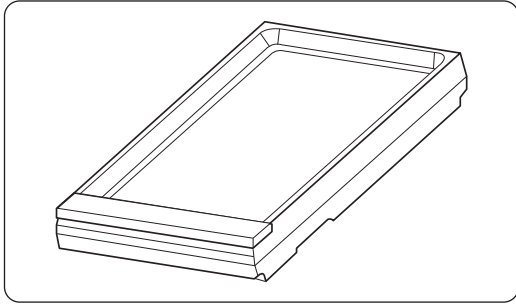
Before installing grates, please check the words under the grates. The words inform you where the front side is and the proper position of grate, right, center or left.



Using the Cooktop

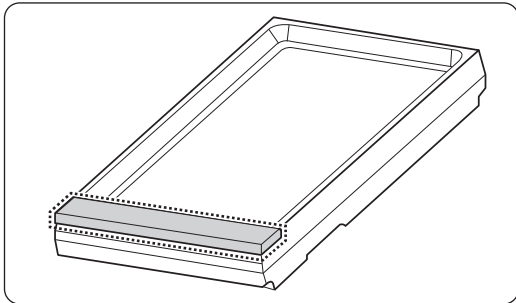
Griddle (Electric)

For best results, allow the griddle to preheat on HIGH for about 10 minutes before you start cooking. Turn down to the desired cook setting.



1. Before using the griddle for the first time, wash it in hot, soapy water. Rinse it and allow it to dry thoroughly.
2. With all of the burners off and the range cool to the touch, put the griddle on the second place from the left, which is its original place.

After cooking, grease and debris will be trapped in a grease trap.

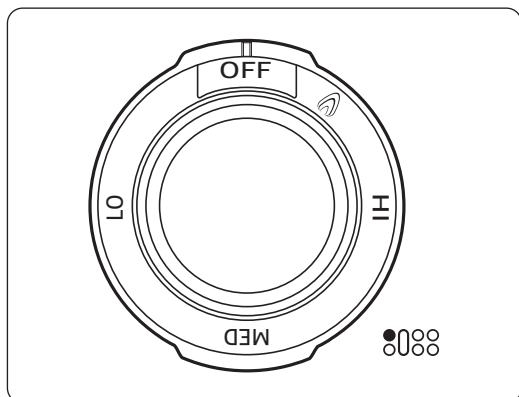


To clean the griddle.

1. Remove the grease trap cover.
2. You shall clean the grease trap by wiping it with paper towel. You can also separate the griddle by lifting it, and empty the grease trap.

⚠ CAUTION

Allow the griddle to cool before cleaning.



- In contrast to the other knobs, the griddle knob has no lite.
- Griddle knob and burner knobs have the opposite flame mark position.

The information for preheating is as below table.

Type of Food	Preheating time	Preheat setting	Cook setting
Pancakes	8 - 10 min.	HI	MED-HI
Hamburgers	15 - 20 min.	HI	HI
Fried Eggs	8 - 10 min.	HI	MED-HI
Bacon	10 - 15 min.	HI	HI
Breakfast Sausages	8 - 10 min.	HI	HI

CAUTION

- Do not remove the griddle until the range grates, surfaces, and griddle itself cool down.
- The griddle may become very hot when you use the range.
- Do not overheat the griddle. This can damage the coating of the griddle.
- Do not use metal utensils that can damage the griddle surface.
- Do not use the griddle for other purposes, for example, as a cutting board or a storage shelf.
- Do not cook excessively greasy foods. The grease may spill over.
- The griddle is quite heavy. Use both hands when placing or removing the griddle.

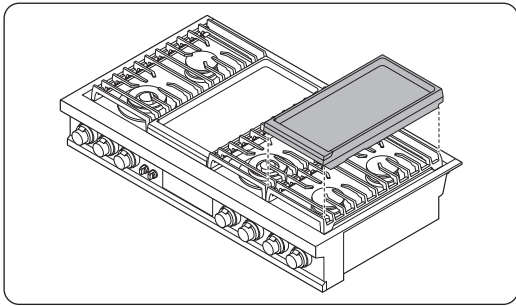
NOTE

- You may need to adjust heat settings for the griddle over time.
- The griddle may discolor over time as it becomes seasoned with use.
- Do not let rust remain on the griddle. If rust appears on the griddle, remove it as soon as possible.

Using the Cooktop

Griddle (Additional purchase Accessories)

- Before using the griddle for the first time, wash it in hot, soapy water, then rinse, and let it dry fully.
- For best results, preheat the griddle for 3-5 minutes.
- Orient the griddle's grease trap at the rear of the range.



1. With all burners off and the range cool to the touch, place the griddle and grate in the right of range.
 - The specified burners are the same size, which ensures even cooking front and rear.
 - Fit the tabs on the bottom of the feet into the inside corners of the grate. Slight rocking is normal.
2. Push and turn the right burners knob to the ignite (flame) setting. The burner ignites.

CAUTION

Avoid using metal utensils on the surface because they can scratch the non-stick coating.

NOTE

Clean the griddle after each use.

The information for preheating is as below table.

Type of Food	Preheating time	Preheat setting	Cook setting
Pancakes	3-5 min.	MED-LO	MED-LO
Hamburgers	3-5 min.	MED-HI	MED-HI
Fried Eggs	3-5 min.	MED-LO	MED-LO
Bacon	3-5 min.	MED	MED
Breakfast Sausages	3-5 min.	MED	MED

 **CAUTION**

- Do not remove the griddle until the range grates, surfaces, and griddle itself cool down.
- The griddle may become very hot when you use the range.
- Do not overheat the griddle. This can damage the coating of the griddle.
- Do not use metal utensils that can damage the griddle surface.
- Do not use the griddle for other purposes, for example, as a cutting board or a storage shelf.
- Do not cook excessively greasy foods. The grease may spill over.
- The griddle is quite heavy. Use both hands when placing or removing the griddle.

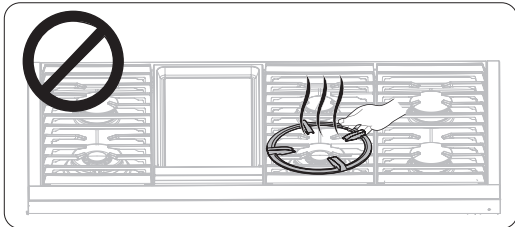
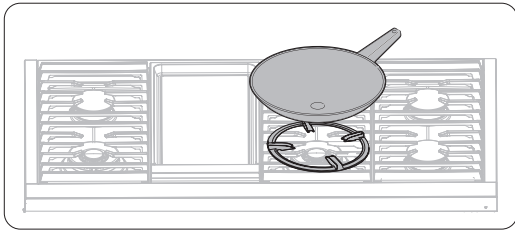
 **NOTE**

- You may need to adjust heat settings for the griddle over time.
- The griddle may discolor over time as it becomes seasoned with use.
- Do not let rust remain on the griddle. If rust appears on the griddle, remove it as soon as possible.

Using the Cooktop

About the Wok Ring

Woks are often used for stir frying, pan frying, deep frying, and poaching. The provided Wok Ring supports 12" to 14" woks.



1. Turn off all burners, and let the grates cool fully.
2. Put the Wok Ring on the grate over the 'CF' dual burner.
3. Set a wok on the Wok Ring.
4. Turn on the burner; adjust the flame as desired.

CAUTION

- Do not remove the Wok Ring until all heated surfaces cool completely.
- Do not use flat-bottom cookware or that has a diameter under 12".
- Do not use an oversized wok. Burner flames may damage property and cause burns.
- Flame foods only under an active ventilation hood.
- Do not use wok ring and griddle at the same time.
- Use oven gloves when placing or removing the wok ring.

Using the Basic Oven

Basic Settings: Clock, Date&Time, Language

Clock Theme

To change clock theme.

1. Tap **SETTINGS > Display**.
2. Tap **Clock theme**, swipt the display to view themems, and select a theme.

Date & Time

To enable automatic date and time.

1. Activate **Wi-Fi**.
2. Tap **SETTINGS > Date & Time > Automatic date and time**, and in the right-hand screen, tap **ON**.
The date and time are set automatically.

To manually input date and time

1. Tap **SETTINGS > Date & Time > Automatic date and time**, and in the right-hand screen, tap **OFF**.
Time zone, set date, and set time are activated.
2. Set the time zone, date, and time.

To change the time format

1. Tap **SETTINGS > Date & Time > Select time format**, and tap the right-hand screen.
2. Select **12-hour clock** or **24-hour clock**.

Language

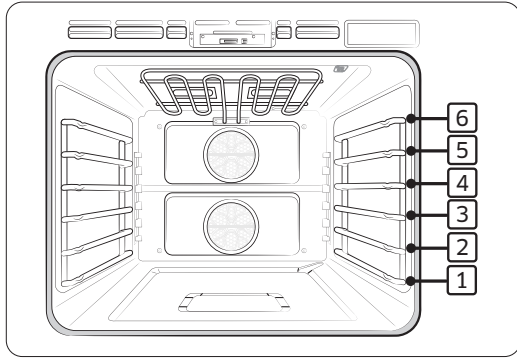
Choose a display language.

1. Tap **SETTINGS > Language**, and tap the right-hand screen.
2. Select **English**, **Spanish**, or **French**.

Using the Basic Oven

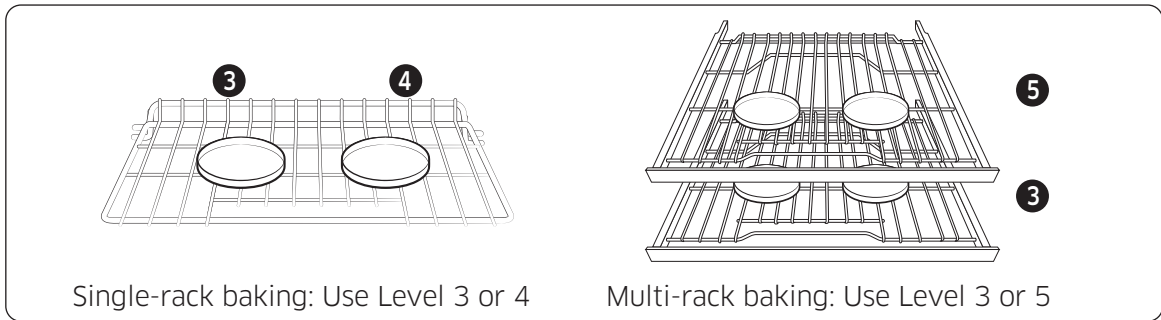
Using the Oven Racks

Right oven



Type of Food	Level
Broiling hamburgers	6
Broil meat, small, cuts of poultry, fish	3 - 5
Bundt/pound cake, frozen pie, casserole	4 or 3
Angel-food cake, small roast	2
Turkey, large roast, ham, fresh pizza	1

Rack and Pan Placement



Single-rack baking: Use Level 3 or 4

Multi-rack baking: Use Level 3 or 5

For best results, center pans in the oven as much as possible. If using multiple pans, each should have at least 1" of space around it.

Before Using the Racks

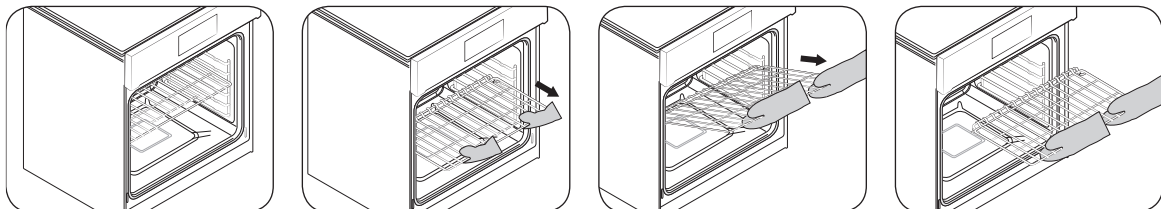
Each rack has stops that must be placed correctly on the supports to keep the rack from accidentally being pulled completely out. (Adjust racks only when the oven is cool.)

Removing the Racks

Pull the rack straight out until it stops, then tilt the rack up, and pull it out.

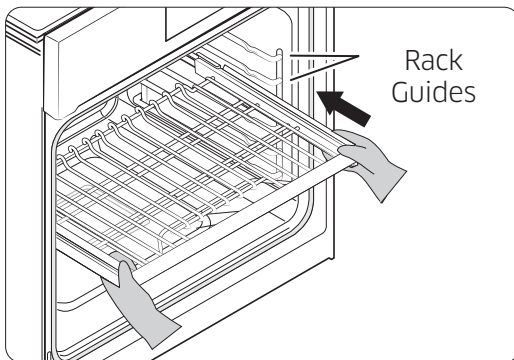
Installing the Racks

Place the end of the rack on the support, then tilt the front up, and push the rack in.

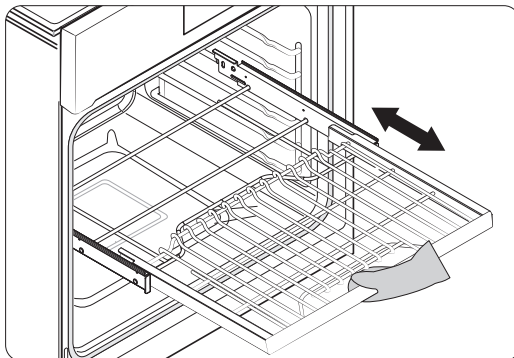


Using the Gliding Rack

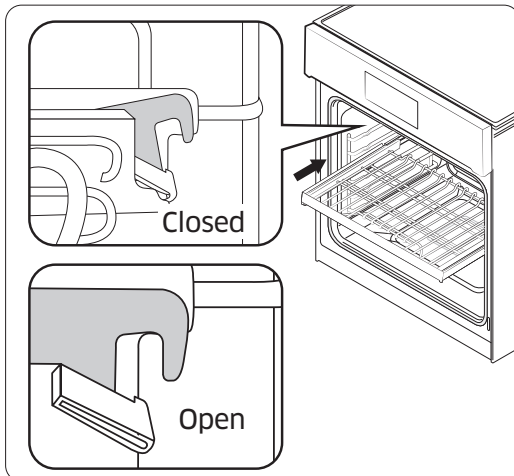
Two glide tracks let the rack extend fully out of the oven for easy removal and placement of cookware, especially heavier dishes.



With the gliding rack slides retracted and the oven off, insert the rack between the guides until the rack reaches the back.



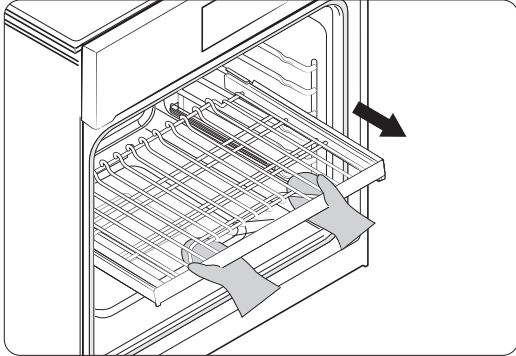
Grasp the handle to pull the gliding rack (left). Pulling by the frame may cause the rack to come off the guides, possibly harming the rack and the user. Wear oven mitts when handling the gliding rack during cooking.



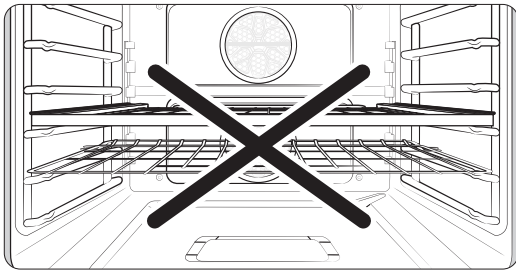
NOTE

Lock the lower part of gliding rack on the oven wall during use to keep the rack securely on the guides. The hook on the gliding rack is controlled via the upper part of the rack. The closed hook tilts up. (See left.)

Using the Basic Oven



With the gliding rack closed, and the oven off and cool, grasp the rack, and frame and pull both forward to remove.



CAUTION

Keep at least one open rack level between a gliding rack and a wire rack (see left).

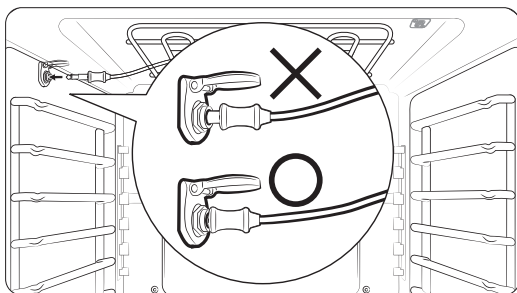
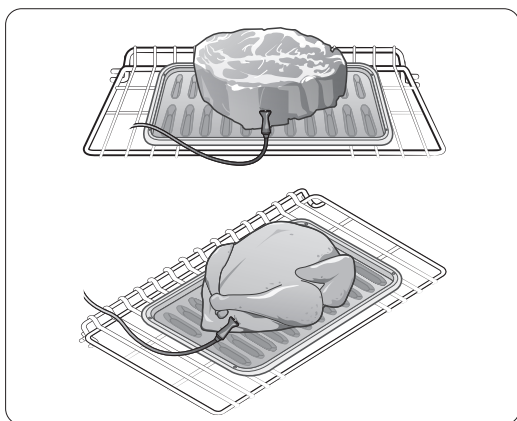
NOTE

You can install the gliding rack on any but the lowest rack level (available rack levels: 2 - 6).

Using the Temp Probe

For many foods, especially roasts and poultry, measuring the internal temperature is the best way to determine proper doneness. This feature lets you cook meat to an exact internal temperature. Use it with Bake, Convection Bake, Convection Roast, Pure Conv. Sear, Dual Four-Part Pure Convection, Steam Bake, Steam Roast, Steam, or Fine Steam. Once the meat's internal temperature reaches 100 °F, the current temperature appears on the probe display.

1. Push the temp probe tip into the center of the meat.



- Insert the probe as shown at left. Do not touch bone, fat, or gristle. If you do not fully insert the probe, it senses oven temp, not meat temp.
- Bone-in meat: Insert the probe in the center of the lowest, thickest portion.
- Whole poultry: Insert the probe in the thickest part of the inner thigh, parallel to the leg.
- If you activate Keep Warm to keep the meat warm after cooking it using the temp probe, the meat may cook beyond the desired temp.
- Temp probe socket location
 - 48" range (left oven) : left oven wall
 - 48" range (right oven) : right oven wall

Using the Basic Oven

2. Insert the temp probe plug fully into the socket on the top side wall of the oven.
3. (48" range) Tap **LEFT** or **RIGHT**, and swipe to a cooking operation (Bake, Convection Bake, Convection Roast, Pure Conv.Sear, or Dual Four-Part Pure Convection). Select a cooking mode, and set the cooking temperature. (See pg. 46)
4. Tap **Temp Probe**, and on the numeric pad, set an internal temp from 100 °F to 200 °F.
5. (Option) Set Cook Time/Delay Start.
6. Tap **START**. (When the set internal temp is reached, the probe turns off, and an alarm sounds.)

NOTE

If you remove the temp probe without canceling the function or insert it without setting the function, cooking stops after 1 min.

⚠ CAUTION

- To protect the probe tip, defrost food fully, and do not let the tip poke out of the meat.
- The probe should only be in the oven if the probe is in use.
- Do not use tongs to insert/remove the probe.
- Use the Temp probe only as instructed.

Type of Food		Level
Beef / Lamb	Rare	140 °F
	Medium	160 °F
	Well done	170 °F
Pork		170 °F
Poultry		180 - 185 °F

📄 NOTE

If you cover the cooked meat with foil and let it sit 10 minutes, the internal temp rises 5-10 degrees. After cooking, remove the probe from the socket, then take out the meat.

About Oven Functions

Oven	Oven functions
Basic oven	Bake, Convection Bake, Convection Roast, Broil, Pure Convection Sear, Convection Broil, Dual 4-Part Pure Convection, Special Function, Chef Mode, Clean
Steam oven	Bake, Convection Bake, Convection Roast, Broil, Convection Broil, 4-Part Pure Convection, Steam Bake, Steam Roast, Steam, Special Function, Special Steam Cook, Clean

📄 NOTE

For descriptions of steam oven functions in the 48" range, see the chart on Pg. 72.

Using the Basic Oven

Cooking Mode

For 48" range, tap RIGHT, then swipe to select the cooking mode; then set a temperature.
 (See Setting the Cooking Temperature, Pg. 46 and Basic Baking and Broiling Instructions, Pg. 47)

Mode	Temperature range	48" Model		Temp probe	Instant-Heat™
		Left	Right		
Bake	175 °F (80 °C) - 550 °F (285 °C)	0	0	0	-
Convection Bake / Roast	175 °F (80 °C) - 550 °F (285 °C)	0	0	0	0
Broil	High / Low	0	0	-	-
Pure Conv. Sear	175 °F (80 °C) - 475 °F (245 °C)	-	0	0	-
Convection Broil	175 °F (80 °C) - 550 °F (285 °C)	0	0	-	-
Dual 4-Part Pure Convection	175°F (80 °C) - 550 °F (285 °C)	0	0	0	-

Using the Basic Oven

Oven	Instruction
Bake	<ul style="list-style-type: none"> This mode is for baking cakes, cookies, casseroles. Always preheat the oven. Baking temps/times vary with ingredients and size/shape of the baking pan. Dark or nonstick coatings may cook faster with more browning. Convection fan may turn on/off during baking.
Convection Bake	<ul style="list-style-type: none"> This mode uses a fan to circulate oven heat evenly and continuously. Better heat distribution allows even cooking and top results with multiple racks. Breads/pastries brown more evenly. Oven temp must be manually adjusted in 25 °F increments.
Convection Roast	<ul style="list-style-type: none"> Good for cooking large tender cuts of meat uncovered; convection fan circulates heated air evenly all around the food. Meat/poultry brown on all sides as if rotisserieed. Heated air traps juices for moistness/tenderness while creating a golden-brown exterior.
Broil	<ul style="list-style-type: none"> Cooks tender cuts of meat by direct heat under oven's broil element. High heat cooks quickly for a rich, brown exterior; best for meat/fish/poultry up to 1" thick. Always preheat the oven for 5 minutes. See Broiling Recommendation Guide, Pg. 45.
Pure Conv. Sear	Uses convection element and fan; oven cooks meat 75 °F (42 °C) higher than set temperature for first 15 min.; browning process sears meat exterior to trap natural juices; best for game hens, chickens, turkeys (stuffed or not), turkey breasts, pork tenderloin, pork loins.

Using the Basic Oven

<p>Convection Broil</p>	<ul style="list-style-type: none"> • Similar to Broil but with the air circulated by the convection fan. • Broil element cycles on/off to maintain oven temp, while fan circulates hot air. • For thicker cuts of meat, fish, poultry; gently browns exterior and traps juices. • For best results, preheat broil element 5 minutes.
<p>Steam Bake</p>	<ul style="list-style-type: none"> • Ideal for bread, pastries, desserts; raises moisture for improved texture, flavor. • See Steam Bake / Steam Roast Recommendation Guide, pg. 45.
<p>Steam Roast</p>	<ul style="list-style-type: none"> • Ideal for roasted meat / poultry; maintains crispy surface while trapping juices for moistness / tenderness. • See Steam Bake / Steam Roast Recommendation Guide, pg. 45.
<p>Dual Four-Part Pure Convection</p>	<p>Uses convection element and fan to uniformly circulate air, allowing use of more oven space; good for single- / multi-rack baking, roasting, cooking full meals; food like pizza, cake, cookies, biscuits, frozen convenience foods can be cooked on 2 - 3 racks; also good for whole roasted duck, lamb shoulder, short leg of lamb.</p>

Broiling Recommendation Guide

The size, weight, thickness, starting temperature, and your doneness preference will affect broiling times.

This guide is based on meats at refrigerator temperature. Always use a broiler pan and its grid when broiling.

Always preheat the oven for 5 minutes.

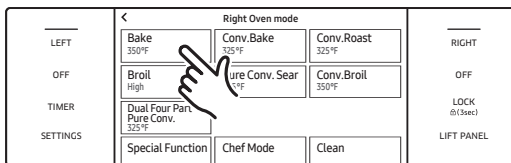
Food	Doneness	Size	Thickness	Level	Rack position	Cooking time (min)	
						1st side	2nd side
Hamburgers	Medium	9 patties	¾"	Hi	6	3:00	2:00
	Medium	9 patties	1"	Hi	6	3:20	2:20
Beef steaks	Rare		1"	Hi	5	5:00	4:00
	Medium		1 - 1½"	Hi	5	6:00 - 6:30	4:30 - 4:00
	Well done		1 - 1½"	Lo	4	7:00 - 8:00	4:00 - 5:00
Chicken pieces	Well done	4.5 lbs.	½ - ¾"	Lo	3	16:00 - 18:00	13:00 - 15:00
	Well done	2 lbs.	½ - ¾"	Lo	3 or 4	15:00 - 16:00	10:00 - 12:00
Pork chops	Well done	1 lbs.	1"	Lo	3	8:00 - 10:00	6:00 - 8:00
Fish fillets	Well done		¼ - ½"	Lo	3 or 4	7:00 - 8:00	4:00 - 5:00

Steam Bake / Steam Roast Recommendation Guide

Steam Mode	Level	Foods
Steam Bake	High	Rye breads, Desserts (Flan caramel)
	Med	Croissants, Pies, Reheats (Pizza, Casseroles)
	Low	Pastries
Steam Roast	High	-
	Med	Meats, Poultry
	Low	Turkey, Large meats

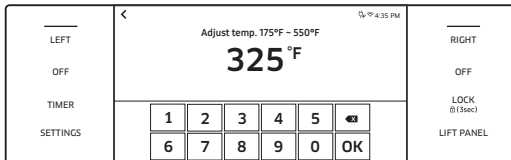
Using the Basic Oven

Setting the Cooking Mode



- Swipe the screen left/right to select a mode.
- Tap the mode area to show the summarized mode.
- Tap a mode.

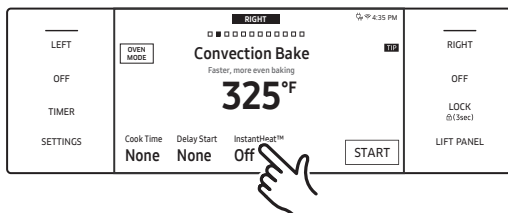
Setting the Cooking Temperature



- Tap the temperature to show the numeric pad.
- Tap the numeric pad to set the temperature.
- Tap OK.

Using the Basic Oven

Basic Baking and Broiling Instructions



1. (48" range) Tap **RIGHT**, and swipe to select a cook mode. Select a cook mode.

2. Set a temperature. (See Pg. 46)

- Broil mode can be set only High or Low.
- Keep Warm and Bread Proof temp's cannot be adjusted.

3. This step shows how to use InstantHeat™, Steam Bake, or Steam Roast. If not using these features, skip to **Step 4**.

InstantHeat™

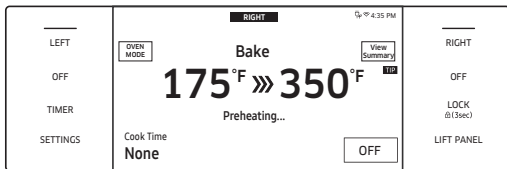
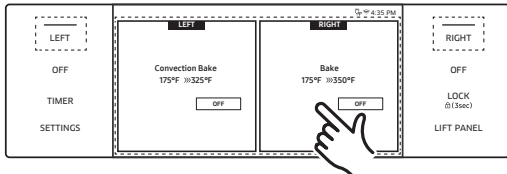
- If you select Convection Bake or Convection Roast, the display shows InstantHeat™ info. (Default: **OFF**). Tap InstantHeat™ to activate the feature; the display shows **ON**.

NOTE

- For best results, cook on one rack. (Baking on rack level 3 or 4; Roast on level 1 or 2).
- When using InstantHeat™, do not preheat the oven.
- Preheat the oven if baking rising products (cakes, puff pastries).

Using the Basic Oven

Adjusting the Temperature While Cooking



If using single mode, do one of these:

- Tap **RIGHT** (area or button), then tap the temperature area, and use the keypad to enter a new temperature.
- Place food in the preheated oven if the recipe calls for it. Preheating is crucial for good results if baking cakes, cookies, pastry, and breads. When the set temp is reached, the oven beeps 6 times.

- The convection oven fan shuts off when the oven door is opened.
- DO NOT leave the door open for long periods of time while using convection cooking or you may shorten the life of the convection heating element.

NOTE

- If the door is open on an operating oven, cooking stops automatically after 2 minutes.
- When cooking is done, the cooling fan runs until the oven cools down.
- Drain residual water after steam cooking. Do not interrupt the draining process.
- After steam cooking, empty the reservoir so residual water does not affect other cook modes.
- The temperature on an oven thermometer may differ from the set oven temperature.
- The convection fan normally cycles on and off during cooking.

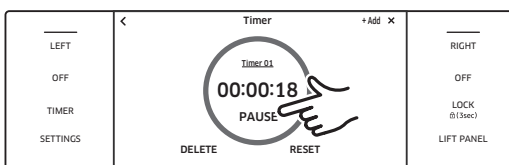
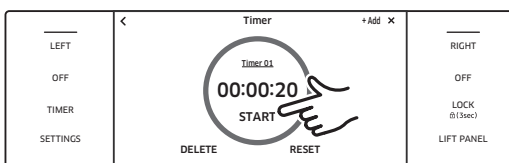
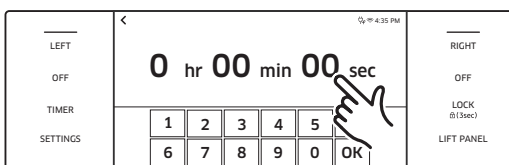
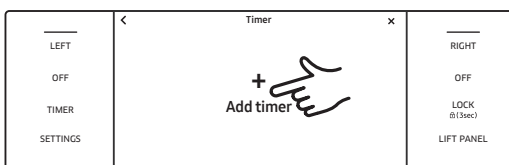
CAUTION

Always broil with the oven door closed. Open the door carefully. Let hot air escape before removing food from or put food in the oven.

Using the Kitchen Timer

This extra timer beeps when the set time elapses. It works with all oven modes but does not start or stop cooking functions.

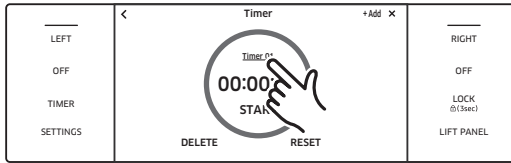
How to Set the Timer



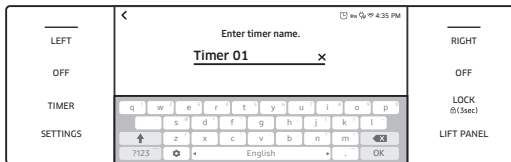
1. Touch **TIMER**.
2. On the Timer screen, tap + **Add timer**.
3. Use the numeric pad to set the time from 1 sec to 23 hr, 59 min, 59 sec.
4. Tap **START**. When the set time elapses, the oven beeps; the display shows the Timer is complete same as Actual set.
 - Pause/reset/delete the timer anytime by touching the screen.
 - (48" range) The timer you set in the left oven can be used in the right oven, and vice versa.

Using the Basic Oven

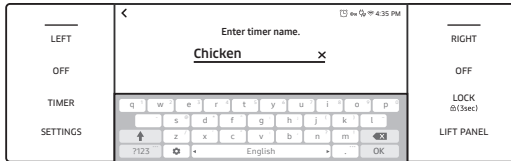
Changing the Timer Name



You can change the timer name to reflect the cooking task (e.g., Chicken).



1. Tap the timer name area. (The keypad appears.)



2. Use the keyboard to set the timer name. (Display shows the new name.)



Using Timed Cooking

The oven turns on immediately, cooks for the set time period, then turns itself off when cooking is done. Timed Cooking only operates with another cooking operation (Bake, Convection Bake, Convection Roast, Pure Conv. Sear, Convection Broil, Steam Bake, Steam Roast, Dual Four-Part Pure Convection, Steam, Proof, Stone Bake Mode, Dehydrate, Fine Steam).

NOTE

See Pg. 42 for the available modes for each oven.



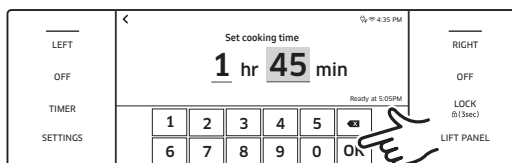
1. (48" range) Tap **LEFT** or **RIGHT**, then swipe to a cooking operation. Select a cooking mode.



2. Tap **Cook Time**. (The display changes to the cooking time screen.)



3. Tap numbers on the numeric pad to set the cooking time (from 1 min to 9 hrs 59 min's).



4. The cooking time appears in the screen's **Cook Time** area. (Cancel the set time anytime by setting it to 0 minutes.)



CAUTION

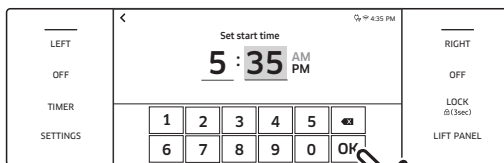
Use Timed Cooking and Delay Start to cook cured or frozen meats, and most fruits and vegetables. Foods that spoil easily (e.g., milk, eggs, fish, meat, poultry) should be chilled in the refrigerator first. Even chilled food should not sit in the oven over 1 hour before cooking starts and should be removed promptly when cooking is done.

Using the Basic Oven

Using Delay Start

In this mode, the oven timer turns the oven on according to the set time. You can have the oven turn itself off when a preset time elapses by setting Timed Cooking as well.

- Delay start can be used only with another cooking operation (Bake, Convection Bake, Convection Roast, Pure Conv.Sear, Steam Bake, Steam Roast, Dual Four Part Pure Convection, Steam, Proof, Stone Bake Mode, Dehydrate, Fine Steam, Self clean).
- You can set the oven for a delay start before setting other cooking operations.
- The clock must be set to the current time.



1. Adjust the rack(s) and place the food in the oven.
2. (48" range) Tap **LEFT** or **RIGHT**, then swipe to a cooking mode; Select a cooking mode.
3. Set a cook time if you want the oven to turn itself off at a set time. (See Using Timed Cooking, g. 51).
4. Tap **Delay Start**. (The current time appears as the first entry.)
5. Use the numeric pad to set a cook start time. (The Delay Start screen closes; the start time, and, if set, the cook time, appear onscreen.)

Using the Cleaning Features

The Clean feature has four selections: Self-Clean, GreenClean™, Descale, and Draining.

Feature	48" Pro Range	
	Left	Right
Self Clean	-	0
GreenClean™	0	0
Descale	0	-
Draining	0	-

Self clean (48" right oven) Self-cleaning uses temperatures well above cooking temp's to burn off residual grease and food completely or reduce them to a fine ash you can wipe away with a damp cloth.

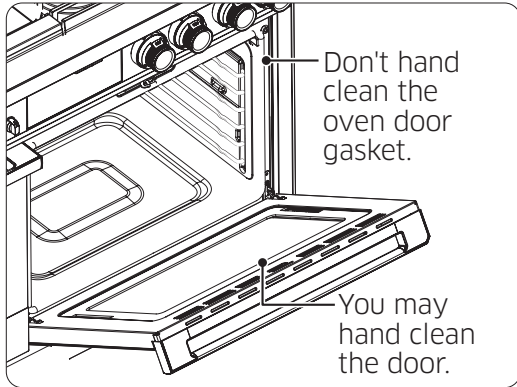
CAUTION

- During self-cleaning, the outside of the oven become very hot. Do not leave children unattended near the appliance.
- Fumes emitted during self-cleaning are harmful to pet birds, which should be moved temporarily to separate, well-ventilated room.
- Do not line any part of the oven with aluminum foil. Doing so impedes heat circulation, causes poor results, and can permanently damage the oven interior.
- Do not force the oven door open during self-cleaning or you risk damaging the auto-locking system. Stand aside when opening the oven door after self-cleaning to let hot air escape.

Using the Basic Oven

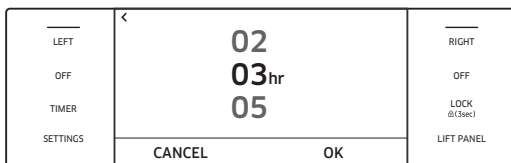
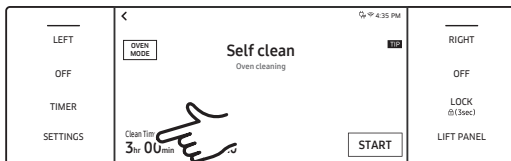
Self-Cleaning

This function heats the oven chamber to a very high temperature, incinerating residue to a fine ash that can be wiped up with a damp cloth.



- Ventilate the kitchen well during self-cleaning.
- If you self-clean the chrome oven racks, they will darken, dull, and become hard to slide.
- Hand-clean residue on the oven's front frame and outside the door gasket with hot water, soap-filled steel-wool pads, or mild cleansers. Rinse with clean water and dry.
- Wipe debris from the oven floor.
- Ensure the oven light cover is in place and the light is off.

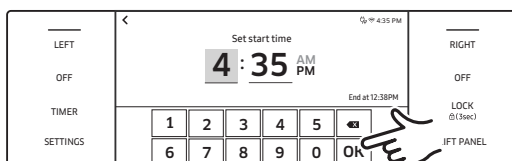
- Hand-clean residue on the oven's front frame and outside the door gasket with hot water, soap-filled steelwool pads, or mild cleansers. Rinse with clean water and dry.
- Do not clean the gasket. Its fiberglass material cannot withstand abrasion. The gasket must remain intact. If it becomes worn, replace it.
- Dacor recommends self-cleaning only once per year. If additional cleaning is needed throughout the year, use the green-cleaning function. (See Pg. 55)



1. Remove racks, fan filter, and accessories from the oven.
2. Swipe the screen to **Clean**.
3. Tap **Self clean**.
4. Tap **Clean Time**.
5. Tap the screen to set the clean time (2, 3, or 5 hrs (default: 3)), and tap **OK**.



6. If not using Delay Start, go to Step 8. Otherwise, tap **Delay Start**, and go to Step 7.



7. Set the time you want self-cleaning to start, and tap **OK**.



8. Tap **START** to begin self-cleaning. (Auto door lock engages; both doors lock when you run self-cleaning on either oven.)



If you need to cancel self-cleaning, tap **OFF**.

NOTE

- You cannot start self-cleaning if control lockout is active or if the oven is too hot.
- During self-cleaning, the oven doors lock automatically. The display shows the remaining cleaning time. The oven doors will not open until the oven has cooled fully.
- Self-cleaning can be used in only one oven at a time, and the idle oven cannot be used.
- Do not operate the cooktop during self-cleaning.

After a Self-Cleaning Cycle

- Wipe up any ash with a damp cloth. (If white spots remain, remove them with a soap-filled steel-wool pad and rinse thoroughly with a vinegar and water mixture.)
- If the oven is not clean after one cycle, repeat the cycle.
- You cannot set the oven to cook until the door unlocks.
- Fine lines generated inside the cavity may occur during repeated cooling and heating of the product after long-term use. This phenomenon is normal, does not affect product performance, and is harmless to the human body.

GreenClean™

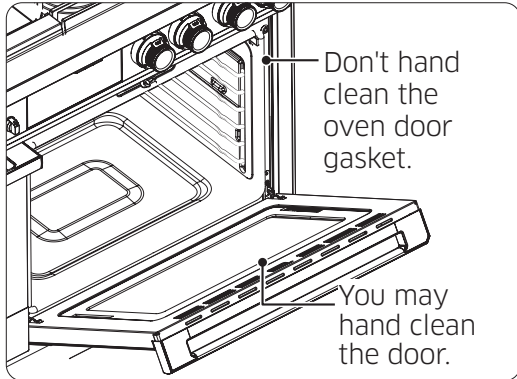
This function saves time and energy by heating the oven chamber enough to loosen cooking residue so it can be wiped away with a damp cloth.

CAUTION

The oven door locks during GreenClean™. Forcing the door open can harm the auto-lock system.

Using the Basic Oven

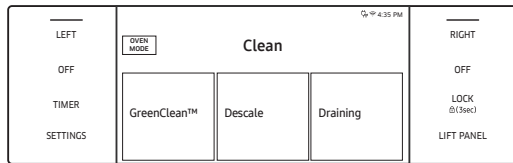
Before a GreenClean™ Cycle



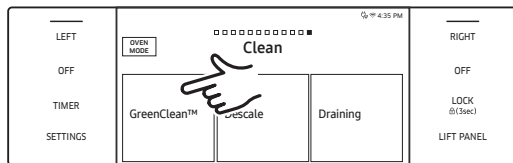
- Remove racks, rack supports, broil pan, broil pan insert, and all cookware.
- The silver-colored oven racks can be Green-Cleaned, but they will darken and become harder to slide.
- Do not clean the door gasket. Its material cannot withstand abrasion. The gasket must remain intact. If it becomes worn, have it replaced.
- Ensure the oven light cover is in place and the oven light is off.

- Residue on the front frame of the oven and outside the door gasket needs to be hand cleaned with hot water, soap-filled steel-wool pads, or cleansers such as Soft Scrub. Rinse well with clean water and dry.

Running a GreenClean™ Cycle



1. Swipe the screen to Clean.



2. Tap GreenClean™.



3. Tap **START** to begin GreenClean™, and follow the onscreen instructions.

NOTE

- (Basic oven) For best results, pour exactly 10 oz (300 ml) of water on the oven floor.
- (Steam oven) Operates with the steam function. Add 33.8 oz (1,000 ml) of water to the reservoir.
- You cannot start GreenClean™ if Control Lockout is active or until the oven cools.
- The oven doors lock automatically. The display shows the cleaning time remaining. You cannot open the oven doors or set the oven to cook until the oven has cooled.
- GreenClean™ can be used in only one oven at a time. While one oven is in GreenClean™ mode, you cannot use the other oven for cooking.

After a GreenClean™ Cycle

- Stand aside and carefully open the oven door to let hot air escape safely; residual water on the oven floor is hot enough to burn.
- Immediately remove residual water with a sponge.
- With a detergent-soaked sponge or soft brush, wipe the oven interior. Remove stubborn residue with a nylon scourer and limescale with a vinegar-soaked cloth.
- If the oven remains dirty, you can repeat the procedure once the oven has cooled.
- After wiping the interior clean and dry, leave the oven door ajar so the interior enamel surface can dry thoroughly.

Descal (steam oven)

If you use steam functions, you should descale regularly to remove minerals from the oven that may affect the taste or quality of your cooking. For a descaling cycle, use only descaling agents specific to steam ovens or coffee machines.

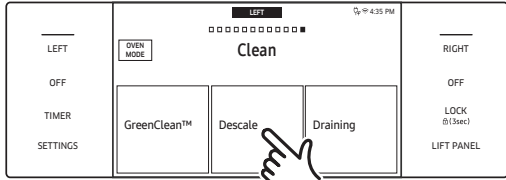
NOTE

If you use the steam functions for a specific time period, the Descal indicator turns on. You can use steam functions for a few hours without descaling; however, when those hours are exhausted, all steam functions are disabled until you run a descaling cycle.

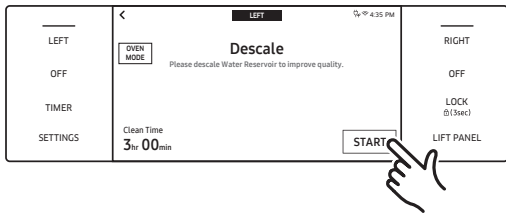
DOP48C96D**	Operation hour		
WATER HARDNESS	Pre Alert	Cleaning alert	
Soft	39	42	(+3)
Medium	30	33	(+3)
Hard	23	26	(+3)

Using the Basic Oven

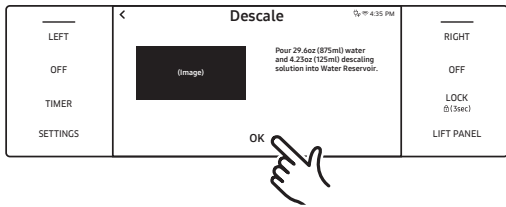
Using the Basic Oven



1. Swipe the screen to Clean.
2. Tap Descale.



3. Tap START.

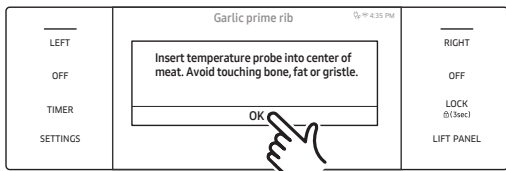


4. Follow the onscreen instructions. The cycle lasts 3 hours. Empty and clean the reservoir, then pour in water and descaling agent. (See the table for amounts.)

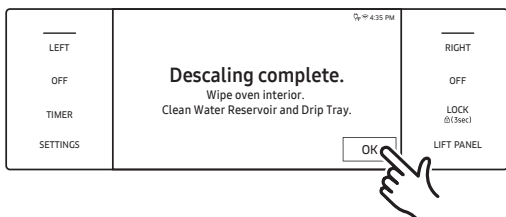
Required amount	Water		Descaling solution		Rinsing water	
	oz.	mL	oz.	mL	oz.	mL
48" Steam oven	29.6	875	4.2	125	50.7	1500



5. When descaling is done, the water drains automatically.
6. Use oven gloves to remove an empty the water reservoir, and then refill it with tap water for rinsing refer to the above table.



7. Follow the on-screen instructions, and then tap OK to start rinsing.



8. When rinsing is complete, use oven gloves to empty and clean the water reservoir.

⚠ CAUTION

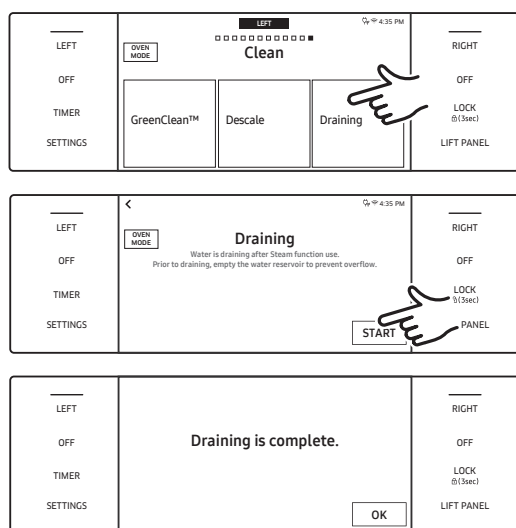
- While descaling, steam functions are disabled. If you cancel descaling, you must restart and complete the cycle within 3 hours to enable steam functions.
- To avoid accidents, keep children away from the oven.
- For the correct water-to-descaling agent ratio, use the manufacturer's directions. If the ratio is not 8 to 1, use the descaling agent's ratio.

📄 NOTE

Though the oven automatically starts descaling in 5 seconds without your confirmation, you should confirm your selection to keep descaling from starting by mistake.

Draining (Steam oven)

When a steam function is complete, you must drain the remaining water to prevent the water from affecting other cooking modes. To drain the water, follow these steps:



1. Swipe to the Clean screen, and tap **Draining**.
2. Tap **START**. The oven drains water from the steam generator to the reservoir.
3. When draining is done, use oven mitts to remove and empty the reservoir.

Using the Basic Oven

Using the Sabbath Feature

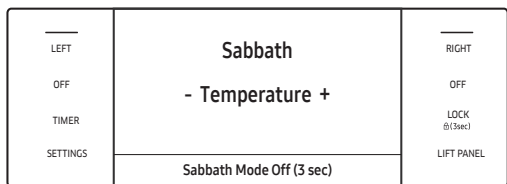
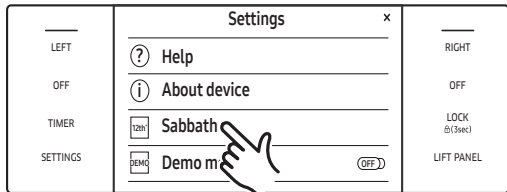
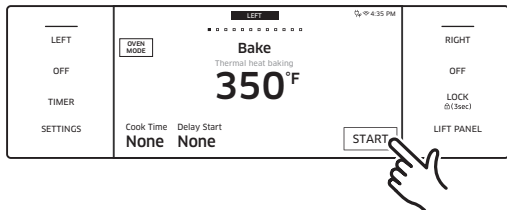
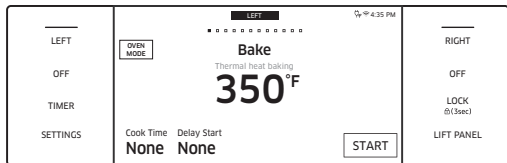
(For use on the Jewish Sabbath & Holidays)



For further assistance, guidelines on proper usage, and a complete list of models with the Sabbath feature, visit <http://www.star-k.org>.

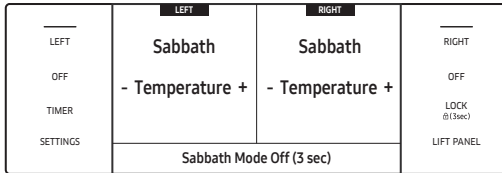
You can use the Sabbath feature with baking only. You can adjust the oven temperature after you set the Sabbath feature. (Use oven-temp adjustment only during Jewish holidays.) The display, however, will not change and tones will not sound when a change occurs. Once the Sabbath feature is active and the oven properly set, the oven stays on until the Sabbath feature is cancelled. This overrides the factory preset 12-hr energy-saving feature. To use the oven light during the Sabbath, touch **LIGHT** before activating the Sabbath feature. Once the oven light is on and the Sabbath feature is active, the oven interior light stays on until the Sabbath feature is cancelled. If you will not use the oven light, turn it off before activating the Sabbath feature.

Using the Basic Oven

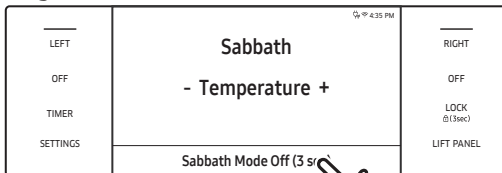


1. Swipe the screen to Bake mode.
2. Set the temperature and cook time you want.
3. Tap **START**.
4. Tap **SETTINGS > Sabbath**, then tap **Sabbath** to start Sabbath mode. (The oven will not beep or show changes; you may change the oven temp once baking starts.)

Double Oven



Single Oven



- To turn Sabbath mode off, tap-hold **Sabbath Mode Off(3 sec)** for 3 seconds.
- Turn the oven off anytime by tapping **OFF**. (This does not cancel Sabbath mode.)

NOTE

- After you change the oven temperature while the unit is in Sabbath mode, there is a 15 second delay before the unit recognizes the change.
- You can set the Cook Time function before activating Sabbath mode.
- If there is a power failure or interruption, the oven shuts off. When power returns, Sabbath appears on the control display, but the oven is disabled. Food may be removed from the oven; however, the oven cannot be turned on until after the Jewish Holidays,

CAUTION

To let the oven reach the set temperature, do not open the oven door or change the oven temp for about 30 minutes after starting Sabbath mode.

Using the Basic Oven

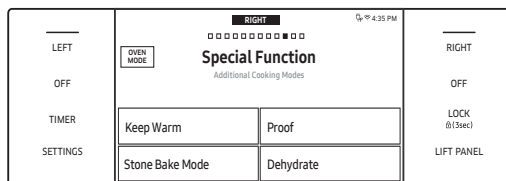
Using the Special Functions

There are four specialized cooking options.

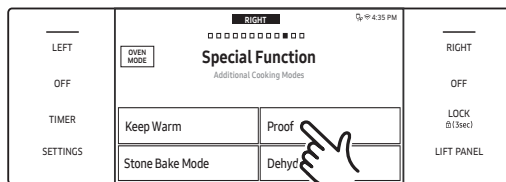
Mode	Temperature range	48" Pro Range Basic Oven
Keep Warm	None	0
Proof	95 °F (35 °C) / 105 °F (40 °C)	0
Stone Bake Mode	175 °F (80 °C) - 550 °F (285 °C)	0
Dehydrate	105 °F (40 °C) - 225 °F (105 °C)	0

** Non-adjustable. A factory-set temperature is applied for the best performance.

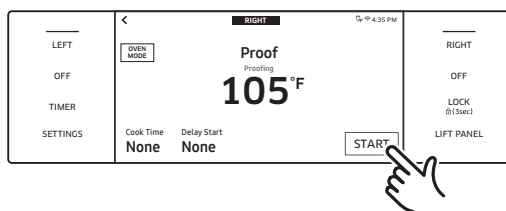
Mode	Instruction									
Keep Warm	<ul style="list-style-type: none"> Keeps cooked food warm for serving up to 3 hours after cooking is done. Use this mode by itself, or set it to activate after timed or delay timed cooking. Not for reheating food; 175 °F temperature is non-adjustable. 									
Proof	<ul style="list-style-type: none"> Provides optimal temperature for dough proofing: <ul style="list-style-type: none"> 48" product left oven : 85 °F / 95 °F; 48" product right oven : 95 °F / 105 °F; For the best results, start Proof with a cool oven. 									
Stone Bake Mode	<ul style="list-style-type: none"> Stone accessory required. Bake on a baking or pizza stone for pizza and bread. For best results, preheat with a stone. 									
Dehydrate	<ul style="list-style-type: none"> Removes moisture from food via heat circulation. Keep dehydrated food in a cool, dry place. Add lemon or pineapple juice, or sprinkle sugar on fruit to help retain sweetness. See the table below for Dehydrate settings. <table border="1" data-bbox="509 1606 1347 1753"> <thead> <tr> <th>Category</th> <th>Rack Level</th> <th>Temperature (°F)</th> </tr> </thead> <tbody> <tr> <td>Vegetables or Fruit</td> <td>3 or 4</td> <td>105 - 150</td> </tr> <tr> <td>Meat</td> <td>3 or 4</td> <td>145 - 225</td> </tr> </tbody> </table>	Category	Rack Level	Temperature (°F)	Vegetables or Fruit	3 or 4	105 - 150	Meat	3 or 4	145 - 225
Category	Rack Level	Temperature (°F)								
Vegetables or Fruit	3 or 4	105 - 150								
Meat	3 or 4	145 - 225								



1. Swipe to the Special Function screen, and tap a cooking option.



2. Set the temperature, and tap **START**.



CAUTION

- If the oven temperature is above 125 °F, Proof will not work properly.
- Do not use Proof to warm food. The proofing temp cannot keep food warm.
- Place dough in a heat-safe bowl on rack level 3 or 4, and cover it with cloth or plastic wrap. (Anchor the plastic wrap beneath the bowl so the oven fan does not blow away the plastic wrap.)
- To avoid lowering the oven temp and prolonging proofing, leave the oven door closed.

NOTE

- Preheating is unnecessary for special functions, except Stone Bake Mode.
- An error beeps if the temperature is set out of range.

Using the Basic Oven

Rack position chart for special cooking options

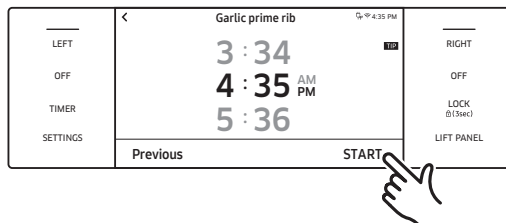
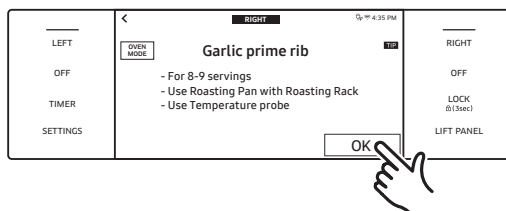
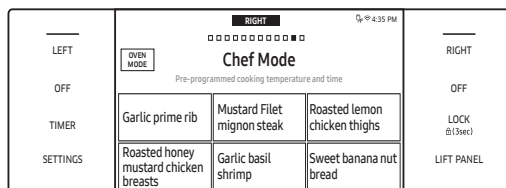
Mode	Rack Position
Keep Warm	5
Proof	3
Stone Bake Mode	1 or 2
Dehydrate	3 or 4

Common features:

- Basic settings
- Using the temp probe
- Setting the mode
- Setting the temperature
- Kitchen timer
- Delay start
- Using the clean feature
- Using the Sabbath feature
- Using the iQ control feature
- To start the oven remotely
- Control lockout
- Settings

Using Chef Mode

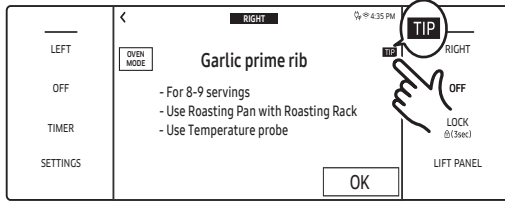
Fifteen Chef Mode dishes simplify cooking for novice users, saving time or shortening the learning curve. Cook time and temperature are adjusted according to the selected recipe. You can download detailed recipes for each feature from the Dacor website.



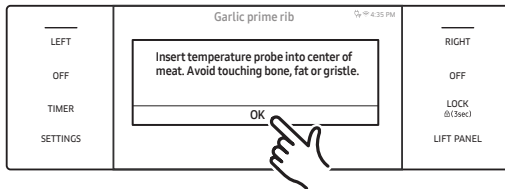
1. Swipe to the Chef Mode screen.
2. Scroll and tap a Chef Mode dish.
3. Follow the on-screen instructions.
4. Tap **START** to start cooking.

Using the Basic Oven

Cooking Tips in Chef Mode



1. Tap **TIP** on the display.



2. The tip appears with info relevant to the cooking task. When finished, tap **OK**.

Using iQ Control

To use this feature, download the SmartThings app to a mobile device. Functions operated via SmartThings may not work well if communication conditions are poor or if the Wi-Fi signal is weak at the oven location. See the table for the main functions that can be operated from the app.

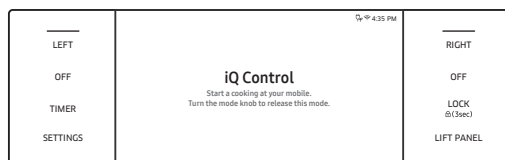
When iQ Control on the oven is off	Monitoring (Oven, Probe), Oven off
When iQ Control on the oven is on.	Monitoring (Oven, Probe), Oven start, Oven off, Error check

Connecting the Oven

1. Download and open the Samsung SmartThings app on your smart device.
2. Follow the app's instructions to connect your oven.

The connected icon appears on the oven display, and the app confirms the connection. If the connection icon does not appear, follow the app's instructions to connect.

Starting the Oven Remotely



Tap **SETTINGS > Connections > iQ Control > ON** (for the appropriate oven).

When iQ Control is on you can remotely turn **on/off** the oven and change oven settings with your mobile device.

NOTE

- Self-clean mode cannot be started remotely.
- Opening the oven door deactivates iQ Control, disabling remote operation.
- Even if iQ Control is deactivated, you can monitor oven status and turn the oven off.
- When oven cooking is finished or cancelled, iQ Control deactivates itself.

Using the Basic Oven

Using Control Lockout

This mode lets you disable touch pad functions. The oven doors also lock automatically. Control Lockout must be activated when the oven is in standby mode.

Activating Control Lockout



1. Cancel or turn off all functions.
2. Touch-hold **LOCK** for 3 seconds.

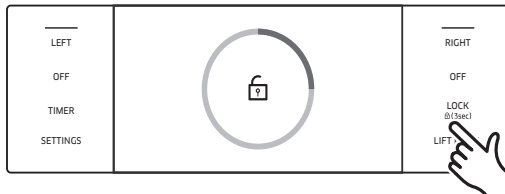


3. The Control Lock screen appears.

NOTE

Control Lockout is available only when the oven temperature is under 400 °F.

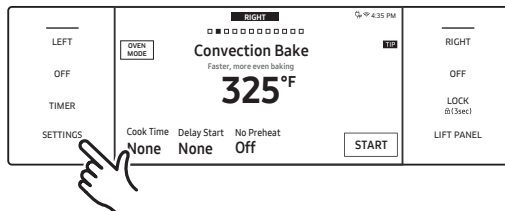
Disabling Control Lockout



Touch-hold **LOCK** for 3 seconds. The control lock confirmation and lock icon disappear.

Using Settings

Change default settings to your preference or diagnose network-connection issues.



Tap **SETTINGS** to show the Settings screen.

Wi-Fi

To enable a Wi-Fi connection:

1. Tap **SETTINGS** > **Connections** > **Wi-Fi**, then tap **ON** in the right screen. (To disable Wi-Fi, follow the same path, and tap **OFF**.)
2. Tap **Wi-Fi**, then tap a network in the list that appears.
3. When prompted, provide a password.

To manually input an IP address:

1. Tap **SETTINGS > Connections > Wi-Fi**, then tap **ON** in the right screen.
2. Tap **Wi-Fi > Add Network**.
3. Enter an IP manually, then tap **CONNECT** to apply your settings.

NOTE

For details on the above features, see the Samsung SmartThings User Manual.

Display

1. Brightness

You can change the brightness of the display screen.

- Tap **SETTINGS > Display > Brightness**, and use the adjacent bar to adjust screen brightness.

2. Screen Saver

If screen saver is off, the Clock theme and Timeout menu are disabled.

- Tap **SETTINGS > Display > Screen saver**, then tap **OFF** on the right screen.

3. Clock Theme

- Tap **SETTINGS > Display > Clock theme**, then tap the right screen, and select a theme.

4. Setting the Clock Display to Always On

- Go to **Menu**
- Select **SETTINGS > Display > Timeout > Always On**
- When you setting display clock, Initial 1 hour displays Burn-IN prevention theme. (analog type or digital type)
- Analog Clock: **Center > Left > Right** (Movement Repeat)
- Digital Clock: **Top > Bottom** (Movement Repeat)

Temp

1. Temp unit

You can program the oven control to display the temperature in Fahrenheit or Celsius. The oven has been preset at the factory to display in Fahrenheit.

- Tap **SETTINGS > Temp > Temp unit**, then tap the right screen, and select °C or °F.

2. Temp adjust

Oven temperature is factory calibrated. When first using the oven, follow recipe times and temperatures. If the oven cooks too hot/cool, you can recalibrate the oven temp. Before doing so, test a recipe by using a higher/lower temp than the recipe stipulates. The results will help you to decide the degree of adjustment. (Oven temp can be adjusted ± 35 °F (± 19 °C). This adjustment will not affect broil or the self-clean temp's. The adjustment will be retained after a power failure.

- Tap **SETTINGS > Temp > Temperature Adjust**, then tap in the right screen, and adjust the temp.
- Temp can be increased/decreased by 35 °F (19 °C).

Using the Basic Oven

Volume

Adjust the volume level for beeps and melodies.

- Tap **SETTINGS** > **Volume**, then use the adjacent bar to adjust the volume.

Lighting

Dacor's Pro range has two distinctive lighting features: 'Shower lighting' shines on knobs from above; 'Welcome lighting' is an array that appears when you lift the LCD panel.

- To adjust Shower lighting, tap **SETTINGS** > **Lightings**, and select **On**, **Automatic**, or **Off**.
- To adjust Welcome lighting, tap **SETTINGS** > **Lightings**, and select **On** or **Off**.

12- hour Energy Saving

This feature turns the oven off after 12 hours of baking or 3 hours of broiling.

1. Tap **SETTINGS** > **12 hour energy saving**, then tap **ON** on the right screen.
2. The 12-hour energy saving icon appears in the indicator area.

Water Hardness

Adjust water hardness for the Steam oven. (The harder the water, the more you need to descale.)

- Tap **SETTINGS** > **Water hardness**, and select **Soft**, **Medium**, or **Hard**.

iQ Control

To start the oven remotely.

- Tap **SETTINGS** > **Connections** > **iQ Control**, then tap **ON** on the appropriate oven.
(See **Using iQ Control**, Pg. 67)

Easy Connection

Easily configure network settings, including the authentication procedure.

- Tap **SETTINGS** > **Connections** > **Easy connection**, then tap **CONNECT**.

Hood Connectivity

By connecting to the hood, Hood is turned **on/off** automatically when you use the cooktop.

1. Tap **SETTINGS** > **Connections** > **Hood connectivity**.
2. Turn on Bluetooth on hood.
3. Tap **CONNECT** on LCD display to connect to the hood.

Hood-Control Range Model	Hood Model
DOP48C96D**	DHD30M967W, DHD36M967I, DHD36M987W, DHD48M967I, DHD48M987W

Help

Help provides useful tips and explanations on a specific item that you select.

1. Troubleshooting
 - Tap a checkpoint directly on the screen, and try the suggestions.
2. Guide for first use
 - Provides simple instructions on the basic use of the oven.

About Device

You can see information about the oven and do a software update. To update the software:

1. Tap **SETTINGS > About device > Software Update**, and then tap **Update** in the right screen.
2. Tap **INSTALL**. The software is updated and the system restarts automatically.

Sabbath

You can set Sabbath mode. See Using the Sabbath Feature, Pg. 60.

Demo Mode

This mode is used retail display only. (The heating element does not operate.)

1. Tap **SETTINGS > Demo mode**, and then tap **ON** in the right screen.
2. The Demo mode indicator appears on screen.

Remote Management

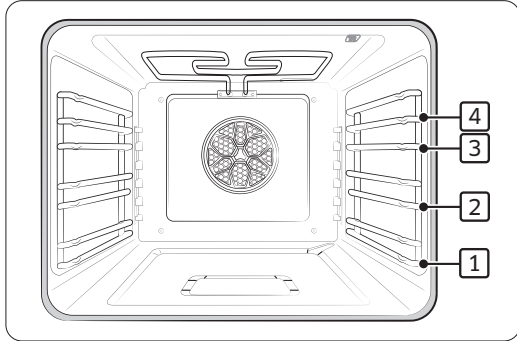
The call center will access your product remotely to check internal when you have some problems.

- Tap **SETTINGS > Connections > Remote management**, and then tap **ACTIVATE**.

Using the Steam Oven

Using the Oven Racks

Left Oven



Rack levels for certain cooking tasks (reference only)

Type of Food	Level
Broiling hamburgers	4
Broiling meats or small cuts of poultry, fish	3 - 4
Bundt cakes, pound cakes, frozen pies, Angel food cakes, casseroles, small roasts	1 - 2
Large roasts, hams, fresh pizza	1

Each rack has stops that need to be placed correctly on the supports. These stops keep the rack from coming completely out.

1. Pull the rack straight out until it stops, then tilt up to release the catch, and pull the rack away from the oven.
2. Place the end of the rack on the support, tilt up to engage the catch, and push the rack in.

⚠ CAUTION

- Do not cover any part of the oven with aluminum foil. Doing so hinders baking results and may harm the oven.
- Arrange racks only when the oven is cool.

About Oven Functions

Oven	Oven Functions
Basic Oven	Bake, Convection Bake, Convection Roast, Broil, Pure Convection Sear, Convection Broil, Dual Four Part Pure Convection, Special Function, Chef Mode, Clean.
Steam oven	Bake, Convection Bake, Convection Roast, Broil, Convection Broil, 4 Part Pure Convection, Steam Bake, Steam Roast, Steam, Special Function, Special Steam Cook, Clean.

Tap LEFT, swipe to select a cooking mode, and set a temperature. (See **Setting the Temperature**, Pg. 46 and **Basic Baking and Broiling Instructions**, Pg. 77)

Mode	Temperature range	48" Model		Temp probe	Instant-Heat™
		Left	Right		
Bake	175 °F (80 °C) - 450 °F (230 °C)	0	0	0	-
Convection Bake / Roast	175 °F (80 °C) - 450 °F (230 °C)	0	0	0	-
Broil	High / Low	0	0	-	-
Pure Conv. Sear	175 °F (80 °C) - 475 °F (245 °C)	-	0	0	-
Convection Broil	175 °F (80 °C) - 450 °F (230 °C)	0	0	-	-
Steam Bake / Roast	230 °F (110 °C) - 450 °F (230 °C)	0	-	0	-
4-Part Pure Convection	175°F (80 °C) - 450 °F (230 °C)	0	0	0	-
Steam	215 °F (100 °C)	0	-	0	-

Cooking Mode with Steam Function

On the display, tap LEFT, and select Steam or Special steam cook. Steam and Fine Steam temp's (215 °F / 100 °C and 195 °F / 90 °C respectively) are non-adjustable. For Guided Steam Cook and Steam Reheat, follow display directions. Be sure to fill the water reservoir. (See Steam Bake / Steam Roast Recommendation Guide, this page.)

Mode	Instruction
Steam	A gentle cooking method using steam; steam vegetables, seafood, grain, eggs, and side dishes; suitable for all types of food, bottling, juicing, reheating.
Special steam cook	Consists of: Fine steam, Guided steam cook, Steam reheat.
Fine Steam	A very gentle cooking method suitable for seafood and chicken breast; food will be more tender and soft.
Guided steam cook	20 pre-programmed dishes are available in 5 categories: poultry and meat, fish, vegetables, eggs, and grain; cook time/temp are adjusted per the selected menu.
Steam Reheat	Heat with steam, then use convection or steam bake to finish; cook time/temp are adjusted per the selected menu; 10 pre-programmed dishes are available.

Using the Steam Oven

Steam Bake / Steam Roast Recommendation Guide

Steam mode	Level	Foods
Steam Bake	High	Rye breads, Desserts (Flan caramel)
	Med	Croissants, Pies, Reheats (Pizza, Casseroles)
	Low	Pastries
Steam Roast	High	-
	Med	Meats, Poultry
	Low	Turkey, Large meats

Recommended Cook Times for Steam Mode

1. Vegetables

Put veggies in the perforated tray at rack Level 2 with the unperforated tray at Level 1 to catch drippings.

Food	Size	Cook time
Artichokes, red beets	Whole	30 - 35 min
Broccoli, Cauliflower	Florets	10 - 15 min
Cabbage	Shredded	25 - 35 min
Potatoes (unpeeled)	Medium	30 - 40 min
Potatoes (peeled)	Quartered	20 - 25 min
Peas	-	5 - 10 min
Green beans	-	15 - 20 min
Carrots	Sliced	10 - 20 min
Kohlrabi	Slices	15 - 20 min
Leeks	Slices	4 - 6 min
Green asparagus	Whole	8 - 10 min
White asparagus	Whole	10 - 15 min
Spinach	-	4 - 6 min
Brussels sprouts	Whole	20 - 25 min
Zucchini	Slices	2 - 3 min

2. Meat, poultry, fish

Put food in the perforated tray at rack Level 2 with the unperforated tray at rack Level 1 to catch drippings.

Food	Size	Cook time
Pork chop	Sliced	15 - 25 min
Sausage	Whole	12 - 15 min
Chicken breast	25 lbs.	20 - 25 min
Fish fillet	25 lbs.	12 - 15 min
Whole fish	1 lb	20 - 25 min
Shellfish	-	10 - 15 min
Shrimp	-	8 - 10 min

Tip: Fine Steam is ideal for all seafood and chicken breasts, providing moist, tender results; the cooking method is same as Steam cooking but with a somewhat longer cook time.

Using the Steam Oven

3. Grain and side dish

Add water as the recipe instructs.

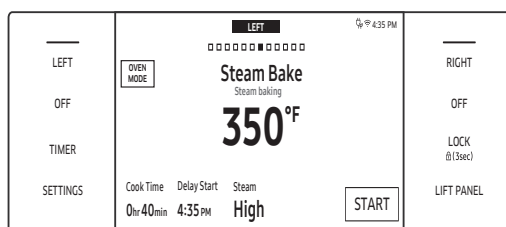
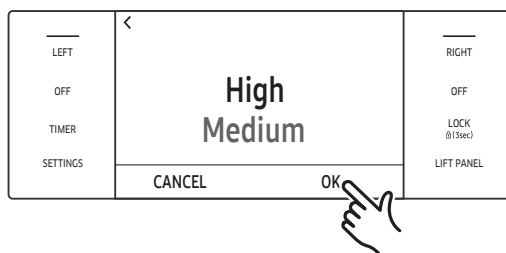
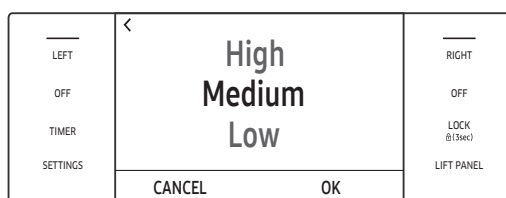
Food	Size	Accessories	Cooking mode	Cook time
Long grain rice	1 : 2	Unperforated steam tray	Steam cook	20 - 30 min
Brown rice	1 : 2	Unperforated steam tray	Steam cook	30 - 40 min
Basmati rice	1 : 1.5	Unperforated steam tray	Steam cook	20 - 30 min
Parboiled rice	1 : 1.5	Unperforated steam tray	Steam cook	10 - 20 min
Couscous	1 : 1	Unperforated steam tray	Steam cook	5 - 10 min
Lentils	1 : 2	Unperforated steam tray	Steam cook	35 - 45 min
Dumplings	-	Perforated + Unperforated	Steam cook	20 - 25 min
Eggs (soft-boiled)	Large	Perforated steam tray	Steam cook	10 - 13 min
Eggs (hard boiled)	Large	Perforated steam tray	Steam cook	14 - 18 min

4. Dessert, Compotes

Compotes use pear, berries, cherry, apple, plum, or rhubarb. Weigh the fruit, add 1/3 cup water, and add sugar and sugar and spices to taste.

Food	Size	Accessories	Cooking mode	Cook time
Yeast dumplings	-	Perforated steam tray	Steam cook	20 - 25 min
Rice pudding	-	Perforated steam tray	Steam cook	25 - 35 min
Yogurt	-	Perforated steam tray	Proof 95 °F	5 - 6 hrs
Fruit compote*		Perforated steam tray	Steam cook	10 - 20 min

Basic Baking and Broiling Instructions



Steam Bake / Steam Roast

- a. If you select either of these modes, steam-level info appears onscreen (default: Medium).
- b. Tap the Steam area to view the steam level adjustment screen. Set the level to Low, Medium, or High.
- c. Tap **OK**. The steam level adjustment appears.

1. The new steam level appears on the main screen. Important: Fill the water reservoir before cooking. (See [Using the Water reservoir](#), Pg. 9)
2. If using Cook Time or Delay Start, set it now (see Pgs. 51, 52 for directions), and tap **START**.

Using the Steam Oven



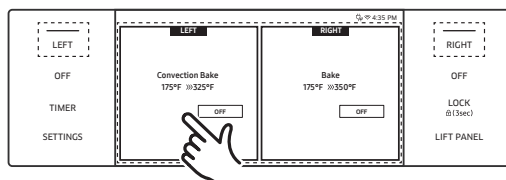
3. Tap **OFF** when cooking is done or to cancel cooking.

Broiling Recommendation Guide

The size, weight, thickness, start temperature, and your doneness preference affect broil times. This guide is based on meats at refrigerator temperature. Always use a broiler pan and its grid when broiling. Always preheat the oven for 5 minutes before broiling.

Food	Doneness	Size	Thickness	Level	Rack position	Cooking time (min)	
						1st side	2nd side
Hamburgers	Medium	6 patties	¾"	Hi	4	4:00 - 5:00	3:00 - 4:00
Beef steaks	Rare	-	1"	Hi	4	5:00 - 6:00	4:00 - 5:00
	Medium	-	1 - 1½"	Hi	4	6:00 - 7:00	5:00 - 6:00
Chicken pieces	Well done	2 lbs.	½ - ¾"	Lo	3	18:00 - 20:00	15:00 - 16:00
Pork chops	Well done	1 lbs.	1"	Lo	3	10:00 - 12:00	8:00 - 10:00
Fish fillets	Well done	-	¼ - ½"	Lo	3	8:00 - 9:00	5:00 - 6:00

Adjusting the Oven Temperature While Cooking



If using the ovens in single mode, tap the LEFT or RIGHT area onscreen, then tap the temperature area, and use the number pad to enter a new temp.

⚠ CAUTION

When opening/closing the door, stand aside to let hot air or steam escape safely before you remove food from or put food into the oven.

⚠ CAUTION

Preheating is important for good results when baking cakes, cookies, pastry, and breads. When the set temperature is reached, the oven beeps 6 times.

- The convection oven fan shuts off when the oven door is opened.
- Leaving the door open during convection cooking may shorten the life of the convection heating element.

📄 NOTE

- If the door is left open longer than 2 minutes when cooking, all heating elements shut off.
- When finished cooking, the cooling fan runs until the oven has cooled down.
- Drain residual water after steam cooking. Do not interrupt the draining cycle.
- After steam cooking, empty the reservoir so residual water does not affect other cook modes.
- If using an oven thermometer, its reading may differ from your set oven temperature.
- The convection fan normally cycles **on/off** during cooking.
- The oven door must be closed during broiling.

Using the Steam Oven

Using the Special Functions

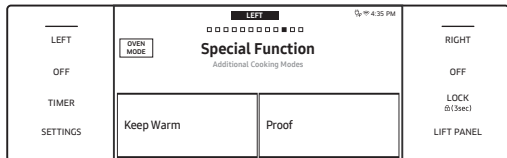
Special function provides 2 specialized cooking options.

Mode	Temperature range	48" Pro range Steam oven
Keep Warm	None	0
Proof	85 °F (29 °C) / 95 °F (35 °C)	0

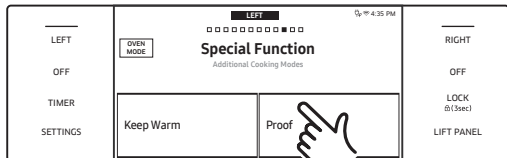
** A non-adjustable, factoryset temperature is applied for best performance.

Mode	Instruction
Keep Warm	<ul style="list-style-type: none"> Keeps cooked food at serving temp up to 3 hours after cooking is done. Use this mode individually or set it for timed or delay-timed cooking. Keep Warm temperature is not high enough to reheat cold food.
Proof	<ul style="list-style-type: none"> Provides optimal temperature for proofing bread dough. <ul style="list-style-type: none"> 48" range (left oven) : 85 °F / 95 °F; (right oven) : 95 °F / 105 °F For best results, start the Proof option with a cool oven.

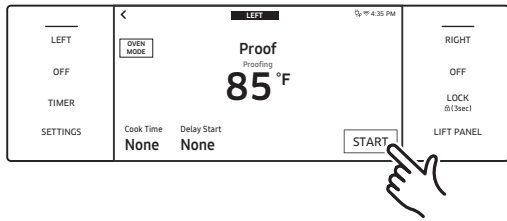
Using the Steam Oven



1. Swipe to the Special Function page.



2. Tap an option.



3. Set a temperature, and tap **START**.

NOTE

Keep Warm mode's temp (175 °F) is non-adjustable.

NOTE

- If the oven temperature is over 125 °F, Proof mode will not function properly.
- Do not use Proof for warming food. The temperature is insufficient to keep food warm.
- Place the dough in a heat-safe container on rack level 3 or 4, and cover it with a cloth or plastic wrap. (Ensure the oven fan cannot blow the plastic off.)
- To avoid prolonging proofing time, do not open the oven door.
- Of the four special functions, only Stone Bake Mode requires preheating.
- An error beeps if the temperature is beyond the set range.
- For Keep Warm mode, use rack level 1 or 2; for Proof mode, use rack level 3 or 4.

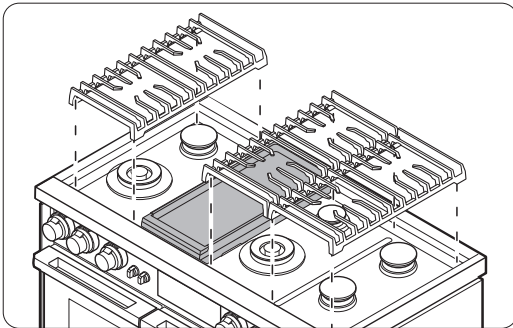
Cooktop Maintenance

⚠ WARNING

Turn off power, and let all surfaces cool before cleaning the cooktop. Wear rubber gloves, and be mindful of sharp edges.

Cleaning the Cooktop Surface

Clean up spills immediately.



1. Turn off all burners.
2. When the grates have cooled, remove them.
3. Clean the cooktop surface with a soft cloth. If spills run into gaps in the burners, remove the burner caps and head, and wipe up the spills.
4. When finished, reassemble the burners, and reposition the grates.

Cleaning Stainless-Steel Surfaces

Remove spills, spots, and grease stains with a soft, wet cloth.

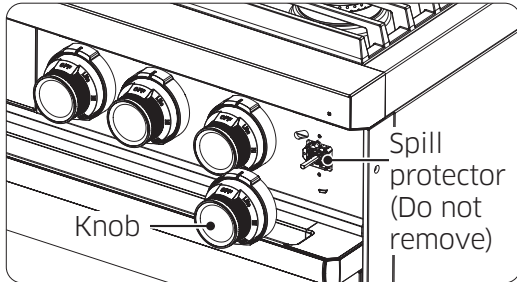
1. Apply an approved stainless-steel cleanser to a cloth or paper towel.
2. Clean one small area then another, rubbing with the grain if applicable.
3. Dry the surface with a soft, dry cloth.

⚠ CAUTION

- Do not use steel wool, sharp scrapers, or abrasive cleaners that can damage the range.
- Do not remove the cooktop basin. Gas lines can be damaged, perhaps causing a fire/malfunction.
- Do not pour water into the cooktop. The water could enter the mechanisms below, causing an electric-shock hazard or high levels of carbon monoxide from corroded gas valves/ports.
- Do not spray cleanser into the manifold holes. The ignition system inside them must remain dry.

Cooktop Maintenance

Cleaning the Control Knobs



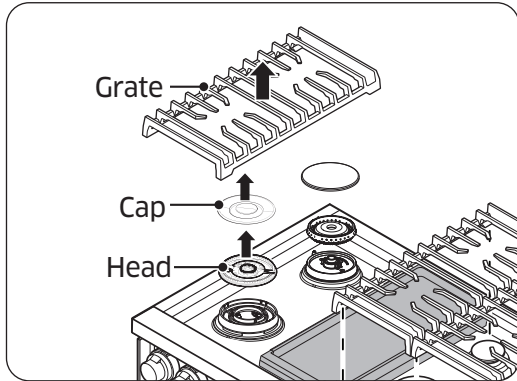
1. Pull the knobs off their valve stems.
2. Clean the knobs in warm, soapy water (not the dishwasher), then rinse and dry them thoroughly.
3. Clean steel surfaces with stainless-steel cleaner.
4. Re-attach the knobs.

CAUTION

Do not spray the control panel. The circuitry may be harmed and create an electric shock hazard.

Disassembling / Assembling the Burners and Grates

Turn off burners, and wait for all surfaces to cool down.



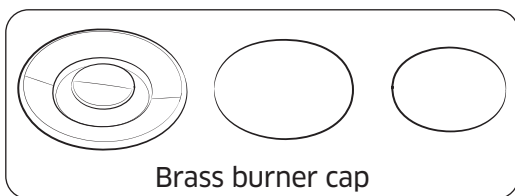
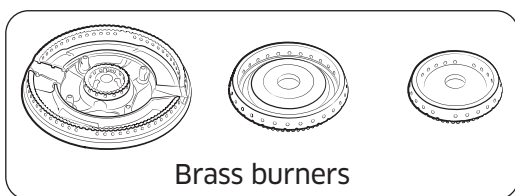
1. Remove the burner grates.
2. Remove the burner caps and heads.
3. Clean the grates and burner parts in warm, soapy water. (Do not use abrasive pads or cleaners.)
4. Rinse/dry grates and burner parts fully. (Ensure the burner ports are dry.)
5. Reassemble the burner heads, ensuring a starter electrode passes through the hole in each head.
6. Finish reassembly, ensuring each cap lies flat on each head.
7. Set the grates in their respective places.
8. Test all burners for proper function.

About Burner Caps and Heads

Wash the caps and heads in hot, soapy water, then rinse them under the tap. You may scour with a plastic scouring pad to remove burned-on residue. Use a sewing needle or twist tie to unclog the small holes in the burner head, if needed. After cleaning, return all burner caps and heads to their original positions.

⚠ CAUTION

Burner parts are not dishwasher safe. Do not use steel wool or scouring powders to clean them.

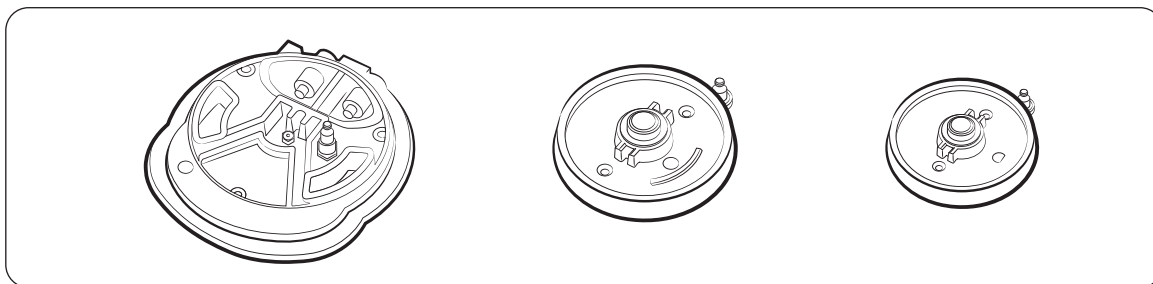


- The brass parts will discolor. However, this will not affect performance.
- After cleaning, check that all burner ports are unclogged.
- You may swap the original burner caps for porcelain caps.
- To remove burnt-on grease, soak the cap in a solution of 1 cup water and either 1 tbsp white vinegar or lemon juice. Do not clean with a metallic brush, which can damage the brass.

About Burner Bases

⚠ CAUTION

- The burner bases are not removable.
- Allow no water in the burner bases and the brass gas orifices.
- Wipe them clean with a damp cloth, being careful not to damage the bases. Dry the bases completely before using the cooktop.

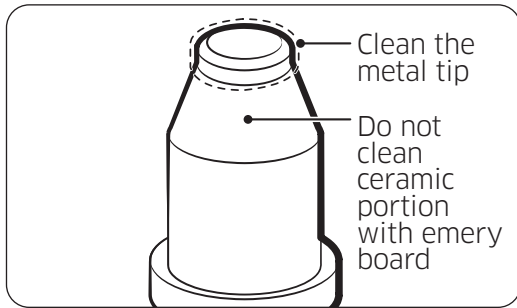


Cooktop Maintenance

About Electrodes

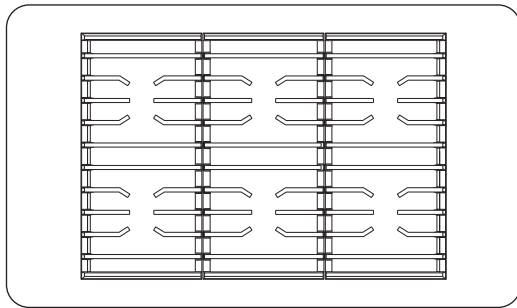
⚠ WARNING

Do not turn on the valve while touching the electrode; do not try to remove the electrode.



- Clean the electrode metal portion with a soft cloth.
- Clean/dry the white ceramic electrodes.
- Do not clean the igniters with water.
- Before reassembling the burners, push down gently on each electrode to verify it contacts the burner bases.

About the Grates and Wok Ring

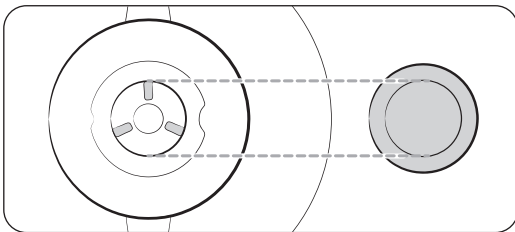
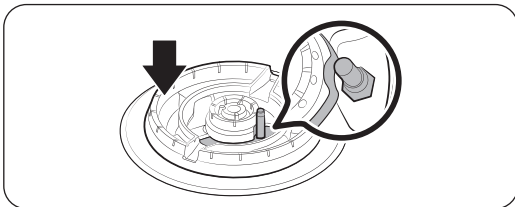
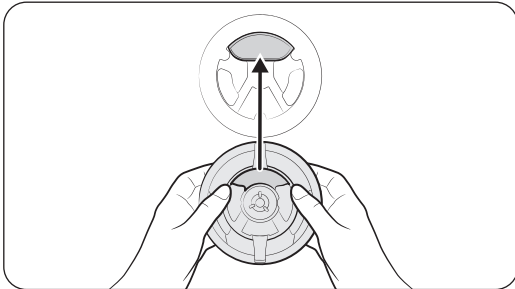


⚠ CAUTION

The grates are not dishwasher-safe. Wash them regularly and after spills. When the grates are safe to touch, remove and wash them in hot, soapy water, then rinse and dry them fully. Reposition the grates as instructed in this manual.

Assembling the Burner Caps and Heads

Dual-Burner Head / Caps



1. Orient the burner head so the electrode opening aligns with the electrode.

2. Install the burner head so the electrode passes through its hole in the head. (Ensure the burner head lies flat on the cooktop.)

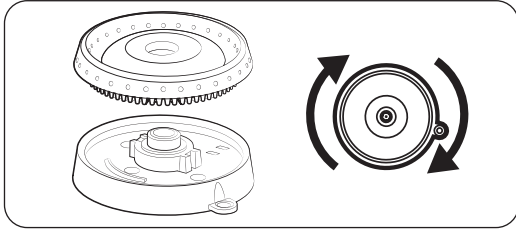
3. Match the burner caps to the burners by size, then install the caps on the burner heads.

⚠ CAUTION

Each cap fits a specific burner head. Verify that each cap is installed and lies flat on the correct head.

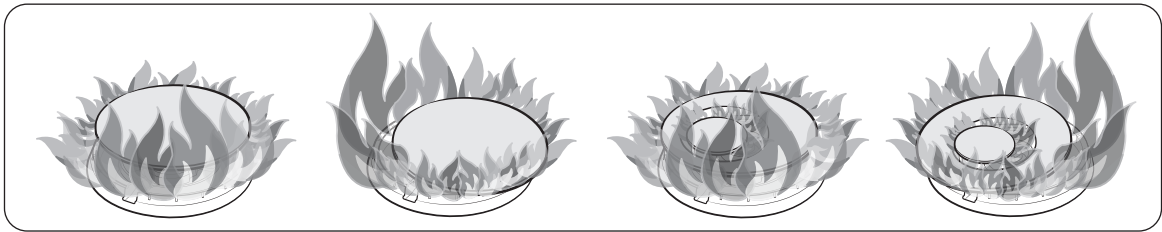
Cooktop Maintenance

Round Burner Head / Caps



1. Put the burner heads on the burner bases as shown at left. (The bottom of the head fits inside the top of the base.)
2. Twist each head back and forth slightly until it drops into place.
3. Place the burner caps atop the burner rings. The ridge around the bottom of each cap fits around the top of the ring.

After assembling the burners, test for proper function. Improper assembled parts will cause poor ignition or uneven flames (see below). If the flame and excessively yellow, shut off the burner immediately and let it cool. Adjust the burner caps, and relight the burner. A good flame is blue and even all around the burner.



Oven Maintenance

Oven Care and Cleaning

WARNING

Be sure electrical power is off and all surfaces are cool before cleaning any part of the appliance.

Cleaning Painted Parts and Decorative Trim

- For general cleaning, use a cloth with hot, soapy water.
- For more difficult residue, apply liquid detergent directly on the area, and leave for 60 minutes. Wipe with a damp cloth, and dry. Do not use abrasive cleaners; they can scratch oven surfaces.

Cleaning Stainless Steel

1. Shake a bottle of Stainless Steel Appliance Cleaner or Polish well.
2. Place a dab of stainless-steel-appliance cleaner on a damp cloth or paper towel.
3. Clean a small area, rubbing with the grain of the steel if applicable.
4. Dry and buff with a clean, dry paper towel or soft cloth.

NOTE

Some paper towels tend to scratch stainless, test on a inconspicuous location before using.

5. Repeat as needed.

NOTE

- Do not use a steel-wool pad. It will scratch the surface.
- If the range was last cleaned with a mineral-oil-based stainless-steel cleaner, wash the surface with dish soap and water before using the stainless-steel cleaner.

About the Convection Filter

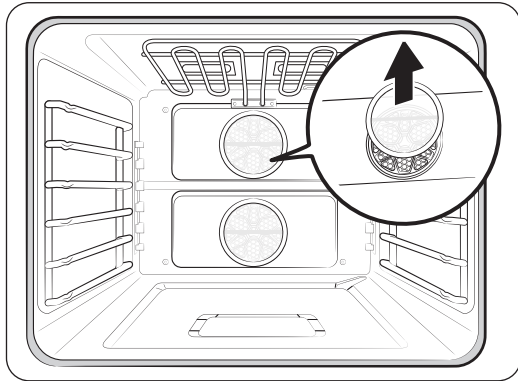
The convection filter is in the back of each oven chamber. Clean the filter regularly. If it becomes clogged, the oven's convection cooking modes will not work properly. Always remove the filter before self-cleaning.

NOTE

For best performance, re-install the convection filter before cooking. Not doing so will damage the blade and cookware, and potentially injure the user.

Oven Maintenance

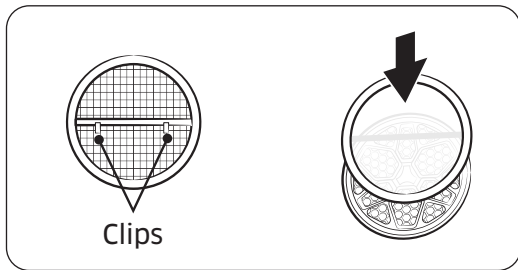
Removing / Re-installing the Convection Filter



When the oven is cool, grasp the edges of the filter, and gently push up.

Cleaning the filter

Put the filter on the top rack of a dishwasher, or soak the filter in hot, soapy water, then rinse it well. Dry the filter before re-installing it.



Centering the filter over the fan hole, carefully hook the metal clips (back of filter) over the metal bar across the hole. Do not scratch the oven's porcelain with the filter.

Oven Racks

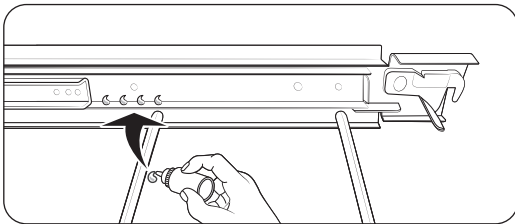
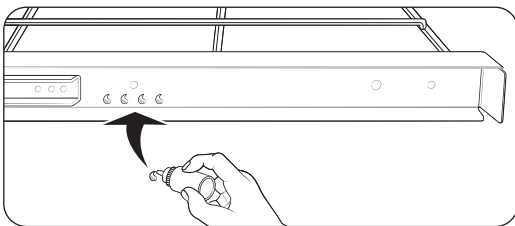
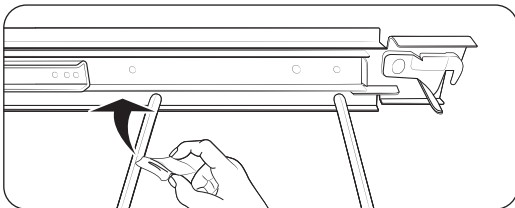
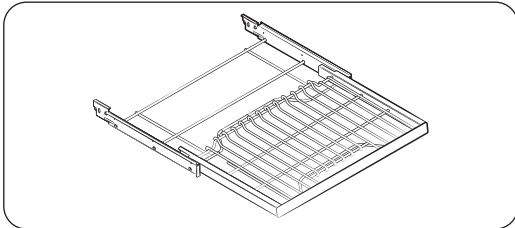
- If left in the oven during self-cleaning, the racks will discolor and will not slide as easily on their tracks. When the oven is cool, rub the rack sides with wax paper or a bit of oil to help the racks glide more easily on their tracks.
- Clean gliding racks by hand with an abrasive cleaner or steel wool. Do not let water or cleaner enter the rack slides.

NOTE

- Do not clean the racks in a dishwasher.
- If the rack does not slide easily, it can be treated with an FDA-approved graphite lubricant. (Graphite lubricant can be purchased from many stores and online.)

Lubricating the Gliding-Rack Slides

Do not lubricate the gliding rack with cooking spray or other such sprays.

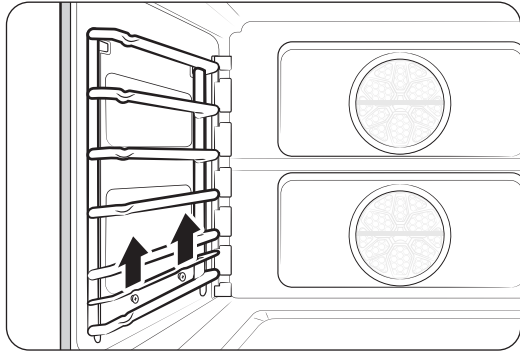


1. Remove the rack from the oven. (See **Using the Gliding Rack**, Pg. 37)
2. Fully extend the rack on a surface covered with newspaper or cloth.
3. With paper towel, wipe debris from the slide tracks.
4. Shake the graphite lubricant before opening it. Starting with the rack's left (front, back) slide mechanism, place 4 small drops of lubricant on the 2 bottom tracks of the slide close to the bearing carriers (see left).
5. Repeat for the right (front, back) slide mechanism.

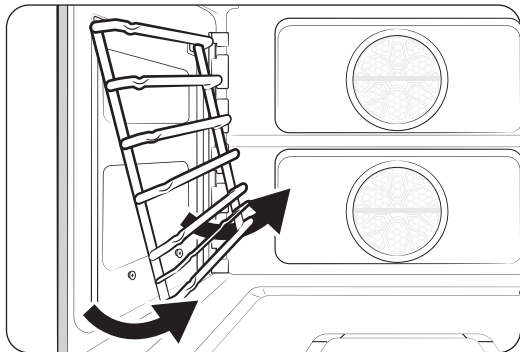
Oven Maintenance

Removing/Re-installing the Rack Supports

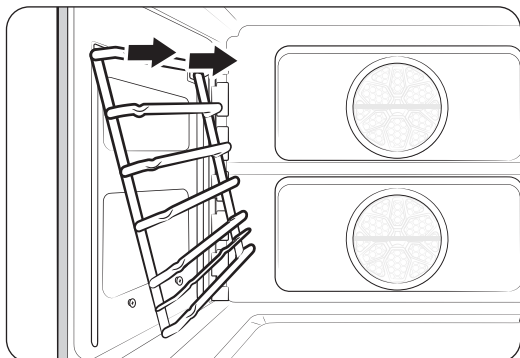
Rack supports can be removed for cleaning. (Self-Cleaning, GreenClean™ and Manual cleaning).



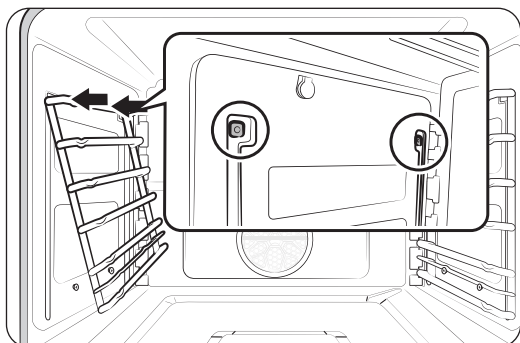
1. Grasp the bottom-center of the support, and lift.



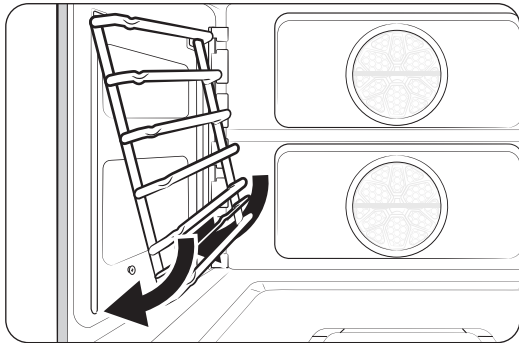
2. Swing the support bottom outward about 45°.



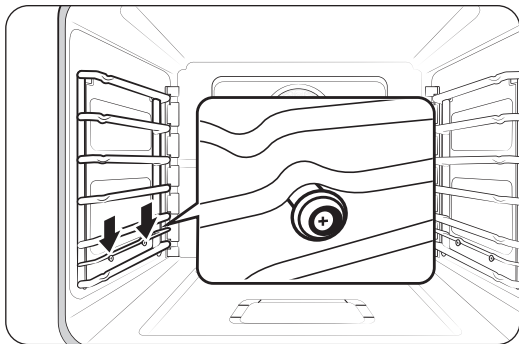
3. Pull the rack support from the mounting holes.



4. Insert the rack-support prongs into the holes near the top of the oven-chamber wall.

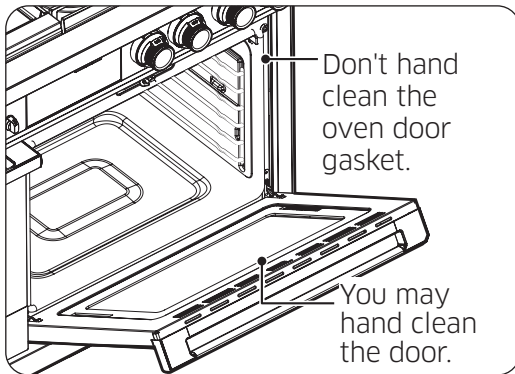


- Swing the bottom of the rack support toward the oven-chamber wall.



- Pull the rack support down, making sure the two humps on the support bar rest upon the nuts attached to the oven-chamber wall.

Cleaning the Oven Door



- Clean the oven door surfaces with soap and water, and rinse well. Clean the exterior door glass with glass cleaner. Do not immerse the door in water. Keep liquids out of the door vents. Do not use oven cleaners, cleansers, or abrasive cleaners on the outside of the door.
- DO NOT clean/rub/remove/damage the door gasket, which is made of a fragile material that is essential for a good seal.

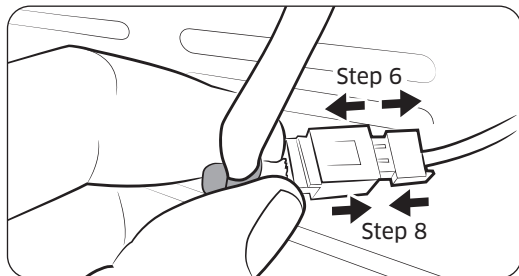
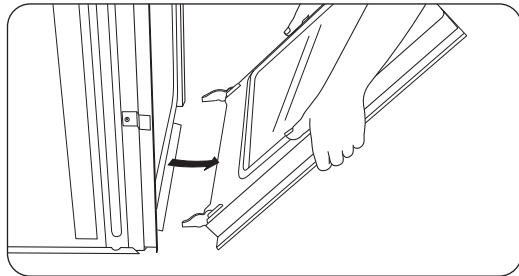
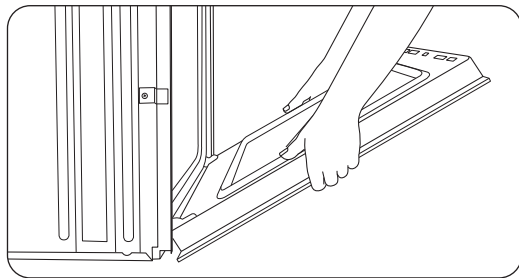
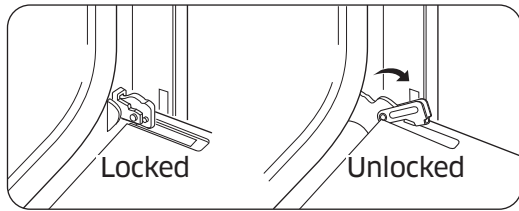
Oven Maintenance

Removing/Re-installing the Oven Door

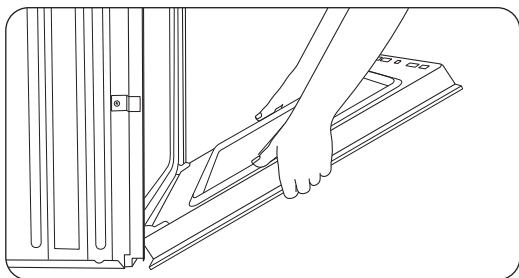
Spread a blanket on a stable, flat surface where you can lay the door once you have removed it.

CAUTION

The 30" oven door weighs 42 lbs (19 kg). Grasp the door with both hands. Do not lift by the handle.



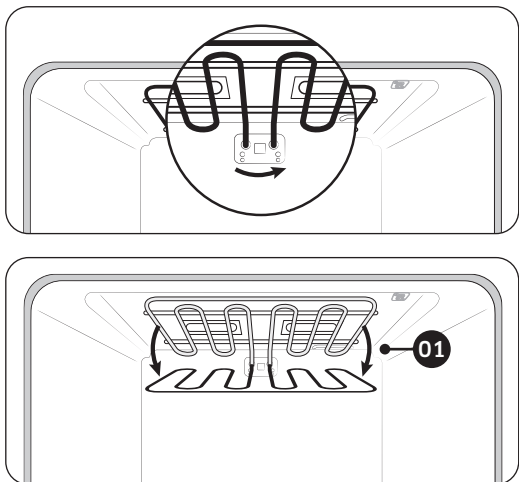
1. Open the oven door fully.
2. In the bottom corners of the oven door, flip the hinge locks toward you to unlock them. If the hinge locks are not fully forward (see left), you cannot remove the door.
3. Partially close the door to engage the hinge locks. (The door stops at this point.)
4. Grasp the sides of the door below the handle, and as you pull, gently jiggle the door side to side as needed to loosen it.
5. Set the door down without damaging the LED cable at the door's bottom right corner.
6. Disconnect the cable's wire harness, and set the door (handle-down), on the blanket you prepared.
7. When ready to re-install the door, stand at the top of the door, grasp each side below the handles, and take the door to the oven.
8. Set the door down, and connect the wire harness.



9. Holding the door at a 45° angle, insert the hinges in the slots. (A slight drop engages the hinges.)
10. Fully open the door. (If it does not open 90°, repeat Steps 7 - 9.)
11. Flip the hinge locks forward to lock them, and close the door. (The gap between door and control panel should be even; if not, the hinge on the wide end of the gap is not seated properly.)
12. Stuff the wire harness into its hole, and re-insert the rubber seal.

Changing the Oven Light

The oven light is a standard 40-watt halogen appliance bulb. It comes on when the oven door is opened. When the door is closed, touch LIGHT to turn the light **on/off**. The light does not work during self-cleaning. Wear gloves to halogen bulbs.



CAUTION

Before starting, ensure all oven surfaces are cool, then turn off power to the oven at the circuit-breaker panel or fuse box.

1. Support the broil element, and turn the round nut counterclockwise. The element loosens and tilts down. (The broil element is not removable; do not force it down or let it drop.)
2. Remove the glass cover, then the bulb cover.
3. Replace the halogen bulb, then the glass cover.
4. Lift the broil element into position, and turn the nut clockwise to hold the element in place.

Troubleshooting

If you experience an issue with your range, review the tables in this section to resolve it. If you cannot find a solution, call Dacor Customer Assurance 833-353-5483(USA), 844-509-4659(Canada) for assistance.

Gas Safety

Problem	Possible cause	Action
You smell gas.	Burner is ON , but burner is not lit.	Turn the burner knob to OFF .
	Gas leak.	<ul style="list-style-type: none"> • Evacuate the building. • From a neighbor's home (your phone may cause a spark that ignites the gas), immediately call the gas supplier, and follow their directions. (If you cannot reach your gas supplier, call the fire department.)

Surface Burner

Problem	Possible causes	Action
No burners light	Cooktop is unplugged.	Ensure power cord is plugged into a live, grounded outlet.
	Blown fuse/tripped circuit breaker.	Replace fuse/reset circuit breaker.
	Gas supply not on or improperly connected.	See the Installation Instructions.
Burner does not light	Control knob not set properly.	Push in knob and turn to flame symbol position.
	Burner caps not in place or burner base misaligned.	<ul style="list-style-type: none"> • Clean the electrodes. • Put burner cap on burner head. • Align burner base.
Burner clicks during operation	Control knob in flame position.	After burner ignites, turn knob to desired setting; if burner still clicks, contact service technician.
Burner not burning evenly	Burner improperly assembled.	See Pg. 85.
	Dirty burners.	Clean the burner components, see Pg. 82.
Very large or yellow burner flames	Wrong burner orifice installed.	Check burner orifice size; if you have wrong orifice (LP gas instead of natural gas), call service technician.

Control Display

Problem	Possible cause	Solution
Display goes blank	Bad fuse/tripped circuit breaker.	Replace fuse/reset circuit breaker.
Control panel not responding	Moisture/residue on panel; Control Lock enabled.	Remove moisture/residue, retry; disable Control Lock.

Oven

Problem	Possible cause	Solution
Oven not turning on	Oven not fully plugged in.	Verify the range plug is properly inserted in its outlet.
	Bad fuse/tripped circuit breaker.	Replace fuse/reset circuit breaker.
	Oven controls improperly set.	See Using the Steam Oven , Pg. 72.
	Oven too hot.	Let oven cool.
	Incomplete service wiring.	Call for service.
	Power outage.	Check house lights. call utilities provider if needed.
Oven light not turning on	Light loose/defective.	Tighten/replace lamp; call for service if door light stays off.
	Broken light switch.	Call for service.
Excessive smoke during broiling	Oven controls improperly set.	See Using the Steam Oven , Pg. 72.
	Meat too close to broil element.	Lower the rack one level.
	Meat not properly prepared.	Trim excess fat from around meat.
	Grease buildup in oven.	Clean oven more frequently.
Food not baking/roasting properly	Oven controls incorrectly set.	See Using the Steam Oven , Pg. 72.
	Mispositioned/unlevel rack.	See Using the Oven Racks , Pg. 36.
	Oven temp improperly set.	See Temp in Settings , Pg. 46.

Troubleshooting

Problem	Possible cause	Solution
Food not broiling properly	Serving size may be unsuitable.	See Broiling Recommendation Guide , Pg. 78 and retry.
	Rack not well positioned.	See Broiling Recommendation Guide , Pg. 78.
	Cookware not good for broiling.	Use cookware suitable for broiling.
	Voltage may be insufficient.	Preheat broiler 10 min's; see Broiling Recommendation Guide , Pg. 78.
Cook temp too hot/cold	Adjust oven temperature.	See Temp in Settings , Pg. 46.
Water is dripping	Type of food being cooked.	Not a malfunction; let oven cool, then wipe with dry dish towel.
Steam comes out seam between oven chassis and door		
Water stays in oven		
Boiling sounds when steam cooking	Water being heated by steam heater.	Not a malfunction.
Oven will not self-clean	Oven too hot for self-cleaning.	Let oven cool, then reset controls. (See Pg. 54)
	Oven controls incorrectly set.	See Self-Cleaning , Pg. 54.
	Control Lockout enabled.	Disable control lockout (see Pg. 68).
Excessive smoke while self-cleaning.	Excessive residue in the oven.	Press OFF ; open windows to vent smoke; wait for self-cleaning to cancel, and wipe up excessive soil, then restart self-cleaning.
Oven door not opening after self-cleaning.	Oven too hot.	Let oven cool.
Oven still dirty after self-cleaning.	Oven controls incorrectly set.	See Self-Cleaning , Pg. 54.
	Oven too heavily soiled.	Wipe up food residue, then start self-cleaning; very dirty ovens may need two self-cleaning cycles or longer cycles.

Problem	Possible cause	Solution
Steam emitting from vent.	When using convection, steam normally emits from oven vent.	This is normal operation.
	Large quantity of food cooking.	
Burning or oily odor emitting from vent.	New oven.	To eliminate the smell faster, set self-cleaning 3+hrs. (See Self-Cleaning , Pg. 54)
Strong odor.	Insulation in new oven.	Run oven empty on Bake at 400 °F for 1 hr.
Fan noise.	Convection fan cycling on/off .	This is normal operation.
Oven racks hard to slide.	Chrome racks were left in oven during self-cleaning.	Apply a dab of veg. oil to paper towel, and wipe oven-rack edges.
Oven door is locked.	Tripped circuit breaker or power outage while door was locked.	Enable Control Lockout, then unlock the control. See Using Control Lockout , Pg. 68.

Troubleshooting

Information Codes

Displayed code	Possible cause	Solution
C-d1	Occurs if door lock is mispositioned.	Press OFF , and restart oven. If issue persists, disconnect power to oven for at least 30 sec's, then reconnect. If issue is not resolved, call for service.
C-F0	Communication between Main and Sub PBA was interrupted.	
C-F2	Communication between Main and Touch was interrupted.	
C-20	Oven sensor is either open or short when oven is on.	
C-21	Occurs if internal temp is unusually high.	Restart appliance.
C-23	Temp probe sensor is short when oven is on.	Press OFF , and restart oven. If issue persists, disconnect power to oven for at least 30 sec's, then reconnect. If issue is not resolved, call for service.
C-30	PCB sensor is either open or short when oven is on.	
C-31	Occurs if PCB temp is unusually high.	Call for service
C-70	Steam sensor is either open or short when oven is on.	Press OFF , and restart oven. If issue persists, disconnect power to oven for at least 30 sec's, then reconnect. If issue is not resolved, call for service.
C-72	Problem with drain system.	
C-A2	Problem with cooling motor.	Call for service.

Warranty and Service

Warranty

What Is Covered

CERTIFICATE OF WARRANTIES: DACOR RANGES WITHIN THE 50 STATES OF THE USA, THE DISTRICT OF COLUMBIA, AND CANADA:

FULL 2-YEAR WARRANTY

The warranty applies only to Dacor Contemporary Style appliances sold to the original purchaser, starting from the original retail purchase date or closing date for new construction, whichever period is longer. The warranty is valid on Contemporary Style products purchased new from a Dacor Authorized Dealer or other Dacor-authorized seller.

If, within 2 years of the original purchase date, your Dacor Contemporary Style product malfunctions due to material or manufacturing defect, Dacor will restore the appliance to its proper function at no charge to you.

All cosmetic damage (e.g., scratches on stainless steel, paint/porcelain blemishes) to the appliance or included accessories must be reported to Dacor within 60 days of the original purchase date to qualify for warranty coverage.

LIMITATIONS OF COVERAGE

Service will be provided by a Dacor-designated service company during regular business hours. These providers are independent entities and not Dacor agents. Dealer display and model-home- display products with a production date greater than 5 years, products sold 'As Is,' and products installed for non-residential use (religious organizations, fire stations, bed & breakfast, spas, etc.) carry a 1-year parts warranty only. All delivery, installation, labor costs, and other service fees are the purchaser's responsibility.

The warranty is null and void:

- on any product whose serial numbers and tags have been altered/defaced/removed.
- if a non-ETL-/non-CUL-approved product is transported from the USA.

The owner must provide proof of purchase or closing statement for new construction upon request. All Dacor products must be accessible for service.

OUTSIDE THE 50 STATES OF THE USA, THE DISTRICT OF COLUMBIA, AND CANADA:

LIMITED FIRST-YEAR WARRANTY

If your Dacor product malfunctions within 1 year of the original purchase date due to a defect in material or workmanship, Dacor will furnish a new part, FOB factory to replace the defective part. Delivery, installation, labor costs, and other service fees are the purchaser's responsibility.

Warranty and Service

What Is Not Covered

- Slight color variations due to differences in painted parts, kitchen lighting, product location, and other factors.
- Service calls to educate the owner on product use and care.
- Service fees for travel to islands and remote areas (including but not limited to ferries, toll roads, and other travel expenses).
- Consequential or incidental damage (including but not limited to food or medicine loss, lost work time, or restaurant meals).
- Product failure under non-residential circumstances (e.g., commercial, industrial, b&b, religious organization).
- Product failure due to improper installation.
- Consumable parts (e.g., filters, light bulbs).
- Replacement of house fuses, fuse boxes, or resetting of circuit breakers.
- Damage due to so-called 'acts of God' (e.g., fire, flood, power outage/surge).
- Liability for damage to surrounding property (e.g., cabinetry, floors, ceilings, countertops).
- Breakage/discoloration/damage to glass, metal surfaces, plastic parts, trim, paint, or other cosmetic finish due to abuse, neglect, improper use/care.

Out-of-Warranty Products

Should you experience a service issue after the standard warranty period expires, contact us nonetheless.

Dacor reviews each issue and customer concern to provide the best possible solution for the customer under the individual circumstances.

THE REMEDIES IN THE ABOVE EXPRESS WARRANTIES ARE THE SOLE AND EXCLUSIVE REMEDIES; THUS, NO OTHER EXPRESS WARRANTIES ARE MADE, AND OUTSIDE THE 50 STATES OF THE UNITED STATES, THE DISTRICT OF COLUMBIA AND CANADA, ALL IMPLIED WARRANTIES, INCLUDING BUT NOT LIMITED TO, ANY IMPLIED WARRANTY OF MERCHANTABILITY OR FITNESS FOR A PARTICULAR USE OR PURPOSE, ARE LIMITED IN DURATION TO 1 YEAR FROM THE ORIGINAL PURCHASE DATE. DACOR SHALL NOT BE LIABLE FOR INCIDENTAL EXPENSE OR CONSEQUENTIAL DAMAGES. SHOULD DACOR PREVAIL IN ANY LAWSUIT, DACOR SHALL BE ENTITLED TO REIMBURSEMENT OF ALL COSTS AND EXPENSES, INCLUDING ATTORNEY'S FEES, FROM THE DACOR CUSTOMER. NO WARRANTIES, EXPRESS OR IMPLIED, ARE MADE TO ANY BUYER FOR RESALE.

Some states do not allow limitations on how long an implied warranty lasts, or do not allow the exclusion or limitation of inconsequential damages; therefore, the above limitations or exclusions may not apply to you.

This warranty gives you specific legal rights, and you may also have other rights that vary from state to state.

Appendix

Question

For question about features, operation or performance, parts, accessories, or service. Please contact 833-353-5483(USA), 844-509-4659(CANADA) for warranty registration of your Dacor product.

Model name & serial number

Both the model name and the serial number are labeled on the left side of product.

For later use, write down the information onto the current page.

Model Name _____

Serial Number _____

Open Source Announcement

The software included with this range contains open-source software. You may obtain the complete corresponding source code up to 3 years after the last shipment of this model by emailing: oss.request@samsung.com.

You may also obtain the full corresponding source code in a physical medium (e.g., CD-ROM) at a minimal charge.

This URL: http://opensource.samsung.com/opensource/OVEN_HKM_TZ/seq/0 leads to the source-code download page and open-source license information regarding this model.



MEMO

dacor

Dacor • 14425 Clark Avenue, City of Industry, CA 91745 • Phone: 833-353-5483(USA), 844-509-4659(CANADA) • Fax: (626) 403-3130 • www.dacor.com

dacor

Manual del usuario

Estufa Contemporary Style Pro

DOP48C96D**



DG68-01508A-00

⚠ ADVERTENCIA

Nunca descuide la sección de cocción de la superficie superior de este artefacto

- El ignorar esta advertencia podría provocar un incendio, una explosión o un peligro de quemadura que podría ocasionar daños materiales, lesiones o la muerte.
- Si se produce un incendio, manténgase alejado del artefacto y llame a los bomberos de inmediato.

NO INTENTE APAGAR UN INCENDIO DE ACEITE O GRASA CON AGUA.

ADVERTENCIA: No seguir las instrucciones de este manual con exactitud puede provocar un incendio o una explosión que podría ocasionar daños materiales, lesiones o la muerte.

- **NO** guarde ni use gasolina u otros productos inflamables cerca de este artefacto.
- **SI HAY OLOR A GAS:**
 - **NO** encienda ningún otro artefacto.
 - **NO** toque ningún interruptor eléctrico.
 - **NO** use ningún teléfono dentro del edificio.
 - Llame inmediatamente a su proveedor de gas desde el teléfono de un vecino. Siga las instrucciones del proveedor.
 - Si no puede comunicarse con el proveedor de gas, llame al departamento de bomberos.
- La instalación y el servicio técnico deben ser realizados por el proveedor de gas, o un instalador o agencia de servicio técnico calificados.

DISPOSITIVO ANTINCLINACIÓN

ADVERTENCIA

Para reducir el riesgo de inclinar la estufa, esta se debe asegurar con un dispositivo antinclinación correctamente instalado. **DESPUÉS DE INSTALAR LA ESTUFA, CONFIRME QUE EL DISPOSITIVO ANTINCLINACIÓN SE HAYA INSTALADO CORRECTAMENTE Y VERIFIQUE QUE ESTÉ CORRECTAMENTE ENGANCHADO.** Consulte el manual de instalación para ver las instrucciones.

- a) Si el dispositivo antinclinación no está instalado, existe el riesgo de muerte si un niño o adulto inclina la estufa.
- b) Verifique que el dispositivo antinclinación se haya instalado y enganchado correctamente en la parte trasera derecha (o trasera izquierda) de la base de la estufa.
- c) Si mueve la estufa y la vuelve a colocar en su lugar, asegúrese de que el dispositivo antinclinación se vuelva a enganchar en la parte trasera derecha o izquierda de la base de la estufa.
- d) No opere la estufa sin que el dispositivo antinclinación esté colocado ni enganchado. De lo contrario, podría provocar quemaduras graves o incluso la muerte en niños o adultos.



ADVERTENCIA

No pise la tapa del horno de la estufa ni se incline ni se siente sobre ella. Esto podría causar que la estufa se incline y provoque quemaduras o lesiones graves.

Confirme que el dispositivo antinclinación esté correctamente instalado. Luego, para verificar que el dispositivo antinclinación esté enganchado, sujete el borde trasero superior de la estufa e intente inclinarla hacia adelante cuidadosamente. El dispositivo antinclinación debería evitar que la estufa se incline más que unas pocas pulgadas hacia adelante.

Si aleja la estufa de la pared por algún motivo, asegúrese de que el dispositivo antinclinación se enganche correctamente cuando vuelva a colocar la estufa contra la pared. Si no está enganchado, existe el riesgo de que la estufa se caiga y provoque lesiones si usted o un niño se encuentran de pie sobre la puerta abierta, o si se sientan o inclinan sobre ella.

Nunca retire por completo las patas niveladoras. Si las retira por completo, la estufa no estará asegurada correctamente al dispositivo antinclinación.

Aviso normativo

1. Aviso del sistema de radio

PRECAUCIÓN

Los cambios o modificaciones que no estén expresamente aprobados por la parte responsable del cumplimiento pueden anular la autoridad del usuario para utilizar este artefacto. El equipo de habilitación remota instalado en este producto cumple con la parte 15 de las reglas de la Comisión Federal de Comunicaciones (FCC) y con los estándares de sindicación realmente simple (RSS) con exención de licencia del Departamento de Innovación, Ciencia y Desarrollo Económico de Canadá. El funcionamiento está sujeto a dos condiciones:

- 1)** Este equipo puede no producir interferencias perjudiciales.
- 2)** Este equipo debe aceptar todas las interferencias recibidas, incluidas interferencias que provoquen un funcionamiento no deseado.

Para los productos disponibles en los mercados de EE. UU. y Canadá, solo se encuentran disponibles los canales 1~11. No puede elegir ningún otro canal.

1. DECLARACIÓN del sistema de radio:

Este equipo se sometió a pruebas y se demostró que se encuentra dentro de los límites para considerarse un dispositivo digital Clase B de acuerdo con la parte 15 de las reglas de la FCC y el estándar ICES-003 de Canadá. Estos límites fueron diseñados para brindar una protección razonable contra las interferencias perjudiciales en una instalación residencial. Este equipo genera, utiliza y puede irradiar energía de radiofrecuencia y, si no se instala y se utiliza según las instrucciones, puede producir interferencias perjudiciales en las radiocomunicaciones. Sin embargo, no existe garantía de que no se produzca interferencia en una instalación particular. Si este artefacto produce interferencias perjudiciales en la recepción de radio o televisión, determinadas al prender o apagar el equipo, se recomienda al usuario que intente corregir la interferencia tomando alguna de las siguientes medidas:

-
- Reorientar o trasladar la antena receptora
 - Aumentar la separación entre el equipo y el receptor
 - Conectar el equipo a un tomacorriente que esté en un circuito diferente al de la radio o el televisor
 - Solicitar ayuda al distribuidor o a un técnico especializado

DECLARACIÓN DE EXPOSICIÓN A LA RADIACIÓN:

Este equipo se encuentra dentro de los límites de exposición a la radiación de la FCC y el estándar RSS-102 de la industria de Canadá. El equipo debe ser instalado y operado si hay al menos 8" (20 cm) entre el radiador y su cuerpo. Este dispositivo y sus antenas no deben ser localizados ni operados en el mismo sitio de otra antena o transmisor.



A nuestros valiosos clientes:

¡Felicidades por la compra de lo último en productos Dacor! Nuestra combinación única de características, estilo y desempeño nos hace una gran incorporación a su hogar.

Para familiarizarse con los controles, las funciones y todo el potencial de su nuevo artefacto Dacor, lea detalladamente este manual de uso y cuidado, comenzando con la sección **Antes de comenzar**.

Todos los artefactos Dacor están diseñados y fabricados con calidad y orgullo, mientras trabajamos dentro del marco de nuestro valor de compañía. Si tiene un problema con su producto, primero revise la sección de Solución de problemas de este manual como guía. Encontrará sugerencias y soluciones útiles antes de llamar al servicio técnico.

Los valiosos comentarios de los clientes nos ayudan a mejorar nuestros productos y servicios constantemente. Si necesita ayuda con su producto, siéntase libre de contactar a nuestro Equipo de atención al cliente.

Servicio de seguros de Dacor

- **USA**
Samsung Electronics America, Inc.
85 Challenger Road
Ridgefield Park, NJ 07660
- **Canadá**
Samsung Electronics Canada Inc.
2050 Derry Road West, Mississauga,
Ontario L5N 0B9 Canada

Teléfono: 833-353-5483(E.E. UU.), 844-509-4659(Canadá)

Horario de atención: Lunes a viernes de 8:00 a. m. a 8:00 p. m. del horario del Pacífico

Sitio web: www.dacor.com

Gracias por elegir Dacor para su hogar. Somos una compañía creada por familias para familias, y nos dedicamos a servirles. Estamos seguros de que su nuevo producto Dacor tendrá un alto nivel de desempeño y será una fuente de disfrute durante muchos años.

Saludos,

The Dacor Customer Service Team

Contenido

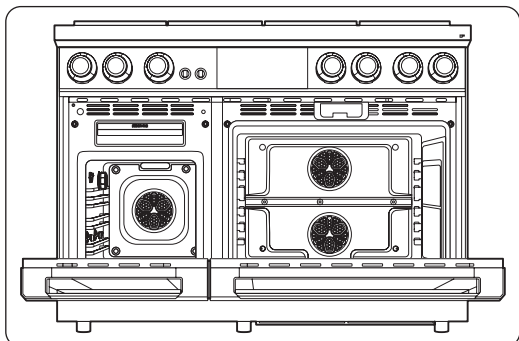
Antes de comenzar	9
Nota importante para el propietario	9
Consejos para ahorrar energía	9
Uso de la reserva de agua	9
Acerca del conducto de ventilación del horno	11
Instrucciones de seguridad importantes	12
Lea todas las instrucciones antes de usar este artefacto	12
Símbolos usados en este manual	12
Advertencia de la Propuesta 65 de California	13
Mancomunidad de Massachusetts	13
Seguridad general	13
Seguridad contra incendios	14
Seguridad del gas	15
Seguridad eléctrica y de conexión a tierra	16
Seguridad de la instalación	17
Seguridad de la ubicación	18
Seguridad de la placa de cocción	19
Seguridad del horno	21
Seguridad del horno autolimpiante	21
Resumen	22
Características externas	22
Panel de control	23
Pantalla	24
Qué se incluye	25
Uso de la placa de cocción	26
Acerca de los quemadores	26
Acerca de la combustión de los quemadores	27
Uso de utensilios de cocina adecuados	28
Características especiales de la placa de cocción	29
Acerca de las rejillas	29
Comal (eléctrico)	30
Comal (accesorios de compra adicionales)	32
Acerca del anillo para wok	34
Uso del horno básico	35
Configuración básica: reloj, fecha y hora, e idioma	35
Uso de las parrillas del horno	36
Uso de la parrilla deslizante	37
Uso de la sonda de temperatura	39
Acerca de las funciones del horno	41
Programación del modo de cocción	46
Programación de la temperatura de cocción	46

Contenido

Instrucciones básicas para hornear y asar a la parrilla	47
Uso del temporizador de cocina	49
Uso de la cocción programada	51
Uso del modo Delay Start (Inicio retardado)	52
Uso de las funciones de limpieza	53
Uso de la función Shabat	60
Uso de las funciones especiales	62
Uso del modo Chef	65
Uso del Control Inteligente	66
Encendido del horno de forma remota	66
Uso de la traba de controles	67
Uso de la configuración	67
Uso del horno de vapor	72
Uso de las parrillas del horno	72
Instrucciones básicas para hornear y asar a la parrilla	77
Uso de las funciones especiales	79
Mantenimiento de la placa de cocción	81
Limpieza de la superficie de la placa de cocción	81
Limpieza de superficies de acero inoxidable	81
Limpieza de las perillas de control	82
Armado y desarmado de los quemadores y las rejillas	82
Acerca de las tapas y los cabezales de los quemadores	83
Acerca de las bases de los quemadores	83
Acerca de los electrodos	84
Acerca de las rejillas y el anillo para wok	84
Armado de las tapas y los cabezales de los quemadores	85
Mantenimiento del horno	87
Cuidado y limpieza del horno	87
Extracción y reinstalación de la puerta del horno	92
Cambiar la luz del horno	93
Solución de problemas	94
Garantía y servicio técnico	99
Garantía	99
Anexo	101
Pregunta	101
Nombre del modelo y número de serie	101
Anuncio de código abierto	102

Antes de comenzar

Nota importante para el propietario



Instalador

- Para obtener mejores resultados, lea este manual con atención antes de comenzar con la instalación.
- Deje este manual al usuario.
- Escriba los números de serie y el modelo de la estufa en este manual como referencia para el servicio técnico y el mantenimiento.

Usuario

- Conserve este manual para uso personal y profesional.

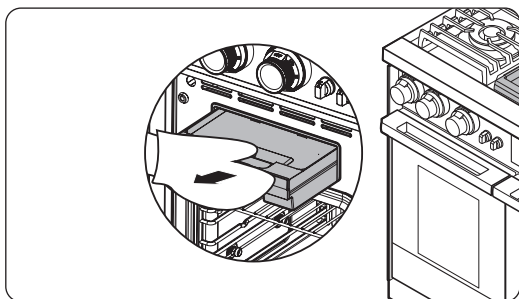
Limpie el horno por completo antes de usarlo por primera vez. Después, ventile bien la cocina, quite los accesorios y encienda el horno en modo Hornear a 400 °F durante 1 hora. Percibirá un olor distintivo. Eso es normal.

Consejos para ahorrar energía

- Durante la cocción, la puerta del horno debe permanecer cerrada, excepto cuando tenga que dar vuelta los alimentos. Dejar la puerta cerrada también mantiene la temperatura del horno, lo que ahorra energía.
- Si el tiempo de cocción es superior a 30 minutos, puede apagar el horno entre 5 y 10 minutos antes del final de la cocción. El calor residual terminará de cocinar la comida.
- Planifique el uso del horno para evitar apagarlo entre las tareas de cocción.
- Cuando sea posible, cocine varios alimentos a la vez.

Uso de la reserva de agua

Esta función se usa con funciones de vapor: Steam Bake (Hornear al vapor), Steam Roast (Asar al vapor), GreenClean™, Steam (Vapor), etc. También se utiliza para eliminar la calcificación del agua de las paredes del horno, en particular después de usar las funciones de vapor. Llénela con agua antes de usarla.



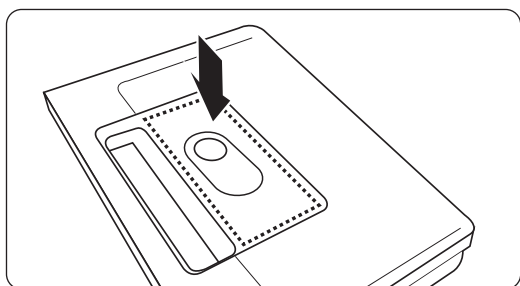
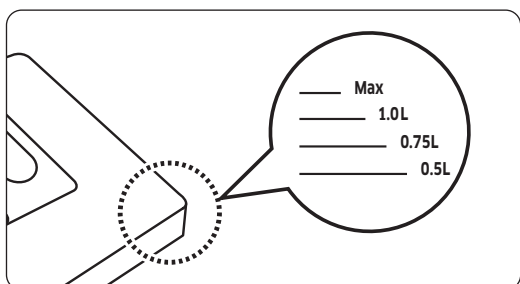
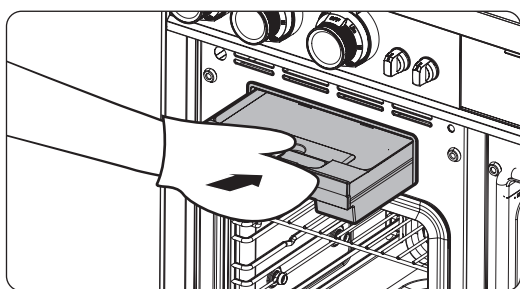
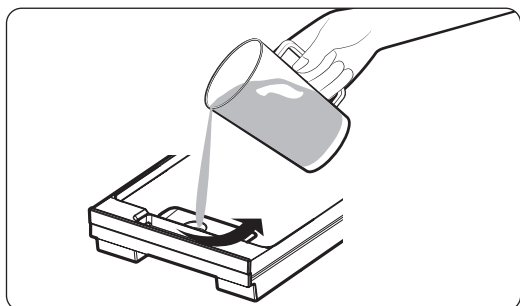
1. Retire la reserva de agua.

Estufa de 48" (122 cm): la reserva está del lado izquierdo, sobre el horno. Para quitarla, tome el mango y tire de él.

NOTA

- Es posible que la reserva esté caliente por el uso del horno. Si es así, sujétela con un guante de cocina.
- La reserva se puede quitar por completo de la estufa. Revise el nivel del agua y agregue más si es necesario. Puede agregar agua sin retirar la reserva por completo.

Antes de comenzar



- Abra la tapa de la reserva y llénela con agua del grifo.

NOTA

Puede abrir la reserva quitando la tapa de goma o la parte superior de plástico transparente. Para no derramar agua, se recomienda llenar de agua a través del orificio tras quitar la tapa de goma.

- Vuelva a colocar la tapa o el plástico transparente.
- Estufa de 48" (122 cm): Empuje la reserva en la abertura por completo.

PRECAUCIÓN

La reserva y la ranura se calientan durante la cocción. Use guantes de cocina para manipular la reserva durante la cocción e inmediatamente después.

- Cierre la puerta del horno.

NOTA

No supere la línea máxima. Capacidad máxima de la reserva por modelo:

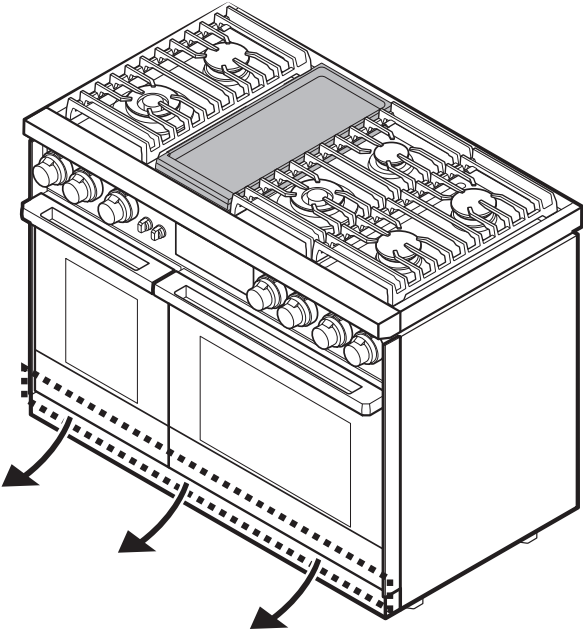
- DOP48C96D**: 1500 ml

NOTA

Cierre la tapa y la parte superior de la reserva de agua antes de usar el horno.

Acerca del conducto de ventilación del horno

El conducto de ventilación del horno está debajo de la puerta. Una buena circulación de aire evita los problemas de combustión de los quemadores y garantiza un buen funcionamiento. No bloquee el conducto de ventilación ni sus alrededores. Tenga cuidado al estar cerca del conducto. El vapor puede quemar la piel y derretir algunos objetos.



Instrucciones de seguridad importantes

Lea todas las instrucciones antes de usar este artefacto

- Todos los equipos de gas y eléctricos con piezas móviles pueden ser peligrosos. Asegúrese de leer la información importante de seguridad de este manual. Se deben seguir las instrucciones para minimizar el riesgo de daños materiales, lesiones o muerte.
- Guarde este manual en un lugar accesible para poder consultarlo de ser necesario.

Símbolos usados en este manual

ADVERTENCIA

Peligros o prácticas poco seguras que pueden provocar lesiones personales graves o la muerte.

PRECAUCIÓN

Peligros o prácticas poco seguras que pueden provocar descargas eléctricas, lesiones personales o daños a la propiedad.

NOTA

Consejos e instrucciones útiles

Estos símbolos de advertencia están pensados para evitar daños a la propiedad y lesiones personales. Sígalos al pie de la letra.

Advertencia de la Propuesta 65 de California

ADVERTENCIA

Cáncer y daño reproductivo: www.P65Warnings.ca.gov

Mancomunidad de Massachusetts

Quien instale este producto debe ser un plomero autorizado o un gasista calificado o autorizado del estado de Massachusetts. Cuando se utilicen válvulas de bola para el cierre del gas, se debe usar una manija en forma de "T". No se deben conectar varios conductos flexibles de gas en serie.

Seguridad general

ADVERTENCIA

Para reducir el riesgo de incendio, descargas eléctricas, lesiones y muerte, respete estas precauciones.

- **No toque** ninguna superficie, componente ni mecanismo de la estufa durante la cocción o inmediatamente después de cocinar.
- **Conozca** dónde se encuentra la válvula de entrada de gas de la estufa y cómo cerrarla.
- **Asegúrese** de que el **dispositivo antinclinación** esté correctamente instalado en la estufa. Consulte las instrucciones de instalación para obtener más información.
- **No permita que los niños se acerquen** a la estufa. No permita que los niños entren o se suban a la estufa. No les permita jugar con la estufa ni con ninguna de sus piezas. No deje a los niños sin supervisión en la cocina donde se esté usando la estufa. Para la seguridad de los niños, se recomienda usar la función de traba de controles y puerta.
- **Retire** todo el empaquetado antes de utilizar la estufa para evitar que el material se incendie. Mantenga el empaquetado lejos de los niños. Deseche correctamente el empaquetado apenas desempaque la estufa.
- **No deje** objetos que puedan despertar el interés de los niños sobre la estufa ni a su alrededor.
- **No utilice** la estufa si está dañada, si funciona de manera incorrecta o si le faltan piezas.
- **No utilice** la estufa como calentador de ambiente. Utilice la estufa solo para cocinar.
- **No utilice** limpiadores o cubiertas para horno dentro de este ni alrededor de alguna de sus piezas.
- **Utilice** únicamente agarradores aislantes secos.
- **No utilice** la estufa para calentar comida en envases sellados.
- **No golpee** el vidrio del horno.

Instrucciones de seguridad importantes

- Cuando deseche la estufa, **corte** el cable de alimentación y **retire** la puerta para evitar que los niños y los animales queden atrapados.
- **Desenchufe** la estufa antes de realizar tareas de servicio técnico o de mantenimiento.
- **Asegúrese** de que toda la carne roja y de ave se cocine completamente. La carne roja siempre se debe cocinar a una temperatura interna de 160 °F (71 °C). La carne de ave siempre se debe cocinar a una temperatura interna de 180 °F (82 °C).
- No intente operar los quemadores de la estufa de encendido eléctrico durante un corte eléctrico.
- Mantenga el área del artefacto libre de materiales combustibles, gasolina y otros vapores y líquidos inflamables.
- **Indíqueles** a los niños que no deben tocar ni jugar con los controles de la estufa ni con ninguna de sus piezas. Se recomienda utilizar la función de traba de controles y de la puerta para reducir el riesgo de uso indebido por parte de los niños.
- Las cortinas de aire u otras campanas extractoras, que funcionan dirigiendo el flujo de aire hacia abajo, hacia una estufa, no deben utilizarse junto con una estufa a gas, a menos que la campana y la estufa hayan sido diseñadas para eso y probadas de acuerdo con la norma para estufas domésticas a gas, ANSI Z21.1 • CSA1.1, y que figuren en la lista de un laboratorio de análisis independiente como aptas para uso combinado.

Seguridad contra incendios

ADVERTENCIA

Para reducir el riesgo de incendio, descargas eléctricas, lesiones y muerte, respete estas precauciones:

- **No almacene, coloque ni utilice** materiales combustibles (p. ej., papel, plástico, agarradores aislantes, ropa de cama, gasolina o alcohol) cerca de la estufa.
- **No use** prendas amplias ni colgantes mientras utiliza la estufa.
- Para evitar la acumulación de grasa, **limpie regularmente** las ventilaciones.
- **No permita** que los agarradores aislantes u otros materiales inflamables toquen un elemento caliente. No utilice una toalla ni otra tela voluminosa en lugar de un agarrador aislante.
- **No apague** un incendio por grasa con agua. En lugar de usar agua, apague la fuente de calor, y extinga el incendio con una tapa bien ajustada o utilice un extinguidor multipropósito, de polvo químico seco o de espuma.
- **No caliente** comida en envases cerrados. La acumulación de presión puede provocar que los envases exploten y ocasionar lesiones.
- No utilice el horno como espacio de almacenamiento. El papel y otros materiales inflamables que se almacenen en el horno pueden incendiarse.
- **No coloque** ningún material ni elemento combustible alrededor de la estufa.

Seguridad del gas

⚠ ADVERTENCIA

Para reducir el riesgo de incendio, descargas eléctricas, lesiones y muerte, respete estas precauciones:

Si hay olor a gas:

- Cierre la válvula y no use la estufa.
- No prenda fósforos, velas o cigarrillos.
- No encienda artefactos a gas o eléctricos.
- No toque ningún interruptor eléctrico ni enchufe a un cable de alimentación.
- No use ningún teléfono dentro del edificio.
- Evacúe a todas las personas del edificio.
- Llame inmediatamente al proveedor de gas desde el teléfono de un vecino. Siga las instrucciones del proveedor de gas.
- Si no puede comunicarse con el proveedor de gas, llame al departamento de bomberos.

Verificación de pérdidas de gas

La prueba de pérdidas del artefacto debe realizarse de acuerdo con las instrucciones del fabricante.

No utilice una llama para verificar si hay pérdidas de gas. Utilice un cepillo para esparcir una solución de agua jabonosa alrededor del área que desea comprobar. Si hay una pérdida de gas, aparecerán pequeñas burbujas en la solución. En caso de duda, pida ayuda a un profesional.

Instrucciones de seguridad importantes

Seguridad eléctrica y de conexión a tierra

ADVERTENCIA

Para reducir el riesgo de incendio, descargas eléctricas, lesiones y muerte, respete estas precauciones:

- Enchufe la estufa a un tomacorriente de conexión a tierra de 3 clavijas.
- **No retire** la clavija de conexión a tierra.
- **No utilice** un adaptador ni un alargue.
- **No utilice** un enchufe ni cable de alimentación dañados ni un tomacorriente flojo.
- **No modifique** el enchufe, el cable de alimentación ni el tomacorriente.
- **No coloque** un fusible en el circuito neutral o de conexión a tierra.
- Utilice un disyuntor dedicado de 240 VCA, 60 Hz y 50 A para esta estufa. Se recomienda un fusible de retardo o un disyuntor. No enchufe más de un artefacto en este circuito.
- **No conecte** el cable a tierra a cañerías de tuberías de plástico, de gas o de agua caliente.
- Esta estufa **debe estar conectada a tierra**. Si la estufa funciona incorrectamente o se rompe, la conexión a tierra reduce el riesgo de descarga eléctrica, lo que facilita un camino seguro para la corriente. El cable de alimentación de la estufa tiene un enchufe de conexión a tierra, que debe estar conectado firmemente a un tomacorriente que esté correctamente instalado y conectado a tierra de acuerdo con la normativa local. Si no está seguro de que el tomacorriente esté conectado correctamente a tierra, un electricista matriculado debe verificarlo.
- La estufa incluye un enchufe de conexión a tierra de 4 clavijas. Este cable debe enchufarse a un tomacorriente de acoplamiento de conexión a tierra de 4 clavijas, de acuerdo con todos los códigos y las ordenanzas locales. Si los códigos permiten utilizar un cable de conexión a tierra separado, recomendamos que un electricista calificado determine la vía adecuada para este cable a tierra.
- El servicio técnico eléctrico de la estufa debe cumplir los códigos locales. A excepción de los códigos locales, debe cumplir con la versión más reciente de ANSI/NFPA n.º 70 (para los EE. UU.) o con el Código Eléctrico de Canadá CSA C22.1 o su versión más reciente.
- El propietario de la estufa debe garantizar que se preste un servicio técnico eléctrico adecuado.

Seguridad de la instalación

ADVERTENCIA

Para reducir el riesgo de incendio, descargas eléctricas, lesiones y muerte, respete estas precauciones:

- El artefacto debe ser correctamente instalado y conectado por un instalador calificado, según las instrucciones de instalación. Los ajustes y el servicio técnico los debe realizar únicamente un instalador o técnico de servicio calificado.
- **No intente** reparar, modificar o reemplazar el artefacto o alguna de sus piezas, excepto que se recomiende específicamente en este manual. Todos los otros servicios técnicos los debe realizar un técnico de servicio calificado.
- Utilice solo conectores flexibles nuevos para instalar el artefacto.
- Debido al tamaño y peso del artefacto, necesita **dos personas o más** para moverlo.
- **Retire** toda la cinta y el empaquetado.
- Luego de desempaquetar el artefacto, retire todos los accesorios del interior y de los alrededores (manipule las rejillas y el comal pesados con precaución)
- **Asegúrese** de que no se suelten piezas durante el transporte.
- **Asegúrese** de que un técnico de servicio o instalador calificado para el tipo de gas (natural o GLP) que utilizará haya instalado y ajustado correctamente su parrilla.
- La instalación de este artefacto debe realizarse conforme a los códigos locales o, en su ausencia, a la última edición del Código Nacional de Gas de Combustión, ANSI Z223.1/NFPA.54. En Canadá, la instalación debe realizarse conforme al Código Nacional de Gas de Combustión actual, CAN/CGA-B149.1, o el Código de Instalación de Propano actual, CAN/CGA-B149.2, y a los códigos locales que correspondan. Esta parrilla se diseñó con certificación de ETL, de acuerdo con ANSI Z21.1, última edición, y la Asociación Canadiense de Gas de acuerdo con CAN/CGA-1.1, última edición.

Instrucciones de seguridad importantes

Seguridad de la ubicación

ADVERTENCIA

Para reducir el riesgo de incendio, descargas eléctricas, lesiones y muerte, respete estas precauciones.

- Esta estufa es solo para uso interior y doméstico. **No instale** la estufa en el exterior ni en un lugar en el que esté expuesta a las inclemencias del clima, al agua o a corrientes de aire fuertes.
- Elija un piso nivelado y bien construido que pueda aguantar el peso de la estufa. El piso sintético, como el linóleo, debe aguantar temperaturas de 180 °F (82 °C) sin achicarse, deformarse o decolorarse. **No instale** la estufa directamente sobre alfombras de cocina, excepto que coloque una lámina de madera contrachapada de ¼ de pulgada o un aislante similar entre el artefacto y la alfombra.
- Para que la estufa se ventile correctamente, asegúrese de que los conductos de ventilación no estén bloqueados y que haya distancia suficiente arriba, atrás, en los costados y debajo de la estufa. Las ventilaciones permiten la salida de aire necesaria para que la estufa funcione adecuadamente con la combustión correcta y se obtengan buenos resultados de cocción. Bloquear o cubrir las ventilaciones puede provocar una combustión incorrecta que podría generar fugas de gas e incendios.
- **Asegúrese** de que los revestimientos de las paredes alrededor de la estufa puedan soportar un calor de hasta 200 °F (93 °C) generado por el artefacto.
- Evite colocar muebles de almacenamiento arriba de la superficie de la estufa. Si necesita muebles de almacenamiento arriba de la estufa, deje una distancia mínima de 30" (76,2 cm) entre la superficie de cocción y la base de los muebles, o instale una campana extractora que cubra horizontalmente un mínimo de 5" (12,7 cm) la base de los muebles.
- **Coloque** la estufa fuera de los pasos de circulación de la cocina y de lugares de paso de aire para evitar una mala circulación de aire.
- Si coloca la estufa cerca de una ventana, **NUNCA** cuelgue cortinas largas ni persianas de papel en esa ventana. Podrían caer sobre los quemadores superficiales y provocar un incendio.

Seguridad de la placa de cocción

ADVERTENCIA

Para reducir el riesgo de incendio, descargas eléctricas, lesiones y muerte, respete estas precauciones:

- **Asegúrese** de apagar todos los quemadores cuando no estén en uso.
- **No utilice** papel de aluminio para cubrir las rejillas ni ninguna pieza de la placa de cocción. Esto puede provocar envenenamiento por monóxido de carbono. El recubrimiento de papel de aluminio puede retener calor y provocar un incendio. **No deje** los quemadores sin supervisión en entornos con niveles de calor medios o altos.
- Antes de encender los quemadores, asegúrese de que todas las tapas estén correctamente instaladas en su lugar y niveladas.
- **Utilice siempre** la posición con el símbolo de la llama para encender los quemadores y asegúrese de que enciendan. Si falla el encendido, gire la perilla a **OFF (APAGADO)** y espere hasta que se disipe el gas antes de volver a encender el quemador.
- Cuando coloque un quemador a fuego lento, **no gire** la perilla rápidamente. Asegúrese de que la llama siga viva.
- Para calentar la comida, debe tener una campana de ventilación. Al calentar la comida, la campana debe estar encendida.
- Antes de retirar o cambiar los utensilios de cocina, apague los quemadores.
- Quite la comida y los utensilios de cocina inmediatamente después de cocinar.
- Antes de quitar cualquier pieza del quemador para su limpieza, asegúrese de que la estufa esté apagada y completamente fría.
- Después de limpiar el anillo del quemador y antes de volver a ensamblarlo, asegúrese de que esté completamente seco.
- **Asegúrese** de que la marca de encendido en el anillo del quemador doble esté colocada junto al electrodo al ensamblarlo.
- Para evitar un envenenamiento por monóxido de carbono, **no vierta** agua en la placa de cocción mientras limpia.
- Elija utensilios de cocina diseñados para cocción sobre placa de cocción. Utilice utensilios de cocina recomendados que no sean más grandes que las rejillas de la placa de cocción.
- Para evitar la decoloración, la deformación o el envenenamiento por monóxido de carbono de los utensilios, no utilice utensilios que sean considerablemente más grandes que la rejilla.
- Asegúrese de que los mangos de los utensilios de cocina se ubiquen hacia un lado o hacia atrás de la placa de cocción, pero nunca sobre los quemadores superficiales ni el borde frontal de la placa de cocción.
- No se pare inclinándose directamente sobre una cacerola cuando fría alimentos.
- Para freír, caliente el aceite despacio y supervise la operación. Cuando fría alimentos a alta temperatura, supervise detenidamente el proceso de cocción. Si combinará grasas o aceites para freír, mézclelos antes de calentar.

Instrucciones de seguridad importantes

- Cuando sea posible, utilice un termómetro para freidoras para no calentar el aceite pasando el punto de humeo.
- Utilice una cantidad mínima de aceite cuando fría en una sartén poco profunda o en una freidora. No fría alimentos congelados, helados, fríos ni mojados.
- Antes de mover los utensilios de cocina llenos de aceite o grasa, asegúrese de que se hayan enfriado por completo.
- Para evitar la ebullición eruptiva retrasada, deje que los líquidos calientes permanezcan al menos 20 segundos después de que apague el quemador, de manera que la temperatura del líquido se pueda estabilizar. En caso de quemaduras, siga estas instrucciones de primeros auxilios:
 - Sumerja la zona quemada en agua fría durante al menos 10 minutos.
 - No aplique cremas, aceites ni lociones.
 - Cubra con un paño limpio y seco.
- Coloque las cacerolas en el centro de la rejilla. No coloque una cacerola que tenga un diámetro superior a 9" en los quemadores traseros. Si coloca una cacerola de un tamaño mayor en la posición incorrecta, puede interrumpir la circulación de aire necesaria y hacer que la llama del quemador chisporrotee y queme de manera ineficiente.
- **No use** prendas amplias ni colgantes mientras utiliza la estufa. Pueden encenderse e incendiarse si tocan un quemador superficial.
- **Nunca deje** elementos de plástico sobre la placa de cocción. El aire caliente del conducto de ventilación puede derretir o inflamar los objetos de plástico o causar una acumulación de presión peligrosa en los recipientes de plástico cerrados. El plástico derretido puede obstruir los conductos de ventilación en la parte posterior de la estufa. Los conductos de ventilación obstruidos pueden provocar una combustión incorrecta que podría generar fugas de gas e incendios. Puede sufrir quemaduras graves si toca las superficies cerca del conducto de ventilación mientras el horno está en funcionamiento.
- **No coloque** artefactos portátiles ni ningún otro objeto sobre la placa de cocción que no sean los utensilios de cocina. Podría provocar daños o un incendio si la placa de cocción está caliente.
- **Siempre asegúrese** de que los controles estén en la posición **OFF** (APAGADO) y que las rejillas estén frías antes de retirarlas para evitar cualquier posibilidad de quemadura.
- **No coloque** ningún material ni elemento combustible alrededor de la estufa.
- **No toque** los quemadores cuando estén encendidos. Apague los quemadores cuando cambie una sartén o cacerola.

Seguridad del horno

ADVERTENCIA

Para reducir el riesgo de incendio, descargas eléctricas, lesiones y muerte, respete estas precauciones.

- **No utilice** el horno para fines que no sean de cocina, como secar ropa o almacenar objetos. Utilice el horno solo para cocinar.
- **Asegúrese** de que las parrillas del horno se encuentren al mismo nivel en cada lado.
- **No dañe, retire ni limpie** la junta de la puerta.
- **No rocíe** agua sobre el vidrio del horno mientras este se encuentre encendido ni inmediatamente después de apagarlo.
- Párese a un lado del horno cuando abra la puerta.
- No deje que se acumule grasa en el horno.
- Cuando vuelva a colocar las parrillas del horno, **asegúrese** de que este esté completamente frío.
- **No** coloque objetos plásticos dentro del horno.
- Para evitar dañar las perillas de control del quemador o el control del horno, siempre hornee o ase a la parrilla con la puerta del horno cerrada.
- **No** coloque carnes muy cerca de la parrilla superior. Corte el exceso de grasa antes de asar a la parrilla.
- Cuando cocine o ase bolsas en el horno, siga las instrucciones del fabricante.
- **NUNCA cubra** ranuras, agujeros ni pasajes de la base del horno ni cubra una parrilla entera con materiales como el papel de aluminio. Esto podría bloquear el flujo de aire dentro del horno y provocar envenenamiento por monóxido de carbono. El recubrimiento de papel de aluminio puede retener calor y provocar un incendio.

Seguridad del horno autolimpiante

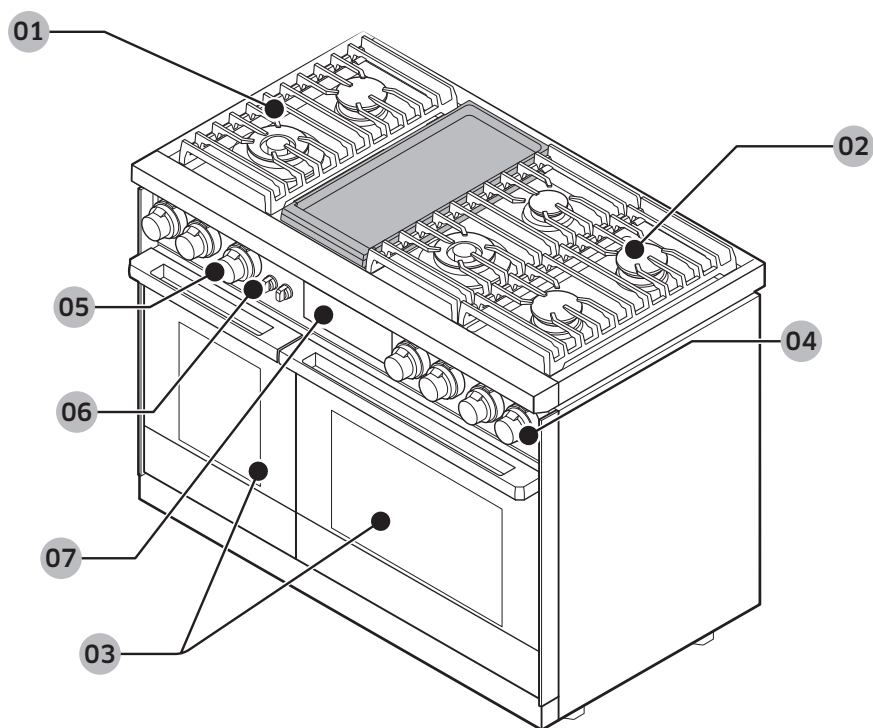
ADVERTENCIA

Para reducir el riesgo de incendio, descargas eléctricas, lesiones y muerte, respete estas precauciones.

- La función de autolimpieza opera el horno a temperaturas lo suficientemente altas como para quemar restos de comida dentro del horno. La estufa estará extremadamente caliente durante el ciclo de autolimpieza. **No toque** ninguna superficie de la estufa durante un ciclo de autolimpieza.
- Mantenga a los niños alejados del horno durante la totalidad del ciclo.
- Antes de comenzar un ciclo de autolimpieza, retire todos los elementos sueltos del horno y limpie todas las superficies del horno.
- Después de un ciclo de autolimpieza, párese a un lado del horno cuando abra la puerta.
- Si el ciclo de autolimpieza no funciona correctamente, apague el horno, apague el disyuntor y comuníquese con un técnico de servicio calificado.
- Algunas aves son extremadamente sensibles a los humos que libera el ciclo de autolimpieza de los hornos. Lleve las aves a otra habitación bien ventilada.

Resumen

Características externas

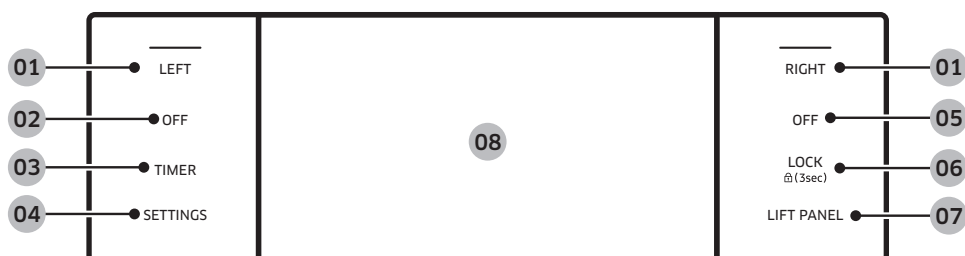


DOP48C96D**

- 01 Rejilla
- 02 Quemadores superficiales
- 03 Puerta del horno desmontable
- 04 Perillas de los quemadores superficiales (6)
- 05 Perilla del comal
- 06 Perilla (luz del horno manual)
- 07 Panel de control

Panel de control

Toque la pantalla con los dedos limpios. Los guantes de cocina y los dedos mojados o sucios bloquean la transferencia electrónica entre el dedo y el panel.

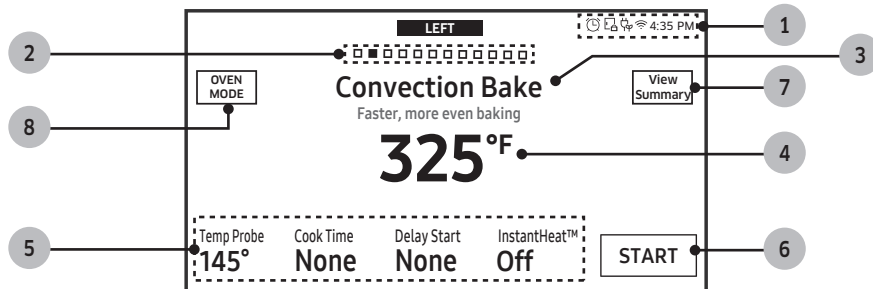


- 01 **LEFT, RIGHT (IZQUIERDA, DERECHA):** Muestra el modo izquierdo o derecho del horno. Muestra el estado, no enciende ni apaga el horno.
- 02 **OFF (APAGADO):** Cancela la cocción en el horno correspondiente.
- 03 **TIMER (TEMPORIZADOR):** Muestra la pantalla del temporizador.
- 04 **SETTINGS (CONFIGURACIÓN):** Muestra la pantalla de configuración.
- 05 **OFF (APAGADO):** Cancela la cocción en el horno derecho.
- 06 **LOCK (BLOQUEAR):** Mantenga presionado el botón durante 3 segundos para desactivar todas las funciones del horno.
- 07 **LIFT PANEL (PANEL DE ELEVACIÓN):** Toque para inclinar o aplanar el panel.
- 08 **Pantalla:** Deslice para navegar por los menús; toque para seleccionar una configuración.

Resumen

Pantalla

La pantalla mostrada es solo de referencia y puede diferir ligeramente de la pantalla real.



1. Área del indicador

- **Timer (Temporizador) (⌚)**: Cuando está establecido, aparece el indicador de temporizador. Si se establecen 3 o más temporizadores, aparece la cantidad de temporizadores establecidos.
- **Door lock (Bloquear puerta) (🔒)**: Aparece cuando la puerta del horno está bloqueada.
- **Wi-Fi (📶)**: Muestra la intensidad de la señal de Wi-Fi en 4 niveles. Cuando el Wi-Fi está desconectado, aparece el ícono 📶.
- **12-Hour energy saving (Ahorro de energía de 12 horas) (🌙)**: Aparece si está activado el ahorro de energía de 12 horas.
- **Current time (Hora actual)**: Muestra la hora actual.

2. Page indicator (Indicador de página): Muestra la ubicación (por número de página) del modo actual.

3. Mode (Modo): Aparece el menú actual o seleccionado con una descripción del modo.

4. Temperature (Temperatura): Aparece la temperatura actual o seleccionada; toque para mostrar la pantalla de ajuste de la temperatura.

5. Área de información

- **Temp Probe (Sonda de temperatura)**: Aparece la temperatura establecida de la sonda; toque para mostrar la pantalla de la sonda de temperatura.
- **Cook Time (Tiempo de cocción)**: Muestra el tiempo de cocción restante; toque para mostrar la pantalla de tiempo de cocción.
- **Delay Start (Inicio retardado)**: Muestra la hora de inicio retardado; toque para mostrar la pantalla de inicio retardado.
- **InstantHeat™**: Muestra que si función está **encendida** o **apagada**; aparece en los modos Convection Bake (Hornear por convección) o Convection Roast (Asar por convección).
- **Steam (Vapor)**: Muestra el nivel de vapor; toque para mostrar la pantalla de nivel de vapor. Aparece en los modos Steam Bake (Hornear al vapor) y Steam Roast (Asar al vapor).

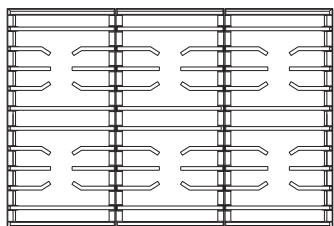
6. START (INICIO): Toque para iniciar el horno con la configuración elegida.

7. View Summary (Ver resumen): Toque para mostrar los modos de cocción del horno izquierdo y derecho.

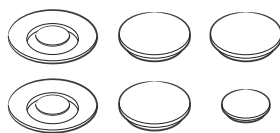
8. OVEN MODE (MODO DEL HORNO): Toque para mostrar el menú para seleccionar el modo del horno.

Qué se incluye

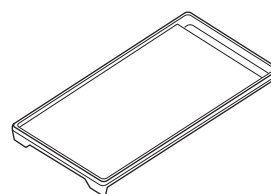
La estufa incluye la tapa del quemador de latón o de porcelana, para adaptarse a las preferencias del cliente.
(Con el uso, las tapas de latón perderán el color. Sin embargo, esto no afecta la función pretendida de las tapas).



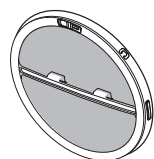
Rejillas (3)



Cabezales de los quemadores (6) y tapas de los quemadores* (8)



Comal (1)



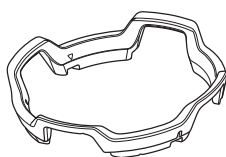
Filtros de convección (3)



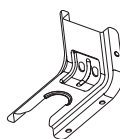
Sondas de temperatura (2)



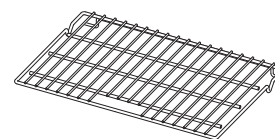
Parrillas deslizantes (2)



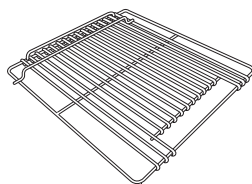
Anillo para wok (1)



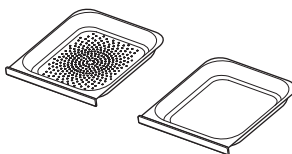
Ménsula antiinclinación (1)



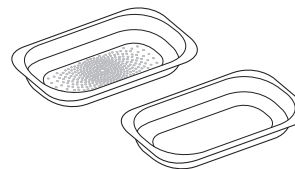
Parrilla metálica (1)



Parrilla pequeña (1)*



Bandejas de vapor (2)*



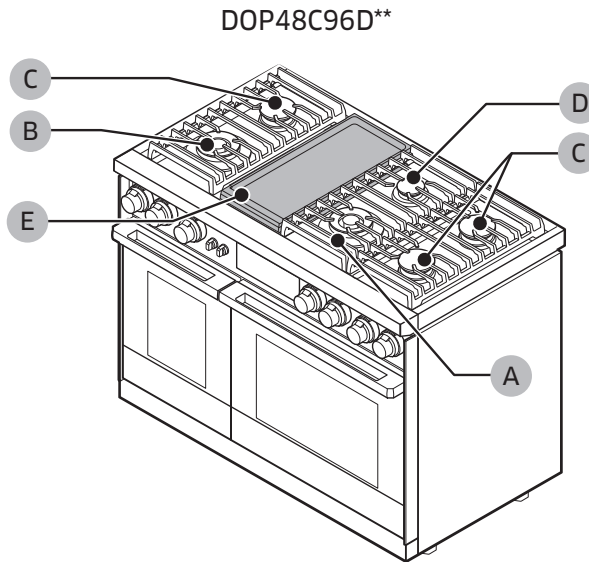
Medias bandejas de vapor (2)*

* Solo para el horno de vapor.

Uso de la placa de cocción

Acerca de los quemadores

La estufa tiene cuatro tipos de quemadores (consulte la potencia calorífica y la ubicación a continuación). La estufa genera una chispa para encender el quemador cuando gira la perilla hacia HI (Alto). Las juntas debajo de los quemadores evitan que se filtren los líquidos derramados hacia las piezas internas.



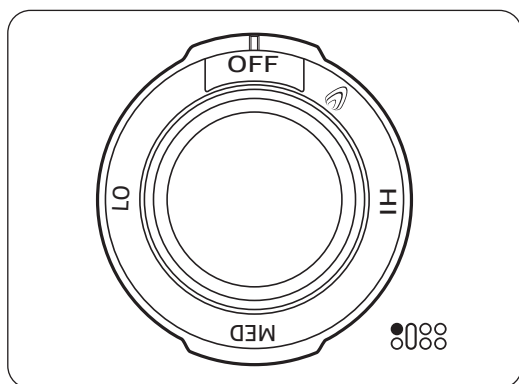
A	Quemador doble de 22 K	D	Quemador doble apilado de 9 K
B	Quemador doble de 18 K	E	Comal eléctrico de 1,4 KW
C	Quemador doble apilado de 16 K		

Cada quemador es diseñado para una finalidad de cocción específica, según la tabla a continuación.

Quemador	Posición	Finalidad	Tipo de alimento
Quemador doble	Delantero central (CF)	Potencia calorífica/ Cocción a fuego lento	Alimentos para hervir, salsa de tomate
	Delantero izquierdo (LF)	Calentamiento rápido/Cocción a fuego lento	Cocción general
Quemador doble apilado	Trasero izquierdo (LR), Delantero derecho (RF), Trasero derecho (RR), Trasero central (CR)	Potencia general/ Cocción a fuego lento	Alimentos en general, guisos
Comal eléctrico de 1,4 kW	Centro	Ofrece más espacio de cocción	Carne, crepas, tocino, huevos

Acerca de la combustión de los quemadores

Cada perilla tiene un quemador asociado; la ubicación aparece al lado de la perilla.



Para encender un quemador:

1. Presione la perilla y gírela en el sentido contrario a las agujas del reloj hacia la posición con el símbolo de la llama. El encendedor chispea y hace clic hasta que se enciende el quemador (unos 4 segundos).
2. Coloque los utensilios de cocina sobre la rejilla.
3. Ajuste la llama según sea necesario para una cocción adecuada.

NOTA

- La llama debe quemar de forma pareja alrededor del quemador, excepto por debajo de cada rejilla, donde la altura de la llama se reduce por la función Smart Flame de Dacor. Una llama normal es estable y azul. Los materiales extraños en la línea del gas, especialmente en construcciones nuevas, pueden provocar una llama naranja que desaparece con el uso. Las puntas amarillas en los conos exteriores son normales para el gas LP. Si un quemador no se enciende, el encendedor sigue chispeando o la llama es despareja, consulte la sección **Solución de problemas**, pág. 94.
- El encendedor chispea si la llama se ve afectada por una corriente de aire o por la ventilación de la vivienda. Elimine las corrientes de aire y reduzca la velocidad de la fuente de ventilación para minimizar esta situación.
- Si no se generan chispas, verifique que tenga electricidad. En caso de un corte eléctrico, consulte la sección **Encendido manual** (a continuación).
- Los alimentos se cocinan con la misma rapidez con un hervor suave que con un hervor fuerte, lo que desperdicia energía y elimina la humedad, el sabor y los nutrientes de los alimentos.
- Utilice una llama baja/media para los utensilios de cocina que conducen mal el calor (por ejemplo, vidrio, cerámica o hierro fundido). Baje la llama hasta que cubra aproximadamente 1/3 del diámetro de la olla para garantizar un calentamiento uniforme y minimizar las quemaduras.

Encendido manual

Durante un corte eléctrico, puede encender el quemador de forma manual. Tenga cuidado al hacerlo.

1. Sostenga un encendedor de parrilla a gas largo cerca del quemador superficial que quiere encender.
2. Presione la perilla de control de ese quemador y gírela hacia la posición con el símbolo de una llama. Prenda el encendedor de parrilla a gas para encender el quemador.
3. Cuando el quemador esté encendido, gire la perilla de control para ajustar el nivel de la llama.

Uso de la placa de cocción

Uso de utensilios de cocina adecuados

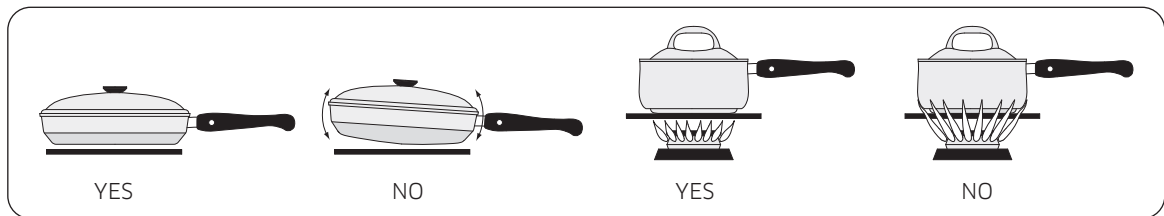
▲ ADVERTENCIA

- Los utensilios de cocina con base áspera pueden provocar daño permanente en las superficies recubiertas.
- Para evitar quemaduras y escaldaduras, aleje las asas de la parte frontal de la estufa y de los quemadores adyacentes. Centre siempre los utensilios de cocina sobre las rejillas para obtener un mejor equilibrio.
- Para reubicar los utensilios, siempre levántelos. No los deje caer sobre la rejilla.
- Para evitar incendios o quemaduras, mantenga la llama debajo de los utensilios.
- Cuando use utensilios de vidrio, verifique que sean aptos para la placa de cocción.
- Nunca deje elementos de plástico sobre la placa de cocción ni adelante de la estufa. Las llamas o el aire caliente de estas áreas pueden derretir, encender o hacer explotar estos objetos.
- Sostenga los woks o los recipientes pequeños por las asas mientras cocina.

Para una mayor seguridad y un mejor rendimiento, seleccione utensilios de cocina adecuados para la tarea, de modo que los alimentos se cocinen de manera uniforme y eficaz.

Elija utensilios que cumplan con lo siguiente:

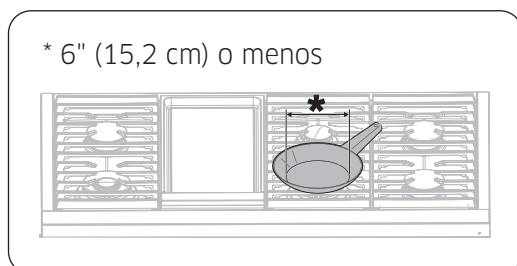
- tengan bases planas y suaves;
- tengan tapas ajustadas para evitar que salga calor, olor y vapor;
- estén bien balanceados y que el mango pese menos que la parte principal de la cacerola o de la sartén.



Características de los materiales

- Aluminio: un conductor de calor excelente. Algunos alimentos pueden oscurecer el aluminio. (Los utensilios de aluminio anodizado resisten las manchas y las corrosiones).
- Cobre: un conductor de calor excelente, pero se decolora fácilmente.
- Acero inoxidable: un conductor de calor lento; cocina de manera despereja, pero es duradero, fácil de limpiar y resistente a las manchas.
- Hierro fundido: un mal conductor, pero retiene el calor muy bien.
- Loza: las características de conducción de calor dependen del material de la base.
- Vidrio: un conductor de calor lento; debe estar diseñado para su uso en placas de cocción u hornos.

Límites de tamaño



▲ ADVERTENCIA

Para evitar caídas y lesiones, no coloque sartenes ni cacerolas con un diámetro inferior de 6" (15,2 cm) o menos sobre el quemador grande. Para los utensilios de cocina de este tamaño, use los quemadores traseros.

Características especiales de la placa de cocción

Perma-Flame™

La función Perma-Flame de reencendido instantáneo enciende automática y rápidamente un quemador apagado. Con Perma-Flame, su experiencia de cocción es ininterrumpida porque la llama se reenciende al mismo nivel que cuando se apagó.

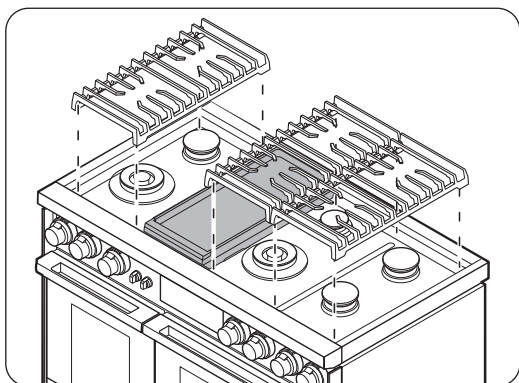
Smart Flame™

La tecnología Smart Flame reduce la temperatura debajo de las rejillas de hierro fundido recubiertas con porcelana. Smart Flame extiende la vida útil de la rejilla y protege su acabado.

SimmerSear™

Es el sistema de precisión de control de quemadores exclusivo de Dacor. Le permite cocinar con una gran variedad de configuraciones de calor de la estufa, desde hervir hasta abrasar.

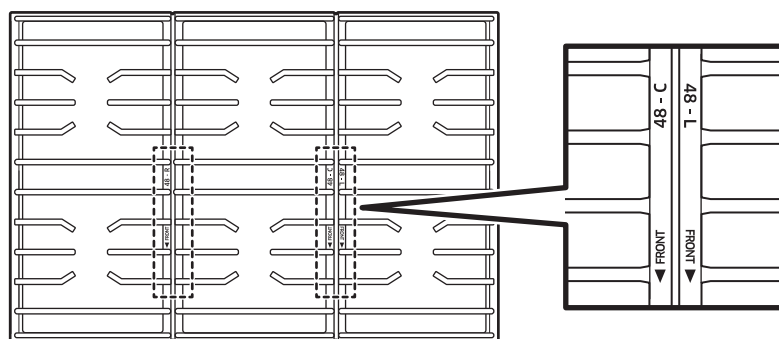
Acerca de las rejillas



Compruebe la posición correcta de la parte inferior de cada rejilla y, a continuación, coloque las rejillas de modo que sus patas queden apoyadas sobre los hoyos correspondientes. (Tenga cuidado al manipular rejillas pesadas).

NOTA

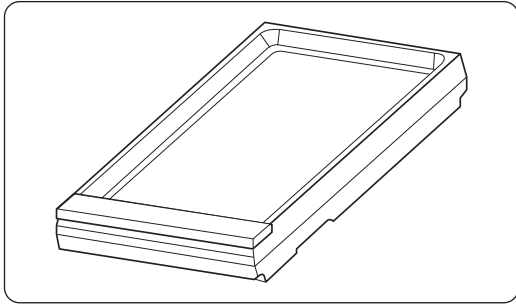
Antes de instalar las rejillas, verifique las palabras debajo. Las palabras informan donde se ubica el lado delantero y cuál es la posición adecuada de la rejilla: derecha, central o izquierda.



Uso de la placa de cocción

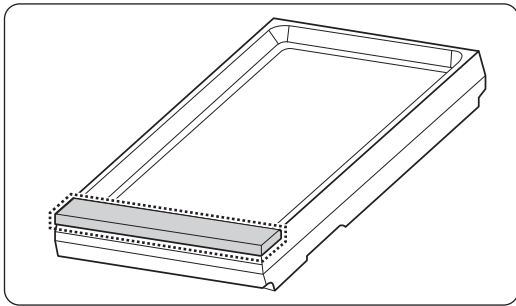
Comal (eléctrico)

Para obtener mejores resultados, precaliente el comal en HIGH por unos 10 minutos antes de comenzar a cocinar. Baje hacia el ajuste de cocción deseado.



1. Antes de usar el comal por primera vez, lávelo con agua caliente y jabón. Enjuague y deje que se seque por completo.
2. Cuando todos los quemadores estén apagados y la estufa esté fría al tacto, coloque el comal en el segundo lugar desde la izquierda, que es su lugar original.

Al cocinar, la grasa y los restos quedarán dentro del contenedor de grasa.

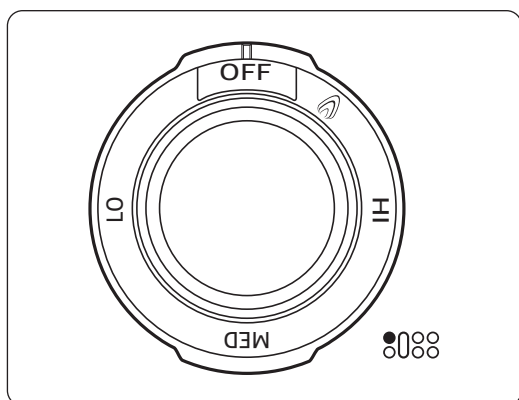


Para limpiar el comal:

1. Quite la tapa del contenedor de grasa.
2. Debe limpiar el contenedor de grasa pasando una toalla de papel. Puede también levantar y separar el comal, y vaciar el contenedor de grasa.

PRECAUCIÓN

Deje que el comal se enfríe antes de limpiar.



- Al contrario de otras perillas, la perilla del comal no tiene posición Lite (Encender).
- La perilla del comal y las perillas de los quemadores tienen la marca de la llama en posición opuesta.

La información sobre el precalentamiento está en la tabla a continuación.

Tipo de alimento	Tiempo de precalentamiento	Ajuste de precalentamiento	Ajuste de cocción
Crepas	8-10 min.	Alto	Medio-alto
Hamburguesas	15-20 min.	Alto	Alto
Huevos fritos	8-10 min.	Alto	Medio-alto
Tocino	10-15 min.	Alto	Alto
Salchichas de desayuno	8-10 min.	Alto	Alto

⚠ PRECAUCIÓN

- No retire el comal hasta que las rejillas, las superficies y el comal mismo se enfríen.
- El comal puede calentarse mucho cuando se usa la estufa.
- No sobrecaliente el comal. Esto podría dañar el recubrimiento del comal.
- No utilice utensilios de metal que puedan dañar la superficie del comal.
- No utilice el comal para otros fines, como tabla para cortar o lugar de almacenamiento.
- No cocine alimentos con exceso de grasa. La grasa puede derramarse.
- El comal es bastante pesado. Utilice las dos manos cuando coloque o quite el comal.

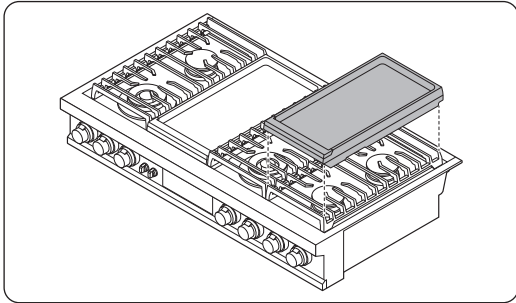
📄 NOTA

- Con el paso del tiempo, es posible que necesite modificar los ajustes de calor para el comal.
- Además, el comal podría decolorarse, ya que se desgasta con el uso.
- No permita que se acumule óxido en el comal. Si aparece óxido, quítelo lo antes posible.

Uso de la placa de cocción

Comal (accesorios de compra adicionales)

- Antes de usar el comal por primera vez, lávelo con agua caliente y jabón. Luego, enjuague y deje que seque bien.
- Para mejores resultados, precaliente el comal de 3 a 5 minutos.
- Ubique el recolector de grasa del comal en la parte trasera de la estufa.



1. Con todos los quemadores apagados y la estufa fría al tacto, ubique el comal y la rejilla a la derecha de la estufa.
 - Los quemadores especificados son del mismo tamaño, lo que permite una cocción pareja tanto delantera como trasera.
 - Encastre las solapas de la base del pie en las esquinas interiores de la rejilla. Es normal que se produzca un ligero balanceo.
2. Presione y gire las perillas de los quemadores de la derecha hacia el ajuste de encendido (llama). El quemador se encenderá.

PRECAUCIÓN

Evite utilizar utensilios de metal sobre la superficie porque pueden rayar el recubrimiento antiadherente.

NOTA

Limpie el comal después de cada uso.

La información sobre el precalentamiento está en la tabla a continuación.

Tipo de alimento	Tiempo de precalentamiento	Ajuste de precalentamiento	Ajuste de cocción
Crepas	3-5 min.	Medio-bajo	Medio-bajo
Hamburguesas	3-5 min.	Medio-alto	Medio-alto
Huevos fritos	3-5 min.	Medio-bajo	Medio-bajo
Tocino	3-5 min.	Medio	Medio
Salchichas de desayuno	3-5 min.	Medio	Medio

PRECAUCIÓN

- No retire el comal hasta que las rejillas, las superficies y el comal mismo se enfríen.
- El comal puede calentarse mucho cuando se usa la estufa.
- No sobrecaliente el comal. Esto podría dañar el recubrimiento del comal.
- No utilice utensilios de metal que puedan dañar la superficie del comal.
- No utilice el comal para otros fines, como tabla para cortar o lugar de almacenamiento.
- No cocine alimentos con exceso de grasa. La grasa puede derramarse.
- El comal es bastante pesado. Utilice las dos manos cuando coloque o quite el comal.

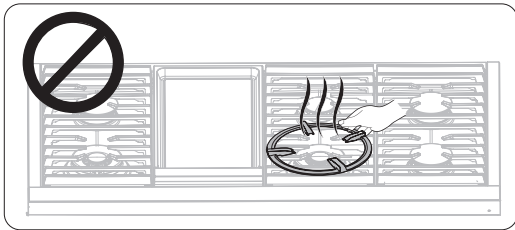
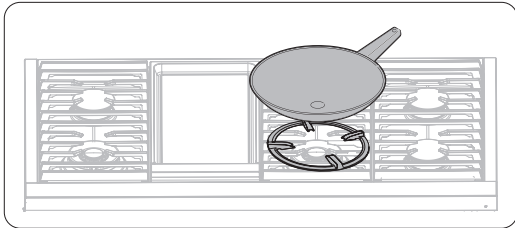
NOTA

- Con el paso del tiempo, es posible que necesite modificar los ajustes de calor para el comal.
- Además, el comal podría decolorarse, ya que se desgasta con el uso.
- No permita que se acumule óxido en el comal. Si aparece óxido, quítelo lo antes posible.

Uso de la placa de cocción

Acerca del anillo para wok

Los woks suelen usarse para fritura de inmersión, fritura en sartén, salteado y escalfado. El anillo para wok incluido es apto para woks de 12" a 14" (30,5 cm a 35,5 cm).



1. Apague todos los quemadores y espere hasta que las rejillas se enfríen por completo.
2. Coloque el anillo para wok en la rejilla sobre el quemador doble "CF".
3. Coloque un wok sobre el anillo para wok.
4. Encienda el quemador y ajuste el nivel de la llama según lo desee.

PRECAUCIÓN

- No retire el anillo para wok hasta que todas las superficies se hayan enfriado por completo.
- No use utensilios de cocina de base plana o que tengan un diámetro inferior a 12" (30,5 cm).
- No utilice un wok de gran tamaño. Las llamas de los quemadores pueden dañar la propiedad y causar quemaduras.
- Flambee alimentos solo debajo de una campana de ventilación.
- No utilice el anillo para wok y el comal al mismo tiempo.
- Use guantes para hornos cuando coloque o quite el anillo para wok.

Uso del horno básico

Configuración básica: reloj, fecha y hora, e idioma

Tema del reloj

Para cambiar el tema del reloj:

1. Toque **SETTINGS > Display** (CONFIGURACIÓN > Pantalla).
2. Toque **Clock theme** (Tema del reloj), deslice la pantalla para ver los temas y seleccione el que desee.

Fecha y hora

Para activar la fecha y hora automáticas:

1. Active el **Wi-Fi**.
2. Toque **SETTINGS > Date & Time > Automatic date and time** (CONFIGURACIÓN > Fecha y hora > Fecha y hora automáticas), y en la pantalla derecha, toque **ON** (ACTIVADO). La fecha y la hora se ajustan automáticamente.

Para activar la fecha y la hora manualmente:

1. Toque **SETTINGS > Date & Time > Automatic date and time** (CONFIGURACIÓN > Fecha y hora > Fecha y hora automáticas), y en la pantalla derecha, toque **OFF** (DESACTIVADO). La zona horaria, la fecha y la hora establecidas se activan.
2. Establezca la zona horaria, la fecha y la hora.

Para cambiar el formato de hora:

1. Toque **SETTINGS > Date & Time > Select time format** (CONFIGURACIÓN > Fecha y hora > Seleccionar formato de hora) y toque la pantalla derecha.
2. Seleccione el formato en 12 o 24 horas.

Idioma

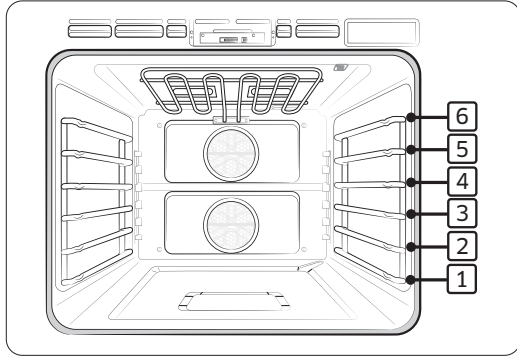
Elija el idioma de la pantalla.

1. Toque **SETTINGS > Language** (CONFIGURACIÓN > Idioma) y toque la pantalla derecha.
2. Seleccione **English (Inglés)**, **Spanish (Español)** o **French (Francés)**.

Uso del horno básico

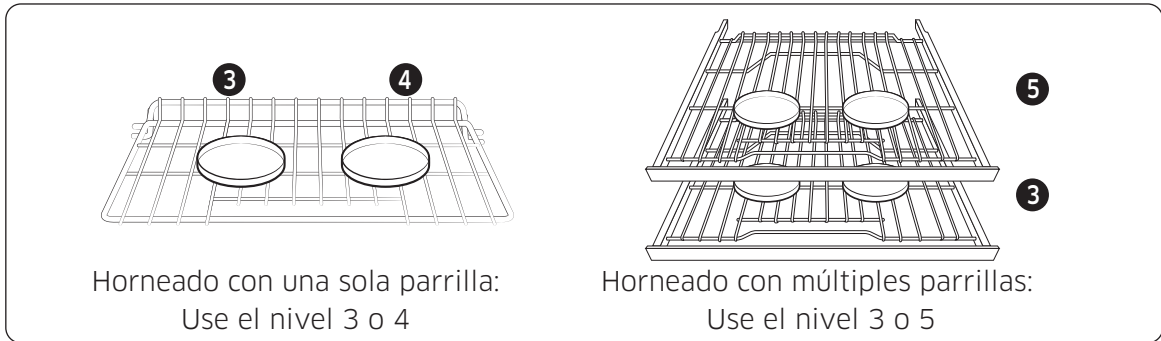
Uso de las parrillas del horno

Horno derecho



Tipo de alimento	Nivel
Hamburguesas asadas	6
Carnes rojas asadas, cortes pequeños de carne de ave y pescado	3-5
Pasteles Bundt, pasteles en molde savarín, tartas congeladas y guisos	4 o 3
Pasteles de ángel y carnes asadas de tamaño pequeño	2
Pavo, carnes asadas de gran tamaño, jamones y pizza fresca	1

Colocación de parrillas y bandejas



Horneado con una sola parrilla:
Use el nivel 3 o 4

Horneado con múltiples parrillas:
Use el nivel 3 o 5

Para obtener mejores resultados, centre las bandejas en el horno lo más posible. Si se usan varias bandejas, debe haber un espacio de al menos 1" (2,5 cm) alrededor de cada una.

Antes de usar las parrillas

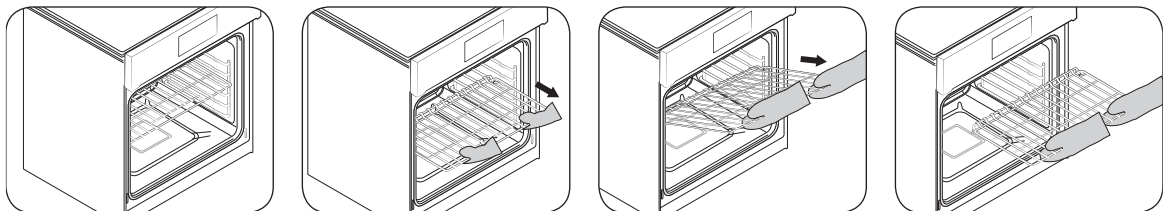
Cada parrilla dispone de topes que deben colocarse correctamente en los soportes para evitar que la parrilla se extraiga completamente de forma accidental. (Ajuste las parrillas solo cuando el horno esté frío).

Extracción de las parrillas

Tire de la parrilla en línea recta hacia fuera hasta que se detenga, luego incline la parrilla hacia arriba y tire de ella hacia fuera.

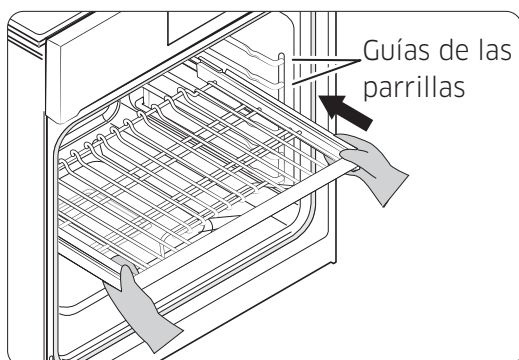
Instalación de las parrillas

Coloque el extremo de la parrilla sobre el soporte, incline la parte delantera hacia arriba y empuje la parrilla hacia dentro.

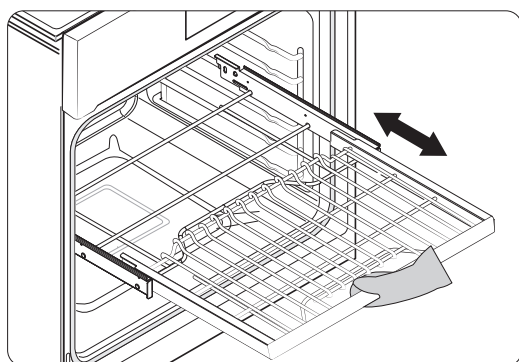


Uso de la parrilla deslizante

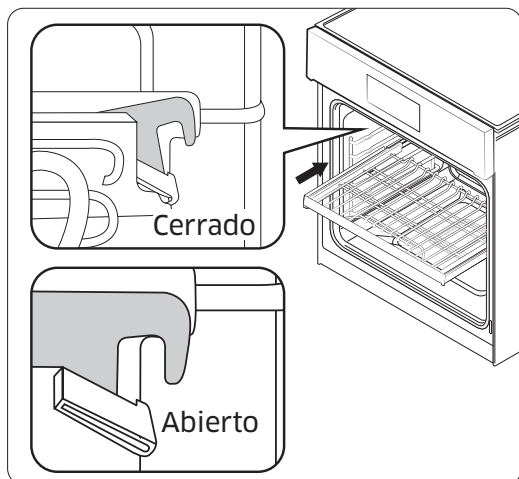
Dos guías de deslizamiento permiten que la parrilla se extienda completamente fuera del horno para facilitar la extracción y la colocación de los utensilios de cocina, especialmente los platos más pesados.



Con la parrilla deslizante retraída y el horno apagado, inserte la parrilla deslizante entre las guías hasta que toque el fondo.



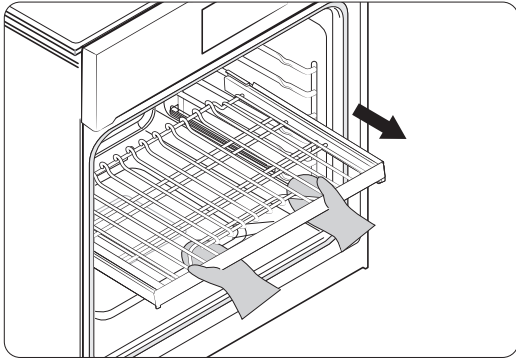
Sujete el mango para tirar de la parrilla deslizante (izquierda). Tirar del marco puede hacer que la parrilla se salga de las guías, lo que puede dañar la parrilla y al usuario. Use guantes de cocina cuando manipule la parrilla deslizante durante la cocción.



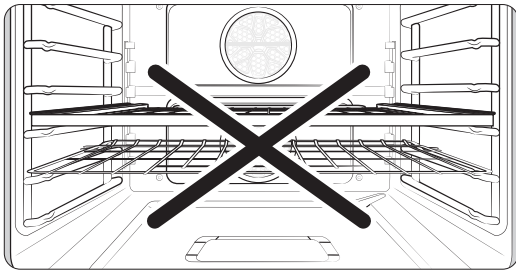
NOTA

Bloquee la parte inferior de la parrilla deslizante en la pared del horno durante su uso para mantener la parrilla fija en las guías. El gancho de la parrilla deslizante se controla a través de la parte superior de la parrilla. El gancho cerrado se inclina hacia arriba (ver la imagen izquierda).

Uso del horno básico



Con la parrilla deslizante cerrada y el horno apagado y frío, sujete la parrilla y el marco, y tire de ambos hacia adelante para retirarla.



⚠ PRECAUCIÓN

Mantenga al menos un nivel de parrilla libre entre la parrilla deslizante y la parrilla metálica (vea la imagen izquierda).

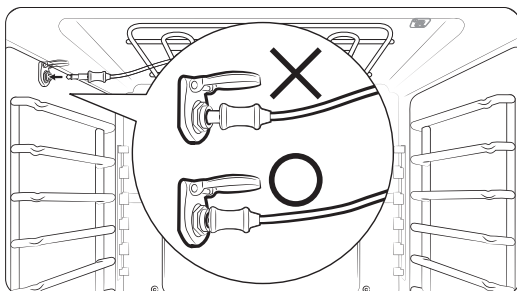
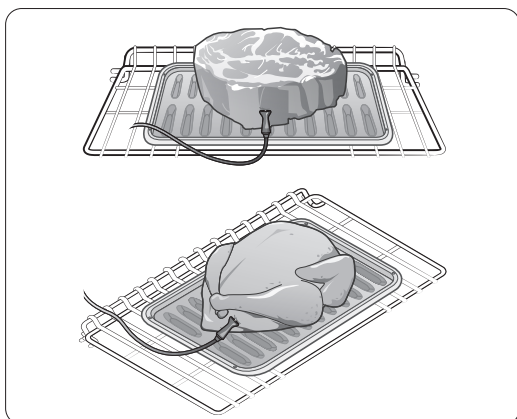
📖 NOTA

Puede instalar la parrilla deslizante en cualquier nivel de parrilla, excepto en el más bajo (niveles de parrilla disponibles: 2-6).

Uso de la sonda de temperatura

Para muchos alimentos, en particular carnes asadas y de ave, medir la temperatura interna es la mejor manera de determinar si la comida está bien cocida. Esta función le permite cocinar la carne a una temperatura interna exacta. Utilícela con los modos Bake (Hornear), Convection Bake (Hornear por convección), Convection Roast (Asar por convección), Pure Conv. Sear (Abrasar por convección pura), Dual Four-Part Pure Convection (Convección doble pura de cuatro partes), Steam Bake (Hornear al vapor), Steam Roast (Asar al vapor), Steam (Vapor) o Fine Steam (Vapor fino). Una vez que la temperatura interna de la carne alcanza los 100 °F (37,7 °C), la temperatura actual aparece en la pantalla de la sonda.

1. Introduzca la punta de la sonda de temperatura en el centro de la carne.



- Inserte la sonda como se muestra a la izquierda. No toque el hueso, la grasa ni el cartílago. Si no inserta completamente la sonda, esta detecta la temperatura del horno, no la de la carne.
- Carne con hueso: Introduzca la sonda en el centro de la parte más baja y gruesa.
- Aves enteras: Introduzca la sonda en la parte más gruesa de la cara interna del muslo, paralela a la pierna.
- Si activa la función Keep Warm (Mantener caliente) para mantener la carne caliente después de cocinarla utilizando la función de la sonda de temperatura, es posible que la carne se cocine de más.
- Ubicación de la toma de la sonda de temperatura
 - Estufa de 48" (122 cm) (horno izquierdo): pared izquierda del horno
 - Estufa de 48" (122 cm) (horno derecho): pared derecha del horno

Uso del horno básico

2. Inserte la sonda de temperatura por completo dentro de la entrada en la parte superior de la pared del horno.
3. (Estufa de 48" [122 cm]) Toque **LEFT** (IZQUIERDA) o **RIGHT** (DERECHA) y deslice a una operación de cocción (Bake [Hornear], Convection Bake [Hornear por convección], Convection Roast [Asar por convección], Pure Conv. Sear [Abrasar por convección pura] o Dual Four-Part Pure Convection [Convección pura de cuatro partes doble]). Seleccione un modo de cocción y programe la temperatura de cocción. (Consulte la pág. 46)
4. Toque **Temp Probe** (Sonda de temperatura) y, en el tablero numérico, programe una temperatura interna de entre 100 °F y 200 °F (37,7 °C y 93,3 °C).
5. (Opción) Programa un tiempo de cocción o de inicio retardado.
6. Toque **START** (INICIO). (Cuando se alcance la temperatura interna programada, la función se detendrá automáticamente y sonará una alarma).

NOTA

Si retira la sonda de temperatura sin cancelar la función o la introduce sin ajustar la función, la cocción se detiene al cabo de 1 min.

⚠ PRECAUCIÓN

- Para proteger la punta de la sonda, descongele los alimentos por completo y no deje que la punta sobresalga de la carne.
- La sonda solo debe estar en el horno si se está utilizando.
- No use pinzas para insertar o retirar la sonda.
- Use la sonda de temperatura solo como se indica.

Tipo de alimento		Nivel
Carne de res/cordero	Jugoso	140 °F
	Cocido	160 °F
	Bien cocido	170 °F
Carne de cerdo		170 °F
Pollo		180 °F-185 °F (82 °C-85 °C)

📖 NOTA

Si cubre la carne cocida con papel de aluminio y la deja reposar 10 minutos, la temperatura interna aumenta entre 5 y 10 grados. Después de la cocción, retire la sonda de la toma y, a continuación, la carne.

Acerca de las funciones del horno

Horno	Funciones del horno
Horno básico	Bake (Hornear), Convection Bake (Hornear por convección), Convection Roast (Asar por convección), Broil (Asar a la parrilla), Pure Convection Sear (Abrasar por convección pura), Convection Broil (Asar a la parrilla por convección), Dual 4-Part Pure Convection (Convección pura de 4 partes doble), Special Function (Función especial), Chef Mode (Modo chef), Clean (Limpieza)
Horno de vapor	Bake (Hornear), Convection Bake (Hornear por convección), Convection Roast (Asar por convección), Broil (Asar a la parrilla), Convection Broil (Asar a la parrilla por convección), 4-Part Pure Convection (Convección pura de 4 partes), Steam Bake (Hornear al vapor), Steam Roast (Asar al vapor), Steam (Vapor), Special Function (Función especial), Special Steam Cook (Cocción especial al vapor), Clean (Limpieza)

📖 NOTA

Para ver las descripciones de las funciones del horno de vapor en la estufa de 48", consulte la tabla en la pág. 72.

Uso del horno básico

Modo de cocción

Para la estufa de 48", toque RIGHT (DERECHA) y deslice para seleccionar el modo de cocción; a continuación, ajuste una temperatura. (Consulte la sección **Programación de la temperatura de cocción**, pág. 46, e **Instrucciones básicas para hornear y asar a la parrilla**, pág. 47).

Modo	Rango de temperatura	Modelo de 48"		Sonda de temperatura	Instant Heat™
		Izquierda	Derecha		
Hornear	175 °F (80 °C) - 550 °F (285 °C)	0	0	0	-
Asar/Hornear por convección	175 °F (80 °C) - 550 °F (285 °C)	0	0	0	0
Asar a la parrilla	Alto / Bajo	0	0	-	-
Pure Conv. Sear (Abrasar por convección pura)	175 °F (80 °C) - 475 °F (245 °C)	-	0	0	-
Convection Broil (Asar a la parrilla por convección)	175 °F (80 °C) - 550 °F (285 °C)	0	0	-	-
Dual 4-Part Pure Convection (Convección pura de 4 partes doble)	175 °F (80 °C) - 550 °F (285 °C)	0	0	0	-

Horno	Instrucciones
Hornear	<ul style="list-style-type: none"> Este modo se usa para hornear pasteles, galletas y guisos. Siempre precaliente el horno. Las temperaturas y los tiempos de horneado varían según los ingredientes y la forma o el tamaño del molde para hornear. Los recubrimientos oscuros y antiadherentes cocinan los alimentos más rápidos y los doran más. El ventilador de convección puede encenderse o apagarse durante el horneado.
Convection Bake (Hornear por convección)	<ul style="list-style-type: none"> Este modo utiliza un ventilador para hacer circular el calor del horno de manera pareja y continua. Una mejor distribución del calor permite una cocción pareja y resultados óptimos con múltiples parrillas. Los panes y los pasteles se doran de manera más uniforme. La temperatura del horno debe ajustarse manualmente en aumentos de 25 °F.
Convection Roast (Asar por convección)	<ul style="list-style-type: none"> Este modo es ideal para cocinar cortes grandes de carne tierna sin cubrir. El ventilador de convección hace circular aire caliente de manera uniforme alrededor de la comida. Las carnes rojas y de ave se doran en todos los lados como si se asaran en una rotisería. El aire caliente atrapa los jugos para dejar la carne húmeda y tierna, a la vez que crea un exterior rico y dorado.
Asar a la parrilla	<ul style="list-style-type: none"> Este modo cocina cortes de carne tierna con calor directo debajo del elemento de asar del horno. La alta temperatura cocina rápidamente para crear un exterior rico y dorado; es ideal para carnes rojas, de ave y pescados de un grosor de hasta 1" (2,5 cm). Siempre precaliente el horno durante 5 minutos. Consulte la Guía de recomendaciones para asar a la parrilla, pág. 45.
Pure Conv. Sear (Abrasar por convección pura)	Utiliza el elemento de convección y el ventilador. El horno cocina las carnes a una temperatura de 75 °F (42 °C) más alta que la temperatura establecida durante los primeros 15 minutos. El proceso de dorado abrasa el exterior de la carne para atrapar los jugos naturales. Es ideal para aves de corral, pollo, pavo (relleno o no), pechuga de pavo, solomillo de cerdo y lomo de cerdo.

Uso del horno básico

Convection Broil (Asar a la parrilla por convección)	<ul style="list-style-type: none">• Es similar al modo Asar a la parrilla, pero en este modo el aire circula gracias a un ventilador de convección.• Los ciclos del elemento de asado se encienden y apagan para mantener la temperatura del horno, mientras el ventilador hace circular el aire caliente.• Se utiliza para cortes más gruesos de carne roja, pescado y ave. Dora el exterior suavemente y retiene los jugos.• Para obtener mejores resultados, precaliente el elemento de asar durante 5 minutos.
Steam Bake (Hornear al vapor)	<ul style="list-style-type: none">• Es ideal para panes, panecillos y postres. Resalta la humedad para una mejor textura y sabor.• Consulte la Guía de recomendaciones para hornear y asar al vapor, pág. 45.
Asar al vapor	<ul style="list-style-type: none">• Es ideal para carnes rojas y de ave asadas. Mantiene una superficie crujiente reteniendo los jugos para que tengan más humedad y ternura.• Consulte la Guía de recomendaciones para hornear y asar al vapor, pág. 45.
Dual Four-Part Pure Convection (Convección doble pura de cuatro partes)	Utiliza un elemento de convección y un ventilador para hacer circular el aire de manera uniforme, lo que permite utilizar más espacio del horno; es ideal para hornear en una o varias parrillas, asar y cocinar comidas completas; los alimentos como pizzas, pasteles, galletas, bizcochos y alimentos precocidos congelados pueden cocinarse en 2 o 3 parrillas; también es ideal para asar pato entero, paleta de cordero y pata de cordero.

Guía de recomendaciones para asar a la parrilla

El tamaño, el peso, el grosor, la temperatura inicial y su preferencia del punto de cocción afectarán los tiempos de cocción.

Esta guía se basa en carnes a temperatura refrigerada. Siempre utilice una bandeja para asar y su rejilla al asar a la parrilla.

Siempre precaliente el horno durante 5 minutos.

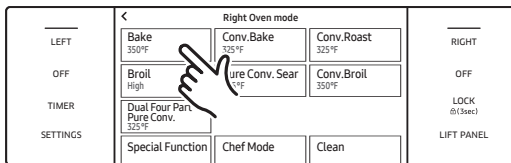
Alimento	Punto de cocción	Tamaño	Grosor	Nivel	Posición de las parrillas	Tiempo de cocción (min)	
						1.º lado	2.º lado
Hamburguesas	Cocido	9 hamburguesas	$\frac{3}{4}$ " (1,9 cm)	Alto	6	3:00	2:00
	Cocido	9 hamburguesas	1" (2,5 cm)	Alto	6	3:20	2:20
Filetes de res	Jugoso		1" (2,5 cm)	Alto	5	5:00	4:00
	Cocido		1 - 1½" (2,5 - 3,75 cm)	Alto	5	6:00 - 6:30	4:30 - 4:00
	Bien cocido		1 - 1½" (2,5 - 3,75 cm)	Lo (Bajo)	4	7:00 - 8:00	4:00 - 5:00
Presas de pollo	Bien cocido	4,5 lb	$\frac{1}{2}$ - $\frac{3}{4}$ " (1,3 - 1,9 cm)	Lo (Bajo)	3	16:00 - 18:00	13:00 - 15:00
	Bien cocido	2 lb	$\frac{1}{2}$ - $\frac{3}{4}$ " (1,3 - 1,9 cm)	Lo (Bajo)	3 o 4	15:00 - 16:00	10:00 - 12:00
Chuletas de cerdo	Bien cocido	1 lb	1" (2,5 cm)	Lo (Bajo)	3	8:00 - 10:00	6:00 - 8:00
Filetes de pescado	Bien cocido		$\frac{1}{4}$ - $\frac{1}{2}$ " (0,6 - 1,3 cm)	Lo (Bajo)	3 o 4	7:00 - 8:00	4:00 - 5:00

Guía de recomendaciones para hornear y asar al vapor.

Modo Steam (Vapor)	Nivel	Alimentos
Steam Bake (Hornear al vapor)	Alto	Panes de centeno, postres (flan con caramelo)
	Medio	Medialunas, pasteles, recalentados (pizza y guisos)
	Bajo	Bollería
Asar al vapor	Alto	-
	Medio	Carnes rojas, de ave
	Bajo	Pavo, carnes grandes

Uso del horno básico

Programación del modo de cocción

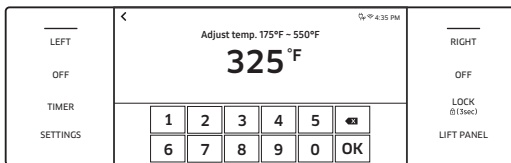


- Deslice la pantalla a la izquierda o derecha para seleccionar un modo.

- Toque el área de modos para mostrar el resumen del modo.

- Toque un modo.

Programación de la temperatura de cocción



- Toque la temperatura para mostrar el tablero numérico.

- Toque el tablero numérico para programar la temperatura.

- Toque OK (Aceptar).

Uso del horno básico

Instrucciones básicas para hornear y asar a la parrilla



1. (Estufa de 48" [122 cm]) Toque **RIGHT** (DERECHA) y deslice para seleccionar un modo de cocción. Seleccione un modo de cocción.

2. Establezca una temperatura. (Consulte la página 46).

- El modo Broil (Asar a la parrilla) puede configurarse solo en Hi (Alto) o Lo (Bajo).
- Las temperaturas Keep Warm (Mantener caliente) y Bread Proof (Leudado de pan) no pueden ajustarse.

3. Este paso muestra cómo usar los modos InstantHeat™, Steam Bake (Hornear al vapor) o Steam Roast (Asar al vapor). Si no usará estas funciones, vaya al Paso 4.

InstantHeat™

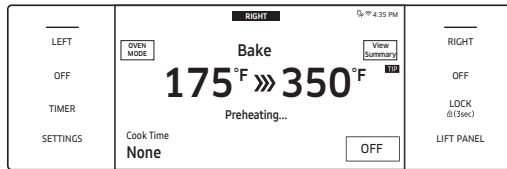
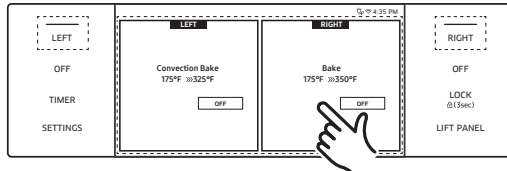
- Si selecciona Convection Bake (Hornear por convección) o Convection Roast (Asar por convección). La pantalla mostrará información de InstantHeat™. (Predeterminado: **OFF [APAGADO]**). Toque InstantHeat™ para activar la función; la pantalla mostrará **ON (ENCENDIDO)**.

NOTA

- Para obtener mejores resultados, cocine en una sola parrilla. (Hornee en el nivel 3 o 4 de parrilla; ase en el nivel 1 o 2).
- Cuando use InstantHeat™, no precaliente el horno.
- Precaliente el horno si horneará alimentos que necesitan leudar, como pasteles u hojaldres.

Uso del horno básico

Ajuste de la temperatura durante la cocción



Si usa el modo simple, haga alguna de las siguientes acciones:

- Toque **RIGHT** (DERECHA) (área o botón) y después el área de temperatura, y use el teclado para ingresar una nueva temperatura.
- Coloque los alimentos en el horno después de precalentarlo, si así lo requiere la receta. El precalentamiento es muy importante para lograr buenos resultados cuando se hornean tortas, pasteles, galletas, masas y panes. Cuando se alcanza la temperatura programada, el horno emite 6 pitidos.

- El ventilador del horno de convección se apaga cuando se abre la puerta del horno.
- NO deje la puerta abierta por mucho tiempo mientras utilice la cocción por convección porque puede acortarse la vida útil del elemento de calentamiento por convección.

NOTA

- Si la puerta está abierta mientras el horno está en funcionamiento, la cocción se detiene automáticamente después de 2 minutos.
- Cuando finalice la cocción, el ventilador de enfriamiento funcionará hasta que el horno se enfríe.
- Drene el agua residual después de cocinar al vapor. No interrumpa el proceso de drenaje.
- Después de la cocción al vapor, vacíe la reserva para que el agua residual no afecte los otros modos de cocción.
- La temperatura del termómetro del horno puede diferir de la temperatura establecida.
- El ventilador de convección normalmente activa y desactiva los ciclos durante la cocción.

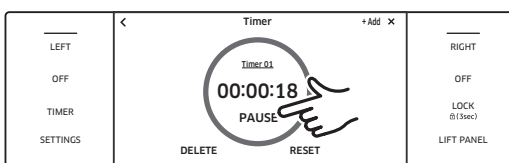
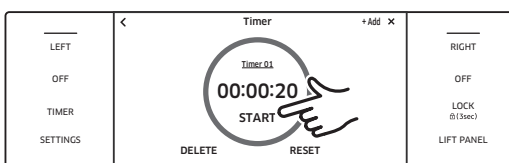
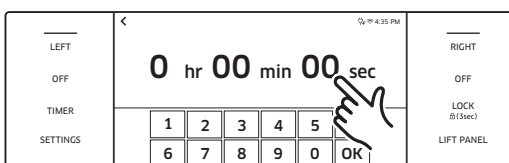
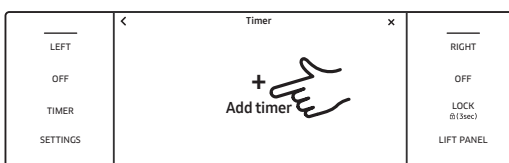
PRECAUCIÓN

Siempre se debe asar con la puerta del horno cerrada. Abra la puerta con cuidado. Espere a que el aire caliente salga antes de retirar la comida del horno o colocarla dentro de este.

Uso del temporizador de cocina

Este temporizador adicional emite un pitido cuando se termina el tiempo programado. Funciona con todos los modos de funcionamiento, pero no comienza ni detiene funciones de cocción.

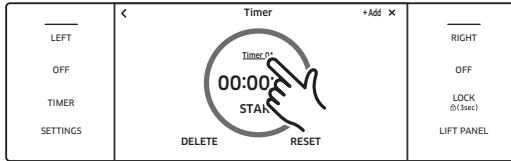
Cómo ajustar el temporizador



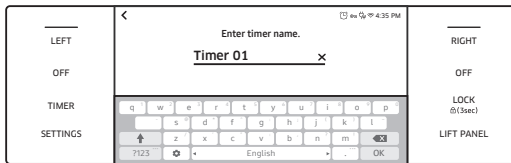
1. Toque **TIMER (TEMPORIZADOR)**.
2. En la pantalla del temporizador, toque **+ Add timer (Agregar temporizador)**.
3. Use el tablero numérico para programar el tiempo, que puede ir de 1 segundo a 23 horas, 59 minutos y 59 segundos.
4. Toque **START (INICIO)**. Cuando transcurre el tiempo establecido, el horno emite un pitido; la pantalla muestra que el temporizador se completó según lo establecido.
 - Pause, reinicie o elimine el temporizador en cualquier momento tocando la pantalla.
 - (Estufa de 48" [122 cm]) El temporizador que programe en el horno izquierdo puede usarse en el derecho y viceversa.

Uso del horno básico

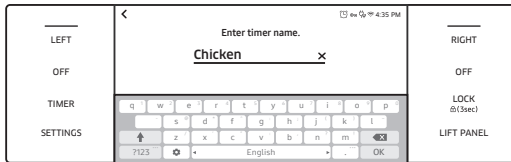
Cambiar el nombre del temporizador



Puede cambiar el nombre del temporizador para que muestre la tarea de cocción (p. ej., pollo).



1. Toque el área del nombre del temporizador (aparece el teclado).



2. Use el teclado para establecer el nombre del temporizador (La pantalla muestra el nuevo nombre).



Uso de la cocción programada

El horno se enciende inmediatamente, cocina durante el tiempo programado y se apaga cuando termina la cocción. La cocción programada solo funciona con otra operación de cocción (Bake [Hornear], Convection Bake [Hornear por convección], Convection Roast [Asar por convección], Pure Conv. Sear [Abrasar por convección pura], Convection Broil [Asar a la parrilla por convección], Steam Bake [Hornear al vapor], Steam Roast [Asar al vapor], Dual Four Part Pure Convection [Convección doble pura de cuatro partes], Steam [Vapor], Proof [Leudar], modo Stone Bake [Hornear a la piedra], Dehydrate [Deshidratar], Fine Steam [Vapor fino]).

NOTA

Consulte la página 42 para conocer los modos disponibles para cada horno.



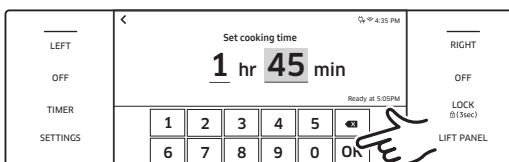
1. (Estufa de 48" [122 cm]) Toque **LEFT** (IZQUIERDA) o **RIGHT** (DERECHA) y deslice a una operación de cocción. Seleccione un modo de cocción.



2. Toque **Cook Time** (Tiempo de cocción) (la pantalla cambia a la pantalla de tiempo de cocción).



3. Toque los números en el tablero numérico para programar el tiempo de cocción (de 1 minuto a 9 horas y 59 minutos).



4. El tiempo de cocción aparece en el área Cook Time (Tiempo de cocción) de la pantalla. Cancele el tiempo programado en cualquier momento programándolo en 0 minutos.



PRECAUCIÓN

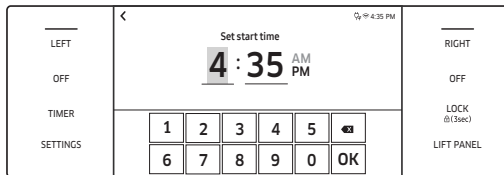
Use la cocción programada y el inicio retardado para cocinar carnes curadas o congeladas y la mayoría de las frutas y las verduras. Los alimentos que se pueden echar a perder fácilmente (leche, huevos y pescado, o carne roja o de ave) primero deben enfriarse en el refrigerador. Incluso la comida fría no debe permanecer en el horno durante más de una hora antes de que comience la cocción, y se debe retirar de inmediato cuando finalice la cocción.

Uso del horno básico

Uso del modo Delay Start (Inicio retardado)

En este modo, el temporizador del horno lo enciende de acuerdo con la hora establecida. También puede hacer que el horno se apague solo una vez transcurrido un tiempo preestablecido mediante la configuración de una cocción cronometrada.

- El inicio retardado se puede utilizar únicamente con otra función de cocción (Bake [Hornear], Convection Bake [Hornear por convección], Convection Roast [Asar por convección], Pure Conv.Sear [Abrasar por convección pura], Steam Bake [Hornear al vapor], Steam Roast [Asar al vapor], Dual Four Part Pure Convection [Convección doble pura de cuatro partes], Steam [Vapor], Proof [Leudar], modo Stone Bake [Hornear a la piedra], Dehydrate [Deshidratar], Fine Steam [Vapor fino], Self Clean [Autolimpieza]).
- Puede configurar el horno para un inicio retardado antes de configurar las otras funciones de cocción.
- El reloj debe estar configurado en la hora actual.



1. Ajuste las parrillas y coloque la comida en el horno.
2. (Estufa de 48" [122 cm]) Toque **LEFT** (IZQUIERDA) o **RIGHT** (DERECHA) y deslice a un modo de cocción. Seleccione un modo de cocción.
3. Establezca el tiempo de cocción si desea que el horno se apague en un tiempo establecido. (Consulte la sección Uso de la cocción programada, pág. 51).
4. Toque **Delay Start** (Inicio retardado). (La hora actual aparece como primera entrada).
5. Utilice el teclado numérico para programar el tiempo de inicio de cocción. (Se cierra la pantalla de inicio retardado; aparecen en la pantalla la hora de inicio y, si lo programó, el tiempo de cocción).

Uso de las funciones de limpieza

La función Limpiar tiene cuatro opciones: Self-Clean (Autolimpieza), GreenClean™, Descale (Descalcificar) y Draining (Drenaje).

Función	Pro Range de 48" (122 cm)	
	Izquierda	Derecha
Self Clean (Auto- limpieza)	-	0
GreenClean™	0	0
Descale (Descal- cificar)	0	-
Draining (Dre- naje)	0	-

Autolimpieza (horno derecho de 48") El horno autolimpiante utiliza temperaturas muy superiores a las de cocción para quemar la grasa residual y los residuos por completo o para reducirlos a cenizas finas que usted pueda limpiar con un paño húmedo.

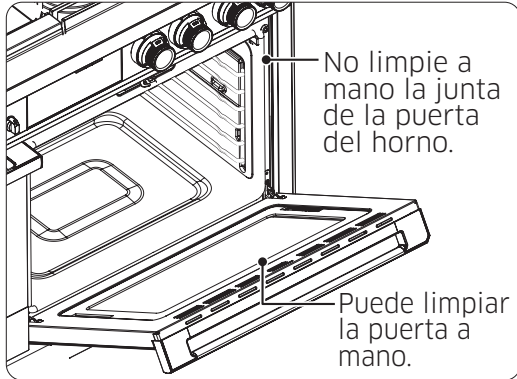
PRECAUCIÓN

- Durante la autolimpieza, el exterior del horno se calienta mucho. No permita que los niños se acerquen al artefacto sin supervisión.
- Los humos emitidos durante la autolimpieza son nocivos para las aves de compañía, que deben ser trasladadas temporalmente a una habitación separada y bien ventilada.
- No recubra ninguna parte del horno con papel de aluminio. Hacerlo impide la circulación del calor, provoca malos resultados y puede dañar permanentemente el interior del horno.
- No fuerce la puerta del horno para abrirla durante la autolimpieza, ya que correrá el riesgo de dañar el sistema de bloqueo automático. Párese a un lado del horno cuando abra la puerta después de la autolimpieza para dejar salir el aire caliente.

Uso del horno básico

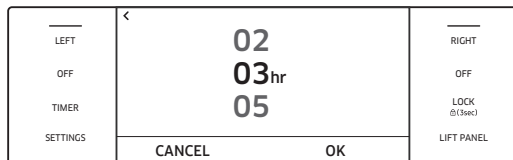
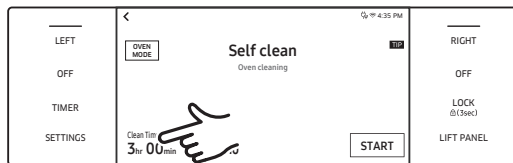
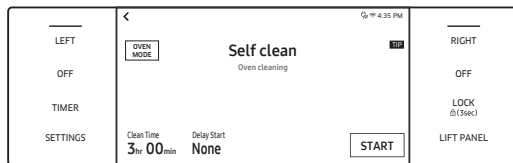
Self-Cleaning (Autolimpieza)

Esta función calienta la cámara del horno a una temperatura muy alta, e incinera los residuos hasta convertirlos en una ceniza fina que puede limpiarse con un paño húmedo.

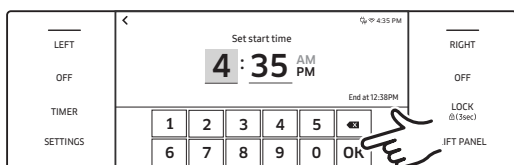


- Ventile bien la cocina durante el ciclo de autolimpieza.
- Si realiza la autolimpieza de las parrillas cromadas del horno, se oscurecerán, opacarán y se volverán difíciles de deslizar.
- Limpie a mano los residuos en el marco frontal del horno y fuera de la junta de la puerta con agua caliente, almohadillas de lana de acero llenas de jabón o limpiadores suaves. Enjuague con agua limpia y seque.
- Limpie los residuos de la base del horno.
- Asegúrese de que la cubierta de la luz del horno esté colocada y de que la luz esté apagada.

- Limpie a mano los residuos que haya en el marco frontal del horno y fuera de la junta de la puerta usando agua caliente, almohadillas de lana de acero llenas de jabón o limpiadores suaves. Enjuague con agua limpia y seque.
- No limpie la junta. Su material de fibra de vidrio no resiste la abrasión. La junta debe permanecer intacta. Si se gasta, reemplácela.
- Dacor recomienda realizar la autolimpieza solo una vez al año. Si necesita una limpieza adicional a lo largo del año, utilice la función de limpieza ecológica. (Consulte la página 55).



1. Retire las parrillas, el filtro del ventilador y los accesorios del horno.
2. Deslice la pantalla a **Clean** (Limpieza).
3. Toque **Self Clean (Autolimpieza)**.
4. Toque **Clean Time** (Tiempo de limpieza).
5. Toque la pantalla para establecer el tiempo de limpieza en 2, 3 o 5 horas [predeterminado: 3], y toque **OK**.
6. Si no usará la función Delay Start (Inicio retardado), vaya al Paso 8. De lo contrario, toque **Delay Start** (Inicio retardado) y vaya al Paso 7.



7. Programe el horario en el que quiere que comience la autolimpieza y toque **OK**.

8. Toque **START** (Iniciar) para comenzar la autolimpieza (se activa el bloqueo automático de la puerta; ambas puertas se bloquean cuando se ejecuta la autolimpieza en cualquiera de los hornos).

Si necesita cancelar la autolimpieza, toque **OFF** (APAGADO).

NOTA

- No puede iniciar la autolimpieza si la traba de controles está activa o si el horno está demasiado caliente.
- Durante la autolimpieza, las puertas del horno se bloquean automáticamente. La pantalla mostrará el tiempo de limpieza restante. Las puertas del horno no se abrirán hasta que el horno se haya enfriado completamente.
- La autolimpieza solo se puede utilizar en un horno a la vez, y el horno inactivo no se puede utilizar.
- No utilice la placa de cocción durante la autolimpieza.

Después de un ciclo de autolimpieza

- Limpie toda la ceniza con un paño húmedo (si quedan manchas, retírelas con un paño de lana de acero con jabón y enjuague por completo con una mezcla de vinagre y agua).
- Si el horno no está limpio después de un solo ciclo, repítalo.
- No puede poner el horno a cocinar hasta que la puerta se desbloquee.
- Es posible que se creen líneas delgadas dentro de la cavidad durante el enfriamiento y calentamiento reiterados del producto después de usarlo por mucho tiempo. Esto es normal y no afecta el funcionamiento del producto, y es inocuo para el ser humano.

GreenClean™

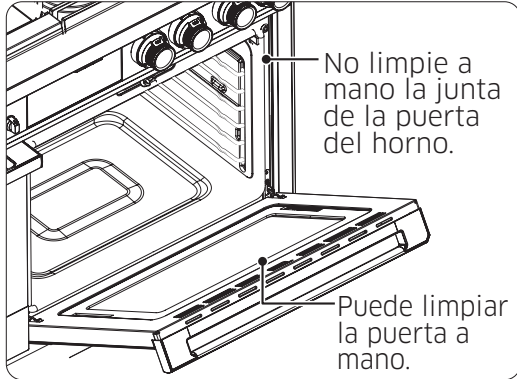
Esta función ahorra tiempo y energía porque calienta la cámara del horno lo suficiente como para aflojar los residuos de cocción para que puedan limpiarse con un paño húmedo.

PRECAUCIÓN

La puerta del horno se bloquea durante el ciclo GreenClean™. Si fuerza la puerta para abrirla, puede dañar el sistema de bloqueo automático.

Uso del horno básico

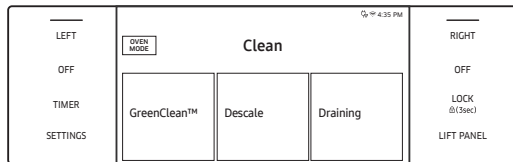
Antes de un ciclo GreenClean™



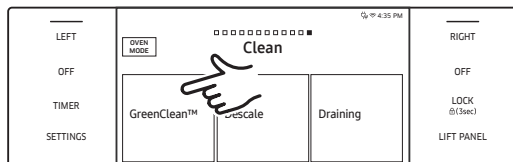
- Retire las parrillas, los soportes de las parrillas, la bandeja de asar, el inserto de la bandeja de asar y todos los utensilios de cocina.
- Las parrillas plateadas del horno se pueden limpiar con la limpieza ecológica, pero se oscurecerán y se volverá difícil deslizarlas.
- No limpie la junta de la puerta. Su material no soporta la abrasión. La junta debe permanecer intacta. Si se gasta, reemplácela.
- Asegúrese de que la cubierta de la luz del horno esté colocada
- y la luz esté apagada.

- Los residuos que haya en el marco frontal del horno y en la junta exterior del horno se deben limpiar a mano con agua caliente, paños de lana de acero con jabón o limpiadores como Soft Scrub. Enjuague bien con agua limpia y seque.

Ejecución de un ciclo GreenClean™



1. Deslice la pantalla a Clean (Limpieza).



2. Toque GreenClean™.



3. Toque **START** (INICIO) para comenzar GreenClean™ y siga las instrucciones que aparecen en la pantalla.

NOTA

- (Horno básico) Para obtener mejores resultados, vierta exactamente 10 oz (300 ml) de agua en el piso del horno.
- (Horno de vapor) Funciona con la función de vapor. Agregue 33,8 oz (1000 ml) de agua en la reserva.
- No puede iniciar GreenClean™ si la traba de controles está activa o hasta que el horno se enfríe.
- La puerta del horno se bloquea automáticamente. La pantalla muestra el tiempo de limpieza restante. No puede abrir las puertas del horno ni poner el horno a cocinar hasta que se haya enfriado.
- GreenClean™ puede usarse solo en un horno a la vez. Mientras un horno esté en modo GreenClean™, no podrá utilizar el otro para cocinar.

Después de un ciclo GreenClean™

- Hágase a un lado y abra con cuidado la puerta del horno para dejar salir el aire caliente de forma segura; el agua residual en el suelo del horno está lo suficientemente caliente como para quemarlo.
- Retire de inmediato el agua residual con una esponja.
- Con una esponja empapada en detergente o un cepillo suave, limpie el interior del horno. Elimine los residuos resistentes con un estropajo de nailon y la cal con un paño empapado en vinagre.
- Si el horno sigue sucio, puede repetir el procedimiento una vez que se haya enfriado.
- Después de limpiar y secar el interior, deje la puerta del horno entreabierta para que la superficie esmaltada interior pueda secarse completamente.

Descale (Descalcificar) (horno de vapor)

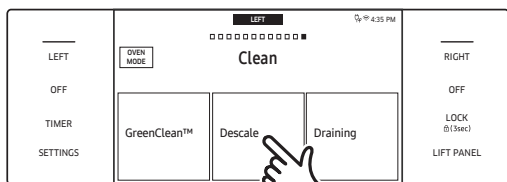
Si utiliza funciones de vapor, debe descalcificar regularmente para eliminar los minerales del horno que puedan afectar al sabor o a la calidad de su cocina. Para un ciclo de descalcificación, use solo agentes específicos para hornos de vapor o cafeteras.

NOTA

Si utiliza las funciones de vapor durante un período específico, se encenderá el indicador de descalcificación. Puede utilizar las funciones de vapor durante unas horas sin descalcificar; sin embargo, cuando se agoten esas horas, todas las funciones de vapor se desactivarán hasta que ejecute un ciclo de descalcificación.

DOP48C96D**	Hora de funcionamiento		
DUREZA DEL AGUA	Alerta preliminar	Alerta de limpieza	
Blanda	39	42	(+3)
Intermedia	30	33	(+3)
Dura	23	26	(+3)

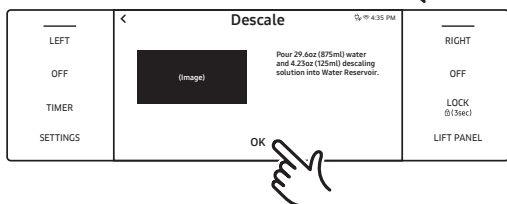
Uso del horno básico



1. Deslice la pantalla a Clean (Limpieza).
2. Toque **Descale** (Descalcificar).

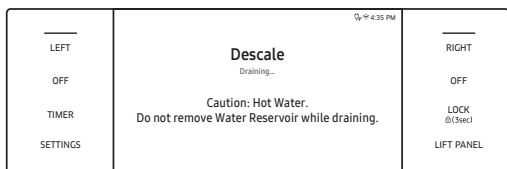


3. Toque **START** (INICIO).

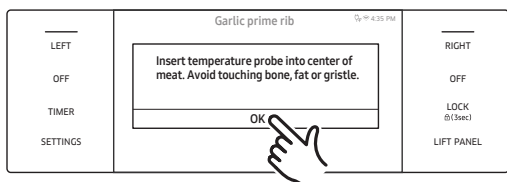


4. Siga las instrucciones que aparecen en la pantalla. El ciclo dura 3 horas. Vacíe y limpie la reserva y vierta el agua y el agente descalcificador. (Consulte la tabla para conocer las cantidades).

Cantidad necesaria	Agua		Solución descalcificadora		Agua de enjuague	
	oz	ml	oz	ml	oz	ml
Horno de vapor de 48"	29,6	875	4,2	125	50,7	1500



5. Cuando finalice el ciclo, el agua se drenará automáticamente.
6. Use guantes de cocina para retirar y vaciar la reserva de agua y, a continuación, rellénela con agua del grifo. Para el enjuague, consulte la tabla anterior.



7. Siga las instrucciones que aparecen en la pantalla y después toque **OK** (ACEPTAR) para comenzar con el enjuague.



8. Una vez terminado, use guantes de cocina para vaciar y limpiar la reserva de agua.

⚠ PRECAUCIÓN

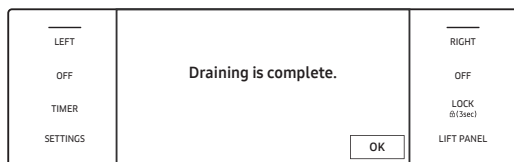
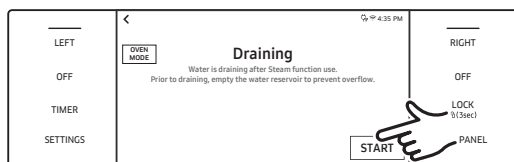
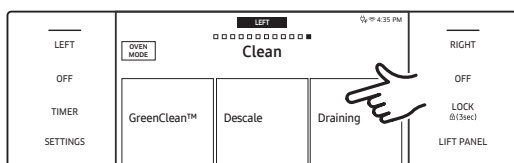
- Durante el ciclo de descalcificación, las funciones de vapor se inhabilitan. Si cancela el ciclo, debe reiniciarlo y completarlo en las siguientes 3 horas para habilitar las funciones de vapor.
- Para evitar accidentes, mantenga a los niños alejados del horno.
- Para conocer la proporción correcta de agua y del agente descalcificador, consulte las instrucciones del fabricante. Si la proporción no es de 8 a 1, use la proporción del agente descalcificador.

📖 NOTA

Si bien el horno comienza el ciclo de descalcificación de manera automática tras 5 segundos sin su confirmación, debe confirmar su selección para evitar que el ciclo comience por error.

Drenaje (Horno de vapor)

Cuando finaliza una función de vapor, debe drenar el agua restante para evitar que afecte los demás modos de cocción. Para drenar el agua, siga estos pasos:



1. Deslice la pantalla Clean (Limpieza) y toque **Draining** (Drenaje).
2. Toque **START** (INICIO). El horno drena el agua desde el generador de vapor hacia el depósito.
3. Cuando finalice el drenaje, use guantes de cocina para retirar y vaciar la reserva.

Uso del horno básico

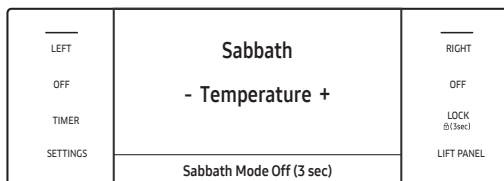
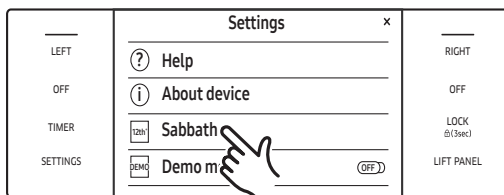
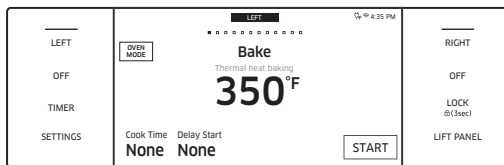
Uso de la función Shabat

(Para usar en festividades judías y Shabat)



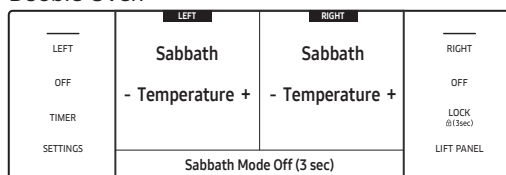
Para recibir más ayuda y ver guías de uso correcto y una lista completa de los modelos con la función Shabat, visite <http://www.star-k.org>.

Puede usar la función Shabat únicamente para hornear. Puede ajustar la temperatura del horno después de configurar la función Shabat. (Use el ajuste de la temperatura del horno únicamente durante las festividades judías). Sin embargo, la pantalla no cambiará y los tonos no sonarán cuando ocurra un cambio. Una vez que la función Shabat esté activa y el horno correctamente configurado, este permanecerá encendido hasta que se cancele la función. Esto anula la configuración predeterminada de fábrica de ahorro de energía de 12 horas. Para utilizar la luz del horno durante la función Shabat, toque **LIGHT** (Luz) antes de activar la función Shabat. Una vez que la luz del horno esté encendida con la función Shabat activa, la luz interior del horno permanecerá encendida hasta que se cancele la función Shabat. Si no usará la luz del horno, apáguela antes de activar la función Shabat.

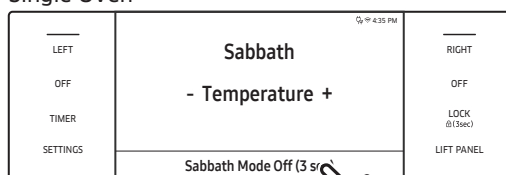


1. Deslice la pantalla para ir al modo Bake (Hornear).
2. Programe la temperatura y el tiempo de cocción que desee.
3. Toque **START** (INICIO).
4. Toque **SETTINGS > Sabbath** (CONFIGURACIÓN > Shabat) y luego **Sabbath** (Shabat) para iniciar el modo Shabat. (El horno no emitirá pitidos ni mostrará cambios; puede cambiar la temperatura del horno una vez que comience la cocción).

Double Oven



Single Oven



5. Para apagar el modo Shabat, mantenga presionado **Sabbath Mode Off (3 sec)** (Apagar modo Shabat [3 s]) durante 3 segundos.
6. Apague el horno en cualquier momento tocando **OFF** (APAGADO). (Esto no cancela el modo Shabat).

NOTA

- Después de cambiar la temperatura mientras la unidad se encuentra en el modo Shabat, hay un retraso de 15 segundos antes de que la unidad reconozca el cambio.
- Puede establecer la función Cook Time (Tiempo de cocción) antes de activar el modo Shabat.
- Si se produce una falla o una interrupción del suministro eléctrico, el horno se apaga. Cuando vuelve la corriente, Shabat aparece en la pantalla de control, pero el horno está desactivado. Los alimentos pueden sacarse del horno; sin embargo, el horno no puede encenderse hasta después de las fiestas judías.

PRECAUCIÓN

Para permitir que el horno alcance la temperatura establecida, no abra la puerta del horno ni cambie la temperatura del horno durante unos 30 minutos después de iniciar el modo Shabat.

Uso del horno básico

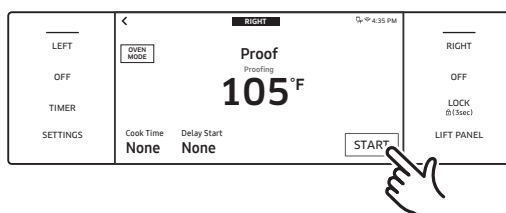
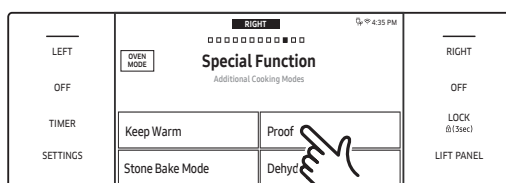
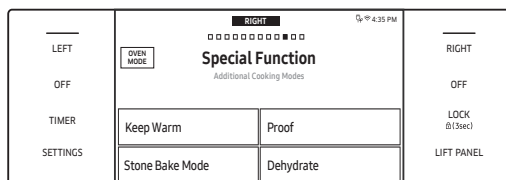
Uso de las funciones especiales

Hay cuatro opciones de cocción especializadas.

Modo	Rango de temperatura	Horno básico 48" Pro Range
Keep Warm (Mantener caliente)	Ninguno	0
Proof (Leudar)	95 °F (35 °C) / 105 °F (40 °C)	0
Modo Stone Bake (Hornear a la piedra)	175 °F (80 °C) - 550 °F (285 °C)	0
Dehydrate (Deshidratar)	105 °F (40 °C) - 225 °F (105 °C)	0

** No se puede ajustar. Se aplica la temperatura establecida de fábrica para un mejor funcionamiento.

Modo	Instrucciones									
Keep Warm (Mantener caliente)	<ul style="list-style-type: none"> Mantendrá caliente la comida caliente hasta servirla durante hasta 3 horas después de finalizada la cocción. Use este modo solo o prográmelo para que se active después de la cocción programada o el inicio retardado. No se usa para recalentar alimentos; la temperatura de 175 °F no es ajustable. 									
Proof (Leudar)	<ul style="list-style-type: none"> Proporciona la temperatura óptima para el leudado de masas: <ul style="list-style-type: none"> Horno izquierdo de 48" : 85 °F / 95 °F (29 °C / 35 °C); Horno derecho de 48" : 95 °F / 105 °F (35 °C / 40,5 °C); Para obtener mejores resultados, inicie el modo Proof (Leudar) con el horno frío. 									
Modo Stone Bake (Hornear a la piedra)	<ul style="list-style-type: none"> Se necesita el accesorio de la piedra. Hornee pizzas y panes sobre una piedra de horneado o para pizza. Para obtener mejores resultados, precaliente con una piedra. 									
Dehydrate (Deshidratar)	<ul style="list-style-type: none"> Este modo les quita la humedad a los alimentos mediante la circulación de calor. Mantenga los alimentos deshidratados en un lugar fresco y seco. Agregue jugo de limón o piña, o espolvoree azúcar sobre las frutas para que retengan su dulzura. Consulte la siguiente tabla para conocer la configuración de Dehydrate (Deshidratar). <table border="1" data-bbox="509 1749 1349 1902"> <thead> <tr> <th>Categoría</th> <th>Nivel de parrilla</th> <th>Temperatura (°F)</th> </tr> </thead> <tbody> <tr> <td>Frutas o verduras</td> <td>3 o 4</td> <td>105 - 150</td> </tr> <tr> <td>Carne</td> <td>3 o 4</td> <td>145 - 225</td> </tr> </tbody> </table>	Categoría	Nivel de parrilla	Temperatura (°F)	Frutas o verduras	3 o 4	105 - 150	Carne	3 o 4	145 - 225
Categoría	Nivel de parrilla	Temperatura (°F)								
Frutas o verduras	3 o 4	105 - 150								
Carne	3 o 4	145 - 225								



1. Deslice a la pantalla Special Function (Función especial) y toque una opción de cocción.

2. Establezca la temperatura y toque **START (INICIO)**.

⚠ PRECAUCIÓN

- Si la temperatura del horno es superior a 125 °F (51,7 °C), la función Proof (Leudar) no funcionará correctamente.
- No use la función Proof (Leudar) para calentar alimentos. La temperatura de leudado no mantiene la comida caliente.
- Coloque la masa en un recipiente apto para horno en la posición de parrilla 3 o 4 y cúbralo con un paño o un envoltorio plástico. (Sujete el envoltorio de plástico debajo del recipiente para que el ventilador del horno no lo vuele).
- Para evitar que baje la temperatura del horno y prolongar el leudado, deje la puerta del horno cerrada.

📄 NOTA

- El precalentamiento no es necesario para las funciones especiales, excepto para el modo Stone Bake (Hornear a la piedra).
- Si la temperatura se establece fuera de rango, se oye un pitido que indica un error.

Uso del horno básico

Tabla de posiciones de la parrilla para las opciones de cocción especial

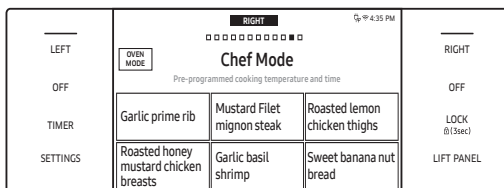
Modo	Posición de la parrilla
Keep Warm (Mantener caliente)	5
Proof (Leudar)	3
Modo Stone Bake (Hornear a la piedra)	1 o 2
Dehydrate (Deshidratar)	3 o 4

Funciones comunes:

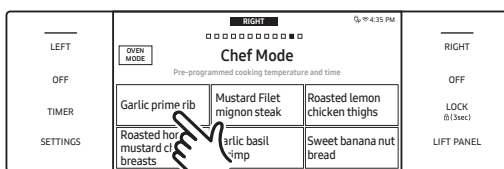
- Configuración básica
- Uso de la sonda de temperatura
- Programación del modo
- Programación de la temperatura.
- Temporizador
- Delay Start (Inicio retardado)
- Uso de la función de limpieza
- Uso de la función Shabat
- Uso de la función Control Inteligente
- Para encender el horno de forma remota
- Traba de controles
- Configuración

Uso del modo Chef

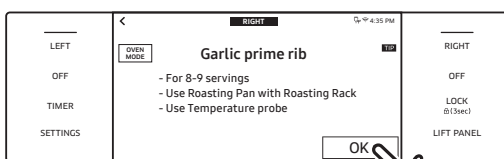
Quince platos del modo Chef simplifican la cocina a los usuarios principiantes, ahorrando tiempo o acortando la curva de aprendizaje. El tiempo de cocción y la temperatura se ajustarán de acuerdo con la receta seleccionada. Puede descargar recetas detalladas para cada función en el sitio web de Dacor.



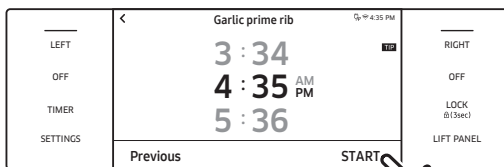
1. Deslice a la pantalla Chef Mode (Modo Chef).



2. Deslice y seleccione un plato del Chef Mode (Modo Chef).

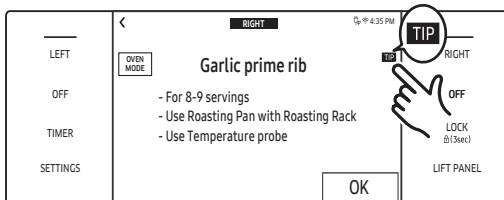


3. Siga las instrucciones que aparecen en la pantalla.

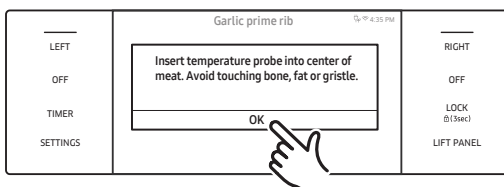


4. Toque **START** (INICIO) para comenzar a cocinar.

Consejos de cocina en el modo Chef



1. Toque **TIP** (CONSEJO) en la pantalla.



2. El consejo aparece junto con información relevante para la tarea de cocción. Cuando termine, toque **OK** (ACEPTAR).

Uso del horno básico

Uso del Control Inteligente

Para utilizar esta función, descargue la aplicación SmartThings en un dispositivo móvil. Las funciones operadas a través de SmartThings pueden no funcionar si las condiciones de comunicación son pobres o si la señal de Wi-Fi es débil en la ubicación del horno. Consulte la tabla para ver las funciones principales que se pueden operar desde la aplicación.

Cuando el Control Inteligente del horno está apagado	Monitoreo (horno, sonda), horno apagado
Cuando el Control Inteligente del horno está encendido.	Monitoreo (horno, sonda), inicio del horno, horno apagado, marca de error

Conexión del horno

1. Descargue y abra la aplicación Samsung SmartThings en su dispositivo inteligente.
2. Siga las instrucciones de la aplicación para conectar su horno.

El ícono de conexión aparece en la pantalla del horno y la aplicación confirma la conexión. Si el ícono de conexión no aparece, siga las instrucciones de la aplicación para realizar la conexión.

Encendido del horno de forma remota



Toque **SETTINGS > Connections > iQ Control > ON (CONFIGURACIÓN > Conexiones > Control Inteligente > Encendido)** (para el horno correspondiente).

Cuando el Control inteligente está encendido, puede **encender** o **apagar** el horno de forma remota y cambiar la configuración desde su dispositivo móvil.

NOTA

- El modo Self Clean (Autolimpieza) no se puede iniciar de forma remota.
- Abrir la puerta del horno desactiva el Control inteligente e inhabilita la operación remota.
- Incluso si el Control inteligente está desactivado, puede supervisar el estado del horno y apagarlo.
- Cuando la cocción finaliza o se cancela, el Control inteligente se apaga por sí solo.

Uso de la traba de controles

Este modo le permite desactivar las funciones del teclado táctil. Las puertas del horno también se bloquean automáticamente. La traba de controles se debe activar cuando el horno se encuentra inactivo.

Activación de la traba de controles



1. Cancele o apague todas las funciones.
2. Mantenga presionado **LOCK** (BLOQUEAR) durante 3 segundos.

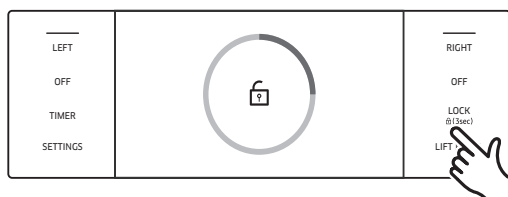


3. Aparecerá la pantalla Control Lockout (Traba de controles).

NOTA

La función Control Lockout (Traba de controles) está disponible únicamente cuando la temperatura es inferior a 400 °F.

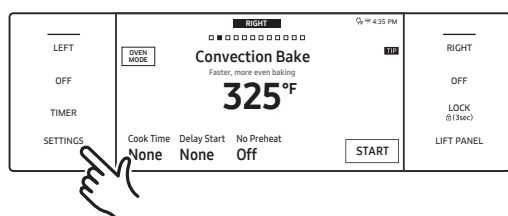
Desactivación de la traba de controles



Mantenga presionado **LOCK** (BLOQUEAR) durante 3 segundos. Los íconos de confirmación del bloqueo de controles y de bloqueo desaparecerán.

Uso de la configuración

Cambie la configuración predeterminada según desee o diagnostique problemas de conexión a la red.



Toque **SETTINGS** (CONFIGURACIÓN) para mostrar la pantalla de configuración.

Wi-Fi

Para activar la conexión al Wi-Fi:

1. Toque **SETTINGS > Connections > Wi-Fi** (CONFIGURACIÓN > Conexiones > Wi-Fi) y luego **ON** (ENCENDIDO) en la pantalla derecha. (Para desactivar el Wi-Fi, siga las mismas indicaciones, pero presione **OFF** [APAGADO]).
2. Toque **Wi-Fi** y luego una red de la lista que aparece.
3. Cuando se le indique, ingrese la contraseña.

Uso del horno básico

Para ingresar manualmente una dirección IP:

1. Toque **SETTINGS** > **Connections** > **Wi-Fi**(CONFIGURACIÓN > Conexiones > Wi-Fi) y luego **ON** (ENCENDIDO) en la pantalla derecha.
2. Toque **Wi-Fi** > **Add Network** (Wi-Fi > Agregar red).
3. Ingrese una dirección IP manualmente, después toque **CONNECT** (CONECTAR) para aplicar su configuración.

NOTA

Para obtener más información sobre las funciones anteriores, consulte el manual del usuario de Samsung SmartThings.

Pantalla

1. Brillo

Puede cambiar el brillo de la pantalla.

- Toque **SETTINGS** > **Display** > **Brightness** (CONFIGURACIÓN > Pantalla > Brillo) y use la barra adyacente para ajustar el brillo de la pantalla.

2. Protector de pantalla

Si el protector de pantalla está desactivado, el tema Reloj y el menú Tiempo de espera están desactivados.

- Toque **SETTINGS** > **Display** > **Screen saver** (CONFIGURACIÓN > Pantalla > Protector de pantalla) y toque **OFF** (APAGADO) en la pantalla derecha.

3. Tema del reloj

- Toque **SETTINGS** > **Display** > **Clock theme** (CONFIGURACIÓN > Pantalla > Tema del reloj) y luego la pantalla derecha y seleccione un tema.

4. Establecer la pantalla del reloj para que siempre esté encendida

- Vaya al **Menú**.
- Seleccione **SETTINGS** > **Display** > **Timeout** > **Always On** (CONFIGURACIÓN > Pantalla > Tiempo de espera > Siempre encendido).
- Cuando se configura el reloj de la pantalla, durante la primera hora se muestra el tema de prevención de quemado (tipo analógico o tipo digital).
- Reloj analógico: **Centro** > **Izquierda** > **Derecha** (repetición del movimiento)
- Reloj digital: **Arriba** > **Abajo** (repetición del movimiento)

Temperatura

1. Unidad de temperatura

Puede programar el control del horno para que muestre la temperatura en Fahrenheit o Celsius. El horno se ha preestablecido de fábrica para mostrarse en grados Fahrenheit.

- Toque **SETTINGS > Temp > Temp unit** (CONFIGURACIÓN > Temperatura > Unidad de temperatura) y luego la pantalla derecha y seleccione °C o °F.

2. Ajuste de la temperatura

La temperatura del horno viene calibrada de fábrica. Cuando utilice el horno por primera vez, siga los tiempos y las temperaturas de la receta en todo momento. Si el horno cocina demasiado caliente o frío, puede recalibrar la temperatura del horno. Antes de hacerlo, pruebe una receta utilizando una temperatura superior o inferior a la estipulada en la receta. Los resultados lo ayudarán a decidir el grado de ajuste. (La temperatura del horno se puede ajustar en ±35 °F [±19 °C]). Este ajuste no afectará la temperatura para asar a la parrilla ni la de autolimpieza. El ajuste se conservará después de un corte eléctrico.

- Toque **SETTINGS > Temp > Temp Adjust** (CONFIGURACIÓN > Temperatura > Ajustar temperatura) y luego la pantalla derecha y ajuste la temperatura.
- La temperatura puede aumentar o disminuir en 35 °F (19 °C).

Volumen

Ajusta el nivel de volumen de los pitidos y las melodías.

- Toque **SETTINGS > Volume** (CONFIGURACIÓN > Volumen) y use la barra adyacente para ajustar el volumen.

Luz

La Pro Range de Dacor tiene dos características de iluminación distintivas: La iluminación cenital ilumina las perillas desde arriba, y la iluminación de bienvenida es un haz que aparece cuando se levanta el panel LCD.

- Para ajustar la iluminación de ducha, toque **SETTINGS > Lightings** (CONFIGURACIÓN > Luces) y seleccione **On** (Encendida), **Automatic** (Automática) u **Off** (Apagada).
- Para ajustar la iluminación de bienvenida, toque **SETTINGS > Lightings** (CONFIGURACIÓN > Luces) y seleccione **On** (Encendida) u **Off** (Apagado).

Ahorro de energía de 12 horas

Esta función apaga el horno después de 12 horas de horneado o 3 horas de asado a la parrilla.

1. Toque **SETTINGS > 12 hour energy saving** (CONFIGURACIÓN > Ahorro de energía de 12 horas) y toque **ON** (ENCENDIDO) en la pantalla derecha.
2. Aparecerá el ícono de ahorro de energía de 12 horas en el área del indicador.

Dureza del agua

Ajuste la dureza del agua para el horno de vapor (cuanto más dura sea el agua, más seguido deberá descalcificar).

- Toque **SETTINGS > Water hardness** (CONFIGURACIÓN > Dureza del agua) y seleccione **Soft** (Blanda), **Medium** (Intermedia) o **Hard** (Dura).

Uso del horno básico

Control inteligente

Para encender el horno de forma remota.

- Toque **SETTINGS** > **Connections** > **iQ Control** (CONFIGURACIÓN > Conexiones > Control Inteligente) y toque **ON** (ENCENDIDO) en el horno correcto. (Consulte la sección **Uso del Control Inteligente**, pág. 66).

Conexión simple

Configure fácilmente la red, lo que incluye el procedimiento de autenticación.

- Toque **SETTINGS** > **Connections** > **Easy connection** (CONFIGURACIÓN > Conexiones > Conexión simple) y luego **CONNECT** (CONECTAR).

Conexión de la campana

Al conectarse a la campana, esta se **enciende** o **apaga** automáticamente mientras usa la placa de cocción.

1. Toque **SETTINGS** > **Connections** > **Hood connectivity** (CONFIGURACIÓN > Conexiones > Conectividad de la campana).
2. Active el Bluetooth de la campana.
3. Toque **CONNECT** (Conectar) en la pantalla LCD para conectarse a la campana.

Modelo de la estufa con control de campana	Modelo de campana
DOP48C96D**	DHD30M967W, DHD36M967I, DHD36M987W, DHD48M967I, DHD48M987W

Ayuda

En la sección Ayuda, se ofrecen consejos y explicaciones útiles para el elemento puntual que seleccione.

1. Solución de problemas
 - Toque un punto de control directamente en la pantalla y pruebe las sugerencias.
2. Guía para el primer uso
 - Proporciona instrucciones sencillas sobre el uso básico del horno.

Acerca del dispositivo

Puede ver información sobre el horno y hacer una actualización del software. Para actualizar el software:

1. Toque **SETTINGS** > **About device** > **Software update** (CONFIGURACIÓN > Acerca del dispositivo > Actualización del Software) y luego **Update** (Actualizar) en la pantalla derecha.
2. Toque **INSTALL** (INSTALAR). El software se actualiza y el sistema se reinicia automáticamente.

Shabat

Puede establecer el modo Shabat. Consulte la sección Uso de la función Shabat, pág. 60.

Modo Demo

Este modo solo se utiliza para la visualización en comercios minoristas. (El elemento de calor no funciona).

1. Toque **SETTINGS** > **Demo mode** (CONFIGURACIÓN > Modo Demo) y luego **ON** (ENCENDIDO) en la pantalla derecha.
2. El indicador de modo Demo aparecerá en la pantalla.

Gestión remota

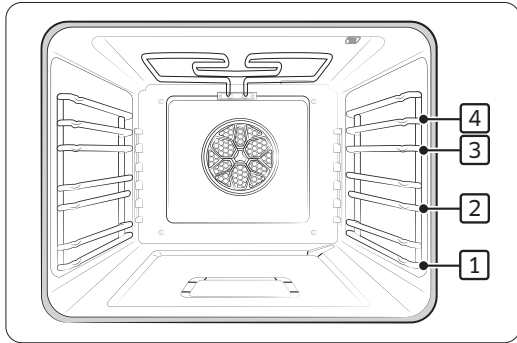
El centro de ayuda telefónica accederá a su producto de forma remota para realizar comprobaciones internas cuando tenga algún problema.

- Toque **SETTINGS** > **Connections** > **Remote management** (CONFIGURACIÓN > Conexiones > Gestión remota) y luego **ACTIVATE** (ACTIVAR).

Uso del horno de vapor

Uso de las parrillas del horno

Horno izquierdo



Niveles de la parrilla para ciertas tareas de cocción (solo a modo de referencia)

Cada parrilla tiene topes que se deben colocar adecuadamente en los soportes. Estos topes evitan que la parrilla se salga completamente.

1. Tire de la parrilla en línea recta hacia fuera hasta que se detenga, luego inclínela hacia arriba para soltar el seguro y tire de la parrilla hacia fuera del horno.
2. Coloque el extremo de la parrilla sobre el soporte, inclínelo hacia arriba para encajarlo y empuje la parrilla hacia dentro.

PRECAUCIÓN

- No recubra ninguna parte del horno con papel de aluminio. Esto perjudica los resultados del horneado y puede dañar el horno.
- Acomode las parrillas solo cuando el horno esté frío.

Acerca de las funciones del horno

Horno	Funciones del horno
Horno básico	Bake (Hornear), Convection Bake (Hornear por convección), Convection Roast (Asar por convección), Broil (Asar a la parrilla), Pure Convection Sear (Abrasar por convección pura), Convection Broil (Asar a la parrilla por convección), Dual 4-Part Pure Convection (Convección pura de 4 partes doble), Special Function (Función especial), Chef Mode (Modo chef), Clean (Limpieza).
Horno de vapor	Bake (Hornear), Convection Bake (Hornear por convección), Convection Roast (Asar por convección), Broil (Asar a la parrilla), Convection Broil (Asar a la parrilla por convección), 4-Part Pure Convection (Convección pura de 4 partes), Steam Bake (Hornear al vapor), Steam Roast (Asar al vapor), Steam (Vapor), Special Function (Función especial), Special Steam Cook (Cocción de vapor especial), Clean (Limpieza).

Toque LEFT (IZQUIERDA), deslice para seleccionar un modo de cocción y programe una temperatura. (Consulte las secciones **Configuración de la temperatura**, pág. 46 e **Instrucciones básicas para hornear y asar a la parrilla**, pág. 77).

Modo	Rango de temperatura	Modelo de 48"		Sonda de temperatura	Instant Heat™
		Izquierda	Derecha		
Hornear	175 °F (80 °C) - 450 °F (230 °C)	0	0	0	-
Asar/Hornear por convección	175 °F (80 °C) - 450 °F (230 °C)	0	0	0	-
Asar a la parrilla	Alto / Bajo	0	0	-	-
Pure Conv. Sear (Abrasar por convección pura)	175 °F (80 °C) - 475 °F (245 °C)	-	0	0	-
Convection Broil (Asar a la parrilla por convección)	175 °F (80 °C) - 450 °F (230 °C)	0	0	-	-
Steam Bake (Hornear al vapor) y Steam Roast (Asar al vapor)	230 °F (110 °C) - 450 °F (230 °C)	0	-	0	-
4-Part Pure Convection (Convección pura de 4 partes)	175 °F (80 °C) - 450 °F (230 °C)	0	0	0	-
Vapor	215 °F (100 °C)	0	-	0	-

Modo de cocción con la función Steam (Vapor)

En la pantalla, toque LEFT (IZQUIERDA) y seleccione Steam (Vapor) o Special (Especial). Las temperaturas de Steam (Vapor) y Fine Steam (Vapor fino) (215 °F/100 °C y 195 °F/90 °C respectivamente) no son ajustables. Para la cocción al vapor guiada y el recalentamiento al vapor, siga las instrucciones de la pantalla. Asegúrese de llenar la reserva de agua. (Consulte la Guía de recomendaciones para hornear y asar al vapor, esta página).

Modo	Instrucciones
Vapor	Un método de cocción suave mediante vapor; cocine al vapor verduras, mariscos, cereales, huevos y guarniciones; apto para todo tipo de alimentos, para embotellar, exprimir, recalentar.
Cocción de vapor especial	Consiste en lo siguiente: Vapor fino, cocción al vapor guiada, recalentamiento con vapor.
Vapor fino	Un método de cocción muy suave adecuado para los mariscos y la pechuga de pollo; los alimentos quedarán más tiernos y suaves.
Cocción al vapor guiada	Dispone de 20 platos preprogramados en 5 categorías: aves y carne, pescado, verduras, huevos y cereales; el tiempo y la temperatura de cocción se ajustan según el menú seleccionado.
Recalentamiento con vapor	Caliente con vapor, luego utilice la convección o el horneado con vapor para terminar; el tiempo y la temperatura de cocción se ajustan según el menú seleccionado; hay disponibles 10 platos preprogramados.

Uso del horno de vapor

Guía de recomendaciones para hornear y asar al vapor.

Modo Steam (Vapor)	Nivel	Alimentos
Steam Bake (Hornear al vapor)	Alto	Panes de centeno, postres (flan con caramelo)
	Medio	Medialunas, pasteles, recalentados (pizza y guisos)
	Bajo	Bollería
Asar al vapor	Alto	-
	Medio	Carnes rojas, de ave
	Bajo	Pavo, carnes grandes

Tiempos de cocción recomendados para el modo Steam (Vapor)

1. Verduras

Coloque las verduras en la bandeja perforada en el nivel 2 de la parrilla y la bandeja sin perforar en el nivel 1 para atrapar los goteos.

Alimento	Tamaño	Tiempo de cocción
Alcaucil, remolacha	Entero	30 - 35 min
Brócoli, coliflor	Cogollos	10 - 15 min
Col	Desmenuzada	25 - 35 min
Papas (sin pelar)	Medianas	30 - 40 min
Papas (peladas)	En cuartos	20 - 25 min
Arvejas	-	5 - 10 min
Judías verdes	-	15 - 20 min
Zanahorias	En rebanadas	10 - 20 min
Colirrábano	Rebanadas	15 - 20 min
Puerro	Rebanadas	4 - 6 min
Espárragos verdes	Entero	8 - 10 min
Espárragos blancos	Entero	10 - 15 min
Espinaca	-	4 - 6 min
Coles de Bruselas	Entero	20 - 25 min
Zucchini	Rebanadas	2 - 3 min

2. Carne, aves y pescado

Coloque los alimentos en la bandeja perforada en el nivel 2 de la parrilla y la bandeja sin perforar en el nivel 1 de la parrilla para atrapar los goteos.

Alimento	Tamaño	Tiempo de cocción
Chuletas de cerdo	En rebanadas	15 - 25 min
Salchicha	Entero	12 - 15 min
Pechuga de pollo	25 lb	20 - 25 min
Filete de pescado	25 lb	12 - 15 min
Pescado entero	1 lb	20 - 25 min
Marisco	-	10 - 15 min
Camarón	-	8 - 10 min

Consejo: El modo Fine Steam (Vapor fino) es ideal para todo tipo de mariscos y pechugas de pollo porque brinda resultados húmedos y tiernos; el método de cocción es el mismo que la cocción al vapor pero con un tiempo de cocción un poco más largo.

Uso del horno de vapor

3. Cereales y guarniciones

Agregue agua como lo indica la receta.

Alimento	Tamaño	Accesorios	Modo de cocción	Tiempo de cocción
Arroz de grano largo	1 : 2	Bandeja de vapor sin perforar	Cocción al vapor	20 - 30 min
Arroz integral	1 : 2	Bandeja de vapor sin perforar	Cocción al vapor	30 - 40 min
Arroz basmati	1 : 1,5	Bandeja de vapor sin perforar	Cocción al vapor	20 - 30 min
Arroz vaporizado	1 : 1,5	Bandeja de vapor sin perforar	Cocción al vapor	10 - 20 min
Cuscús	1 : 1	Bandeja de vapor sin perforar	Cocción al vapor	5 - 10 min
Lentejas	1 : 2	Bandeja de vapor sin perforar	Cocción al vapor	35 - 45 min
Dumplings	-	Perforada + Sin perforar	Cocción al vapor	20 - 25 min
Huevos (pasados por agua)	Grande	Bandeja de vapor con agujeros	Cocción al vapor	10 - 13 min
Huevos (hervidos)	Grande	Bandeja de vapor con agujeros	Cocción al vapor	14 - 18 min

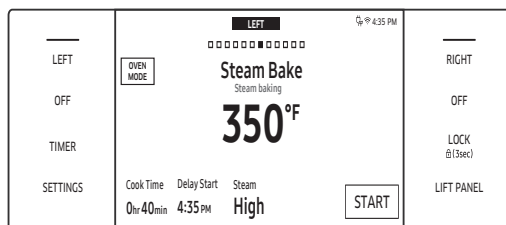
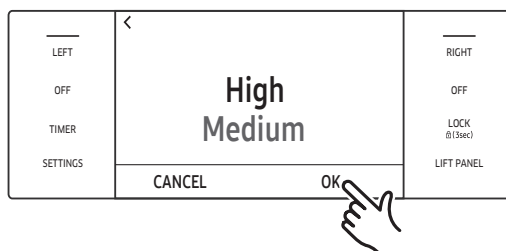
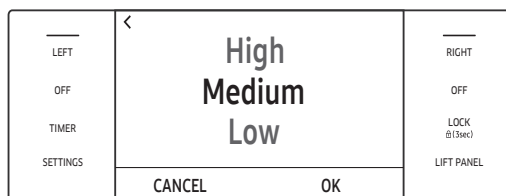
Uso del horno de vapor

4. Postres, compotas

Las compotas pueden ser de pera, bayas, cereza, manzana, ciruela o ruibarbo. Pese la fruta, agregue 1/3 de taza de agua y azúcar y especias a gusto.

Alimento	Tamaño	Accesorios	Modo de cocción	Tiempo de cocción
Dumplings de levadura	-	Bandeja de vapor con agujeros	Cocción al vapor	20-25 min
Arroz con leche	-	Bandeja de vapor con agujeros	Cocción al vapor	25-35 min
Yogur	-	Bandeja de vapor con agujeros	Leudado a 95 °F (35 °C)	5-6 h
Compota de fruta*		Bandeja de vapor con agujeros	Cocción al vapor	10-20 min

Instrucciones básicas para hornear y asar a la parrilla



Steam Bake (Hornear al vapor) y Steam Roast (Asar al vapor)

a. Si selecciona cualquiera de estos modos, la información sobre el nivel de vapor aparece en la pantalla (por defecto: medio).

b. Toque el área de vapor para ver la pantalla de ajuste del nivel de vapor. Configúrelo en Low (Bajo), Medium (Medio) o High (Alto).

c. Toque **OK** (Aceptar). Aparecerá el ajuste del nivel de vapor.

1. Aparecerá el nuevo nivel de vapor en la pantalla principal. Importante: Llene la reserva de agua antes de cocinar. (Consulte la sección **Uso de la reserva de agua**, pág. 9).

2. Si usa Cook Time (Tiempo de cocción) o Delay Start (Inicio retardado), prográmelo ahora (consulte las páginas 51-52 para ver las indicaciones) y toque **START** (INICIO).

Uso del horno de vapor

Uso del horno de vapor



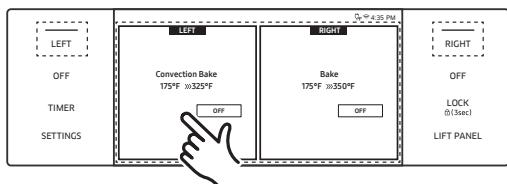
3. Toque **OFF** (APAGADO) cuando termine la cocción o para cancelarla.

Guía de recomendaciones para asar a la parrilla

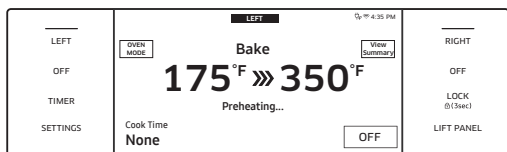
El tamaño, el peso, el grosor, la temperatura inicial y su preferencia del punto de cocción afectarán los tiempos de cocción. Esta guía se basa en carnes a temperatura refrigerada. Siempre utilice una bandeja para asar y su rejilla al asar a la parrilla. Siempre precaliente el horno durante 5 minutos antes de asar a la parrilla.

Alimento	Punto de cocción	Tamaño	Grosor	Nivel	Posición de las parrillas	Tiempo de cocción (min)	
						1.º lado	2.º lado
Hamburguesas	Cocido	6 hamburguesas	¾" (1,9 cm)	Alto	4	4:00 - 5:00	3:00 - 4:00
Filetes de res	Jugoso	-	1" (2,5 cm)	Alto	4	5:00 - 6:00	4:00 - 5:00
	Cocido	-	1 - 1½"	Alto	4	6:00 - 7:00	5:00 - 6:00
Presas de pollo	Bien cocido	2 lb	½ - ¾"	Lo (Bajo)	3	18:00 - 20:00	15:00 - 16:00
Chuletas de cerdo	Bien cocido	1 lb	1" (2,5 cm)	Lo (Bajo)	3	10:00 - 12:00	8:00 - 10:00
Filetes de pescado	Bien cocido	-	¼ - ½"	Lo (Bajo)	3	8:00 - 9:00	5:00 - 6:00

Ajuste de la temperatura del horno durante la cocción



Si utiliza los hornos en modo individual, toque el área IZQUIERDA o DERECHA de la pantalla, después toque el área de temperatura y utilice el teclado numérico para introducir una nueva temperatura.



⚠ PRECAUCIÓN

Al abrir y cerrar la puerta, apártese para dejar salir el aire caliente o el vapor de forma segura antes de sacar o introducir alimentos en el horno.

⚠ PRECAUCIÓN

El precalentamiento es importante para lograr buenos resultados cuando se hornean tortas, pasteles, galletas, masas y panes. Cuando se alcanza la temperatura programada, el horno emite 6 pitidos.

- El ventilador del horno de convección se apaga cuando se abre la puerta del horno.
- Dejar la puerta abierta durante la cocción por convección puede acortar la vida útil de la resistencia de convección.

📄 NOTA

- Si se deja la puerta abierta más de 2 minutos durante la cocción, todos los elementos de calor se apagan.
- Cuando termine de cocinar, el ventilador de refrigeración seguirá funcionando hasta que el horno se enfríe.
- Drene el agua residual después de cocinar al vapor. No interrumpa el ciclo de drenaje.
- Después de la cocción al vapor, vacíe la reserva para que el agua residual no afecte los otros modos de cocción.
- Si utiliza un termómetro de horno, su lectura puede diferir de la temperatura establecida en el horno.
- Normalmente, el ventilador de convección se **enciende** y **apaga** durante la cocción.
- La puerta del horno debe estar cerrada al usar este modo.

Uso de las funciones especiales

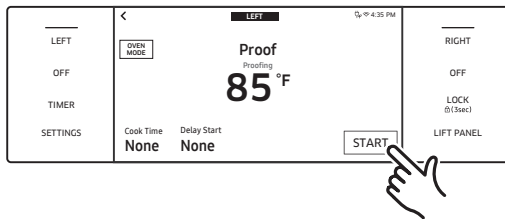
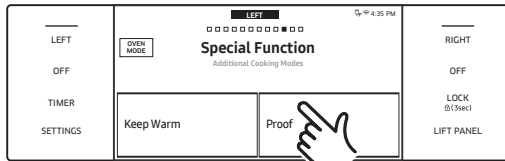
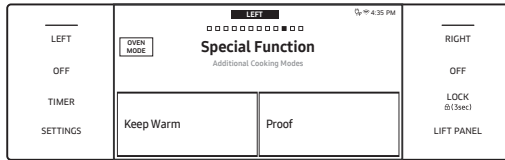
La función especial ofrece 2 opciones de cocción especializada.

Modo	Rango de temperatura	Horno de vapor 48" Pro Range
Keep Warm (Mantener caliente)	Ninguno	0
Proof (Leudar)	85 °F (29 °C) / 95 °F (35 °C)	0

** Se aplica una temperatura establecida de fábrica no ajustable para un mejor funcionamiento.

Modo	Instrucciones
Keep Warm (Mantener caliente)	<ul style="list-style-type: none"> • Mantendrá caliente la comida caliente hasta servirla durante hasta 3 horas después de finalizada la cocción. • Use este modo solo o prográmelo para la cocción programada o el inicio retardado. • La temperatura del modo Keep Warm (Mantener caliente) no es lo suficientemente alta para recalentar alimentos fríos.
Proof (Leudar)	<ul style="list-style-type: none"> • Proporciona la temperatura ideal para leudar masas de panes. <ul style="list-style-type: none"> - Estufa de 48" (122 cm) (horno izquierdo): 85 °F (29,4 °C) / 95 °F (35 °C); (horno derecho): 95 °F (35 °C) / 105 °F (40,6 °C) • Para obtener mejores resultados, inicie la opción Proof (Leudar) con el horno frío.

Uso del horno de vapor



1. Deslice a la página Special Function (Función especial).
2. Toque una opción.
3. Establezca una temperatura y toque **START (INICIO)**.

NOTA

La temperatura del modo Keep Warm (Mantener caliente) (175 °F [79,4 °C]) no es ajustable.

NOTA

- Si la temperatura del horno es superior a 125 °F (51,7 °C), el modo Proof (Leudar) no funcionará bien.
- No utilice la función Proof (Leudar) para calentar alimentos. La temperatura no es lo suficientemente alta como para calentar alimentos.
- Coloque la masa en un recipiente apto para horno en el nivel de parrilla 3 o 4 y cúbralo con un paño o un envoltorio plástico (asegúrese de que el ventilador del horno no pueda hacer volar el plástico).
- Para evitar tener que extender el tiempo de leudado, no abra la puerta del horno.
- De las cuatro funciones especiales, solo el modo Stone Bake (Hornear a la piedra) requiere precalentamiento.
- Sonará un pitido de error si la temperatura está fuera del rango establecido.
- Para el modo Keep Warm (Mantener caliente), utilice el nivel de parrilla 1 o 2. Para el modo Proof (Leudar), utilice el nivel de parrilla 3 o 4.

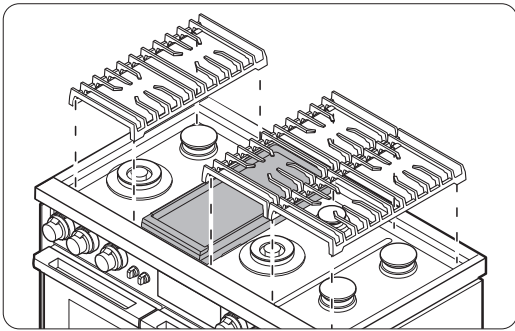
Mantenimiento de la placa de cocción

⚠ ADVERTENCIA

Apague el artefacto y deje que todas las superficies se enfríen antes de limpiar la placa de cocción. Use guantes de goma y tenga cuidado con los bordes afilados.

Limpeza de la superficie de la placa de cocción

Limpe los derrames de inmediato.



1. Apague todos los quemadores.
2. Cuando las rejillas se hayan enfriado lo suficiente, quítelas.
3. Limpie la superficie de la placa de cocción con un paño suave. Si los derrames llegan a los quemadores, quite las tapas junto con su cabezal y limpie los derrames.
4. Cuando termine, vuelva a montar los quemadores y a ubicar las rejillas.

Limpeza de superficies de acero inoxidable

Limpe derrames, manchas y exceso de grasa usando un paño suave húmedo.

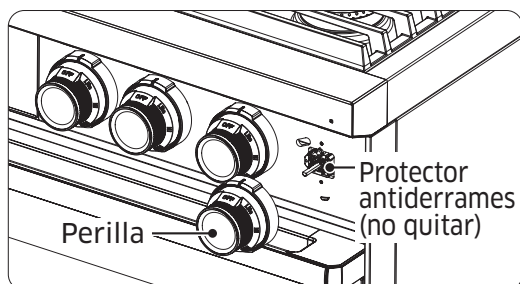
1. Use un limpiador aprobado para acero inoxidable o un paño o toalla de papel.
2. Si es posible, limpie un área pequeña a la vez, frotando en el sentido del veteado del acero inoxidable.
3. Seque la superficie con un paño suave y seco.

⚠ PRECAUCIÓN

- No utilice estropajos de acero, rascadores afilados ni limpiadores abrasivos que puedan dañar la estufa.
- No retire la cuenca de la placa de cocción. Las tuberías de gas pueden resultar dañadas y provocar un incendio o un mal funcionamiento.
- No vierta agua en la placa de cocción. El agua podría entrar en los mecanismos inferiores y causar un peligro de descarga eléctrica o niveles elevados de monóxido de carbono por la corrosión de las válvulas o los puertos de gas.
- No rocíe ningún limpiador dentro de los agujeros de las válvulas. El sistema de encendido interior debe permanecer seco.

Mantenimiento de la placa de cocción

Limpeza de las perillas de control



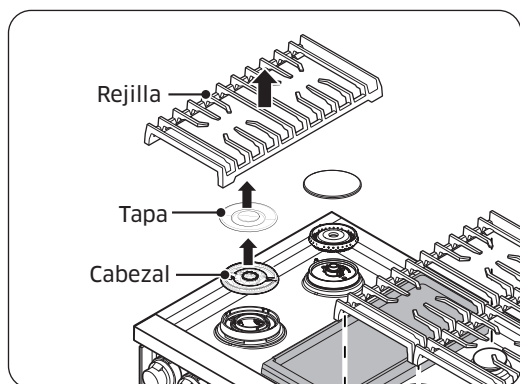
1. Retire las perillas de sus vástagos de válvula.
2. Limpie las perillas con agua caliente y jabón (no lavavajillas), enjuague y seque minuciosamente.
3. Limpie las superficies de acero usando un limpiador para artefactos de acero inoxidable.
4. Vuelva a poner las perillas.

⚠ PRECAUCIÓN

No rocíe el panel de control. Los circuitos pueden dañarse y crear un peligro de descarga eléctrica.

Armado y desarmado de los quemadores y las rejillas

Apague los quemadores y espere hasta que las superficies se enfríen.



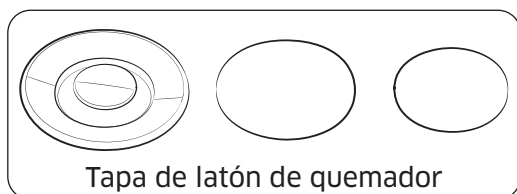
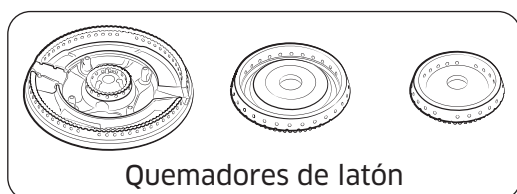
1. Quite las rejillas de los quemadores.
2. Quite las tapas y los cabezales de los quemadores.
3. Limpie las rejillas y las piezas de los quemadores con agua caliente y jabón. (No utilice paños ni limpiadores abrasivos).
4. Enjuague y seque minuciosamente las rejillas y las piezas de los quemadores. (Asegúrese de que los puertos de los quemadores estén secos).
5. Vuelva a acoplar los cabezales de los quemadores y asegúrese de colocar un electrodo de inicio en los agujeros de cada cabezal.
6. Termine de armar, asegurándose de que cada tapa quede plana sobre cada cabezal.
7. Ponga las rejillas donde corresponde.
8. Pruebe que todos los quemadores funcionen bien.

Acerca de las tapas y los cabezales de los quemadores

Lave las tapas y los cabezales de los quemadores con agua caliente y jabón, y enjuague con agua del grifo. Puede fregar con un estropajo de plástico para retirar los residuos de comida quemados. Utilice una aguja de coser o una atadura de alambre para destapar los agujeros pequeños de los cabezales de los quemadores, de ser necesario. Después de limpiar, devuelva todas las tapas y los cabezales de los quemadores a sus posiciones originales.

⚠ PRECAUCIÓN

Las piezas de los quemadores no pueden lavarse en el lavavajillas. No utilice lana de acero ni polvos limpiadores para lavarlos.

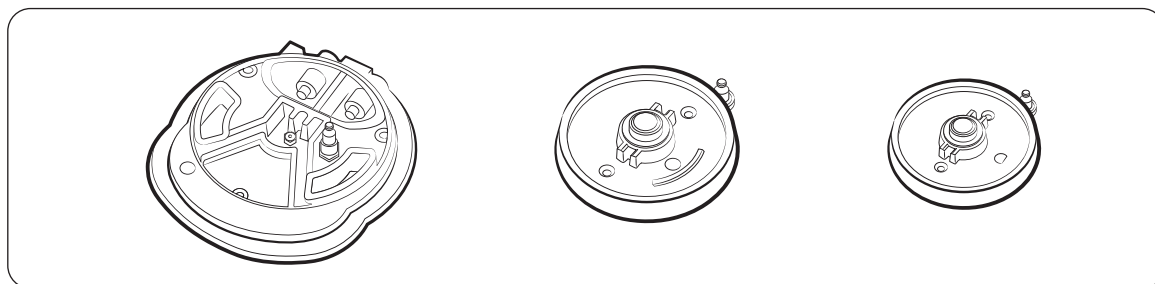


- Las piezas de latón se decolorarán. Sin embargo, esto no afectará su rendimiento.
- Luego de limpiar, verifique que los puertos de los quemadores estén destapados.
- Puede intercambiar las tapas del quemador originales por tapas de porcelana.
- Para retirar grasa quemada, sumerja la tapa del quemador en una solución con una taza de agua y una cucharada de vinagre blanco o de jugo de limón. No utilice cepillos metálicos para limpiarla, ya que esto puede dañar las partes de latón.

Acerca de las bases de los quemadores

⚠ PRECAUCIÓN

- Las bases de los quemadores no se pueden quitar.
- No deje que ingrese agua en las bases de los quemadores ni en los orificios de gas de latón.
- Pase un trapo húmedo con cuidado para no dañar las bases. Seque las bases por completo antes de usar la placa de cocción.

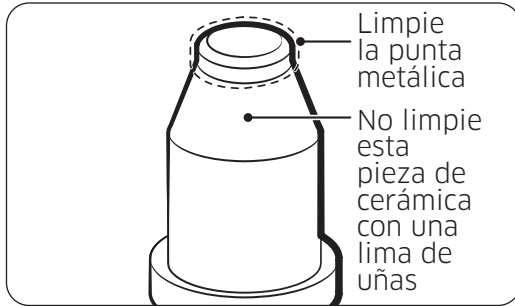


Mantenimiento de la placa de cocción

Acerca de los electrodos

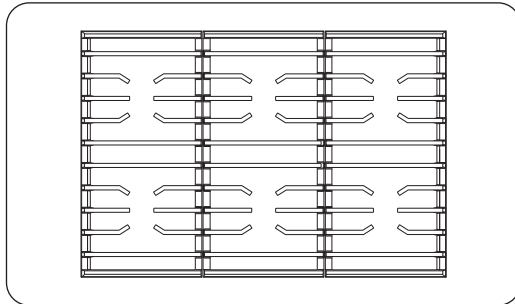
▲ ADVERTENCIA

No encienda la válvula mientras toca el electrodo; no intente retirar el electrodo.



- Limpie la parte de metal del electrodo con un paño suave.
- Limpie y seque los electrodos de cerámica blancos.
- No limpie los encendedores con agua.
- Antes de volver a montar los quemadores, empuje suavemente hacia abajo cada electrodo para verificar que haga contacto con las bases de los quemadores.

Acerca de las rejillas y el anillo para wok

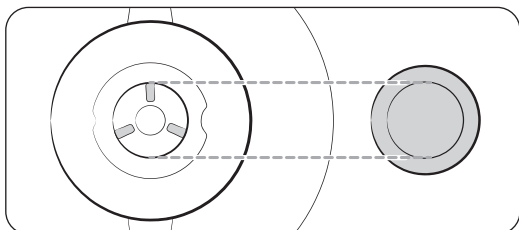
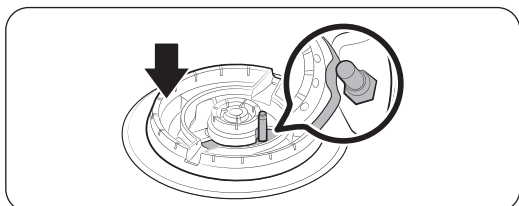
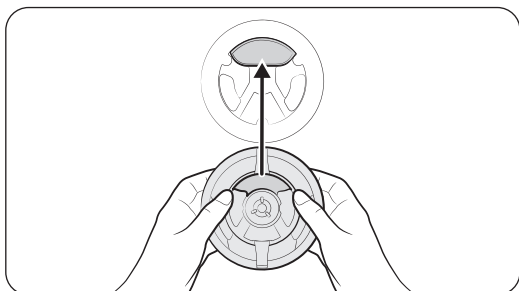


▲ PRECAUCIÓN

Las rejillas no pueden lavarse en el lavavajillas. Lávelas con regularidad y después de que derramen líquidos. Cuando las rejillas sean seguras al tacto, retírelas y lávelas con agua caliente y jabón, después enjuáguelas y séquelas completamente. Vuelva a posicionar las rejillas como se indica en este manual.

Armado de las tapas y los cabezales de los quemadores

Tapas y cabezales de quemadores dobles



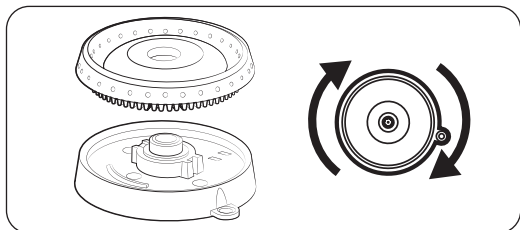
1. Oriente el cabezal del quemador de modo que la abertura para el electrodo esté alineada con el electrodo.
2. Instale el cabezal del quemador de modo que el electrodo pase por la abertura del cabezal. (Asegúrese de que el cabezal del quemador quede plano sobre la placa de cocción).
3. Empareje las tapas con los quemadores de acuerdo con su tamaño, luego instale las tapas en los cabezales.

PRECAUCIÓN

Cada tapa encaja en un cabezal del quemador específico. Verifique que cada tapa esté instalada y nivelada sobre el cabezal correcto.

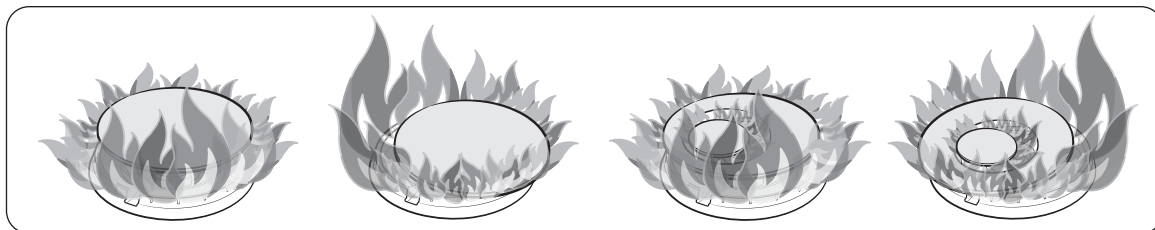
Mantenimiento de la placa de cocción

Tapas y cabezales de los quemadores redondos



1. Coloque los cabezales de los quemadores sobre sus bases, como se muestra a la izquierda. (La parte inferior del cabezal encaja sobre la base).
2. Gire ligeramente cada cabezal hacia delante y hacia atrás hasta que encaje en su sitio.
3. Coloque las tapas del quemador sobre los anillos del quemador. El puente que rodea el inferior de la tapa encaja alrededor de la parte superior del anillo.

Después de armar los quemadores, pruebe que funcionen correctamente. Las piezas mal ensambladas provocarán un encendido deficiente o llamas desiguales (consulte más abajo). Si las llamas son desparejas o de un excesivo color amarillo, apague el quemador de inmediato y espere a que se enfríe. Ajuste las tapas de los quemadores y vuelva a encenderlos. Una buena llama se ve completamente azul y pareja alrededor del quemador.



Mantenimiento del horno

Cuidado y limpieza del horno

ADVERTENCIA

Asegúrese de que el suministro eléctrico esté desconectado y que todas las superficies estén frías antes de limpiar el artefacto.

Limpieza de piezas pintadas y bordes decorativos

- Para una limpieza general, utilice un paño con agua caliente y jabón.
- Para los residuos más difíciles, aplique un detergente líquido directamente sobre el área y espere 60 minutos. Limpie con un paño húmedo y seque el área. No use limpiadores abrasivos, ya que pueden rayar la superficie.

Limpieza de acero inoxidable

1. Agite bien una botella de limpiador o pulidor para artefactos de acero inoxidable.
2. Coloque una pequeña cantidad de limpiador para artefactos de acero inoxidable en un paño o una toalla de papel húmedo.
3. Si es posible, limpie un área pequeña, frotando en el sentido del veteado del acero.
4. Limpie y pule el área con una toalla de papel limpia y seca o con un paño suave.

NOTA

Algunas toallas de papel rayan el acero; pruebe sobre un área poco visible antes de usarlas.

5. Repita las veces que sean necesarias.

NOTA

- No utilice un paño de lana de acero. Rayará la superficie.
- Si la estufa se limpió por última vez con un limpiador para acero inoxidable a base de aceite mineral, limpie la superficie con agua y detergente antes de usar el limpiador para acero inoxidable.

Acerca del filtro de convección

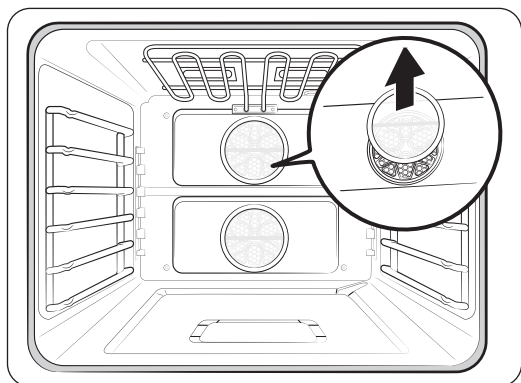
El filtro de convección se encuentra en la parte posterior de cada cámara del horno. Limpie el filtro con regularidad. Si se obstruye, los modos de cocción por convección del horno no funcionarán correctamente. Quite siempre el filtro antes de un ciclo de autolimpieza.

NOTA

Para un mejor funcionamiento, vuelva a instalar el filtro de convección antes de cocinar. Si no lo hace, se dañará la cuchilla y los utensilios y posiblemente al usuario.

Mantenimiento del horno

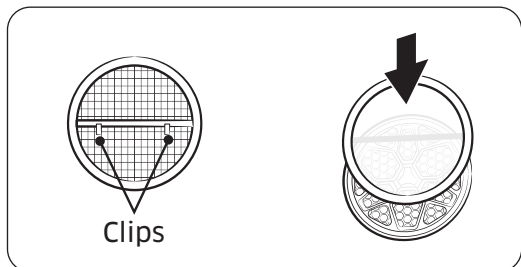
Extracción y reinstalación del filtro de convección



Cuando el horno esté frío, agarre los bordes del filtro y tire suavemente hacia arriba.

Limpieza del filtro

Coloque el filtro en la parrilla superior de un lavavajillas o sumérjalo en agua caliente con jabón y luego enjuáguelo bien. Seque el filtro antes de volver a colocarlo.



Centrando el filtro sobre el orificio del ventilador, enganche cuidadosamente los clips de metal (parte de atrás del filtro) sobre la barra metálica que cruza el orificio. No raye la porcelana del horno con el filtro.

Parrillas del horno

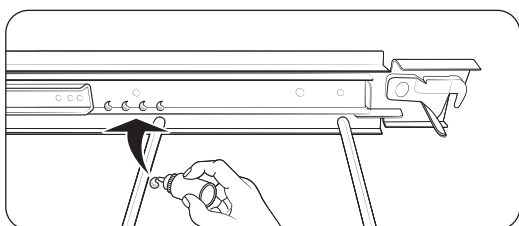
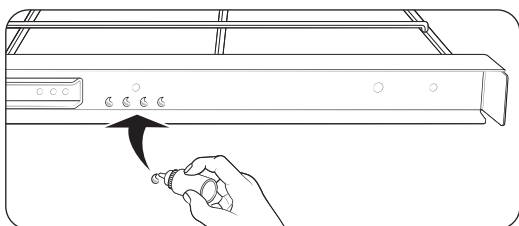
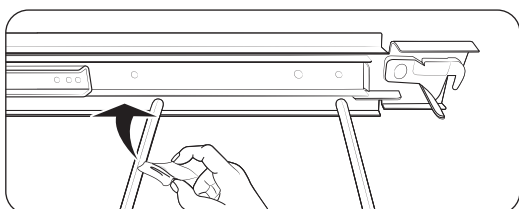
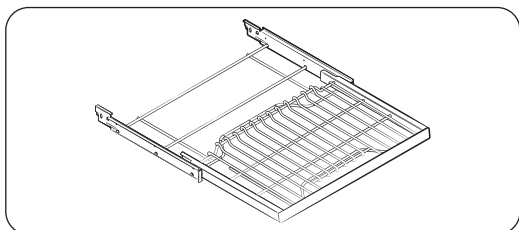
- Si se dejan dentro del horno durante el ciclo de autolimpieza, las parrillas se decolorarán y no se deslizarán con la misma facilidad por los carriles. Cuando el horno esté frío, frote los costados de las parrillas con papel encerado o un poco de aceite para ayudar a que las parrillas se deslicen con facilidad por los carriles.
- Limpie las parrillas deslizantes a mano con un limpiador abrasivo o lana de acero. No permita que entre agua ni limpiador en los carriles de las parrillas.

NOTA

- No lave las parrillas en el lavavajillas.
- Si la parrilla no se desliza con facilidad, se puede tratar con lubricante de grafito aprobado por la FDA (el lubricante de grafito se puede comprar en muchas tiendas y en Internet).

Lubricación de los carriles de la parrilla deslizante

No lubrique la parrilla deslizante con aerosol de cocina ni otros aerosoles.

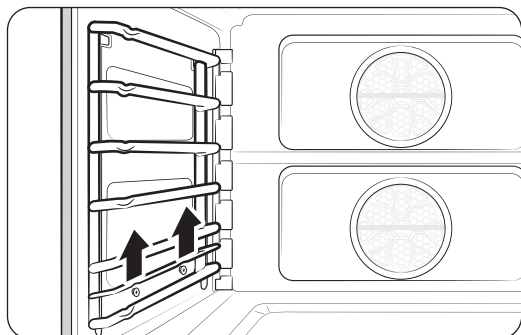


1. Retire la parrilla del horno. (Consulte la sección **Uso de la parrilla deslizante**, pág. 37).
2. Extienda por completo la parrilla sobre una superficie cubierta con periódicos o paños.
3. Con una toalla de papel, limpie los residuos de los carriles de deslizamiento.
4. Agite el lubricante de grafito antes de abrirlo. Comenzando por el mecanismo deslizante de la izquierda (parte frontal y posterior) de la parrilla, coloque 4 gotitas de lubricante en los 2 carriles inferiores de deslizamiento cercanos a los portadores del rodamiento (consulte la imagen izquierda).
5. Repita este paso para el mecanismo deslizante de la derecha (parte frontal y posterior).

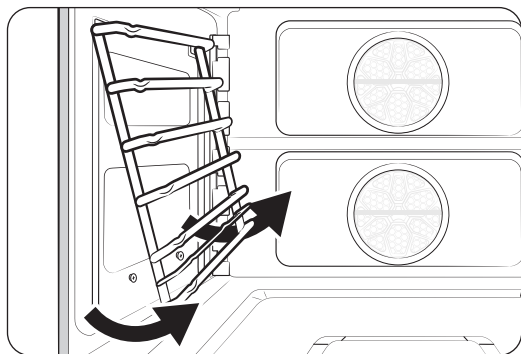
Mantenimiento del horno

Extracción y reinstalación de los soportes de la parrilla

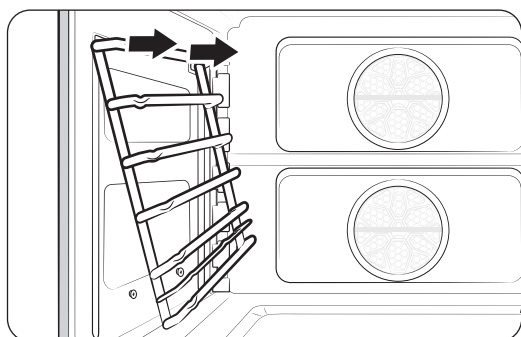
Los soportes de la parrilla se pueden retirar para su limpieza. (Autolimpieza, GreenClean™ y limpieza manual).



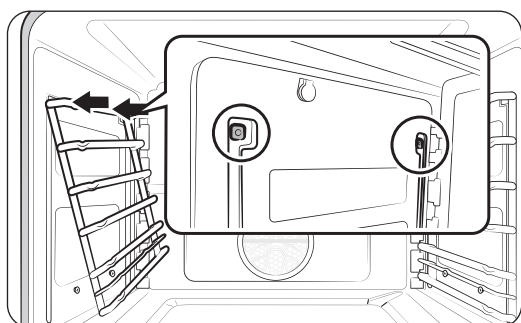
1. Agarre el centro inferior del soporte y levántelo.



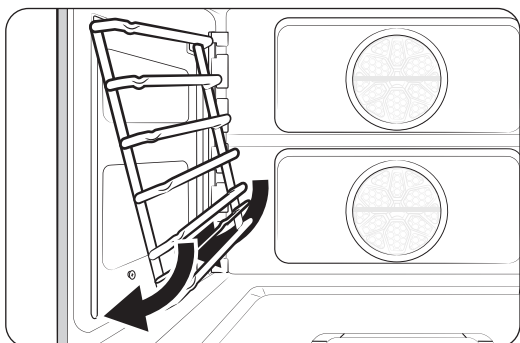
2. Gire la base del soporte hacia afuera a unos 45°.



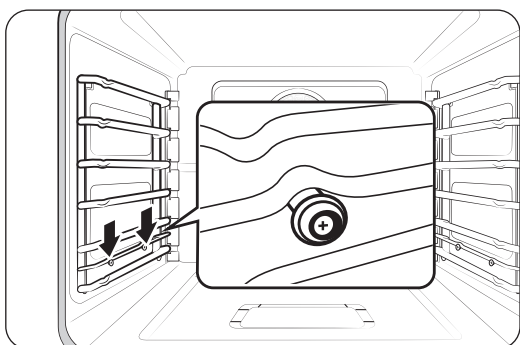
3. Quite el soporte de la parrilla de los orificios de montaje.



4. Inserte la clavija del soporte de la parrilla en los orificios cerca de la parte superior de la pared de la cámara del horno.

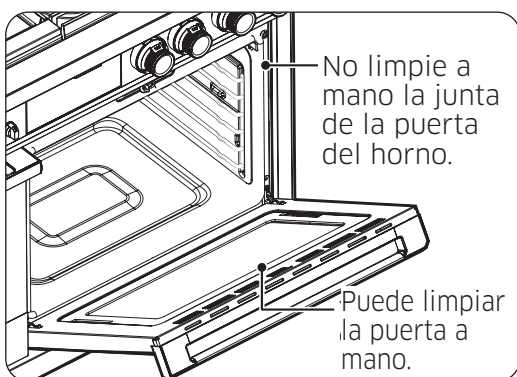


5. Gire la parte inferior del soporte de la parrilla hacia la pared de la cámara del horno.



6. Tire hacia abajo el soporte de la parrilla, asegurándose de que los dos toques de la barra de soporte se encuentren sobre las tuercas que están fijadas a la pared de la cámara del horno.

Limpieza de la puerta del horno



- Limpie las superficies de la puerta del horno con agua y jabón, y enjuáguelas bien. Limpie el vidrio exterior de la puerta con limpiador para vidrios. No sumerja la puerta en agua. Mantenga los líquidos alejados de los conductos de ventilación de la puerta. No use limpiadores para horno ni otros materiales de limpieza abrasivos en el exterior de la puerta del horno.
- NO limpie, restriegue, retire ni dañe la junta de la puerta, que está hecha de un material frágil que es esencial para un buen sellado.

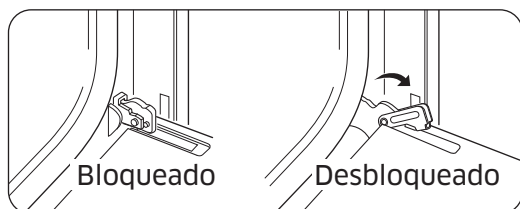
Mantenimiento del horno

Extracción y reinstalación de la puerta del horno

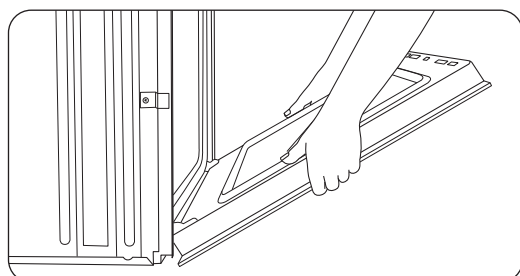
Coloque una manta sobre una superficie plana y estable donde pueda colocar la puerta una vez que la retire.

⚠ PRECAUCIÓN

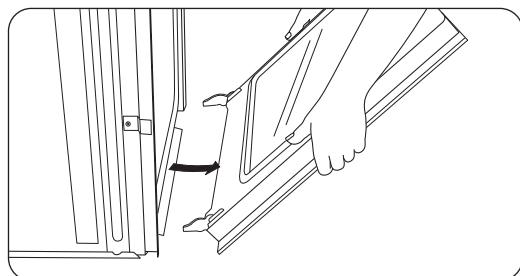
La puerta del horno de 30" (76 cm) pesa 42 lb (19 kg). Manipule la puerta con ambas manos. No la levante por el mango.



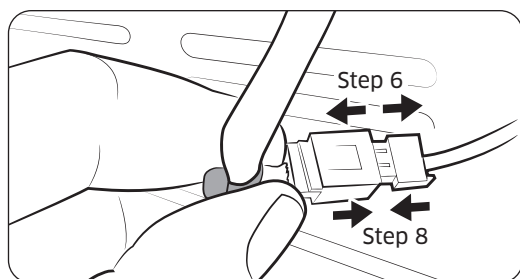
1. Abra la puerta del horno por completo.
2. En las esquinas inferiores de la puerta, voltee los bloqueos de las bisagras hacia usted para desbloquearlas. Si los bloqueos de las bisagras no están completamente hacia adelante (ver imagen a la izquierda), no podrá retirar la puerta.



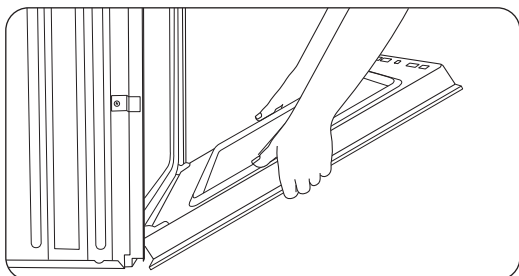
3. Cierre parcialmente la puerta para accionar los bloqueos de las bisagras. (La puerta se traba en este punto).



4. Sujete los lados de la puerta por debajo del mango y, mientras tira, mueva suavemente la puerta de un lado a otro según sea necesario para aflojarla.
5. Baje la puerta sin dañar el cable LED de la esquina inferior derecha de la puerta.



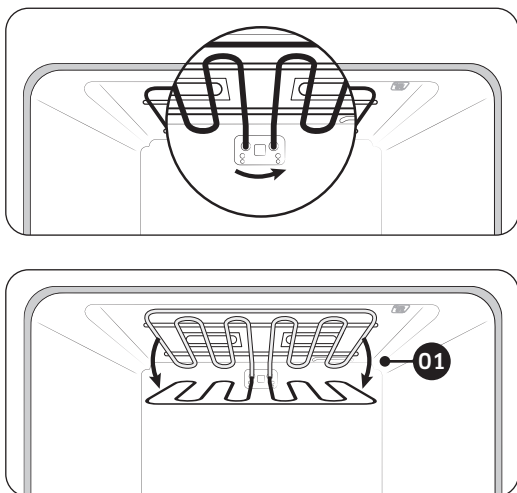
6. Desconecte el mazo de cables y coloque la puerta (mango hacia abajo) sobre la manta que ha preparado.
7. Cuando tenga todo listo para volver a instalar la puerta, colóquese en la parte superior de la puerta, agarre cada lado por debajo de los mangos y lleve la puerta al horno.
8. Baje la puerta y conecte el mazo de cables.



9. Sosteniendo la puerta en un ángulo de 45°, inserte las bisagras en las ranuras (si baja suavemente, se trabarán las bisagras).
10. Abra la puerta por completo (si no se abre a 90°, repita los pasos 7 a 9).
11. Gire las trabas de las bisagras hacia delante para bloquearlas y cierre la puerta (el espacio entre la puerta y el panel de control debe ser parejo; de lo contrario, la bisagra en el lado más abierto del hueco está mal encastrada).
12. Coloque el mazo de cables en su orificio y vuelva a colocar la junta de goma.

Cambiar la luz del horno

La luz del horno es una bombilla estándar de 40 vatios halógena para artefactos. Se enciende cuando la puerta del horno está abierta. Cuando la puerta esté cerrada, toque LIGHT (LUZ) para **encender** o **apagar** la luz. La luz no funciona durante la autolimpieza. Use guantes para manipular bombillas halógenas.



⚠ PRECAUCIÓN

Antes de comenzar, asegúrese de que todas las superficies del horno estén frías y luego desconecte el suministro eléctrico del horno en el panel del disyuntor o en la caja de fusibles.

1. Apoye el elemento de asado y gire la tuerca redonda en el sentido contrario a las agujas del reloj. El elemento se afloja y se inclina hacia abajo. (El elemento de asado no es extraíble; no lo fuerce hacia abajo ni lo deje caer).
2. Retire la tapa de vidrio y, a continuación, la tapa de la bombilla.
3. Sustituya la bombilla halógena y, a continuación, la cubierta de vidrio.
4. Levante el elemento de asado hasta su posición y gire la tuerca en el sentido de las agujas del reloj para mantener el elemento en su sitio.

Solución de problemas

Si tiene algún problema con su estufa, revise las tablas de esta sección para resolverlo. Si no encuentra una solución, llame a Servicio de Garantía para el Cliente de Dacor al 833-353-5483 (EE. UU.) o al 844-509-4659 (Canadá) para recibir ayuda.

Seguridad del gas

Problema	Causa posible	Acción
Si hay olor a gas.	El quemador está encendido , pero no está prendido.	Gire la perilla del quemador a OFF (APAGADO).
	Fuga de gas	<ul style="list-style-type: none"> • Evacúe el edificio. • Desde la casa de un vecino (su teléfono puede provocar una chispa que encienda el gas), llame inmediatamente al proveedor de gas y siga sus indicaciones. (Si no puede comunicarse con el proveedor de gas, llame al departamento de bomberos).

Quemador superficial

Problema	Causas posibles	Acción
No hay luz en los quemadores	La placa de cocción está desenchufada.	Asegúrese de que el cable de alimentación esté enchufado a un tomacorriente activo con conexión a tierra.
	Fusible fundido/Disyuntor disparado.	Reemplace el fusible o reinicie el disyuntor.
	El suministro de gas no está abierto o está mal conectado.	Consulte las instrucciones de instalación.
El quemador no enciende	La perilla de control no está configurada correctamente.	Presione la perilla y gírela hasta la posición con el símbolo de la llama.
	Las tapas de los quemadores no están en su lugar o la base está desalineada.	<ul style="list-style-type: none"> • Limpie los electrodos. • Coloque la tapa del quemador sobre el cabezal. • Alinee la base del quemador.
El quemador superficial hace clic durante la operación.	Perilla de control en posición de llama.	Luego de que el quemador se encienda, gire la perilla a la configuración deseada. Si el quemador sigue cliqueando, comuníquese con un técnico de servicio.
El quemador no quema de forma pareja	El quemador no está bien montado.	Consulte la página 85 .
	Quemadores sucios.	Limpie los componentes del quemador; consulte la página 82 .
Llamas muy grandes o amarillas en los quemadores	Se instaló el orificio incorrecto del quemador.	Compruebe el tamaño del orificio del quemador; si tiene un orificio incorrecto (gas LP en lugar de gas natural), llame al técnico de servicio.

Pantalla de control

Problema	Causa posible	Solución
La pantalla está en blanco	Fusible en mal estado/ Disyuntor disparado.	Reemplace el fusible o reinicie el disyuntor.
El panel de control no responde.	Humedad/Residuos en el panel; modo Control Lock (Trabas de controles) activado.	Elimine la humedad y los residuos y vuelva a intentarlo; desactive el modo Control Lock (Traba de controles).

Horno

Problema	Causa posible	Solución
El horno no enciende	El horno no está bien conectado.	Verifique que el enchufe de la estufa esté bien conectado al tomacorrientes.
	Fusible en mal estado/ Disyuntor disparado.	Reemplace el fusible o reinicie el disyuntor.
	Los controles del horno no están bien ajustados.	Consulte la sección Uso del horno de vapor , pág. 72.
	El horno está demasiado caliente.	Déjelo enfriar.
	Cableado de servicio incompleto.	Llame al servicio técnico.
	Apagón de energía.	Verifique las luces del hogar y llame a su proveedor de servicios si es necesario.
La luz del horno no enciende	La luz está suelta o fallada.	Reemplace o ajuste la bombilla; llame al servicio técnico si la luz sigue sin prender.
	Interruptor de luz roto.	Llame al servicio técnico.
Humo excesivo durante el asado	Los controles del horno no están bien ajustados.	Consulte la sección Uso del horno de vapor , pág. 72.
	La carne está demasiado cerca del elemento de asado.	Baje la parrilla un nivel.
	La carne no está bien preparada.	Recorte el exceso de grasa de la carne.
	Acumulación de grasa en el horno.	Limpie el horno con más frecuencia.
La comida no se hornea o se asa correctamente	Los controles del horno no están bien establecidos.	Consulte la sección Uso del horno de vapor , pág. 72.
	Parrilla mal ubicada o nivelada.	Consulte la sección Uso de las parrillas del horno , pág. 36.
	La temperatura del horno no está bien programada.	Consulte la sección Temperatura en configuración , pág. 46.

Solución de problemas

La comida no se asa correctamente	Es posible que el tamaño de la porción no sea adecuado.	Consulte la Guía de recomendaciones para asar a la parrilla , pág. 78, y vuelva a intentarlo.
	La parrilla no está bien ubicada.	Consulte la Guía de recomendaciones para asar a la parrilla , pág. 78.
	Los utensilios no son aptos para asar.	Use utensilios de cocina aptos para asar.
	Es posible que el voltaje no sea suficiente.	Precalente el asador 10 minutos; consulte la Guía de recomendaciones para asar a la parrilla , pág. 78.
La temperatura de cocción es demasiado alta o baja	Ajuste la temperatura del horno.	Consulte la sección Temperatura en configuración , pág. 46.
Gotea agua	Tipo de alimento que se cocina.	No es una falla; deje que el horno se enfríe y limpie con un paño seco.
Sale vapor de la junta entre el chasis y la puerta		
El agua se queda en el horno		
Hay sonidos de hervor cuando cocino al vapor	El calentador de vapor calienta el agua.	No es una falla.
El horno no realiza la autolimpieza.	El horno está demasiado caliente para la autolimpieza.	Deje el horno enfriar y reinicie los controles. (Consulte la página 54).
	Los controles del horno no están bien establecidos.	Consulte la sección Autolimpieza , pág. 54.
	Modo Control Lockout (Traba de controles) activado.	Desactive el modo Control Lockout (Traba de controles) (consulte la página 67).
Humo excesivo durante la autolimpieza.	Residuos excesivos en el horno.	Presione OFF (APAGADO); abra las ventanas para ventilar el humo; espere que la autolimpieza se cancele y quite la suciedad excesiva para volver a comenzar la autolimpieza.
La puerta del horno no se abre después de la autolimpieza.	El horno está demasiado caliente.	Déjelo enfriar.

Problema	Causa posible	Solución
El horno no realiza la autolimpieza.	El horno está demasiado caliente para la autolimpieza.	Deje el horno enfriar y reinicie los controles. (Consulte la página 54).
	Los controles del horno no están bien establecidos.	Consulte la sección Autolimpieza , pág. 54.
	Modo Control Lockout (Traba de controles) activado.	Desactive el modo Control Lockout (Traba de controles) (consulte la página 67).
Humo excesivo durante la autolimpieza.	Residuos excesivos en el horno.	Presione OFF (APAGADO); abra las ventanas para ventilar el humo; espere que la autolimpieza se cancele y quite la suciedad excesiva para volver a comenzar la autolimpieza.
La puerta del horno no se abre después de la autolimpieza.	El horno está demasiado caliente.	Déjelo enfriar.
El horno sigue sucio después de la autolimpieza.	Los controles del horno no están bien establecidos.	Consulte la sección Autolimpieza , pág. 54.
	El horno tiene demasiada suciedad.	Limpie los restos de comida y, a continuación, inicie la autolimpieza; los hornos muy sucios pueden necesitar dos ciclos de autolimpieza o ciclos más largos.
Sale vapor por el conducto de ventilación.	Cuando se utiliza la convección, normalmente sale vapor por el conducto de ventilación del horno.	Es funcionamiento normal.
	Cocción de una gran cantidad de alimentos.	
Sale olor a quemado o a aceite del conducto de ventilación.	Horno nuevo.	Para eliminar el olor más rápido, establezca la autolimpieza de más de 3 horas (consulte la sección Autolimpieza , pág. 54).
Hay un olor muy fuerte.	Aislamiento en horno nuevo.	Deje el horno vacío funcionando en modo Bake (Hornear) a 400 °F durante 1 hora.
El ventilador hace ruido.	Ciclo de ventilador de convección encendido/apagado .	Es funcionamiento normal.
Es difícil deslizar las parrillas del horno.	Las parrillas cromadas se quedaron en el horno durante la autolimpieza.	Aplique un poco de aceite vegetal en una toalla de papel y limpie los bordes de la parrilla del horno.
La puerta del horno está bloqueada.	Disyuntor disparado o apagón de energía mientras la puerta estaba cerrada.	Active el modo Control Lockout (Traba de controles) y desbloquee el control. Consulte la sección Uso del modo Control Lockout (Traba de controles) , pág. 67.

Solución de problemas

Códigos de información

Código que se muestra	Causa posible	Solución
C-d1	Se muestra si el bloqueo de la puerta está mal colocado.	Presione OFF (APAGADO) y reinicie el horno. Si el problema persiste, desconecte el suministro eléctrico del horno durante al menos 30 segundos y vuelva a conectarla. Si el problema no se resuelve, llame al servicio técnico.
C-F0	Se interrumpió la comunicación entre la PBA principal y la PBA secundaria.	
C-F2	Se interrumpió la comunicación entre Principal y Táctil.	
C-20	El sensor del horno está abierto o en corto cuando el horno está encendido.	Reinicie el artefacto.
C-21	Ocurre si la temperatura interna es inusualmente alta.	Presione OFF (APAGADO) y reinicie el horno. Si el problema persiste, desconecte el suministro eléctrico del horno durante al menos 30 segundos y vuelva a conectarla. Si el problema no se resuelve, llame al servicio técnico.
C-23	El sensor de la sonda de temperatura está en corto cuando el horno está encendido.	
C-30	El sensor PCB está abierto o en corto cuando el horno está encendido.	Llame al servicio técnico.
C-31	Ocurre si la temperatura del PCB es inusualmente alta.	Presione OFF (APAGADO) y reinicie el horno. Si el problema persiste, desconecte el suministro eléctrico del horno durante al menos 30 segundos y vuelva a conectarla. Si el problema no se resuelve, llame al servicio técnico.
C-70	El sensor de vapor está abierto o en corto cuando el horno está encendido.	
C-72	Problema con el sistema de drenaje.	
C-A2	Problema con el motor de enfriamiento.	Llame al servicio técnico.

Garantía y servicio técnico

Garantía

Lo que cubre

CERTIFICADO DE GARANTÍA ESTUFAS DE DACOR DENTRO DE LOS 50 ESTADOS DE EE. UU., EL DISTRITO DE COLUMBIA Y CANADÁ:

GARANTÍA POR DOS AÑOS COMPLETOS

La garantía se aplica únicamente a los artefactos Dacor de Contemporary Style vendidos al comprador original, a partir de la fecha original de compra minorista o de la fecha de cierre de una nueva construcción, según cuál sea el período más largo. La garantía es válida para los productos de Contemporary Style comprados nuevos a un distribuidor autorizado de Dacor o a otro vendedor autorizado de Dacor.

Si en un plazo de 2 años a partir de la fecha de compra original, su producto Dacor de Contemporary Style funciona mal debido a un defecto de material o de fabricación, Dacor reparará el artefacto para que funcione correctamente sin cargo alguno para usted.

Todos los daños estéticos (como rayas en el acero inoxidable o manchas en la pintura y la porcelana) en el artefacto o los accesorios incluidos deben informarse a Dacor dentro de los 60 días después de la fecha original de compra para calificar para la cobertura de la garantía.

LIMITACIONES DE LA COBERTURA

Una compañía de servicio técnico designada por Dacor se ocupará del servicio técnico durante el horario de atención habitual. Estos proveedores son entidades independientes y no agentes de Dacor. Los productos de exposición del distribuidor y de la casa modelo con una fecha de fabricación mayor a 5 años, los productos vendidos "Tal cual" y los productos instalados para uso no residencial (usos en organizaciones religiosas, estaciones de bomberos, pensiones y spas, etc.) poseen una garantía de piezas de solo un año. Todas las tarifas de envío, instalación, mano de obra y demás tarifas de servicio son responsabilidad del comprador.

La garantía es nula y no tiene validez en los siguientes casos:

- si se alteraron, borraron o retiraron las etiquetas y los números de serie del producto;
- si se transporta desde EE. UU. un producto no aprobado por ETL ni por CUL.

El propietario debe presentar pruebas de la compra o declaración de finalización de nueva construcción, según sea requerido. Todos los productos Dacor deben estar disponibles para el servicio técnico.

FUERA DE LOS 50 ESTADOS DE EE. UU., EL DISTRITO DE COLUMBIA Y CANADÁ: GARANTÍA LIMITADA DEL PRIMER AÑO

Si su producto Dacor presenta fallas en el funcionamiento dentro del año posterior a la fecha original de compra, debido a defectos en el material o de fabricación, Dacor repondrá la pieza defectuosa con una nueva FOB a la fábrica. Las tarifas de envío, instalación, mano de obra y demás tarifas de servicio son responsabilidad del comprador.

Garantía y servicio técnico

Lo que no cubre

- Ligeras variaciones de color debido a diferencias en las partes pintadas, la iluminación de la cocina, la ubicación del producto y otros factores.
- Las llamadas del servicio técnico para educar al propietario sobre el uso y el cuidado del producto.
- Las tarifas del servicio técnico por viajes a islas y zonas remotas, que incluyen, entre otros, transbordadores, autopistas u otros gastos de viaje.
- Daños consecuentes o incidentales (que incluyen, entre otros, la pérdida de alimentos o medicamentos, tiempo laboral perdido o comidas de restaurantes).
- La falla del producto en circunstancias no residenciales (p. ej., comercial, industrial, alojamientos temporales, organización religiosa).
- La falla del producto debido a la instalación incorrecta.
- Las piezas consumibles, como los filtros y las bombillas.
- El reemplazo de fusibles domésticos, cajas de fusibles o el reinicio de disyuntores.
- Los daños debidos a los denominados “casos fortuitos” (p. ej., incendio, inundación, apagón/subida de tensión).
- La responsabilidad por daños del entorno de la propiedad (como ebanistería, pisos, techos o mesadas).
- La rotura, la decoloración o los daños en el vidrio, las superficies metálicas, las piezas de plástico, las molduras, la pintura u otros acabados estéticos provocados por el uso y el cuidado inadecuados, el abuso o la negligencia.

Productos fuera de la garantía

Si tiene un problema técnico después de que expire el período de garantía estándar, comuníquese con nosotros.

Dacor evalúa cada problema y preocupación del cliente para brindar la mejor solución posible según las circunstancias individuales.

LOS RECURSOS CONTEMPLADOS EN LAS GARANTÍAS EXPRESAS ANTERIORES SON ÚNICOS Y EXCLUSIVOS; POR LO TANTO, NO SE REALIZAN OTRAS GARANTÍAS EXPRESAS Y FUERA DE LOS CINCUENTA ESTADOS DE ESTADOS UNIDOS, EL DISTRITO DE COLUMBIA Y CANADÁ; TODAS LAS GARANTÍAS IMPLÍCITAS, QUE INCLUYEN, ENTRE OTRAS, CUALQUIER GARANTÍA IMPLÍCITA DE COMERCIABILIDAD O APTITUD PARA UN USO O FINALIDAD PARTICULAR, TIENEN UNA DURACIÓN LIMITADA DE UN AÑO DESDE LA FECHA ORIGINAL DE COMPRA. DACOR NO SERÁ RESPONSABLE DE LOS GASTOS INCIDENTALES NI DE LOS DAÑOS CONSECUENTES. EN EL CASO DE QUE DACOR PREVALEZCA EN CUALQUIER DEMANDA, TENDRÁ DERECHO A RECIBIR UN REEMBOLSO POR TODOS LOS COSTOS Y LOS GASTOS, INCLUIDOS LOS HONORARIOS DE UN ABOGADO, DE PARTE DEL CLIENTE DE DACOR. NO SE REALIZAN GARANTÍAS, EXPRESAS O IMPLÍCITAS, A NINGÚN VENDEDOR PARA REVENTA.

Algunos estados no permiten limitaciones sobre la duración de la garantía, o no permiten la exclusión o la limitación de daños inconsecuentes, por lo que las limitaciones o las exclusiones anteriores no aplicarían en su caso.

Esta garantía menciona sus derechos legales específicos, además de otros derechos que pueda tener y varíen según el estado.

Anexo

Pregunta

Si tiene alguna pregunta sobre características, el funcionamiento o el rendimiento, piezas, accesorios o el servicio.

Llame al 833-353-5483 (EE. UU.) o al 844-509-4659 (CANADÁ) para registrar la garantía de su producto Dacor.

Nombre del modelo y número de serie

Tanto el nombre del modelo como el número de serie están etiquetados en el lado izquierdo del producto.

Anote la información en esta página para uso posterior.

Nombre del modelo _____

Número de serie _____

Anuncio de código abierto

El software incluido en esta estufa contiene software de código abierto. Puede obtener el código fuente completo correspondiente hasta 3 años después del último envío de este modelo enviando un correo electrónico a oss.request@samsung.com.

También puede obtener el código fuente completo correspondiente en un soporte físico (p. ej., CD-ROM) por un costo mínimo.

Esta URL: http://opensource.samsung.com/opensource/OVEN_HKM_TZ/seq/0 lleva a la página de descarga del código fuente y a información sobre la licencia de código abierto de este modelo.



NOTAS

dacor

Dacor • 14425 Clark Avenue, City of Industry, CA 91745 • Teléfono: 833-353-5483 (EE. UU.), 844-509-4659 (CANADÁ) • Fax: (626) 403-3130 • www.dacor.com

dacor

Manuel d'utilisation

**Cuisinière professionnelle de style
contemporain.**

DOP48C96D**



DG68-01508A-00

⚠ AVERTISSEMENT

Ne faites jamais fonctionner la surface de cuisson supérieure de cet appareil sans surveillance

- Ne pas tenir compte de cet avertissement peut causer un incendie, une explosion ou vous exposer à un risque de brûlure pouvant entraîner des dégâts matériels, des blessures ou la mort.
- En cas d'incendie, éloignez-vous de l'appareil et appelez immédiatement les pompiers.

N'ESSAYEZ PAS D'ÉTEINDRE UN FEU D'HUILE OU DE GRAISSE AVEC DE L'EAU.

AVERTISSEMENT : Le non-respect des informations contenues dans ce manuel peut provoquer un incendie ou une explosion et entraîner des dommages matériels, des blessures ou la mort.

- Veillez à **NE PAS** conserver ni utiliser d'essence ou d'autres vapeurs ou liquides inflammables près de cet appareil ou de tout autre appareil.
- **QUE FAIRE SI VOUS SENTEZ UNE ODEUR DE GAZ**
 - **ÉVITEZ** de mettre en marche un appareil.
 - **N'essayez PAS** de toucher aux interrupteurs électriques.
 - **N'essayez PAS** d'utiliser de téléphone dans votre bâtiment.
 - Appelez immédiatement votre fournisseur de gaz depuis le téléphone d'un voisin et suivez les instructions du fournisseur de gaz.
 - Si votre compagnie de gaz n'est pas joignable, appelez les pompiers.
- L'installation et l'entretien doivent être effectués par un installateur qualifié, un organisme de service ou le fournisseur de gaz.

DISPOSITIF ANTI-BASCULEMENT

AVERTISSEMENT

Afin de réduire le risque de basculement de la cuisinière, celle-ci doit être sécurisée par un dispositif antibasculement correctement installé. **APRÈS L'INSTALLATION DE LA CUISINIÈRE, VÉRIFIEZ QUE LE DISPOSITIF ANTI-BASCULEMENT A ÉTÉ CORRECTEMENT INSTALLÉ ET VÉRIFIEZ QUE LE DISPOSITIF ANTI-BASCULEMENT EST CORRECTEMENT ENGAGÉ.** Reportez-vous au manuel d'installation pour obtenir des instructions.

- a) Si le dispositif antibasculement n'est pas installé, un enfant ou un adulte peut faire basculer la cuisinière et être tué.
- b) Vérifiez que le dispositif anti-basculement a été correctement installé et engagé à l'arrière droit (ou arrière gauche) du fond de la cuisinière.
- c) Si vous déplacez la cuisinière puis la remettez en place, assurez-vous que le dispositif anti-basculement est réengagé à l'arrière droit ou gauche du fond de la cuisinière.
- d) N'utilisez pas la cuisinière sans que le dispositif anti-basculement soit en place et engagé. Le non-respect de cette consigne peut entraîner la mort ou des brûlures graves chez les enfants et les adultes.



AVERTISSEMENT

Ne marchez pas, ne vous appuyez pas et ne vous asseyez pas sur la porte du four de la cuisinière. Vous pouvez faire basculer la cuisinière et provoquer des brûlures ou des blessures graves.

Vérifiez que le dispositif anti-basculement est correctement installé. Ensuite, pour vérifier que le dispositif anti-basculement est engagé, saisissez le bord supérieur arrière de la cuisinière et essayez soigneusement de la faire basculer vers l'avant. Le dispositif anti-basculement devrait empêcher la cuisinière de basculer vers l'avant de plus de quelques centimètres.

Si vous retirez la cuisinière du mur pour une raison quelconque, assurez-vous que le dispositif anti-basculement est bien engagé lorsque vous repoussez la cuisinière contre le mur. Dans le cas contraire, la cuisinière risque de basculer et de provoquer des blessures si un enfant ou vous-même vous tenez debout, vous asseyez ou vous appuyez sur une porte ouverte.

Ne retirez jamais complètement les pieds de nivellement. Si vous les retirez, la cuisinière ne sera pas correctement fixée au dispositif antibasculement.

Avis réglementaire

1. Avis relatif à l'appareil radio

ATTENTION

Tous les changements ou modifications qui ne sont pas expressément approuvés par la partie responsable de la conformité peuvent annuler le droit de l'utilisateur de se servir de l'équipement.

L'équipement de communication à distance installé sur ce produit est conforme à la section 15 des règlements de la FCC ainsi qu'à la norme RSS d'exemption de licence d'Innovation, Science et Développement économique Canada. L'utilisation est soumise aux deux conditions suivantes :

- 1) Cet équipement ne doit pas causer d'interférences néfastes, et
- 2) Cet équipement doit accepter toute interférence reçue, y compris celles pouvant provoquer un fonctionnement non souhaité.

Pour les produits disponibles sur les marchés américains/canadiens, seuls les canaux 1~11 sont disponibles. Vous ne pouvez pas sélectionner d'autres canaux.

1. DÉCLARATION relative à l'appareil radio :

Cet appareil a été testé et déclaré conforme aux limites pour appareils numériques de classe B, selon la section 15 des règlements de la FCC et la norme canadienne ICES-003. Ces limites sont conçues pour fournir une protection raisonnable contre les interférences nuisibles dans une installation résidentielle.

Cet équipement génère, utilise et peut émettre de l'énergie de fréquence radio et, s'il n'est pas installé et utilisé conformément aux instructions, peut causer des interférences nuisibles aux communications radio. Cependant, il n'y a aucune garantie que des interférences ne se produiront pas dans une installation particulière. Si cet équipement provoque des interférences nuisibles à la réception de la radio ou de la télévision, ce qui peut être déterminé en éteignant et en rallumant l'équipement, il est recommandé à l'utilisateur d'essayer de corriger ces interférences en prenant une ou plusieurs des mesures suivantes :

-
- Réorienter ou déplacer l'antenne de réception
 - Augmenter la distance entre l'appareil et le récepteur
 - Connecter l'équipement à une prise de courant située sur un circuit différent de celui de la radio ou de la télévision
 - Consulter le revendeur ou un technicien radio/TV expérimenté pour obtenir de l'aide.

DÉCLARATION SUR L'EXPOSITION AU RAYONNEMENT :

Cet équipement est conforme aux limites de la FCC et RSS-102 de l'IC établies pour un environnement non contrôlé. Cet équipement doit être installé et utilisé de manière à ce qu'il y ait au moins 20 cm (8 po) entre le radiateur et votre corps. Cet appareil et son/ses antenne(s) ne doivent pas être colocalisés ou utilisés en conjonction avec une autre antenne ou un autre émetteur.



À nos clients fidèles :

Nous vous félicitons d'avoir acheté les tout derniers produits Dacor! La combinaison unique de nos caractéristiques, de notre style et de nos performances fait de nous un atout majeur pour votre maison.

Dans le but de vous familiariser avec les commandes, les fonctions et le plein potentiel de votre nouvel appareil Dacor, lisez attentivement ce manuel d'utilisation et d'entretien, en commençant par la section **Avant de commencer**.

Tous les appareils Dacor sont conçus et fabriqués avec qualité et fierté, tout en travaillant dans le cadre des valeurs de notre entreprise. En cas de problème avec votre appareil, consultez d'abord la section Dépannage de ce manuel pour vous guider. Vous y trouverez des suggestions et des solutions utiles avant d'appeler le service après-vente.

Les précieux commentaires de nos clients nous aident à améliorer continuellement nos produits et services. N'hésitez donc pas à communiquer avec notre équipe du service clientèle pour obtenir de l'aide sur n'importe quel produit.

Assurance client de Dacor

- **États-Unis**
Samsung Electronics America, Inc.
85 Challenger Road
Ridgefield Park, NJ 07660
- **Canada**
Samsung Electronics Canada Inc.
2050 Derry Road West, Mississauga,
Ontario L5N 0B9 Canada

Téléphone : 833-353-5483 (États-Unis), 844-509-4659 (Canada)

Heures d'ouverture : Du lundi au vendredi, de 8 h à 20 h, heure du Pacifique

Site Internet : www.dacor.com

Merci d'avoir choisi Dacor pour votre maison. Nous sommes une entreprise créée par des familles pour des familles, et nous nous engageons à servir la vôtre. Nous sommes convaincus que votre nouveau produit Dacor vous apportera un haut niveau de performance et de plaisir pendant de nombreuses années.

Cordialement,

The Dacor Customer Service Team

Contenu

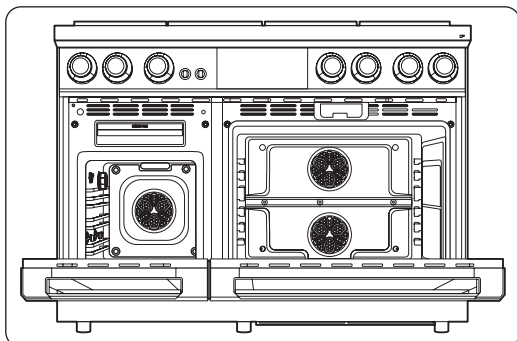
Avant de commencer	9
Remarque importante à l'intention du propriétaire	9
Conseils pour économiser de l'énergie	9
Utilisez le réservoir d'eau	9
À propos de la fente d'aération du four	11
Consignes de sécurité importantes	12
Lisez toutes les instructions avant d'utiliser cet appareil	12
Symboles utilisés dans ce manuel	12
Avertissement relatif à la proposition 65 de l'État de Californie	13
Commonwealth du Massachusetts	13
Sécurité générale	13
Sécurité incendie	14
Sécurité en matière de gaz	15
Sécurité électrique et mise à la terre	16
Sécurité de l'installation	17
Sécurité en matière d'emplacement	18
Sécurité de la table de cuisson	19
Sécurité du four	21
Sécurité du four auto-nettoyant	21
Aperçu	22
Fonctionnalités extérieures	22
Tableau de commande	23
Affichage	24
Articles inclus	25
Utilisation de la table de cuisson	26
À propos des brûleurs	26
À propos de l'allumage des brûleurs	27
Utilisez l'ustensile de cuisson approprié	28
Caractéristiques spéciales de la table de cuisson	29
À propos des grilles	29
Gril (électrique)	30
Grill (accessoires supplémentaires)	32
À propos de l'anneau de wok	34
Utilisation du four de base	35
Réglages basiques : Horloge, date et temps, langue	35
Utilisation des grilles du four	36
Utilisation de la grille coulissante	37
Utilisation de la sonde de température	39
À propos des fonctions du four	41
Réglage du mode de cuisson	46
Réglage de la température de cuisson	46

Contenu

Instructions de base en matière de cuisson et de grillage	47
Utilisation de la minuterie de cuisine	49
Utilisation de la cuisson minutée	51
Utilisation du départ différé	52
Utilisation des fonctions de nettoyage	53
Utilisation de la fonction Sabbath	60
Utilisation des fonctions spéciales	62
Utilisation de Chef Mode (Cuisson gourmet)	66
Utilisation de la commande intelligente	67
Démarrage du four à distance	67
Utilisation du verrouillage de la commande	68
Utilisation des réglages	68
Utilisation du four à vapeur	72
Utilisation des grilles du four	72
À propos des fonctions du four	72
Instructions de base en matière de cuisson et de grillage	77
Utilisation des fonctions spéciales	80
Entretien de la table de cuisson	82
Nettoyage de la surface de la table de cuisson	82
Nettoyage des surfaces en acier inoxydable	82
Nettoyage des boutons de commande	83
Démontage/assemblage des brûleurs et des grilles	83
À propos des chapeaux et têtes de brûleur	84
À propos des bases du brûleur	84
À propos des électrodes	85
À propos des grilles et de l'anneau de wok	85
Assemblage des capuchons et têtes de brûleur	86
Entretien du four	88
Entretien et nettoyage du four	88
Retrait/Réinstallation de la porte du four	93
Changement de l'éclairage du four	95
Dépannage	96
Garantie et service	101
Garantie	101
Annexe	103
Question	103
Nom du modèle et numéro de série	103
Annonce du source ouverte	104

Avant de commencer

Remarque importante à l'intention du propriétaire



Installateur

- Pour de meilleurs résultats, lisez attentivement ce manuel avant de commencer l'installation.
- Laissez ce manuel à l'utilisateur.
- Inscrivez les numéros de modèle et de série de la cuisinière dans ce manuel à des fins d'entretien et de réparation.

Utilisateur

- Conservez ce manuel à des fins personnels ou professionnels.

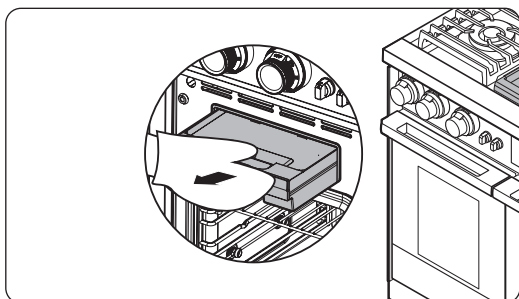
Nettoyez complètement le four avant de l'utiliser pour la première fois. Ventilez ensuite bien la cuisine, retirez les accessoires et réglez le four sur Cuisson à 400 °F pendant 1 heure. Une odeur distinctive se dégagera. C'est normal.

Conseils pour économiser de l'énergie

- Pendant la cuisson, la porte du four doit rester fermée, sauf lorsque vous retournez les aliments. Laissez la porte fermée permet également de maintenir la température du four, ce qui économise de l'énergie.
- Si le temps de cuisson est supérieur à 30 minutes, vous pouvez éteindre le four 5 à 10 minutes avant la fin du temps de cuisson. La chaleur résiduelle permet de faire cuire les aliments.
- Programmez l'utilisation du four pour éviter de l'éteindre entre les cuissons.
- Cuisinez plusieurs aliments au même moment, le cas échéant.

Utilisez le réservoir d'eau

Cette fonctionnalité s'utilise avec les fonctions vapeur : Steam Bake (Cuisson vapeur), Steam Roast (Rôtissage vapeur), GreenClean^{MC}, Steam (Vapeur), etc. Elle s'utilise également pour éliminer le tartre des parois du four, notamment après l'utilisation des fonctions vapeur. Remplissez avec de l'eau avant d'utiliser.



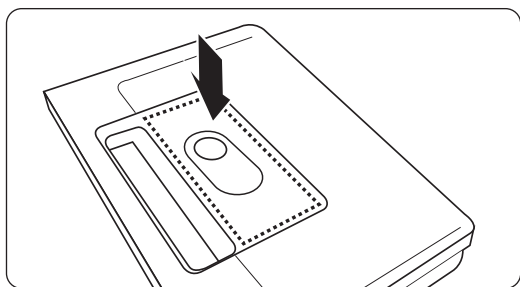
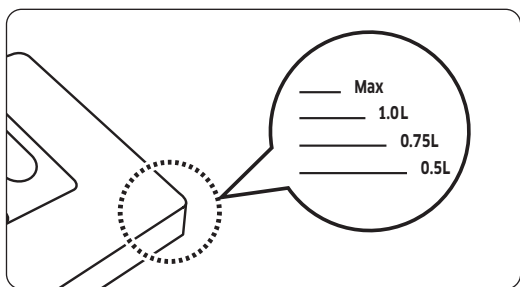
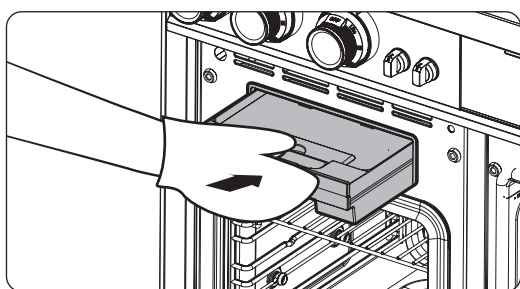
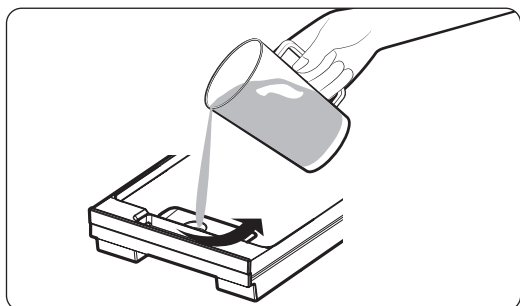
1. Sortez le réservoir d'eau.

Cuisinière 48 po : le réservoir se trouve sur le côté gauche, au-dessus du four. Pour retirer ce réservoir, saisissez la poignée et tirez.

REMARQUE

- Le réservoir peut être chaud après l'utilisation du four. Le cas échéant, tenir le réservoir à l'aide d'un gant de cuisine.
- Le réservoir peut être retiré entièrement de la cuisinière. Vérifiez le niveau d'eau, et ajoutez de l'eau si nécessaire. Vous pouvez ajouter de l'eau sans retirer complètement le réservoir.

Avant de commencer



2. Ouvrez le bouchon du réservoir, puis remplissez le réservoir avec de l'eau du robinet.

REMARQUE

Vous pouvez ouvrir le réservoir en retirant le bouchon en caoutchouc ou en retirant la partie supérieure en plastique. Pour éviter de verser de l'eau, il est recommandé de remplir le réservoir avec de l'eau par le trou une fois le bouchon en caoutchouc retiré.

3. Remettez le bouchon ou le revêtement plastique transparent.
4. cuisinière de 48 po : Poussez le réservoir à fond dans l'ouverture;

ATTENTION

Le réservoir et la fente chauffent pendant la cuisson. Portez des gants de cuisine pour tenir le réservoir pendant et directement après la cuisson.

5. Fermez la porte du four.

REMARQUE

Ne dépassez pas la ligne de remplissage maximale. Capacité maximale du réservoir par modèle :

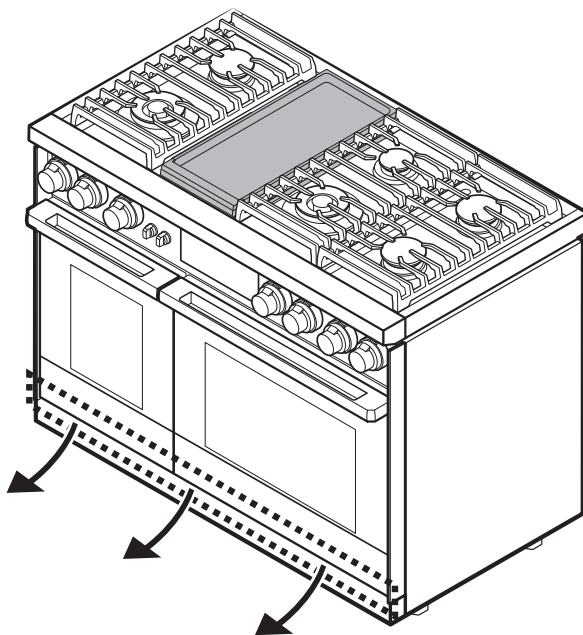
- DOP48C96D** : 1500 ml

REMARQUE

Fermez le bouchon et la partie supérieure du réservoir d'eau avant d'utiliser le four.

À propos de la fente d'aération du four

La fente d'aération du four se trouve sous la porte du four. Une bonne circulation de l'air permet d'éviter les problèmes de combustion du brûleur et d'assurer de bonnes performances. N'obstruez pas la fente d'aération ou ses environs. Faites attention à proximité de la fente d'aération. La vapeur peut entraîner des brûlures cutanées et faire fondre certains objets.



Consignes de sécurité importantes

Lisez toutes les instructions avant d'utiliser cet appareil

- Tout appareil électrique et à gaz comportant des pièces mobiles peut être dangereux. Lisez attentivement les informations importantes relatives à la sécurité dans ce manuel. Les instructions doivent être suivies pour minimiser les risques de dommages matériels, de blessures ou de décès.
- Conservez ce manuel dans un endroit facilement accessible afin de pouvoir vous y référer en cas de besoin.

Symboles utilisés dans ce manuel

AVERTISSEMENT

Risques ou manipulations dangereuses susceptibles d'entraîner des blessures graves, voire mortelles.

ATTENTION

Risques ou manipulations dangereuses susceptibles d'entraîner des blessures légères ou des dégâts matériels.

REMARQUE

Conseils et instructions utiles

Ces symboles d'avertissement sont destinés à prévenir les dommages matériels et les blessures corporelles. Respectez-les scrupuleusement.

Avertissement relatif à la proposition 65 de l'État de Californie

AVERTISSEMENT

Cancer et troubles de la fertilité – www.P65Warnings.ca.gov

Commonwealth du Massachusetts

Ce produit doit être installé par un plombier agréé ou un installateur de gaz qualifié ou agréé par l'État du Massachusetts. Lorsque vous utilisez des vannes à bille pour couper le gaz, il faut utiliser le type à poignée en T. Il est interdit de raccorder en série plusieurs conduites de gaz flexibles.

Sécurité générale

AVERTISSEMENT

Pour réduire les risques d'incendie, d'électrocution, de blessures corporelles ou de décès, respectez les précautions suivantes.

- **Ne touchez pas** aux surfaces, composants ou mécanismes de la cuisinière pendant ou immédiatement après la cuisson.
- **Apprenez** où et comment fermer la valve qui alimente la cuisinière en gaz.
- **Assurez-vous** que le **dispositif anti-basculement** est correctement installé sur la cuisinière. Consultez les instructions d'installation pour plus d'informations.
- **Ne laissez pas les enfants s'approcher** de la cuisinière. Ne laissez pas les enfants pénétrer dans la cuisinière ou monter dessus. Ne laissez pas les enfants jouer avec la cuisinière ou avec des parties de celle-ci. Ne laissez pas les enfants sans surveillance dans la cuisine lorsque la cuisinière est en marche. Pour des raisons de sécurité, nous vous recommandons d'utiliser la fonction de verrouillage des commandes et des portes.
- **Retirez** tous les emballages avant d'utiliser la cuisinière afin d'éviter que ce matériel ne prenne feu. Conservez tous les emballages hors de la portée des enfants. Jetez l'emballage de façon appropriée dès que la cuisinière est déballée.
- **Ne laissez pas** d'objets susceptibles d'intéresser les enfants au-dessus ou à proximité de la cuisinière.
- **N'utilisez pas** la cuisinière si elle est endommagée de quelque manière que ce soit, si elle fonctionne mal ou s'il manque des pièces.
- **N'utilisez pas** la cuisinière comme chauffage d'appoint. Utilisez la cuisinière uniquement pour la cuisson.
- **N'utilisez pas** de nettoyeurs pour four ou de revêtements pour four dans ou autour d'une partie du four.
- **Utilisez** uniquement des maniques sèches.
- **N'utilisez pas** la cuisinière pour chauffer des récipients alimentaires scellés.
- **Ne frappez pas** la vitre du four.

Consignes de sécurité importantes

- Lors de la mise au rebut de la cuisinière, **coupez le** cordon d'alimentation et **retirez** la porte pour éviter que les enfants et les animaux ne se retrouvent coincés.
- **Débranchez** la cuisinière avant de procéder à l'entretien/la maintenance.
- **Veillez** à ce que la viande et la volaille soient bien cuites. La viande doit toujours être cuite à une température interne de 71 °C (160 °F). La volaille doit toujours être cuite à une température interne de 82 °C (180 °F).
- N'essayez pas de faire fonctionner les brûleurs de la cuisinière à allumage électrique pendant une panne de courant.
- Gardez la zone de l'appareil exempte de matériaux combustibles, d'essence et d'autres vapeurs et liquides inflammables.
- **Apprenez** aux enfants qu'il ne faut pas toucher à la cuisinière ou à n'importe quelle partie de celle-ci et qu'il ne faut pas jouer avec ses commandes. Nous vous recommandons d'utiliser la fonction de verrouillage de la commande et de la porte pour réduire le risque d'une mauvaise utilisation par des enfants.
- Un rideau d'air ou une autre hotte de cuisine suspendue, qui fonctionne en soufflant un flux d'air vers le bas sur une cuisinière, ne doit pas être utilisé avec une cuisinière à gaz à moins que la hotte et la cuisinière aient été conçues et testées conformément à la norme sur les cuisinières à gaz domestiques, ANSI Z21.1 - CSA1.1, et homologuées par un laboratoire d'essai indépendant pour une utilisation combinée.

Sécurité incendie

AVERTISSEMENT

Pour réduire les risques d'incendie, d'électrocution, de blessure corporelle ou de décès, observez les mesures de précaution énoncées ci-après :

- **Veillez à ne pas stocker/placer/utiliser** de matériaux combustibles (par exemple, papier, plastique, maniques, linge de maison, essence, alcool) à proximité de la cuisinière.
- **Ne portez pas** de vêtements amples ou flottants pendant l'utilisation de la cuisinière.
- Pour éviter l'accumulation de graisse, **nettoyez régulièrement** les fentes d'aération.
- **Ne laissez pas** les maniques ou autres matériaux inflammables toucher un élément chauffant. N'utilisez pas de serviette ou tout autre tissu épais comme manique.
- **N'éteignez pas** un feu de graisse avec de l'eau. Coupez plutôt la source de chaleur et étouffez le feu avec un couvercle hermétique ou utilisez un extincteur polyvalent, chimique sec ou un extincteur à mousse.
- **Ne chauffez pas** des récipients alimentaires non ouverts. L'accumulation de pression peut faire éclater les récipients et provoquer des blessures.
- N'utilisez pas le four pour le stockage. Le papier et les autres articles inflammables stockés dans le four peuvent s'enflammer.
- **Ne placez pas** de matériaux ou d'objets combustibles autour de la cuisinière.

Sécurité en matière de gaz

⚠ AVERTISSEMENT

Pour réduire les risques d'incendie, d'électrocution, de blessure corporelle ou de décès, observez les mesures de précaution énoncées ci-après :

Si vous sentez une odeur de gaz :

- Fermez la valve et n'utilisez pas la cuisinière.
- N'allumez pas d'allumettes, de bougie ou de cigarette.
- N'allumez pas d'appareils électriques ou à gaz.
- Ne touchez pas les interrupteurs électriques ou ne branchez pas le cordon d'alimentation.
- N'utilisez pas le téléphone dans votre bâtiment.
- Faites évacuer tout le monde du bâtiment.
- Appelez immédiatement votre fournisseur de gaz avec le téléphone d'un voisin. Suivez les instructions de la compagnie de gaz.
- Si votre compagnie de gaz n'est pas joignable, appelez les pompiers.

Vérification des fuites de gaz

La vérification de la présence de fuites dans l'appareil doit être effectuée selon les instructions du fabricant.

N'utilisez pas de flamme pour vérifier s'il y a des fuites de gaz. Utilisez une brosse pour répandre une solution d'eau et de savon autour de la zone que vous vérifiez. En cas de fuite de gaz, de petites bulles apparaîtront dans l'eau savonneuse. En cas de doute, demandez l'aide d'un professionnel.

Consignes de sécurité importantes

Sécurité électrique et mise à la terre

AVERTISSEMENT

Pour réduire les risques d'incendie, d'électrocution, de blessure corporelle ou de décès, observez les mesures de précaution énoncées ci-après :

- Branchez la cuisinière sur une prise de courant à 3 broches avec mise à la terre.
- **Ne retirez pas** la broche de mise à la terre.
- **N'utilisez pas** d'adaptateur ou de rallonge.
- **N'utilisez pas** une prise ou un cordon d'alimentation endommagés, ni une prise électrique mal fixée.
- **Ne modifiez pas** la fiche, le cordon ou la prise d'alimentation.
- **Ne placez pas** de fusible dans un circuit neutre ou de mise à la terre.
- Utilisez un disjoncteur dédié de 240 Vac, 60-Hz, 50-Amp pour cette cuisinière. Un fusible à retardement ou un disjoncteur est recommandé. Ne branchez pas plus d'un appareil sur ce circuit.
- **Ne branchez pas** le fil de terre à des conduites en plastique de plomberie, de gaz ou d'eau chaude.
- Cette cuisinière **doit être mise à la terre**. En cas de dysfonctionnement ou de panne de la cuisinière, la mise à la terre réduit le risque de choc électrique en fournissant un chemin sûr pour le courant. Le cordon d'alimentation de cette cuisinière est muni d'une fiche de mise à la terre, qui doit être fermement branchée dans une prise de courant correctement installée et mise à la terre conformément aux réglementations locales. Si vous n'êtes pas sûr que votre prise électrique est correctement mise à la terre, faites-la vérifier par un électricien agréé.
- Cette cuisinière est fournie avec une fiche à quatre broches avec mise à la terre. Ce cordon doit être branché dans une prise à 4 broches correspondante et mise à la terre, conforme à tous les codes et règlements locaux. Si les codes permettent l'utilisation d'un fil de terre séparé, nous recommandons qu'un électricien qualifié détermine le chemin approprié pour ce fil de terre.
- L'alimentation électrique de la cuisinière doit être conforme aux codes locaux. En l'absence de codes locaux, il doit être conforme à la norme ANSI/NFPA n° 70 - Dernière révision (pour les États-Unis) ou au Code canadien de l'électricité CSA C22.1 - Dernières révisions.
- Le propriétaire de la cuisinière doit s'assurer qu'il dispose d'un service électrique approprié.

Sécurité de l'installation

⚠ AVERTISSEMENT

Pour réduire les risques d'incendie, d'électrocution, de blessure corporelle ou de décès, observez les mesures de précaution énoncées ci-après :

- L'appareil doit être installé et correctement mis à la terre par un installateur qualifié, comme indiqué dans les instructions d'installation. Les réglages et révisions doivent être effectués uniquement par un installateur ou un technicien qualifié.
- **N'essayez pas** de réviser/modifier/remplacer l'appareil ou une partie de celui-ci, sauf si cela est spécifiquement recommandé dans ce manuel. Toute autre réparation doit être effectuée par un technicien qualifié.
- N'utilisez que des connecteurs neufs et flexibles lors de l'installation de l'appareil.
- En raison de la taille et du poids de l'appareil, demandez à **deux personnes ou plus** de le déplacer.
- **Retirez** tout le ruban adhésif et les matériaux d'emballage.
- Après avoir déballé l'appareil, retirez tous les accessoires à l'intérieur et autour de l'appareil. Manipulez avec précaution les grilles et les grils lourds.
- **Assurez-vous** qu'aucune pièce ne s'est détachée pendant le transport.
- **Assurez-vous** que votre cuisinière est correctement installée/réglée par un technicien de service ou un installateur qualifié pour le type de gaz (naturel ou LP) que vous utiliserez.
- L'installation de cet appareil doit être conforme aux codes locaux ou, en l'absence de codes locaux, au National Fuel Gas Code, ANSI Z223.1/NFPA.54, dernière édition. Au Canada, l'installation doit être conforme au Code d'installation du gaz naturel, CAN/CGA-B149.1, ou au Code d'installation du propane, CAN/CGA-B149.2, et aux codes locaux, le cas échéant. Cette cuisinière a été certifiée par ETL selon la norme ANSI Z21.1, dernière édition, et par l'Association canadienne du gaz selon la norme CAN/CGA-1.1, dernière édition.

Consignes de sécurité importantes

Sécurité en matière d'emplacement

AVERTISSEMENT

Pour réduire les risques d'incendie, d'électrocution, de blessures corporelles ou de décès, respectez les précautions suivantes.

- Cette cuisinière est réservée à un usage intérieur et domestique. **N'installez pas** la cuisinière à l'extérieur ou dans un endroit où il sera exposé aux intempéries/à l'eau ou au vent/à de forts courants d'air.
- Choisissez un sol plat, bien construit et capable de supporter le poids de la cuisinière. Les revêtements de sol synthétiques, comme le linoléum, doivent résister à des températures de 82 °C (180 °F) sans rétrécir, se déformer ou se décolorer. **N'installez pas** la cuisinière directement sur la moquette intérieure de la cuisine, sauf si une feuille de contreplaqué de ¼ pouce ou un isolant similaire est placé entre la cuisinière et la moquette.
- Pour une bonne ventilation de la cuisinière, assurez-vous que les orifices de ventilation ne sont pas bloqués ou recouverts et qu'il y a suffisamment d'espace libre en haut, à l'arrière, sur les côtés et sous la cuisinière. Les orifices de ventilation permettent l'échappement nécessaire au bon fonctionnement de l'appareil, à une combustion correcte et à l'obtention des résultats de cuisson escomptés. Le fait d'obstruer ou de couvrir les événements peut entraîner une combustion incorrecte, ce qui pourrait provoquer des fuites de gaz et un incendie.
- **Assurez-vous** que les revêtements muraux autour de la cuisinière peuvent résister à la chaleur jusqu'à 200 °F (93 °C) générée par la cuisinière.
- Il faut éviter de ranger les armoires au-dessus de la surface de la cuisinière. S'il est nécessaire de disposer des armoires au-dessus de la cuisinière, prévoyez un espace minimum de 76,2 cm (30 po) entre la surface de cuisson et le bas des armoires ou installez une hotte qui dépasse horizontalement d'au moins 12,7 cm (5 po) le bas des armoires.
- **Placez** la cuisinière à l'écart des voies de circulation de la cuisine et des endroits exposés aux courants d'air afin d'éviter une mauvaise circulation de l'air.
- Si la cuisinière est située près d'une fenêtre, ne suspendez JAMAIS de longs rideaux ou des stores en papier sur cette fenêtre. Ils pourraient passer par-dessus les brûleurs de surface et s'enflammer, engendrant un risque d'incendie.

Sécurité de la table de cuisson

AVERTISSEMENT

Pour réduire les risques d'incendie, d'électrocution, de blessure corporelle ou de décès, observez les mesures de précaution énoncées ci-après :

- **Assurez-vous** que tous les brûleurs sont éteints lorsqu'ils ne sont pas utilisés.
- **N'utilisez pas** de papier aluminium pour recouvrir les grilles ou toute autre partie de la table de cuisson. Cela peut provoquer un empoisonnement au monoxyde de carbone. Les revêtements en papier d'aluminium peuvent également retenir la chaleur et présenter un risque d'incendie. **Ne laissez pas** les brûleurs sans surveillance à température moyenne ou élevée.
- Avant d'allumer l'appareil, assurez-vous que tous les chapeaux des brûleurs sont bien en place et que tous les brûleurs sont parfaitement horizontaux.
- **Référez-vous toujours** à la position du symbole de flammes pour allumer les brûleurs et assurez-vous que les brûleurs se sont allumés. Si l'allumage échoue, tournez le bouton sur **OFF (ARRÊT)** et attendez que le gaz se dissipe avant de rallumer le brûleur.
- Lorsque vous réglez un brûleur sur mijotage, **il ne faut pas tourner** le bouton rapidement. Assurez-vous que la flamme reste allumée.
- Pour chauffer des aliments, vous devez disposer d'une hotte de ventilation. La hotte doit être allumée lorsque vous faites chauffer des aliments.
- Avant de retirer ou de changer d'ustensile de cuisson, éteignez les brûleurs.
- Retirez les aliments et les ustensiles de cuisson immédiatement après la cuisson.
- Avant de retirer une partie du brûleur pour le nettoyer, assurez-vous que la cuisinière est éteinte et complètement refroidie.
- Après nettoyage l'anneau du brûleur, assurez-vous qu'il est complètement sec avant de le réassembler.
- **Assurez-vous** que la marque de l'étincelle sur l'anneau du brûleur double est placé à côté de l'électrode lors de l'assemblage.
- Pour éviter tout empoisonnement au monoxyde de carbone, **ne versez pas** d'eau dans le puits de la table de cuisson pendant le nettoyage.
- Choisissez des ustensiles de cuisine conçus pour la cuisson sur la table de cuisson. Utilisez des ustensiles de cuisson recommandés dont la taille ne dépasse pas celle des grilles de la table de cuisson.
- Pour éviter la décoloration ou la déformation des ustensiles de cuisson ou une intoxication au monoxyde de carbone, n'utilisez pas d'ustensiles de cuisson beaucoup plus grands que la grille.
- Assurez-vous que les poignées des ustensiles de cuisson sont tournées vers le côté ou l'arrière de la table de cuisson, mais pas au-dessus des autres brûleurs de surface ou du bord avant de la table de cuisson.
- Ne vous tenez pas directement au-dessus d'une casserole lorsque vous faites frire des aliments.

Consignes de sécurité importantes

- Faites toujours chauffer les huiles de friture lentement et surveillez-les pendant qu'elles chauffent. Si vous devez faire frire des aliments à feu vif, surveillez attentivement le processus de cuisson. Si vous devez combiner des graisses ou des huiles pour la friture, mélangez-les avant de les chauffer.
- Utilisez un thermomètre de friture lorsque cela est possible pour ne pas chauffer l'huile au-delà de son point de fumée.
- Utilisez une quantité minimale d'huile pour la cuisson à la poêle ou la friture. Ne faites pas frire des aliments congelés, glacés, froids ou humides.
- Avant de déplacer des ustensiles de cuisine remplis de graisses ou d'huiles, assurez-vous qu'ils ont complètement refroidi.
- Pour éviter tout risque de débordement après ébullition, laissez toujours reposer les liquides chauffés au moins 20 secondes après avoir éteint le brûleur, afin que la température du liquide puisse se stabiliser. En cas de brûlure, suivez ces instructions de premiers secours :
 - Plongez la zone échaudée dans de l'eau fraîche pendant au moins 10 minutes.
 - N'appliquez pas de crèmes, d'huiles ou de lotions.
 - Couvrez avec un tissu propre et sec.
- Placez la casserole au centre de la grille. Ne placez pas de casserole de plus de 9 po de diamètre sur les brûleurs arrière. Si vous placez une casserole surdimensionnée dans la mauvaise position, elle pourrait perturber la circulation d'air nécessaire et faire en sorte que la flamme du brûleur crache et brûle de manière inefficace.
- **Ne portez pas** de vêtements amples ou flottants pendant l'utilisation de la cuisinière. Ils pourraient s'enflammer et vous brûler s'ils touchent un brûleur de surface.
- **Ne laissez jamais** d'objets en plastique sur la table de cuisson. L'air chaud provenant de la fente d'aération peut faire fondre ou enflammer des articles en plastique ou provoquer une accumulation de pression dangereuse dans des récipients en plastique fermés. Le plastique fondu peut obstruer les fentes d'aération situées à l'arrière de la cuisinière. L'obstruction des événements peut provoquer une combustion incorrecte, entraînant des fuites de gaz et un incendie. Vous risquez de vous brûler gravement si vous touchez les surfaces situées près de l'événement pendant que le four fonctionne.
- **Ne placez pas** d'appareils portables ou tout autre objet autre que des ustensiles de cuisine sur la table de cuisson. Des dommages ou un incendie pourraient se produire si la table de cuisson est chaude.
- **Vérifiez toujours** que les commandes sont sur **OFF** (arrêt) et que les grilles sont froides avant de les retirer pour éviter tout risque de brûlure.
- **Ne placez pas** de matériaux ou d'objets combustibles autour de la cuisinière.
- **Ne touchez pas** les brûleurs lorsqu'ils sont allumés. Éteignez les brûleurs lorsque vous changez une casserole ou une marmite.

Sécurité du four

AVERTISSEMENT

Pour réduire les risques d'incendie, d'électrocution, de blessures corporelles ou de décès, respectez les précautions suivantes.

- **Ne pas utiliser** le four à des fins autres que la cuisson, comme le séchage du linge ou le stockage. Utilisez le four uniquement pour la cuisson.
- **Assurez-vous** que les grilles du four sont placées au même niveau de chaque côté.
- **Ne pas endommager, retirer ou nettoyer** le joint de la porte.
- **Ne pas pulvériser** d'eau sur la vitre du four lorsque celui-ci est allumé ou juste après l'avoir éteint.
- Tenez-vous à l'écart lorsque vous ouvrez la porte du four.
- Veillez à ce qu'il n'y ait pas d'accumulation de graisse dans le four.
- Avant de repositionner les grilles du four, **assurez-vous que** le four est complètement froid.
- **Ne pas** mettre d'objets en plastique à l'intérieur du four.
- Pour éviter d'endommager les boutons de commande des brûleurs ou la commande du four, faites toujours cuire ou griller les aliments avec la porte du four fermée.
- **Ne pas** placer la viande trop près de l'élément de gril. Coupez l'excès de graisse avant de faire griller.
- Suivez les instructions du fabricant en cas d'utilisation de sacs de cuisson ou de rôtissage dans le four.
- **Ne recouvrez JAMAIS** les fentes, les trous ou les passages de la sole du four ou une grille entière avec un matériau tel qu'une feuille d'aluminium. Cela bloque la circulation de l'air dans le four et peut provoquer une intoxication au monoxyde de carbone. Les doublures en aluminium peuvent également retenir la chaleur et présenter un risque d'incendie.

Sécurité du four auto-nettoyant

AVERTISSEMENT

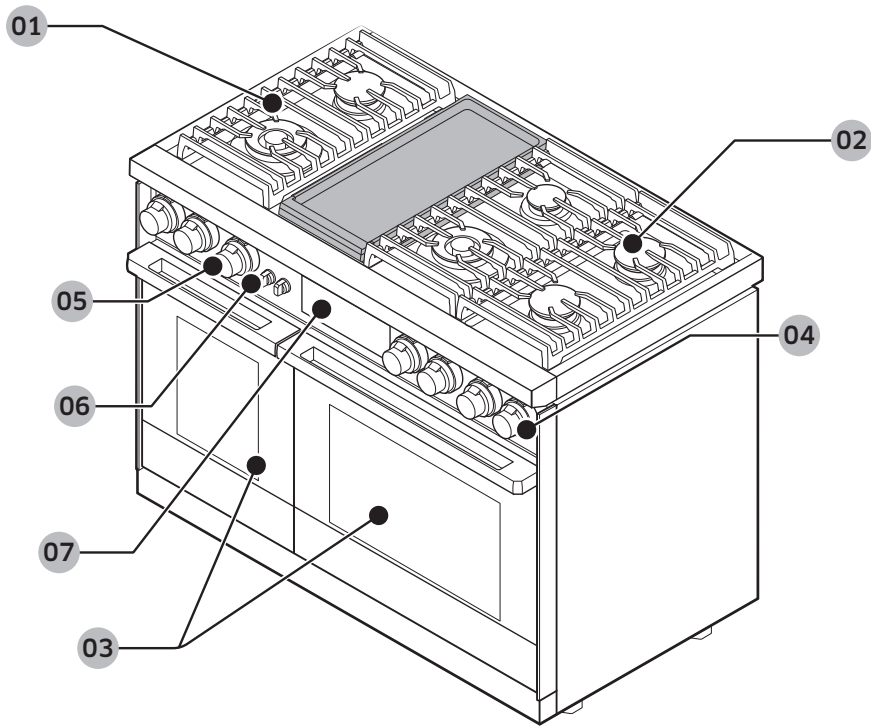
Pour réduire les risques d'incendie, d'électrocution, de blessures corporelles ou de décès, respectez les précautions suivantes.

- La fonction d'auto-nettoyage fait fonctionner le four à des températures suffisamment élevées pour brûler les salissures alimentaires dans le four. La cuisinière est extrêmement chaude pendant un cycle d'auto-nettoyage. **Ne touchez** aucune surface de la cuisinière pendant un cycle d'auto-nettoyage.
- Tenez les enfants éloignés du four pendant un cycle d'auto-nettoyage.
- Avant de débiter un cycle d'auto-nettoyage, retirez tous les objets non fixés du four et essuyez toutes les surfaces du four.
- Après un cycle d'auto-nettoyage, tenez-vous à l'écart lorsque vous ouvrez la porte du four.
- En cas de dysfonctionnement du cycle d'auto-nettoyage, éteignez le four, coupez le disjoncteur et contactez un technicien qualifié.
- Certains oiseaux sont extrêmement sensibles aux fumées qui se dégagent pendant le cycle d'auto-nettoyage d'un four. Déplacez les oiseaux dans une autre pièce bien ventilée.

Aperçu

Fonctionnalités extérieures

Aperçu

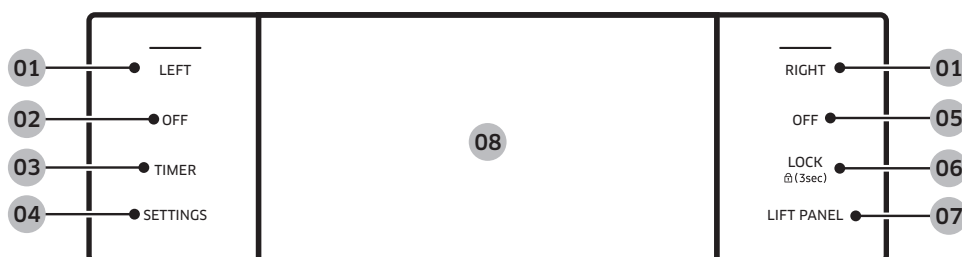


DOP48C96D**

- 01 Grille
- 02 Brûleurs de surface
- 03 Porte de four amovible
- 04 Boutons de brûleurs de surface (6)
- 05 Bouton du grill
- 06 Bouton (éclairage manuel du four)
- 07 Tableau de commande

Tableau de commande

Tapotez l'écran avec des doigts propres et nus. Les gants de cuisine et les mains mouillées ou sales empêchent le transfert électronique entre le doigt et le tableau.

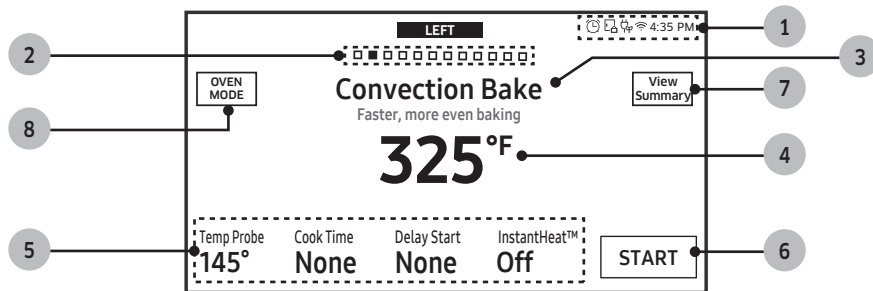


- 01 **LEFT, RIGHT (GAUCHE, DROITE)** : Permet d'afficher le mode gauche/droit du four.
Indique le statut; ne permet pas de mettre les fours en **marche/arrêt**.
- 02 **OFF (ARRÊT)** : Annule la cuisson dans le four.
- 03 **TIMER (MINUTERIE)**: Affiche l'écran de la minuterie.
- 04 **SETTINGS (RÉGLAGES)**: Affiche l'écran des réglages.
- 05 **OFF (ARRÊT)** : Annule la cuisson dans le four droit.
- 06 **LOCK (VERROU)** : Appuyez et maintenez enfoncée la touche pendant 3 secondes pour désactiver toutes les fonctions du four.
- 07 **LIFT PANEL (TABLEAU DE LEVAGE)**: Touchez pour incliner ou faire coucher le tableau.
- 08 **Écran** : Balayez pour parcourir les menus, appuyez pour sélectionner un réglage.

Aperçu

Affichage

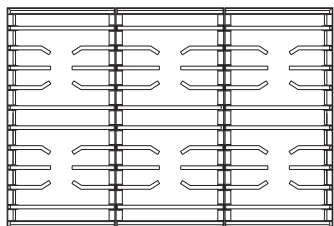
L'écran montré est uniquement à titre de référence et peut différer quelque peu de l'affichage réel.



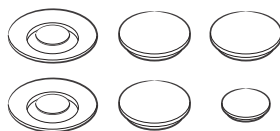
- 1. Zone indicatrice**
 - **Timer (Minuterie)** (🕒) : Une fois que la minuterie est réglée, son témoin s'affiche. Si 3 minuterie ou plus sont réglées, leur nombre s'affiche.
 - **Door lock (Verrou de la porte)** (🔒) : S'affiche lorsque la porte du four est verrouillée.
 - **Wi-Fi** (📶) : Affiche l'intensité du signal Wi-Fi sur 4 niveaux. Lorsque le Wi-Fi est déconnecté, 📶 s'affiche.
 - **12-Hour energy saving (Economie d'énergie de 12 heures)** (🌿) : S'affiche si l'option d'économie d'énergie de 12 heures est activée.
 - **Current time (Heure actuelle)** : Affiche l'heure actuelle.
- 2. Page indicator (Indicateur de page)** : Indique l'emplacement (par numéro de page) du mode actuel.
- 3. Mode** : Le menu actuel/sélectionné s'affiche avec une description du mode.
- 4. Temperature (Température)** : La température actuelle/sélectionnée apparaît; appuyez dessus pour afficher l'écran Réglage de la température.
- 5. Zone d'information**
 - **Temp Probe (Sonde de température)** : Le réglage de la sonde de température apparaît; appuyez dessus pour afficher l'écran Sonde de température.
 - **Cook Time (Temps de cuisson)** : Indique le temps de cuisson restant, appuyez pour afficher l'écran du temps de cuisson.
 - **Delay Start (Départ Différé)** : Indique l'heure de départ différé, appuyez pour afficher l'écran de départ différé.
 - **InstantHeat^{MC}** : Indique que cette fonction est **activée/désactivée**; apparaît en mode Convection Bake (Cuisson par Convection) ou Convection Roast mode (Rôtissage par Convection).
 - **Steam (Vapeur)** : Indique le niveau de vapeur; appuyez pour afficher l'écran du niveau de vapeur; s'affiche dans les modes Steam Bake (Cuisson vapeur) et Steam Roast (Rôtissage vapeur).
- 6. START (DÉMARRER)** Appuyez pour commencer à utiliser le four selon le réglage choisi.
- 7. View Summary (Afficher le résumé)** : Appuyez pour afficher les modes de cuisson du four de gauche et de droite.
- 8. OVEN MODE (MODE DU FOUR)** : Appuyez pour afficher le menu du mode sélectionné.

Articles inclus

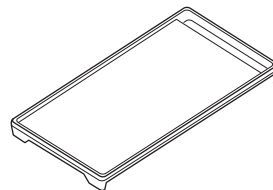
La cuisinière est livrée avec des capuchons de brûleur en laiton ou en porcelaine adaptés aux préférences du client. (Les capuchons en laiton se décolorent à l'usage; cependant, la décoloration n'affecte pas la fonction prévue des capuchons.)



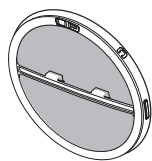
Grilles (3)



Têtes de brûleur (6)
et capuchons de brûleur (8)



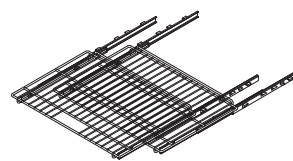
Gril (1)



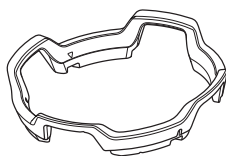
Filtres à convection (3)



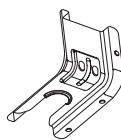
Sondes de température (2)



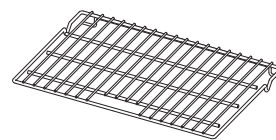
Grilles coulissantes (2)



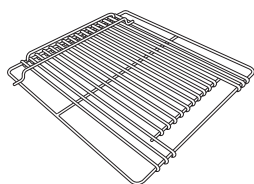
Anneau de wok (1)



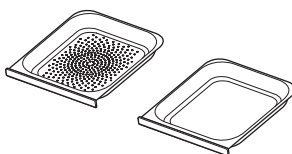
Support anti-basculement (1)



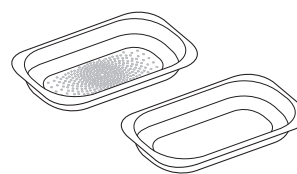
Grille métallique (1)



Petite grille (1)*



Plateaux à vapeur (2)*



Demi plateaux à vapeur (2)*

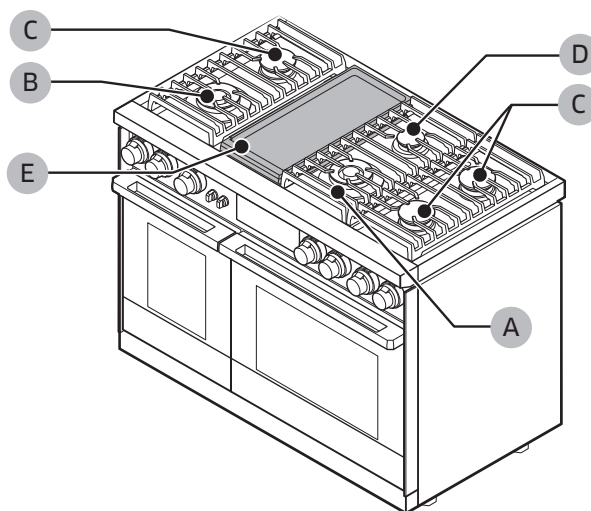
*Four à vapeur uniquement

Utilisation de la table de cuisson

À propos des brûleurs

La cuisinière dispose de quatre types de brûleurs. (Consultez ci-dessous pour connaître la puissance calorifique et l'emplacement des brûleurs.) La cuisinière produit une étincelle pour allumer le brûleur lorsque vous tournez le bouton sur HI (élevé). Les joints d'étanchéité sous les brûleurs empêchent les liquides déversés de s'infiltrer dans les pièces internes.

DOP48C96D**



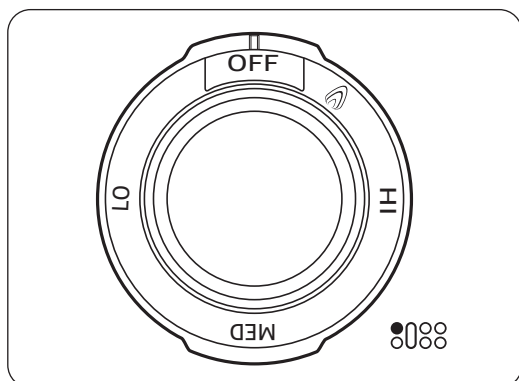
A	Double brûleur 22 K	D	Double brûleur empilé 9 K
B	Double brûleur 18 K	E	Gril électrique 1,4 kW
C	Double brûleur empilé 16 K		

Chaque brûleur est conçu pour un objectif de cuisson spécifique, comme le montre le tableau ci-dessous.

Brûleur	Position	Objectif	Type d'aliments
Double brûleur	Centre avant (CF)	Chauffage puissant/ Mijotage faible	Aliments à bouillir, sauce tomate
	Avant gauche (LF)	Réchauffement rapide/Mijotage faible	Cuisson générale
Double brûleur empilé	Arrière gauche (LR), Avant centre (RF), Arrière droit (RR), Arrière centre (CR)	Réchauffement général/ Mijotage faible	Alimentation générale, Casseroles
Gril électrique, 1,4 kW	Centre	Offrir une surface de cuisson supplémentaire	Viande, crêpes, bacon, œufs

À propos de l'allumage des brûleurs

Chaque bouton est relié à un brûleur qui se trouve à proximité dudit bouton.



Pour allumer un brûleur :

1. Enfoncez le bouton, et tournez-le dans le sens antihoraire jusqu'au symbole de la flamme. L'allumeur produit une étincelle et clignote jusqu'à ce que le brûleur s'allume (environ 4 secondes).
2. Mettez les ustensiles de cuisson sur la grille.
3. Réglez la flamme au besoin pour une cuisson appropriée.

REMARQUE

- La flamme doit brûler uniformément autour du brûleur, sauf sous chaque support de la grille, où la hauteur de la flamme est réduite par la fonction Smart Flame de Dacor. Une flamme normale est régulière et bleue. La présence de corps étrangers dans la conduite de gaz, en particulier dans les nouvelles constructions, peut provoquer une flamme orange qui s'estompe à l'usage. Les flammes à pointe jaune sont normales pour le gaz de pétrole liquéfié. Si un brûleur ne s'allume pas, si l'allumeur ne cesse de produire des étincelles ou si la flamme est irrégulière, consultez la section **Dépannage**, Page **96**.
- L'allumeur produit des étincelles si la flamme est perturbée par un courant d'air ou l'aération de la maison. Éliminez les courants d'air et réduisez la vitesse de la soufflerie de ventilation pour minimiser cette condition.
- Si aucune étincelle n'est produite, assurez-vous que l'électricité est présente. En cas d'absence d'alimentation, consultez la rubrique **Allumage manuel** (ci-dessous).
- Les aliments cuisent aussi rapidement à faible ébullition qu'à forte ébullition, ce qui entraîne un gaspillage d'énergie et une perte d'humidité, de saveur et de nutriments.
- Utilisez une flamme basse/moyenne pour les ustensiles de cuisson qui conduisent mal la chaleur (verre, céramique, fonte, etc.). Baissez la flamme jusqu'à ce qu'elle couvre environ 1/3 du diamètre de l'ustensile de cuisson pour assurer un chauffage uniforme et minimiser les brûlures.

Allumage manuel

En cas d'absence d'alimentation, vous pouvez allumer le brûleur manuellement. Soyez prudent lors de cette opération.

1. Tenez un long briquet pour gril à gaz devant le brûleur de surface que vous voulez allumer.
2. Enfoncez le bouton de commande de ce brûleur, puis tournez-le sur la position du symbole de la flamme.
Allumez le briquet à gril pour allumer le brûleur.
3. Une fois le brûleur allumé, tournez le bouton de commande pour régler le niveau de la flamme.

Utilisation de la table de cuisson

Utilisez l'ustensile de cuisson approprié

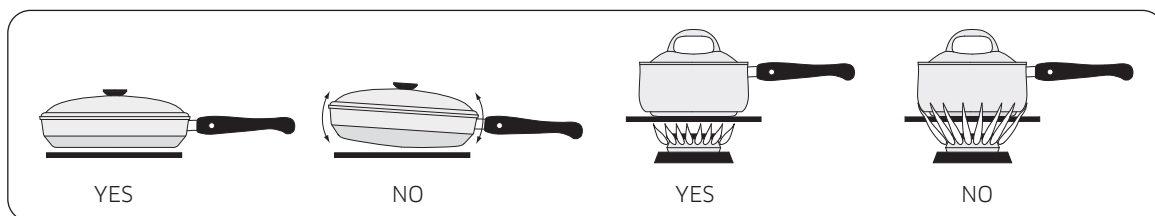
⚠ AVERTISSEMENT

- Les ustensiles de cuisine dont le fond est rugueux peuvent endommager de façon permanente les surfaces à revêtement.
- Pour éviter les brûlures et les échaudures, éloignez les poignées de l'avant de la cuisinière et des brûleurs adjacents. Placez toujours les ustensiles de cuisson au centre des grilles pour un meilleur équilibre.
- Soulevez toujours les ustensiles de cuisson pour les repositionner. Ne les laissez pas tomber sur une grille.
- Pour éviter les brûlures ou les incendies, gardez la flamme sous l'ustensile de cuisson.
- Assurez-vous que l'ustensile de cuisson en verre est conçu pour être utilisé sur la table de cuisson.
- Ne laissez jamais d'objets en plastique sur la table de cuisson ou à l'avant de la cuisinière. Les flammes ou l'air chaud dans ces zones peuvent faire fondre/enflammer/faire exploser ces objets.
- Tenez un wok ou une petite casserole par sa poignée pendant la cuisson.

Pour une sécurité globale et des performances optimales, choisissez un ustensile de cuisson adapté à la tâche à accomplir afin que les aliments cuisent de manière uniforme et efficace.

Utilisez des ustensiles de cuisine qui :

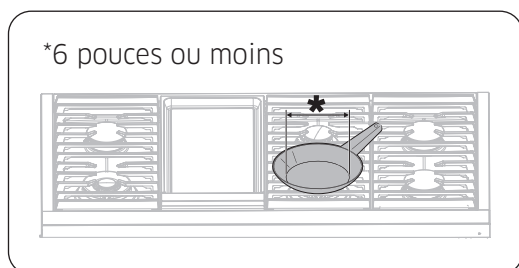
- Comporte un fond plat et lisse
- ont des couvercles hermétiques empêchant la chaleur, les odeurs et la vapeur de s'échapper
- est bien équilibré, la poignée pesant moins que la partie principale de la casserole ou de la poêle



Caractéristiques des matériaux

- Aluminium : Excellent conducteur de chaleur. Certains aliments peuvent noircir l'aluminium. (L'aluminium anodisé résiste aux taches et aux piqûres.)
- Cuivre : Excellent conducteur de chaleur, mais se décolore facilement.
- Acier inoxydable : Faible conducteur de chaleur, cuisson inégale, durable, facile à nettoyer, résiste aux taches.
- Fonte : Mauvais conducteur mais retient très bien la chaleur.
- Article en métal émaillé : Les caractéristiques calorifiques dépendent du matériau de base.
- Verre : Faible conducteur de chaleur, est conçu pour être utilisé sur la table de cuisson ou dans le four.

Limites de taille



⚠ AVERTISSEMENT

Pour éviter tout basculement ou blessure, ne placez pas une poêle/casserole dont le diamètre de la partie inférieure est inférieur ou égal à 6 po sur le grand brûleur. Utilisez les brûleurs arrières pour les ustensiles de cuisson de cette taille.

Caractéristiques spéciales de la table de cuisson

Perma-Flame^{MC}

La fonction de rallumage instantané Perma-Flame rallume automatiquement et rapidement un brûleur qui s'éteint. Avec Perma-Flame, votre expérience culinaire est ininterrompue, car la flamme est rallumée au même niveau que lorsqu'elle s'est éteinte.

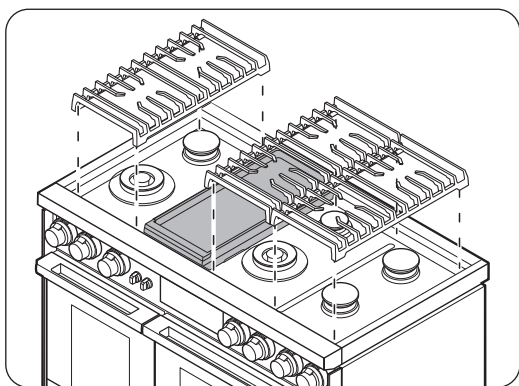
Smart Flame^{MC}

La technologie Smart Flame réduit la température sous les doigts des grilles en fonte à revêtement en porcelaine. Smart Flame prolonge la durée de vie de la grille et protège la finition.

SimmerSear^{MC}

Le système de contrôle du brûleur de précision exclusif de Dacor. Il vous permet de cuisiner avec un large éventail de réglage de chaleur, du mijotage à la cuisson.

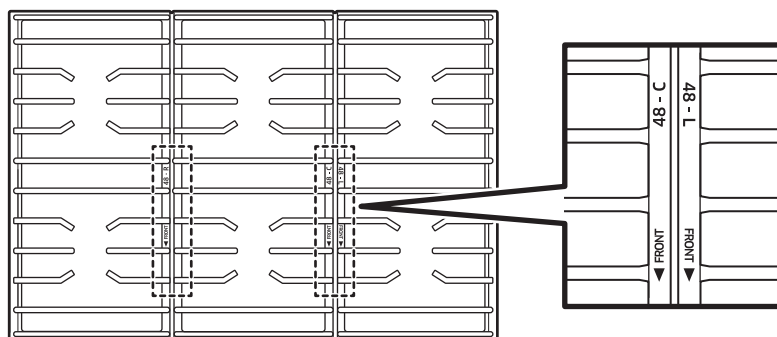
À propos des grilles



Inspectez le dessous de chaque grille pour vous assurer qu'elle est bien positionnée, puis emboîtez leurs pieds dans les creux correspondants. (Manipulez les grilles lourdes avec précaution.)

REMARQUE

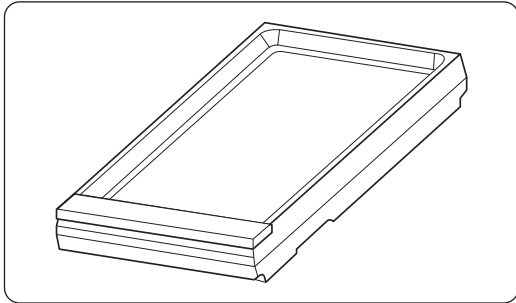
Avant d'installer les grilles, veuillez vérifier les mots sous les grilles. Les mots vous indiquent où se trouve la face avant et la position correcte de la grille, à droite, au centre ou à gauche.



Utilisation de la table de cuisson

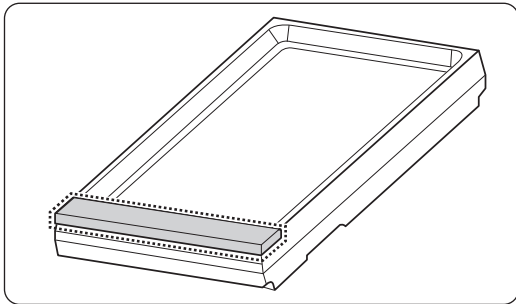
Gril (électrique)

Pour de meilleurs résultats, laissez le gril préchauffer sur HIGH pendant environ 10 minutes avant de commencer à cuisiner. Tournez pour descendre jusqu'au réglage de cuisson souhaité.



1. Avant d'utiliser le gril pour la première fois, lavez-le à l'eau chaude et savonneuse. Rincez-le et laissez-le sécher soigneusement.
2. Lorsque tous les brûleurs sont éteints et que la cuisinière est froide au toucher, placez le gril sur la deuxième place en partant de la gauche, qui est sa place d'origine.

Après la cuisson, les graisses et les débris seront piégés dans un bac à graisse.

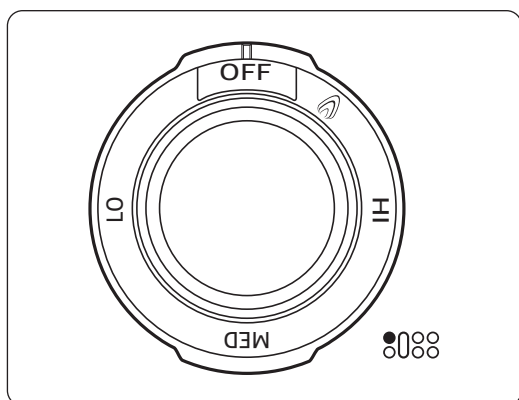


Pour nettoyer le gril.

1. Retirez le couvercle du bac à graisse.
2. Vous devez nettoyer le bac à graisse en l'essuyant avec une serviette en papier. Vous pouvez également séparer le gril en le soulevant, et vider le bac à graisse.

ATTENTION

Laissez le gril refroidir avant de le nettoyer.



- Contrairement aux autres boutons, le bouton du gril n'a pas de lumière.
- Le bouton du gril et les boutons des brûleurs ont la position opposée de la marque de flamme.

Les informations relatives au préchauffage sont indiquées dans le tableau ci-dessous.

Type d'aliments	Temps de préchauffage	Réglage du préchauffage	Réglage de la cuisson
Crêpes	8 à 10 min.	Élevé	MOYENNE À ÉLEVÉ
Hamburgers	15 à 20 min.	Élevé	Élevé
Œufs au plat	8 à 10 min.	Élevé	MOYENNE À ÉLEVÉ
Bacon	10 à 15 min.	Élevé	Élevé
Saucisses pour le petit-déjeuner	8 à 10 min.	Élevé	Élevé

⚠ ATTENTION

- Ne retirez pas le gril avant que la cuisinière, les autres surfaces et le gril lui-même n'aient totalement refroidi.
- Le gril peut devenir très chaud pendant que vous utilisez la cuisinière.
- Ne faites pas trop chauffer le gril. Cela pourrait endommager le revêtement du gril.
- N'utilisez pas d'ustensiles en métal pouvant endommager la surface du gril.
- N'utilisez pas le gril à d'autres fins, par exemple comme planche à découper ou comme étagère de rangement.
- Ne faites pas cuire d'aliments excessivement gras. La graisse pourrait déborder.
- Le gril est assez lourd. Utilisez vos deux mains lorsque vous placez ou retirez le gril.

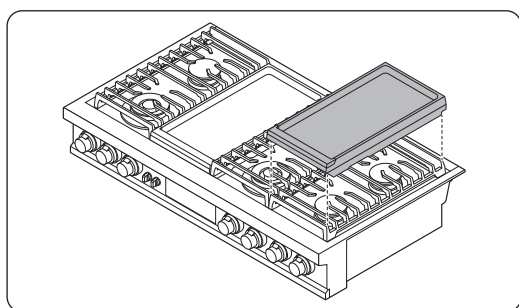
📖 REMARQUE

- Au fil du temps, vous devrez peut-être ajuster les réglages de chaleur du gril.
- Le gril peut se décolorer au fil du temps car il vieillit avec l'usage.
- Ne laissez pas de rouille sur le gril. Si de la rouille apparaît sur le gril, retirez-la dès que possible.

Utilisation de la table de cuisson

Grill (accessoires supplémentaires)

- Avant d'utiliser le grill pour la première fois, lavez-le à l'eau chaude et savonneuse, puis rincez-le et laissez-le sécher complètement.
- Pour de meilleurs résultats, préchauffez le grill pendant 3 à 5 minutes.
- Orientez le bac à graisse du grill à l'arrière de la cuisinière.



1. Une fois tous les brûleurs éteints et la cuisinière refroidie au toucher, placez la plaque et la grille à droite de la cuisinière.
 - Les brûleurs spécifiés sont de la même taille, ce qui assure une cuisson uniforme à l'avant et à l'arrière.
 - Insérez les languettes situées au bas des pieds dans les coins intérieurs de la grille. Un léger balancement est normal.
2. Poussez et tournez le bouton des brûleurs de droite sur le réglage d'allumage (flamme). Le brûleur s'allume.

ATTENTION

Évitez d'employer des ustensiles en métal sur la surface, car ils peuvent rayer le revêtement anti-adhésif.

REMARQUE

Nettoyez le grill après chaque utilisation.

Les informations relatives au préchauffage sont indiquées dans le tableau ci-dessous.

Type d'aliments	Temps de préchauffage	Réglage du préchauffage	Réglage de la cuisson
Crêpes	3 à 5 min.	FAIBLE À MOYENNE	FAIBLE À MOYENNE
Hamburgers	3 à 5 min.	MOYENNE À ÉLEVÉ	MOYENNE À ÉLEVÉ
Œufs au plat	3 à 5 min.	FAIBLE À MOYENNE	FAIBLE À MOYENNE
Bacon	3 à 5 min.	MOYENNE	MOYENNE
Saucisses pour le petit-déjeuner	3 à 5 min.	MOYENNE	MOYENNE

ATTENTION

- Ne retirez pas le gril avant que la cuisinière, les autres surfaces et le gril lui-même n'aient totalement refroidi.
- Le gril peut devenir très chaud pendant que vous utilisez la cuisinière.
- Ne faites pas trop chauffer le gril. Cela pourrait endommager le revêtement du gril.
- N'utilisez pas d'ustensiles en métal pouvant endommager la surface du gril.
- N'utilisez pas le gril à d'autres fins, par exemple comme planche à découper ou comme étagère de rangement.
- Ne faites pas cuire d'aliments excessivement gras. La graisse pourrait déborder.
- Le gril est assez lourd. Utilisez vos deux mains lorsque vous placez ou retirez le gril.

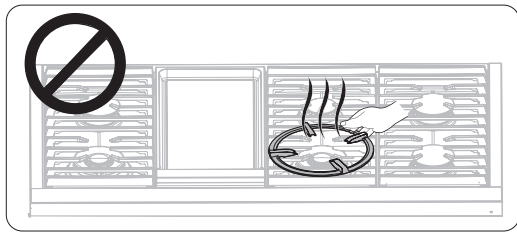
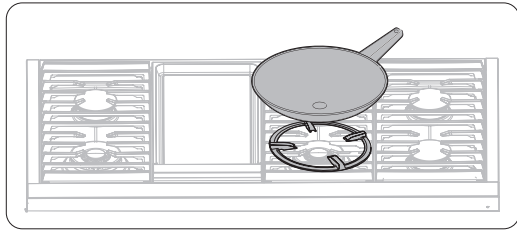
REMARQUE

- Au fil du temps, vous devrez peut-être ajuster les réglages de chaleur du gril.
- Le gril peut se décolorer au fil du temps car il vieillit avec l'usage.
- Ne laissez pas de rouille sur le gril. Si de la rouille apparaît sur le gril, retirez-la dès que possible.

Utilisation de la table de cuisson

À propos de l'anneau de wok

Les woks sont souvent utilisés pour faire sauter, frire et pocher. L'anneau pour wok fourni peut accueillir des woks de 12 à 14 pouces.



1. Éteignez tous les brûleurs et laissez les grilles refroidir complètement.
2. Mettez l'anneau de wok sur la grille au-dessus du double brûleur « CF ».
3. Réglez un wok sur l'anneau de wok.
4. Allumez le brûleur et ajustez la flamme comme il convient.

ATTENTION

- Évitez de retirer l'anneau de wok jusqu'à ce que toutes les surfaces chaudes aient refroidi complètement.
- Évitez d'utiliser les ustensiles de cuisson à fond plat ou dont le diamètre est inférieur à 12 po.
- N'utilisez pas un wok surdimensionné. Les flammes du brûleur peuvent endommager la matière et causer des brûlures.
- Faire flamber les aliments uniquement si la hotte de ventilation est en marche.
- N'utilisez pas l'anneau de wok et le gril en même temps.
- Utilisez des gants de four pour placer ou retirer l'anneau de wok.

Utilisation du four de base

Réglages basiques : Horloge, date et temps, langue

Thème de l'horloge

Pour modifier le thème de l'horloge.

1. Appuyez sur **SETTINGS** > **Display** (RÉGLAGES > Écran).
2. Appuyez sur **Thème de l'horloge**, faites pivoter l'écran pour afficher les thèmes, puis sélectionnez un thème.

Date et heure

Pour activer la date et l'heure automatiques.

1. Activer le **Wi-Fi**.
2. Appuyez sur **SETTINGS** > **Date & Time** > **Automatic date and time** (RÉGLAGES > Date et heure > Date et heure automatiques), et dans l'écran de droite, appuyez sur **ON** (ACTIVER).
La date et l'heure se règlent automatiquement.

Pour saisir manuellement la date et l'heure

1. Appuyez sur **SETTINGS** > **Date & Time** > **Automatic date and time** (RÉGLAGES > Date et heure > Date et heure automatiques), et dans l'écran de droite, appuyez sur **OFF** (Désactiver).
Le fuseau horaire, la date et l'heure sont activés.
2. Réglez le fuseau horaire, la date et l'heure.

Pour modifier le format de l'heure

1. Appuyez sur **SETTINGS** > **Date & Time** > **Select time format** (RÉGLAGES > Date et heure > Sélectionner le format de l'heure), puis appuyez sur l'écran de droite.
2. Sélectionnez le format 12 ou 24 heures pour l'horloge.

Langue

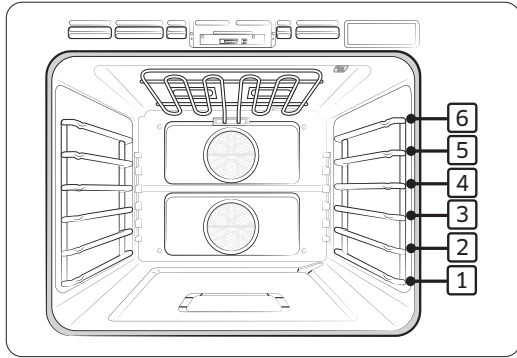
Choisissez la langue d'affichage.

1. Appuyez sur **RÉGLAGES** > **Langue**, puis sur l'écran de droite.
2. Sélectionnez **English (Anglais)**, **Spanish (Espagnol)**, or **French (Français)**.

Utilisation du four de base

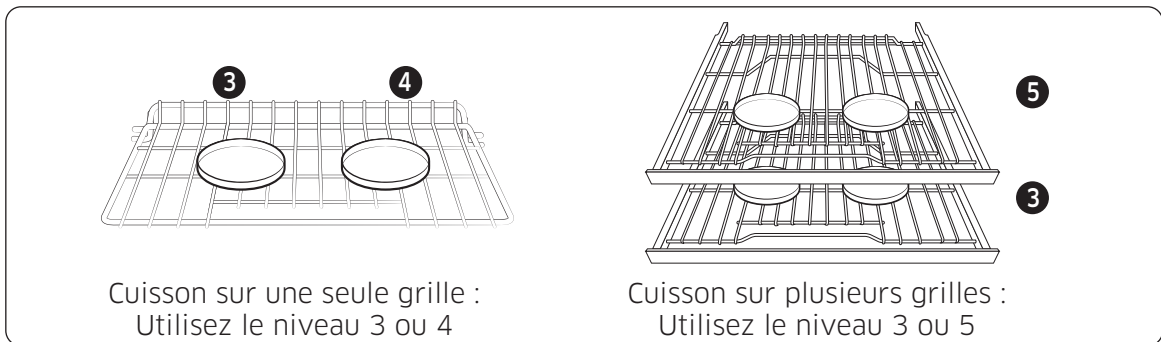
Utilisation des grilles du four

Four droit



Type d'aliments	Niveau
Griller des hamburgers	6
Griller de la viande, des petits morceaux de volaille, du poisson	3 à 5
Gâteau Bundt/quatre-quart, tarte surgelée, casserole	4 ou 3
Gâteaux d'ange, petits rôtis	2
Dinde, grand rôti, jambon, pizza fraîche	1

Placement des grilles et des moules



Pour obtenir de meilleurs résultats, positionnez autant que possible les moules au centre dans le four. Si vous utilisez plusieurs moules, chacun devrait être espacé d'au moins 1 po.

Avant d'utiliser les grilles

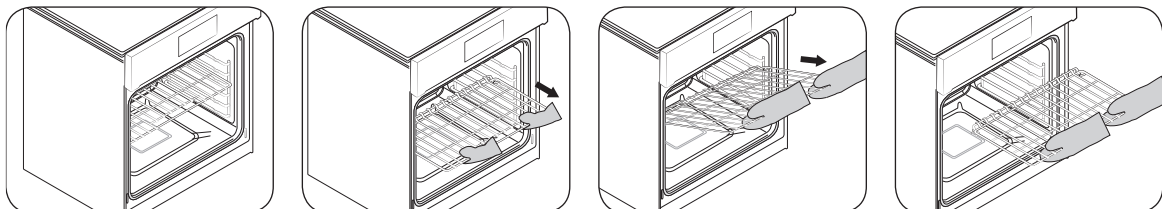
Chaque grille est dotée de butées qui doivent être placées correctement sur les supports pour éviter que la grille ne soit accidentellement tirée complètement. (Ajustez les grilles uniquement lorsque le four est froid.)

Retrait des grilles

Tirez la grille tout droit jusqu'à ce qu'elle s'arrête, puis inclinez la grille vers le haut et sortez-la.

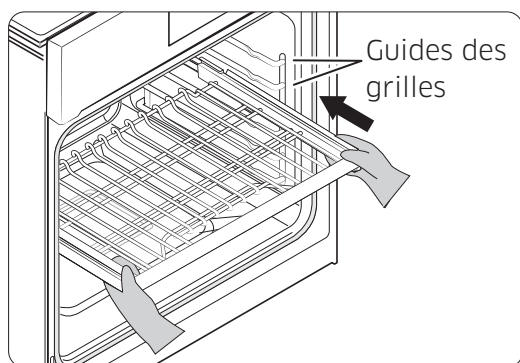
Installation des grilles

Placez l'extrémité de la grille sur le support, puis inclinez l'avant vers le haut et insérez la grille.

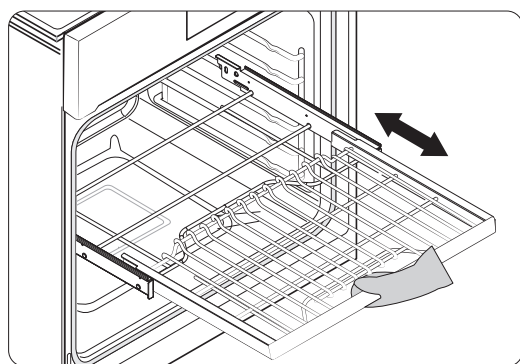


Utilisation de la grille coulissante

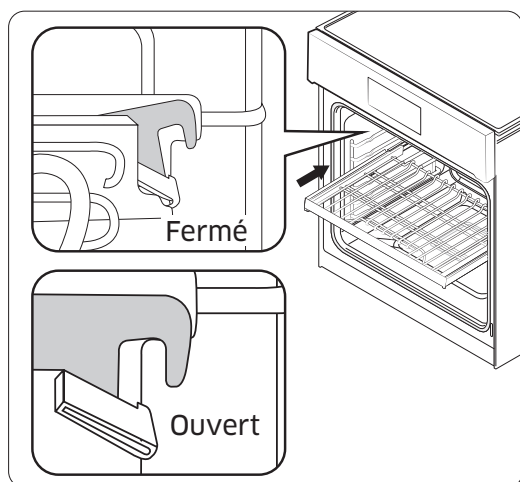
Deux grilles coulissantes permettent à la grille de sortir complètement du four pour faciliter le retrait et la mise en place des ustensiles de cuisson, en particulier des plats lourds.



Les glissières de la grille coulissante rétractées et le four éteint, insérez la grille entre les guides jusqu'à ce qu'elle atteigne l'arrière.



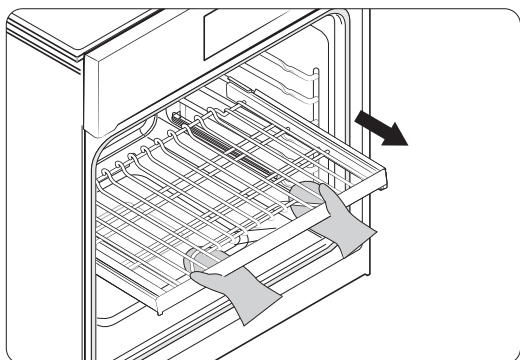
Tenez la poignée pour tirer la grille coulissante (gauche). Si vous tirez sur le cadre, la grille risque de se détacher des guides, s'endommager et blesser l'utilisateur. Portez les gants de cuisine lorsque vous manipulez la grille coulissante pendant la cuisson.



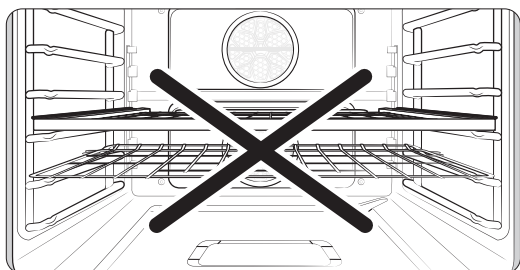
REMARQUE

Verrouillez la partie inférieure de la grille coulissante contre la paroi du four lors de l'utilisation pour s'assurer que la grille reste fixe sur les guides. Le crochet sur la grille coulissante est commandée par la partie supérieure de la grille. Le crochet fermé s'incline vers le haut. (Voir à gauche)

Utilisation du four de base



Lorsque la grille coulissante est fermée et que le four est éteint et froid, saisissez la grille et le cadre et tirez-les tous les deux vers l'avant pour les retirer.



⚠ ATTENTION

Gardez au moins un niveau de grille ouvert entre une grille coulissante et une grille métallique (voir à gauche).

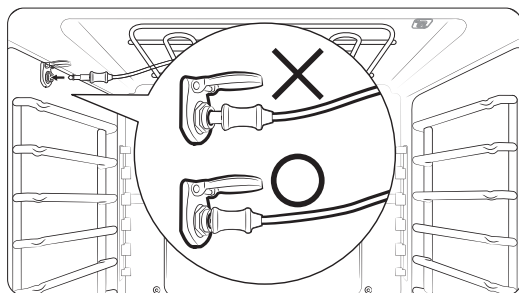
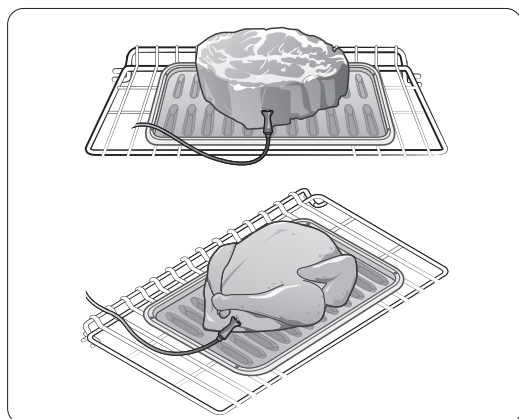
📄 REMARQUE

Vous pouvez installer la grille coulissante sur n'importe quel niveau de grille, sauf le plus bas (niveaux de grille disponibles : 2 à 6).

Utilisation de la sonde de température

Pour de nombreux aliments, notamment les rôtis et la volaille, la mesure de la température interne est le meilleur moyen de déterminer la cuisson. Cette fonctionnalité vous permet de cuisiner la viande à la température interne exacte. Utilisez-la avec les options Bake (Cuisson), Convection Bake (Cuisson par convection), Convection Roast (Rôtissage par convection), Pure Conv. Sear (Cuisson par convection pure), Dual Four-Part Pure Convection (Double convection pure en quatre parties), Steam Bake (Cuisson à la vapeur), Steam Roast (Rôtissage à la vapeur), Steam (Vapeur) ou Fine Steam (Vapeur fine). Lorsque la température interne de la viande atteint 100 °F, la température actuelle s'affiche sur l'écran de la sonde.

1. Enfoncez l'extrémité de la sonde de température au centre de la viande.



- Enfoncez la sonde comme cela est indiqué à gauche. Ne touchez pas les os, la graisse ou les cartilages. Si vous n'enfoncez pas complètement la sonde, vous obtiendrez la température du four et non celle de la viande.
- Viande avec os : Enfoncez la sonde au centre de la partie la plus basse et la plus épaisse.
- Volaille entière : Enfoncez la sonde dans la partie la plus épaisse de l'intérieur de la cuisse, parallèlement à la patte.
- Si vous activez la fonction Maintien au chaud pour conserver la viande au chaud après l'avoir fait cuire à l'aide de la sonde de température, la viande risque de cuire au-delà de la température souhaitée.
- Emplacement de la prise de la sonde de température
 - Cuisinière 48 po (four gauche) : paroi du four gauche
 - Cuisinière 48 po (four droit) : paroi du four droit

Utilisation du four de base

2. Insérez la sonde de température dans la prise située sur la paroi supérieure du four.
3. (cuisinière de 48 po) Appuyez sur **LEFT (GAUCHE)** ou **RIGHT (DROITE)**, puis faites glisser la souris vers une opération de cuisson (Bake (Cuisson), Convection Bake (Cuisson par Convection), Convection Roast (Rôtissage par Convection), Pure Conv. Sear (Cuisson par Convection pure) ou Dual Four-Part Pure Convection (convection pure double à quatre parties)). Sélectionnez un mode de cuisson, et réglez la température de cuisson. (Voir page 46)
4. Appuyez sur **Temp Probe (Sonde de température)** et, à l'aide du pavé numérique, réglez une température interne comprise entre 100 °F et 200 °F.
5. (Facultatif) Régler le temps de cuisson/départ Différé.
6. Appuyez sur **START (DÉMARRER)**. Une fois que la température interne réglée est atteinte, la sonde s'éteint et une alarme retentit.)

REMARQUE

Si vous retirez la sonde de température sans annuler la fonction ou si vous l'insérez sans régler la fonction, la cuisson s'arrête au bout d'une minute.

⚠ ATTENTION

- Pour protéger la pointe de la sonde, décongelez complètement les aliments et ne laissez pas la pointe sortir de la viande.
- La sonde ne doit être dans le four que si elle est utilisée.
- Évitez d'utiliser des pinces pour insérer/retirer la sonde.
- N'utilisez la sonde de température que conformément aux instructions.

Type d'aliments		Niveau
Bœuf / Agneau	Saignant	140 °F
	Moyen	160 °F
	Bien cuit	170 °F
Porc		170 °F
Volaille		180 - 185 °F

📄 REMARQUE

Si vous recouvrez la viande cuite d'une feuille d'aluminium et que vous la laissez reposer pendant 10 minutes, la température interne grimpe de 5 à 10 degrés. Après la cuisson, retirez la sonde de la prise, puis retirez la viande.

À propos des fonctions du four

Four	Caractéristiques du four
Four de base	Cuisson, Cuisson par Convection, Rôtissage par Convection, Gril, Cuisson par convection pure, Gril par Convection, Convection pure double 4 parties, Fonction spéciale, Mode Cuisson gourmet, Nettoyage
Four à vapeur	Cuisson, cuisson par convection, rôtissage par convection, grillade, grillade par convection convection pure en 4 parties, cuisson vapeur, rôtissage vapeur, vapeur, fonction spéciale, cuisson vapeur spéciale, nettoyage

📄 REMARQUE

Pour les descriptions des caractéristiques du four à vapeur de la cuisinière de 48 po, consultez le diagramme à la page 72.

Utilisation du four de base

Mode de cuisson

Pour la cuisinière de 48 po, appuyez sur DROIT, puis balayez pour sélectionner le mode de cuisson; réglez ensuite une température. (Voir Réglage de la température de cuisson, Page 46 et Instructions de base pour la cuisson au four et au grill,, Page 47)

Mode	Plage de température	Modèle de 48 po		Sonde de température	Instant-Heat ^{MC}
		Left (Gauche)	Right (Droite)		
Bake (Cuisson Traditionnelle)	175 °F (80 °C) - 550 °F (285 °C)	0	0	0	-
Convection Bake/Roast (Cuisson/Rôtissage par Convection)	175 °F (80 °C) - 550 °F (285 °C)	0	0	0	0
Grillade	Bas / Élevé	0	0	-	-
Cuisson par convection pure	175 °F (80 °C) - 475 °F (245 °C)	-	0	0	-
Grillade par convection	175 °F (80 °C) - 550 °F (285 °C)	0	0	-	-
Convection pure double à 4 parties	175 °F (80 °C) - 550 °F (285 °C)	0	0	0	-

Four	Instruction
Bake (Cuisson Traditionnelle)	<ul style="list-style-type: none"> Ce mode est destiné à la cuisson de gâteaux, de biscuits de plats en cocotte. Préchauffez toujours le four. Le temps de cuisson varie en fonction des ingrédients et de la taille ou de la forme du moule de cuisson. Les revêtements foncés ou antiadhésifs peuvent cuire plus rapidement avec plus de brunissement. Le ventilateur à convection peut se mettre en marche/arrêt pendant la cuisson.
Convection Bake (Cuisson Par Convection)	<ul style="list-style-type: none"> Ce mode utilise un ventilateur pour faire circuler la chaleur du four de façon uniforme et continue. Une meilleure distribution de la chaleur permet une cuisson uniforme et optimise les résultats avec plusieurs grilles. Les pains/pâtisseries dorent plus uniformément. La température du four doit être réglée manuellement par incrément de 25 °F.
Rôtissage par convection	<ul style="list-style-type: none"> Idéal pour la cuisson de gros morceaux de viande à découvert, le ventilateur de convection fait circuler l'air chaud de façon uniforme tout autour des aliments. La viande/la volaille est dorée sur tous les côtés comme si elle était rôtie. L'air chaud scelle les jus pour obtenir un goût moelleux et tendre, tout en créant un extérieur riche et doré.
Grillade	<ul style="list-style-type: none"> Permet de cuire des morceaux de viande tendres par chaleur directe sous l'élément de grillage du four. La chaleur élevée cuit rapidement et donne un aspect extérieur riche et doré; adapté pour la viande/le poisson/la volaille d'une épaisseur maximale de 1 po. Préchauffez toujours le four pendant 5 minutes. Confère Broiling Recommendation Guide (Guide de recommandation en matière de grillade), page 45.
Cuisson par convection pure	Utilise un élément de convection et un ventilateur; le four fait cuire la viande à une température supérieure de 75 °F (42 °C) à la température de consigne pendant les 15 premières minutes; le processus de brunissement fait cuire l'extérieur de la viande pour emprisonner les jus naturels; idéal pour le gibier à plumes, les poulets, les dindes (farciées ou non), les poitrines de dinde, les filets de porc et les longes de porc.

Utilisation du four de base

Grillade par convection	<ul style="list-style-type: none">• Il est semblable au mode gril mais, excepté le ventilateur de convection qui fait circuler l'air.• L'élément de gril se met en marche/arrêt pour maintenir la température du four, tandis que le ventilateur fait circuler l'air chaud.• Pour des morceaux plus épais de viande, de poisson et de volaille; il fait dorer doucement l'extérieur et scelle les jus.• Pour de meilleurs résultats, préchauffez l'élément de grillage pendant 5 minutes.
Cuisson vapeur	<ul style="list-style-type: none">• Idéale pour le pain, les pâtisseries, les desserts; elle augmente l'humidité pour améliorer la texture et la saveur.• Confère Steam Bake / Steam Roast Recommendation Guide (Guide de recommandation en matière de cuisson vapeur / rôtissage vapeur), page. 45.
Rôtissage vapeur	<ul style="list-style-type: none">• Idéal pour les viandes et les volailles rôties; maintient une surface croustillante, tout en retenant les jus de cuisson pour un goût plus moelleux et tendre.• Confère Steam Bake / Steam Roast Recommendation Guide (Guide de recommandation en matière de cuisson vapeur / rôtissage vapeur), page. 45.
Double convection pure en quatre parties	Utilise un élément de convection et un ventilateur pour faire circuler l'air uniformément, ce qui permet d'utiliser plus d'espace dans le four; convient pour la cuisson au four à une ou plusieurs grilles, le rôtissage, la cuisson de repas complets; les aliments comme les pizzas, les gâteaux, les biscuits, les plats cuisinés surgelés peuvent être cuits sur 2 - 3 grilles; convient également pour le canard entier rôti, l'épaule d'agneau, le gigot d'agneau.

Guide de recommandation en matière de grillade

La taille, le poids, l'épaisseur, la température de départ et vos préférences en matière de cuisson détermineront le temps de cuisson.

Ce guide est basé sur des viandes à la température du réfrigérateur. Utilisez toujours une lèchefrite et sa grille pour la cuisson au gril.

Préchauffez toujours le four pendant 5 minutes.

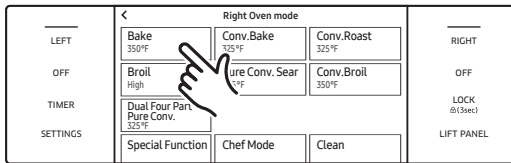
Aliment	Cuisson	Taille	Épaisseur	Niveau	Position de la grille	Temps de cuisson (minutes)	
						1 ^{er} côté	2 ^e côté
Hamburgers	Moyen	9 galettes	¾ po	Élevé	6	3 h 00	2 h 00
	Moyen	9 galettes	1 po	Élevé	6	3 h 20	2 h 20
Steaks de bœuf	Saignant		1 po	Élevé	5	5 h 00	4 h 00
	Moyen		1 - 1½ po	Élevé	5	6 h 00 - 6 h 30	4 h 30 - 4 h 00
	Bien cuit		1 - 1½ po	Faible	4	7 h 00 - 8 h 00	4 h 00 - 5 h 00
Morceaux de poulet	Bien cuit	4,5 lbs	½ - ¾ po	Faible	3	16 h 00 - 18 h 00	13 h 00 - 15 h 00
	Bien cuit	2 lbs	½ - ¾ po	Faible	3 ou 4	15 h 00 - 16 h 00	10 h 00 - 12 h 00
Côtelettes de porc	Bien cuit	1 lbs	1 po	Faible	3	8 h 00 - 10 h 00	6 h 00 - 8 h 00
Filets de poisson	Bien cuit		¼ - ½ po	Faible	3 ou 4	7 h 00 - 8 h 00	4 h 00 - 5 h 00

Steam Bake / Steam Roast Recommendation Guide (Guide de recommandation en matière de cuisson vapeur / rôtissage vapeur)

Mode vapeur	Niveau	Aliments
Cuisson vapeur	Élevée	Pains de seigle, desserts (flan au caramel)
	Moyenne	Croissants, tartes, plats réchauffés (pizzas, plats en cocotte)
	Faible	Pâtisseries
Rôtissage vapeur	Élevée	-
	Moyenne	Viandes, volaille
	Faible	Dinde, gros morceaux de viande

Utilisation du four de base

Réglage du mode de cuisson

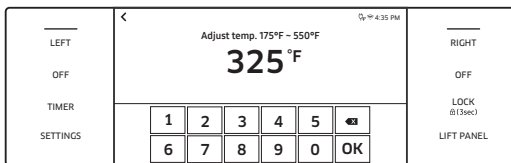


- Faites glisser l'écran vers la gauche/droite pour sélectionner un mode.

- Touchez la zone de mode pour afficher le mode résumé.

- Touchez un mode.

Réglage de la température de cuisson

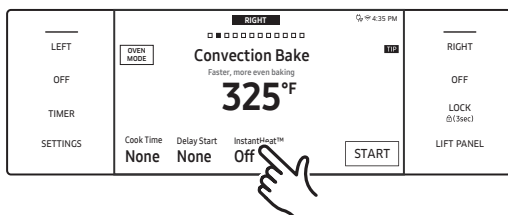


- Touchez la température pour afficher le pavé numérique.

- Touchez le pavé numérique pour régler la température.

- Appuyez sur **OK**.

Instructions de base en matière de cuisson et de grillage



- (cuisinière de 48 pouces) Appuyez sur **RIGHT**(DROIT), puis faites glisser pour sélectionner un mode de cuisson. Sélectionnez un mode de cuisson.
- Réglez une température. (Voir la page 46)
 - Le mode gril ne peut être réglé que sur Élevé ou Faible.
 - Maintien au chaud et Les températures d'étuvage du pain ne peuvent pas être ajustées.
- Cette étape montre comment utiliser InstantHeat™, Cuisson à la vapeur ou Rôtissage à la vapeur. Si vous n'utilisez pas ces fonctions, passez à **Step 4** (Étape 4).

InstantHeat^{MC}

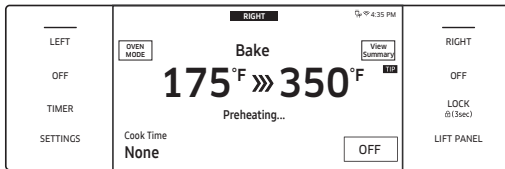
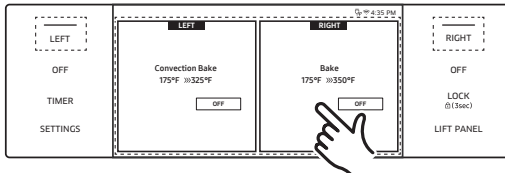
- Si vous sélectionnez Convection Bake (Cuisson par convection) ou Convection Roast (Rôtissage par convection), l'écran affiche les informations sur InstantHeat^{MC}. (Par défaut : **OFF (ARRÊT)**). Appuyez sur InstantHeat™ pour activer la fonction; l'écran affiche **ON (MARCHE)**.

REMARQUE

- Pour de meilleurs résultats, cuisinez sur une grille. (Cuisson au four sur le niveau 3 ou 4 de la grille ; Rôtissage sur le niveau 1 ou 2).
- Lorsque vous utilisez InstantHeat^{MC}, ne préchauffez pas le four.
- Préchauffez le four si la cuisson fait gonfler les aliments (gâteaux, pâtes feuilletées).

Utilisation du four de base

Réglage de la température pendant la cuisson



Si vous utilisez ce mode, suivez une de ces instructions :

- Appuyez sur **RIGHT** (DROIT) (zone ou bouton), puis sur la zone de température, et utilisez le clavier pour entrer une nouvelle température.
- Placez les aliments dans le four préchauffé si la recette l'exige. Le préchauffage est très important pour obtenir de bons résultats lors de la cuisson de gâteaux, de biscuits, de pâtisseries et de pains. Lorsque la température réglée est atteinte, le four émet 6 bips.

- Le ventilateur du four à convection s'arrête lorsque la porte du four est ouverte.
- NE laissez PAS la porte ouverte pendant de longues périodes lorsque vous utilisez la cuisson par convection, car vous risquez de réduire la durée de vie de l'élément chauffant à convection.

REMARQUE

- Quand la porte est ouverte sur un four en fonctionnement, la cuisson s'arrête automatiquement au bout de 2 minutes.
- Une fois la cuisson terminée, le ventilateur de refroidissement se met à tourner jusqu'à ce que le four soit refroidi.
- Videz l'eau résiduelle après la cuisson à la vapeur. N'interrompez pas le processus de vidange.
- Après la cuisson à la vapeur, videz le réservoir afin que l'eau résiduelle n'affecte pas les autres modes de cuisson.
- La température indiquée sur un thermomètre de four peut différer de la température réglée pour le four.
- Le ventilateur de convection se met normalement en marche et s'arrête pendant la cuisson.

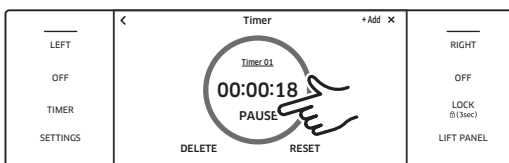
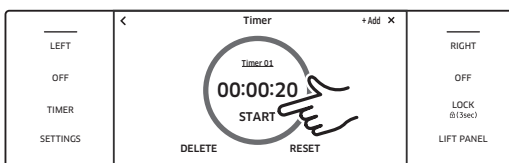
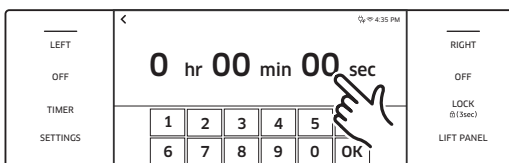
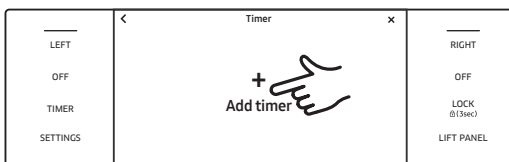
ATTENTION

Faites toujours griller les aliments avec la porte du four fermée. Ouvrez la porte avec précaution. Laissez l'air chaud s'échapper avant de retirer les aliments du four ou de les y mettre.

Utilisation de la minuterie de cuisine

Cette minuterie supplémentaire émet un signal sonore lorsque le temps programmé est écoulé. Elle marche avec tous les modes du four, mais elle ne lance ni n'interrompt les fonctions de cuisson.

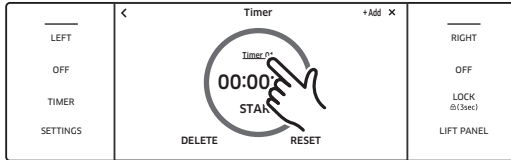
Comment régler la minuterie



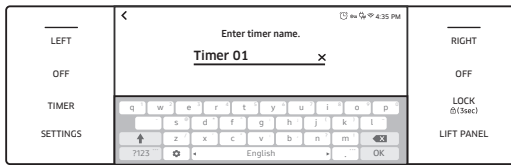
1. Touchez la fonction **TIMER** .(MINUTERIE)
2. Sur l'écran Minuterie, appuyez sur + **Add timer** (Ajouter une minuterie).
3. Utilisez le pavé numérique pour régler le temps de 1 seconde à 23 h 59 minutes et 59 secondes.
4. Appuyez sur **START** (DÉMARRER). À l'issue de la durée programmée, le four émet un signal sonore; l'écran indique que la minuterie est terminée, tout comme le réglage actuel.
 - Mettez sur pause/remettez à zéro/annulez la minuterie à tout moment en touchant l'écran.
 - (cuisinière de 48 po) La minuterie réglée dans le four de gauche peut être utilisée dans le four de droite, et vice versa.

Utilisation du four de base

Modification du nom de la minuterie



Vous avez la possibilité de changer le nom de la minuterie pour illustrer la tâche de cuisson (p. ex., Poulet).



1. Touchez la zone du nom de la minuterie. (Le clavier apparaît.)



2. Utilisez le clavier pour saisir le nom de la minuterie. (L'écran affiche le nouveau nom.)

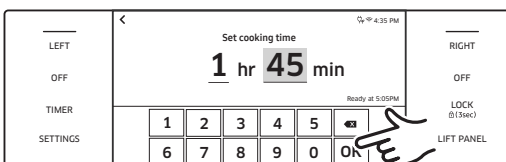


Utilisation de la cuisson minutée

Le four s'allume immédiatement, cuit pendant la durée programmée, puis s'éteint automatiquement lorsque la cuisson est terminée. La cuisson minutée ne fonctionne qu'avec une autre opération de cuisson (Cuisson, Cuisson par convection, Rôtissage par convection, Cuisson par convection pure. Gril par convection, Cuisson vapeur, Rôtissage vapeur, Double convection pure en quatre parties, Vapeur, Étuvage, Mode cuisson à la pierre, Déshydratation, Vapeur fine).

REMARQUE

Voir page 42 pour les modes disponibles pour chaque four.



- (cuisinière de 48 po) Appuyez sur **LEFT** (GAUCHE) ou **RIGHT** (DROIT), puis basculez vers un mode de cuisson. Sélectionnez un mode de cuisson.
- Touchez la fonction **Cook Time** (Temps de cuisson). (L'écran affiche le temps de cuisson.)
- Appuyez sur les chiffres du pavé numérique pour régler le temps de cuisson (de 1 min à 9 h 59 min).
- Le temps de cuisson apparaît dans la zone Temps de cuisson de l'écran. (Annulez à tout moment le temps défini en le réglant sur 0 minute.)

ATTENTION

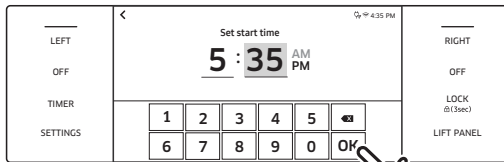
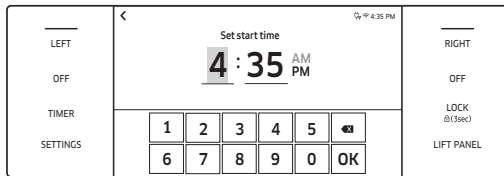
Vous pouvez utiliser la cuisson minutée et le départ différé pour cuire les viandes saumurées ou congelées, ainsi que la plupart des fruits et légumes. Les aliments qui se gâtent facilement (par exemple, le lait, les œufs, le poisson, la viande, la volaille) doivent d'abord être refroidis dans le réfrigérateur. Même les aliments réfrigérés ne doivent pas rester dans le four plus de 1 heure avant le début de la cuisson et doivent être retirés rapidement lorsque la cuisson est terminée.

Utilisation du four de base

Utilisation du départ différé

Dans ce mode, la minuterie du four allume le four selon l'heure réglée. Vous pouvez faire en sorte que le four s'éteigne lorsqu'un temps pré-réglé s'est écoulé en réglant également la cuisson minutée.

- Le départ différé ne peut être utilisé qu'avec une autre mode de cuisson (Cuisson, Cuisson par convection, Rôtissage par convection, Cuisson par convection pure, Cuisson vapeur, Rôtissage vapeur, Double convection pure en quatre parties, Vapeur, Étuvage, Mode cuisson à la pierre, Déshydratation, Vapeur fine, Auto-nettoyage).
- Vous pouvez régler le four sur un départ différé avant de régler les autres modes de cuisson.
- L'horloge doit être réglée sur l'heure actuelle.



1. Ajustez la ou les grilles et placez l'aliment dans le four.
2. (cuisinière de 48 pouces) Appuyez sur **LEFT (GAUCHE)** ou **RIGHT (DROITE)**, puis faites glisser vers un mode de cuisson; sélectionnez un mode de cuisson.
3. Réglez un temps de cuisson si vous souhaitez que le four s'éteigne automatiquement une fois ce temps de cuisson écoulé. (Voir Utilisation de la cuisson minutée, g. 51).
4. Touchez **Delay Start** (Départ différé). (L'heure actuelle apparaît comme la première entrée.)
5. Utilisez le pavé numérique pour régler une heure de début de cuisson. (L'écran Départ différé se ferme; l'heure de départ et, si elle est réglée, la durée de cuisson, apparaissent à l'écran.)

Utilisation des fonctions de nettoyage

La fonction de nettoyage a quatre sélections : Auto-nettoyage, GreenClean™, détartrage et vidange.

Caractéristique	Cuisinière professionnelle de 48 po	
	Left (Gauche)	Right (Droite)
Self Clean (auto-nettoyage)	-	0
GreenClean ^{MC}	0	0
Détartrage	0	-
Vidange	0	-

Auto-nettoyage (four droit 48 po) L'auto-nettoyage utilise des températures bien supérieures à celles de la cuisson pour brûler complètement les graisses et les aliments résiduels ou les réduire en une fine cendre que vous pouvez essuyer avec un chiffon humide.

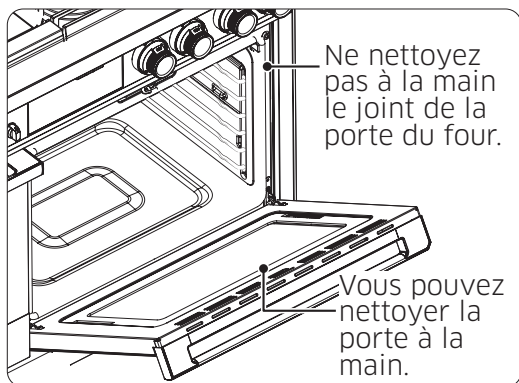
⚠ ATTENTION

- Pendant l'autonettoyage, l'extérieur du four devient très chaud. Ne laissez pas les enfants sans surveillance à proximité de l'appareil.
- Les fumées émises lors de l'auto-nettoyage sont nocives pour les oiseaux de compagnie, qui doivent être déplacés temporairement dans une pièce séparée et bien ventilée.
- Ne recouvrez aucune partie du four de feuille d'aluminium. La circulation de la chaleur est ainsi entravée, les résultats sont médiocres et l'intérieur du four peut être endommagé de façon permanente.
- Ne forcez pas l'ouverture de la porte du four pendant l'autonettoyage, car vous risqueriez d'endommager le système de verrouillage automatique. Tenez-vous à l'écart lorsque vous ouvrez la porte du four après l'autonettoyage pour laisser l'air chaud s'échapper.

Utilisation du four de base

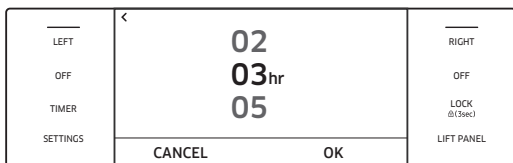
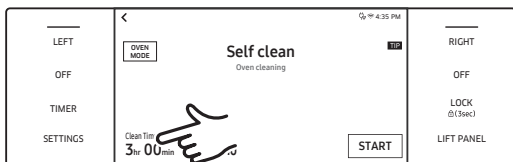
Auto-nettoyage

Cette fonction chauffe la chambre du four à une température très élevée, incinérant les résidus en une fine cendre qui peut être essuyée avec un chiffon humide.



- Aérez suffisamment la cuisine pendant l'auto-nettoyage.
- Si vous nettoyez automatiquement les grilles chromées du four, elles vont s'assombrir, se ternir et devenir difficiles à faire glisser.
- Nettoyez à la main les résidus sur le cadre avant du four et à l'extérieur du joint de porte avec de l'eau chaude, des tampons de laine d'acier remplis de savon ou des nettoyeurs doux. Rincez à l'eau claire et séchez.
- Essuyez les débris sur le fond du four.
- Assurez-vous que le couvercle de l'éclairage du four est en place et que la lumière est éteinte.

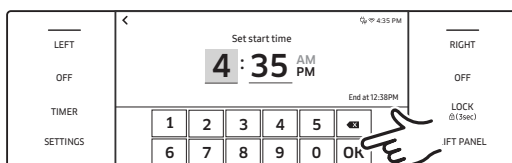
- Nettoyez à la main les résidus sur le cadre avant du four et à l'extérieur du joint de porte avec de l'eau chaude, des tampons de laine d'acier remplis de savon ou des nettoyeurs doux. Rincez à l'eau claire et séchez.
- Ne le nettoyez pas. Son matériau en fibre de verre ne peut pas résister à l'abrasion. Le joint d'étanchéité doit rester intact. S'il est usé, remplacez-le.
- Dacor recommande l'auto-nettoyage une fois par an uniquement. Si un nettoyage supplémentaire est nécessaire tout au long de l'année, utilisez la fonction de nettoyage écologique. (Voir la page 56)



1. Retirez les grilles, le filtre du ventilateur et les accessoires du four.
2. Balayez l'écran vers **Clean** (Nettoyage).
3. Touchez **Self clean** (Auto-nettoyage).
4. Touchez **Clean Time** (Temps de nettoyage).
5. Touchez l'écran pour régler le temps de nettoyage (2, 3 ou 5 heures [valeur par défaut : 3]), et appuyez sur **OK**.



6. Si vous n'utilisez pas Départ différé, passez à l'étape 8. Sinon, appuyez sur **Départ différé** et passez à l'étape 7.



7. Réglez l'heure à laquelle vous souhaitez que l'auto-nettoyage commence, puis appuyez sur **OK**.



8. Appuyez sur **START** (DÉMARRER) pour lancer l'auto-nettoyage. (Le verrouillage automatique des portes s'enclenche; les deux portes se verrouillent lorsque vous lancez l'autonettoyage sur l'un des fours.)



Si vous devez annuler l'auto-nettoyage, appuyez sur **OFF** (ARRÊT).

REMARQUE

- Vous ne pouvez pas lancer l'auto-nettoyage si le verrouillage des commandes est activé ou si le four est trop chaud.
- Pendant l'autonettoyage, les portes du four se verrouillent automatiquement. L'affichage indique le temps de nettoyage restant. Les portes du four ne s'ouvriront pas tant que le four n'aura pas complètement refroidi.
- L'auto-nettoyage ne peut être utilisé que dans un seul four à la fois, et le four inactif ne peut pas être utilisé.
- Ne mettez pas en marche la table de cuisson pendant l'auto-nettoyage.

Après un cycle d'auto-nettoyage

- Essuyez la cendre à l'aide d'un chiffon humide. (Si des taches blanches subsistent, éliminez-les avec un tampon de laine d'acier rempli de savon et rincez abondamment avec un mélange d'eau et de vinaigre.)
- Si le four n'est pas propre après un cycle, répétez le cycle.
- Vous ne pouvez régler le four pour cuisiner tant que la porte est verrouillée.
- De fines lignes générées à l'intérieur de la cavité peuvent apparaître lors du refroidissement et du chauffage répétés du produit après une utilisation prolongée. Ce phénomène est normal, n'affecte pas les performances du produit et est sans danger pour le corps humain.

Utilisation du four de base

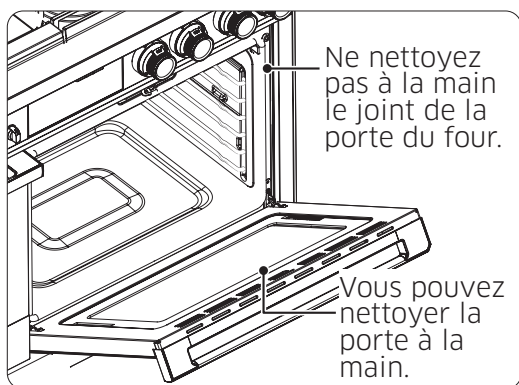
GreenClean^{MC}

Cette fonction permet de gagner en temps et d'économiser de l'énergie en chauffant la chambre du four suffisamment pour détacher les résidus de cuisson afin de pouvoir les essuyer avec un chiffon humide.

⚠ ATTENTION

La porte du four se verrouille pendant GreenClean^{MC}. Forcer l'ouverture de la porte peut endommager le système de verrouillage automatique.

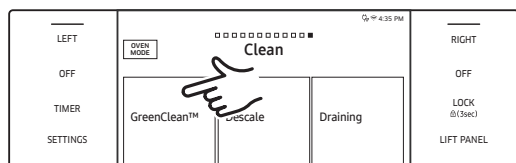
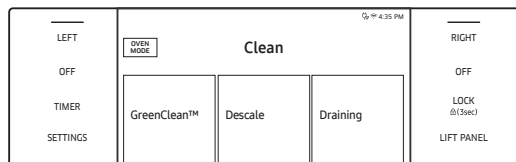
Avant un cycle GreenClean^{MC}



- Retirez les grilles, les supports de grille, la lèchefrite, l'insert de la lèchefrite et tous les ustensiles de cuisine.
- Les grilles de four de couleur argentée peuvent être nettoyées écologiquement, mais elles noirciront et deviendront plus difficiles à faire glisser.
- Ne nettoyez pas le joint de la porte. Son matériel ne peut pas résister à l'abrasion. Le joint d'étanchéité doit rester intact. S'il est usé, remplacez-le.
- Assurez-vous que le couvercle de l'éclairage du four est en place et que l'éclairage du four est éteint.

- Les résidus sur le cadre avant du four et à l'extérieur du joint de porte doivent être nettoyés à la main avec de l'eau chaude, des tampons de laine d'acier remplis de savon ou des nettoyeurs tels que Soft Scrub. Rincez abondamment avec de l'eau claire et séchez.

Lancement d'un cycle GreenClean^{MC}



1. Balayez l'écran vers Clean (Nettoyage).
2. Appuyez sur **GreenClean^{MC}**.
3. Appuyez sur **START (DÉMARRER)** pour lancer le mode GreenCleanTM, et suivez les instructions qui s'affichent à l'écran.

REMARQUE

- (Four de base) Pour de meilleurs résultats, versez exactement 10 oz (300 ml) d'eau sur le fond du four.
- (Four à vapeur) Fonctionne avec la fonction vapeur. Ajoutez 33,8 oz (1 000 ml) d'eau dans le réservoir.
- Vous ne pouvez pas lancer GreenClean^{MC} si le verrouillage des commandes est activé ou tant que le four n'est pas refroidi.
- Les portes du four se verrouillent automatiquement. L'affichage indique le temps de nettoyage restant. Vous ne pouvez pas ouvrir les portes du four ni régler le four pour la cuisson tant que le four n'a pas refroidi.
- GreenClean^{MC} peut s'utiliser dans un seul four à la fois. Si le mode GreenClean^{MC} est activé dans un four, vous ne pouvez pas utiliser l'autre four pour cuisiner.

Après un cycle GreenClean^{MC}

- Mettez-vous à l'écart et ouvrez soigneusement la porte du four pour laisser l'air chaud s'échapper en toute sécurité; l'eau résiduelle sur le fond du four est suffisamment chaude pour brûler.
- Essuyez immédiatement l'eau résiduelle à l'aide d'une éponge.
- À l'aide d'une éponge imbibée de détergent ou d'une brosse douce, essuyez l'intérieur du four. Enlevez les résidus tenaces avec une lavette en nylon et le calcaire avec un chiffon imbibé de vinaigre.
- Si la saleté persiste, vous pouvez répéter l'opération une fois le four refroidi.
- Après avoir nettoyé l'intérieur du four et laissé sécher, laissez la porte du four entrebâillée pour permettre à la surface émaillée de sécher complètement.

Détartrage (four à vapeur)

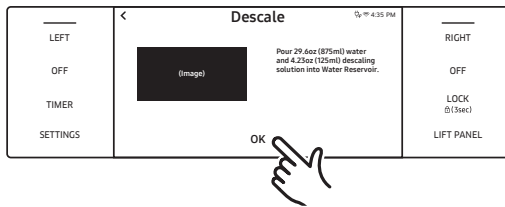
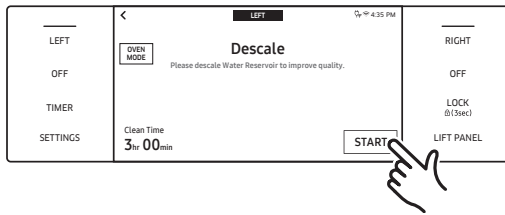
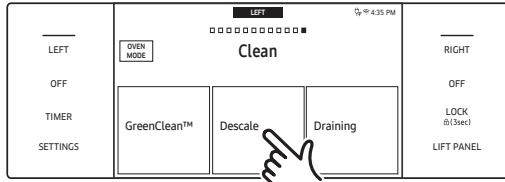
Si vous utilisez les fonctions vapeur, vous devez détartrer régulièrement pour éliminer les minéraux du four qui pourraient affecter le goût ou la qualité de votre cuisson. Pour un cycle de détartrage, utilisez uniquement des détartrants spécifiques aux fours à vapeur ou aux machines à café.

REMARQUE

Si vous utilisez les fonctions vapeur pendant une période déterminée, le témoin de détartrage s'allume. Vous pouvez utiliser les fonctions vapeur pendant quelques heures sans détartrage; toutefois, lorsque ces heures sont épuisées, toutes les fonctions vapeur sont désactivées jusqu'à ce que vous lanciez un cycle de détartrage.

DOP48C96D**	Heure de fonctionnement		
TITRE HYDROTIMÉTRIQUE	Alerte préalable	Alerte de nettoyage	
Doux	39	42	(+3)
Moyen	30	33	(+3)
Dur	23	26	(+3)

Utilisation du four de base

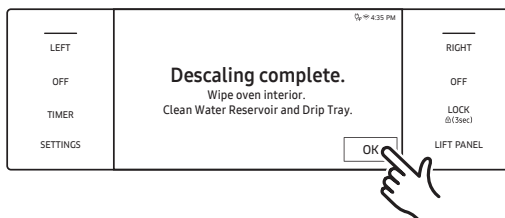
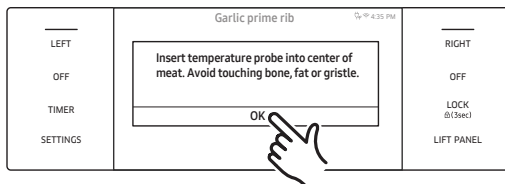
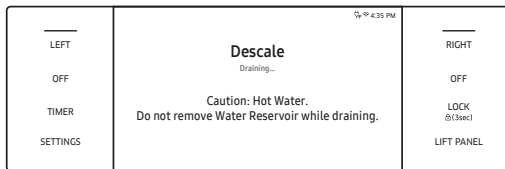


1. Balayez l'écran vers Clean (Nettoyage).
2. Appuyez sur **Descale** (Détartrage).

3. Appuyez sur **START** (DÉMARRER).

4. Suivez les instructions à l'écran. Le cycle dure 3 heures. Videz et nettoyez le réservoir, puis versez-y de l'eau et du produit détartrant. (Voir le tableau pour obtenir les quantités.)

Quantité requise	Eau		Solution détartrante		Eau de rinçage	
	oz.	mL	oz.	mL	oz.	mL
Four à vapeur de 48 po	29,6	875	4,2	125	50,7	1500



5. Une fois le détartrage terminé, l'eau est vidée automatiquement.
6. Utilisez des gants de cuisine pour retirer et vider le réservoir d'eau, puis remplissez-le d'eau du robinet pour le rinçage en vous référant au tableau ci-dessus.
7. Suivez les instructions affichées à l'écran, puis appuyez sur **OK** pour lancer le rinçage.
8. Une fois le rinçage effectué, utilisez les gants de four pour vider et nettoyer le réservoir d'eau.

⚠ ATTENTION

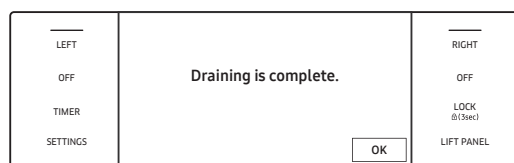
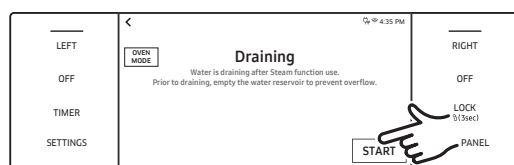
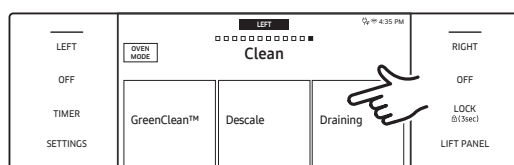
- Pendant le détartrage, les fonctions vapeur sont désactivées. Si vous annulez le détartrage, vous devez redémarrer et terminer le cycle dans un délai de 3 heures avant d'activer les fonctions vapeur.
- Pour éviter les accidents, tenez les enfants à l'écart du four.
- Pour connaître le bon rapport eau/détartrant, suivez les instructions du fabricant. Si le rapport n'est pas de 8 pour 1, utilisez le rapport du détartrant.

📖 REMARQUE

Bien que le four lance automatiquement le détartrage en 5 secondes sans confirmation de votre part, vous devez confirmer votre sélection pour éviter que le détartrage ne démarre par erreur.

Vidange(Four à vapeur)

Lorsqu'une fonction vapeur est terminée, vous devez évacuer l'eau restante pour éviter que l'eau n'affecte les autres modes de cuisson. Pour vidanger l'eau, suivez les étapes suivantes :



1. Passez à l'écran Nettoyer, puis appuyez sur **Drainage**.
2. Appuyez sur **START (DÉMARRER)**. Le four vidange l'eau du générateur de vapeur du réservoir.
3. Une fois la vidange effectuée, utilisez les gants de cuisine pour retirer et vider le réservoir.

Utilisation du four de base

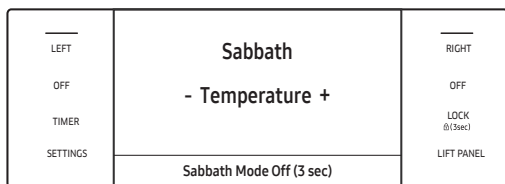
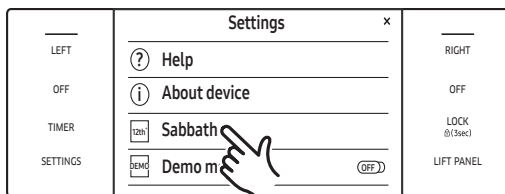
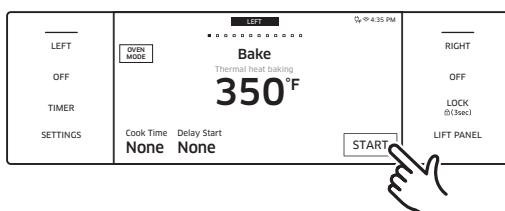
Utilisation de la fonction Sabbath

(Pour une utilisation pendant le sabbat et les fêtes juives)



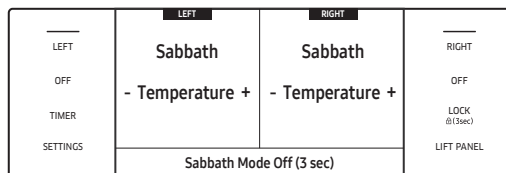
Pour obtenir une assistance supplémentaire, des directives sur l'utilisation correcte et une liste complète des modèles dotés de la fonction Sabbath, visitez le site <http://www.star-k.org>.

Vous pouvez utiliser la fonction Sabbath pour la cuisson uniquement. Vous pouvez régler la température du four après avoir réglé la fonction Sabbath. (Utilisez le réglage de température du four uniquement pendant les fêtes juives.) Toutefois, l'affichage ne change pas et aucune tonalité ne retentit lorsqu'un changement se produit. Une fois que la fonction Sabbath est active et que le four est correctement réglé, le four reste allumé jusqu'à ce que la fonction Sabbath soit annulée. Cette fonction annule la fonction d'économie d'énergie de 12 heures pré-réglée en usine. Pour utiliser l'éclairage du four pendant le Sabbath, touchez **LIGHT** (ÉCLAIRAGE) avant d'activer la fonction Sabbath. Une fois l'éclairage du four allumé et la fonction Sabbath activée, l'éclairage intérieur du four reste allumé jusqu'à ce que la fonction Sabbath soit désactivée. Si vous ne comptez pas utiliser l'éclairage du four, éteignez-le avant d'activer la fonction Sabbath.

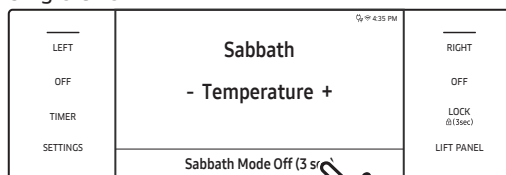


1. Balayez l'écran vers le mode Cuisson.
2. Réglez la température et le temps de cuisson selon votre convenance.
3. Appuyez sur **START** (DÉMARRER).
4. Appuyez sur **SETTINGS** > **Sabbath** (RÉGLAGES > Sabbath), puis sur **Sabbath** pour activer le mode Sabbath. (Le four n'émettra pas de signal sonore ni ne montrera une quelconque modification; vous pouvez modifier la température du four qu'après le début de la cuisson.)

Double Oven



Single Oven



5. Pour désactiver le mode Sabbat, appuyez sur la touche **Sabbath Mode Off(3 sec)** pendant 3 secondes.
6. Arrêtez le four à tout moment en appuyant sur **OFF (ARRÊT)**. (Cela n'annule pas le mode Sabbat).

 **REMARQUE**

- Après avoir modifié la température du four lorsque l'appareil est en mode Sabbat, un délai de 15 secondes s'écoule avant que l'appareil ne reconnaisse la modification.
- Vous pouvez régler la fonction Cook Time (Temps de cuisson) avant d'activer le mode Sabbat.
- En cas de panne de courant ou d'interruption de l'alimentation, le four s'éteint. Lorsque le courant est rétabli, Sabbat s'affiche sur l'écran de commande, mais le four est désactivé. Les aliments peuvent être retirés du four, cependant le four ne peut être mis en marche qu'après les fêtes juives,

 **ATTENTION**

Pour permettre au four d'atteindre la température de consigne, n'ouvrez pas la porte du four et ne modifiez pas la température du four pendant environ 30 minutes après le démarrage du mode Sabbat.

Utilisation du four de base

Utilisation des fonctions spéciales

Il existe quatre options de cuisson spécialisées.

Mode	Plage de température	Four de base de la cuisinière Pro 48 po
Keep Warm (Maintien au chaud)	Aucun	0
Proof (Étuvage)	95 °F (35 °C) / 105 °F (40 °C)	0
Stone Bake Mode (Mode cuisson à la pierre)	175 °F (80 °C) - 550 °F (285 °C)	0
Dehydrate (Déshydratation)	105 °F (40 °C) - 225 °F (105 °C)	0

** Non réglable. Une température définie en usine est appliquée pour obtenir les meilleures performances.

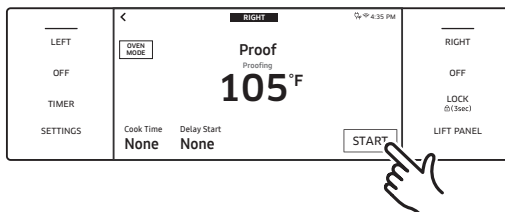
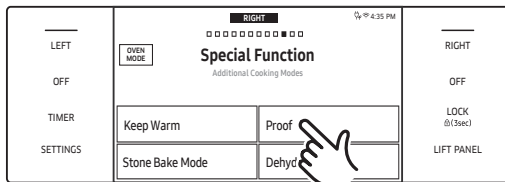
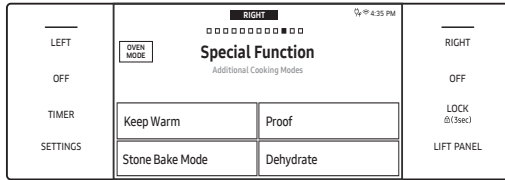
Mode	Instruction
Keep Warm (Maintien au chaud)	<ul style="list-style-type: none">• Permet de conserver les aliments cuits au chaud pour les servir jusqu'à 3 heures après la fin de la cuisson.• Utilisez ce mode seul, ou réglez-le pour qu'il s'active après une cuisson minutée ou différée.• Ce mode ne permet pas de réchauffer les aliments, la température de 175 °F n'est pas réglable.
Proof (Étuvage)	<ul style="list-style-type: none">• Offre une température optimale pour la fermentation de la pâte :<ul style="list-style-type: none">- 48 po produit four gauche : 85 °F / 95 °F;- Aliment dans le four droit de 48 po : 95 °F / 105 °F;• Pour un résultat optimal, démarrez le mode Étuvage dans un four froid.
Stone Bake Mode (Mode cuisson à la pierre)	<ul style="list-style-type: none">• Accessoire pour pierre requis.• Faites cuire sur une pierre à pâtisserie ou à pizza pour la pizza et le pain.• Pour un résultat optimal, préchauffez à l'aide d'une pierre.

Dehydrate (Déshydratation)

- Permet d'éliminer l'humidité des aliments par circulation de chaleur.
- Conservez les aliments déshydratés dans un endroit frais et sec.
- Ajoutez du jus de citron ou d'ananas, ou saupoudrez les fruits de sucre pour qu'ils restent sucrés.
- Voir le tableau ci-dessous pour les paramètres de déshydratation.

Catégorie	Niveau de grille	Température (°F)
Légumes ou fruits	3 ou 4	105 à 150
Viande	3 ou 4	145 à 225

Utilisation du four de base



1. Passez à l'écran Fonction spéciale et appuyez sur une option de cuisson.

2. Réglez la température, puis appuyez sur **START (DÉMARRER)**.

ATTENTION

- Si la température du four est supérieure à 125 °F, le mode Étuvage ne peut pas fonctionner correctement.
- N'utilisez pas le mode Étuvage pour chauffer les aliments. La température d'étuvage ne peut pas garder les aliments au chaud.
- Placez la pâte dans un bol résistant à la chaleur au niveau 3 ou 4 de la grille, et couvrez-la d'un tissu ou d'un film plastique. (Ancrez le film plastique sous le bol pour que le ventilateur du four ne l'emporte pas.)
- Pour éviter de baisser la température du four et prolonger l'étuvage, laissez la porte du four fermée.

REMARQUE

- Le préchauffage n'est pas nécessaire pour les fonctions spéciales, sauf pour Stone Bake Mode (Mode cuisson à la pierre).
- Un avertisseur sonore d'erreur retentit si la température est réglée en dehors de la plage.

Tableau des positions des grilles pour les options de cuisson spéciales

Mode	Position de la grille
Keep Warm (Maintien au chaud)	5
Proof (Étuvage)	3
Stone Bake Mode (Mode cuisson à la pierre)	1 ou 2
Dehydrate (Déshydratation)	3 ou 4

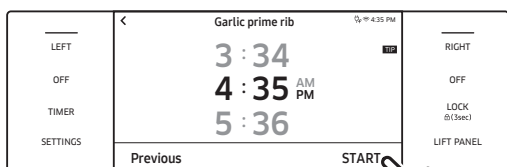
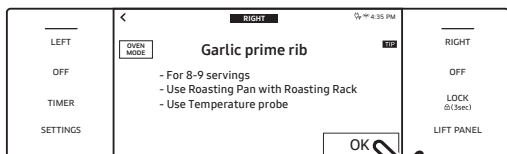
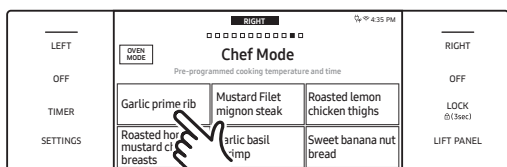
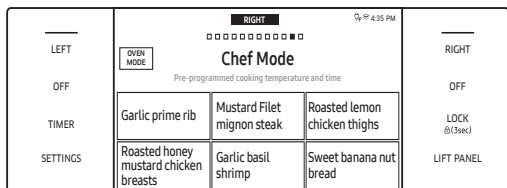
Caractéristiques générales :

- Réglages basiques
- Utilisation de la sonde de température
- Réglage du mode
- Réglage de la température
- Minuterie de cuisine
- Départ différé
- Utilisation de la fonction de nettoyage
- Utilisation de la fonction Sabbath
- Utilisation de la fonction Commande intelligente
- Pour démarrer le four à distance
- Verrouillage de la commande
- Réglages

Utilisation du four de base

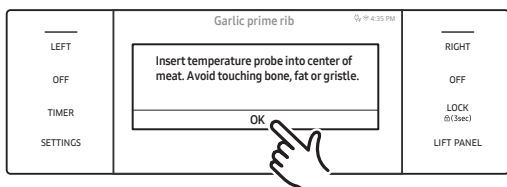
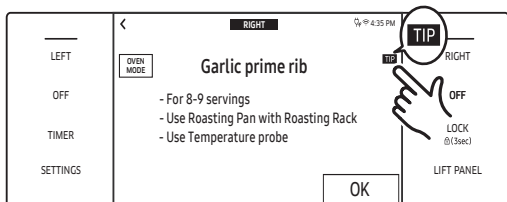
Utilisation de Chef Mode (Cuisson gourmet)

Quinze plats en Chef Mode (Cuisson gourmet) simplifient la cuisine pour les utilisateurs novices, ce qui permet de gagner en temps ou de raccourcir la courbe d'apprentissage. Le temps et la température de cuisson sont ajustés en fonction de la recette sélectionnée. Vous pouvez télécharger les recettes détaillées pour chaque fonction sur le site Web de Dacor.



1. Passez à l'écran Chef Mode (Cuisson gourmet).
2. Faites défiler et appuyez sur un plat du mode Cuisson gourmet.
3. Suivez les instructions à l'écran.
4. Appuyez sur **START** (DÉMARRER) pour lancer la cuisson.

Conseils de cuisson dans le mode Chef Mode (Cuisson gourmet)



1. Appuyez sur **TIP** (CONSEIL) à l'écran.
2. Les conseils s'affichent avec les informations pertinentes pour la tâche de cuisson. Lorsque vous avez terminé, appuyez sur **OK**.

Utilisation de la commande intelligente

Pour utiliser cette fonction, téléchargez l'application SmartThings sur un appareil mobile. Les fonctions actionnées via SmartThings peuvent ne pas fonctionner si les conditions de communication sont mauvaises ou si le signal Wi-Fi est faible à l'emplacement du four. Reportez-vous au tableau pour obtenir les principales fonctions qui peuvent être actionnées à partir de l'appli.

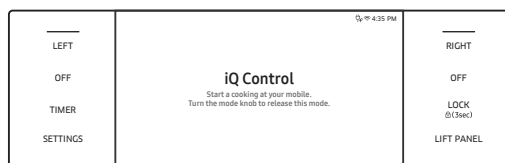
Lorsque la fonction Commande intelligente du four est désactivée	Surveillance (four, sonde), four éteint.
Lorsque la fonction Commande intelligente du four est activée.	Surveillance (four, sonde), four allumé, four éteint, vérification des erreurs

Connexion du four

1. Téléchargez et ouvrez l'application Samsung SmartThings sur votre appareil intelligent.
2. Suivez les instructions de l'application pour connecter votre four.

L'icône connectée apparaît sur l'écran du four et l'app confirme la connexion. Si l'icône de connexion n'apparaît pas, suivez les instructions de l'application pour vous connecter.

Démarrage du four à distance



Appuyez sur **SETTINGS > Connexions > iQ Control > ON (RÉGLAGES > Connexions > Commande intelligente > MARCHE)** (pour le four approprié).

Lorsque la commande intelligente est activée, vous pouvez **allumer/éteindre** le four à distance et modifier les paramètres du four avec votre appareil mobile.

REMARQUE

- Le mode Auto-nettoyage ne peut être démarré à distance.
- L'ouverture de la porte du four désactive la fonction Commande intelligente et par ricochet le fonctionnement à distance.
- Même si la Commande intelligente est désactivée, vous pouvez surveiller l'état du four et l'éteindre.
- Une fois la cuisson terminée ou annulée, la fonction Commande intelligente se désactive.

Utilisation du four de base

Utilisation du verrouillage de la commande

Ce mode vous permet de désactiver les fonctions du pavé tactile. En outre, les portes du four se verrouillent automatiquement. Le verrouillage de la commande doit être activé lorsque le four est en mode veille.

Activation du verrouillage des commandes



1. Annulez ou désactivez toutes les fonctions.
2. Appuyez et maintenez la touche **LOCK (VERROUILLAGE)** pendant 3 secondes.

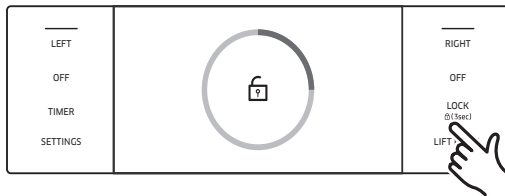


3. L'écran de verrouillage de la commande s'affiche.

REMARQUE

Le verrouillage de la commande est uniquement disponible lorsque la température du four est inférieure à 400 °F.

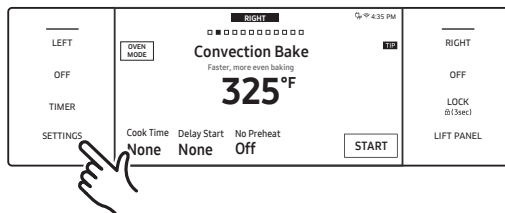
Désactivation du verrouillage de la commande



Appuyez et maintenez la touche **LOCK (VERROUILLAGE)** pendant 3 secondes. La confirmation du verrouillage des commandes et l'icône de verrouillage disparaissent.

Utilisation des réglages

Modifiez les réglages par défaut selon votre convenance ou diagnostiquez les problèmes de connexions réseau.



Appuyez sur **SETTINGS (RÉGLAGES)** pour afficher l'écran des réglages.

Wi-Fi

Pour activer une connexion Wi-Fi :

1. Appuyez sur **SETTINGS > Connections > Wi-Fi (RÉGLAGES > Connexions > Wi-Fi)** puis appuyez sur **ON (MARCHE)** dans l'écran de droite.
(Pour désactiver le Wi-Fi, procédez de la même manière, puis appuyez sur **OFF (ARRÊT)**.)
2. Appuyez sur **Wi-Fi**, puis sur un réseau dans la liste qui s'affiche.
3. Saisissez un mot de passe lorsque vous serez invité à le faire.

Pour saisir manuellement une adresse IP :

1. Appuyez sur **SETTINGS** > **Connections** > **Wi-Fi** (RÉGLAGES > Connexions > Wi-Fi), puis appuyez sur **ON** (ACTIVER) dans l'écran de droite.
2. Appuyez sur **Wi-Fi** > **Add Network** (Wi-Fi > Ajouter un réseau).
3. Saisissez une IP manuellement, puis appuyez sur **CONNECT** pour appliquer vos réglages.

REMARQUE

Pour en savoir plus sur les caractéristiques ci-dessus, consultez le manuel d'utilisation de Samsung SmartThings.

Affichage

1. Luminosité
Vous pouvez modifier la luminosité de l'écran d'affichage.
 - Appuyez sur **SETTINGS** > **Display** > **Brightness** (RÉGLAGES > Affichage > Luminosité), puis utilisez la barre adjacente pour régler la luminosité de l'écran.
2. Économiseur d'écran
Si l'économiseur d'écran est éteint, le thème de l'horloge et le menu du délai d'attente sont désactivés.
 - Appuyez sur **SETTINGS** > **Display** > **Screen saver** (RÉGLAGES > Affichage > Économiseur d'écran), puis appuyez sur **OFF** (ARRÊT) sur l'écran de droite.
3. Thème de l'horloge
 - Appuyez sur **SETTINGS** > **Display** > **Clock theme** (RÉGLAGES > Affichage > Thème de l'horloge), puis appuyez sur l'écran de droite, et sélectionnez un thème.
4. Réglage de l'affichage de l'horloge pour qu'elle soit toujours active
 - Allez dans **Menu**
 - Sélectionnez **RÉGLAGES** > **Affichage** > **Délai d'attente** > **Toujours activé**
 - Lorsque vous réglez l'horloge de l'écran, l'heure initiale affiche le thème de prévention Burn-IN (brûlage).
 - Horloge analogique : **Centre** > **Gauche** > **Droite** (répétition du mouvement)
 - Horloge numérique : **Haut** > **Bas** (répétition du mouvement)

Température

1. Unité de température
Vous pouvez programmer la commande du four pour qu'elle affiche la température en Fahrenheit ou en Celsius. Le four a été pré-réglé en usine pour afficher en Fahrenheit.
 - Appuyez sur **SETTINGS** > **Temp** > **Temp unit** (RÉGLAGES > Température > Unité de température), puis appuyez sur l'écran de droite et sélectionnez °C ou °F.
2. Réglage de la température
La température du four est réglée en usine. Lors de la première utilisation du four, respectez les durées et les températures des recettes. Si le four cuit trop chaud/froid, vous pouvez recalibrer la température du four. Avant de le faire, testez une recette en utilisant une température plus élevée ou plus basse que celle indiquée dans la recette. Les résultats vous aideront à décider du degré d'ajustement. (La Température du four peut être réglée à ±35 °F (±19 °C). Ce réglage n'affecte en rien les températures de cuisson gril ou d'auto-nettoyage. Le réglage sera conservé après une coupure de courant.
 - Appuyez sur **SETTINGS** > **Temp** > **Temperature Adjust** (RÉGLAGES > Température > Réglage de la température), puis appuyez sur dans l'écran de droite, et réglez la température.
 - La température peut être augmentée ou baissée jusqu'à 35 °F (19 °C).

Utilisation du four de base

Volume

Réglez le niveau de volume des signaux sonores et des sonneries.

- Appuyez sur **SETTINGS > Volume** (RÉGLAGES > Volume), puis utilisez la barre adjacente pour régler le volume.

Éclairage

La cuisinière professionnelle de Dacor possède deux caractéristiques d'éclairage distinctives : L'« Éclairage de la douche » éclaire les boutons depuis le haut; l'« Éclairage d'accueil » est un tableau qui apparaît lorsque vous soulevez le panneau LCD.

- Pour régler l'éclairage de la douche, appuyez sur **SETTINGS > Lightings** (RÉGLAGES > Éclairage), puis sélectionnez **On** (Activé), **Automatic** (Automatique), ou **Off** (Désactivé).
- Pour régler l'éclairage de l'accueil, appuyez sur **SETTINGS > Lightings** (RÉGLAGES > Éclairage), puis sélectionnez **On** (Activé) ou **Off** (Désactivé).

Économie d'énergie de 12 heures

Cette fonction éteint le four après 12 heures de cuisson ou 3 heures de gril.

1. Appuyez sur **SETTINGS > 12 hour energy saving** (RÉGLAGES > Économie d'énergie sur 12 heures), puis appuyez sur **ON** (MARCHE) sur l'écran de droite.
2. L'icône d'économie d'énergie de 12 heures s'affiche dans la zone indicatrice.

Dureté de l'eau

Réglez le titre hydrotimétrique du four à vapeur. (Plus l'eau devient solide, plus vous devez détartre.)

- Appuyez sur **SETTINGS > Water hardness** (RÉGLAGES > Dureté de l'eau), puis sélectionnez **Soft** (Doux), **Medium** (Moyen), ou **Hard** (Dur).

Commande intelligente

Pour démarrer le four à distance.

- Appuyez sur **SETTINGS > Connections > iQ Control** (RÉGLAGES > Connexions > Commande intelligente), puis appuyez sur **ON** (MARCHE) sur le four approprié. (Voir **Utilisation de la commande intelligente**, Page 67)

Connexion aisée

Configurez facilement les connexions au réseau, y compris la procédure d'authentification.

- Appuyez sur **SETTINGS > Connections > Easy connection** (RÉGLAGES > Connexion > Connexion aisée), puis appuyez sur **CONNECT** (CONNECTER).

Connectivité de la hotte

En vous connectant à la hotte, celle-ci se met en **marche/arrêt** automatiquement lorsque vous utilisez la table de cuisson.

1. Appuyez sur **SETTINGS > Connections > Hood connectivity** (RÉGLAGES > Connexion > Connectivité de la hotte).
2. Activez le Bluetooth de la hotte.
3. Appuyez sur **CONNECT** (CONNECTER) sur l'écran LCD pour vous connecter à la hotte.

Modèle de la cuisinière doté de la fonction de contrôle de la hotte	Modèle de la hotte
DOP48C96D**	DHD30M967W, DHD36M967I, DHD36M987W, DHD48M967I, DHD48M987W

Aide

La rubrique Aide donne des conseils utiles et des explications sur un élément spécifique sélectionné.

- Dépannage
 - Appuyez sur un point de contrôle directement sur l'écran, et essayez les suggestions.
- Guide de la première utilisation
 - Fournit des instructions simples sur l'utilisation de base du four.

À propos de l'appareil

Vous pouvez consulter des informations sur le four et effectuer une mise à jour du logiciel. Pour mettre à jour le logiciel :

- Toque **SETTINGS** > **About device** > **Software update** (CONFIGURACIÓN > Acerca del dispositivo > Actualización del Software) y, luego, toque **Update** (Actualizar) en la pantalla derecha.
- Appuyez sur **INSTALL** (INSTALLER). Les logiciels sont mis à jour et le système redémarre automatiquement.

Sabbat

Vous pouvez régler le mode Sabbat. Voir Utilisation de la fonction Sabbat, Page 60.

Mode Démo

Ce mode est utilisé uniquement pour l'affichage détaillé. (L'élément chauffant ne fonctionne pas.)

- Appuyez sur **SETTINGS** > **Demo mode** (RÉGLAGES > Mode démo), puis appuyez sur **ON** (MARCHE) dans l'écran de droite.
- Le témoin du mode Démo s'affiche à l'écran.

Gestion à distance

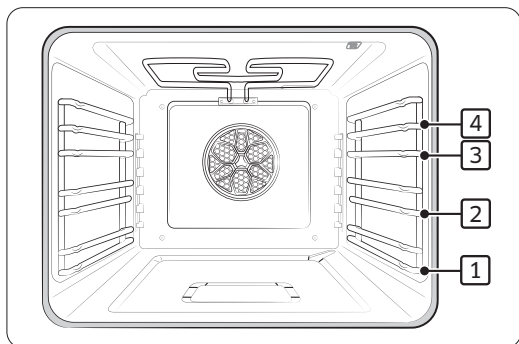
Le centre d'appel accèdera à votre appareil à distance pour inspecter l'intérieur lorsque vous aurez quelques soucis.

- Appuyez sur **SETTINGS** > **Connections** > **Remote management** (RÉGLAGES > Connexions > Gestion à distance), puis appuyez sur **ACTIVATE** (ACTIVER).

Utilisation du four à vapeur

Utilisation des grilles du four

Four gauche



Niveaux de grille pour certaines tâches de cuisson (pour référence uniquement)

Type d'aliments	Niveau
Griller des hamburgers	4
Griller les viandes ou les petits morceaux de volaille, le poisson	3 à 4
Gâteaux Bundt, gâteaux quatre-quarts, tartes congelées, gâteaux d'ange, casseroles, petits rôtis	1 à 2
Gros rôtis, jambon, pizza fraîche	1

Chaque grille est munie de butées qui doivent être placées correctement sur les supports. Ces butées empêchent la grille de sortir complètement.

1. Tirez la grille tout droit jusqu'à ce qu'elle s'arrête, puis inclinez-la vers le haut pour libérer le loquet et éloignez la grille du four.
2. Placez l'extrémité de la grille sur le support, inclinez-la vers le haut pour engager le loquet et poussez la grille vers l'intérieur.

⚠ ATTENTION

- Ne recouvrez aucune partie du four de feuille d'aluminium. Si vous le faites, vous risquez de compromettre les résultats de cuisson et d'endommager le four.
- Ajustez les grilles uniquement lorsque le four est froid.

À propos des fonctions du four

Four	Caractéristiques du four
Four de base	Cuisson, Cuisson par Convection, Rôtissage par Convection, Gril, Cuisson par convection pure, Gril par Convection, Convection pure double à quatre parties, Fonction spéciale, Mode Cuisson gourmet, Nettoyage.
Four à vapeur	Cuisson, Cuisson par Convection, Rôtissage par Convection, Gril, Gril par Convection, Convection pure à 4 parties, Cuisson à la vapeur, Rôtissage à la vapeur, Vapeur, Fonction spéciale, Cuisson spéciale à la vapeur, Nettoyage.

Appuyez sur GAUCHE, faites glisser pour sélectionner un mode de cuisson, et réglez une température. (Conférez **Setting the Temperature (Réglage de la température)**, page 46 and **Basic Baking and Broiling Instructions (Instructions relatives à la cuisson et au grillade)**, page 77)

Mode	Plage de température	Modèle de 48 po		Sonde de température	Instant-Heat ^{MC}
		Left (Gauche)	Right (Droite)		
Bake (Cuisson Traditionnelle)	175 °F (80 °C) - 450 °F (230 °C)	0	0	0	-
Convection Bake/Roast (Cuisson/Rôtissage par Convection)	175 °F (80 °C) - 450 °F (230 °C)	0	0	0	-
Grillade	Bas / Élevé	0	0	-	-
Cuisson par convection pure	175 °F (80 °C) - 475 °F (245 °C)	-	0	0	-
Grillade par convection	175 °F (80 °C) - 450 °F (230 °C)	0	0	-	-
Convection Bake/Roast (Cuisson/Rôtissage vapeur)	230 °F (110 °C) - 450 °F (230 °C)	0	-	0	-
4-Part Pure Convection (Convection pure en 4 parties)	175 °F (80 °C) - 450 °F (230 °C)	0	0	0	-
Steam (Vapeur)	215 °F (100 °C)	0	-	0	-

Mode de cuisson avec la fonction vapeur

Sur l'écran, appuyez sur GAUCHE, puis sélectionnez Cuisson vapeur ou Cuisson vapeur spéciale. Les températures de cuisson à la vapeur et à la vapeur fine (respectivement 215 °F/100 °C et 195 °F/90 °C) ne sont pas réglables. Pour la cuisson vapeur guidée et le réchauffage vapeur, suivez les instructions affichées. Veillez à remplir le réservoir d'eau. (Voir le Guide de recommandations pour la cuisson et le rôtissage à la vapeur, sur cette page.)

Mode	Instruction
Steam (Vapeur)	Méthode de cuisson douce utilisant la vapeur; légumes, fruits de mer, céréales, œufs et accompagnements cuits à la vapeur; convient à tous les types d'aliments, à la mise en bouteille, à la préparation de jus, au réchauffage.
Cuisson spéciale vapeur	Est composée de : Vapeur fine, cuisson vapeur guidée, réchauffage vapeur.
Vapeur fine	Une méthode de cuisson très douce convenant aux fruits de mer et au blanc de poulet, les aliments seront plus tendres et plus doux.
Cuisson à la vapeur guidée	20 plats préprogrammés sont disponibles dans 5 catégories : volaille et viande, poisson, légumes, œufs et céréales; le temps et la température de cuisson sont définies en fonction du menu sélectionné.
Réchauffage vapeur	Chauffez à la vapeur, puis utilisez la convection ou la cuisson vapeur pour terminer, le temps et la température de cuisson sont réglés selon le menu sélectionné, 10 plats préprogrammés sont disponibles.

Utilisation du four à vapeur

Steam Bake / Steam Roast Recommendation Guide (Guide de recommandation en matière de cuisson vapeur / rôtissage vapeur)

Mode de cuisson	Niveau	Aliments
Cuisson vapeur	Élevée	Pains de seigle, desserts (flan au caramel)
	Moyenne	Croissants, tartes, plats réchauffés (pizzas, plats en cocotte)
	Faible	Pâtisseries
Rôtissage vapeur	Élevée	-
	Moyenne	Viandes, volaille
	Faible	Dinde, gros morceaux de viande

Temps de cuisson recommandé pour le mode vapeur

1. Légumes

Mettez les légumes dans le plateau perforé au niveau 2 de la grille et le plateau non perforé au niveau 1 pour récupérer les égouttures.

Aliment	Taille	Temps de cuisson
Artichauts, betteraves rouges	Entier	30 à 35 min
Brocoli, chou-fleur	Fleurons	10 à 15 min
Chou	Râpé	25 à 35 min
Pommes de terre (non pelées)	Moyen	30 à 40 min
Pommes de terre (pelées)	En quartiers	20 à 25 min
Pois	-	5 à 10 min
Haricots verts	-	15 à 20 min
Carottes	Découpées	10 à 20 min
Chou-rave	En tranches	15 à 20 min
Poireaux	En tranches	4 à 6 min
Asperges vertes	Entier	8 à 10 min
Asperges blanches	Entier	10 à 15 min
Épinard	-	4 à 6 min
Choux de Bruxelles	Entier	20 à 25 min
Courgettes	En tranches	2 à 3 min

2. Viande, volaille et poisson

Mettez les aliments dans le plateau perforé au niveau 2 de la grille et le plateau non perforé au niveau 1 de la grille pour récupérer les égouttures.

Aliment	Taille	Temps de cuisson
Côtelette de porc	Découpées	15 à 25 min
Saucisse	Entier	12 à 15 min
Poitrine de poulet	25 lbs	20 à 25 min
Filets de poisson	25 lbs	12 à 15 min
Poisson entier	1 lb	20 à 25 min
Crustacé	-	10 à 15 min
Crevette	-	8 à 10 min

Tip (Conseils) : La cuisson à la vapeur fine est idéale pour tous les fruits de mer et les poitrines de poulet, et permet d'obtenir des résultats moelleux et tendres; le mode de cuisson est le même que pour la cuisson vapeur, mais le temps de cuisson est un peu plus long.

Utilisation du four à vapeur

3. Céréales et accompagnements

Ajoutez de l'eau comme la recette l'exige.

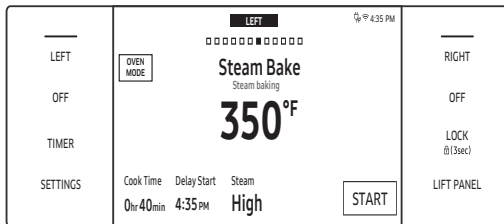
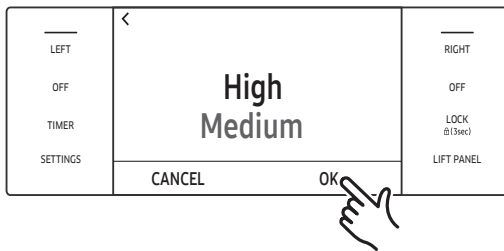
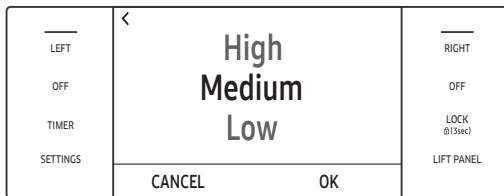
Aliment	Taille	Accessoires	Mode de cuisson	Temps de cuisson
Riz long grain	1 : 2	Plateau vapeur non perforé	Cuisson vapeur	20 à 30 min
Riz brun	1 : 2	Plateau vapeur non perforé	Cuisson vapeur	30 à 40 min
Riz basmati	1 : 1,5	Plateau vapeur non perforé	Cuisson vapeur	20 à 30 min
Riz étuvé	1 : 1,5	Plateau vapeur non perforé	Cuisson vapeur	10 à 20 min
Couscous	1 : 1	Plateau vapeur non perforé	Cuisson vapeur	5 à 10 min
Légumineuses	1 : 2	Plateau vapeur non perforé	Cuisson vapeur	35 à 45 min
Boulettes	-	Perforé et non perforé	Cuisson vapeur	20 à 25 min
Œufs (à la coque)	Gros	Plateau vapeur perforé	Cuisson vapeur	10 à 13 min
Œufs (cuits durs)	Gros	Plateau vapeur perforé	Cuisson vapeur	14 à 18 min

4. Dessert, Compotes

Les compotes utilisent des poires, des baies, des cerises, des pommes, des prunes ou de la rhubarbe. Pesez les fruits, ajoutez 1/3 de tasse d'eau, et ajoutez le sucre et les épices selon votre goût.

Aliment	Taille	Accessoires	Mode de cuisson	Temps de cuisson
Boulettes de levure	-	Plateau vapeur perforé	Cuisson vapeur	20 à 25 min
Riz au lait	-	Plateau vapeur perforé	Cuisson vapeur	25 à 35 min
Yogourt	-	Plateau vapeur perforé	Étuvage à 95 °F	5 à 6 heures
Compote de fruits*		Plateau vapeur perforé	Cuisson vapeur	10 à 20 min

Instructions de base en matière de cuisson et de grillage



Steam Bake (Cuisson vapeur) / Steam Roast (Rôtissage vapeur)

- Si vous sélectionnez l'un ou l'autre de ces modes, les informations sur le niveau de vapeur s'affichent à l'écran (valeur par défaut : Moyen).
 - Touchez la zone de vapeur pour afficher l'écran de réglage du niveau de vapeur. Réglez le niveau sur Faible, Moyen ou Élevé.
 - Appuyez sur **OK**. Le réglage du niveau de vapeur s'affiche.
- Le nouveau niveau de vapeur s'affiche sur l'écran principal. Important : Remplissez le réservoir d'eau avant la cuisson. (Voir **Using the Water reservoir** [Utilisation du réservoir d'eau], à la page 9)
 - Si vous utilisez le mode Cook Time (Temps De Cuisson) ou Delay Start (Départ Différé), réglez-le maintenant (voir les pages 51, 52 pour les instructions), puis appuyez sur **DÉMARRER**.

Utilisation du four à vapeur



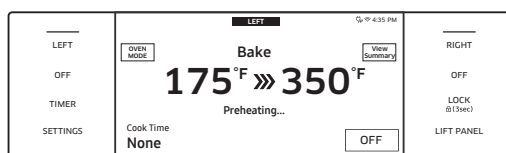
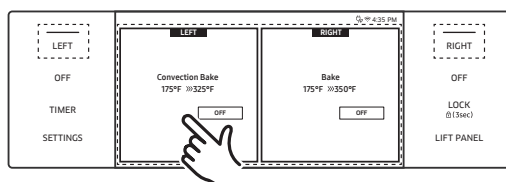
- Appuyez sur **OFF (ARRÊT)** une fois la cuisson terminée ou pour annuler la cuisson.

Guide de recommandation en matière de grillade

La taille, le poids, l'épaisseur, la température de départ et vos préférences en matière de cuisson déterminent le temps nécessaire à la cuisson au gril. Ce guide est basé sur des viandes à la température du réfrigérateur. Utilisez toujours une lèchefrite et sa grille pour la cuisson au gril. Préchauffez toujours le four pendant 5 minutes avant de le faire griller.

Aliment	Cuisson	Taille	Épaisseur	Niveau	Position de la grille	Temps de cuisson (minutes)	
						1 ^{er} côté	2 ^e côté
Hamburgers	Moyen	6 galettes	¾ po	Élevé	4	4 h 00 - 5 h 00	3 h 00 - 4 h 00
Steaks de bœuf	Saignant	-	1 po	Élevé	4	5 h 00 - 6 h 00	4 h 00 - 5 h 00
	Moyen	-	1 à 1½ po	Élevé	4	6 h 00 - 7 h 00	5 h 00 - 6 h 00
Morceaux de poulet	Bien cuit	2 lbs	½ à ¾ po	Faible	3	18 h 00 - 20 h 00	15 h 00 - 16 h 00
Côtelettes de porc	Bien cuit	1 lbs	1 po	Faible	3	10 h 00 - 12 h 00	8 h 00 - 10 h 00
Filets de poisson	Bien cuit	-	¼ à ½"	Faible	3	8 h 00 - 9 h 00	5 h 00 - 6 h 00

Réglage de la température du four pendant la cuisson



Pour utiliser les fours en mode unique, appuyez sur la zone GAUCHE ou DROITE de l'écran, puis sur la zone de température, et utilisez le pavé numérique pour saisir une nouvelle température.

⚠ ATTENTION

Lorsque vous ouvrez/fermez la porte, tenez-vous à l'écart pour laisser l'air chaud ou la vapeur s'échapper en toute sécurité avant de retirer des aliments du four ou de les y introduire.

⚠ ATTENTION

Le préchauffage est important pour obtenir de bons résultats lors de la cuisson de gâteaux, de biscuits aux pépites de chocolat, de pâtisseries et de pains. Une fois la température de consigne atteinte, le four émet un signal sonore 6 fois.

- Le ventilateur du four à convection s'arrête lorsque la porte du four est ouverte.
- Le fait de laisser la porte ouverte pendant la cuisson par convection peut réduire la durée de vie de l'élément chauffant par convection.

📖 REMARQUE

- Si la porte reste ouverte plus de 2 minutes pendant la cuisson, tous les éléments chauffants s'éteignent.
- Une fois la cuisson terminée, le ventilateur de refroidissement fonctionne jusqu'à ce que le four ait refroidi.
- Videz l'eau résiduelle après la cuisson à la vapeur. N'interrompez pas le cycle de vidange.
- Après la cuisson à la vapeur, videz le réservoir afin que l'eau résiduelle n'affecte pas les autres modes de cuisson.
- Si vous utilisez un thermomètre de four, sa lecture peut différer de la température du four que vous avez réglée.
- Le ventilateur de convection se met en **marche/arrêt** normalement pendant la cuisson.
- La porte du four doit être fermée pendant la cuisson au gril.

Utilisation du four à vapeur

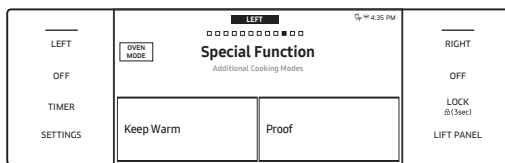
Utilisation des fonctions spéciales

La fonction spéciale offre 2 options de cuisson spécialisées.

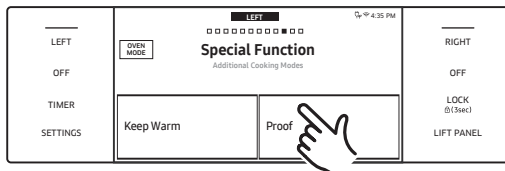
Mode	Plage de température	Four à vapeur de la cuisinière Pro 48 po
Keep Warm (Maintien au chaud)	Aucun	0
Proof (Étuvage)	85 °F (29 °C)/95 °F (35 °C)	0

** Une température non réglable et d'origine est appliquée pour obtenir de meilleures performances.

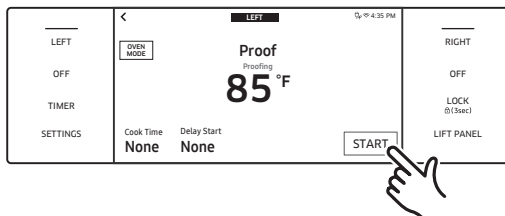
Mode	Instruction
Keep Warm (Maintien au chaud)	<ul style="list-style-type: none"> Permet de conserver les aliments cuits à la température de service jusqu'à 3 heures après la fin de la cuisson. Utilisez ce mode individuellement ou réglez-le pour une cuisson minutée ou différée. La température de maintien au chaud n'est pas suffisamment élevée pour rechauffer les aliments froids.
Proof (Étuvage)	<ul style="list-style-type: none"> Offre une température optimale pour la fermentation de la pâte à pain. <ul style="list-style-type: none"> cuisinière de 48 po (four gauche) : 85 °F / 95 °F; (four droit) : 95 °F / 105 °F Pour un résultat optimal, démarrez l'option Étuvage dans un four froid.



1. Passez à la page de la fonction spéciale.



2. Appuyez sur une option.



3. Réglez la température, puis appuyez sur **START (DÉMARRER)**.

REMARQUE

La température du mode Keep Warm (Maintien au chaud) (175 °F) ne peut pas être réglée.

REMARQUE

- Si la température du four est supérieure à 125 °F, le mode Étuvage ne fonctionnera pas correctement.
- N'utilisez pas le mode Étuvage pour chauffer les aliments. La température est insuffisante pour maintenir les aliments au chaud.
- Placez la pâte dans un récipient résistant à la chaleur au niveau 3 ou 4 de la grille, et couvrez-la d'un linge ou d'un film plastique. (Veillez à ce que le ventilateur du four ne puisse pas retirer la pellicule plastique.)
- Pour éviter de prolonger le temps de fermentation, n'ouvrez pas la porte du four.
- Parmi les quatre fonctions spéciales, seule le Mode cuisson à la pierre nécessite un préchauffage.
- Un avertisseur sonore d'erreur retentit si la température est supérieure à la plage de réglage.
- Pour le mode Keep Warm (Maintien au chaud), utilisez le niveau 1 ou 2 de la grille; pour le mode Proof (Étuvage), utilisez les niveaux 3 ou 4.

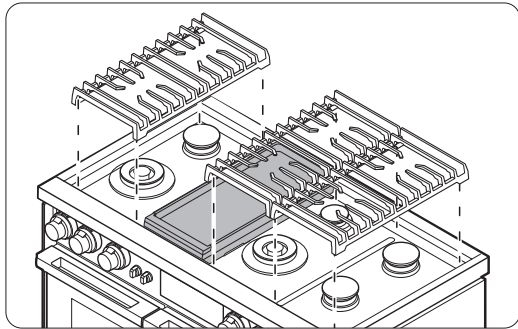
Entretien de la table de cuisson

▲ AVERTISSEMENT

Coupez l'alimentation et laissez toutes les surfaces refroidir avant de nettoyer la table de cuisson. Portez des gants en caoutchouc et faites attention aux bords tranchants.

Nettoyage de la surface de la table de cuisson

Nettoyez immédiatement tout déversement.



1. Éteignez tous les brûleurs.
2. Lorsque les grilles ont suffisamment refroidi, retirez-les.
3. Nettoyez la surface de la table de cuisson avec un chiffon doux. Si les déversements s'écoulent dans les interstices des brûleurs, retirez les chapeaux et la tête du brûleur, puis essuyez les déversements.
4. Quand vous avez terminé, réassemblez les brûleurs et repositionnez les grilles.

Nettoyage des surfaces en acier inoxydable

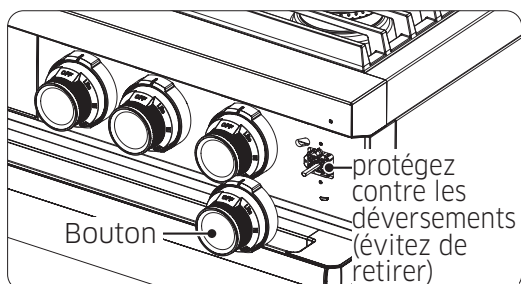
Retirez les déversements, les taches et les taches de graisse à l'aide d'un chiffon doux et humide.

1. Appliquez un nettoyant pour acier inoxydable approuvé sur un chiffon ou une serviette en papier.
2. Nettoyez une petite zone à la fois, puis une autre, en frottant dans le sens du grain, le cas échéant.
3. Séchez la surface à l'aide d'un chiffon doux et sec.

▲ ATTENTION

- N'utilisez pas de laine d'acier, de grattoirs pointus ou de nettoyants abrasifs qui pourraient endommager la cuisinière.
- Ne retirez pas la cuvette de la table de cuisson. Les conduites de gaz peuvent être endommagées, ce qui peut provoquer un incendie ou un dysfonctionnement.
- Ne versez pas d'eau dans la table de cuisson. L'eau pourrait s'infiltrer dans les mécanismes situés en dessous, provoquant un risque de choc électrique ou des niveaux élevés de monoxyde de carbone en raison de la corrosion des vannes/ports de gaz.
- Ne vaporisez aucun nettoyant dans les orifices du collecteur. Le système d'allumage qui s'y trouve doit rester sec.

Nettoyage des boutons de commande



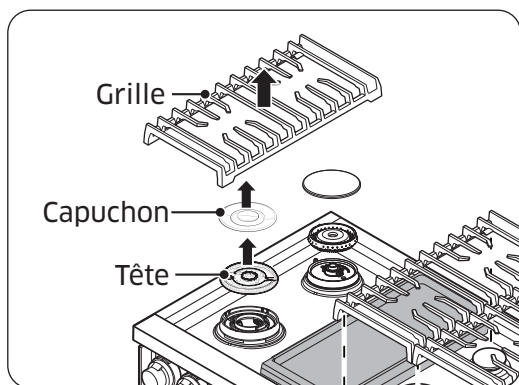
1. Retirez les boutons de leur tige de soupape.
2. Nettoyez les boutons à l'eau chaude, savonneuse (pas au lave-vaisselle), puis rincez-les et séchez-les soigneusement.
3. Nettoyez les surfaces en acier à l'aide d'un nettoyant pour acier inoxydable.
4. Remettez les boutons en place.

⚠ ATTENTION

Ne vaporisez pas de produit sur le panneau de commande. Les circuits peuvent être endommagés et créer un risque de choc électrique.

Démontage/assemblage des brûleurs et des grilles

Éteignez les brûleurs et patientez jusqu'à ce que toutes les surfaces refroidissent.



1. Retirez les grilles du brûleur.
2. Retirez les capuchons et têtes de brûleur.
3. Nettoyez les grilles et les pièces du brûleur avec de l'eau chaude savonneuse. (N'utilisez pas de tampons ou de nettoyants abrasifs.)
4. Rincez et séchez complètement les grilles et les pièces du brûleur. (Assurez-vous que les orifices du brûleur sont secs.)
5. Remontez les têtes de brûleur en veillant à ce qu'une électrode de démarrage passe dans le trou de chaque tête.
6. Terminez le remontage en vous assurant que chaque bouchon repose à plat sur chaque tête.
7. Mettez les grilles à leur place respective.
8. Vérifiez que tous les brûleurs fonctionnent convenablement.

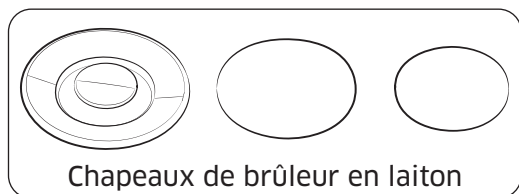
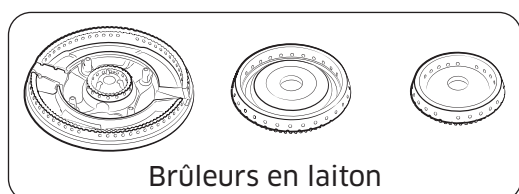
Entretien de la table de cuisson

À propos des chapeaux et têtes de brûleur

Lavez les chapeaux et les têtes à l'eau chaude savonneuse et rincez à l'eau de robinet. Vous pouvez récurer avec un tampon à récurer en plastique pour éliminer les résidus d'aliments brûlés. Utilisez une aiguille à coudre ou une attache pour déboucher les petits trous de la tête du brûleur, si nécessaire. Après le nettoyage, remettez tous les capuchons et têtes de brûleur à leurs places respectives.

⚠ ATTENTION

Les pièces de brûleur ne doivent pas être lavées dans un lave-vaisselle. N'utilisez pas de laine d'acier ou de poudres à récurer pour les nettoyer.

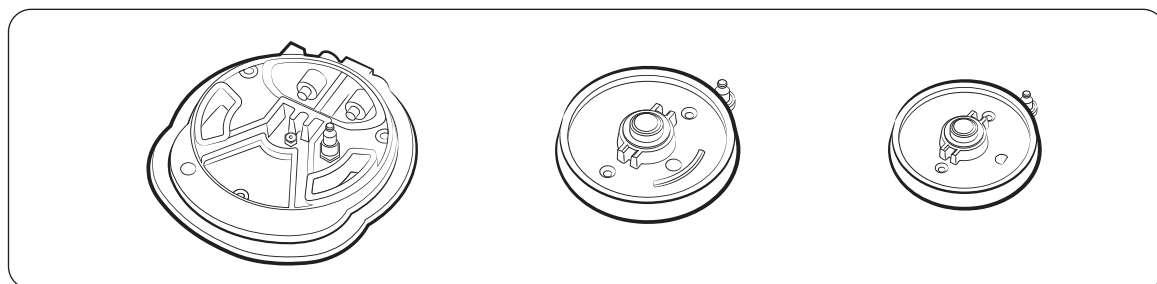


- Les parties en laiton vont se décolorer. Cependant, cela n'affectera pas les performances.
- Après le nettoyage, vérifiez que tous les orifices du brûleur ne sont pas obstrués.
- Vous pouvez remplacer les chapeaux de brûleur d'origine par des chapeaux en porcelaine.
- Pour enlever la graisse brûlée, faites tremper le chapeau dans une solution composée d'une tasse d'eau et d'une cuillère à soupe de vinaigre blanc ou de jus de citron. Évitez de nettoyer en utilisant une brosse métallique, qui peut endommager la matière en laiton.

À propos des bases du brûleur

⚠ ATTENTION

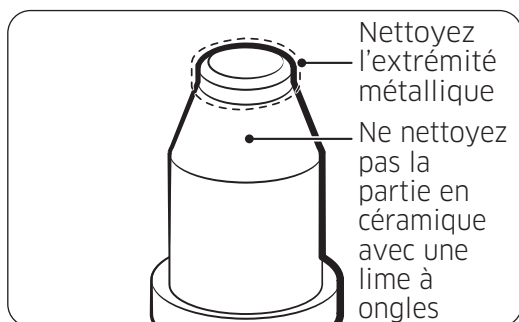
- Les bases du brûleur ne sont pas amovibles.
- Empêchent l'eau de s'infiltrer dans les bases du brûleur et les orifices de gaz en laiton.
- Essuyez-les avec un chiffon humide en veillant à ne pas endommager les bases. Séchez complètement les bases avant d'utiliser la table de cuisson.



À propos des électrodes

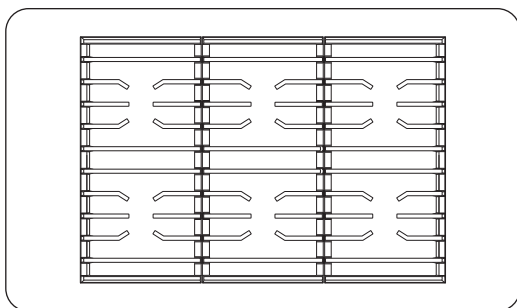
▲ AVERTISSEMENT

N'ouvrez pas la vanne en touchant l'électrode; évitez de retirer l'électrode.



- Nettoyez la partie métallique de l'électrode avec un chiffon doux.
- Nettoyez/Séchez les électrodes en céramique blanche.
- Ne nettoyez pas les allumeurs avec de l'eau.
- Avant de réassembler les brûleurs, appuyez doucement sur chaque électrode pour vérifier qu'elle est en contact avec les bases du brûleur.

À propos des grilles et de l'anneau de wok



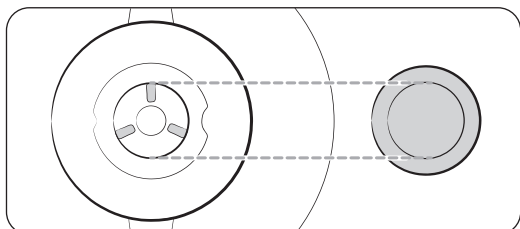
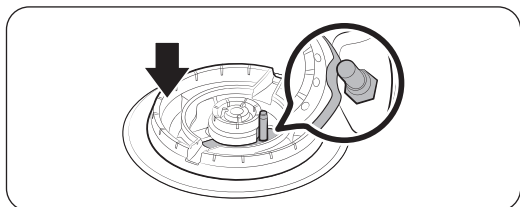
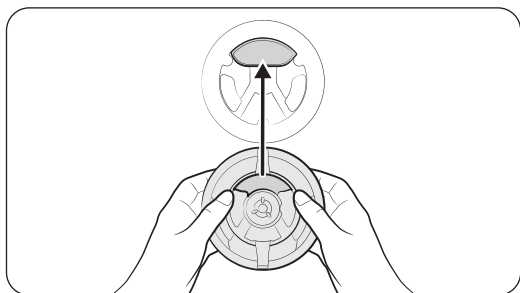
⚠ ATTENTION

Les grilles ne doivent pas être lavées dans un lave-vaisselle. Lavez-les régulièrement et après tout déversement. Lorsque les grilles peuvent être touchées sans danger, retirez-les et lavez-les à l'eau chaude savonneuse, puis rincez-les et séchez-les complètement. Repositionnez les grilles comme indiqué dans ce manuel.

Entretien de la table de cuisson

Assemblage des capuchons et têtes de brûleur

Tête/chapeaux à deux brûleurs

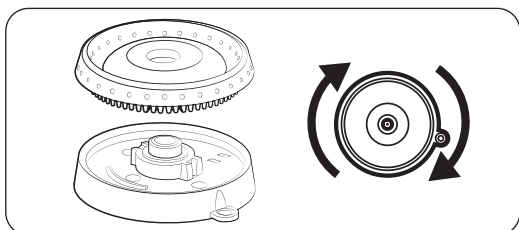


1. Orientez la tête du brûleur de sorte que l'ouverture de l'électrode soit alignée avec l'électrode.
2. Installez la tête du brûleur de manière à ce que l'électrode traverse le trou prévue à cet effet dans la tête. (Vérifiez que la tête du brûleur repose à plat sur la table de cuisson.)
3. Faites correspondre les capuchons des brûleurs aux brûleurs par taille, puis installez les capuchons sur les têtes des brûleurs.

ATTENTION

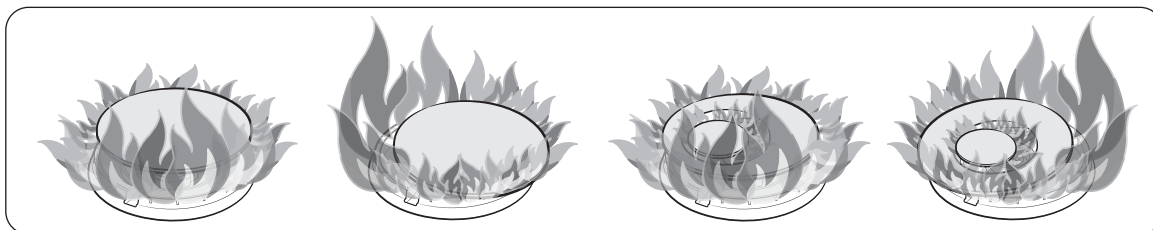
Chaque capuchon s'adapte sur une tête de brûleur spécifique. Vérifiez que chaque chapeau est installé et repose à plat sur la bonne tête.

Têtes/capuchons de brûleur ronds



1. Placez les têtes de brûleur sur les bases de brûleur comme illustré à gauche. (Le partie inférieure de la tête s'insère dans le haut de la base.)
2. Tournez légèrement chaque tête d'avant en arrière jusqu'à ce qu'elle s'emboîte.
3. Placez les capuchons de brûleur sur les anneaux de brûleur. La crête autour du bas de chaque chapeau s'adapte autour du haut de l'anneau.

Après avoir assemblé les brûleurs, vérifiez leur bon fonctionnement. Des pièces mal assemblées provoqueront un mauvais allumage ou des flammes inégales (voir ci-dessous). Si la flamme est excessivement jaune, éteignez immédiatement le brûleur et laissez-le refroidir. Ajustez les chapeaux de brûleur et rallumez le brûleur. Une bonne flamme montre est bleue et uniforme tout autour du brûleur.



Entretien du four

Entretien et nettoyage du four

AVERTISSEMENT

Assurez-vous que l'appareil est hors tension et que toutes les surfaces sont refroidies avant de nettoyer une partie quelconque de l'appareil.

Nettoyage des pièces peintes et des garnitures décoratives

- Pour un nettoyage général, utilisez un chiffon avec de l'eau chaude savonneuse.
- Pour les résidus plus difficiles, appliquez du détergent liquide directement sur la zone, et laissez agir pendant 60 minutes. Essuyez avec un chiffon humide et séchez. N'utilisez pas de nettoyeurs abrasifs, car ils peuvent gratter les surfaces du four.

Nettoyage de l'acier inoxydable

1. Secouez bien une bouteille de nettoyant ou de produit de polissage pour appareils en acier inoxydable.
2. Déposez une noisette de nettoyant pour appareils en acier inoxydable sur un chiffon ou une serviette en papier humide.
3. Nettoyez une petite surface, en frottant dans le sens du grain de l'acier, le cas échéant.
4. Séchez et polissez avec une serviette en papier propre et sèche ou un chiffon doux.

REMARQUE

Certaines serviettes en papier ont tendance à rayer l'acier inoxydable, faites un essai sur un endroit peu visible avant de les utiliser.

5. Répétez l'exercice au besoin.

REMARQUE

- N'utilisez pas de tampon en laine d'acier. Elle rayerait la surface.
- Si la cuisinière a été nettoyée pour la dernière fois avec un nettoyant pour acier inoxydable à base d'huile minérale, lavez la surface avec du savon à vaisselle et de l'eau avant d'utiliser le nettoyant pour acier inoxydable.

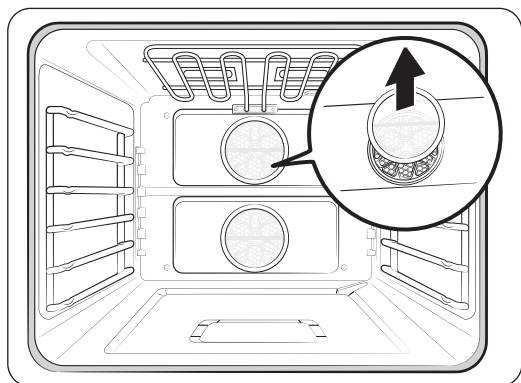
À propos du filtre à convection

Le filtre à convection est situé à l'arrière de chaque chambre du four. Nettoyez régulièrement le filtre. Si vous le laissez se boucher, les modes de cuisson par convection du four ne fonctionneront pas correctement. Retirez toujours le filtre avant l'auto-nettoyage.

REMARQUE

Pour obtenir de meilleures performances, réinstallez le filtre de convection avant de cuisiner. Autrement, vous risquez d'endommager la lame et l'ustensile de cuisson, et de blesser l'utilisateur.

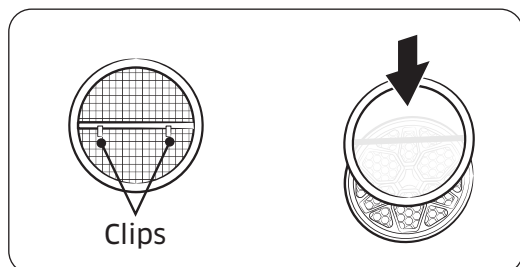
Retrait/Réinstallation du filtre à convection



Lorsque le four est froid, saisissez les bords du filtre et poussez-le doucement vers le haut.

Nettoyage du filtre

Placez le filtre sur la grille supérieure d'un lave-vaisselle, ou faites-le tremper dans de l'eau chaude savonneuse, puis rincez-le bien. Séchez le filtre avant de le réinstaller.



En centrant le filtre sur le trou du ventilateur, accrochez soigneusement les clips métalliques (à l'arrière du filtre) sur la barre métallique en travers du trou. Évitez de rayer la partie en porcelaine du four avec le filtre.

Grilles du four

- Si vous les laissez dans le four pendant l'auto-nettoyage, les grilles se décoloreront et ne glisseront plus aussi facilement sur les rails. Lorsque le four est froid, frottez les côtés de la grille avec du papier ciré ou un peu d'huile pour qu'elle glisse plus facilement sur son rail.
- Nettoyez les grilles coulissantes à la main avec un nettoyant abrasif ou de la laine d'acier. Ne laissez pas l'eau ou le produit nettoyant s'infiltrer dans les glissières de la grille.

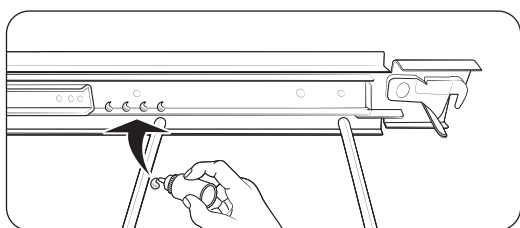
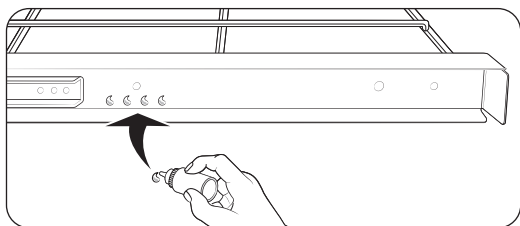
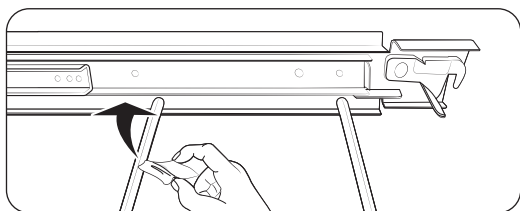
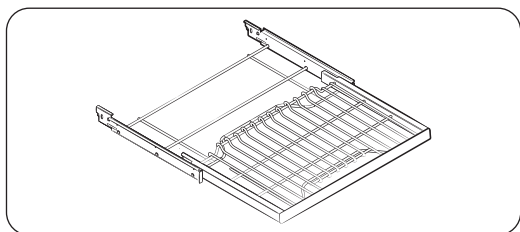
REMARQUE

- Ne nettoyez pas les grilles dans un lave-vaisselle.
- Si la grille ne glisse pas aisément, elle peut être traitée en utilisant un lubrifiant graphite approuvé par la FDA. (Le lubrifiant graphite est en vente dans de nombreux magasins et en ligne.)

Entretien du four

Lubrification des glissières des grilles coulissantes

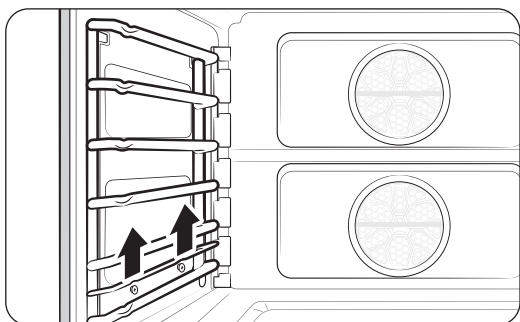
Ne lubrifiez pas la grille coulissante avec un vaporisateur de cuisson ou tout autre vaporisateur.



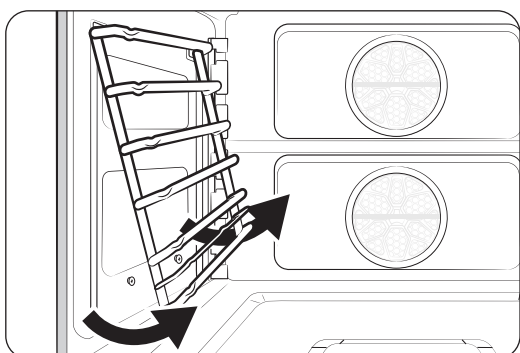
1. Retirez la grille du four. (Voir **Using the Gliding Rack** [Utilisation des grilles coulissantes], page 37)
2. Déployez complètement la grille sur une surface recouverte de papier journal ou de tissu.
3. Nettoyez les débris des rails de la glissière à l'aide d'une serviette en papier.
4. Secouez le lubrifiant graphite avant de l'ouvrir. À partir du mécanisme de la glissière gauche (avant, arrière) de la grille, déposez 4 petites gouttes de lubrifiant sur les 2 pistes inférieures de la glissière, près des supports de roulement (voir à gauche).
5. Répétez l'opération pour le mécanisme de glissement droit (avant, arrière).

Retrait/Réinstallation des supports de grille

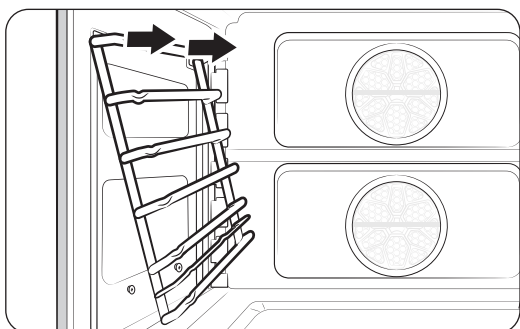
Les supports de grille peuvent être retirés pour être nettoyés. (Auto-nettoyage, GreenClean^{MC} et nettoyage manuel.



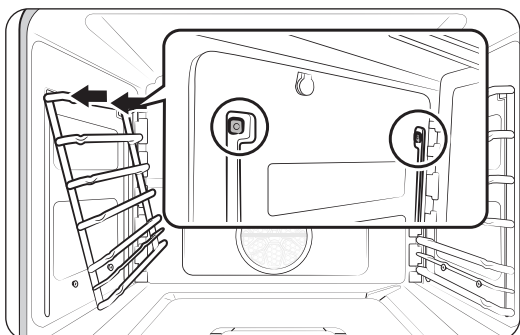
1. Saisissez le centre inférieur du support et soulevez-le.



2. Faites pivoter le fond du support vers l'extérieur d'environ 45 °.

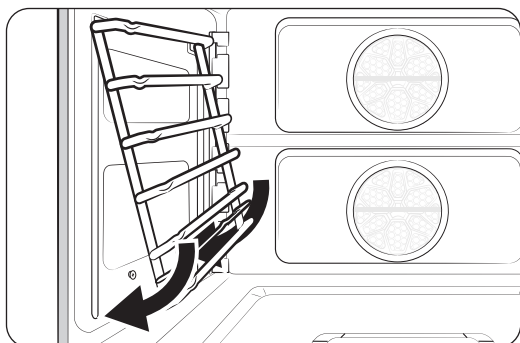


3. Tirez le support de grille des trous de montage.

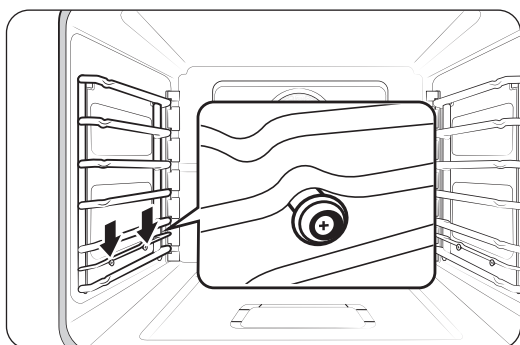


4. Insérez les broches du support de grille dans les trous situés près du haut de la paroi de la chambre du four.

Entretien du four

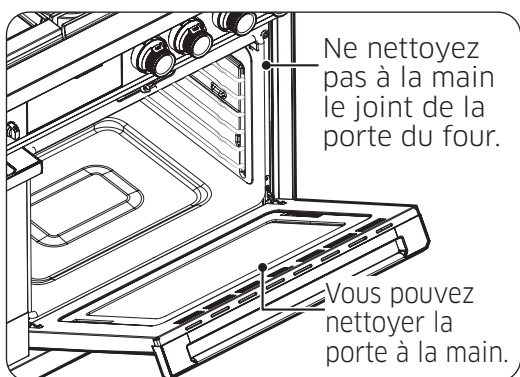


5. Faites pivoter le bas du support de grille vers la paroi de la chambre du four.



6. Tirez le support de grille vers le bas, en vous assurant que les deux bosses de la barre de support reposent sur les écrous fixés à la paroi de la chambre du four.

Nettoyage de la porte du four



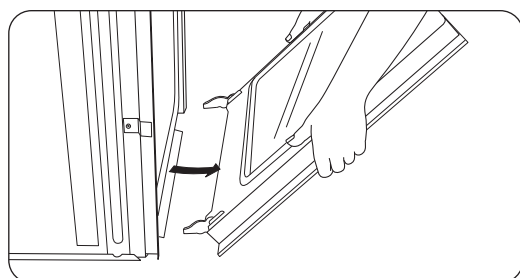
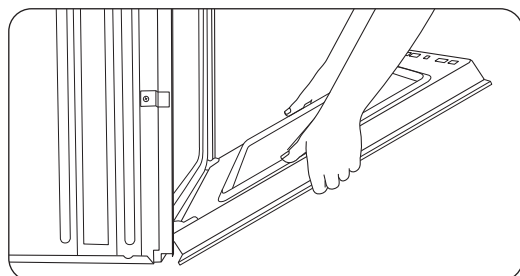
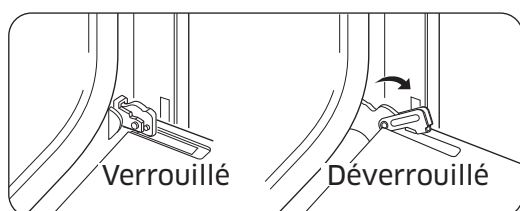
- Nettoyez les surfaces de la porte du four avec de l'eau et du savon, et rincez bien. Nettoyez la vitre extérieure de la porte avec du nettoyant pour vitres. Ne plongez pas la porte dans l'eau. Évitez que les liquides s'infiltrent dans les fentes d'aération de la porte. N'utilisez pas de nettoyants pour four, de nettoyants ou de nettoyants abrasifs sur l'extérieur de la porte.
- NE NETTOYEZ PAS, ne frottez pas, n'enlevez pas et n'endommagez pas le joint de la porte, qui est composé d'un matériau fragile essentiel à une bonne étanchéité.

Retrait/Réinstallation de la porte du four

Étendez une couverture sur une surface stable et plate où vous pourrez poser la porte une fois que vous l'aurez retirée.

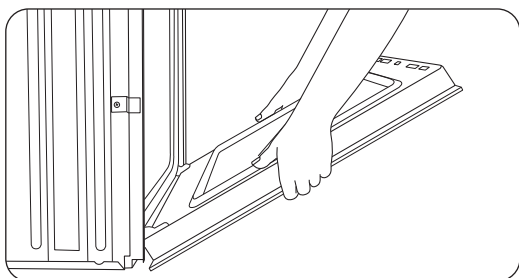
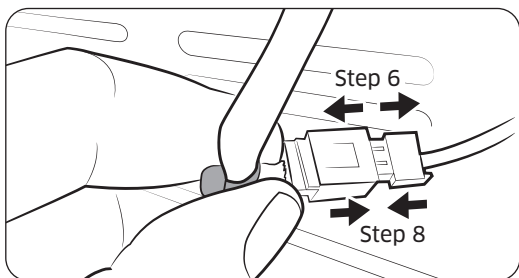
⚠ ATTENTION

La porte du four de 30 po pèse 42 lbs (19 kg). Tenez la porte avec les deux mains. Ne soulevez pas par la poignée.



1. Ouvrez la porte du four complètement.
2. Dans les coins inférieurs de la porte du four, faites pivoter les verrous des charnières vers vous pour les déverrouiller. Si les verrous des charnières ne sont pas complètement avancés (voir à gauche), vous ne pouvez pas retirer la porte.
3. Fermez partiellement la porte pour engager les verrous des charnières. (La porte s'arrête à ce stade.)
4. Saisissez les côtés de la porte sous la poignée et, tout en tirant, secouez doucement la porte d'un côté à l'autre si nécessaire pour la desserrer.
5. Posez la porte sans endommager le câble de l'ampoule DEL dans le coin inférieur droit de la porte.

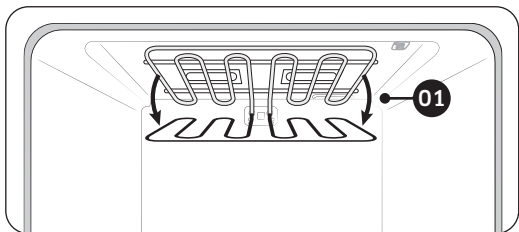
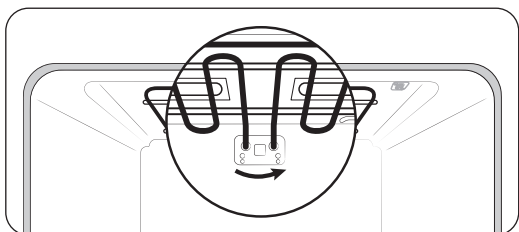
Entretien du four



6. Débranchez le faisceau de câbles, et posez la porte (poignée vers le bas), sur la couverture que vous avez préparée.
7. Lorsque vous êtes prêt à réinstaller la porte, placez-vous en haut de la porte, saisissez chaque côté sous les poignées, et emmenez la porte vers le four.
8. Posez la porte et connectez le faisceau de câbles.
9. En tenant la porte à un angle de 45 °, insérez les charnières dans les fentes. (Un emboîtement en douceur suffit à engager les charnières.)
10. Ouvrez complètement la porte. (Si elle ne s'ouvre pas à 90 °, répétez les étapes 7 à 9.)
11. Faites basculer les verrous de charnière vers l'avant pour les verrouiller, puis fermez la porte. (L'espace entre la porte et le tableau de commande doit être régulier; si ce n'est pas le cas, la charnière située à l'extrémité la plus large de l'espace n'est pas correctement installée.)
12. Remettez le faisceau de câbles dans son trou et réinsérez le joint en caoutchouc.

Changement de l'éclairage du four

L'éclairage du four est une ampoule halogène standard de 40 watts. Il s'allume lorsque la porte du four est ouverte. Après la fermeture de la porte, touchez LIGHT (ÉCLAIRAGE) pour allumer/éteindre la lumière. L'éclairage ne fonctionne pas pendant l'auto-nettoyage. Portez des gants pour les ampoules halogènes.



⚠ ATTENTION

Avant de commencer, assurez-vous que toutes les surfaces du four sont froides, puis coupez l'alimentation du four au niveau du panneau de disjoncteurs ou de la boîte à fusibles.

1. Soutenez l'élément de grill et tournez l'écrou rond dans le sens antihoraire. L'élément se desserre et s'incline vers le bas. (L'élément de grill n'est pas amovible; évitez de l'incliner avec force ou de le faire tomber.)
2. Retirez le couvercle en verre, puis le couvercle de l'ampoule.
3. Remettez l'ampoule halogène, puis le couvercle en verre.
4. Soulevez l'élément de grill en position, et tournez l'écrou dans le sens horaire pour maintenir l'élément en place.

Dépannage

Si votre cuisinière a un problème, consultez les tableaux de cette rubrique pour le résoudre. Si vous ne trouvez pas de solution, appelez l'assurance client de Dacor au 833-353-5483 (États-Unis) ou au 844-509-4659 (Canada) pour obtenir de l'aide.

Sécurité en matière de gaz

Problème	Cause possible	Action
Vous sentez une odeur de gaz.	Le brûleur est ON (allumé) , mais il ne fonctionne pas.	Tournez le bouton du brûleur sur OFF (arrêt) .
	Fuite de gaz.	<ul style="list-style-type: none"> Évacuer le bâtiment. Depuis la maison d'un voisin (votre téléphone peut provoquer une étincelle qui enflamme le gaz), appelez immédiatement la compagnie de gaz et suivez ses instructions. (Si votre fournisseur de gaz n'est pas joignable, appelez les pompiers.)

Brûleur de surface

Problème	Causes possibles	Action
Pas d'éclairage de brûleurs	La table de cuisson n'est pas branchée.	Vérifiez que le cordon d'alimentation est branché dans une prise de courant sous tension et mise à la terre.
	Fusible grillé/disjoncteur déclenché	Remplacez le fusible/réinitialisez le disjoncteur.
	Alimentation en gaz non branchée ou mal raccordée.	Voir les instructions d'installation.
Le brûleur ne s'allume pas	Le bouton de commande n'est pas réglé correctement.	Enfoncez le bouton et tournez-le dans le sens de la position du symbole de flamme.
	Les capuchons de brûleur ne sont pas en place ou la base du brûleur est mal alignée.	<ul style="list-style-type: none"> Nettoyez les électrodes. Placez le capuchon de brûleur sur la tête du brûleur. Alignez la base du brûleur.
Le brûleur émet un déclic pendant le fonctionnement	Bouton de commande dans le sens de la position de flamme.	Une fois le brûleur allumé, tournez le bouton sur le réglage souhaité; si le brûleur émet toujours un déclic, communiquez avec un technicien de service.
Le brûleur ne brûle pas de façon uniforme	Brûleur mal assemblé.	Voir la page 86 .
	Brûleurs sales.	Nettoyez les composants du brûleur, voir Page 83 .
Flammes du brûleur très grandes ou jaunes	Le mauvais orifice de brûleur est installé.	Vérifiez la taille de l'orifice du brûleur; si vous avez un orifice incorrect (gaz de pétrole liquéfié au lieu de gaz naturel), appelez un technicien de service.

Affichage des commandes

Problème	Cause possible	Solution
L'affichage est vide	Mauvais fusible/disjoncteur déclenché	Remplacez le fusible/réinitialisez le disjoncteur.
Le tableau de commande ne répond pas	Humidité/résidu sur le tableau; Verrouillage de la commande activé.	Retirez l'humidité/les résidus, réessayez; désactiver le verrouillage de la commande.

Four

Problème	Cause possible	Solution
Le four ne s'allume pas	Le four n'est pas bien branché.	Vérifiez que la prise de la cuisinière est bien branchée au secteur.
	Mauvais fusible/disjoncteur déclenché	Remplacez le fusible/réinitialisez le disjoncteur.
	Commandes du four mal réglées.	Voir Utilisation du four à vapeur , Page 72.
	Le four chauffe trop.	Laissez le four se refroidir.
	Câblage de service incomplet.	Appelez le service après-vente.
Le témoin du four ne s'allume pas	Coupure de courant.	Vérifiez les lumières de la maison. Appelez le fournisseur de services publics si nécessaire.
	Témoin desserré/défectueux.	Serrez/remplacez la lampe; appelez le service après-vente si le témoin de la porte reste éteint.
Fumée excessive pendant la cuisson grill	Interrupteur d'éclairage cassé.	Appelez le service après-vente.
	Commandes du four mal réglées.	Voir Utilisation du four à vapeur , Page 72.
	Viande trop proche de l'élément de grill.	Abaissez le niveau un de la grille.
	Viande pas convenablement préparée.	Coupez l'excès de graisse de la viande.
Les aliments ne cuisent/ne se grillent pas convenablement	La graisse s'accumule dans le four.	Nettoyez plus fréquemment le four.
	Commandes du four mal réglées.	Voir Utilisation du four à vapeur , Page 72.
	Grille mal positionnée/non uniforme	Voir Utilisation des grilles du four , Page 36.
	Température du four mal réglée.	Voir Température dans Réglages , Page 46.

Dépannage

Problème	Cause possible	Solution
Les aliments ne grillent pas correctement	La taille de la portion peut être inadaptée.	Voir Guide de recommandations pour la cuisson au grill , Page 78 et réessayer.
	La grille n'est pas bien positionnée.	Voir Guide de recommandations pour la cuisson au grill , Page 78.
	L'ustensile de cuisson n'est pas adapté au grill.	Utilisez un ustensile de cuisson adapté au grill.
	La tension peut être insuffisante.	Préchauffez le grill pendant 10 minutes, voir Guide de recommandations pour la cuisson au grill , Page 78.
Température de cuisson trop chaude/froide	Réglez la température du four.	Voir Température dans Réglages , Page 46.
De l'eau dégouline	Type d'aliment préparé.	Il ne s'agit pas d'un dysfonctionnement, laissez le four se refroidir, puis essuyez à l'aide d'un chiffon sec.
La vapeur s'échappe du joint entre le châssis du four et la porte		
L'eau reste dans le four		
Bruits d'ébullition lors de la cuisson vapeur	L'eau est chauffée par le réchauffeur de vapeur.	Il ne s'agit pas d'un dysfonctionnement.
Le four ne s'auto-nettoie pas	Le four chauffe trop pour l'auto-nettoyage.	laissez le four se refroidir, puis réinitialisez les commandes. (Voir la page 54)
	Commandes du four mal réglées.	Voir Auto-nettoyage , Page 54.
	Verrouillage de la commande activé.	Désactiver le verrouillage des commandes (voir Page 68).
Fumée excessive pendant l'auto-nettoyage.	Résidus excessifs dans le four.	Appuyez sur OFF (arrêt) ; ouvrez les fenêtres pour évacuer la fumée; attendez que l'autonettoyage s'annule, et essuyez les saletés excessives, puis relancez l'autonettoyage.
La porte du four ne s'ouvre pas après l'autonettoyage.	Le four chauffe trop.	Laissez le four se refroidir.

Problème	Cause possible	Solution
Le four est toujours sale, et ce, malgré l'auto-nettoyage.	Commandes du four mal réglées.	Voir Auto-nettoyage , Page 54.
	Le four est trop sale.	Essuyez les résidus d'aliments, puis lancez l'autonettoyage; les fours très sales peuvent nécessiter deux cycles d'autonettoyage ou des cycles plus longs.
De la vapeur se dégage de la fente d'aération.	Lorsque vous utilisez la convection, la vapeur s'échappe normalement de la bouche d'aération du four.	Il s'agit d'un processus normal.
	Cuisson d'une grande quantité d'aliments.	
Une odeur de brûlé ou d'huile s'échappe de la bouche d'aération.	Nouveau four.	Pour éliminer l'odeur plus rapidement, réglez l'auto-nettoyage sur 3 heures et plus (voir Auto-nettoyage , Page 54)
Odeur forte.	Isolation dans un nouveau four.	Faites fonctionner le four à vide sur Bake (Cuisson) à 400 °F pendant 1 heure.
Bruit du ventilateur.	Le ventilateur de convection est en marche/arrêt .	Il s'agit d'un processus normal.
Grilles du four difficiles à faire glisser.	Les grilles chromées sont restées dans le four pendant l'auto-nettoyage.	Appliquez un peu d'huile végétale sur une serviette en papier et essuyez les bords des plaques de four.
La porte du four est verrouillée.	Disjoncteur déclenché ou coupure de courant alors que la porte était verrouillée.	Activez le verrouillage de la commande, puis déverrouillez la commande. Voir Utilisation du verrouillage des commandes , Page 68.

Dépannage

Codes d'information

Code affiché	Cause possible	Solution
C-d1	Se produit si le verrouillage de la porte est mal positionné.	Appuyez sur OFF (Arrêt), et redémarrez le four. Si le problème persiste, débranchez le four pendant au moins 30 secondes, puis rebranchez-le. Si le problème n'est pas résolu, appelez le service après-vente.
C-F0	La communication entre la carte de circuit principale et la carte de circuit imprimé secondaire est interrompue.	
C-F2	La communication entre la carte de circuit principale et le Touch est interrompue.	
C-20	Le capteur du four est soit ouvert, soit court-circuité lorsque le four est en marche.	
C-21	Se produit lorsque la température interne est anormalement élevée.	Redémarrez l'appareil.
C-23	Le capteur de la sonde de température est en court-circuit lorsque le four fonctionne.	Appuyez sur OFF (Arrêt), et redémarrez le four. Si le problème persiste, débranchez le four pendant au moins 30 secondes, puis rebranchez-le. Si le problème n'est pas résolu, appelez le service après-vente.
C-30	Le capteur de la carte de circuit imprimé est soit ouvert, soit court-circuité lorsque le four est en marche.	
C-31	Se produit lorsque la température de la carte de circuit imprimé est anormalement élevée.	Appeler le service après-vente
C-70	Le capteur de vapeur est soit ouvert, soit court-circuité lorsque le four est en marche.	Appuyez sur OFF (Arrêt), et redémarrez le four. Si le problème persiste, débranchez le four pendant au moins 30 secondes, puis rebranchez-le. Si le problème n'est pas résolu, appelez le service après-vente.
C-72	Problème avec le système de vidange.	
C-A2	Problème avec le moteur de refroidissement.	Appelez le service après-vente.

Garantie et service

Garantie

Ce qui est couvert

CERTIFICAT DE GARANTIES : DACOR EST PRÉSENT DANS LES 50 ÉTATS DES ÉTATS-UNIS, LE DISTRICT DE COLUMBIA ET LE CANADA :

GARANTIE COMPLÈTE DE 2 ANS

La garantie ne s'applique qu'aux appareils de style contemporain Dacor vendus à l'acheteur initial, à compter de la date d'achat au détail originale ou de la date de clôture d'une nouvelle construction, selon la période la plus longue. La garantie est valable pour les produits de style contemporain achetés neufs auprès d'un revendeur agréé Dacor ou d'un autre vendeur agréé par Dacor.

Si, dans les 2 ans suivant la date d'achat initiale, votre produit Dacor de style contemporain présente un dysfonctionnement dû à un défaut de matériau ou de fabrication, Dacor remettra l'appareil en état de marche sans frais pour vous.

Tous les dommages esthétiques (par exemple les rayures sur l'acier inoxydable, les taches de peinture/porcelaine,) de l'appareil ou des accessoires inclus doivent être signalés à Dacor dans les 60 jours suivant la date d'achat initiale pour pouvoir bénéficier de la garantie.

LIMITES DE LA COUVERTURE

Le service sera fourni par une société de service désignée par Dacor pendant les heures normales de bureau. Ces fournisseurs sont des entités indépendantes et non des agents de Dacor. Les produits exposés par les revendeurs et les maisons modèles dont la date de production est supérieure à 5 ans, les produits vendus « tels quels » et les produits installés pour un usage non résidentiel (organisations religieuses, casernes de pompiers, chambres d'hôtes, spas, etc.) sont couverts par une garantie d'un an sur les pièces uniquement. Tous les frais de livraison, d'installation, de main-d'œuvre et autres frais de service sont à la charge de l'acheteur.

La garantie est nulle et non valable dans les conditions suivantes :

- sur tout produit dont les numéros de série et les étiquettes ont été modifiés/effacés/supprimés.
- si un produit non homologué ETL/non-CUL est transporté depuis les États-Unis.

Le propriétaire doit fournir une preuve d'achat ou une déclaration de clôture pour une nouvelle construction sur demande. Tous les produits Dacor doivent être accessibles pour la réparation.

EN DEHORS DES 50 ÉTATS DES ÉTATS-UNIS, DU DISTRICT DE COLUMBIA, ET DU CANADA : GARANTIE LIMITÉE DE PREMIÈRE ANNÉE

Si votre produit Dacor présente un dysfonctionnement dans un délai de 1 an à compter de la date d'achat initiale en raison d'un défaut de matériau ou de fabrication, Dacor fournira une nouvelle pièce, FOB usine, pour remplacer la pièce défectueuse. La livraison, l'installation, les coûts de main-d'œuvre et les autres frais de service sont à la charge de l'acheteur.

Garantie et service

Ce qui n'est pas couvert

- De légères variations de couleur dues à des différences dans les pièces peintes, l'éclairage de la cuisine, l'emplacement du produit et d'autres facteurs.
- Appels de service pour former le propriétaire à l'utilisation et à l'entretien du produit.
- Les frais de service pour les déplacements vers les îles et les régions éloignées (y compris, mais sans s'y limiter, les ferries, les routes à péage et autres frais de déplacement).
- Dommages indirects ou accessoires (y compris, mais sans s'y limiter, la perte de nourriture ou de médicaments, la perte de temps de travail ou les repas au restaurant).
- Défaillance du produit dans des circonstances non résidentielles (par exemple, commercial, industriel, b&b, organisation religieuse).
- Les problèmes de fonctionnement du produit dus à une installation incorrecte.
- Les pièces consommables (par exemple les filtres et les ampoules).
- Remplacement des fusibles de la maison, des boîtes à fusibles ou réarmement des disjoncteurs.
- Les dommages résultant de ce que l'on appelle des « cas de force majeure » (par exemple, un incendie, une inondation, une panne de courant ou une surtension).
- La responsabilité pour les dommages causés aux biens environnants (par exemple, les armoires, les planchers, les plafonds, les comptoirs).
- Bris/décoloration/dommages causés au verre, aux surfaces métalliques, aux pièces en plastique, aux garnitures, à la peinture ou à toute autre finition cosmétique en raison d'un abus, d'une négligence ou d'une utilisation/un entretien inapproprié.

Produits hors-garantie

Si vous rencontrez un problème de service après l'expiration de la période de garantie standard, communiquez avec nous néanmoins.

Dacor examine chaque problème et chaque préoccupation du client afin d'apporter la meilleure solution possible pour le client en fonction des circonstances individuelles.

LES RECOURS PRÉVUS DANS LES GARANTIES EXPRESSES CI-DESSUS SONT LES SEULS ET UNIQUES RECOURS; AINSI, AUCUNE AUTRE GARANTIE EXPRESSE N'EST ACCORDÉE ET, EN DEHORS DES 50 ÉTATS DES ÉTATS-UNIS, DU DISTRICT DE COLUMBIA ET DU CANADA, TOUTES LES GARANTIES IMPLICITES, Y COMPRIS, MAIS SANS S'Y LIMITER, TOUTE GARANTIE IMPLICITE DE QUALITÉ MARCHANDE OU D'ADÉQUATION À UN USAGE OU À UN BUT PARTICULIER, SONT LIMITÉES À UNE DURÉE D'UN AN À COMPTER DE LA DATE D'ACHAT INITIALE. DACOR NE SERA PAS RESPONSABLE DES FRAIS ACCESSOIRES OU DES DOMMAGES INDIRECTS. SI DACOR L'EMPORTE DANS UN PROCÈS, DACOR AURA DROIT AU REMBOURSEMENT DE TOUS LES FRAIS ET DÉPENSES, Y COMPRIS LES HONORAIRES D'AVOCAT, PAR LE CLIENT DE DACOR. AUCUNE GARANTIE, EXPRESSE OU IMPLICITE, N'EST FAITE À UN ACHETEUR POUR LA REVENTE.

Certains États n'autorisent pas la limitation de la durée d'une garantie implicite, ou n'autorisent pas l'exclusion ou la limitation des dommages inconséquents, par conséquent les limitations ou exclusions ci-dessus peuvent ne pas s'appliquer à votre cas.

Cette garantie vous donne des droits légaux spécifiques, et vous pouvez également avoir d'autres droits qui varient d'un état à l'autre.

Annexe

Question

Pour toute question concernant les caractéristiques, le fonctionnement ou les performances, les pièces, les accessoires ou le service.

Veuillez composer le 833-353-5483(USA), 844-509-4659(CANADA) pour l'enregistrement de la garantie de votre produit Dacor.

Nom du modèle et numéro de série

Le nom du modèle et le numéro de série sont indiqués sur le côté gauche du produit.

Pour une utilisation ultérieure, notez ces informations sur la page en cours.

Nom du modèle _____

Numéro de série _____

Annonce du source ouverte

Le logiciel inclus dans cette cuisinière contient un logiciel open-source. Vous pouvez obtenir le code source complet correspondant jusqu'à 3 ans après la dernière expédition de ce modèle en envoyant un courriel à : oss.request@samsung.com.

Vous pouvez également obtenir le code source complet correspondant sur un support physique (par exemple, un CD-ROM) moyennant des frais minimes.

Cet URL : http://opensource.samsung.com/opensource/OVEN_HKM_TZ/seq/0 mène à la page de téléchargement du code source et à des informations sur la licence open-source concernant ce modèle.



NOTES

NOTES

NOTES

dacor

Dacor • 14425 Clark Avenue, City of Industry, CA 91745 • Numéro de téléphone : 833-353-5483 (États-Unis) , 844-509-4659 (CANADA).
• Télécopie : (626) 403-3130 • www.dacor.com