

dacor[®]

User Manual

Built-In Refrigerator
DRF36*





Contents

Important Information **5**

Before You Begin 5

Safety Information **6**

Important safety symbols and precautions: 7

State of California Proposition 65 Warning (US only) 7

Severe warning signs for transportation and site 7

Critical installation warnings 8

Installation cautions 10

Critical usage warnings 11

Usage cautions 14

Cleaning cautions 15

Critical disposal warnings 16

This appliance is intended to be used in household and similar applications such as 16

What's included **17**

Inside Parts, Storage, and Shelving 17

Operations **19**

Control panel 19

Smartthings 24

SMART GRID Function (Demand Response) 27

Special features 31

Handle and care 34

Replacement 36

Care and Maintenance **38**

Cleaning 38



Troubleshooting	39
General	39
Do you hear abnormal sounds from the refrigerator?	42
Smarthings	44
Smart Grid	45
Warranty and Service	47
Customer Service	47
Warranty	47
Open Source Announcement	51
Regulatory Notice	52
FCC Notice	52
IC Notice	53



To Our Valued Customer:

Congratulations on your purchase of the very latest in Dacor® products! Our unique combination of features, style and performance make us The Life of the Kitchen™, and a great addition to your home.

In order to familiarize yourself with the controls, functions and full potential of your new Dacor Appliance, read this use and care manual thoroughly, beginning with the **Important Safety Instructions** section.

All Dacor appliances are designed and manufactured with quality and pride, while working within the framework of our company value. Should you ever experience a problem with your product, please first check the Troubleshooting section of this manual for guidance. It provides useful suggestions and remedies prior to calling for service.

Valuable customer input helps us to continuously improve our products and services, so please feel free to contact our Customer Service Team for assistance with any of your product support needs.

Dacor Customer Service Team
14425 Clark Avenue
City of Industry, CA 91745

Telephone: (800) 793-0093
Fax: (626) 403-3130
Hours of Operation: Monday through Friday 6:00 A.M. to 5:00 P.M. Pacific Time
Website: www.Dacor.com

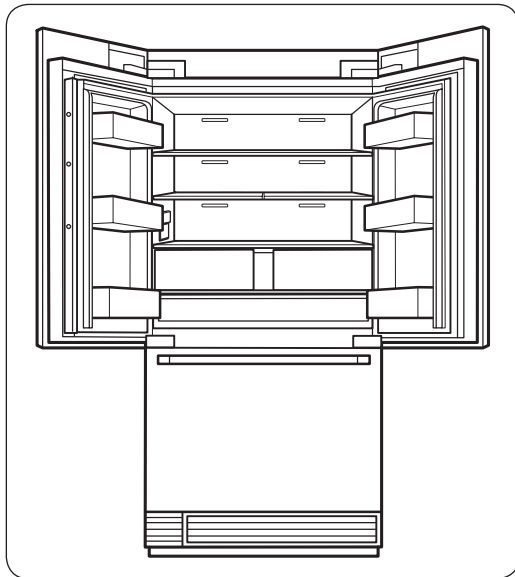
Thank you for choosing Dacor for your home. We are a company built by families for families, and we are dedicated to serving yours. We are confident that your new Dacor product will deliver a high level of performance and enjoyment for many years to come.

Sincerely,

The Dacor Customer Service Team

Important Information

Before You Begin



Installer

- Leave these Use and Care instructions with the appliance.

Consumer

- Please read this Use and Care Manual completely before using your refrigerator. Save it for future reference.

Retain your sales receipt or canceled check. Proof of original purchase date is required for warranty service.

Have the complete model and serial number identification for your appliance ready.

These numbers are found on the label located inside of the refrigerator wall. Record these numbers below for easy access.

Model Number	
Serial Number	
Date of Purchase	

Since we continually improve the quality and performance of our products, we may make changes to the appliance without updating this manual. Visit www.dacor.com to download the latest version of this manual.

Dacor Customer Service

Phone: (800) 793-0093 (U.S.A. and Canada) Monday – Friday 6:00 A.M. to 5:00 P.M. Pacific Time

Website: www.dacor.com

Safety Information

- Before using your new Dacor Refrigerator, please read this manual thoroughly to ensure that you know how to operate the features and functions that your new appliance offers safely and efficiently.
- This appliance is not intended for use by persons (including children) with reduced physical, sensory or mental capabilities, or lack of experience and knowledge, unless they have been given supervision or instruction concerning use of the appliance by a person responsible for their safety. Children should be supervised to ensure that they do not play with the appliance.
- Because the following instructions cover various models, the characteristics of your refrigerator may differ slightly from the refrigerator described in this manual.
- It is hazardous for anyone other than an Authorised Service Person to service this appliance.
- Refrigerant squirting out of the pipes could ignite or cause an eye injury. When refrigerant leaks from the pipe, avoid any naked flames and move anything flammable away from the product and ventilate the room immediately.
 - Failing to do so may result in fire or explosion.

WARNING

- R-600a is used as a refrigerant. This product contains flammable gas (Refrigerant R-600a), contact your local authority in regard to safe disposal of this product.
- In order to avoid the creation of a flammable gas-air mixture if a leak in the refrigerating circuit occurs, the size of the room in which the appliance may be sited depends on the amount of refrigerant used. The room must be 35.3 ft³ in size for every 8 g of R-600a refrigerant inside the appliance.
- The installation location should not be exposed to direct sunlight and not placed near any electric appliance or heat source, e.g. stove, oven or hob, radiator, etc.
- If you use two products side by side, for safety reason, be sure to use certified products in explosive gas atmospheres.
- Never start up an appliance showing any signs of damage. If in doubt, consult your dealer.



Warning; Risk of fire / flammable materials

Important safety symbols and precautions:

Please follow all safety instructions in this manual. This manual uses the following safety symbols.

WARNING

Hazards or unsafe practices that may result in **severe personal injury, property damage, and/or death.**

CAUTION

Hazards or unsafe practices that may result in **severe personal injury and/or property damage.**

NOTE

Useful information that helps users understand or benefit from the refrigerator.

These warning signs are here to prevent injury to you and others.

Please follow them carefully.

After reading this section, keep it in a safe place for future reference.

State of California Proposition 65 Warning (US only)

WARNING: Cancer and Reproductive Harm - www.P65Warnings.ca.gov.

Severe warning signs for transportation and site

WARNING

- When transporting and installing the appliance, care should be taken to ensure that no parts of the refrigerating circuit are damaged.
 - Refrigerant leaking from the pipe work could ignite or cause an eye injury. If a leak is detected, avoid any naked flames or potential sources of ignition and air the room in which the appliance is standing for several minutes.
 - This appliance contains a small amount of isobutane refrigerant (R-600a), a natural gas with high environmental compatibility that is, however, also flammable. When transporting and installing the appliance, care should be taken to ensure that no parts of the refrigerating circuit are damaged.



Safety Information

Critical installation warnings

WARNING

- Do not install the refrigerator in a damp location or place where it may come in contact with water.
 - Deteriorated insulation on electrical parts may cause an electric shock or fire.
- Do not place this refrigerator in direct sunlight or expose it to the heat from stoves, room heaters, or other appliances.
- Do not plug several appliances into the same multiple power strip. The refrigerator should always be plugged into its own individual electrical outlet which has a voltage rating that matches the voltage listed on the refrigerator's rating plate.
 - This provides the best performance and also prevents overloading of house wiring circuits, which could overheat the wires and cause a fire hazard.
- If the wall socket is loose, do not insert the power plug.
 - There is a risk of electric shock or fire.
- Do not use a power cord that has cracks or abrasion damage along its length or at either end.
- Do not bend the power cord excessively or place heavy objects on it.
- Do not pull or excessively bend the power cord.
- Do not twist or tie the power cord.
- Do not hook the power cord over a metal object, place a heavy object on the power cord, insert the power cord between objects, or push the power cord into the space behind the appliance.
- Never unplug your refrigerator by pulling on the power cord. Always grip the plug firmly and pull straight out from the outlet.
 - Damage to the cord may cause a short-circuit, fire, and/or electric shock.
- Do not store explosive substances such as aerosol cans with a flammable propellant in this appliance.
- Do not install this appliance near a heater or flammable material.
- Do not install this appliance in a location where gas may leak.
 - This may result in an electric shock or fire.
- This refrigerator must be properly located and installed in accordance with the instructions in this manual before you use it.
- Connect the power plug in the proper position with the cord hanging down.
 - If you connect the power plug upside down, the wire can get cut off and cause a fire or electric shock.
- Make sure that the power plug is not crushed or damaged by the back of the refrigerator.



- Keep the packing materials out of reach of children.
 - There is a risk of death from suffocation if a child puts the packing materials on his or her head.
- The appliance must be positioned so that the plug is accessible after installation.
 - Failing to do so may result in an electric shock or fire due to electric leakage.
- Do not install this appliance in a humid, oily or dusty location, or in a location exposed to direct sunlight or to water (rain drops).
 - Deteriorated insulation on electrical parts may cause an electric shock or fire.
- If large amounts of dust or water enter the refrigerator, turn off the power switch and contact your Dacor service center.
 - Otherwise there is a risk of fire.
- You need to remove all the protective plastic film before you initially plug the product in.
- Children should be supervised to ensure that they do not play with the snap rings used for door adjustment or the water tube clips.
 - There is risk of death by suffocation if a child swallows a snap ring or water tube clip. Keep the snap rings and water tube clips out of children's reach.
- The refrigerator must be safely grounded.
 - Always make sure that you have grounded the refrigerator before attempting to investigate or repair any part of the appliance. Power leakages can cause severe electric shock.
- Never use gas pipes, telephone lines, or other potential lightning attractors as an electrical ground.
 - You must ground the refrigerator to prevent any power leakages or electric shocks caused by current leakage from the refrigerator.
 - This may result in an electric shock, fire, explosion, or problems with the product.
 - Improper use of the grounding plug can result in a risk of electric shock. If it is necessary to use an extension cord, use only a 3-wire extension cord that has a 3-blade grounding plug and a 3-slot receptacle that will accept the plug on the appliance. The marked rating of the extension cord should be AC 115-120 V, 10 A, or more. If a grounding adapter is used, make sure the receptacle box is fully grounded.
- Plug the power plug into the wall socket firmly. Do not use a damaged power plug, damaged power cord, or loose wall socket.
 - This may result in an electric shock or fire.
- If the power cord is damaged, have it replaced immediately by the manufacturer or one of its service agents.



Safety Information

- Only a qualified technician or service company should be allowed to change the fuse in the refrigerator.
 - Failing to do so may result in an electric shock or personal injury.
- The wall socket must be easily accessible so that the appliance can be quickly disconnected from the wall socket in an emergency. It must be outside the area of the rear of the appliance.
- When positioning the appliance, ensure the power cord is not trapped or damaged.
- Do not locate multiple portable socket-outlets or portable power supplies at the rear of the appliance.
- Keep ventilation openings, in the appliance enclosure or in the built-in structure, clear of obstruction.
- Connect to potable water supply only.
- To avoid a hazard due to instability of the appliance, it must be fixed in accordance with the instructions.

Installation cautions

CAUTION

- Allow sufficient space around the refrigerator and install it on a flat surface.
 - Keep the ventilation space in the appliance enclosure or mounting structure clear of obstructions.
- After you have installed the refrigerator and turned it on, allow the appliance to stand for 2 hours before loading it with food.
- It is strongly recommended you have a qualified technician or service company install the refrigerator.
 - Failing to do so may result in an electric shock, fire, explosion, problems with the product, or injury.
- Overloading one door may make the refrigerator fall, causing physical injury.



Critical usage warnings

WARNING

- Do not insert the power plug into a wall socket with wet hands.
 - This may result in an electric shock.
- Do not store articles on the top of the appliance.
 - When you open or close the door, the articles may fall and cause personal injury and/or material damage.
- Do not insert hands, feet or metal objects (such as chopsticks, etc.) into the bottom or the back of the refrigerator.
 - This may result in an electric shock or injury.
 - Any sharp edges may cause a personal injury.
- Do not touch the inside walls of the freezer or products stored in the freezer with wet hands.
 - This may cause frostbite.
- Do not put a container filled with water on the refrigerator.
 - If spilled, there is a risk of fire or electric shock.
- Do not keep volatile or flammable objects or substances (benzene, thinner, propane gas, alcohol, ether, LP gas, and other such products) in the refrigerator.
 - This refrigerator is for storing food only.
 - This may result in fire or explosion.
- Children should be supervised to ensure that they do not play with the appliance.
 - Keep fingers out of the “pinch point” or hinge areas of the doors. Be careful closing the doors when children are in the areas.
- Do not let children hang on the door or door bins. A serious injury may occur.
- Do not let children go inside the refrigerator. They could become trapped.
- Do not insert your hands into the area under the appliance.
 - Any sharp edges may cause personal injury.
- Do not store pharmaceutical products, scientific materials, or temperature sensitive products in the refrigerator.
 - Products that require strict temperature controls must not be stored in the refrigerator.
- Do not place or use electrical appliances inside the refrigerator/freezer, unless they are of a type recommended by the manufacturer.
- If you smell smoke, turn off the power switch immediately, and then contact your Dacor service center.
- If large amounts of dust or water enter the refrigerator, turn off the power switch and contact your Dacor service center.
 - Otherwise there is a risk of fire.



Safety Information

- Do not let children step on a drawer.
 - The drawer may break and cause them to slip.
- Do not leave the doors of the refrigerator open while the refrigerator is unattended and do not let children enter the refrigerator.
- Do not allow babies or children go into a drawer.
 - It can cause death from suffocation by entrapment or personal injury.
- Do not overfill the refrigerator with food.
 - When you open the door, an item may fall out and cause personal injury or material damage.
- Do not spray volatile material such as insecticide onto the surface of the appliance.
 - As well as being harmful to humans, it may also result in an electric shock, fire, or problems with the product.
- Never put fingers or any objects into the water dispenser outlet, ice chute, or ice maker bucket.
 - It may cause a personal injury or material damage.
- Do not use or place any substances sensitive to temperature such as flammable sprays, flammable objects, dry ice, medicine, or chemicals near or inside the refrigerator.
- Do not use a hair dryer to dry the inside of the refrigerator. Do not place a lighted candle in the refrigerator to remove bad odors.
 - This may result in an electric shock or fire.
- Fill the water tank, ice tray, and water cubes with potable water only (tap water, mineral water, or purified water).
 - Do not fill the tank with tea, juice, or a sports drink. They can damage the refrigerator.
- Do not use mechanical devices or any other means to accelerate the defrosting process, other than those recommended by the manufacturer.
- Do not damage the refrigerant circuit.
- Do not put a fridge shelf into the refrigerator upside down. The shelf stopper will not work.
 - The glass shelf could fall and cause personal injury.
- If a gas leak is detected, avoid any naked flames or potential sources of ignition, and air the room in which the appliance is standing for several minutes.
 - Do not touch the appliance or power cord.
 - Do not use a ventilating fan.
 - A spark may result in an explosion or fire.
- Use only the LED Lamps provided by the manufacturer or its service agents.
- Bottles should be stored tightly together so that they do not fall over or out.
- This product is intended only for the storage of food in a domestic environment.



-
- Never put fingers or any objects into the water dispenser outlet, ice chute, or ice maker bucket.
 - This can cause a personal injury or material damage.
 - Do not attempt to repair, disassemble, or modify the refrigerator yourself.
 - Unauthorized modifications can cause safety problems. To reverse an unauthorized modification, we will charge the full cost of parts and labor.
 - Do not use any fuse (such as cooper, steel wire, etc.) other than a standard fuse.
 - If your refrigerator needs to be repaired or reinstalled, contact your nearest service center.
 - Failing to do so may result in an electric shock, fire, problems with the product, or injury.
 - If the interior or exterior LED lamp has gone out, contact your nearest Dacor service center.
 - If the refrigerator emits a burning smell or smoke, unplug the refrigerator immediately and contact a Dacor service center.
 - Failing to do so may result in an electric or fire hazards.
 - Pull the power plug out of the socket before changing the interior lamps of the refrigerator.
 - Otherwise, there is a risk of electric shock.
 - If you experience difficulty changing a non-LED light, contact a Dacor service center.
 - If the product is equipped with LED lamps, do not disassemble the Lamp Covers and LED lamps yourself.
 - Contact a Dacor service center.
 - Plug the power plug into the wall socket firmly.
 - Do not use a damaged power plug, damaged power cord, or loose wall socket.
 - This may result in an electric shock or fire.

Safety Information

Usage cautions

CAUTION

- Do not re-freeze frozen foods that have thawed completely. Do not place carbonated or fizzy drinks in the freezer compartment. Do not put bottles or glass containers in the freezer.
 - When the contents freeze, the glass may break and cause personal injury.
- Use only the ice maker provided with the refrigerator.
- To get the best performance from the product:
 - Do not place food too close to the vents at the rear of the refrigerator as this can obstruct free air circulation in the refrigerator compartment.
 - Wrap food up properly or place it in airtight containers before putting it into the refrigerator.
 - Do not put glass bottles or carbonated beverages into the freezer. They can freeze and break. Broken beverage containers can cause injury.
 - Please observe maximum storage times and expiration dates of frozen goods.
- Do not put glass containers or bottles or carbonated beverages into the freezer.
 - The container may freeze and break, and this may result in injury.
- Service Warranty and Modification.
 - Any changes or modifications performed by a 3rd party on this finished appliance are not covered under Dacor warranty service, nor is Dacor responsible for safety issues that result from 3rd party modifications.
- Do not block the air vents inside the refrigerator.
 - If the air vents are blocked, especially with a plastic bag, the refrigerator can be over cooled.
- If the refrigerator is disconnected from the power supply, you should wait for at least five minutes before plugging it back in.
- If large amounts of water enter the refrigerator, turn off the power switch and contact a Dacor service center.
- Do not strike or apply excessive force to any glass surface.
 - Broken glass may result in a personal injury and/or property damage.
- Fill the water tank and ice cube trays with potable water only (tap water, mineral water, or purified water).
 - Do not fill the tank with tea, juice, or a sports drink. They can damage the refrigerator.
- If the refrigerator is flooded, shut off the power to the refrigerator and contact your nearest Dacor service center.
 - There is a risk of electric shock or fire.

Cleaning cautions

CAUTION

- Do not spray water directly on the inside or outside the refrigerator.
 - There is a risk of fire or electric shock.
- Do not use a hair dryer to dry the inside of the refrigerator.
- Do not place a lighted candle in the refrigerator to remove bad odors.
 - This may result in an electric shock or fire.
- Do not spray cleaning products directly on the display.
 - Printed letters on the display may come off.
- If any foreign substance such as water has entered the appliance, turn off the power switch and contact your nearest service center.
 - Failing to do so may result in an electric shock or fire.
- Use a clean, dry cloth to remove any foreign matter or dust from the power plug blades. Do not use a wet or damp cloth when cleaning the plug.
 - Otherwise, there is a risk of fire or electric shock.
- Do not clean the appliance by spraying water directly onto it.
- Do not use benzene, thinner, or Clorox (bleach) to clean the refrigerator.
 - They may damage the surface of the appliance and may cause a fire.
- Never put fingers or any objects into the dispenser outlet.
 - This can cause a personal injury or material damage.
- Before cleaning or performing maintenance, unplug the appliance from the wall socket.
 - Failing to do so may result in an electric shock or fire.



Safety Information

Critical disposal warnings

WARNING

- **DANGER** : Risk of child entrapment. Before you throw away your old refrigerator or freezer:
 - Take off the doors and door latch.
 - Leave the shelves in place so that children may not easily climb inside.
 - Children trapped inside a refrigerator can hurt themselves or suffocate to death.
- Please dispose of the packaging material from this product in an environmentally friendly manner.
- Ensure that none of the pipes on the back of the refrigerator are damaged prior to disposal.
- R-600a is used as a refrigerant. This product contains flammable gas (Refrigerant R-600a), contact your local authority in regard to safe disposal of this product.
- When disposing of this refrigerator, remove the door/door seals and door latch so that small children or animals cannot become trapped inside. Children should be supervised to ensure that they do not play with the appliance.
 - If trapped inside, the child could be injured or suffocate to death.
- Cyclopentane is used in the insulation. The gases in the insulation material require a special disposal procedure. Please contact your local authorities in regard to the environmentally safe disposal of this product.
- Keep all packaging materials well out of the reach of children, as packaging materials can be dangerous to children.
 - If a child places a bag over his or her head, the child could suffocate.

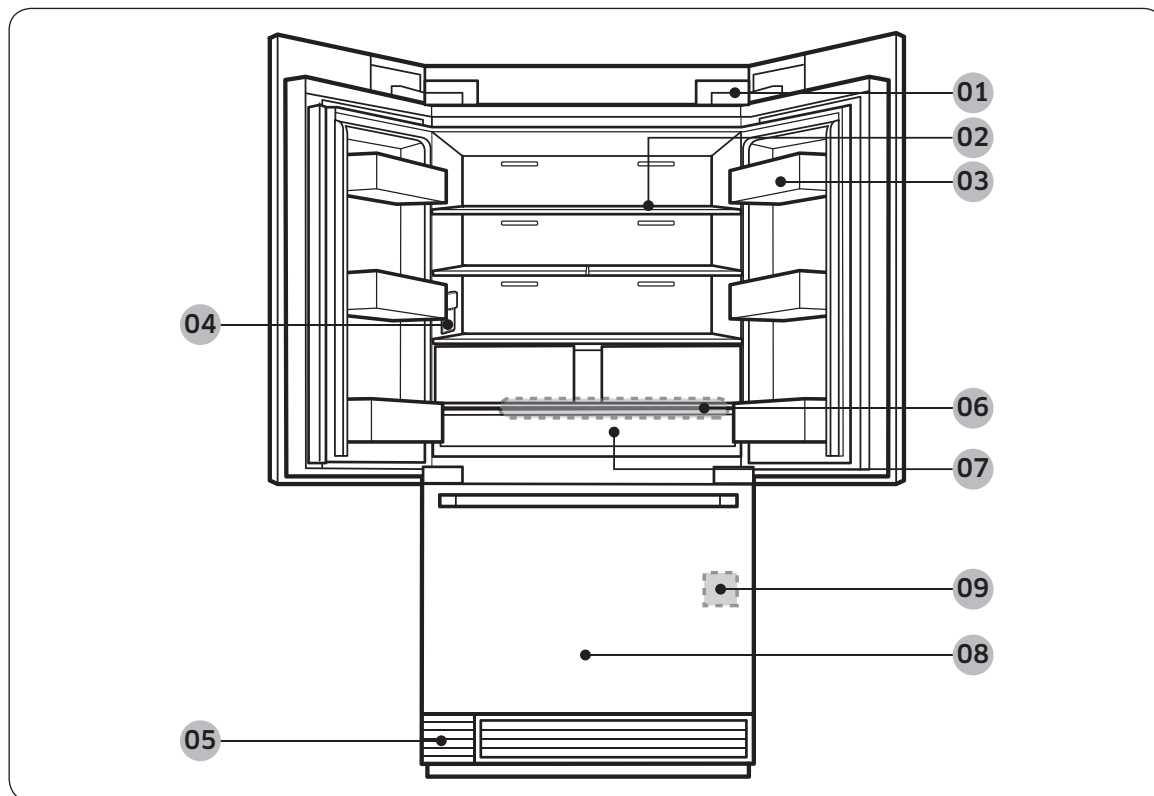
This appliance is intended to be used in household and similar applications such as

- staff kitchen areas in shops, offices and other working environments;
- farm houses and by clients in hotels, motels and other residential type environments;
- bed and breakfast type environments;
- catering and similar non-retail applications.



What's included

Inside Parts, Storage, and Shelving



01 Power switch

03 Door bins

05 Water filter (cover)

07 FreshZone

09 Serial Number (on the Freezer wall)

02 Shelves

04 Water dispenser

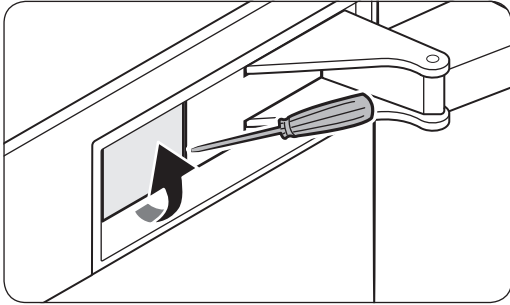
06 Control panel (on FreshZone)

08 Freezer

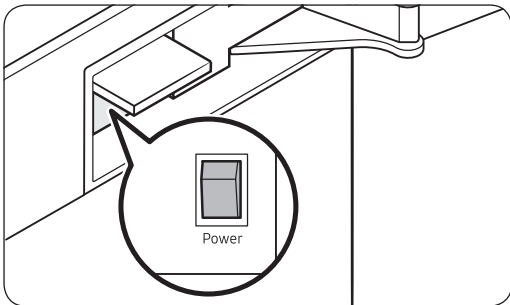
What's included

What's included

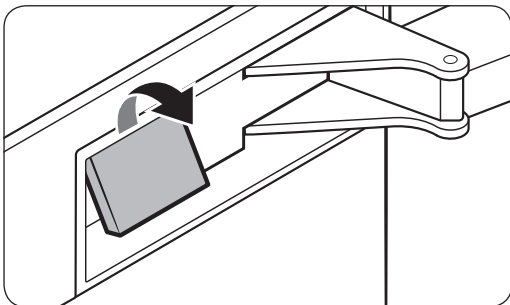
Switch box



- Use a flat head screwdriver to open the switch box cover.



- The black one is the Power switch.

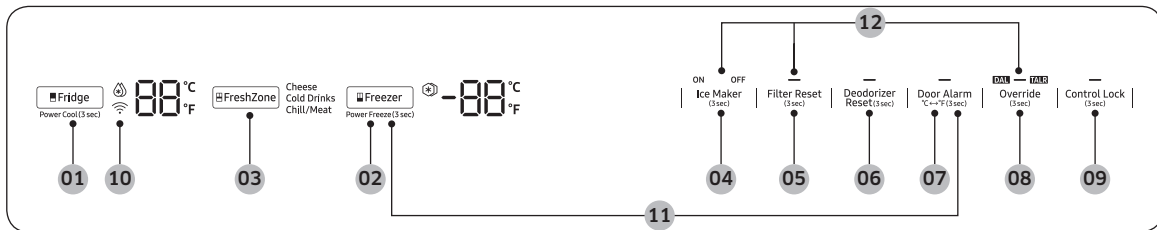


- Close the switch box cover.

What's included

Operations

Control panel



01 Fridge / Power Cool

03 FreshZone

05 Filter Reset

07 Door Alarm / °C ↔ °F

09 Control Lock

11 Sabbath mode

02 Freezer / Power Freeze

04 Ice Maker

06 Deodorizer Reset

08 Override

10 Network connection

12 Cooling Off

NOTE

- When you change the temperature on the panel, the panel displays the actual temperature inside the refrigerator until the temperature matches the temperature you set. Then, the panel displays the new set temperature. Note that it will take time for the refrigerator to reach the new temperature. This is normal. During this time, you need not set the temperature again.
- If no button is input for 10 seconds after Control Lock is deactivated, the display will turn off except for the Control Lock button. To turn the display on, press **Control Lock** again.
- If the control panel has put moisture or liquid on its surface, it may fail. Wipe the moisture or liquid using a dry cloth, and then try again.

Operations

01 Fridge / Power Cool (3 sec)

Fridge	<p>The Fridge button can be used to set the fridge temperature, or to activate/deactivate Power Cool.</p> <p>You can manually adjust the cooling temperature for the fridge. The temperature indicator informs you of the currently set or selected temperature. Keep pressing Fridge to select a desired temperature between 34 °F (1 °C) and 44 °F (7 °C).</p>
Power Cool	<p>Power Cool speeds up the cooling process at maximum fan speed. The fridge keeps running at full speed for several hours and then returns to the previous temperature.</p> <ul style="list-style-type: none"> To activate Power Cool, press and hold Fridge for 3 seconds. The corresponding indicator (🔥) lights up, and the refrigerator will speed up the cooling process for you. To deactivate Power Cool, press and hold Fridge again for 3 seconds. The fridge returns to the previous temperature setting. <p>NOTE</p> <p>Using Power Cool increases power consumption. Make sure you turn it off and return to the previous temperature if you don't intend to use it.</p>

02 Freezer / Power Freeze (3 sec)

Freezer	<p>You can use the Freezer button to set the freezer temperature or to activate/deactivate Power Freeze. To set the freezer temperature, press Freezer repeatedly. Available temperatures are between 5 °F (-15 °C) and -8 °F (-23 °C).</p>
Power Freeze	<p>Power Freeze lowers the freezer temperature and speeds up the freezing process. In Power Freeze mode, the freezer runs at full power for several hours and then returns to normal operation and the previous temperature setting.</p> <ul style="list-style-type: none"> To activate Power Freeze, press and hold Freezer for 3 seconds. The corresponding indicator (❄️) lights up, and the refrigerator speeds up the freezing process for you. To deactivate, press and hold Freezer for 3 seconds again. <p>NOTE</p> <p>Using Power Freeze increases power consumption. If you do not need the Power Freeze function on, make sure you turn it off so that the refrigerator can return to normal operation and the previous temperature setting.</p>

03 FreshZone

The FreshZone is a full-width drawer featuring temperature control. It has a temperature sensor that adjusts the amount of cold air allowed into the zone.

- Press **FreshZone** repeatedly to select a desired mode. By default, Cheese is selected.
- The refrigerator adjusts the temperature in the FreshZone according to the selected mode.

Mode	Description	Examples
Cheese	Select this to keep food fresh for a longer time. The temperature of the FreshZone will be kept around 37 °F (3 °C).	Pineapple, lemon, biscuits, potatoes, cheese
Cold Drinks	Select this to keep drinks cold and refreshing. The temperature of the FreshZone will be kept around 33 °F (1 °C).	Bottled water, juice, soft drinks, beer
Chill/Meat	Select this to keep meat or fish fresh for a longer time. The temperature of the FreshZone will be kept around 29 °F (-1 °C).	Steak, cold cut, bacon, chili dog

CAUTION

- Do not use the FreshZone for storing fruit or leafy vegetables. The food items may suffer cold-temperature damage.
- Do not store glass bottles in the FreshZone in Chill/Meat mode. They may break and cause physical injury.

04 Ice Maker (3 sec)

Ice Maker	To turn the ice maker on, press and hold Ice Maker for more than 3 seconds. The indicator switches to ON. To turn the ice maker off, press and hold Ice Maker for more than 3 seconds again. The indicator switches to OFF.
-----------	--

Operations

05 Filter Reset (3 sec)

Filter Reset	<p>After about 6 months of using the original water filter (which typically amounts to about 300 gallons (1136 liters) of water), the Filter indicator blinks red to remind you that the filter needs to be replaced. When this happens, replace the filter, and then press and hold Filter Reset for 3 seconds. This resets the filter lifecycle detector and turns off the Filter indicator.</p> <p>NOTE</p> <ul style="list-style-type: none">• Some areas have relatively large amounts of lime in their water. This may reduce the lifecycle of the filter. In these areas, you will have to replace the water filter more often than specified above.• If water is not dispensing properly, the water filter is most likely clogged. Even if the Filter indicator is not blinking, replace the water filter.
--------------	---

06 Deodorizer Reset (3 sec)

Deodorizer Reset	<p>After about 18 months of using the original deodorizer filter, the Filter indicator blinks red to remind you that the filter needs to be replaced. If this happens, replace the filter, and press and hold Deodorizer Reset for 3 seconds. The filter lifecycle will be reset and the Filter indicator turns off.</p>
------------------	---

07 Door Alarm / °C ↔ °F (3 sec)

Door Alarm	<p>You can enable or disable the door alarm by pressing Door Alarm. When Door Alarm is enabled and a door is left open for more than 2 minutes, the alarm will sound and the alarm indicator will blink. The Door Alarm function is enabled by factory default.</p>
°C ↔ °F	<p>You can use the Door Alarm button to switch the temperature scale between Celsius and Fahrenheit.</p> <p>To switch the temperature scale, press and hold Door Alarm for 3 seconds.</p>

08 Override (3 sec)

Override	<p>The Override function activates/deactivates Smart Grid.</p> <p>Press Override for 3 seconds to set/clear the Override function.</p>
----------	---

09 Control Lock (3 sec)

Control Lock	To prevent accidental setting changes, press and hold Control Lock for 3 seconds. Main panel will be disabled and the Lock indicator (—) will turn on. If you press and hold the button again for more than 3 seconds, Control Lock will be deactivated. However, Control Lock will be reactivated if no button is input for the next 1 minute.
Device authentication	To authenticate your device, press and hold Control Lock for 5 seconds. A chime sounds with a message of 'on' on the fridge temperature display for 5 seconds.

10 Network connection (applicable models only)

You can control and monitor your refrigerator through the Smarthings app. For more information, see the Smarthings section.

11 Sabbath mode

The Sabbath mode stays active for 85 hours once it is activated. After that, it will be deactivated automatically.

- To activate, press and hold **Freezer** and **Door Alarm** simultaneously for 5 seconds to enter Sabbath mode. Then the refrigerator operates in Sabbath mode where the buttons, the display, and the room lamps are all under control.
- To deactivate, press and hold the buttons again for 5 seconds to exit Sabbath mode.

NOTE

- If the Control Lock indicator turns on, you must first deactivate Control Lock.
- Even after the refrigerator powers off and restarts, the Sabbath mode remains active. To exit, you must deactivate it first.

Operations

12 Cooling Off

Cooling Off mode (also called Shop mode) is designed for use by retailers when they are displaying refrigerators on a retail floor.

In Cooling Off mode, the fan motor and lights operate normally, but the compressors do not run so both the refrigerator and the freezer do not get cold.

- To enter Cooling Off mode, press and hold **Ice Maker**, **Filter Reset**, and **Override** simultaneously for 5 seconds. The refrigerator chime sounds and the temperature display flashes “OFF”.
- To exit Cooling Off mode, press and hold **Ice Maker**, **Filter Reset**, and **Override** simultaneously for 5 seconds again.

NOTE

If the Control Lock indicator turns on, you must first deactivate Control Lock.

Smartthings

Installation

Visit the Google Play Store, Galaxy Apps, or Apple App Store and search for “SmartThings”. Download and install the SmartThings app provided by Samsung Electronics to your smart device.

NOTE

- The SmartThings app is not available for some tablet and iPad and some smartphone.
 - Support that [Android] OS 6.0 or higher. (mimimum 2 GB RAM Size)
 - Support that [iOS] 10.0 or higher/iPhone 6 or higher.
- For improved performance, the SmartThings app is subject to change without notice or discontinued support according to the manufacturer’s policy.
- Recommended encryption systems include WPA/TKIP and WPA2/AES. Any newer or non-standard Wi-Fi authentication protocols are not supported.
- Wireless networks may be affected by the surrounding wireless communication environment.
- If your Internet service provider has registered the MAC address of your PC or modem for identification, your Samsung Smart Refrigerator may fail to connect to the Internet. If this happens, contact your Internet service provider for technical assistance.
- The firewall settings of your network system may prevent your Samsung Smart Refrigerator from accessing the Internet. Contact your Internet service provider for technical assistance. If this symptom continues, contact a local Samsung service center or retailer.



-
- To configure the wireless access point (AP) settings, see the user manual of the AP (router).
 - Samsung Smart Refrigerators support IEEE 802.11 b/g/n (2.4 GHz) protocols. (IEEE 802.11 n is recommended.)
 - Unauthorized Wi-Fi wireless routers may fail to connect to applicable Samsung Smart Refrigerators.

Samsung account

You are required to register your Samsung account to use the app. If you don't have a Samsung account, follow the app's onscreen instructions to create a free Samsung account.

Getting started

Turn on the device you want to connect, open the SmartThings app on your phone, and then follow the instructions below.

If a pop-up appears saying that a new device has been found, tap **ADD NOW**.

If a pop-up doesn't appear, tap the **+** button, and then select the device you want to connect from the list of available devices.

If your device isn't in the list of available devices, tap **Supported Devices**, select the device type (Refrigerator), and then select the specific device model.

Follow the instructions in the app to set up your device. Once setup is complete, your refrigerator will appear as a "card" on your **Devices** screen.

Refrigerator app

Integrated control

You can monitor and control your refrigerator at home and on the go.

- Tap the refrigerator icon on the SmartThings Dashboard or tap the Devices icon at the bottom of the Dashboard, and then tap the refrigerator "card" to open the Refrigerator page.
- Check the operation status or notifications related to your refrigerator, and then change options or settings if necessary.

NOTE

Some options or settings of the refrigerator may not be available for remote control.



Operations

Category	Item	Description
Monitoring	Fridge temperature	Displays the current temperature setting of the fridge.
	Freezer temperature	Displays the current temperature setting of the freezer.
	FreshZone settings	Displays the settings of the FreshZone.
	Self Check	Detects abnormal operations of the refrigerator.
	Energy monitoring	Checks the accumulated power consumption of the refrigerator for the last 180 days.
Functions	Ice making	You can turn the ice making function on or off, and check the current settings of the function.
		You can also check the status and progress of ice making.
	Power Cool	You can turn Power Cool on or off, and check the current settings.
Power Freeze	You can turn Power Freeze on or off, and check the current settings.	
Alarms	Abnormally high temperature	This alarm is triggered when the fridge, the freezer, or the FreshZone has abnormally high temperatures.
	Door opening	This alarm is triggered if the fridge or freezer door, or the FreshZone drawer is left open for a specific time.
	Deodorizer filter replacement (applicable models only)	This alarm reminds you that the deodorizer filter must be replaced.
	Water filter replacement	This alarm reminds you that the water filter must be replaced.
Shopping List		You can create and edit a shopping list to your needs.



SMART GRID Function (Demand Response)

When the refrigerator operates in SMART GRID (Demand Response) mode, the Energy Management Refrigerator function can control energy usage or delay the operation of some functions to save money when energy prices or demand are the highest.

NOTE

- You can deactivate the SMART GRID (Demand Response) function at any time using the Override On/Off function.
- To use the SMART GRID (Demand Response) function, you need a separate contract with your electric utility company.

In addition, to use the Smart Grid (Demand Response) function, you must register for the service with your electric company. The company must have an EMS (Energy Management System) that supports SEP (Smart Energy profile).

Using the SMART GRID (Demand Response) Function

This feature monitors energy prices and demand information from your utility company and sends notifications to the refrigerator to run high energy consuming tasks during off-peak times when electricity costs and demand are lower.

If the refrigerator receives a control signal from the utility company, the refrigerator will display the **DAL** (L3) ~ **TALR** (L4) levels on the refrigerator display and control the power consumption according to the level.

[Exception condition] The **DAL** and **TALR** control signals from a utility company work as long as product performance is maintained.

If the refrigerator receives the SMART GRID (Demand Response) signal (**DAL** or **TALR**), the refrigerator will operate in Delay Appliance Load (Display: Turn on “**DAL**” icon) or Temporary Appliance Load Reduction (Display: Turn on “**TALR**” icon) mode.

- Delay Appliance Load (L3): The refrigerator responds to a **DAL** signal by providing a moderate load reduction for the duration of the delay period. This function controls functions that consume a lot of energy such as adjusting the Cooling system, running the defrost cycle, and making ice.
 - When the refrigerator operates in **DAL** (L3) mode, turn on the “**DAL**” icon on the refrigerator display.
 - **DAL** mode is automatically deactivated after it lasts for the amount of time stipulated by the **DAL** signal (max. 4.5 hours) or when the Override key is pressed.



Operations

- Temporary Appliance Load Reduction (L4): The refrigerator responds to a **TALR** signal by aggressively reducing the load for a short time period. This function reduces energy consumption by stopping the compressor and controlling the functions that consume a lot of energy such as the defrost cycle and making ice.
 - When the refrigerator operates in **TALR** (L4) mode, turn on the “**TALR**” icon on the refrigerator display.
 - **TALR** (L4) mode is automatically deactivated after it lasts for the received duration (max. 15 minutes), or when the Override key is pressed. The mode is immediately deactivated and the refrigerator returns to the normal state when the door is opened or closed, or the dispenser is used.

To check the MAC address

1. In this mode, the MAC address appears on the temperature panel (on both the freezer and the fridge sections of the panel) sequentially for 1 minute.
Press and hold both **Freezer** and **Fridge** for 6 seconds. The temperature panel blinks. Then, press **Freezer** again to display the MAC address. The fridge beeps.
2. For example, if the MAC address is “11-22-33-44-55-66”, the temperature panel displays the address for 1 minute in this sequence: “-- / --” → “11 / 22” → “33 / 44” → “55 / 66” → “-- / --”.
After the 1 minute, the MAC address disappears and the temperature panel returns to the normal state.

NOTE

The temperature panel displays “-- / --” for an unknown MAC address or if a Wi-Fi connection is not established or is lost.

Override Mode

When you want the refrigerator to ignore the SMART GRID (Demand Response) signal from the utility company, you can activate **OVERRIDE** mode.

When you activate **OVERRIDE** mode, the refrigerator ignores the SMART GRID (Demand Response) signal and is not controlled by the utility company.

Activating and deactivating Override mode

1. Press and hold **Override** for 3 seconds.
2. A chime sounds and ‘Or’ and ‘on’ is displayed in the fridge and freezer temperature displays for 5 seconds.
3. If the refrigerator receives a SMART GRID (Demand Response) signal from the utility company, ‘Or’ is displayed in the freezer temperature display.
4. To deactivate **OVERRIDE** mode, press and hold **Override** for 3 seconds.
5. A chime sounds and ‘Or’ and ‘oF’ is displayed on the fridge and freezer temperature displays for 5 seconds.

NOTE

- Alternatively, you can activate or deactivate OVERRIDE mode using the Smartthings app and the Energy Management function. See the next page.

Using the Energy Management Function

The Energy Management function enables you to control and monitor your Energy Management refrigerator using the Smartthings app for your convenience.

NOTE

- To use the Energy Management refrigerator functions, you have to install the corresponding app first.
1. Operational Status, User Settings & Messages
 - You can view the freezer and fridge temperature settings.
 - You can receive an alarm when the freezer or fridge door is open for 2 minutes.
 - You can check the DR and Override status.
 - You can check the operational condition of the ice maker in the freezer.
 2. Remote Management
 - Power Freeze Setting: You can remotely activate the Power Freeze function.
 - Power Cool Setting: You can remotely activate the Power Cool function.
 - Ice On/Off Setting: You can remotely set up the Ice On/Off Setting function. You can only control the Ice maker in the freezer remotely.
 3. Energy Consumption Reporting
 - Shows the accumulated power consumption. Power consumption data is updated every 10 minutes.

NOTE

The energy consumption report may differ from the power consumption specifications of the product depending on the operating environment and the stored food.

4. Delay Defrost Capability
 - The Delay Defrost Capability function saves energy by delaying the defrost operation to a time specified by the user. You can configure the time, and this function will save energy during the specified period in a 24 hour cycle. If the time is not set, the function works with the default time settings. The default time settings are below:
 - 6 am to 10 am: 1st. November ~ 30th. April
 - 3 pm to 7 pm: 1st. May ~ 31th. October

To change the time setting for the Delay Defrost Capability

You can change the time setting for the Delay Defrost Capability on the app.

Operations

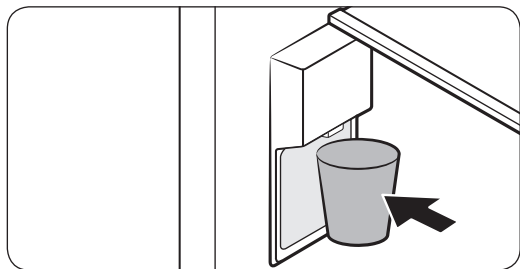
Provision for Open Access to the Connected Product Requirements

1. SGIP Open Standards (Smart Energy Profile 2.0 - <http://www.csep.org/>)
 - Energy Consumption Reporting
 - Demand Response
2. Samsung OPEN API
 - Operational Status, User Settings & Messages
 - ICE Maker Status: GET /icemaker/status/vs/0
 - Door Open Alarm: GET /doors/vs/0
 - DR Status: GET /drlc/vs/0
 - Delay Defrost Capability
 - Set Schedule of the Defrost Delay: POST /defrost/reservation/vs/0?op=add
 - Get Schedule of the Defrost Delay : GET /defrost/reservation/vs/0
 - Delete Schedule of the Defrost Delay: POST /defrost/reservation/vs/0?op=remove
 - Defrost Delay On/OFF: POST /defrost/delay/vs/0

Special features

Water dispenser

The dispenser lets you conveniently enjoy chilled water.



To dispense chilled water, put a water glass on the dispenser lever and push it. Chilled water will be dispensed from the dispenser.

CAUTION

- For first-time use or after you have replaced the water filter, dispense 3 gallons of water (for about 6 minutes) to remove impurities from the water line beforehand.
- If you are going for a business trip or leave home for an extended period of time, shut off the water supply to the refrigerator and close the water valve. This will help prevent an accidental leak.

NOTE

- To prevent spills, wait a second before removing the glass after dispensing. Then, the dispenser lever returns to its position.
- The dispenser will stop dispensing if you keep pushing the dispenser lever for about 1 minute. To dispense more water, release and push the lever again.
- Make sure the glass is in line with the dispenser to prevent the dispensed water from spilling out.

Operations

Ice maker

The refrigerator has a built-in ice maker that automatically dispenses ice.

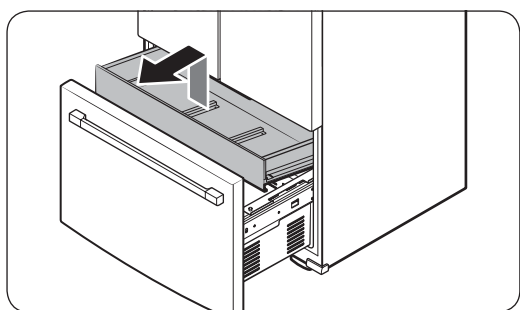
Ice making

After you have installed your refrigerator and plugged it in, follow these instructions to ensure proper ice making and to keep the ice bucket full of ice:

For first-time use

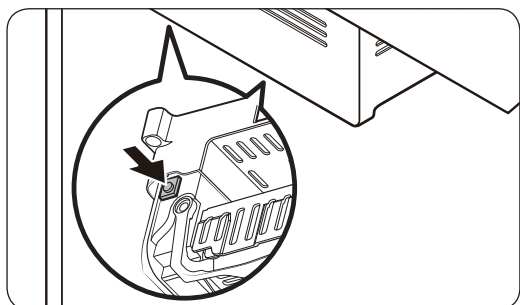
- Let the ice maker make ice for 1-2 days.
- Discard the first 1-2 buckets of ice to remove impurities in the water supply system.

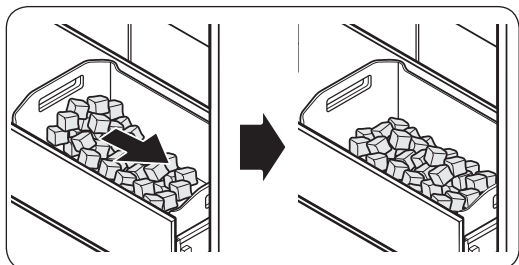
Diagnosis



If ice does not dispense, first check the status of the ice maker using the blue-siliconized Test button on the side of the ice maker.

1. See the figure and remove the marked drawer for easy access to the Test button.
2. Press **Test** on the side of the ice maker. You will hear a chime (ding-dong) when you press the button.
3. You will hear another chime if the ice maker is operating properly.





NOTE

- Ice accumulating on one side of the tray is normal. Arrange the ice evenly in the tray to store more ice.

CAUTION

- Leaving the water line disconnected may cause the water valve to produce a buzzing sound over time. If this is the case, make sure to turn the ice making function off.
- If the ice making chime rings repeatedly, contact the waterline installer or a local Dacor service center.
- Do not press **Test** repeatedly after the ice tray is filled with ice or water. Water may overflow or ice may jam.
- Do not put food in the ice bucket. The frozen food may damage the ice maker, especially when you open or close the door.
- When the refrigerator recovers power after a power failure, the ice bucket may contain a mix of melted and jammed ice cubes, which can prevent the ice maker from working properly. To prevent this, make sure to empty the ice bucket before using the refrigerator.
- Do not put fingers or any objects into the ice maker. This can cause physical injury or property damage.
- Due to sublimation, ice stored in the freezer for a long time gets smaller and then forms large ice chunks. Therefore, if it will be a long time before you use ice, turn the ice maker off as follows.
- Use the new hose-sets supplied with the appliance only. Do not re-use an old hose set.

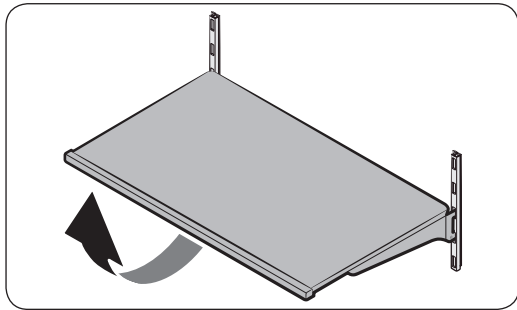
Ice Maker Off

If you press and hold **Ice Maker** for 3 seconds to turn the ice maker off, make sure to remove all ice cubes from the ice bucket. Remaining ice cubes may clump together, making it difficult to remove them.

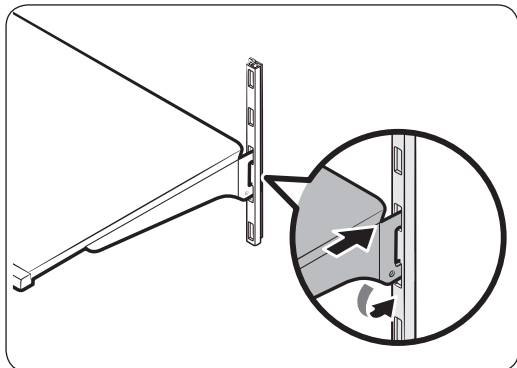
Operations

Handle and care

Tempered glass shelves

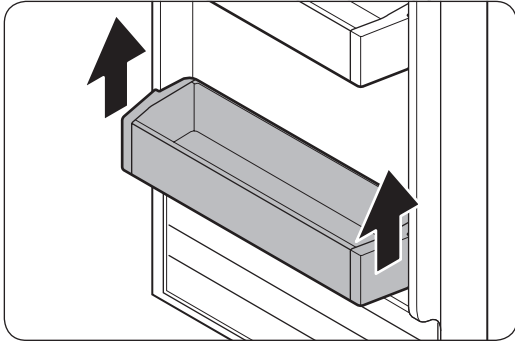


To remove a shelf, fully open the corresponding door. Hold the front of the shelf, and then gently lift up and slide out.



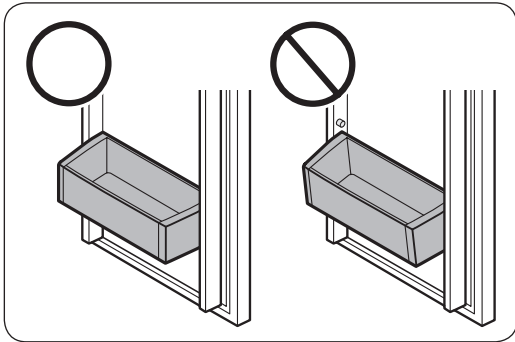
To reinsert, hold the shelf at an angle so the front is higher than the back, and then insert the top hook into the top shelf notch. Then, lower the shelf and insert the bottom shelf hook into the bottom shelf notch.

Door bins



To remove, lift up the door bin, and then pull out straight.

The door bin may not move well at first-time use. If this is the case, remove the inner cap of the door first, and then try again.

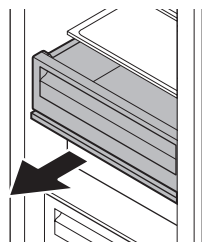


⚠ CAUTION

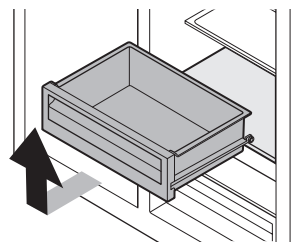
The door bin has 4 fitting holes, 2 for each side. When reinserting the door bin, make sure the 2 holes on one side of the door bin fit into 2 guiding fittings on the corresponding side of the door. In short, 4 holes of the door bin fit in 4 fittings of the door. Otherwise, the door bin cannot be inserted level.

Drawers

To remove, gently lift up the front of the drawer and slide out. We recommend that you remove the door bins before removing the drawer. This is to prevent damage to the door bins.



Pulling the Drawers



Removing the Drawers

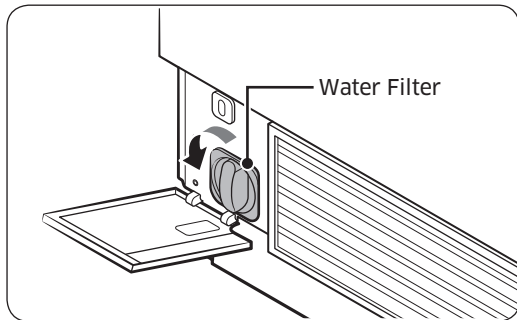
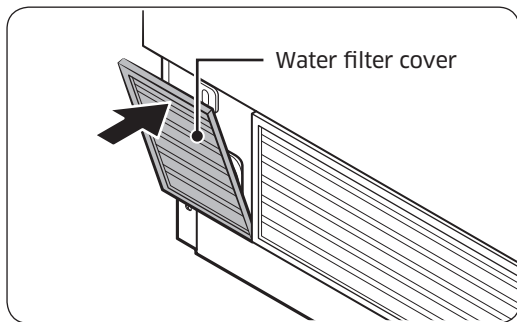
Operations

Replacement

Water filter

WARNING

- Do not use third-party water filters. Use only Samsung-provided or -approved filters.
 - Unapproved filters may leak and damage the freezer, causing electric shock. Dacor is not responsible for any damage that may occur from use of third-party water filters.
- The filter indicator (—) turns red to let you know it is time to replace the water filter. Before replacing the filter, make sure the water supply line is shut off.



1. Open up the Water Filter cover on the left bottom of the freezer.
2. Turn the dispenser filter counter clockwise to remove.
3. Replace with a new dispenser filter.
4. Close the Water Filter cover.
5. Press and hold **Filter Reset** on the feature panel for 3 seconds to reset the life cycle detector. The filter indicator (—) turns off.
6. When you are done replacing the filter, open the water valve and run water through the dispenser for about 7 minutes. This is to remove impurities and air from the water line.

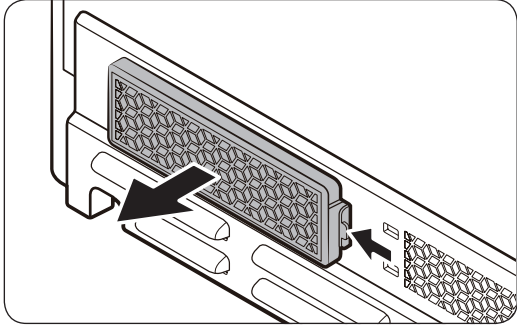
NOTE

- A newly installed filter may cause the water dispenser to spurt water briefly. This is because air has entered the waterline.
- The replacement process may cause the water dispenser to drip for a short period of time. If it drips, simply wipe up any water on the floor with a dry towel.

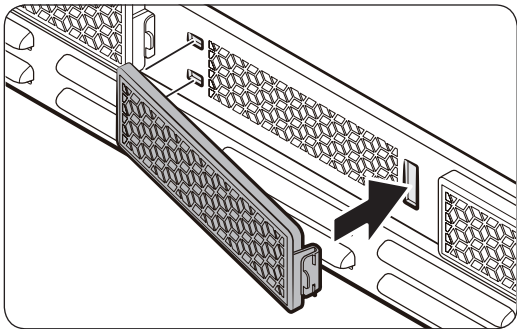
Ordering a new filter

To purchase a new water filter, contact a local service agent or Dacor Customer Service at (800) 793-0093.

Deodorizer filter



To remove, take out the FreshZone drawer first to reveal the filter on the rear wall. Hold down the tabs of the filter to unlock and remove.



To insert, insert the rear of the filter first, and then push the front to lock into position.

NOTE

The lifecycle of the deodorizer filter is 18 months, which differs depending on the use conditions. You can purchase a new filter at a local Dacor service center.

LED Lights

To replace the LED lights on the refrigerator, contact a local service agent. Contact Dacor Customer Service at (800) 793-0093.

WARNING

The LED lights are not user-serviceable. Do not attempt to replace an LED light yourself. This can cause electric shock.

Care and Maintenance

Cleaning

WARNING

- Do not use benzene, thinner, or home/car detergent such as Clorox™ for cleaning. They may damage the surface of the refrigerator and cause a fire.
- Do not spray water onto the refrigerator. This may cause electric shock.
- Do not put fingers or any objects into the dispenser outlet.

Regularly use a dry cloth to remove all foreign substances such as dust or water from the power plug terminals and contact points.

1. Power off the refrigerator.
2. Use a moistened, soft, lint-free cloth or paper towel to clean the refrigerator's interior and exterior.
3. When done, use a dry cloth or paper towel to dry well.
4. Power on the refrigerator.

Troubleshooting

Before calling for service, review the checkpoints below. Any service calls regarding normal situations (No Defect Cases) will be charged to users.

General

Temperature

Symptom	Possible causes	Solution
Fridge/freezer does not operate. Fridge/freezer temperature is warm.	<ul style="list-style-type: none"> Power cord is not plugged in properly. 	<ul style="list-style-type: none"> Properly plug in the power cord.
	<ul style="list-style-type: none"> Temperature control is not set correctly. 	<ul style="list-style-type: none"> Set the temperature lower.
	<ul style="list-style-type: none"> Refrigerator is located near a heat source or direct sunlight. 	<ul style="list-style-type: none"> Keep the refrigerator away from direct sunlight or a heat source.
	<ul style="list-style-type: none"> Not enough clearance between refrigerator and sides/rear. 	<ul style="list-style-type: none"> Make sure there are at least 5 cm from the rear and sides.
	<ul style="list-style-type: none"> The refrigerator is overloaded. Food is blocking the refrigerator vents. 	<ul style="list-style-type: none"> Do not overload the refrigerator. Do not allow food to block ventilation.
Fridge/freezer is over-cooling.	<ul style="list-style-type: none"> Temperature control is not set correctly. 	<ul style="list-style-type: none"> Set the temperature higher.

Odors

Symptom	Possible causes	Solution
Refrigerator has odors.	<ul style="list-style-type: none"> Spoiled food. 	<ul style="list-style-type: none"> Clean the refrigerator and remove any spoiled food. The lifecycle of the deodorizer filter is 18 months, which differs depending on the use conditions.
	<ul style="list-style-type: none"> Food with strong odors. 	<ul style="list-style-type: none"> Make sure strong smelling food is wrapped airtight.

Troubleshooting

Frost

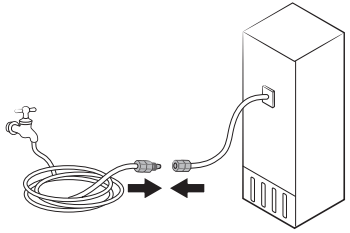
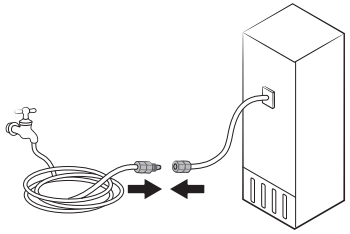
Symptom	Possible causes	Solution
Frost around the vents.	<ul style="list-style-type: none"> Food is blocking the vents. 	<ul style="list-style-type: none"> Make sure no food blocks the refrigerator vents.
Frost on interior walls.	<ul style="list-style-type: none"> Door is not closed properly. 	<ul style="list-style-type: none"> Make sure food does not block the door. Clean the door gasket.

Condensation

Symptom	Possible causes	Solution
Condensation forms on the interior walls.	<ul style="list-style-type: none"> If door is left open, moisture enters the refrigerator. 	<ul style="list-style-type: none"> Remove the moisture and do not open the door for a long time.
	<ul style="list-style-type: none"> Food with high moisture content. 	<ul style="list-style-type: none"> Make sure food is wrapped airtight.

Water/ice (dispenser models only)

Symptom	Possible causes	Solution
Water flow is weaker than normal.	<ul style="list-style-type: none"> Water Pressure is too low. 	<ul style="list-style-type: none"> Make sure the water pressure is between 30 to 120 psi (207 to 827 kPa).
Ice maker makes a buzzing sound.	<ul style="list-style-type: none"> The ice maker function is activated, but the water supply to the refrigerator has not been connected. 	<ul style="list-style-type: none"> Press and hold Ice Maker for 3 seconds to turn the ice maker off.
Ice maker does not make ice.	<ul style="list-style-type: none"> Ice maker has just been installed. 	<ul style="list-style-type: none"> You must wait for 12 hours until the refrigerator makes ice.
	<ul style="list-style-type: none"> Ice maker is off. 	<ul style="list-style-type: none"> Turn on the ice maker.

Symptom	Possible causes	Solution
Ice does not dispense.	<ul style="list-style-type: none"> Ice may jam if the ice dispenser is not used for a long time (approx. 3 weeks). 	<ul style="list-style-type: none"> If you won't be using the refrigerator for a long time, empty the ice bucket and turn off the ice maker.
	<ul style="list-style-type: none"> Ice bucket is not properly inserted. 	<ul style="list-style-type: none"> Make sure the ice bucket is properly inserted.
	<ul style="list-style-type: none"> Water line is not connected properly or water supply is not on. 	<ul style="list-style-type: none"> Check the water installation conditions. 
Water does not dispense.	<ul style="list-style-type: none"> Water line is not connected properly or water supply is not on. 	<ul style="list-style-type: none"> Check the water installation conditions. 
	<ul style="list-style-type: none"> Do not use third-party water filters. 	<ul style="list-style-type: none"> Use only Samsung-provided or approved filters. Unapproved filters may leak and damage the refrigerator.
	<ul style="list-style-type: none"> Water filter indicator turns on or blinks. 	<ul style="list-style-type: none"> Replace the water filter. After replacing, reset the filter indicator sensor.

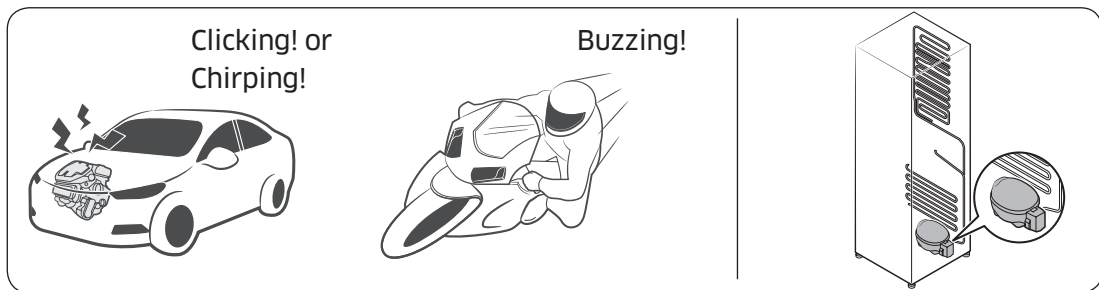
Troubleshooting

Do you hear abnormal sounds from the refrigerator?

Before calling for service, review the checkpoints below. Any service calls related to normal sounds will be charged to the user.

These sounds are normal.

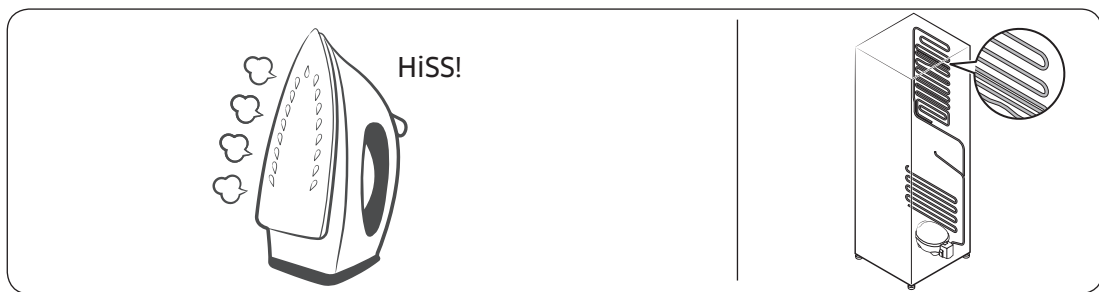
- When starting or ending an operation, the refrigerator may make sounds similar to a car engine igniting. As the operation stabilizes, the sounds will decrease.



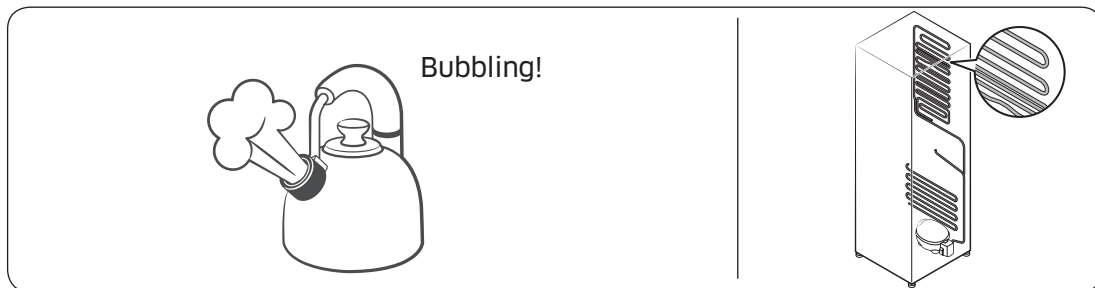
- While the fan is operating, these sounds may occur. When the refrigerator reaches the set temperature, no fan sound will occur.



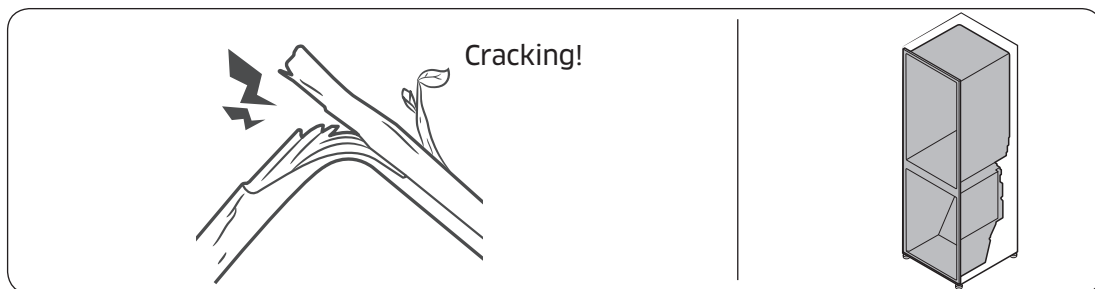
- During a defrost cycle, water may drip on the defrost heater, causing sizzling sounds.



- As the refrigerator cools or freezes, refrigerant gas moves through sealed pipes, causing bubbling sounds.



- As the refrigerator temperature increases or decreases, plastic parts contract and expand, creating knocking noises. These noises occur during the defrosting cycle or when electronic parts are working.



- For ice maker models: When the water valve opens to fill the ice maker, buzzing sounds may occur.
- Due to pressure equalizing when opening and closing the refrigerator door, whooshing sounds may occur.

Troubleshooting

Smartthings

Symptom	Action
Could not find "SmartThings" in the app market.	<ul style="list-style-type: none"> The SmartThings app is not available for some tablet and iPad and some smartphone. <ul style="list-style-type: none"> - support that [Android] OS 6.0 or higher(minimum 2GB RAM Size) - support that [iOS]10.0 or higher/iPhone6 or higher.
The SmartThings app fails to operate.	<ul style="list-style-type: none"> The SmartThings app is available for applicable models only. The old Samsung Smart Refrigerator app cannot connect with Samsung Smart Home models.
The Smartthings app is installed but is not connected to my refrigerator.	<ul style="list-style-type: none"> You must log into your Samsung account to use the app. Make sure that your router is operating normally. If the Wi-Fi icon on the refrigerator's display is off, this indicates that no network connection has been established yet. In this case, use the Smartthings app to connect and register your refrigerator to the access point (AP) of your house.
Could not log into the app.	<ul style="list-style-type: none"> You must log into your Samsung account to use the app. If you don't have a Samsung account, follow the app's onscreen instructions to create one.
An error message appears when I try to register my refrigerator.	<ul style="list-style-type: none"> Easy Connection may fail due to the distance from your access point (AP) or electrical interference from the surrounding environment. Wait a moment and try again.
The Smartthings app is successfully connected to my refrigerator but does not run.	<ul style="list-style-type: none"> Exit and restart the Smartthings app, or disconnect and reconnect the router. Power off the refrigerator, and then power it on again after 1 minute.

Smart Grid

Symptom	Action
What Do I Need to use the Energy Management and Smart Grid functions?	<ul style="list-style-type: none"> To use the Smart Grid (Demand Response) and Energy Management function on your Refrigerator, you need the following devices and apps: <ul style="list-style-type: none"> - Devices: 1) A Wireless Router, 2) A Smartthings Refrigerator, 3) A Smartphone. (Recommended: Android OS Jelly Bean or later version) - Applications: 1) "Smartthings App" from the Goolge Play Store. You also need to: <ul style="list-style-type: none"> • Connect the Refrigerator and the Smartphone to the same Wi-Fi network in your home. • Install and run the Smartthings App on your Smartphone. • In addition, to use the Smart Grid (Demand Response) function, you must Register for the service with your electric company. The company must have an EMS (Energy Management System) that supports SEP (Smart Energy profile).
Why isn't the Energy Management function working normally?	<ul style="list-style-type: none"> • Confirm that the router in your home and the internet are working properly. <ul style="list-style-type: none"> - Connect a Smartphone to the router (AP, Access Point), and then confirm that you can browse the Internet on the phone. • Confirm that refrigerator is connected to the AP. <ul style="list-style-type: none"> - Check for Wi-Fi icon on the panel of the refrigerator. If the refrigerator is connected, the icon will be on. • Confirm that the refrigerator and Smartphone are connected to the same router.

Troubleshooting

Symptom	Action
Why isn't the Delay Defrost Capability working normally?	<ul style="list-style-type: none">• Confirm that the router in your home and the Internet are working properly.• Connect a Smartphone to the router (AP, Access Point), and then confirm that you can browse the Internet on the phone.• Confirm that the rear where you live is properly entered into the Smartthings App.• Confirm that the Smart Grid function works correctly. (Check the control panel. The DAL or TALR icon should not be displayed on the panel.)

Warranty and Service

Customer Service

Before you request help or schedule service:

1. Try the Solutions offered in the Problem–Solution table in the "Troubleshooting" section.
2. Become familiar with the warranty terms and conditions of your product.
3. If none of these tips or suggestions resolves your problem, call our Customer Service center at the number below.

Dacor's Customer Service center is available 6:00 a.m. to 5:00 p.m. Pacific Time.

For warranty repairs or questions and for Dacor Distinctive Service (DDS) in the US and Canada

Phone: (800) 793-0093

For non-warranty repairs or questions in the US and Canada

Phone: (800) 793-0093, extension 2813

Contact us through our website at:

www.dacor.com

Warranty

What is Covered

CERTIFICATE OF WARRANTY ON
DACOR REFRIGERATOR

WITHIN THE FIFTY STATES OF THE U.S.A., THE DISTRICT OF COLUMBIA AND CANADA:
FULL TWO-YEAR WARRANTY

The warranty applies to only the Dacor appliance that was sold to the first-use purchaser.

Warranty is also valid on products purchased brand new from a Dacor Authorized Dealer or other seller authorized by Dacor.

Starting from the date of original retail purchase receipt or closing date for new construction, whichever period is longer.

- 60-day Cosmetic
- 2-Year Full Warranty
- 6-Year Sealed System Warranty: Parts/Labor
- 12-Year Sealed System Warranty: Parts only
- 15-Year Compressor Warranty: Parts only

Warranty and Service

Water filter: For 30 days from the date of purchase, if the filter is operated and maintained according to instructions attached to or furnished with the product, Dacor will pay for replacement parts to correct defects in materials and workmanship.

Except as noted above, consumable parts such as filters and light bulbs are not covered and are the responsibility of the purchaser.

LIMITED WARRANTY

In three to six years after the date of purchase, when this refrigerator is used and maintained according to the instructions or care guide that came with the product, Dacor will pay for factory specified parts and repair labor costs to correct defects in materials or workmanship in the sealed refrigeration system. These parts are: the compressor, evaporator, condenser, dryer and connecting tubing.

In seven to twelve years after the date of purchase, when this refrigerator is used and maintained according to the instructions or care guide that came with the product, Dacor will pay for factory specified parts for the following components to correct defects in materials or workmanship in the sealed refrigeration system that existed when this major appliance was purchased: the compressor, evaporator, condenser, dryer and connecting tubing.

In thirteen to fifteen years after the date of purchase, when this refrigerator is used and maintained according to the instructions or care guide that came with the product, Dacor will pay for factory specified parts for the compressor to correct defects in materials or workmanship that existed when this major appliance was purchased.

LIMITATIONS OF COVERAGE

Service will be provided by a Dacor designated service company during regular business hours. Please note service providers are independent entities and are not agents of Dacor.

Dealer displays and model home displays with a production date longer than 5 years, products sold "As-Is," and products installed for non-residential use, which include but not limited to religious organizations, fire stations, bed and breakfast, and spas, carry a one-year parts warranty only. All delivery, installation, labor costs, and other service fees are the responsibility of the purchaser.

The owner must provide proof-of-purchase or a closing statement for new construction upon request. All Dacor products must be accessible for service. All cosmetic damage (such as scratches on stainless steel, paint/ porcelain blemishes, etc.) to the product or included accessories must be reported to Dacor within 60 days of the original purchase date to qualify for warranty coverage.

Warranty will be null and void on product that has altered, defaced, or missing serial numbers and tags.

Warranty is null and void if non-CSA approved product is transported from the U.S.A.

OUTSIDE THE FIFTY STATES OF THE U.S.A., THE DISTRICT OF COLUMBIA, AND CANADA:

LIMITED FIRST YEAR WARRANTY

If your Dacor product fails to function within one year of the original date of purchase due to a defect in material or workmanship, Dacor will furnish a new part, F.O.B. factory to replace the defective part.

All delivery, installation, labor costs, and other service fees are the responsibility of the purchaser.

What is Not Covered

- Slight color variations may be noticed because of differences in painted parts, kitchen lighting, product placement, and other factors; this warranty does not apply to color variation.
- Service calls to educate the customer on proper use and care of the product.
- Service fees for travel to islands and remote areas, which include but are not limited to, ferries, toll roads, or other travel expenses.
- Consequential or incidental damage, including but not limited to: food or medicine loss, time away from work, or restaurant meals.
- Failure of the product when used for commercial, business, rental, or any application other than for residential consumer use.
- Failure of the product caused by improper product installation.
- Replacement of house fuses, fuse boxes, or resetting of circuit breakers.
- Damage to the product caused by accident, fire, flood, power interruption, power surges, or acts of God.
- Liability or responsibility for damage to surrounding property including cabinetry, floors, ceilings and other structures or objects around the product.
- Breakage, discoloration or damage to glass, metal surfaces, plastic components, trim, paint, or other cosmetic finish caused by improper usage, care, abuse, or neglect.

Out-of-Warranty

Should you experience a service issue beyond the standard warranty period, please contact us.

Dacor reviews each issue and customer concern to provide the best possible solution based on the circumstances.

Warranty and Service

THE REMEDIES PROVIDED IN THE ABOVE EXPRESS WARRANTIES ARE THE SOLE AND EXCLUSIVE REMEDIES. THEREFORE, NO OTHER EXPRESS WARRANTIES ARE MADE, AND OUTSIDE THE FIFTY STATES OF THE UNITED STATES, THE DISTRICT OF COLUMBIA AND CANADA, ALL IMPLIED WARRANTIES, INCLUDING BUT NOT LIMITED TO, ANY IMPLIED WARRANTY OF MERCHANTABILITY OR FITNESS FOR A PARTICULAR USE OR PURPOSE, ARE LIMITED IN DURATION TO ONE YEAR FROM THE DATE OF ORIGINAL PURCHASE. IN NO EVENT SHALL DACOR BE LIABLE FOR INCIDENTAL EXPENSE OR CONSEQUENTIAL DAMAGES. IN THE EVENT DACOR PREVAILS IN ANY LAWSUIT, DACOR SHALL BE ENTITLED TO REIMBURSEMENT OF ALL COSTS AND EXPENSES, INCLUDING ATTORNEY'S FEES, FROM THE DACOR CUSTOMER. NO WARRANTIES, EXPRESS OR IMPLIED, ARE MADE TO ANY BUYER FOR RESALE.

Some states do not allow limitations on how long an implied warranty lasts, or do not allow the exclusion or limitation of inconsequential damages, therefore the above limitations or exclusions may not apply to you. This warranty gives you specific legal rights, and you may also have other rights that vary from state-to-state.

Open Source Announcement

The software included in this product contains open source software.

The following URL http://opensource.samsung.com/opensource/SMART_TP2_0/seq/0 leads to open source license information as related to this product.



Regulatory Notice

FCC Notice

FCC CAUTION:

Any changes or modifications not expressly approved by the party responsible for compliance could void the user's authority to operate the equipment.

Contains Transmitter Module FCC ID: A3LCWAP210M

This device complies with Part 15 of FCC Rules. Operation is Subject to the following two conditions:

- (1) This device may not cause harmful interference, and
- (2) This device must accept any interference received including interference that cause undesired operation.

For products available in the US and Canadian markets, only channels 1~11 are available. You cannot select other channels.

FCC STATEMENT:

This equipment has been tested and found to comply within the limits for a Class B digital device, pursuant to part 15 of the FCC Rules. These limits are designed to provide reasonable protection against harmful interference in a residential installation.

This equipment generates, uses, and can radiate radio frequency energy and, if not installed and used in accordance with the instructions, may cause harmful interference to radio communications. However, there is no guarantee that interference will not occur in a particular installation. If this equipment does cause harmful interference to radio or television reception, which can be determined by turning the equipment off and on, the user is encouraged to try to correct the interference by one or more of the following measures:

- Reorient or relocate the receiving antenna
- Increase the separation between the equipment and receiver
- Connect the equipment to an outlet that is on a different circuit than the receiver.
- Consult the dealer or an experienced radio/TV technician for help.

FCC RADIATION EXPOSURE STATEMENT:

This equipment complies with FCC radiation exposure limits set forth for an uncontrolled environment.

This equipment should be installed and operated so there is at least 8 inches (20 cm) between the radiator and your body. This device and its antennas must not be co-located or operated in conjunction with any other antenna or transmitter except in accordance with FCC multi-transmitter product procedures.

IC Notice

Contains Transmitter Module IC: 649E-CWAP210M

The term “IC” before the radio certification number only signifies that Industry Canada technical specifications were met. Operation is subject to the following two conditions : (1) this device may not cause interference, and (2) this device must accept any interference, including interference that may cause undesired operation of the device.

This Class B digital apparatus complies with Canadian ICES-003.

Cet appareil numérique de la classe B est conforme à la norme NMB-003 du Canada.

For products available in the US and Canadian markets, only channels 1~11 are available. You cannot select other channels.

IC RADIATION EXPOSURE STATEMENT:

This equipment complies with IC RSS-102 radiation exposure limits set forth for an uncontrolled environment. This equipment should be installed and operated so there is at least 8 inches (20 cm) between the radiator and your body. This device and it's antennas must not be co-located or operated in conjunction with any other antenna or transmitter except in accordance with FCC multi-transmitter product procedures.

SAVE THESE INSTRUCTION

Memo

Memo



DA68-03574H-00

dacor[®]

Dacor • 14425 Clark Avenue, City of Industry, CA 91745 • Phone: (800) 793-0093 • Fax: (626) 403-3130 • www.dacor.com



dacor[®]

Manual del usuario

Refrigerador incorporado
DRF36*





Contenido

Información importante	5
Antes de comenzar	5
Información sobre seguridad	6
Símbolos y advertencias de seguridad importantes:	7
Advertencia sobre la State of California Proposition 65 (solo EE.UU.)	7
Señales de advertencia importantes para el transporte y el emplazamiento	7
Advertencias muy importantes para la instalación	8
Precauciones para la instalación	10
Advertencias muy importantes para el uso	11
Precauciones de uso	14
Precauciones para la limpieza	15
Advertencias muy importantes para la eliminación de residuos	16
Este electrodoméstico está diseñado para uso doméstico y en lugares como	16
Elementos incluidos	17
Partes internas, almacenamiento y estantes	17
Funcionamiento	19
Panel de control	19
Smartthings	24
Función SMART GRID (respuesta a la demanda)	27
Funciones especiales	31
Manipulación y cuidado	34
Reemplazo	36
Cuidado y mantenimiento	38
Limpieza	38



Solución de problemas	39
<hr/>	
General	39
¿Se oyen ruidos anómalos procedentes del refrigerador?	42
Smartthings	44
Smart Grid	45
Garantía y servicio	47
<hr/>	
Atención al cliente	47
Garantía	47
Aviso de código abierto	51
<hr/>	
Aviso regulatorio	52
<hr/>	
Aviso de la FCC (Federal Communications Commission)	52
Aviso de la IC	53



Estimado cliente:

Felicitaciones por haber adquirido este vanguardista producto Dacor®. Nuestra excepcional combinación de funciones, estilo y rendimiento nos convierten en The Life of the Kitchen™ y una excelente incorporación a su hogar.

Para familiarizarse con los controles, las funciones y el completo potencial de su nuevo electrodoméstico Dacor, lea detenidamente este manual de uso y cuidado, comenzando por la sección **Instrucciones importantes de seguridad**.

Todos los electrodomésticos Dacor se han diseñado y fabricado con la calidad y el orgullo que determina el marco de valores de nuestra empresa. Si se produjera algún problema con el producto, consulte en primer lugar la sección Solución de problemas de este manual. En ella encontrará sugerencias y soluciones útiles que puede seguir antes de llamar al servicio técnico.

La valiosa opinión de los clientes nos ayuda a mejorar constantemente nuestros productos y servicios, y por ello le rogamos que contacte con nuestro Servicio de atención al cliente siempre que necesite asistencia con alguno de sus productos.

Dacor Customer Service Team
14425 Clark Avenue
City of Industry, CA 91745

Teléfono: (800) 793-0093
Fax: (626) 403-3130
Horario: De lunes a viernes de 6:00 a.m. a 5:00 p.m. Hora del Pacífico
Sitio web: www.Dacor.com

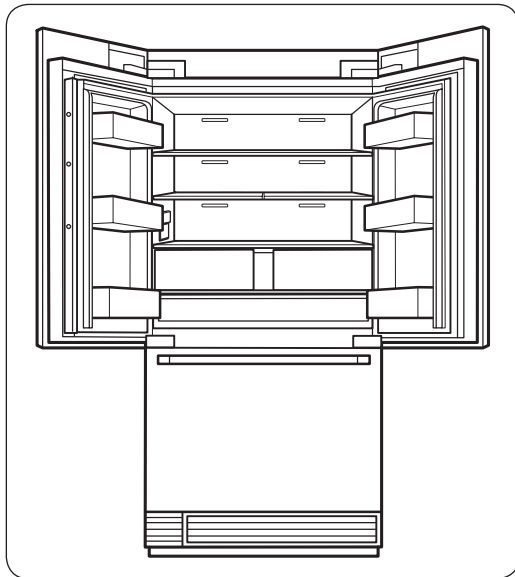
Gracias por elegir Dacor para su hogar. Somos una empresa formada por familias y para familias, y nuestra misión es servirlos. Estamos seguros de que su nuevo producto Dacor le ofrecerá un alto nivel de rendimiento y disfrute por muchos años.

Atentamente,

The Dacor Customer Service Team

Información importante

Antes de comenzar



Instalador

- Conserve las instrucciones de uso y cuidado junto con el electrodoméstico.

Cliente

- Lea este manual de uso y cuidado en su totalidad antes de utilizar el refrigerador. Guárdelo para futura referencia.

Conserve el recibo de compra o el cheque cancelado. Se requiere la prueba de compra original con fecha para recibir el servicio de garantía.

Tenga a mano la identificación completa del modelo y el número de serie.

Estos números se encuentran en una etiqueta en la pared interna del refrigerador. Escriba estos números a continuación para que pueda disponer de ellos fácilmente.

Número de modelo	
Número de serie	
Fecha de compra	

Mejoramos continuamente la calidad y el rendimiento de nuestros productos y es posible que realicemos cambios en el electrodoméstico sin actualizar el manual. Visite www.dacor.com para descargar la última versión de este manual.

Servicio de atención al cliente de Dacor

Teléfono: (800) 793-0093 (EE.UU. y Canadá) Lunes – Viernes 6:00 a.m. a 5:00 p.m. Hora del Pacífico

Sitio web: www.dacor.com



Información sobre seguridad

- Antes de utilizar su nuevo refrigerador Dacor, lea detenidamente este manual a fin de aprender a usar las funciones que ofrece de manera segura y eficiente.
- Este electrodoméstico no debe ser utilizado por personas (incluidos niños) con capacidades mentales, sensoriales o físicas reducidas, o por personas que carezcan de experiencia y de conocimientos, a menos que se encuentren bajo supervisión o hayan recibido las instrucciones de uso por parte de un responsable de su seguridad. Se deberá vigilar a los niños para asegurarse de que no jueguen con el electrodoméstico.
- Debido a que las siguientes instrucciones corresponden a diversos modelos, es posible que las características de su refrigerador difieran ligeramente de las que se describen en este manual.
- Es peligroso que una persona que no sea un técnico de servicio autorizado realice tareas de reparación en este aparato.
- Si el refrigerante sale por los tubos, podría incendiarse o dañar los ojos. Si hay pérdida de refrigerante del tubo, manténgalo alejado de las llamas, aparte cualquier material inflamable del producto y ventile la habitación inmediatamente.
 - No seguir esta recomendación puede causar un incendio o una explosión.

ADVERTENCIA

- Se utiliza R-600a como refrigerante. Este producto contiene gas inflamable (Refrigerante R-600a), comuníquese con las autoridades locales para desechar este producto en forma segura.
- Para evitar la creación de una mezcla de gas-aire inflamable en caso de una pérdida en el circuito del refrigerante, las dimensiones de la ubicación en la que se coloca el refrigerador dependen de la cantidad de refrigerante utilizado. El lugar debe tener 35.3 ft³ por cada 8 g de refrigerante R-600a en el electrodoméstico.
- La ubicación de instalación no debe estar expuesta a la luz solar directa ni cerca de ningún electrodoméstico o fuente de calor, tales como estufas, hornos u hornillas, radiadores, etc.
- Si coloca dos productos uno junto al otro, por razones de seguridad, asegúrese de utilizar productos certificados en atmósferas de gas explosivos.
- Nunca debe poner en marcha un electrodoméstico que presente signos de haber sido dañado. Si tiene alguna inquietud, consulte a su distribuidor.



Advertencia: Riesgo de incendio/materiales inflamables





Símbolos y advertencias de seguridad importantes:

Sírvase seguir todas las instrucciones de seguridad del presente manual. En el presente manual se utilizan los siguientes símbolos de seguridad.

ADVERTENCIA

Riesgos o prácticas inseguras que pueden causar lesiones personales graves, daños a la propiedad y/o incluso la muerte.

PRECAUCIÓN

Riesgos o prácticas inseguras que pueden causar lesiones personales graves y/o daños materiales.

NOTA

Información útil que ayuda a los usuarios a comprender u obtener beneficios del refrigerador.

Estas señales de advertencia se incluyen aquí para evitar que usted o terceros sufran lesiones.

Sígalas atentamente.

Después de leer esta sección, consérvela en un lugar seguro para referencia futura.

Advertencia sobre la State of California Proposition 65 (solo EE.UU.)

ADVERTENCIA: Cáncer y afecciones reproductivas - www.P65Warnings.ca.gov.

Señales de advertencia importantes para el transporte y el emplazamiento

ADVERTENCIA

- Al transportar e instalar el electrodoméstico deberá tener cuidado de no dañar ninguna de las piezas del circuito del refrigerante.
 - La pérdida de refrigerante del tubo podría incendiarse o dañar los ojos. Si se detecta una fuga, manténgalo alejado de las llamas o de posibles fuentes de inflamación y ventile durante varios minutos el ambiente en el que se encuentra la unidad.
 - El electrodoméstico contiene una pequeña cantidad de refrigerante de isobutano (R-600a), un gas natural con alta compatibilidad ambiental, no obstante también inflamable. Al transportar e instalar el electrodoméstico deberá tener cuidado de no dañar ninguna de las piezas del circuito del refrigerante.





Información sobre seguridad

Advertencias muy importantes para la instalación

ADVERTENCIA

- No instale el refrigerador en un lugar húmedo o donde pueda entrar en contacto con agua.
 - El aislamiento deficiente de las piezas eléctricas puede provocar una descarga eléctrica o un incendio.
- No exponga este refrigerador a la luz solar directa ni al calor de estufas, calefactores u otros electrodomésticos.
- No enchufe varios electrodomésticos en la misma toma múltiple. El refrigerador debe conectarse siempre a un tomacorriente individual cuyo voltaje nominal coincida con el que se especifica en la placa de voltaje del refrigerador.
 - De esta manera se obtiene el mejor desempeño y también se evita que se sobrecarguen los circuitos del cableado de la casa, lo que podría sobrecalentar los cables y provocar un riesgo de incendio.
- Si el tomacorriente está flojo, no conecte el enchufe.
 - Existe el riesgo de que se produzca una descarga eléctrica o un incendio.
- No utilice un cable de alimentación que esté dañado o gastado en su extensión o en cualquiera de los extremos.
- No doble excesivamente el cable de alimentación ni coloque objetos pesados sobre él.
- No tire del cable de alimentación ni lo doble excesivamente.
- No retuerza ni amarre el cable de alimentación.
- No coloque el cable de alimentación sobre un objeto metálico; no coloque sobre él ningún objeto pesado; no lo coloque entre objetos ni lo empuje hacia el espacio que hay detrás del electrodoméstico.
- Nunca desenchufe el refrigerador jalando el cable de alimentación. Siempre sostenga el enchufe con firmeza y jale para extraerlo del tomacorriente.
 - Los daños al cable pueden provocar un cortocircuito, un incendio o una descarga eléctrica.
- No almacene sustancias explosivas como latas de aerosoles con gases propelentes inflamables en este electrodoméstico.
- No instale este electrodoméstico cerca de calefactores o materiales inflamables.
- No instale este electrodoméstico en un lugar donde pueda haber fugas de gas.
 - Esto podría causar una descarga eléctrica o un incendio.
- Antes de usarse, el refrigerador debe ubicarse e instalarse de manera apropiada de acuerdo con las instrucciones de este manual.
- Conecte el enchufe en la posición correcta con el cable colgando hacia abajo.
 - Si conecta el enchufe al revés, el cable puede cortarse y provocar un incendio o una descarga eléctrica.
- Asegúrese de que el enchufe no esté aplastado ni haya sido dañado por la parte posterior del refrigerador.



- Mantenga los materiales de empaque fuera del alcance de los niños.
 - Existe el riesgo de muerte por asfixia si un niño se coloca los materiales de empaque en la cabeza.
- El electrodoméstico debe colocarse de manera tal que se pueda acceder al enchufe después de la instalación.
 - No seguir esta recomendación puede causar una descarga eléctrica o un incendio debido a una fuga de electricidad.
- No instale este electrodoméstico en un lugar húmedo, engrasado o sucio, o en un sitio con exposición directa al sol o al agua (lluvia).
 - El aislamiento deficiente de las piezas eléctricas puede provocar una descarga eléctrica o un incendio.
- Si ingresaran grandes cantidades de polvo o agua al refrigerador, apague el interruptor de encendido y comuníquese con el Centro de Servicio de Dacor.
 - Si no lo hace, existe el riesgo de que se produzca un incendio.
- Es necesario quitar toda la película plástica protectora antes de enchufar el producto por primera vez.
- Se deberá vigilar a los niños para asegurarse de que no jueguen con los anillos elásticos utilizados para el ajuste de la puerta o con las grapas del tubo de agua.
 - Existe riesgo de muerte por asfixia si un niño se traga un anillo elástico o una grapa del tubo de agua. Mantenga los anillos elásticos y las grapas del tubo de agua fuera del alcance de los niños.
- El refrigerador debe estar conectado a tierra de manera segura.
 - Siempre asegúrese de haber conectado el refrigerador a tierra antes de intentar examinar o reparar alguna pieza. Las fugas de energía pueden provocar una descarga eléctrica grave.
- Nunca utilice como conexión a tierra tubos de gas, líneas telefónicas ni otras posibles fuentes de atracción de rayos.
 - El refrigerador debe estar conectado a tierra para evitar cualquier fuga de energía o descarga eléctrica provocada por fugas de corriente del refrigerador.
 - Esto podría causar descargas eléctricas, incendios, explosiones o problemas con el producto.
 - El uso inapropiado de la conexión a tierra puede traer como consecuencia un riesgo de descarga eléctrica. Si necesita usar un cable de extensión, use solo uno de tres hilos con un enchufe que tenga una tercera punta para el polo a tierra; la toma de corriente deberá tener 3 ranuras para adaptarse al enchufe del electrodoméstico. La potencia indicada en el cable de extensión debe ser CA 115-120 V, 10 A o superior. Si se utiliza un adaptador de tierra, asegúrese de que el receptáculo esté conectado correctamente a tierra.
- Conecte bien el enchufe al tomacorriente. No utilice enchufes o cables de alimentación dañados ni enchufes de pared flojos.
 - Esto podría causar una descarga eléctrica o un incendio.
- Si el cable de alimentación está dañado, solicite su reemplazo de inmediato al fabricante o a uno de los agentes de servicio técnico.



Información sobre seguridad

- Únicamente un técnico calificado o compañía de reparaciones debe estar autorizado para cambiar el fusible del refrigerador.
 - No seguir esta recomendación, podría causar una descarga eléctrica o lesiones.
- Debe poder accederse a la toma de pared con facilidad para que el electrodoméstico pueda desenchufarse rápidamente en caso de emergencia. Debe encontrarse fuera de la zona trasera del electrodoméstico.
- Cuando instale el electrodoméstico, asegúrese de que el cable de alimentación no esté atrapado ni dañado.
- No ubique varias regletas de tomacorrientes portátiles o unidades de alimentación móviles en la parte trasera del electrodoméstico.
- Mantenga las aberturas de ventilación del gabinete o estructura incorporada del electrodoméstico libres de obstrucciones.
- Conéctelo solamente a un suministro de agua potable.
- Para evitar riesgos por inestabilidad del electrodoméstico, debe instalarse de acuerdo con las instrucciones.

Precauciones para la instalación

PRECAUCIÓN

- Deje espacio suficiente alrededor del refrigerador e instálelo sobre una superficie plana.
 - Mantenga libre de obstáculos el espacio de ventilación en el gabinete o la estructura de montaje del electrodoméstico.
- Una vez que haya instalado el refrigerador y lo haya encendido, permita que funcione durante 2 horas antes de cargarlo con alimentos.
- Se recomienda que el refrigerador sea instalado por un técnico calificado o una compañía de servicios.
 - No seguir esta recomendación puede causar descargas eléctricas, incendios, explosiones, problemas con el producto o lesiones.
- Sobrecargar una de las puertas puede ocasionar la caída del refrigerador y provocar lesiones personales.



Advertencias muy importantes para el uso

ADVERTENCIA

- No conecte el enchufe en un tomacorriente con las manos mojadas.
 - Esto podría causar una descarga eléctrica.
- No coloque objetos en la parte superior de la unidad.
 - Cada vez que abra o cierre la puerta, estos podrían caerse y provocar lesiones personales o daños materiales.
- No coloque las manos, los pies ni objetos metálicos (como palillos chinos, etc.) en la parte inferior o posterior del refrigerador.
 - Esto podría causar una descarga eléctrica o lesiones personales.
 - Algunos bordes filosos podrían provocar lesiones personales.
- No toque las paredes internas del congelador ni los productos almacenados en este con las manos mojadas.
 - Esto puede provocar quemaduras por frío.
- No coloque un recipiente con agua sobre el refrigerador.
 - Si se derrama, existe el riesgo de que se produzca un incendio o una descarga eléctrica.
- No almacene sustancias u objetos volátiles o inflamables (benceno, solvente, gas propano, alcohol, éter, gas LP ni cualquier otro producto de este tipo) en el refrigerador.
 - Este refrigerador se debe utilizar solo para almacenar alimentos.
 - Esto podría causar un incendio o una explosión.
- Se deberá vigilar a los niños para asegurarse de que no jueguen con el electrodoméstico.
 - Aleje los dedos de los puntos de agarre y de las bisagras de las puertas. Cierre las puertas con cuidado si hay niños cerca.
- No permita que los niños se cuelguen de la puerta ni de los compartimientos de la puerta. Pueden producirse lesiones graves.
- No permita que los niños ingresen al refrigerador. Podrían quedar atrapados.
- No coloque las manos debajo del electrodoméstico.
 - Es posible que algunas puntas filosas le provoquen lesiones.
- No almacene en el refrigerador productos farmacéuticos, materiales científicos ni productos sensibles a la temperatura.
 - No se deben almacenar productos que requieran controles estrictos de temperatura.
- No coloque ni utilice aparatos eléctricos dentro del refrigerador/congelador, a menos que sean del tipo recomendado por el fabricante.
- En caso de sentir olor a humo, apague el interruptor de encendido de inmediato y comuníquese con el Centro de Servicio de Dacor.
- Si ingresaran grandes cantidades de polvo o agua al refrigerador, apague el interruptor de encendido y comuníquese con el Centro de Servicio de Dacor.
 - Si no lo hace, existe el riesgo de que se produzca un incendio.



Información sobre seguridad

- No permita que los niños se paren sobre un cajón.
 - El cajón se puede romper y los niños pueden caerse.
- No deje las puertas del refrigerador abiertas si el refrigerador no está siendo vigilado y no permita que los niños ingresen en el refrigerador.
- No permita que los bebés ni los niños ingresen al cajón.
 - Esto puede provocar muerte por asfixia debido al encierro o lesiones personales.
- No sobrecargue el refrigerador con comida.
 - Cuando abra la puerta, algún elemento podría caerse y provocar lesiones personales o daños materiales.
- No pulverice material volátil, tal como un insecticida, sobre la superficie del electrodoméstico.
 - Además de ser perjudicial para los seres humanos, puede causar una descarga eléctrica, un incendio o problemas con el producto.
- Nunca coloque los dedos ni otros objetos en el orificio del dispensador de agua, en el recipiente de hielo o en la cubeta de la fábrica de hielo.
 - Esto puede provocar lesiones personales o daños materiales.
- No utilice ni coloque ninguna sustancia sensible a la temperatura, tales como pulverizadores inflamables, objetos inflamables, hielo seco, medicamentos o productos químicos, cerca o dentro del refrigerador.
- No utilice un secador de cabello para secar el interior del refrigerador. No coloque velas encendidas en el refrigerador para eliminar los malos olores.
 - Esto podría causar una descarga eléctrica o un incendio.
- Llene el tanque de agua, la charola para el hielo solamente con agua potable (agua de la llave, agua mineral o agua purificada).
 - No llene el tanque con té, jugo ni bebidas isotónicas. Pueden dañar el refrigerador.
- No utilice dispositivos mecánicos ni cualquier otro medio para acelerar el proceso de descongelamiento que no sean aquellos recomendados por el fabricante.
- No dañe el circuito del refrigerante.
- No coloque el estante del refrigerador al revés. El tope del estante no funcionará.
 - El estante de vidrio puede caerse y provocar lesiones.
- Si se detecta una fuga de gas, evite las llamas o posibles fuentes de ignición y ventile durante varios minutos la habitación en la que se encuentra el electrodoméstico.
 - No toque el electrodoméstico ni el cable de alimentación.
 - No utilice un ventilador.
 - Una chispa puede provocar una explosión o un incendio.
- Utilice solamente lámparas LED proporcionadas por el fabricante o sus agentes de servicio técnico.
- Las botellas se deben almacenar una junto a otra de manera tal que no se tumben ni se caigan.
- Este producto se debe utilizar solo para almacenar alimentos en un entorno doméstico.



- Nunca coloque los dedos ni otros objetos en el orificio del dispensador de agua, en el recipiente de hielo o en la cubeta de la fábrica de hielo.
 - Puede provocar lesiones personales o daños materiales.
- No intente reparar, desensamblar ni modificar el refrigerador por su cuenta.
 - Las modificaciones que no han sido autorizadas pueden provocar problemas de seguridad. Para revertir una modificación no autorizada, cobraremos el costo completo de las piezas y mano de obra.
- No utilice ningún fusible (tales como los de alambres de acero, de cobre, etc.) que no sea un fusible estándar.
- Si es necesario reparar o volver a instalar el refrigerador, comuníquese con su Centro de Servicio más cercano.
 - No seguir esta recomendación puede causar una descarga eléctrica, un incendio, problemas con el producto o lesiones.
- Si la lámpara LED interior o exterior se ha apagado, comuníquese con su Centro de Servicio Dacor más cercano.
- En caso de sentir olor a quemado o a humo en el refrigerador, desenchúfelo de inmediato y comuníquese con un Centro de Servicio Dacor.
 - No seguir esta recomendación podría causar una descarga eléctrica o un incendio.
- Desenchufe el refrigerador antes de cambiar las lámparas internas.
 - Si no lo hace, existe el riesgo de que se produzca una descarga eléctrica.
- Si le resulta difícil cambiar una luz que no sea de LED, comuníquese con un Centro de Servicio de Dacor.
- Si el producto cuenta con lámparas LED, no desensamble las cubiertas de la lámpara y las lámparas LED usted mismo.
 - Comuníquese con un Centro de Servicio Dacor.
- Conecte bien el enchufe al tomacorriente.
- No utilice enchufes o cables de alimentación dañados ni enchufes de pared flojos.
 - Esto podría causar una descarga eléctrica o un incendio.



Información sobre seguridad

Precauciones de uso

PRECAUCIÓN

- No vuelva a congelar alimentos que se hayan descongelado completamente. No coloque bebidas carbonatadas o con gas en el compartimiento del congelador. No coloque botellas ni recipientes de vidrio en el congelador.
 - Cuando el contenido se congela, el vidrio puede romperse y provocar lesiones personales.
- Utilice solamente la fábrica de hielo del refrigerador.
- Para obtener el mejor desempeño del producto:
 - No coloque alimentos muy cerca de las rejillas de ventilación en la parte posterior del refrigerador, ya que pueden obstruir la libre circulación del aire en el compartimiento del refrigerador.
 - Envuelva los alimentos adecuadamente o colóquelos en recipientes herméticos antes de almacenarlos en el refrigerador.
 - No coloque botellas de vidrio ni bebidas carbonatadas en el congelador. Si se congelan, pueden romperse. Los recipientes de bebidas rotos pueden provocar lesiones personales.
 - Cumpla con los tiempos máximos de almacenamiento y las fechas de vencimiento de los alimentos congelados.
- No coloque recipientes ni botellas de vidrio ni bebidas carbonatadas en el congelador.
 - El recipiente puede congelarse y romperse, y esto puede ocasionar lesiones.
- Garantía de servicio y modificación.
 - El servicio de garantía de Dacor no cubre los cambios o las modificaciones realizadas por un tercero a este electrodoméstico; Dacor tampoco es responsable de los problemas relacionados con la seguridad que puedan surgir a causa de modificaciones hechas por terceros.
- No obstruya las rejillas de ventilación dentro del refrigerador.
 - Si las rejillas de ventilación están tapadas, en particular con una bolsa de plástico, el refrigerador se puede sobrecongelar.
- Si se desconecta el refrigerador del suministro de energía, espere al menos cinco minutos antes de volver a enchufarlo.
- Si ingresaran grandes cantidades de agua al refrigerador, apague el interruptor de encendido y comuníquese con un Centro de Servicio de Dacor.
- No golpee ni aplique una fuerza excesiva sobre ninguna superficie de vidrio.
 - Un vidrio roto puede causar lesiones personales o daños materiales.
- Llene el tanque de agua y la charola para el hielo solamente con agua potable (agua de la llave, agua mineral o agua purificada).
 - No llene el tanque con té, jugo ni bebidas isotónicas. Pueden dañar el refrigerador.
- Si el refrigerador se inunda, desconecte la alimentación del refrigerador y comuníquese con el centro de servicios Dacor más cercano.
 - Existe el riesgo de que se produzca una descarga eléctrica o un incendio.



Precauciones para la limpieza

PRECAUCIÓN

- No pulverice con agua directamente dentro o fuera del refrigerador.
 - Existe el riesgo de que se produzca un incendio o una descarga eléctrica.
- No utilice un secador de cabello para secar el interior del refrigerador.
- No coloque velas encendidas en el refrigerador para eliminar los malos olores.
 - Esto podría causar una descarga eléctrica o un incendio.
- No rocíe productos de limpieza directamente sobre el visor.
 - Las letras impresas en el visor pueden borrarse.
- Si ingresara cualquier sustancia extraña, tal como agua, al electrodoméstico, apague el interruptor de encendido y comuníquese con su centro de servicio más cercano.
 - No seguir esta recomendación podría causar una descarga eléctrica o un incendio.
- Use un paño seco y limpio para retirar cualquier sustancia extraña o polvo de las clavijas del enchufe. No utilice un paño mojado ni húmedo para limpiar el enchufe.
 - De lo contrario, existe el riesgo de que se produzca un incendio o una descarga eléctrica.
- No limpie el refrigerador rociando agua directamente sobre él.
- No limpie el refrigerador con benceno, disolvente o Clorox (blanqueador).
 - Pueden dañar la superficie del electrodoméstico y provocar un incendio.
- Nunca coloque los dedos ni otros objetos en la salida del dispensador.
 - Puede provocar lesiones personales o daños materiales.
- Antes de limpiar o realizar el mantenimiento, desenchufe el refrigerador del enchufe de pared.
 - No seguir esta recomendación podría causar una descarga eléctrica o un incendio.



Información sobre seguridad

Advertencias muy importantes para la eliminación de residuos

ADVERTENCIA

- **PELIGRO** : Existe el riesgo de que los niños queden encerrados. Antes de desechar su antiguo refrigerador o congelador:
 - Retire las puertas y los pestillos.
 - Deje los estantes en su lugar de manera tal que los niños no puedan trepar fácilmente.
 - Si algún niño queda atrapado dentro del refrigerador, puede lastimarse o asfixiarse hasta morir.
- Deseche el material de empaque de este producto de forma tal que no resulte nocivo para el medio ambiente.
- Asegúrese de que ninguno de los tubos que se encuentran en la parte trasera del refrigerador estén dañados antes de desecharlos.
- Se utiliza R-600a como refrigerante. Este producto contiene gas inflamable (Refrigerante R-600a), comuníquese con las autoridades locales para desechar este producto en forma segura.
- Cuando deseche este refrigerador, retire los burletes y los pestillos de las puertas de manera tal que los niños pequeños o los animales no puedan quedar atrapados en el interior. Se deberá vigilar a los niños para asegurarse de que no jueguen con el electrodoméstico.
 - Si quedan atrapados dentro, los niños pueden lesionarse o sofocarse hasta morir.
- Se utiliza ciclopentano como aislante. Los gases del material de aislamiento requieren un procedimiento especial para desecharlos. Comuníquese con las autoridades locales para desechar este producto de manera que no resulte nocivo para el medio ambiente.
- Mantenga los materiales de empaque fuera del alcance de los niños, ya que pueden ser peligrosos para ellos.
 - Si un niño se coloca una bolsa en la cabeza, puede asfixiarse.

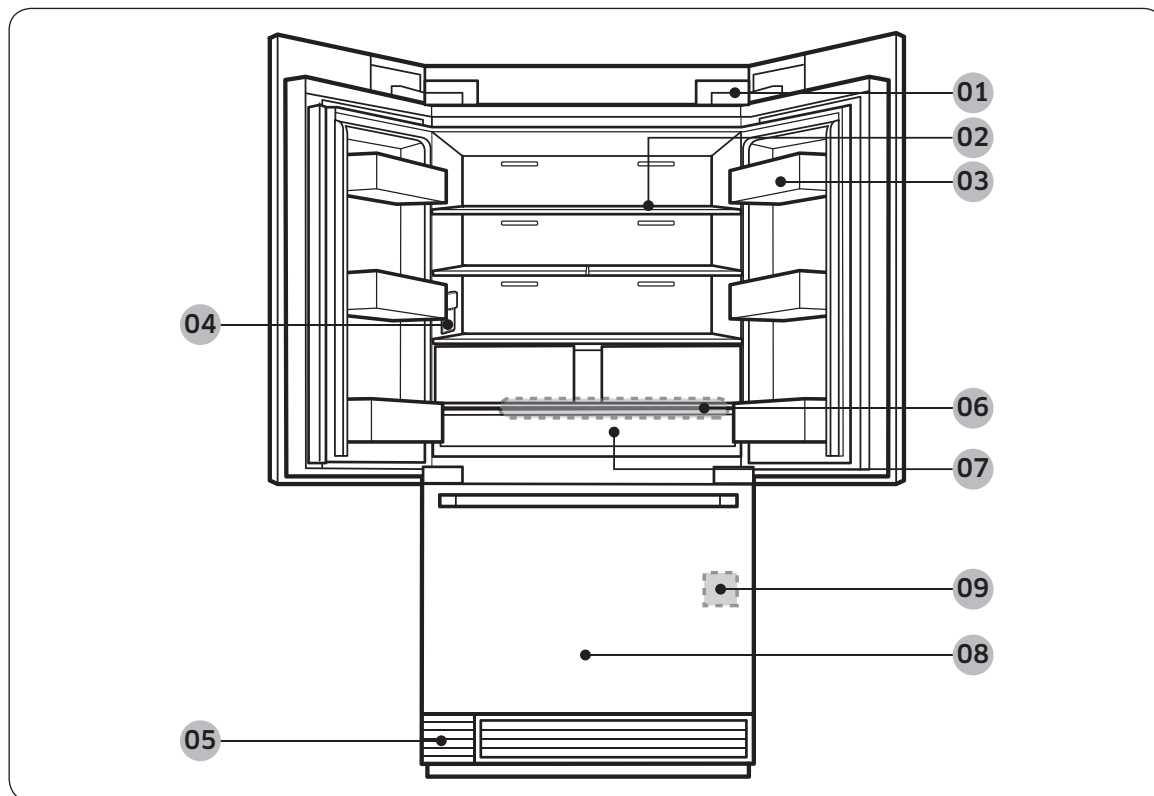
Este electrodoméstico está diseñado para uso doméstico y en lugares como

- zonas de cocina de tiendas, oficinas y otros entornos de trabajo;
- granjas y zonas de uso de los clientes en hoteles, moteles u otros entornos de tipo residencial;
- hospederías;
- banqueterías y eventos en instalaciones no minoristas similares.



Elementos incluidos

Partes internas, almacenamiento y estantes



01 Interruptor de encendido

02 Estantes

03 Compartimientos de las puertas

04 Dispensador de agua

05 Filtro de agua (cubierta)

06 Panel de control (en la Zona fresca)

07 Zona fresca

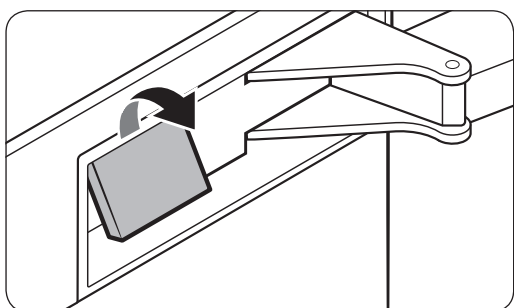
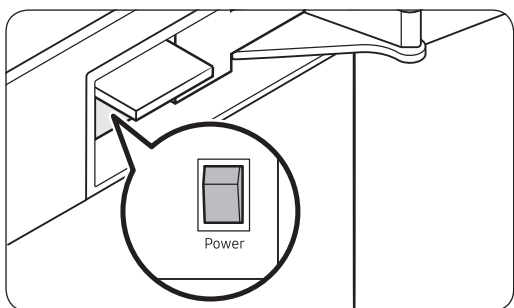
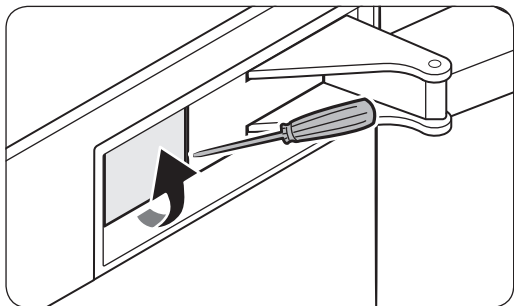
08 Congelador

09 Número de serie (en la pared del congelador)

Elementos incluidos

Elementos incluidos

Caja de conexiones



- Utilice un destornillador de punta plana para abrir la cubierta de la caja de conexiones.
- La conexión negra es el interruptor de encendido.
- Cierre la cubierta de la caja de conexiones.

Funcionamiento

Panel de control




- | | |
|--|---|
| 01 Fridge (Refrigerador) /
Power Cool (Refrigeración rápida) | 02 Freezer (Congelador) /
Power Freeze (Congelación rápida) |
| 03 FreshZone (Zona fresca) | 04 Ice Maker (Fábrica de hielo) |
| 05 Filter Reset (Restablecer filtro) | 06 Deodorizer Reset (Restablecer desodorizador) |
| 07 Door Alarm (Alarma de la puerta) / °C ↔ °F | 08 Override (Anular) |
| 09 Control Lock (Bloqueo del control) | 10 Conexión de red |
| 11 Modo Shabat | 12 Enfriamiento desactivado |

NOTA

- Cuando cambia la temperatura del panel, este muestra la temperatura actual dentro del refrigerador hasta que se alcanza la temperatura que ha configurado. Luego el panel muestra la nueva temperatura configurada. Tenga en cuenta que el refrigerador necesita un tiempo para alcanzar la nueva temperatura. Esto es normal. Durante este tiempo no es necesario restablecer la temperatura.
- Si no se presiona ningún botón durante los 10 segundos siguientes a la desactivación del bloqueo del control, la pantalla se apaga excepto el botón de bloqueo del control. Para encender la pantalla, vuelva a presionar **Control Lock (Bloqueo del control)**.
- Si el panel de control acumula humedad o líquido en la superficie, es posible que no funcione. Seque la humedad o el líquido con un paño seco y vuelva a intentarlo.

Funcionamiento

01 Refrigerador / Refrigeración rápida (3 segundos)

Fridge (Refrigerador)	<p>El botón Fridge (Refrigerador) puede utilizarse para configurar la temperatura del refrigerador o para activar/desactivar la refrigeración rápida.</p> <p>Puede ajustar en forma manual la temperatura de enfriamiento del refrigerador. El indicador de temperatura le informa la temperatura configurada o seleccionada actualmente. Mantenga presionado Fridge (Refrigerador) para seleccionar una temperatura deseada entre 34 °F (1 °C) y 44 °F (7 °C).</p>
Power Cool (Refrigeración rápida)	<p>La refrigeración rápida acelera el proceso de enfriamiento con la velocidad máxima del ventilador. El refrigerador funciona a máxima velocidad durante varias horas antes de volver a la temperatura previa.</p> <ul style="list-style-type: none">• Para activar la refrigeración rápida, mantenga presionado Fridge (Refrigerador) durante 3 segundos. Se enciende el indicador correspondiente (🌡️) y el refrigerador acelerará el proceso de enfriamiento.• Para desactivar la refrigeración rápida, mantenga presionado Fridge (Refrigerador) nuevamente durante 3 segundos. El refrigerador vuelve a la temperatura configurada anteriormente. <p> NOTA</p> <p>Utilizar la refrigeración rápida aumenta el consumo energético. Asegúrese de apagarla y volver a la temperatura anterior si no tiene intenciones de utilizarlo.</p>

02 Congelador / Congelación rápida (3 segundos)

Freezer (Congelador)	<p>Puede usar el botón Freezer (Congelador) para configurar la temperatura del congelador o activar/desactivar la congelación rápida. Para ajustar la temperatura del congelador, presione Freezer (Congelador) repetidamente. Las temperaturas disponibles están entre 5 °F (-15 °C) y -8 °F (-23 °C).</p>
Power Freeze (Congelación rápida)	<p>La congelación rápida baja la temperatura del congelador y acelera el proceso de congelación. En el modo de congelación rápida, el congelador funciona al máximo durante varias horas y regresa al funcionamiento normal a la temperatura establecida anteriormente.</p> <ul style="list-style-type: none">• Para activar la congelación rápida, mantenga presionado Freezer (Congelador) por 3 segundos. Se enciende el indicador correspondiente (❄️) y el refrigerador acelera el proceso de congelación.• Para desactivar, mantenga presionado nuevamente Freezer (Congelador) por 3 segundos. <p> NOTA</p> <p>Utilizar la congelación rápida aumenta el consumo energético. Si no necesita activar la función de congelación rápida, asegúrese de apagarla para que el refrigerador pueda regresar al funcionamiento normal y la temperatura fijada anteriormente.</p>

03 Zona fresca

La Zona fresca es un cajón de ancho completo con control de temperatura. Cuenta con un sensor de temperatura que regula la cantidad de aire frío permitido en esta zona.

- Presione **FreshZone (Zona fresca)** repetidamente hasta seleccionar el modo deseado. De manera predeterminada, se selecciona Quesos.
- El refrigerador regula la temperatura de la Zona fresca de acuerdo con el modo seleccionado.

Modo	Descripción	Ejemplos
Cheese (Quesos)	Seleccione para mantener los alimentos frescos durante más tiempo. La temperatura de la Zona fresca se mantiene a unos 37 °F (3 °C).	Piña, limón, galletas, papas, queso
Cold Drinks (Bebidas frías)	Seleccione para mantener las bebidas frías y refrescantes. La temperatura de la Zona fresca se mantiene a unos 33 °F (1 °C).	Agua embotellada, jugo, refrescos y cervezas
Chill/Meat (Frío/Carne)	Seleccione para mantener la carne o el pescado fresco durante más tiempo. La temperatura de la Zona fresca se mantiene a unos 29 °F (-1 °C).	Bistec, fiambres, tocino, perros calientes con chile

PRECAUCIÓN

- No utilice la Zona fresca para almacenar frutas ni vegetales de hoja. Los alimentos pueden sufrir daños debidos a las bajas temperaturas.
- No almacene botellas de vidrio en la Zona fresca en el modo Frío/Carne. Pueden romperse y causar lesiones físicas.

04 Fábrica de hielo (3 segundos)

Ice Maker (Fábrica de hielo)	Para activar la fábrica de hielo, mantenga presionado Ice Maker (Fábrica de hielo) por más de 3 segundos. El indicador pasa a ON (ACTIVADO). Para desactivar la fábrica de hielo, mantenga presionado nuevamente Ice Maker (Fábrica de hielo) por más de 3 segundos. El indicador pasa a OFF (DESACTIVADO).
------------------------------	--

Funcionamiento

05 Restablecer filtro (3 segundos)

Filter Reset (Restablecer filtro)	<p>Después de 6 meses de utilizar el filtro de agua original (que en general rinde unos 300 galones (1136 litros) de agua), el indicador del filtro titila en rojo para recordarle que debe reemplazarlo.</p> <p>Cuando esto ocurre, reemplace el filtro y luego mantenga presionado Filter Reset (Restablecer filtro) por 3 segundos. Así se restablece el detector de ciclo de vida útil del filtro y se apaga el indicador del filtro.</p> <p>NOTA</p> <ul style="list-style-type: none">• Algunas áreas cuentan con cantidades relativamente elevadas de cal en el agua. Esto puede reducir la vida útil del filtro. Es dichas áreas, deberá reemplazar el filtro de agua con mayor frecuencia que la especificada anteriormente.• Si el agua no se dispensa adecuadamente, es probable que el filtro de agua esté obturado. Incluso si el indicador del filtro no titila, reemplácelo.
--------------------------------------	--

06 Restablecer desodorizador (3 segundos)

Deodorizer Reset (Restablecer desodorizador)	<p>Después de aproximadamente 18 meses de utilizar el filtro desodorizador original, el indicador de filtro titila en rojo para recordarle que debe cambiarlo. Si esto ocurre, reemplace el filtro y luego mantenga presionado Deodorizer Reset (Restablecer desodorizador) durante 3 segundos. La vida útil del filtro se restablecerá y el indicador de filtro se apaga.</p>
---	---

07 Alarma de la puerta / °C ↔ °F (3 segundos)

Door Alarm (Alarma de la puerta)	<p>Puede activar o desactivar la alarma presionando Door Alarm (Alarma de la puerta). Cuando la alarma de la puerta está activada y la puerta queda abierta durante más de 2 minutos, suena la alarma y el indicador titila. La función de alarma de la puerta está activada como valor de fábrica.</p>
°C ↔ °F	<p>Puede utilizar el botón Door Alarm (Alarma de la puerta) para modificar la escala de temperatura de Celsius a Fahrenheit.</p> <p>Para cambiar la escala de temperatura, mantenga presionado el botón Door Alarm (Alarma de la puerta) durante 3 segundos.</p>

08 Anular (3 segundos)

Override (Anular)	<p>La función de anular activa/desactiva Smart Grid.</p> <p>Presione Override (Anular) por 3 segundos para activar/borrar la función de anulación.</p>
-------------------	---



09 Bloqueo del control (3 segundos)

Control Lock (Bloqueo del control)	A fin de evitar el cambio accidental de los valores, mantenga presionado Control Lock (Bloqueo del control) por 3 segundos. El panel principal se desactiva y el indicador de bloqueo (—) se enciende. Si vuelve a mantener presionado el botón por más de 3 segundos, el bloqueo del control se desactiva. No obstante, el bloqueo del control se reactiva si no se toca ningún botón durante 1 minuto.
Autenticación del dispositivo	Para autenticar el dispositivo, mantenga presionado Control Lock (Bloqueo del control) durante 5 segundos. Suena una alarma con el mensaje 'on (activado)' en el panel de temperatura del refrigerador durante 5 segundos.

10 Conexión de red (solo para los modelos correspondientes)

Puede controlar y supervisar su refrigerador mediante la aplicación Smartthings. Para obtener más información, consulte la sección Smartthings.

11 Modo Shabat

El modo Shabat permanece activo por 85 horas una vez activado. Luego, se desactiva automáticamente.

- Para activar, mantenga presionado **Freezer (Congelador)** y **Door Alarm (Alarma de la puerta)** simultáneamente durante 5 segundos para ingresar al modo Shabat. Luego el refrigerador funciona en el modo Shabat, en el que los botones, la pantalla y las luces ambientales están bajo control.
- Para desactivar, mantenga presionados los botones nuevamente durante 5 segundos para salir del modo Shabat.



NOTA

- Si el indicador del bloqueo del control está encendido, antes debe desactivar el bloqueo del control.
- Aunque el refrigerador se apague y se reinicie, el modo Shabat permanece activo. Para salir, antes debe desactivarlo.



Funcionamiento

12 Enfriamiento desactivado

El modo de enfriamiento desactivado (también llamado modo Tienda) está diseñado para que lo usen los distribuidores cuando exhiben los refrigeradores en un comercio.

En el modo de enfriamiento desactivado, el motor del ventilador y las luces funcionan normalmente, pero los compresores no lo hacen, por lo que el refrigerador y el congelador no se enfrían.

- Para ingresar al modo enfriamiento desactivado, mantenga presionados **Ice Maker (Fábrica de hielo)**, **Filter Reset (Restablecer filtro)** y **Override (Anular)** simultáneamente durante 5 segundos. Suena una alarma en el refrigerador y el indicador de temperatura parpadeará en "OFF" (DESACTIVADO).
- Para salir del modo enfriamiento desactivado, mantenga presionados nuevamente **Ice Maker (Fábrica de hielo)**, **Filter Reset (Restablecer filtro)** y **Override (Anular)** simultáneamente durante 5 segundos.

NOTA

Si el indicador del bloqueo del control está encendido, antes debe desactivar el bloqueo del control.

Smartthings

Instalación

Visite Google Play Store, Galaxy Apps o Apple App Store y busque "SmartThings". Descargue e instale la aplicación SmartThings provista por Samsung Electronics en su dispositivo inteligente.

NOTA

- La aplicación SmartThings no está disponible para algunas tabletas e iPad y algunos teléfonos inteligentes.
 - Compatible con sistema operativo [Android] 6.0 o superior. (con un mínimo de 2 GB de RAM)
 - Compatible con sistema operativo [iOS] 10.0 o superior/iPhone 6 o superior.
- Para obtener un desempeño mejorado, la aplicación SmartThings estará sujeta a cambios sin previo aviso o a la interrupción del soporte según la política del fabricante.
- Los sistemas de encriptación recomendados incluyen WPA/TKIP y WPA2/AES. No se admiten protocolos de autenticación Wi-Fi más nuevos o no estándar.
- Las redes inalámbricas pueden verse afectadas por los entornos de comunicación inalámbrica circundantes.
- Si su proveedor de servicios de Internet ha registrado la dirección MAC de su computadora o módem para identificación, es posible que su Samsung Smart Refrigerator no pueda conectarse a Internet. Si esto ocurre, comuníquese con su proveedor de servicios de Internet para recibir asistencia técnica.
- La configuración de firewall de su sistema de red puede impedir que su Samsung Smart Refrigerator acceda a Internet. Comuníquese con su proveedor de servicios de Internet para recibir asistencia técnica. Si el síntoma persiste, comuníquese con un centro de servicios Samsung local o el minorista.



-
- Para configurar el punto de acceso (PA) inalámbrico, consulte el manual de usuario del PA (enrutador).
 - Los Samsung Smart Refrigerators son compatibles con los protocolos IEEE 802.11 b/g/n (2.4 GHz). (Se recomienda IEEE 802.11 n).
 - Los enrutadores Wi-Fi no autorizados pueden no conectarse con los Samsung Smart Refrigerators correspondientes.

Cuenta Samsung

Debe registrar su cuenta Samsung para utilizar la aplicación. Si no tiene una cuenta Samsung, siga las instrucciones en pantalla de la aplicación para crear una cuenta Samsung.

Cómo comenzar

Encienda el dispositivo que desea conectar, abra la aplicación SmartThings en su teléfono y siga las instrucciones que figuran a continuación.

Si aparece un mensaje emergente que indica que se encontró un nuevo dispositivo, toque **ADD NOW (AGREGAR AHORA)**.

Si no aparece el mensaje, toque el botón + y, en la lista de dispositivos disponibles, seleccione el dispositivo que desea conectar.

Si su dispositivo no se encuentra en la lista de dispositivos disponibles, toque **Supported Devices (Dispositivos admitidos)**, seleccione el tipo de dispositivo (Refrigerador) y luego el modelo del dispositivo específico.

Siga las instrucciones de la aplicación para configurar el dispositivo. Una vez completada la configuración, el refrigerador aparecerá como una "ficha" en la pantalla **Devices (Dispositivos)**.

Aplicación del refrigerador

Control integrado

Puede supervisar y controlar su refrigerador en su casa y estando de viaje.

- Toque el icono del refrigerador en el panel de SmartThings o toque el icono de Dispositivos en la parte inferior del panel, y luego toque la "ficha" del refrigerador para abrir la página correspondiente.
- Controle el estado de operación o las notificaciones de su refrigerador y luego modifique las opciones o parámetros si fuera necesario.

NOTA

Algunas opciones o ajustes del refrigerador pueden no estar disponibles para el control remoto.



Funcionamiento

Categoría	Sección	Descripción
Supervisión	Temperatura del refrigerador	Muestra la configuración actual de la temperatura del refrigerador.
	Temperatura del congelador	Muestra la configuración actual de la temperatura del congelador.
	Configuración de la Zona fresca	Muestra la configuración de la Zona fresca.
	Autoverificación	Detecta funcionamientos anormales del refrigerador.
	Monitoreo de energía	Verifica el consumo de energía acumulado del refrigerador durante los últimos 180 días.
Funciones	Fabricación de hielo	Puede activar o desactivar la función fabricación de hielo y verificar su configuración actual.
		También puede consultar el estado y avance de la fabricación de hielo.
	Refrigeración rápida	Puede activar o desactivar la función de refrigeración rápida y ver la configuración actual.
	Congelación rápida	Puede activar o desactivar la función de congelación rápida y ver la configuración actual.
Alarmas	Temperatura anormalmente elevada	Esta alarma se dispara cuando la temperatura del refrigerador, el congelador o la Zona fresca es demasiado elevada.
	Puerta abierta	Esta alarma se dispara si la puerta del refrigerador, del congelador o de la Zona fresca permanece abierta durante un período específico.
	Reemplazo del filtro desodorizador (solo para los modelos correspondientes)	Esta alarma le recuerda que es necesario reemplazar el filtro desodorizador.
	Reemplazo del filtro de agua	Esta alarma le recuerda que es necesario reemplazar el filtro de agua.
Lista de compras		Puede crear y editar una lista de compras de acuerdo con sus necesidades.



Función SMART GRID (respuesta a la demanda)

Cuando el refrigerador opera en modo SMART GRID (respuesta a la demanda), la función del refrigerador Gestión de energía permite controlar el uso de energía o demorar algunas funciones para ahorrar dinero cuando el precio de la energía o la demanda son más elevados.

NOTA

- Se puede desactivar la función SMART GRID (respuesta a la demanda) en cualquier momento utilizando la función de activación/desactivación de la anulación.
- Para usar la función SMART GRID (respuesta a la demanda), se necesita un contrato aparte con la compañía de servicio eléctrico.

Además, para usar la función Smart Grid (respuesta a la demanda), debe registrar el servicio en su compañía de electricidad. La compañía debe tener un EMS (sistema de gestión de energía) compatible con SEP (perfil de energía inteligente).

Uso de la función SMART GRID (respuesta a la demanda)

Esta función controla los precios de la energía y la información de la demanda desde la compañía de servicio eléctrico y envía notificaciones al refrigerador para que ejecute tareas de alto consumo energético fuera de las horas pico cuando el costo y la demanda de la electricidad son menores.

Si el refrigerador recibe una señal de control de la compañía de servicio eléctrico, mostrará los niveles **DAL** (L3) ~ **TALR** (L4) en el visor del refrigerador y controlará el consumo energético de acuerdo con el nivel.

[Condición de excepción] Las señales de control **DAL** y **TALR** de una compañía de servicio eléctrico funcionan mientras se mantiene el desempeño del producto.

Si el refrigerador recibe una señal SMART GRID (Respuesta de la demanda) (**DAL** o **TALR**), el refrigerador funcionará en el modo de demora en la carga del aparato (Visor: Encienda el icono “**DAL**”) o Reducción temporal de la carga del aparato (Visor: Encienda el icono “**TALR**”).

- Demora en la carga del aparato (L3): el refrigerador responde a una señal **DAL** proporcionando una reducción de carga moderada durante el periodo de demora. Esta función controla las funciones que consumen mucha energía, como el ajuste del sistema de enfriamiento, la ejecución del ciclo de descongelación y la fabricación de hielo.
 - Cuando el refrigerador funciona en el modo **DAL** (L3), encienda el icono “**DAL**” del visor del refrigerador.
 - El modo **DAL** se desactiva automáticamente pasado el periodo de tiempo establecido por la señal **DAL** (máx. 4.5 horas) o cuando se presiona la tecla Anular.





Funcionamiento

- Reducción temporal de la carga del aparato (L4): El refrigerador responde a una señal **TALR** reduciendo drásticamente la carga durante un corto periodo de tiempo. Esta función reduce el consumo de energía deteniendo el compresor y controlando las funciones que consumen mucha energía, como el ciclo de descongelación y la fabricación de hielo.
 - Cuando el refrigerador funciona en el modo **TALR** (L4), encienda el icono “**TALR**” del visor del refrigerador.
 - El modo **TALR** (L4) se desactiva automáticamente pasado el periodo establecido (máx. 15 minutos) o cuando se presiona la tecla Anular. El modo se desactiva de inmediato y el refrigerador regresa al estado normal cuando la puerta se abre o cierra o se utiliza el dispensador.

Para verificar la dirección MAC

1. En este modo, la dirección MAC aparece en el panel de temperatura (en las secciones del congelador y del refrigerador del panel) en forma secuencial durante 1 minuto.
Mantenga presionados **Freezer (Congelador)** y **Fridge (Refrigerador)** durante 6 segundos. El panel de temperatura titila. Luego, presione **Freezer (Congelador)** nuevamente para visualizar la dirección MAC. El refrigerador emite una señal sonora.
2. Por ejemplo, si la dirección MAC es “11-22-33-44-55-66”, el panel de temperatura muestra la dirección durante 1 minuto en la siguiente secuencia: “-- / --” → “11 / 22” → “33 / 44” → “55 / 66” → “-- / --”.
Después de 1 minuto, la dirección MAC desaparece y panel de temperatura recupera el estado normal.

NOTA

El panel de temperatura muestra “-- / --” para las direcciones MAC desconocidas o si no se ha establecido o se ha perdido una conexión Wi-Fi.

Modo de anulación

Cuando desee que el refrigerador ignore la señal SMART GRID (respuesta a la demanda) de la compañía de servicio eléctrico, puede activar el modo ANULAR.

Si activa el modo ANULAR, el refrigerador ignora la señal SMART GRID (respuesta a la demanda) y deja de estar controlado por la compañía de servicio eléctrico.

Activación y desactivación del modo de anulación

1. Mantenga presionado **Override (Anular)** durante 3 segundos.
2. Suena una alarma y se muestra “Or” y “on” en los visores de temperatura del congelador y del refrigerador durante 5 segundos.
3. Si el refrigerador recibe la señal SMART GRID (respuesta a la demanda) de la compañía de servicio eléctrico, se muestra “Or” en el visor de temperatura del congelador.
4. Para desactivar el modo ANULAR, mantenga presionado **Override (Anular)** durante 3 segundos.
5. Suena una alarma y se muestra “Or” y “oF” en los visores de temperatura del refrigerador y del congelador durante 5 segundos.



NOTA

- Como alternativa, puede activar o desactivar el modo de ANULACIÓN mediante la aplicación Smartthings y la función de gestión de energía. Ver la página siguiente.

Uso de la función de gestión de energía

La función de gestión de energía permite controlar y supervisar con mayor comodidad la gestión de energía de su refrigerador mediante la aplicación Smartthings.

NOTA

- Para usar las funciones del refrigerador Gestión de energía, en primer lugar debe instalar la aplicación correspondiente.
1. Estado de funcionamiento, ajustes del usuario y mensajes
 - Puede ver la configuración de la temperatura del congelador y del refrigerador.
 - Puede recibir una alarma cuando la puerta del congelador o del refrigerador permanece abierta durante 2 minutos.
 - Puede verificar los estados de DR y de Anulación.
 - Puede verificar el estado de funcionamiento de la fábrica de hielo del congelador.
 2. Gestión remota
 - Configuración de congelación rápida: puede activar en manera remota la función Congelación rápida.
 - Configuración de refrigeración rápida: puede activar en manera remota la función Refrigeración rápida.
 - Configuración de activación/desactivación de hielo: puede configurar en manera remota la función Hielo activado/desactivado. Puede controlar únicamente la fábrica de hielo del congelador en forma remota.
 3. Informe del consumo de energía
 - Muestra el consumo de energía acumulado. Los datos del consumo de energía se actualizan cada 10 minutos.

NOTA

El informe del consumo de energía puede diferir de las especificaciones de consumo de energía del producto dependiendo del entorno de funcionamiento y de los alimentos almacenados.

4. Capacidad de demora del descongelamiento
 - La función Capacidad de demora del descongelamiento ahorra energía demorando el descongelamiento hasta la hora especificada por el usuario. Se puede configurar la hora y esta función ahorrará energía durante el tiempo especificado en ciclos de 24 horas. Si no se establece la hora, funciona de acuerdo con la configuración de tiempo predeterminada. Las configuraciones de tiempo predeterminadas son las siguientes:
 - 6 am a 10 am: 1 de noviembre ~ 30 de abril
 - 3 pm a 7 pm: 1 de mayo ~ 31 de octubre

Funcionamiento

Para modificar la configuración de tiempo de la capacidad de demora del descongelamiento
Puede cambiar el ajuste de la hora de la capacidad de demora del descongelamiento en la aplicación.

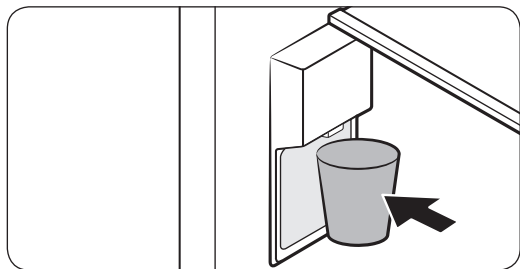
Facilitación de acceso abierto a los requisitos del producto conectado

1. SGIP Open Standards (Smart Energy Profile 2.0 <http://www.csep.org/>)
 - Informe del consumo de energía
 - Respuesta a la demanda
2. Samsung OPEN API
 - Estado de funcionamiento, ajustes del usuario y mensajes
 - Estado de la fábrica de hielo: GET /icemaker/status/vs/0
 - Alarma de puerta abierta: GET /doors/vs/0
 - Estado DR: GET /drlc/vs/0
 - Capacidad de demora del descongelamiento
 - Establecer programación de la demora de descongelamiento: POST /defrost/reservation/vs/0?op=add
 - Obtener programación de la demora de descongelamiento: GET /defrost/reservation/vs/0
 - Borrar programación de la demora de descongelamiento: POST /defrost/reservation/vs/0?op=remove
 - Activar/desactivar demora de descongelamiento: POST /defrost/delay/vs/0

Funciones especiales

Dispensador de agua

El dispensador le permite disfrutar de agua fría.



Para dispensar agua fría, coloque un vaso para agua en la palanca del dispensador y presione. Saldrá agua fría del dispensador.

PRECAUCIÓN

- Al usarlo por primera vez o después de reemplazar el filtro de agua, dispense 3 galones de agua (unos 6 minutos) para eliminar las impurezas de la tubería de agua.
- Si va a hacer un viaje de negocios o piensa ausentarse de su casa por un período prolongado, cierre la válvula de agua para evitar fugas. Esto ayudará a evitar una pérdida accidental.

NOTA

- A fin de evitar derrames, espere un segundo antes de retirar el vaso después de llenarlo. Luego la palanca del dispensador regresa a su posición.
- El dispensador dejará de dispensar si se mantiene la palanca presionada durante aproximadamente 1 minuto. Para dispensar más agua, libere y presione la palanca nuevamente.
- Asegúrese de que el vaso esté alineado con el dispensador para evitar que el agua se derrame.

Funcionamiento

Fábrica de hielo

El refrigerador cuenta con una fábrica de hielo incorporada que dispensa hielo automáticamente.

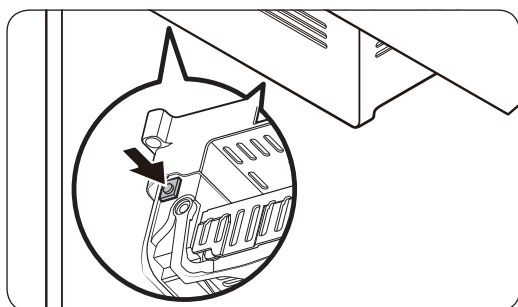
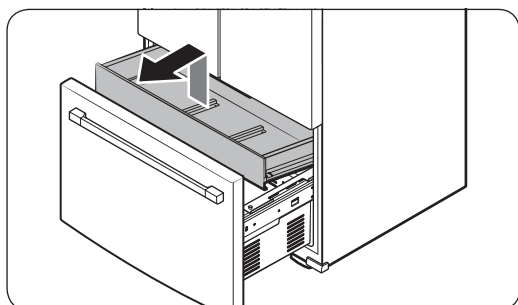
Fabricación de hielo

Una vez que haya instalado el refrigerador y lo haya enchufado, siga estas instrucciones a fin de asegurar la fabricación adecuada de hielo y de mantener la cubeta de hielo llena:

Para utilizarla por primera vez

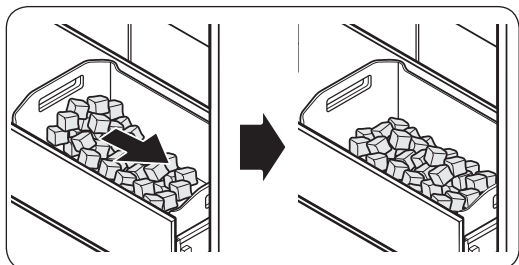
- Deje que la fábrica de hielo funcione durante 1 o 2 días.
- Descarte la primera y segunda cubeta de hielo para eliminar las impurezas del sistema de suministro de agua.

Diagnóstico



Si el hielo no sale, primero controle el estado de la fábrica de hielo con el botón de prueba azul siliconado sobre el lateral de la fábrica de hielo.

1. Consulte la figura y retire el cajón marcado para acceder fácilmente al botón de prueba.
2. Presione **Test (Prueba)** sobre el lateral de la fábrica de hielo. Escuchará una señal sonora (campana) al presionar el botón.
3. Escuchará otra señal sonora si la fábrica de hielo funciona correctamente.



NOTA

- La acumulación de hielo en un lado de la charola es normal. Distribuya el hielo de la charola en forma uniforme para almacenar más hielo.

PRECAUCIÓN

- Dejar la tubería de agua desconectada puede causar que con el tiempo la válvula de agua emita un zumbido. Si esto ocurre, asegúrese de desactivar la función de fabricación de hielo.
- Si la señal sonora de fabricación de hielo suena repetidamente, comuníquese con el instalador de la tubería de agua o un Centro de Servicio local Dacor.
- No presione **Test (Prueba)** repetidamente una vez que la charola de hielo esté llena de hielo o agua. El agua se puede desbordar o el hielo puede atascarse.
- No ponga alimentos en la cubeta de hielo. Los alimentos congelados pueden dañar la fábrica de hielo, en especial al abrir o cerrar la puerta.
- Cuando el refrigerador recupera el suministro eléctrico después de un corte, la cubeta de hielo puede contener una mezcla de cubos de hielo derretidos y pegados, lo que puede evitar que la fábrica de hielo funcione adecuadamente. A fin de evitar que suceda, asegúrese de vaciar la cubeta de hielo antes de utilizar el refrigerador.
- No coloque los dedos ni otros objetos en la fábrica de hielo. Es posible que provoque lesiones o daños materiales.
- Debido a la sublimación, el hielo almacenado en el congelador durante mucho tiempo reduce su tamaño y forma grandes trozos de hielo. Por lo tanto, si no va a utilizar hielo durante mucho tiempo, apague la máquina de hielo como se indica a continuación.
- Utilice solo las mangueras nuevas provistas con el electrodoméstico. No reutilice mangueras antiguas.

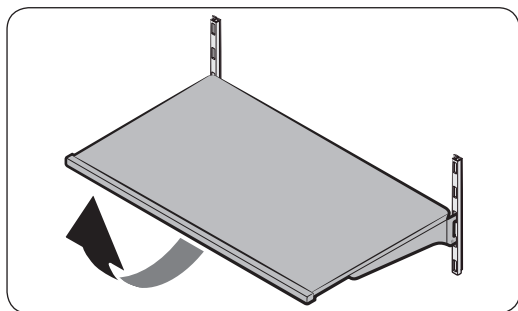
Fábrica de hielo desactivada

Si mantiene presionado **Ice Maker (Fábrica de hielo)** durante 3 segundos para apagar la fábrica de hielo, asegúrese de retirar todos los cubos de hielo de la cubeta. Los cubos de hielo restantes pueden pegarse y hacer que sea difícil retirarlos.

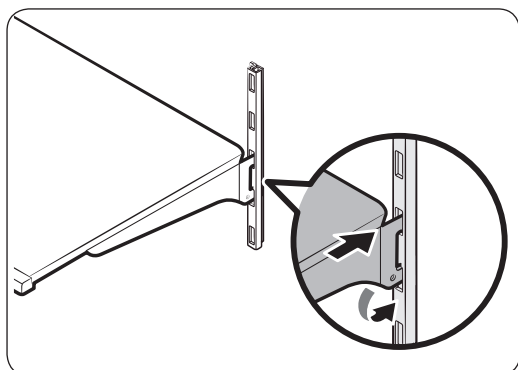
Funcionamiento

Manipulación y cuidado

Estantes de vidrio templado

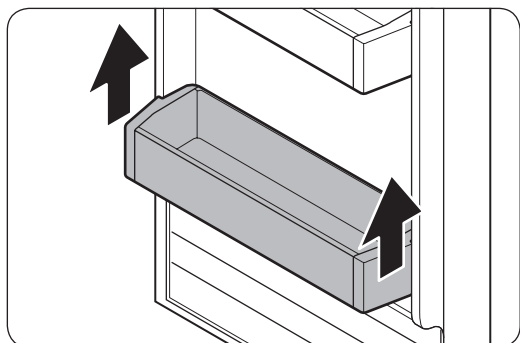


Para retirar un estante, abra la puerta correspondiente por completo. Sostenga la parte delantera del estante y luego levántelo suavemente y deslícelo hacia afuera.

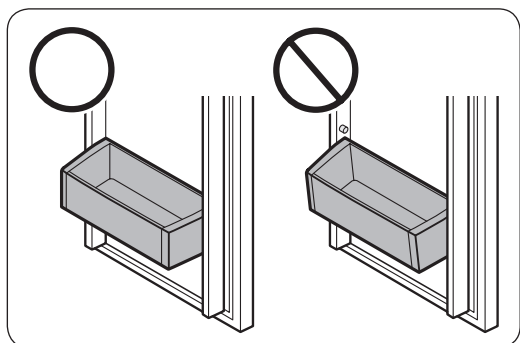


Para insertarlo nuevamente, sostenga el estante en ángulo de modo que la parte frontal esté más elevada que la trasera y luego inserte el gancho superior en la muesca superior del estante. Luego, baje el estante e inserte el gancho inferior del estante en la muesca inferior del estante.

Compartimientos de las puertas



Para retirar los compartimientos de la puerta, levántelos y luego jale en línea recta. Es posible que el compartimiento de la puerta no se mueva con facilidad en el primer uso. En este caso, retire primero la cubierta interna de la puerta y vuelva a intentarlo.

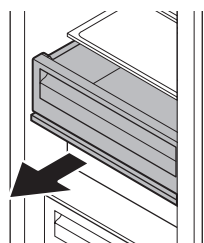


⚠ PRECAUCIÓN

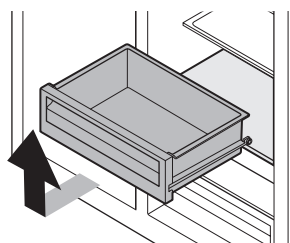
El compartimiento de la puerta tiene 4 orificios de ensamble, 2 en cada lado. Cuando vuelva a insertar el compartimiento de la puerta, asegúrese de que los 2 orificios de un lado encajen en los 2 ajustes del lado correspondiente de la puerta. Es decir, que los 4 orificios del compartimiento encajen en los 4 ajustes de la puerta. De lo contrario, el compartimiento de la puerta no quedará nivelado.

Cajones

Para retirarlos, levántelos suavemente por el frente y deslícelos hacia afuera. Se recomienda retirar los compartimientos de la puerta antes de retirar el cajón. Esto es para evitar que se dañen.



Retirada de los cajones



Extracción de los cajones

Funcionamiento

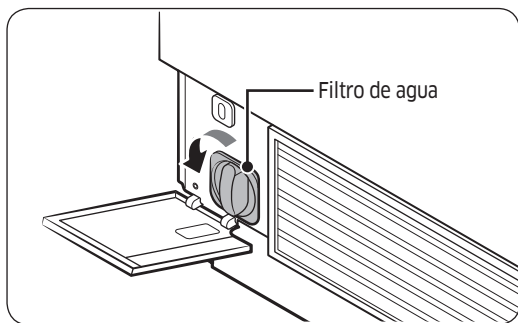
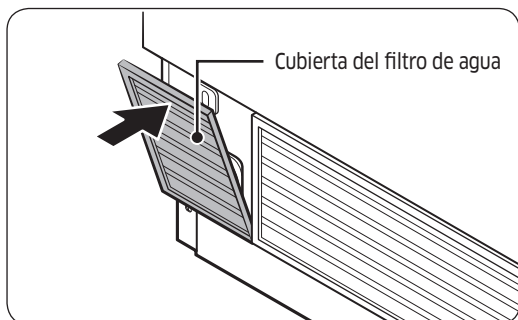
Reemplazo

Filtro de agua

⚠ ADVERTENCIA

- No utilice filtros de agua de terceros. Utilice únicamente filtros provistos o aprobados por Samsung.
- Los filtros no aprobados pueden provocar pérdidas y daños al congelador y descargas eléctricas. Dacor no se hace responsable por los daños que puedan generarse a partir del uso de filtros de terceros.

El indicador del filtro (—) se pone rojo para recordarle que es momento de cambiar el filtro. Antes de reemplazar el filtro, asegúrese de que la tubería de agua esté cerrada.



1. Abra la cubierta del filtro de agua de la parte inferior izquierda del congelador.
2. Gire el filtro del dispensador en el sentido contrario al de las agujas del reloj para extraerlo.
3. Reemplácelo por un filtro de dispensador nuevo.
4. Cierre la cubierta del filtro de agua.
5. Mantenga presionado **Filter Reset (Restablecer filtro)** en el panel de funciones durante 3 segundos para restablecer el detector de ciclo de vida útil. El indicador del filtro (—) se apaga.
6. Al finalizar el reemplazo del filtro, abra la válvula de agua y deje correr el agua por el dispensador durante unos 7 minutos. De esta forma se eliminan las impurezas y el aire de la tubería de agua.

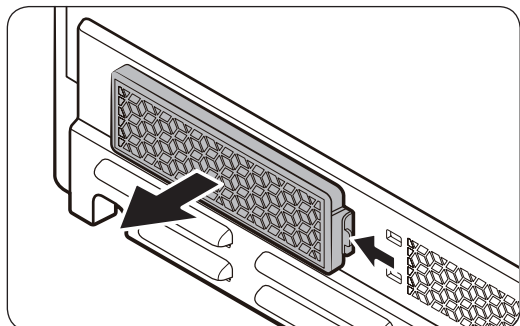
📄 NOTA

- Los filtros nuevos pueden hacer que brote agua del dispensador brevemente. Esto se debe al ingreso de aire en la tubería de agua.
- El proceso de reemplazo puede hacer que el dispensador de agua gotee por un período breve. Si gotea, simplemente limpie el agua del piso con una toalla seca.

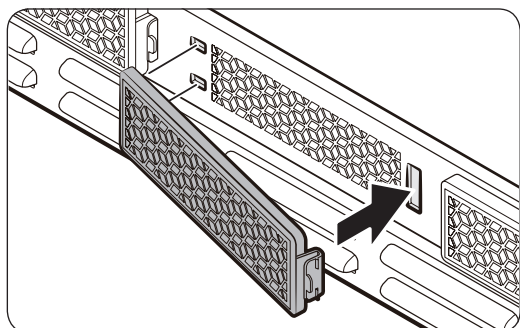
Pedir un filtro nuevo

Para comprar un nuevo filtro de agua, comuníquese con un agente de servicio local o con el Servicio de atención al cliente de Dacor al (800) 793-0093.

Filtro desodorizador



Para retirarlo, extraiga el cajón de la Zona fresca para dejar al descubierto el filtro que se encuentra en la pared trasera. Presione las lengüetas del filtro para destrabarlo y extraerlo.



Para insertarlo, coloque primero la parte trasera del filtro y empuje la parte frontal hasta que se trabe en su lugar.

NOTA

El ciclo de vida útil del filtro desodorizador es de 18 meses, aunque difiere dependiendo de las condiciones de uso. Puede comprar un nuevo filtro en un centro de servicio Dacor local.

Luces LED

Para reemplazar las luces LED del refrigerador, comuníquese con un agente de servicio local. Contacto Servicio de atención al cliente de Dacor al (800) 793-0093.

ADVERTENCIA

El usuario no debe cambiar las luces LED. No intente reemplazar la luz LED usted mismo. Puede provocar una descarga eléctrica.

Cuidado y mantenimiento

Limpieza

ADVERTENCIA

- No utilice benceno, solvente ni detergente para automóviles/hogareño como Clorox™ para limpiar. Pueden dañar la superficie del refrigerador y provocar un incendio.
- No rocíe agua sobre el refrigerador. Puede provocar una descarga eléctrica.
- No coloque los dedos ni otros objetos en la salida del dispensador.

Utilice un paño seco regularmente para retirar cualquier sustancia extraña como polvo o agua de las terminales del enchufe de alimentación y los puntos de contacto.

1. Apague el refrigerador.
2. Utilice un paño húmedo que no deje pelusa o una toalla de papel para limpiar el interior y el exterior del refrigerador.
3. Al terminar, utilice un paño seco o toalla de papel para secarlo bien.
4. Encienda el refrigerador.

Solución de problemas

Antes de solicitar servicio técnico revise los siguientes puntos de verificación. En el caso de solicitudes de servicio para situaciones normales (cuando no existe ningún defecto), se exigirá un cargo a los usuarios.

General

Temperatura

Síntoma	Causas posibles	Solución
El refrigerador/ congelador no funciona. La temperatura del refrigerador/congelador es elevada.	<ul style="list-style-type: none">El cable de alimentación no está conectado correctamente.	<ul style="list-style-type: none">Enchufe correctamente el cable de alimentación.
	<ul style="list-style-type: none">El control de temperatura no está configurado correctamente.	<ul style="list-style-type: none">Baje la temperatura.
	<ul style="list-style-type: none">El refrigerador está ubicado cerca de una fuente de calor o expuesto a la luz solar directa.	<ul style="list-style-type: none">Mantenga el refrigerador alejado de la luz solar directa o de las fuentes de calor.
	<ul style="list-style-type: none">El espacio entre el refrigerador y las paredes laterales o trasera es insuficiente.	<ul style="list-style-type: none">Asegúrese de dejar al menos 5 cm en la parte trasera y los laterales.
	<ul style="list-style-type: none">El refrigerador está demasiado lleno. Los alimentos bloquean las rejillas de ventilación del refrigerador.	<ul style="list-style-type: none">No sobrecargue el refrigerador. Evite que los alimentos bloqueen la ventilación.
El refrigerador/ congelador enfría demasiado.	<ul style="list-style-type: none">El control de temperatura no está configurado correctamente.	<ul style="list-style-type: none">Eleve la temperatura.

Olores

Síntoma	Causas posibles	Solución
El refrigerador huele mal.	<ul style="list-style-type: none">Alimentos descompuestos.	<ul style="list-style-type: none">Limpie el refrigerador y retire los alimentos descompuestos.El ciclo de vida útil del filtro desodorizador es de 18 meses, aunque difiere dependiendo de las condiciones de uso.
	<ul style="list-style-type: none">Alimentos con olores fuertes.	<ul style="list-style-type: none">Asegúrese de que los alimentos con olores fuertes estén envueltos al vacío.

Solución de problemas

Escarcha

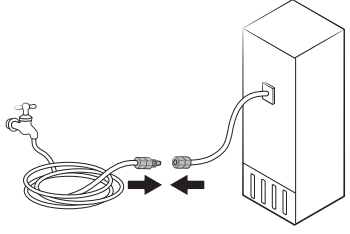
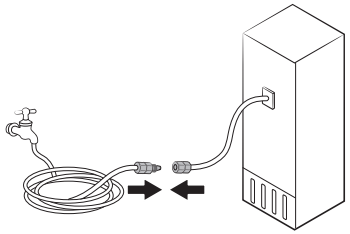
Síntoma	Causas posibles	Solución
Escarcha alrededor de las rejillas de ventilación.	<ul style="list-style-type: none">Los alimentos bloquean las rejillas de ventilación.	<ul style="list-style-type: none">Asegúrese de que ningún alimento bloquee las rejillas de ventilación del refrigerador.
Escarcha en las paredes internas.	<ul style="list-style-type: none">La puerta está mal cerrada.	<ul style="list-style-type: none">Asegúrese de que ningún alimento bloquee la puerta. Limpie las juntas de la puerta.

Condensación

Síntoma	Causas posibles	Solución
Se forma condensación en las paredes internas.	<ul style="list-style-type: none">Si se deja la puerta abierta, entra humedad en el refrigerador.	<ul style="list-style-type: none">Retire la humedad y no abra la puerta durante un tiempo.
	<ul style="list-style-type: none">Alimentos con elevado contenido de humedad.	<ul style="list-style-type: none">Asegúrese de que los alimentos estén envueltos al vacío.

Agua/hielo (solo para modelos con dispensador)

Síntoma	Causas posibles	Solución
Sale menos agua de lo normal.	<ul style="list-style-type: none">La presión del agua es demasiado baja.	<ul style="list-style-type: none">Asegúrese de que la presión del agua esté entre 30 y 120 psi (207 y 827 kPa).
La fábrica de hielo emite un zumbido.	<ul style="list-style-type: none">La función de fabricación de hielo está activada, pero el suministro de agua al refrigerador no está conectado.	<ul style="list-style-type: none">Mantenga presionado Ice Maker (Fábrica de hielo) durante 3 segundos para apagar la fábrica de hielo.
La fábrica de hielo no hace hielo.	<ul style="list-style-type: none">La fábrica de hielo está recién instalada.	<ul style="list-style-type: none">Debe esperar 12 horas hasta que el refrigerador haga hielo.
	<ul style="list-style-type: none">Fábrica de hielo desactivada.	<ul style="list-style-type: none">Encienda la fábrica de hielo.

Síntoma	Causas posibles	Solución
No se dispensa hielo.	<ul style="list-style-type: none"> El hielo puede atascarse si el dispensador de hielo no se utiliza durante un periodo largo de tiempo (aproximadamente 3 semanas). 	<ul style="list-style-type: none"> Si no utilizará el refrigerador por un periodo de tiempo prolongado, vacíe la cubeta de hielo y apague la fábrica de hielo.
	<ul style="list-style-type: none"> La cubeta de hielo no está insertada correctamente. 	<ul style="list-style-type: none"> Asegúrese de que la cubeta de hielo esté insertada por completo.
	<ul style="list-style-type: none"> La tubería de agua no está conectada correctamente o el suministro de agua está cerrado. 	<ul style="list-style-type: none"> Revise el estado de la instalación de agua. 
No se dispensa agua.	<ul style="list-style-type: none"> La tubería de agua no está conectada correctamente o el suministro de agua está cerrado. 	<ul style="list-style-type: none"> Revise el estado de la instalación de agua. 
	<ul style="list-style-type: none"> No utilice filtros de agua de terceros. 	<ul style="list-style-type: none"> Utilice únicamente filtros provistos o aprobados por Samsung. Los filtros no aprobados pueden provocar pérdidas y daños al refrigerador.
	<ul style="list-style-type: none"> El indicador de filtro de agua se enciende o parpadea. 	<ul style="list-style-type: none"> Reemplace el filtro de agua. Luego de reemplazarlo, restablezca el sensor del indicador del filtro.

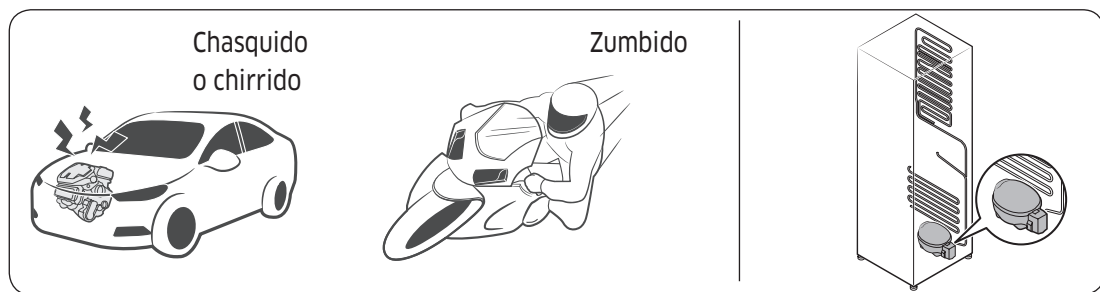
Solución de problemas

¿Se oyen ruidos anómalos procedentes del refrigerador?

Antes de solicitar servicio técnico revise los siguientes puntos de verificación. En el caso de solicitudes de servicio relacionado con ruidos normales se exigirá un cargo al usuario.

Dichos ruidos son normales.

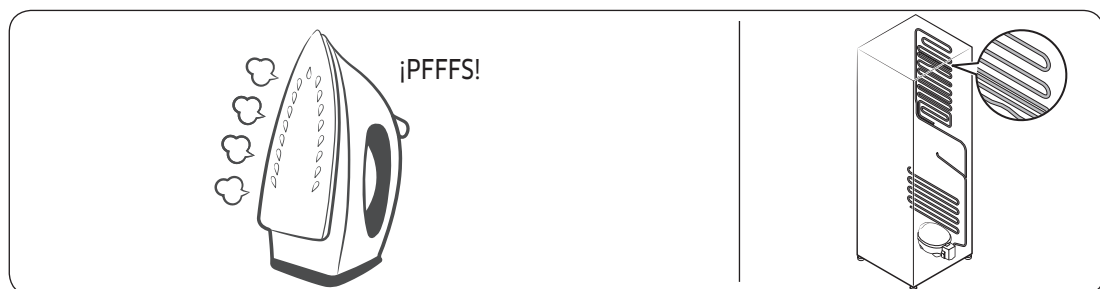
- Cuando se inicia o finaliza una operación, el refrigerador puede emitir unos sonidos similares al encendido del motor de un auto. Cuando la operación se estabiliza, el ruido disminuye.



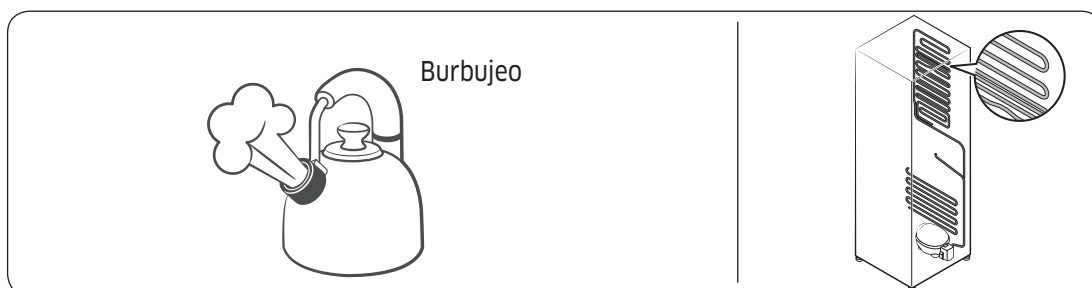
- Cuando el ventilador está en funcionamiento puede producir algunos ruidos. Cuando el refrigerador alcanza la temperatura establecida, el ventilador deja de producir ruidos.



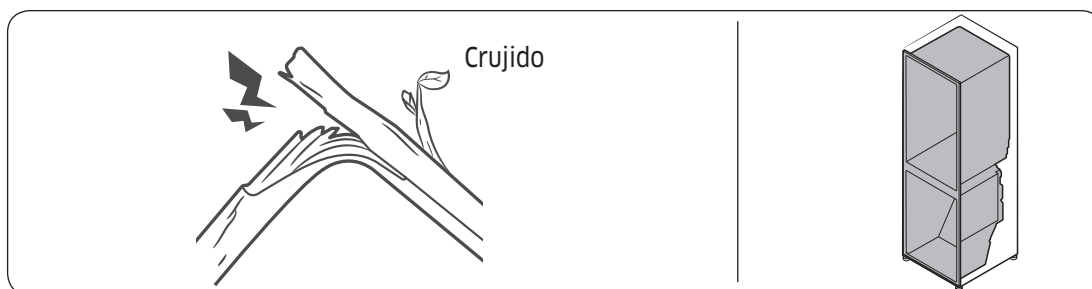
- Durante un ciclo de descongelación, pueden caer gotas de agua sobre el calefactor y producir ruidos de chisporroteo.



- Cuando el refrigerador enfría o congela, el gas refrigerante circula por las tuberías selladas y produce ruidos de burbujas.



- Cuando la temperatura del refrigerador aumenta o disminuye, las partes plásticas se contraen y se expanden y producen ruidos de golpeteo. Dichos ruidos se producen durante el ciclo de descongelación o cuando las piezas electrónicas están funcionando.



- Para modelos con fábrica de hielo: Cuando la válvula de agua se abre para llenar la fábrica de hielo, pueden emitirse unos zumbidos.
- Debido a la equalización de la presión cuando se abre y cierra la puerta, pueden producirse sonidos silbantes.

Solución de problemas

Smartthings

Síntoma	Acción
No se encuentra "SmartThings" en el mercado de aplicaciones.	<ul style="list-style-type: none">• La aplicación SmartThings no está disponible para algunas tabletas e iPad y algunos teléfonos inteligentes.<ul style="list-style-type: none">- Compatible con sistema operativo [Android] 6.0 o superior (con un mínimo de 2 GB de RAM)- Compatible con sistema operativo [iOS] 10.0 o superior/iPhone 6 o superior.
La aplicación SmartThings no funciona.	<ul style="list-style-type: none">• La aplicación SmartThings está disponible únicamente para los modelos correspondientes.• La antigua aplicación de Samsung Smart Refrigerators no puede conectarse con los modelos Samsung Smart Home.
La aplicación Smartthings está instalada pero no se conecta a mi refrigerador.	<ul style="list-style-type: none">• Debe iniciar una sesión con su cuenta Samsung para utilizar la aplicación.• Asegúrese de que su enrutador funcione normalmente.• Si el ícono de Wi-Fi del visor del refrigerador está apagado, significa que no se ha establecido aún la conexión de red. En este caso, use la aplicación Smartthings para conectarse y registrar el refrigerador en el punto de acceso (PA) de su casa.
No se puede iniciar una sesión en la aplicación.	<ul style="list-style-type: none">• Debe iniciar una sesión con su cuenta Samsung para utilizar la aplicación.• Si no tiene una cuenta Samsung, siga las instrucciones en pantalla de la aplicación para crear una.
Cuando trato de registrar mi refrigerador aparece un mensaje de error.	<ul style="list-style-type: none">• Easy Connection puede fallar como resultado de la distancia con respecto al punto de acceso (PA) o una interferencia eléctrica del entorno circundante. Espere un momento e inténtelo nuevamente.
La aplicación Smartthings está conectada correctamente a mi refrigerador pero no funciona.	<ul style="list-style-type: none">• Salga y reinicie la aplicación Smartthings o desconecte el enrutador y conéctelo nuevamente.• Apague el refrigerador y vuelva a encenderlo después de 1 minuto.

Smart Grid

Síntoma	Acción
¿Qué necesito para utilizar las funciones Gestión de energía y Smart Grid?	<ul style="list-style-type: none"> • Para usar las funciones Smart Grid (respuesta a la demanda) y Gestión de energía del refrigerador, se necesitan los siguientes dispositivos y aplicaciones: <ul style="list-style-type: none"> - Dispositivos: 1) Enrutador inalámbrico, 2) Refrigerador Smarththings, 3) Teléfono inteligente. (Recomendado: SO Android Jelly Bean o una versión posterior) - Aplicaciones: 1) "Smarththings App" (Aplicación de Smarththings) de la Google Play Store. También deberá: <ul style="list-style-type: none"> • Conectar el refrigerador y el teléfono inteligente a la misma red Wi-Fi de su casa. • Instale y ejecute la aplicación Smarththings en su teléfono inteligente. • Además, para usar la función Smart Grid (respuesta a la demanda), debe registrar el servicio en su compañía de electricidad. La compañía debe tener un EMS (sistema de gestión de energía) compatible con SEP (perfil de energía inteligente).
¿Por qué la función Gestión de energía no opera con normalidad?	<ul style="list-style-type: none"> • Asegúrese de que el enrutador de su casa e Internet operen con normalidad. <ul style="list-style-type: none"> - Conecte un teléfono inteligente al enrutador (PA, punto de acceso) y asegúrese de que pueda acceder a Internet. • Asegúrese de que el refrigerador esté conectado al PA. <ul style="list-style-type: none"> - Verifique que el ícono de Wi-Fi aparezca en el panel del refrigerador. Si el refrigerador está conectado, el ícono estará encendido. • Confirme que el refrigerador y el teléfono inteligente estén conectados al mismo enrutador.

Solución de problemas

Síntoma	Acción
¿Por qué la capacidad de demora del descongelamiento no opera con normalidad?	<ul style="list-style-type: none">• Asegúrese de que el enrutador de su casa e Internet operen con normalidad.• Conecte un teléfono inteligente al enrutador (PA, punto de acceso) y asegúrese de que pueda acceder a Internet.• Asegúrese de que la zona donde usted vive forme parte de la aplicación Smartthings.• Confirme que la función Smart Grid funcione correctamente. (Verifique el panel de control. Los iconos DAL o TALR no deben visualizarse en el panel.)

Garantía y servicio

Atención al cliente

Antes de solicitar asistencia o programar un servicio:

1. Pruebe con las soluciones provistas en la tabla Síntoma–Solución de la sección "Solución de problemas".
2. Familiarícese con los términos y condiciones de la garantía del producto.
3. Si ninguno de esos consejos prácticos o sugerencias resuelve su problema, llame a nuestro centro de Atención al cliente al número que figura más abajo.

El centro de Atención al cliente de Dacor está disponible de 6:00 a.m. a 5:00 p.m. Hora del Pacífico.

Para reparaciones en garantía y consultas o para el Dacor Distinctive Service (DDS) en EE.UU. y Canadá
Teléfono: (800) 793-0093

Para reparaciones fuera de garantía o consultas en EE.UU. y Canadá
Teléfono: (800) 793-0093, extensión 2813

Contáctenos a través de nuestro sitio web:
www.dacor.com

Garantía

Cobertura

CERTIFICADO DE GARANTÍA PARA
REFRIGERADOR DACOR

EN LOS CINCUENTA ESTADOS DE EE.UU, DISTRITO DE COLUMBIA Y CANADÁ:

GARANTIA COMPLETA DE DOS AÑOS

La garantía se aplica únicamente al electrodoméstico Dacor que fue vendido al primer comprador usuario.

La garantía es asimismo válida para los productos adquiridos nuevos a un distribuidor autorizado de Dacor o a otro vendedor autorizado por Dacor.

A partir de la fecha del comprobante de la compra minorista original o la fecha de cierre para la nueva construcción, el periodo que sea más largo.

- 60 días Cosmética
- 2 años Garantía completa
- 6 años Garantía del sistema hermético: Piezas/Mano de obra
- 12 años Garantía del sistema hermético: Solo piezas
- 15 años Garantía del compresor: Solo piezas

Garantía y servicio

Filtro de agua: Durante 30 días a partir de la fecha de compra, siempre que el filtro se haya usado y mantenido de acuerdo con las instrucciones adjuntas o facilitadas con el producto, Dacor se hará cargo de las piezas de reemplazo para corregir defectos de materiales y mano de obra.

Excepto en los casos indicados anteriormente, las partes consumibles como filtros y lámparas no están incluidas y son responsabilidad del comprador.

GARANTÍA LIMITADA

Durante el periodo comprendido entre tres y seis años después de la fecha de la compra, siempre que este refrigerador se haya usado y mantenido de acuerdo con las instrucciones o el manual de uso que acompaña el producto, Dacor se hará cargo de las piezas especificadas por la fábrica y los costos laborales de reparación con el fin de corregir los defectos de materiales o mano de obra en el sistema hermético de refrigeración. Dichas piezas son: el compresor, el evaporador, el condensador, el deshumidificador y las tuberías de conexión.

Durante el periodo comprendido entre siete y doce años después de la fecha de la compra, siempre que este refrigerador se haya usado y mantenido de acuerdo con las instrucciones o el manual de uso que acompaña el producto, Dacor se hará cargo de las piezas especificadas por la fábrica para los siguientes componentes con el fin de corregir los defectos de materiales o mano de obra en el sistema hermético de refrigeración existente cuando se compró este electrodoméstico: el compresor, el evaporador, el condensador, el deshumidificador y las tuberías de conexión.

Durante el periodo comprendido entre trece y quince años después de la fecha de la compra, siempre que el refrigerador se haya usado y mantenido de acuerdo con las instrucciones o el manual de uso que acompaña el producto, Dacor se hará cargo de las piezas especificadas por la fábrica para el compresor a fin de corregir defectos de materiales o mano de obra existentes al momento de la compra del electrodoméstico.

LIMITACIONES DE LA COBERTURA

El servicio será ofrecido por una empresa de servicios designada por Dacor durante el horario laboral normal. Les rogamos que tengan en cuenta que los proveedores de servicios no son agentes de Dacor, sino entidades independientes.

Productos de exhibición de distribuidor y de casas modelo con una fecha de producción superior a 5 años, productos vendidos "tal cual," y productos instalados para uso no residencial, que incluyen, aunque no en carácter taxativo, organizaciones religiosas, estaciones de bomberos, hospederías y spas, cuentan únicamente con una garantía de un año para las piezas. Los costos de entrega, instalación y laborales, así como otros cargos de servicio, son responsabilidad del comprador.

El propietario debe proporcionar a solicitud una prueba de compra o una declaración de cierre para la nueva construcción. Todos los productos Dacor deben estar accesibles para el servicio. Todos los daños cosméticos (como rayones en acero inoxidable, manchas en pintura o porcelana, etc.) al producto o accesorios incluidos deben reportarse a Dacor en el transcurso de 60 días a partir de la fecha original de compra para poder optar a la cobertura de garantía.

La garantía se considerará nula y sin efecto en aquellos productos cuyos números de serie y etiquetas hayan sido alterados, desfigurados o eliminados.

La garantía se considerará nula y sin efecto si un producto no aprobado por CSA se transporta desde los Estados Unidos.

FUERA DE LOS CINCUENTA ESTADOS DE EE.UU, DISTRITO DE COLUMBIA Y CANADÁ:

GARANTÍA LIMITADA AL PRIMER AÑO

Si su producto Dacor deja de funcionar antes de que transcurra un año a partir de la fecha de compra original debido a un defecto de material o mano de obra, Dacor proporcionará una nueva pieza, F.O.B. la fábrica, para reemplazar la pieza defectuosa.

Los costos de entrega, instalación y laborales, así como otros cargos de servicio, son responsabilidad del comprador.

Qué no está cubierto

- Pueden observarse ligeras variaciones en el color debidas a diferencias entre las partes pintadas, iluminación de la cocina, ubicación del producto y otros factores; esta garantía no cubre las variaciones de color.
- Las llamadas de servicio para instruir al cliente acerca del correcto uso y cuidado del producto.
- Las tarifas de servicio por desplazamiento a islas y zonas lejanas que incluyen, aunque no de modo taxativo, ferries, autopistas de peaje y otros costos relacionados con el viaje.
- Daños indirectos o accidentales, que incluyen, aunque no de modo taxativo: pérdida de alimentos o medicinas, ausencia del trabajo o comidas en restaurantes.
- Falla del producto cuando se emplea con fines comerciales, empresariales, de alquiler o cualquier otro propósito que no sea el uso residencial del consumidor.
- Falla del producto causada por la instalación incorrecta del producto.
- Reemplazo de fusibles o cajas de fusibles domésticos o restablecimiento de disyuntores.
- Daños al producto causados por accidente, incendio, inundación, interrupción de alimentación, sobrecargas eléctricas o fenómenos naturales.
- Responsabilidad por daños a la propiedad circundante, incluyendo gabinetes, pisos, techos y otros objetos o estructuras que rodeen el producto.
- Rotura, decoloración o daños a superficies de cristal o metálicas, componentes plásticos, bordes, pintura u otros acabados cosméticos causados por mal uso o cuidado impropio, abuso o negligencia.

Garantía y servicio

Fuera de garantía

Si tiene algún problema de servicio una vez finalizado el periodo de garantía estándar, comuníquese con nosotros.

Dacor revisa todos los problemas y preocupaciones de los clientes para ofrecer la mejor solución posible de acuerdo con las circunstancias de cada caso.

LOS RECURSOS PROPORCIONADOS EN LAS GARANTÍAS EXPRESAS ANTEDICHAS CONSTITUYEN SU ÚNICO Y EXCLUSIVO RECURSO. POR CONSIGUIENTE, NO SE OFRECE NINGUNA OTRA GARANTÍA EXPRESA, Y FUERA DE LOS CINCUENTA ESTADOS DE LOS ESTADOS UNIDOS, EL DISTRITO DE COLUMBIA Y CANADÁ, TODAS LAS GARANTÍAS IMPLÍCITAS, INCLUIDAS, ENTRE OTRAS, LAS GARANTÍAS IMPLÍCITAS DE COMERCIABILIDAD O DE IDONEIDAD PARA UN USO O FIN CONCRETO, TIENEN UNA DURACIÓN LIMITADA A UN AÑO A PARTIR DE LA FECHA DE COMPRA ORIGINAL. EN NINGÚN CASO DACOR SERÁ RESPONSABLE DE DAÑOS ACCIDENTALES O INDIRECTOS. EN CASO DE QUE DACOR GANE UN JUICIO, DACOR TENDRÁ DERECHO A RECIBIR DEL CLIENTE DE DACOR EL REEMBOLSO DE TODOS LOS COSTOS Y GASTOS, INCLUIDOS LOS HONORARIOS DEL ABOGADO. NO SE OFRECE GARANTÍA ALGUNA, EXPRESA O IMPLÍCITA, A UN COMPRADOR QUE REVENDA EL PRODUCTO.

Ciertos estados no permiten limitaciones en cuanto a la vigencia de una garantía implícita o no permiten la exclusión o limitación de daños intrascendentes, de tal forma que las limitaciones o excepciones mencionadas tal vez no se apliquen a usted en particular. Esta garantía le otorga derechos legales específicos, e incluso puede otorgarle otros derechos que varían de un estado a otro.

Aviso de código abierto

El software incluido en este producto contiene software de código abierto.

El siguiente URL, http://opensource.samsung.com/opensource/SMART_TP2_0/seq/0 lleva a la información de la licencia del código fuente relacionada con este producto.



Aviso regulatorio

Aviso de la FCC (Federal Communications Commission)

PRECAUCIÓN de la FCC:

Todos los cambios y modificaciones que no cuenten con la aprobación expresa de la parte responsable del cumplimiento pueden invalidar la autoridad del usuario para operar el equipo.

Contiene módulo transmisor FCC ID: A3LCWAP210M

Este aparato cumple con la sección 15 de las Normas de la FCC. El funcionamiento se encuentra sujeto a las siguientes dos condiciones:

- (1) Este aparato no puede causar interferencia dañina y
- (2) Este aparato debe aceptar la recepción de cualquier interferencia, incluidas aquellas que causen un funcionamiento indeseado.

En los productos disponibles en los mercados de los Estados Unidos y Canadá, solo están disponibles los canales 1 a 11.

No es posible seleccionar otros canales.

DECLARACIÓN DE LA FCC:

Este equipo ha sido sometido a pruebas y se ha determinado que se encuentra dentro de los límites para los dispositivos digitales clase B, de acuerdo con la parte 15 de las Normas de la FCC. Dichos límites han sido diseñados para proporcionar una protección razonable contra la interferencia dañina en una instalación residencial.

Este equipo genera, utiliza y puede irradiar energía de frecuencias de radio y, si no se lo instala y utiliza de acuerdo con las instrucciones, pueden producirse interferencias en las comunicaciones de radio. Sin embargo, no existe garantía alguna de que no habrá interferencia en una instalación determinada. Si el equipo provoca interferencia dañina a la recepción de radio o televisión, que puede determinarse al encender y apagar el equipo, se sugiere que el usuario trate de corregir la interferencia mediante una o más de las siguientes medidas:

- Reorientar o reubicar la antena receptora
- Aumentar la distancia entre el equipo y el receptor
- Conectar el equipo en un tomacorriente que está en un circuito diferente que el receptor.
- Consultar a su distribuidor o a un técnico experimentado en radio/TV para obtener ayuda.

DECLARACIÓN DE LA FCC SOBRE LA EXPOSICIÓN A LA RADIACIÓN:

Este equipo cumple con los límites de exposición a la radiación establecidos por la FCC para un entorno no controlado.

Este equipo debe instalarse y utilizarse con una distancia mínima de 8 pulgadas (20 cm) entre el radiador y su cuerpo. Este aparato y sus antenas no deben ubicarse ni utilizarse junto con ninguna otra antena o transmisor excepto si se cumplen los procedimientos de la FCC para productos transmisores múltiples.

Aviso de la IC

Contiene módulo de transmisor IC: 649E-CWAP210M

El término "IC" antes del número de certificación de radio solo significa que cumple con las especificaciones técnicas de la Industria de Canadá. El funcionamiento se encuentra sujeto a las siguientes dos condiciones: (1) Este aparato no puede causar interferencia dañina, y (2) este aparato debe aceptar la recepción de cualquier interferencia, incluidas aquellas que puedan causar un funcionamiento indeseado.

Este aparato digital Clase B cumple con el ICES-003 de Canadá.

Cet appareil numérique de la classe B est conforme à la norme NMB-003 du Canada.

En los productos disponibles en los mercados de los Estados Unidos y Canadá, solo están disponibles los canales 1 a 11. No es posible seleccionar otros canales.

DECLARACIÓN IC SOBRE LA EXPOSICIÓN A LA RADIACIÓN:

Este equipo cumple con los límites de exposición a la radiación establecidos por la IC RSS-102 para un entorno no controlado. Este equipo debe instalarse y utilizarse con una distancia mínima de 8 pulgadas (20 cm) entre el radiador y su cuerpo. Este aparato y sus antenas no deben ubicarse ni utilizarse junto con ninguna otra antena o transmisor excepto si se cumplen los procedimientos de la FCC para productos transmisores múltiples.

GUARDE ESTAS INSTRUCCIONES

Notas

Notas



DA68-03574H-00

dacor[®]

Dacor • 14425 Clark Avenue, City of Industry, CA 91745 • Phone: (800) 793-0093 • Fax: (626) 403-3130 • www.dacor.com



dacor[®]

Manuel d'utilisation

Réfrigérateur encastré
DRF36*





Table des matières

Informations importantes	5
Avant de commencer	5
Consignes de sécurité	6
Consignes et symboles de sécurité importants :	7
Avertissement de la proposition 65 de l'État de Californie (États-Unis uniquement)	7
Symboles d'avertissement importants concernant le transport et le lieu d'installation de l'appareil	7
Avertissements importants concernant l'installation	8
Installation en toute sécurité	10
Avertissements importants concernant l'utilisation	11
Utilisation en toute sécurité	14
Nettoyage en toute sécurité	15
Avertissements importants concernant la mise au rebut	16
Cet appareil est destiné à être utilisé dans les applications domestiques et similaires telles que :	16
Pièces incluses	17
Pièces internes, stockage et rayonnage	17
Opérations	19
Panneau de commande	19
SmartThings	24
Fonction SMART GRID (Réponse à la demande)	27
Fonctions spéciales	31
Utilisation et entretien	34
Remplacement	36
Nettoyage et entretien	38
Nettoyage	38



Dépannage	39
Généralités	39
Votre réfrigérateur émet un bruit anormal?	42
SmartThings	44
Smart Grid (Réponse à la demande)	45
Garantie et service	47
Service client	47
Garantie	47
Annonce de logiciel open source	51
Avis d'application de la réglementation	52
Norme FCC	52
Norme IC	53



Chers clients,

Félicitations pour votre achat des produits Dacor® les plus récents ! Notre combinaison unique de caractéristiques, de style et de performances nous a permis de créer The Life of the Kitchen™, un produit essentiel pour votre foyer.

Afin de vous familiariser avec les commandes, les fonctions et tout le potentiel de votre nouvel appareil Dacor, lisez attentivement ce manuel d'utilisation et d'entretien en commençant par la section des **Consignes importantes de sécurité**.

Tous les appareils Dacor sont conçus et fabriqués avec qualité et fierté dans le respect de nos valeurs d'entreprise. Si vous rencontrez un problème avec votre produit, veuillez d'abord consulter la section Dépannage de ce manuel pour obtenir de l'aide. Il vous donnera des suggestions et des solutions avant de contacter le service d'assistance.

Nos clients nous aident à améliorer nos produits et nos services de façon continue. N'hésitez pas à contacter notre équipe du service client pour obtenir de l'aide en cas de besoin.

Équipe du service client Dacor
14425 Clark Avenue
City of Industry, CA 91745

Téléphone : (800) 793-0093
Fax : (626) 403-3130
Horaires d'ouverture : du lundi au vendredi, de 06 h 00 à 17 h 00 (heure du Pacifique)
Site web : www.Dacor.com

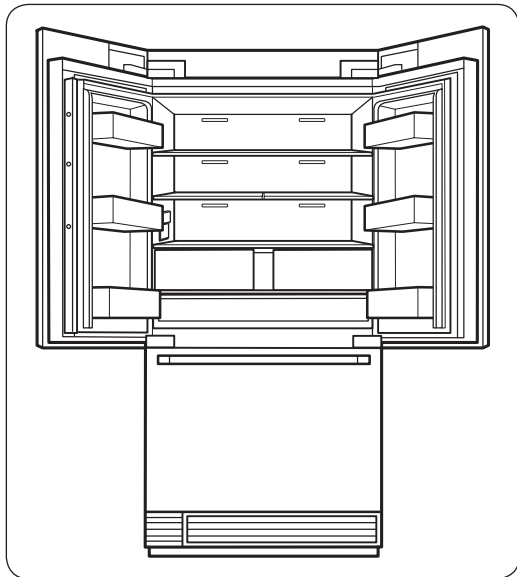
Merci d'avoir choisi Dacor pour votre foyer. Nous sommes une entreprise créée par des familles pour des familles et nous nous mettons au service de la vôtre. Nous sommes convaincus que votre nouveau produit Dacor vous apportera plaisir et hautes performances pendant de nombreuses années.

Sincères salutations,

The Dacor Customer Service Team

Informations importantes

Avant de commencer



Installateur

- Conservez ces consignes d'utilisation et d'entretien avec votre appareil.

Consommateur

- Veuillez lire ce manuel d'utilisation et d'entretien dans son intégralité avant d'utiliser votre réfrigérateur. Gardez-le pour le consulter ultérieurement.

Conservez votre reçu de vente ou un chèque annulé. Une preuve d'achat originale indiquant la date d'achat est requise pour le service de garantie.

Repérez les numéros de modèle et de série pour préparer votre appareil.

Vous trouverez ces numéros sur l'étiquette située à l'intérieur de la paroi du réfrigérateur. Notez ces numéros ci-dessous pour plus de praticité.

Numéro de modèle	
Numéro de série	
Date d'achat	

Nous améliorons de façon continue la qualité et les performances de nos produits. Nous pouvons donc apporter des modifications sur l'appareil sans mettre à jour ce manuel. Visitez le site www.dacor.com pour télécharger la dernière version de ce manuel.

Service client Dacor

Téléphone : (800) 793-0093 (États-Unis et Canada) du lundi au vendredi, de 06 h 00 à 17 h 00 (heure du Pacifique)

Site web : www.dacor.com

Consignes de sécurité

- Avant d'utiliser votre nouveau réfrigérateur Dacor, veuillez lire attentivement ce manuel afin de vous assurer que vous savez comment utiliser de manière sûre et efficace ses différentes fonctionnalités.
- Cet appareil n'est pas conçu pour être utilisé par des personnes (y compris des enfants) manquant d'expérience et de connaissances, ou dont les capacités physiques, sensorielles ou mentales sont réduites, sauf si ces personnes sont sous la surveillance ou ont reçu les instructions d'utilisation appropriées de la personne responsable de leur sécurité. Il est nécessaire de surveiller les enfants pour s'assurer qu'ils ne jouent pas avec l'appareil.
- Les instructions suivantes concernent plusieurs modèles ; il est donc possible que les caractéristiques de votre réfrigérateur soient légèrement différentes de celles spécifiées dans ce manuel.
- Il est dangereux pour quiconque qui n'est pas un agent de maintenance autorisé d'entretenir cet appareil.
- Le gaz réfrigérant qui pourrait s'échapper des tuyaux risquerait de s'enflammer ou de provoquer des lésions oculaires. En cas de fuite de réfrigérant, n'approchez pas de flamme nue, éloignez tout objet inflammable de l'appareil et aérez immédiatement la pièce.
 - Le non-respect de cette consigne risquerait de provoquer un incendie ou une explosion.

AVERTISSEMENT

- Le gaz réfrigérant utilisé est le R-600a. Ce produit contient du gaz inflammable (gaz réfrigérant R-600a) ; veuillez communiquer avec les autorités locales pour obtenir des renseignements sur la mise au rebut en toute sécurité de votre appareil.
- Afin d'éviter la création d'un mélange gaz-air inflammable lorsqu'une fuite se produit dans le circuit frigorifique, la taille de la pièce où l'appareil peut être placé doit être déterminée en fonction de la quantité de gaz réfrigérant utilisée. La pièce doit avoir un volume de 35,3 pi³ pour chaque 8 g de gaz réfrigérant R-600a à l'intérieur de l'appareil.
- L'emplacement choisi pour l'installation ne doit pas être exposé à la lumière directe du soleil et ne doit pas être placé à proximité d'une source de chaleur ou d'un autre appareil électrique, par exemple d'une cuisinière, d'un four, d'une plaque chauffante ou encore d'un radiateur.
- Pour des raisons de sécurité, si vous utilisez deux produits côte à côte, assurez-vous d'utiliser des produits certifiés dans les atmosphères contenant des gaz explosifs.
- Ne démarrez jamais un appareil qui présente des signes d'endommagement. En cas de doutes, contactez votre revendeur.



Avertissement : Risque d'incendie / matériaux inflammables

Consignes et symboles de sécurité importants :

Veillez suivre toutes les instructions relatives à la sécurité fournies dans le présent manuel. Le présent manuel utilise les symboles de sécurité suivants.

AVERTISSEMENT

Risques ou manipulations dangereuses susceptibles d'entraîner des **blessures graves, des dégâts matériels et/ou la mort.**

ATTENTION

Risques ou manipulations dangereuses susceptibles d'entraîner des **blessures graves et/ou des dégâts matériels.**

REMARQUE

Informations utiles qui aident l'utilisateur à comprendre ou utiliser le réfrigérateur.

Ces symboles d'avertissement ont pour but d'éviter tout risque de blessure.

Respectez-les en toutes circonstances.

Lisez attentivement la présente section et conservez le manuel en lieu sûr afin de pouvoir le consulter ultérieurement.

Avertissement de la proposition 65 de l'État de Californie (États-Unis uniquement)

AVERTISSEMENT : Cancer et troubles de la reproduction : www.P65Warnings.ca.gov.

Symboles d'avertissement importants concernant le transport et le lieu d'installation de l'appareil

AVERTISSEMENT

- Veillez à ce qu'aucune pièce du circuit frigorifique ne soit endommagée pendant le transport ou l'installation de l'appareil.
 - Risque d'incendie ou de lésions oculaires en cas de fuite de réfrigérant. En cas de fuite, n'approchez pas de flamme nue ou de source d'inflammation potentielle et aérez la pièce pendant plusieurs minutes.
 - Cet appareil contient une faible quantité de réfrigérant isobutane (R-600a), un gaz naturel présentant une compatibilité écologique élevée, mais qui est aussi inflammable. Veillez à ce qu'aucune pièce du circuit frigorifique ne soit endommagée pendant le transport ou l'installation de l'appareil.



Consignes de sécurité

Avertissements importants concernant l'installation

AVERTISSEMENT

- N'installez pas le réfrigérateur dans un lieu humide ou dans un lieu où il est susceptible d'être en contact avec de l'eau.
 - Une détérioration de l'isolation sur des composants électriques est susceptible de provoquer un choc électrique ou un incendie.
- N'installez pas le réfrigérateur dans un endroit exposé à la lumière directe du soleil ou à proximité d'une cuisinière, d'un appareil de chauffage ou d'autres appareils.
- Ne branchez pas plusieurs appareils dans la même multiprise. Le réfrigérateur doit toujours être branché dans une prise de courant indépendante dotée d'une tension nominale correspondant à celle figurant sur la plaque signalétique du réfrigérateur.
 - Ceci permet de bénéficier de performances optimales mais également d'éviter une surcharge des circuits électriques de la maison, ce qui pourrait entraîner une surchauffe des fils et présenter un risque d'incendie.
- Ne branchez pas la fiche d'alimentation dans une prise murale mal fixée.
 - Cela risquerait d'entraîner un choc électrique ou un incendie.
- N'utilisez pas de cordon dont la gaine est craquelée ou endommagée à quelque endroit ou à l'une de ses extrémités.
- Ne pliez pas le cordon d'alimentation à l'excès et ne posez pas d'objets lourds dessus.
- Ne tirez pas ou ne pliez pas excessivement le cordon d'alimentation.
- Ne tordez pas ou ne nouez pas le cordon d'alimentation.
- N'accrochez pas le cordon d'alimentation sur un objet métallique, ne placez pas un objet lourd sur le cordon d'alimentation, n'insérez pas le cordon d'alimentation entre des objets, ou n'enfoncez pas le cordon d'alimentation dans l'espace situé derrière l'appareil.
- Ne débranchez jamais le réfrigérateur en tirant sur le cordon d'alimentation. Maintenez toujours fermement la fiche pour la débrancher de la prise de courant.
 - Tout dommage causé au cordon est susceptible d'entraîner un court-circuit, un incendie et/ou un choc électrique.
- Dans cet appareil, ne stockez pas de substances explosives telles que des aérosols avec un propulseur inflammable.
- N'installez pas cet appareil près d'une source de chaleur ni d'un matériau inflammable.
- N'installez pas cet appareil dans un endroit où des fuites de gaz sont susceptibles de se produire.
 - Un choc électrique ou un incendie pourraient en résulter.
- Ce réfrigérateur doit être correctement situé et installé conformément aux instructions du présent manuel avant d'être utilisé.
- Branchez la fiche d'alimentation de façon à ce que le cordon pende vers le bas.
 - Si vous branchez la fiche d'alimentation à l'envers, le fil est susceptible de se rompre et de provoquer un incendie ou un choc électrique.



- Assurez-vous que la fiche d'alimentation n'est pas écrasée ou endommagée par le dos du réfrigérateur.
- Gardez les matériaux d'emballage hors de portée des enfants.
 - Il y a un risque d'asphyxie si un enfant place les matériaux d'emballage sur sa tête.
- L'appareil doit être positionné de façon à ce que la fiche reste accessible après l'installation.
 - Le non-respect de cette consigne risquerait de provoquer un choc électrique ou un incendie en raison de fuites électriques.
- N'installez pas cet appareil dans un lieu humide, huileux ou poussiéreux, ni dans un endroit exposé directement au soleil ou à l'eau (gouttes de pluie).
 - Une détérioration de l'isolation sur des composants électriques est susceptible de provoquer un choc électrique ou un incendie.
- Si de grandes quantités de poussière ou d'eau entrent dans le réfrigérateur, mettez l'appareil hors tension et prenez contact avec votre centre de service Dacor.
 - Sinon, il pourrait y avoir un risque d'incendie.
- Vous devez retirer toutes les pellicules protectrices en plastique avant de brancher l'appareil pour la première fois.
- Les enfants doivent être sous surveillance afin de s'assurer qu'ils ne jouent pas avec les circlips utilisés pour l'ajustement de la porte ou avec les brides du tuyau d'eau.
 - Il existe un risque de mort par suffocation si un enfant avale un circlip ou une bride du tuyau d'eau. Tenez les circlips et les brides du tuyau d'eau hors de portée des enfants.
- Le réfrigérateur doit être correctement mis à la terre.
 - Veillez toujours à ce que le réfrigérateur soit branché à la terre avant de vérifier ou de réparer n'importe quelle partie de l'appareil. Les fuites électriques peuvent provoquer des chocs électriques graves.
- N'utilisez jamais de conduites de gaz, de fils téléphoniques ou d'autres éléments susceptibles d'attirer la foudre pour relier l'appareil à la terre.
 - Le réfrigérateur doit être mis à la terre afin d'éviter les dissipations d'énergie ou les chocs électriques provoqués par les fuites de courant de l'appareil.
 - Le non-respect de cette consigne risque d'entraîner un choc électrique, un incendie, une explosion ou un dysfonctionnement de l'appareil.
 - Toute utilisation non conforme de la fiche de mise à la terre peut présenter un risque de choc électrique. Si l'utilisation d'une rallonge s'avère nécessaire, utilisez uniquement une rallonge à trois fils munie d'une fiche de mise à la terre à trois broches que vous brancherez dans une prise à trois alvéoles compatible avec la fiche de l'appareil. Les caractéristiques électriques de la rallonge doivent être de 115-120 V c.a. et 10 A minimum. Si un adaptateur de mise à la terre est utilisé, vérifiez que la boîte de prise de courant est entièrement mise à la terre.
- Branchez fermement la fiche dans la prise murale. N'utilisez pas de fiche d'alimentation endommagée, de cordon d'alimentation endommagé ou de prise murale mal fixée.
 - Un choc électrique ou un incendie pourraient en résulter.



Consignes de sécurité

- Si le cordon d'alimentation est endommagé, demandez son remplacement immédiat par le fabricant ou ses fournisseurs de service.
- Seul un technicien qualifié ou une société de service doit être autorisé(e) à changer le fusible dans le réfrigérateur.
 - Le non-respect de cette consigne risquerait de provoquer un choc électrique ou des blessures corporelles.
- La prise murale doit être facilement accessible afin de pouvoir rapidement débrancher l'appareil de la prise murale en cas d'urgence. Elle ne doit pas se situer derrière l'appareil.
- Lors du positionnement de l'appareil, assurez-vous que le cordon d'alimentation n'est pas coincé ou endommagé.
- Ne placez pas plusieurs rallonges électriques ou sources d'alimentation portables à l'arrière de l'appareil.
- N'obstruez pas les orifices de ventilation à l'intérieur du caisson de l'appareil ou de la structure encastrée.
- Raccordez l'appareil à une source d'eau potable uniquement.
- Afin d'éviter tout danger lié à l'instabilité de l'appareil, ce dernier doit être fixé conformément aux instructions.

Installation en toute sécurité

ATTENTION

- Laissez un espace suffisant autour du réfrigérateur et installez celui-ci sur une surface plane.
 - N'obstruez pas l'espace de ventilation à l'intérieur du réfrigérateur ou de son caisson.
- Après avoir installé et mis sous tension votre réfrigérateur, laissez l'appareil au repos pendant 2 heures avant de le remplir d'aliments.
- Il est vivement recommandé de faire appel à un technicien qualifié ou à une entreprise de dépannage pour installer le réfrigérateur.
 - Le non-respect de cette consigne risque d'entraîner un dysfonctionnement, un choc électrique, un incendie, une explosion ou des blessures corporelles.
- Si vous surchargez l'une des portes, le réfrigérateur peut se renverser et vous pouvez vous blesser.



Avertissements importants concernant l'utilisation

AVERTISSEMENT

- Ne branchez pas la prise d'alimentation si vous avez les mains mouillées.
 - Cela pourrait causer un choc électrique.
- N'entreposez pas d'objets sur le dessus de l'appareil.
 - Lors de l'ouverture ou de la fermeture de la porte, les objets pourraient tomber et provoquer des blessures corporelles et/ou des dommages matériels.
- Ne placez pas vos mains, vos pieds, ni des objets métalliques (baguettes métalliques, etc.) sous le réfrigérateur ou à l'arrière de celui-ci.
 - Un choc électrique ou des blessures corporelles pourraient en résulter.
 - Les bords coupants sont susceptibles de provoquer des blessures corporelles.
- Ne touchez pas les parois intérieures du congélateur ni les produits qui y sont rangés si vous avez les mains mouillées.
 - Risque de gelures.
- Ne placez pas de récipient rempli d'eau sur le réfrigérateur.
 - En cas de renversement, cela pourrait entraîner un incendie ou un choc électrique.
- Ne stockez pas d'objets ou de substances volatiles ou inflammables (benzène, diluant, propane, alcool, éther, gaz liquéfié et toute autre substance similaire) dans le réfrigérateur.
 - Le réfrigérateur a été conçu exclusivement pour le rangement de produits alimentaires.
 - Cela pourrait entraîner un incendie ou une explosion.
- Il est nécessaire de surveiller les enfants pour s'assurer qu'ils ne jouent pas avec l'appareil.
 - Maintenez les doigts éloignés des zones de pincement et des charnières des portes. Soyez attentif lorsque vous fermez les portes si des enfants se trouvent à proximité.
- Ne laissez pas les enfants se suspendre à la porte de l'appareil ou aux bacs des portes. Ils risqueraient de se blesser.
- Ne laissez pas les enfants entrer dans le réfrigérateur. Ils risqueraient de rester emprisonnés.
- Ne placez pas vos mains sous l'appareil.
 - Les bords coupants sont susceptibles de provoquer des blessures corporelles.
- Ne rangez pas de produits pharmaceutiques, chimiques ou sensibles aux températures dans le réfrigérateur.
 - Les produits nécessitant un contrôle strict de la température ne doivent pas être entreposés dans le réfrigérateur.
- Ne placez pas et n'utilisez pas d'appareils électriques à l'intérieur du réfrigérateur/congélateur sauf s'il s'agit d'un type recommandé par le fabricant.
- Si l'appareil dégage de la fumée, mettez-le immédiatement hors tension puis prenez contact avec votre centre de service Dacor.

Consignes de sécurité

- Si de grandes quantités de poussière ou d'eau entrent dans le réfrigérateur, mettez l'appareil hors tension et prenez contact avec votre centre de service Dacor.
 - Sinon, il pourrait y avoir un risque d'incendie.
- Ne laissez pas les enfants monter sur un bac.
 - Le bac risquerait de se casser et de provoquer leur chute.
- Ne laissez pas les portes du réfrigérateur ouvertes lorsque l'appareil n'est pas sous surveillance et ne laissez pas les enfants se glisser à l'intérieur de l'appareil.
- Ne laissez pas les jeunes enfants s'approcher d'un tiroir.
 - Ils pourraient s'étouffer ou se blesser.
- Ne remplissez pas trop le réfrigérateur.
 - Lors de l'ouverture de la porte, un article pourrait tomber et provoquer des blessures corporelles ou des dommages matériels.
- Ne vaporisez pas de substance volatile telle qu'un insecticide sur la surface de l'appareil.
 - Ces produits peuvent s'avérer dangereux pour la santé et risquent en outre de provoquer un choc électrique, un incendie ou un dysfonctionnement de l'appareil.
- Ne mettez jamais les doigts ni d'objets dans la sortie du distributeur d'eau, le conduit d'écoulement ou le bac à glaçons.
 - Cela pourrait provoquer des blessures corporelles ou des dommages matériels.
- N'utilisez pas ni n'entreposez pas de substances thermosensibles (ex. : pulvérisateurs ou objets inflammables, glace sèche, médicaments ou produits chimiques) à proximité ou à l'intérieur du réfrigérateur.
- N'utilisez pas de séchoir à cheveux pour sécher l'intérieur du réfrigérateur. Ne placez pas de bougie allumée à l'intérieur du réfrigérateur pour en éliminer les mauvaises odeurs.
 - Un choc électrique ou un incendie pourraient en résulter.
- Remplissez le réservoir d'eau et le bac à glaçons d'eau potable uniquement (eau du robinet, eau minérale ou eau purifiée).
 - Ne remplissez pas le réservoir avec du thé, du jus ou une boisson énergisante. Cela pourrait endommager le réfrigérateur.
- N'utilisez pas d'appareil mécanique ni de dispositif susceptible d'accélérer le processus de décongélation, autres que ceux recommandés par le fabricant.
- N'endommagez pas le circuit de réfrigération.
- Ne placez pas les tablettes dans le réfrigérateur à l'envers. La butée des tablettes ne fonctionnera pas.
 - La tablette en verre pourrait tomber et provoquer des blessures corporelles.
- Si une fuite de gaz est détectée, évitez toute flamme nue ou source potentielle d'inflammation et aérez pendant plusieurs minutes la pièce dans laquelle se trouve l'appareil.
 - Ne touchez pas à l'appareil ou au cordon d'alimentation.
 - N'utilisez pas de ventilateur.
 - Une étincelle risquerait de provoquer une explosion ou un incendie.

-
- Utilisez uniquement les ampoules DEL fournies par le fabricant ou son réparateur autorisé.
 - Serrez les bouteilles les unes contre les autres pour éviter qu'elles ne glissent ou ne tombent.
 - Cet appareil est destiné au rangement des aliments dans un environnement domestique uniquement.
 - Ne mettez jamais les doigts ni d'objets dans la sortie du distributeur d'eau, le conduit d'écoulement ou le bac à glaçons.
 - Cela peut provoquer des blessures corporelles ou des dommages matériels.
 - Ne tentez pas de réparer, démonter ou modifier le réfrigérateur vous-même.
 - Des modifications non autorisées peuvent générer des problèmes de sécurité. Pour annuler une modification non autorisée, nous facturons le coût total des pièces et de la main d'œuvre.
 - N'utilisez aucun fusible (tel que du cuivre, un fil d'acier, etc.) autre qu'un fusible standard.
 - Si votre réfrigérateur doit être réparé ou réinstallé, communiquez avec le centre de service le plus près.
 - Le non-respect de cette consigne risque d'entraîner un dysfonctionnement, un choc électrique, un incendie ou des blessures corporelles.
 - Veuillez contacter votre centre de service Dacor le plus proche lorsque l'ampoule DEL intérieure ou extérieure est grillée.
 - Si le réfrigérateur dégage une odeur de brûlé ou de la fumée, débranchez-le immédiatement et prenez contact avec un centre de service Dacor.
 - Le non-respect de cette consigne risquerait de provoquer un incendie ou un choc électrique.
 - Débranchez le réfrigérateur avant de remplacer les ampoules intérieures.
 - Sinon, il pourrait y avoir un risque de choc électrique.
 - Communiquez avec votre centre de service Dacor si vous éprouvez des difficultés à remplacer une ampoule (qui n'est pas une DEL).
 - Si l'appareil est équipé d'ampoules DEL, ne démontez pas vous-même les caches des lampes et les ampoules.
 - Contactez un centre de service Dacor.
 - Branchez fermement la fiche dans la prise murale.
 - N'utilisez pas de fiche d'alimentation endommagée, de cordon d'alimentation endommagé ou de prise murale mal fixée.
 - Un choc électrique ou un incendie pourraient en résulter.



Consignes de sécurité

Utilisation en toute sécurité

ATTENTION

- Ne recongelez pas un aliment qui a complètement décongelé. Ne mettez pas de boissons gazeuses dans la partie congélateur. Ne mettez pas de bouteilles ou de récipients en verre dans le congélateur.
 - Si le contenu gèle, le verre est susceptible de se briser et de provoquer des blessures corporelles.
- Utilisez uniquement la machine à glaçons fournie avec le réfrigérateur.
- Pour un fonctionnement optimal de l'appareil :
 - Ne placez pas d'aliments trop près des orifices de ventilation à l'arrière du réfrigérateur car ils pourraient empêcher la libre circulation de l'air dans la partie réfrigération.
 - Emballez bien les aliments ou mettez-les dans des récipients hermétiques avant de les placer dans le réfrigérateur.
 - Ne mettez pas de bouteilles en verre ni de boissons gazeuses dans le congélateur. Ils peuvent geler et se casser. Des contenants de verre ou de boisson peuvent causer une blessure.
 - Respectez les durées de congélation et les dates de péremption associées aux aliments surgelés.
- Ne placez pas de récipients ou de bouteilles en verre ni de boissons gazeuses dans le congélateur.
 - Le récipient peut geler et se briser, ce qui peut entraîner une blessure.
- Garantie de réparation et modification.
 - Les changements et modifications apportés à cet appareil par un tiers ne sont pas couverts par le service de garantie Dacor. Dacor ne peut être tenue responsable des problèmes de sécurité résultant des modifications apportées par un tiers.
- N'obstruez pas les orifices de ventilation à l'intérieur du réfrigérateur.
 - Si les ventilations d'air sont obstruées, notamment par un sac en plastique, le réfrigérateur risque de trop refroidir.
- Si le réfrigérateur est débranché de la prise d'alimentation, patientez au moins cinq minutes avant de le rebrancher.
- Si de grandes quantités d'eau entrent dans le réfrigérateur, mettez l'appareil hors tension et prenez contact avec un centre de service Dacor.
- Ne frappez pas une surface en verre ou n'y appliquez pas une force excessive.
 - Du verre brisé pourrait entraîner des blessures corporelles et/ou des dommages.
- Remplissez le réservoir et le bac à glaçons d'eau potable uniquement (eau du robinet, eau minérale ou eau purifiée).
 - Ne remplissez pas le réservoir avec du thé, du jus ou une boisson énergisante. Cela pourrait endommager le réfrigérateur.
- Si le réfrigérateur est inondé, coupez l'alimentation de ce dernier et prenez contact avec votre centre de service Dacor le plus proche.
 - Un choc électrique ou un incendie pourraient en résulter.



Nettoyage en toute sécurité

ATTENTION

- Ne vaporisez pas directement de l'eau à l'intérieur ou à l'extérieur du réfrigérateur.
 - Risque d'incendie ou de choc électrique.
- N'utilisez pas de séchoir à cheveux pour sécher l'intérieur du réfrigérateur.
- Ne placez pas de bougie allumée à l'intérieur du réfrigérateur pour en éliminer les mauvaises odeurs.
 - Un choc électrique ou un incendie pourraient en résulter.
- Ne vaporisez pas de produit de nettoyage directement sur l'écran.
 - Les caractères imprimés risqueraient de s'effacer.
- Si un corps étranger tel que de l'eau a pénétré dans l'appareil, mettez ce dernier hors tension et prenez contact avec le centre de service le plus proche.
 - Le non-respect de cette consigne risquerait de provoquer un incendie ou un choc électrique.
- Utilisez un chiffon propre et sec pour éliminer toute poussière ou corps étranger des lames de la fiche d'alimentation. N'utilisez pas de chiffon mouillé ou humide lors du nettoyage de la prise.
 - Sinon, il pourrait y avoir un risque d'incendie ou de choc électrique.
- Ne nettoyez pas l'appareil en vaporisant de l'eau directement sur celui-ci.
- N'utilisez pas de benzène, de diluant ou d'eau de Javel (Clorox) pour le nettoyage du réfrigérateur.
 - Ces produits risquent d'endommager la surface de l'appareil et de provoquer un incendie.
- Ne mettez jamais les doigts ni d'objets dans la sortie du distributeur.
 - Cela peut provoquer des blessures corporelles ou des dommages matériels.
- Débranchez l'appareil de la prise murale avant de le nettoyer et d'en faire l'entretien.
 - Le non-respect de cette consigne risquerait de provoquer un incendie ou un choc électrique.



Consignes de sécurité

Avertissements importants concernant la mise au rebut

AVERTISSEMENT

- **DANGER** : Les enfants risqueraient de se retrouver enfermés. Avant de jeter votre vieux réfrigérateur ou congélateur :
 - Retirez les portes et le loquet de la porte.
 - Ne retirez pas les clayettes afin que les enfants ne puissent pas facilement monter à l'intérieur de l'appareil.
 - Les enfants qui se retrouvent coincés à l'intérieur peuvent se blesser ou suffoquer et en mourir.
- Jetez le matériel d'emballage de cet appareil dans le respect de l'environnement.
- Assurez-vous qu'aucun des tuyaux situés à l'arrière du réfrigérateur n'est endommagé avant sa mise au rebut.
- Le gaz réfrigérant utilisé est le R-600a. Ce produit contient du gaz inflammable (gaz réfrigérant R-600a) ; veuillez communiquer avec les autorités locales pour obtenir des renseignements sur la mise au rebut en toute sécurité de votre appareil.
- Lors de la mise au rebut de ce réfrigérateur, retirez la porte/les joints de porte ainsi que le loquet de la porte afin que des petits enfants ou des animaux ne puissent pas se retrouver enfermés à l'intérieur. Il est nécessaire de surveiller les enfants pour s'assurer qu'ils ne jouent pas avec l'appareil.
 - S'il se retrouve emprisonné à l'intérieur, l'enfant risquerait de se blesser ou de s'asphyxier.
- Du cyclopentane est utilisé comme isolant. Les gaz utilisés pour l'isolation nécessitent une procédure d'élimination spéciale. Pour obtenir des renseignements sur la façon écologique de mettre ce produit au rebut, veuillez communiquer avec les autorités locales.
- Conservez les matériaux d'emballage hors de portée des enfants, car ils présentent un danger pour ces derniers.
 - Un enfant pourrait suffoquer s'il met sa tête dans un sac.

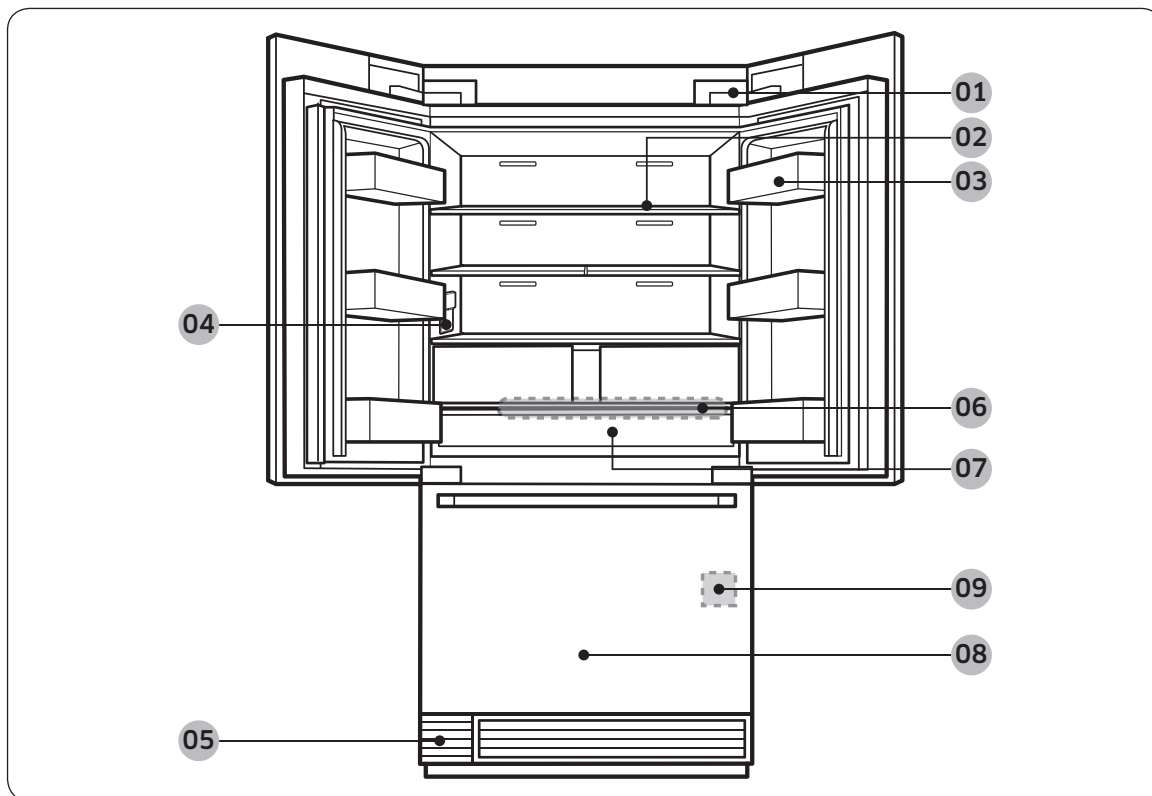
Cet appareil est destiné à être utilisé dans les applications domestiques et similaires telles que :

- zones de cuisine du personnel dans les magasins, bureaux et autres environnements de travail ;
- fermes et clients d'hôtels, motels et autres environnements de type résidentiel ;
- environnements de type « chambres d'hôtes » ;
- applications de restauration et collectives similaires.



Pièces incluses

Pièces internes, stockage et rayonnage



01 Bouton de mise sous/hors tension

03 Bacs de la porte

05 (Couvercle du) filtre à eau

07 Zone fraîche

09 Numéro de série (sur la paroi du congélateur)

02 Clayettes

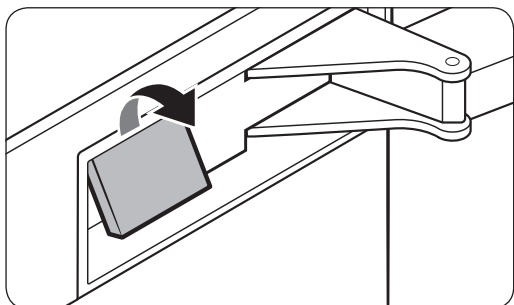
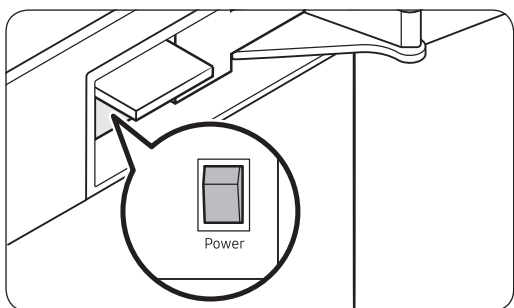
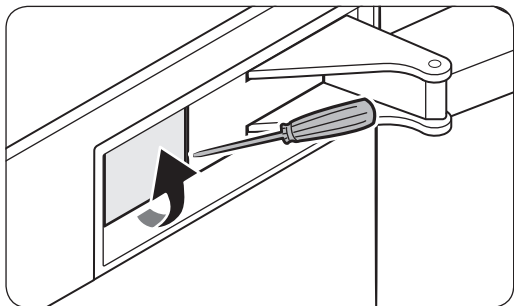
04 Distributeur d'eau

06 Panneau de commande (sur la Zone fraîche)

08 Congélateur

Pièces incluses

Boîte de distribution



- Utilisez un tournevis à tête plate pour ouvrir le cache de la boîte de distribution.
- La pièce noire correspond au bouton de mise sous/hors tension.
- Fermez le cache de la boîte de distribution.

Opérations

Panneau de commande



01 Fridge (Réfrigérateur) /
Power Cool (Refroidissement rapide)

03 FreshZone (Zone fraîche)

05 Filter Reset (Réinitialisation du filtre)

07 Door Alarm (Alarme de la porte) / °C ↔ °F

09 Control Lock (Verrouillage de commande)

11 Mode Sabbath

02 Freezer (Congélateur) /
Power Freeze (Congélation rapide)

04 Ice Maker (Machine à glaçons)

06 Deodorizer Reset (Réinitialisation du
désodorisant)

08 Override

10 Connexion au réseau


12 Sans refroidissement

REMARQUE

- Lorsque vous changez la température sur le panneau, le panneau affiche la température réelle à l'intérieur du réfrigérateur jusqu'à ce que la température corresponde à la température que vous avez réglée. Ensuite, le panneau affiche la nouvelle température réglée. Notez que cela prendra du temps au réfrigérateur pour atteindre la nouvelle température. Ceci est tout à fait normal. Durant cette période, vous n'avez pas besoin de régler la température à nouveau.
- Si aucun bouton n'est actionné pendant 10 secondes après la désactivation de Verrouillage de commande, l'écran s'éteindra, sauf le bouton Verrouillage de commande. Pour allumer l'écran, appuyez sur le bouton **Control Lock (Verrouillage de commande)**.
- Si le panneau de commande présente de l'humidité et du liquide sur sa surface, il peut tomber. Essayez l'humidité ou le liquide à l'aide d'un chiffon sec puis réessayez.


Opérations

01 Réfrigérateur / Refroidissement rapide (3 s)

Fridge (Réfrigérateur)	<p>Le bouton Fridge (Réfrigérateur) permet de régler la température du réfrigérateur ou d'activer/désactiver la fonction Refroidissement rapide.</p> <p>Vous pouvez ajuster manuellement la température de refroidissement pour le réfrigérateur. Le voyant de température vous informe de la température actuellement réglée ou sélectionnée. Maintenez le bouton Fridge (Réfrigérateur) enfoncé pour sélectionner la température de votre choix comprise entre 34 °F (1 °C) et 44 °F (7 °C).</p>
Power Cool (Refroidissement rapide)	<p>La fonction Refroidissement rapide accélère le processus de refroidissement (ventilateur à vitesse maximale). Le réfrigérateur fonctionne à vitesse maximale durant plusieurs heures avant de revenir à la température précédente.</p> <ul style="list-style-type: none">• Pour activer la fonction Refroidissement rapide, appuyez sur le bouton Fridge (Réfrigérateur) en le maintenant enfoncé pendant 3 secondes. Le voyant correspondant (🌡️) s'allume et le réfrigérateur accélérera le processus de refroidissement pour vous.• Pour désactiver la fonction Refroidissement rapide, appuyez sur le bouton Fridge (Réfrigérateur) en le maintenant enfoncé pendant 3 secondes. Le réfrigérateur revient au réglage de température précédent. <p> REMARQUE</p> <p>L'utilisation de la fonction Refroidissement rapide augmente la consommation électrique. Assurez-vous de l'éteindre pour revenir à la température précédente si vous n'avez pas l'intention d'utiliser cette fonction.</p>

02 Congélateur / Congélation rapide (3 s)

Freezer (Congélateur)	<p>Vous pouvez utiliser le bouton Freezer (Congélateur) pour régler la température du congélateur ou pour activer/désactiver la fonction Congélation rapide. Pour régler la température du congélateur, appuyez plusieurs fois sur le bouton Freezer (Congélateur). Les températures disponibles sont comprises entre 5 °F (-15 °C) et -8 °F (-23 °C).</p>
Power Freeze (Congélation rapide)	<p>La fonction Congélation rapide abaisse la température du congélateur et accélère le processus de congélation. En mode Congélation rapide, le congélateur tourne à pleine puissance pendant plusieurs heures, puis revient en fonctionnement normal et reprend le paramètre de température précédent.</p> <ul style="list-style-type: none">• Pour activer la fonction Congélation rapide, appuyez sur le bouton Freezer (Congélateur) pendant 3 secondes. Le voyant correspondant (❄️) s'allume et le réfrigérateur accélère le processus de congélation pour vous.• Pour désactiver la fonction, maintenez à nouveau le bouton Freezer (Congélateur) enfoncé pendant 3 secondes.

Power Freeze (Congélation rapide)	 REMARQUE L'utilisation de la fonction Congélation rapide augmente la consommation électrique. Si vous n'avez pas besoin que la fonction Congélation rapide soit activée, pensez à la désactiver de sorte que le réfrigérateur puisse revenir en fonctionnement normal et reprendre le paramètre de température précédent.
--------------------------------------	---

03 Zone fraîche

La Zone fraîche est un tiroir pleine largeur doté d'un système de contrôle de la température. Une sonde thermique permet de régler la quantité d'air froid envoyée dans cette zone.

- Appuyez plusieurs fois sur le bouton **FreshZone (Zone fraîche)** pour sélectionner le mode souhaité. Le mode Fromage est sélectionné par défaut.
- Le réfrigérateur ajuste la température de la Zone fraîche selon le mode sélectionné.

Mode	Description	Exemples
Cheese (Fromage)	Permet de garder des aliments au frais plus longtemps. La température de la Zone fraîche sera maintenue à 37 °F (3 °C).	Ananas, citron, biscuits, pommes de terre, fromage
Cold Drinks (Boissons fraîches)	Permet de garder des boissons au frais. La température de la Zone fraîche sera maintenue à 33 °F (1 °C).	Eau en bouteille, jus, sodas, bière
Chill/Meat (Réfrigération/ Viande)	Permet de conserver la viande ou le poisson au frais plus longtemps. La température de la Zone fraîche sera maintenue à 29 °F (-1 °C).	Steak, charcuterie, bacon, saucisse à hot-dog

ATTENTION

- N'utilisez pas la Zone fraîche pour conserver des fruits ou des légumes feuillus. Ils risqueraient de s'abîmer en raison du froid.
- Ne placez pas de bouteilles en verre dans la Zone fraîche en mode Réfrigération/Viande. Elles risqueraient d'éclater et de vous blesser.

04 Machine à glaçons (3 s)

Ice Maker (Machine à glaçons)	Pour allumer la machine à glaçons, maintenez le bouton Ice Maker (Machine à glaçons) enfoncé pendant plus de 3 secondes. Le voyant passe sur ON (ACTIVATION). Pour éteindre la machine à glaçons, maintenez de nouveau le bouton Ice Maker (Machine à glaçons) enfoncé pendant plus de 3 secondes. Le voyant passe sur OFF (DÉSACTIVATION).
----------------------------------	--

Opérations

05 Réinitialisation du filtre (3 s)

Filter Reset (Réinitialisation du filtre)	<p>Après environ 6 mois d'utilisation du filtre à eau d'origine (qui traite généralement environ 300 gallons (1 136 litres) d'eau), le voyant Filtre clignote en rouge pour vous rappeler de remplacer le filtre.</p> <p>Si tel est le cas, remplacez le filtre puis maintenez le bouton Filter Reset (Réinitialisation du filtre) enfoncé pendant 3 secondes. Cette opération permet de réinitialiser le détecteur de cycle de vie du filtre et d'éteindre le voyant Filtre.</p> <p>REMARQUE</p> <ul style="list-style-type: none">• L'eau de certaines régions a une teneur relativement importante en calcaire. Cela peut réduire le cycle de vie du filtre. Dans ces régions, vous devrez remplacer le filtre à eau plus fréquemment que l'intervalle indiqué ci-dessus.• Si l'eau ne se verse pas correctement, le filtre à eau est très probablement bouché. Même si l'indicateur du filtre ne clignote pas, remplacez le filtre à eau.
--	--

06 Réinitialisation du désodorisant (3 s)

Deodorizer Reset (Réinitialisation du désodorisant)	<p>Après environ 18 mois d'utilisation du filtre d'origine du désodorisant, le voyant Filtre clignote en rouge pour vous rappeler que le filtre doit être remplacé. Si tel est le cas, remplacez le filtre puis maintenez le bouton Deodorizer Reset (Réinitialisation du désodorisant) enfoncé pendant 3 secondes. Le cycle de vie du filtre est réinitialisé et le voyant Filtre s'éteint.</p>
--	---

07 Alarme de la porte / °C ↔ °F (3 s)

Door Alarm (Alarme de la porte)	<p>Vous pouvez activer ou désactiver l'alarme de la porte en appuyant sur le bouton Door Alarm (Alarme de la porte). Lorsque la fonction Alarme de la porte est activée et qu'une porte est laissée ouverte pendant plus de 2 minutes, l'alarme retentit et le voyant Alarme de la porte clignote. La fonction Alarme de la porte est activée par défaut en usine.</p>
°C ↔ °F	<p>Vous pouvez utiliser le bouton Door Alarm (Alarme de la porte) pour alterner d'échelle de température entre Celsius et Fahrenheit.</p> <p>Pour alterner l'échelle de température, maintenez le bouton Door Alarm (Alarme de la porte) enfoncé pendant 3 secondes.</p>

08 Override (3 s)

Override	<p>La fonction Override active/désactive la fonction Smart Grid (Réponse à la demande).</p> <p>Appuyez sur le bouton Override pendant 3 secondes pour activer/désactiver la fonction Override.</p>
----------	---

09 Verrouillage de commande (3 s)

Control Lock (Verrouillage de commande)	<p>Pour éviter tout changement accidentel de paramètres, maintenez le bouton Control Lock (Verrouillage de commande) enfoncé pendant 3 secondes. Le panneau principal est désactivé et le voyant de verrouillage (—) s'allume.</p> <p>Si vous rappuyez sur ce bouton en le maintenant enfoncé pendant plus de 3 secondes, la fonction Verrouillage de commande sera désactivée. Toutefois, la fonction Verrouillage de commande se réactive si aucun bouton n'est actionné dans la minute qui suit.</p>
Authentification du périphérique	<p>Pour authentifier votre appareil, maintenez le bouton Control Lock (Verrouillage de commande) enfoncé pendant 5 secondes. L'appareil émet un signal sonore et affiche le message « on » (activation) sur l'écran de température pendant 5 secondes.</p>

10 Connexion au réseau (modèles applicables uniquement)

Vous pouvez contrôler et surveiller votre réfrigérateur via l'application SmartThings. Pour plus d'informations, reportez-vous à la section SmartThings.

11 Mode Sabbat

Le mode Sabbat reste actif durant les 85 heures suivant son activation. Passé ce délai, il sera automatiquement désactivé.

- Pour activer le mode Sabbat, appuyez simultanément sur les boutons **Freezer (Congélateur)** et **Door Alarm (Alarme de la porte)** pendant 5 secondes. Le réfrigérateur passe ensuite en mode Sabbat dans lequel les boutons, l'écran et les voyants des compartiments sont tous sous contrôle.
- Pour désactiver le mode Sabbat, rappuyez sur ces boutons en les maintenant enfoncés pendant 5 secondes.

REMARQUE

- Si le voyant Verrouillage de commande s'allume, vous devez d'abord désactiver la fonction Verrouillage de commande.
- Même après le redémarrage du réfrigérateur, le mode Sabbat reste actif. Vous devez d'abord le désactiver.

Opérations

12 Sans refroidissement

Le mode Sans refroidissement (également appelé mode Démo) est destiné aux vendeurs qui mettent les réfrigérateurs en démonstration dans leur magasin.

En mode Sans refroidissement, seuls le moteur du ventilateur et les voyants fonctionnent normalement ; les compresseurs sont désactivés pour que le réfrigérateur et le congélateur ne produisent pas de froid.

- Pour passer en mode Sans refroidissement, maintenez les boutons **Ice Maker (Machine à glaçons)**, **Filter Reset (Réinitialisation du filtre)** et **Override** simultanément enfoncés pendant 5 secondes. Le réfrigérateur émet un signal sonore et le message « OFF » (DÉSACTIVATION) clignote sur l'écran de la température.
- Pour quitter le mode Sans refroidissement, maintenez de nouveau les boutons **Ice Maker (Machine à glaçons)**, **Filter Reset (Réinitialisation du filtre)** et **Override** simultanément enfoncés pendant 5 secondes.

REMARQUE

Si le voyant Verrouillage de commande s'allume, vous devez d'abord désactiver la fonction Verrouillage de commande.

SmartThings

Installation

Rendez-vous sur Google Play Store, Galaxy Apps ou Apple App Store et recherchez « SmartThings ». Téléchargez et installez l'application SmartThings fournie par Samsung Electronics sur votre appareil intelligent.

REMARQUE

- L'application SmartThings n'est pas disponible pour certains modèles de tablette, iPad et smartphone.
 - Prise en charge nécessitant le système d'exploitation [Android] 6.0 ou une version ultérieure. (minimum 2 Go de mémoire RAM)
 - Prise en charge nécessitant le système d'exploitation [iOS] 10.0 ou une version ultérieure/un iPhone 6 ou plus récent.
- Pour des performances optimales, l'application SmartThings est soumise à modifications sans préavis ou à une interruption de la prise en charge en fonction de la politique du fabricant.
- Les systèmes de codage recommandés incluent WPA/TKIP et WPA2/AES. Tous les protocoles d'authentification pour connexion Wi-Fi plus récents ou non standardisés ne sont pas pris en charge.
- Les réseaux sans fil peuvent être affectés par l'environnement de communication sans fil autour.
- Si votre fournisseur de services Internet a enregistré l'adresse MAC de votre ordinateur ou de votre modem à des fins d'identification, il est possible que votre réfrigérateur intelligent Samsung ne parvienne pas à se connecter à Internet. Si tel est le cas, prenez contact avec votre fournisseur de services Internet pour bénéficier d'une assistance technique.



- Les réglages du pare-feu de votre système de réseau peuvent empêcher votre réfrigérateur intelligent Samsung d'accéder à Internet. Prenez contact avec votre fournisseur de services Internet pour bénéficier d'une assistance technique. Si ce symptôme persiste, prenez contact avec un détaillant ou un centre de service Samsung local.
- Pour configurer les réglages du point d'accès (PA) sans fil, reportez-vous au manuel d'utilisation du point d'accès (routeur).
- Les réfrigérateurs intelligents Samsung prennent en charge les protocoles IEEE 802.11 b/g/n (2,4 GHz). (Le protocole IEEE 802.11 n est recommandé.)
- Les routeurs Wi-Fi sans fil non autorisés peuvent ne pas parvenir à se connecter aux réfrigérateurs intelligents Samsung applicables.

Compte Samsung

Vous devez créer votre compte Samsung pour pouvoir utiliser l'application. Si vous n'avez pas de compte Samsung, suivez les instructions de l'application affichées à l'écran pour créer un compte Samsung gratuit.

Pour commencer

Allumez l'appareil que vous souhaitez connecter, ouvrez l'application SmartThings sur votre téléphone, puis suivez les instructions ci-dessous.

Si une fenêtre contextuelle apparaît en indiquant qu'un nouvel appareil a été détecté, appuyez doucement sur **ADD NOW (AJOUTER MAINTENANT)**.

En l'absence de fenêtre contextuelle, appuyez doucement sur le bouton **+**, puis sélectionnez l'appareil que vous souhaitez connecter dans la liste des appareils disponibles.

Si votre appareil ne figure pas dans la liste des appareils disponibles, appuyez doucement sur **Supported Devices (Appareils pris en charge)**, sélectionnez le type d'appareil (Réfrigérateur), puis sélectionnez le modèle d'appareil spécifique.

Suivez les instructions affichées sur l'application pour configurer votre appareil. Une fois la configuration terminée, votre réfrigérateur apparaît sous forme de « carte » sur votre écran **Devices (Appareils)**.

Application Réfrigérateur

Commande intégrée

Vous pouvez surveiller et contrôler votre réfrigérateur chez vous, de même qu'en déplacement.

- Appuyez doucement sur l'icône du réfrigérateur sur le tableau de bord SmartThings ou appuyez doucement sur l'icône Appareils en bas du tableau de bord, puis appuyez doucement sur la « carte » du réfrigérateur pour ouvrir la page Réfrigérateur.
- Vérifiez l'état de fonctionnement ou les notifications relatives à votre réfrigérateur et modifiez des options ou des réglages si nécessaire.

REMARQUE

Certaines options ou certains réglages du réfrigérateur peuvent ne pas être disponibles pour la commande à distance.



Opérations

Catégorie	Élément	Description
Surveillance	Température du réfrigérateur)	Affiche le réglage actuel de la température du réfrigérateur.
	Température du congélateur)	Affiche le réglage actuel de la température du congélateur.
	Réglages de la Zone fraîche	Affiche les réglages de la Zone fraîche.
	Auto-vérification	Détecte les dysfonctionnements du réfrigérateur.
	Surveillance de l'énergie	Vérifie la consommation cumulée du réfrigérateur des 180 derniers jours.
Fonctions	Fabrication de glaçons	Vous pouvez activer ou désactiver la fonction de fabrication de glaçons et vérifier les réglages actuels de la fonction.
		Vous pouvez également vérifier l'état et l'avancée de la fabrication de glaçons.
	Refroidissement rapide	Vous pouvez activer ou désactiver la fonction Refroidissement rapide et vérifier les paramètres actuels.
	Congélation rapide	Vous pouvez activer ou désactiver la fonction Congélation rapide et vérifier les paramètres actuels.
Alarmes	Température anormalement élevée	Cette alarme se déclenche lorsque le réfrigérateur, le congélateur ou la Zone fraîche présente une température anormalement élevée.
	Ouverture de la porte	Cette alarme se déclenche si la porte du réfrigérateur ou du congélateur ou le tiroir de la Zone fraîche est ouvert(e) pendant une durée spécifique.
	Remplacer le filtre du désodorisant) (modèles applicables uniquement)	Cette alarme vous rappelle que le filtre du désodorisant doit être remplacé.
	Remplacement du filtre à eau	Cette alarme vous rappelle que le filtre à eau doit être remplacé.
SListe de courses		Vous pouvez créer et éditer une liste de courses selon vos besoins.



Fonction SMART GRID (Réponse à la demande)

Lorsque le réfrigérateur fonctionne en mode SMART GRID (Réponse à la demande), la fonction Réfrigérateur à gestion de l'énergie permet de contrôler la consommation d'énergie ou de repousser le départ de certaines fonctions pour des raisons économiques (heures pleines).

REMARQUE

- Vous pouvez désactiver la fonction SMART GRID (Réponse à la demande) à tout moment à l'aide de la fonction Activation/Désactivation Override.
- Pour utiliser la fonction SMART GRID (Réponse à la demande), vous devez avoir un contrat séparé avec votre fournisseur d'électricité.

De plus, pour utiliser la fonction Smart Grid (Réponse à la demande), vous devez souscrire au service auprès de votre fournisseur d'électricité. Celui-ci doit disposer d'un système de gestion de l'énergie (EMS, Energy Management System) prenant en charge les profils SEP (Smart Energy profile).

Utilisation de la fonction SMART GRID (Réponse à la demande)

Cette fonctionnalité surveille les informations de prix et de demande d'énergie de votre fournisseur et envoie des notifications au réfrigérateur pour effectuer les tâches fortement consommatrices en énergie pendant les périodes creuses où les coûts et la demande d'électricité sont plus faibles.

Si le réfrigérateur reçoit un signal de commande de la part du fournisseur d'électricité, le réfrigérateur affiche les niveaux **DAL** (niveau 3) ~ **TALR** (niveau 4) sur l'écran du réfrigérateur et contrôle la consommation d'énergie selon le niveau.

[Condition d'exception] Les signaux de contrôle de niveau **DAL** et **TALR** reçus de la part d'un fournisseur d'électricité fonctionnent tant que les performances de l'appareil sont maintenues.

Si le réfrigérateur reçoit le signal SMART GRID (Réponse à la demande) (**DAL** ou **TALR**), il fonctionne en mode Delay Appliance Load (Charge différée de l'appareil) (Écran : l'icône « **DAL** » s'allume) ou en mode Temporary Appliance Load Reduction (Réduction temporaire de la charge de l'appareil) (Écran : l'icône « **TALR** » s'allume).

- Charge différée de l'appareil (Niveau 3) : Le réfrigérateur répond à un signal **DAL** en fournissant une réduction modérée de la charge pendant la durée réglée. Cette fonction commande les fonctions qui consomment beaucoup d'énergie telles qu'ajuster le système de refroidissement, exécuter le cycle de dégivrage et produire de la glace.
 - Lorsque le réfrigérateur fonctionne en mode **DAL** (niveau 3), l'icône « **DAL** » s'allume sur l'écran du réfrigérateur.
 - Le mode **DAL** est désactivé automatiquement à la fin de la durée stipulée par le signal **DAL** (4,5 heures maximum), ou lorsque la touche Override est actionnée.



Opérations

- Réduction temporaire de la charge de l'appareil (niveau 4) : Le réfrigérateur répond à un signal **TALR** en fournissant une réduction importante de la charge pendant une courte période. Cette fonction réduit la consommation d'énergie en arrêtant le compresseur et en contrôlant les fonctions qui consomment beaucoup d'énergie telles qu'exécuter le cycle de dégivrage et produire de la glace.
 - Lorsque le réfrigérateur fonctionne en mode **TALR** (niveau 4), l'icône « **TALR** » s'allume sur l'écran du réfrigérateur.
 - Le mode **TALR** (niveau 4) est désactivé automatiquement à la fin de la durée de réception (15 minutes maximum), ou lorsque la touche **Override** est actionnée. Le mode est immédiatement désactivé et le réfrigérateur revient à l'état normal lorsque la porte est ouverte ou fermée, ou lorsque le distributeur est utilisé.

Vérifier l'adresse MAC

1. Dans ce mode, l'adresse MAC apparaît sur le panneau de température (sur les sections congélateur et réfrigérateur du panneau) pendant 1 minute, en suivant un certain ordre. Appuyez sur les boutons **Freezer (Congélateur)** et **Fridge (Réfrigérateur)** pendant 6 secondes. Le panneau de température clignote. Ensuite, appuyez à nouveau sur le bouton **Freezer (Congélateur)** pour afficher l'adresse MAC. Le réfrigérateur émet un signal sonore.
2. Par exemple, si l'adresse MAC est « 11-22-33-44-55-66 », le panneau de température affiche l'adresse pendant 1 minute dans cet ordre : « -- / -- » → « 11 / 22 » → « 33 / 44 » → « 55 / 66 » → « -- / -- ».
Après 1 minute, l'adresse MAC disparaît et le panneau de température revient à l'état normal.

REMARQUE

Le panneau de température affiche « -- / -- » pour une adresse MAC inconnue ou si la connexion Wi-Fi n'est pas établie ou est perdue.

Mode Override

Lorsque vous souhaitez que le réfrigérateur ignore le signal SMART GRID (Réponse à la demande) de votre fournisseur d'électricité, vous pouvez activer le mode **OVERRIDE**.

Lorsque vous activez le mode **OVERRIDE**, le réfrigérateur ignore le signal SMART GRID (Réponse à la demande) et ne sera pas commandé par votre fournisseur d'électricité.

Activation et désactivation du mode Override

1. Maintenez le bouton **Override** enfoncé pendant 3 secondes.
2. Un signal sonore retentit et « Or » et « on » s'affichent sur les écrans de température du congélateur et du réfrigérateur pendant 5 secondes.
3. Si le réfrigérateur reçoit un signal SMART GRID (Réponse à la demande) de votre fournisseur d'électricité, « Or » s'affiche sur l'écran de température du congélateur.
4. Pour désactiver le mode **OVERRIDE**, maintenez le bouton **Override** enfoncé pendant 3 secondes.
5. Un signal sonore retentit et « Or » et « oF » s'affichent sur les écrans de température du réfrigérateur et du congélateur pendant 5 secondes.

REMARQUE

- Sinon, vous pouvez activer ou désactiver le mode OVERRIDE à l'aide de l'application SmartThings et de la fonction Gestion de l'énergie. Consultez la page suivante.

Utilisation de la fonction Gestion de l'énergie

La fonction Gestion de l'énergie vous permet de contrôler et surveiller votre réfrigérateur à gestion de l'énergie à l'aide de l'application SmartThings, à des fins de commodité.

REMARQUE

- Pour utiliser les fonctions Gestion de l'énergie du réfrigérateur, vous devez d'abord installer l'application correspondante.
1. État fonctionnel, réglages utilisateur et messages
 - Vous pouvez visualiser les réglages de température du congélateur et du réfrigérateur.
 - Vous pouvez recevoir une alerte lorsque la porte du congélateur ou du réfrigérateur est ouverte depuis 2 minutes.
 - Vous pouvez vérifier les états DR (Réinitialisation du désodorisant) et Override.
 - Vous pouvez vérifier l'état du fonctionnement de la machine à glaçons dans le congélateur.
 2. Gestion à distance
 - Réglage de la fonction Congélation rapide : Vous pouvez activer à distance la fonction Congélation rapide.
 - Réglage de la fonction Refroidissement rapide : Vous pouvez activer à distance la fonction Refroidissement rapide.
 - Réglage de la fonction Activation/Désactivation glace : Vous pouvez régler à distance la fonction Activation/Désactivation glace. Vous pouvez uniquement contrôler à distance la machine à glaçons dans le réfrigérateur.
 3. Rapport de consommation d'énergie
 - Il indique la consommation d'énergie cumulée. Les données de consommation d'énergie sont mises à jour toutes les 10 minutes.

REMARQUE

Le rapport de consommation d'énergie peut différer par rapport aux spécifications de consommation d'énergie de l'appareil, en fonction de l'environnement d'utilisation et des aliments stockés.

4. Fonction de dégivrage différé.
 - La fonction de dégivrage différé permet d'économiser de l'énergie en retardant l'opération de dégivrage à une heure spécifiée par l'utilisateur. Vous pouvez configurer l'heure et cette fonction permet d'économiser de l'énergie pendant la période spécifiée dans un cycle de 24 heures. Si l'heure n'est pas réglée, la fonction opère avec les réglages d'heure par défaut. Les réglages d'heure par défaut sont les suivants :
 - De 6 h à 10 h : du 1er novembre au 30 avril
 - De 15 h à 19 h : du 1er mai au 31 octobre

Opérations

Changement du réglage de l'heure de la fonction de dégivrage différé

Vous pouvez changer le réglage de l'heure pour la fonction de dégivrage différé dans l'application.

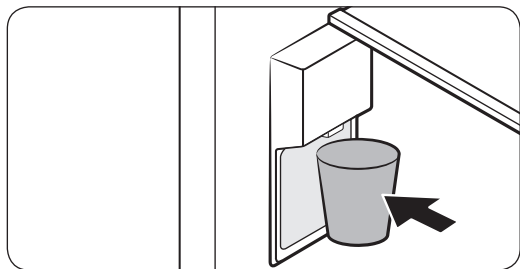
Disposition pour le libre accès aux exigences pour un produit connecté

1. Normes ouvertes du SGIP (Smart Energy Profile 2.0 - <http://www.csep.org/>)
 - Rapport de consommation d'énergie
 - Demand Response (Réponse à la demande)
2. API Samsung ouverte
 - État fonctionnel, réglages utilisateur et messages
 - État de la machine à glaçons : GET /icemaker/status/vs/0
 - Signal d'alarme de porte ouverte : GET /doors/vs/0
 - État DR : GET /drlc/vs/0
 - Fonction de dégivrage différé.
 - Réglage de l'horaire de dégivrage différé : POST /defrost/reservation/vs/0?op=add
 - Obtention de l'horaire de dégivrage différé : GET /defrost/reservation/vs/0
 - Suppression de l'horaire de dégivrage différé : POST /defrost/reservation/vs/0?op=remove
 - Activation/Désactivation du dégivrage différé : POST /defrost/delay/vs/0

Fonctions spéciales

Distributeur d'eau

Vous pouvez vous servir en eau réfrigérée en toute facilité grâce au distributeur.



Pour faire couler de l'eau réfrigérée, placez un verre sur le levier du distributeur, puis pressez-le. De l'eau réfrigérée sortira du distributeur.

ATTENTION

- Pour une première utilisation ou après avoir remplacé le filtre à eau, faites couler 3 gallons d'eau (pendant environ 6 minutes) pour retirer les impuretés de la conduite d'eau.
- Si vous quittez votre domicile ou partez en voyage pendant une période prolongée, coupez l'arrivée d'eau du réfrigérateur et fermez le robinet. Vous éviterez ainsi les risques de fuite.

REMARQUE

- Pour éviter les éclaboussures, attendez une seconde avant de retirer le verre une fois la distribution terminée. Le levier du distributeur retourne ensuite sur sa position initiale.
- Le distributeur arrêtera de verser de l'eau si vous maintenez enfoncé le levier du distributeur pendant 1 minute. Pour verser davantage d'eau, relâchez puis appuyez sur le levier une nouvelle fois.
- Veillez à ce que le verre soit aligné avec le distributeur afin d'éviter que l'eau ne vous éclabousse.

Opérations

Machine à glaçons

Le réfrigérateur dispose d'une machine à glaçons intégrée qui distribue automatiquement des glaçons.

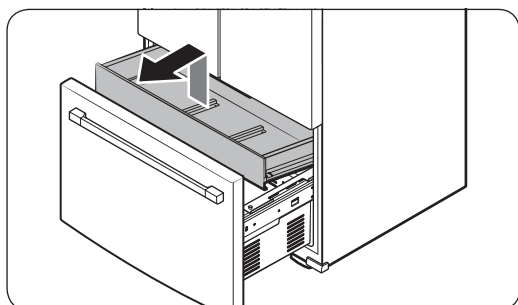
Fabrication de glaçons

Après avoir installé votre réfrigérateur et l'avoir branché, suivez ces instructions pour garantir une fabrication appropriée de glaçons et garder de la glace à disposition dans le bac à glaçons :

Première utilisation

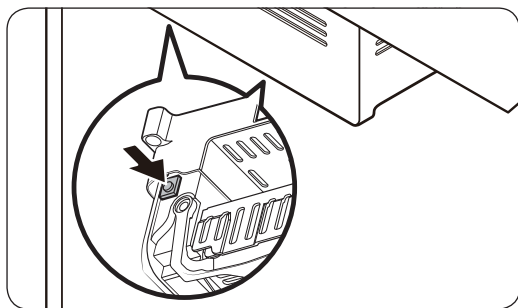
- Patientez 1 à 2 jours avant de vous servir de la machine à glaçons.
- Jetez les glaçons remplissant le bac les 2 premières fois afin de retirer les impuretés du système d'alimentation en eau.

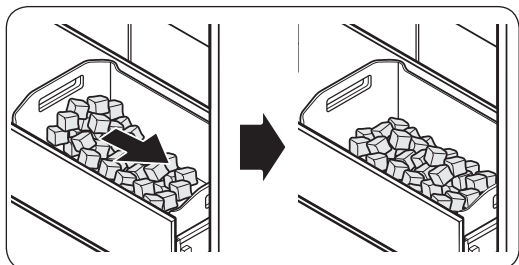
Diagnostic



Si les glaçons ne sortent pas, vérifiez d'abord l'état de la machine à glaçons en utilisant le bouton de test bleu siliconé sur le côté de la machine à glaçons.

1. Retirez le tiroir indiqué ci-contre pour accéder facilement au bouton de test.
2. Appuyez sur le bouton **Test** sur le côté de la machine à glaçons. Vous entendrez un signal sonore (ding-dong) lorsque vous appuierez sur le bouton.
3. Vous entendrez un autre signal sonore si la machine à glaçons fonctionne correctement.





REMARQUE

- Il est normal de constater une accumulation de glaçons d'un côté du bac. Étalez les glaçons de façon homogène dans le bac pour en stocker davantage.

ATTENTION

- Si vous laissez débranchée la conduite d'eau, le robinet d'arrivée d'eau peut produire un bourdonnement au fil du temps. Si tel est le cas, assurez-vous de désactiver la fonction de fabrication de glaçons.
- Si la machine à glaçons émet un signal sonore de façon répétitive, contactez l'installateur de la conduite d'eau ou un centre de service Dacor local.
- N'appuyez pas plusieurs fois sur le bouton **Test** une fois que le bac à glaçons est rempli de glace ou d'eau. De l'eau pourrait déborder ou la glace pourrait se coincer.
- Ne placez pas d'aliments dans le bac à glaçons. Les aliments surgelés peuvent endommager la machine à glaçons, en particulier lorsque vous ouvrez ou fermez la porte.
- Lorsque l'alimentation du réfrigérateur est rétablie après une panne de courant, le bac à glaçons peut contenir un mélange de glaçons fondus ou coincés, et empêcher la machine à glaçons de fonctionner correctement. Pour éviter cela, assurez-vous de vider le bac à glaçons avant d'utiliser le réfrigérateur.
- Ne mettez pas les doigts ni d'autres objets dans la machine à glaçons. Cela pourrait provoquer des blessures corporelles ou des dommages matériels.
- En raison de la sublimation, les glaçons stockés dans le congélateur pendant une période prolongée deviennent plus petits puis forment de gros blocs de glace. Par conséquent, si vous ne prévoyez pas d'utiliser des glaçons sur une longue période, éteignez la machine à glaçons comme suit.
- Utilisez uniquement les nouveaux tuyaux fournis avec l'appareil. Ne réutilisez pas d'anciens tuyaux.

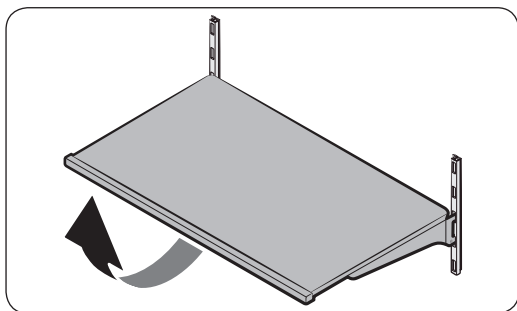
Arrêt machine à glaçons

Si vous maintenez le bouton **Ice Maker (Machine à glaçons)** enfoncé pendant plus de 3 secondes pour désactiver la machine à glaçons, assurez-vous de retirer tous les glaçons présents dans le bac à glaçons. Les glaçons restants peuvent se coller entre eux et devenir difficiles à retirer.

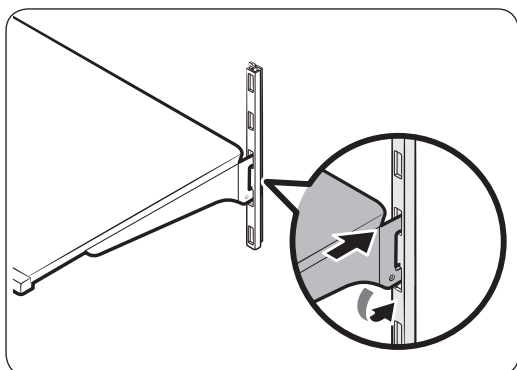
Opérations

Utilisation et entretien

Tablettes en verre trempé

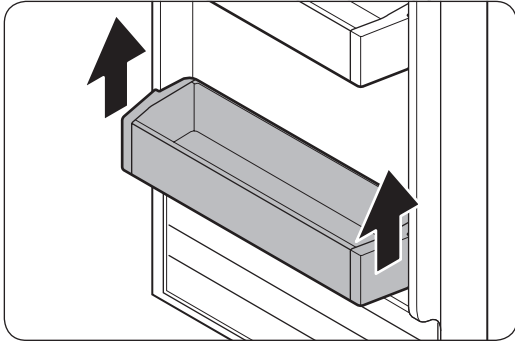


Pour retirer une clayette, ouvrez la porte correspondante entièrement. Attrapez la clayette par l'avant, puis soulevez-la doucement et faites-la glisser pour la retirer.



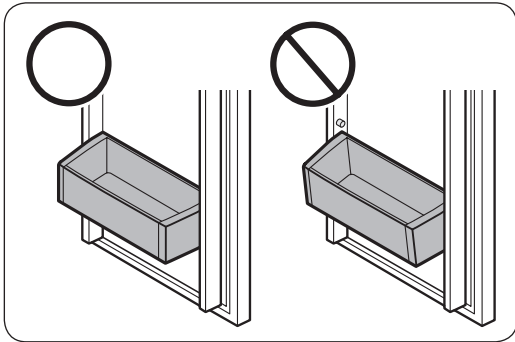
Pour la remettre en place, maintenez la clayette à un angle de sorte que l'avant soit plus que l'arrière, puis insérez le crochet supérieur dans l'encoche de la clayette supérieure. Puis, abaissez la clayette et insérez le crochet de la clayette inférieure dans l'encoche de la clayette inférieure.

Bacs de la porte



Pour le retirer, soulevez le bac de la porte puis tirez tout droit.

Le bac de la porte peut ne pas bouger correctement lors de la première utilisation. Si tel est le cas, retirez d'abord le bouchon intérieur de la porte, puis réessayez.

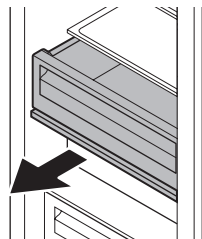


⚠ ATTENTION

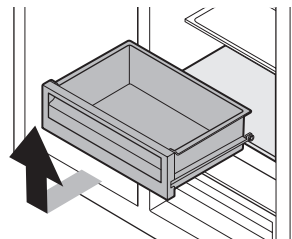
Le bac de la porte possède 4 orifices de fixation, soit 2 de chaque côté. Lors de la réinsertion du bac de la porte, assurez-vous que les 2 trous sur l'un des côtés du bac de la porte s'insèrent dans les 2 raccords guides sur le côté correspondant de la porte. En bref, les 4 trous sur le bac de la porte doivent s'insérer dans les 4 raccords sur la porte. En cas de non-respect de ces instructions, le bac de la porte peut ne pas être inséré droit.

Tiroirs

Pour le retirer, soulevez doucement l'avant du tiroir et faites-le glisser. Nous vous recommandons de retirer les bacs de la porte avant de retirer le tiroir. Cela permet d'éviter d'endommager les bacs de la porte.



Tirer les tiroirs



Retirer les tiroirs

Opérations

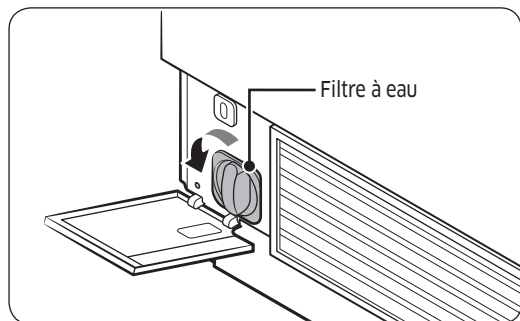
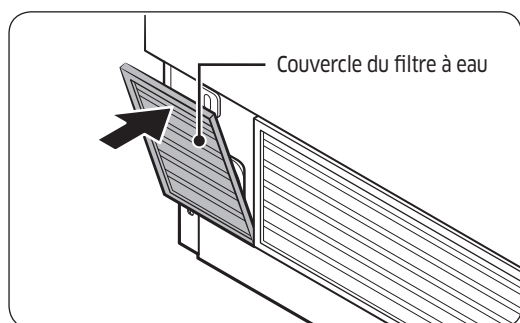
Remplacement

Filtre à eau

⚠ AVERTISSEMENT

- N'utilisez pas de filtres à eau de tiers. Utilisez uniquement des filtres fournis ou homologués Samsung.
- Les filtres non homologués peuvent fuir ou endommager le congélateur, entraînant alors un risque de choc électrique. Dacor ne peut être tenue responsable en cas de dommages découlant de l'utilisation de filtres à eau de tiers.

Le voyant du filtre (—) devient rouge pour vous rappeler qu'il est temps de remplacer le filtre à eau. Avant de remplacer le filtre, assurez-vous que la conduite d'alimentation en eau est coupée.



1. Ouvrez le couvercle du filtre à eau en bas à gauche du congélateur.
2. Tournez le filtre du distributeur dans le sens antihoraire pour le retirer.
3. Remplacez le filtre du distributeur.
4. Fermez le couvercle du filtre à eau.
5. Maintenez le bouton **Filter Reset (Réinitialisation du filtre)** enfoncé sur le panneau de fonctions pendant 3 secondes pour réinitialiser le détecteur du cycle de vie. Le voyant du filtre (—) s'éteint.
6. Une fois le remplacement du filtre terminé, ouvrez le robinet d'eau et versez de l'eau dans le distributeur pendant environ 7 minutes. Cela permet d'éliminer les impuretés et l'air provenant de la conduite d'eau.

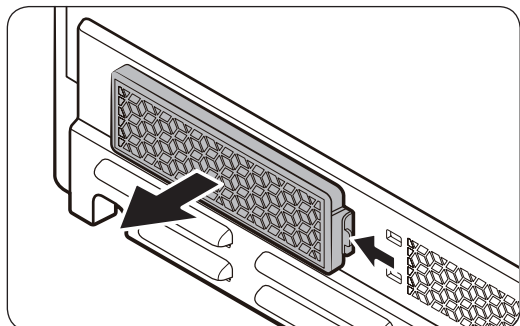
📖 REMARQUE

- De l'eau peut brièvement gicler du distributeur d'eau si le filtre a récemment été installé. Cela est dû à l'air pénétrant dans la conduite d'eau.
- Après le processus de remplacement, le distributeur d'eau peut goutter pendant une courte durée. S'il goutte, essuyez simplement l'eau présente sur le sol à l'aide d'un chiffon sec.

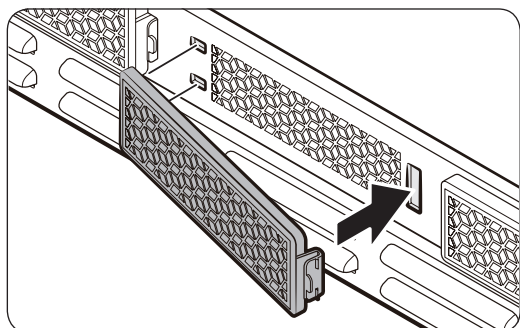
Commander un filtre neuf

Pour acheter un filtre à eau neuf, prenez contact avec un agent de service local ou avec le service client Dacor au (800) 793-0093.

Filter du désodorisant



Pour le retirer, enlevez d'abord le tiroir de la Zone fraîche pour accéder au filtre sur la paroi arrière. Pressez les languettes du filtre pour le déverrouiller et le retirer.



Pour insérer le filtre, insérez d'abord la partie arrière du filtre, puis poussez la partie avant pour verrouiller la position.

REMARQUE

Le cycle de vie du filtre du désodorisant est de 18 mois (peut varier selon les conditions d'utilisation). Vous pouvez acheter un nouveau filtre dans un centre de service Dacor local.

Éclairage par DEL

Pour remplacer les DEL du réfrigérateur, contactez un fournisseur de service local. Contact Service client Dacor au (800) 793-0093.

AVERTISSEMENT

Les DEL ne peuvent pas être remplacées par l'utilisateur. N'essayez pas de remplacer une DEL par vous-même. Cette opération peut causer une électrocution.

Nettoyage et entretien

Nettoyage

AVERTISSEMENT

- Ne nettoyez pas le réfrigérateur avec du benzène, du diluant ou du nettoyant domestique/pour voiture comme Clorox™. Ces produits risquent d'endommager la surface du réfrigérateur et de provoquer un incendie.
- Évitez de vaporiser de l'eau directement sur le réfrigérateur. Cela est susceptible de provoquer un choc électrique.
- Ne mettez pas les doigts ni d'autres objets dans la sortie du distributeur.

Retirez régulièrement toutes les substances étrangères telles que la poussière ou l'eau des fiches de la prise électrique et des points de contact à l'aide d'un chiffon sec.

1. Mettez le réfrigérateur hors tension.
2. Mouillez légèrement un chiffon doux non pelucheux ou une serviette en papier pour nettoyer l'intérieur et l'extérieur du réfrigérateur.
3. Ensuite, utilisez un chiffon sec ou une serviette en papier pour bien sécher les surfaces.
4. Mettez le réfrigérateur sous tension.

Dépannage

Avant de contacter le service d'assistance, vérifiez les points ci-dessous. Tout appel d'assistance concernant des situations normales (pas de défaillances) sera facturé aux utilisateurs.

Généralités

Température

Symptôme	Causes possibles	Solution
Le réfrigérateur/ congélateur ne fonctionne pas. La température du réfrigérateur/congélateur est élevée.	<ul style="list-style-type: none">Le cordon d'alimentation est mal branché.	<ul style="list-style-type: none">Branchez correctement le cordon d'alimentation.
	<ul style="list-style-type: none">Le contrôle de la température n'est pas réglé correctement.	<ul style="list-style-type: none">Abaissez la température.
	<ul style="list-style-type: none">Le réfrigérateur se trouve à proximité d'une source de chaleur ou est en contact direct avec les rayons du soleil.	<ul style="list-style-type: none">Éloignez votre réfrigérateur de la lumière directe du soleil et de toute source de chaleur.
	<ul style="list-style-type: none">Espace insuffisant derrière ou sur les côtés du réfrigérateur.	<ul style="list-style-type: none">Assurez-vous qu'au moins 5 cm séparent les côtés et l'arrière du réfrigérateur.
	<ul style="list-style-type: none">Le réfrigérateur est surchargé. Les orifices d'aération sont obstrués par des aliments.	<ul style="list-style-type: none">Ne surchargez pas le réfrigérateur. Veillez à ce que les orifices d'aération ne soient pas bloqués par des aliments.
Le réfrigérateur/ congélateur refroidit trop.	<ul style="list-style-type: none">Le contrôle de la température n'est pas réglé correctement.	<ul style="list-style-type: none">Augmentez la température.

Odeurs

Symptôme	Causes possibles	Solution
Le réfrigérateur dégage des odeurs.	<ul style="list-style-type: none">Aliments abîmés.	<ul style="list-style-type: none">Nettoyez le réfrigérateur et retirez tout aliment abîmé.Le cycle de vie du filtre du désodorisant est de 18 mois. Cette période peut varier selon les conditions d'utilisation.
	<ul style="list-style-type: none">Aliments dégageant de fortes odeurs.	<ul style="list-style-type: none">Assurez-vous que les aliments dégageant de fortes odeurs sont emballés de manière hermétique.

Dépannage

Givre

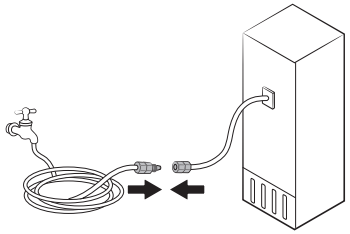
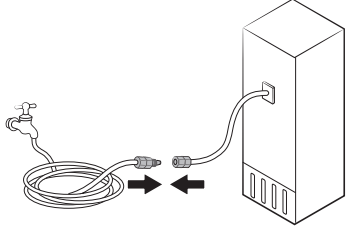
Symptôme	Causes possibles	Solution
Givre autour des aérations.	<ul style="list-style-type: none">Les orifices d'aération sont obstrués par des aliments.	<ul style="list-style-type: none">Assurez-vous qu'aucun aliment n'obstrue les orifices d'aération du réfrigérateur.
Givre sur les parois intérieures.	<ul style="list-style-type: none">La porte n'est pas fermée correctement.	<ul style="list-style-type: none">Assurez-vous qu'aucun aliment ne bloque la porte. Nettoyez le joint de la porte.

Condensation

Symptôme	Causes possibles	Solution
De la condensation se forme sur les parois intérieures.	<ul style="list-style-type: none">Si la porte reste ouverte, de l'humidité entre dans le réfrigérateur.	<ul style="list-style-type: none">Éliminez l'humidité et n'ouvrez pas la porte pendant une période prolongée.
	<ul style="list-style-type: none">Des aliments contiennent une humidité élevée.	<ul style="list-style-type: none">Assurez-vous que ces aliments sont emballés de manière hermétique.

Eau/Glace (modèles avec distributeur uniquement)

Symptôme	Causes possibles	Solution
Le débit d'eau est plus faible qu'en temps normal.	<ul style="list-style-type: none">La pression de l'eau est trop basse.	<ul style="list-style-type: none">Assurez-vous que la pression d'eau se situe entre 30 et 120 psi (207 et 827 kPa).
La machine à glaçons émet un bourdonnement.	<ul style="list-style-type: none">La fonction machine à glaçons est activée mais l'arrivée d'eau n'a pas été raccordée au réfrigérateur.	<ul style="list-style-type: none">Maintenez le bouton Ice Maker (Machine à glaçons) enfoncé pendant 3 secondes pour désactiver la machine à glaçons.
La machine à glaçons ne produit pas de glace.	<ul style="list-style-type: none">La machine à glaçons vient d'être installée.	<ul style="list-style-type: none">Vous devez attendre 12 heures jusqu'à ce que le réfrigérateur produise de la glace.
	<ul style="list-style-type: none">La machine à glaçons est éteinte.	<ul style="list-style-type: none">Allumez la machine à glaçons.

Symptôme	Causes possibles	Solution
La glace ne s'écoule pas.	<ul style="list-style-type: none"> La glace peut se coincer si le distributeur de glace n'est pas utilisé pendant une période prolongée (environ 3 semaines). 	<ul style="list-style-type: none"> Si vous savez que vous n'allez pas utiliser votre réfrigérateur pendant une période prolongée, videz le bac à glaçons et éteignez la machine à glaçons.
	<ul style="list-style-type: none"> Le bac à glaçons n'est pas inséré correctement. 	<ul style="list-style-type: none"> Assurez-vous que le bac à glaçons est inséré correctement.
	<ul style="list-style-type: none"> La conduite d'eau n'est pas raccordée correctement ou l'arrivée d'eau n'est pas activée. 	<ul style="list-style-type: none"> Vérifiez les conditions d'installation relative à l'eau. 
L'eau ne s'écoule pas.	<ul style="list-style-type: none"> La conduite d'eau n'est pas raccordée correctement ou l'arrivée d'eau n'est pas activée. 	<ul style="list-style-type: none"> Vérifiez les conditions d'installation relative à l'eau. 
	<ul style="list-style-type: none"> N'utilisez pas de filtres à eau de tiers. 	<ul style="list-style-type: none"> Utilisez uniquement des filtres fournis ou homologués Samsung. Les filtres non homologués peuvent fuir ou endommager le réfrigérateur.
	<ul style="list-style-type: none"> Le voyant du filtre à eau s'allume ou clignote. 	<ul style="list-style-type: none"> Remplacez le filtre à eau. Une fois le filtre remplacé, réinitialisez le capteur du voyant du filtre.

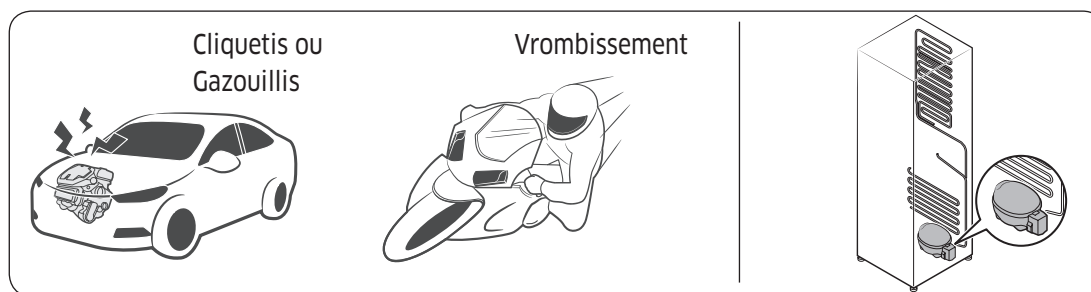
Dépannage

Votre réfrigérateur émet un bruit anormal?

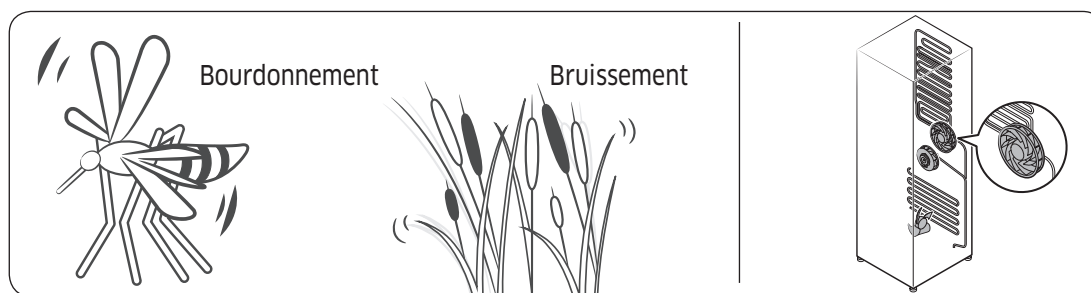
Avant de contacter le service d'assistance, vérifiez les points ci-dessous. Tout appel d'assistance concernant des sons normaux sera facturé aux utilisateurs.

Ces bruits sont normaux.

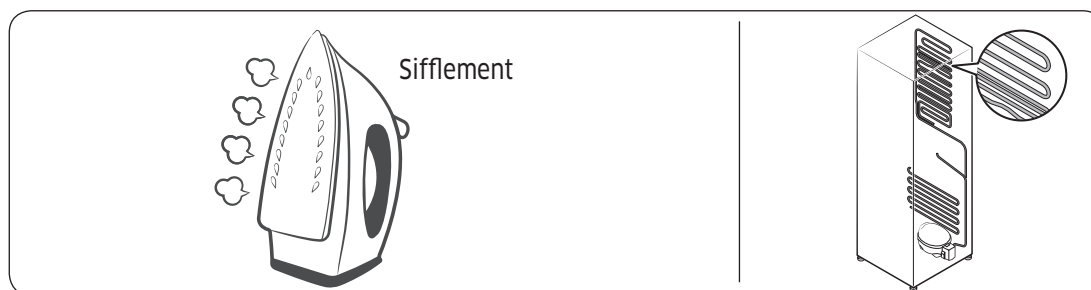
- Lorsque vous démarrez ou arrêtez une opération, le réfrigérateur peut émettre un son similaire à celui d'un moteur de voiture au démarrage. Ces bruits s'atténueront au fur et à mesure que l'opération se stabilise.



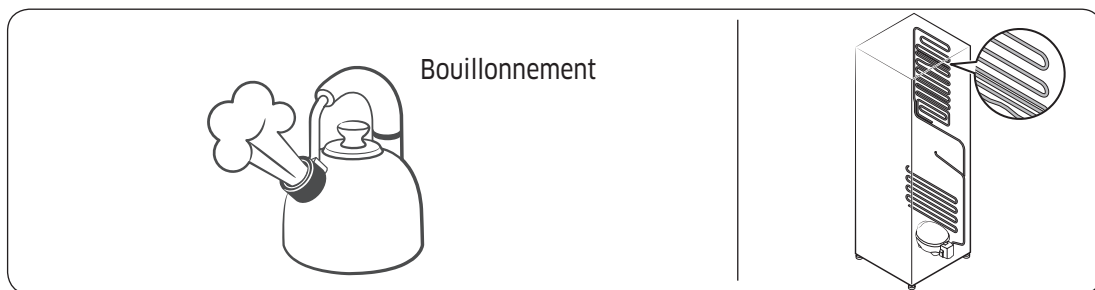
- Ces bruits peuvent être émis lorsque le ventilateur est en fonctionnement. Lorsque le réfrigérateur a atteint la température réglée, le ventilateur ne doit émettre aucun son.



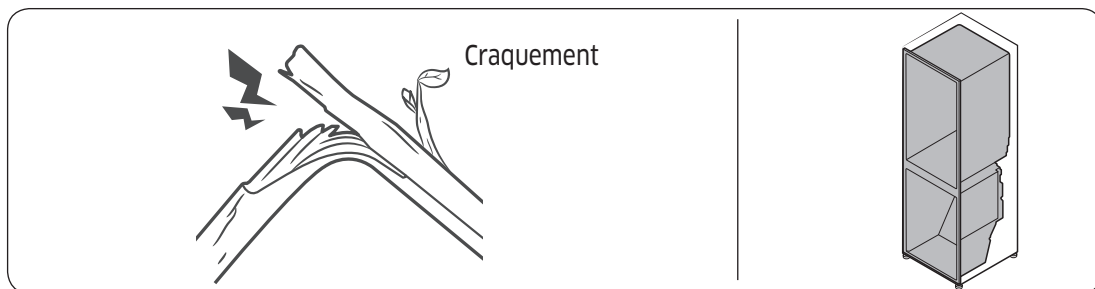
- Lors d'un cycle de dégivrage, de l'eau peut s'écouler sur le chauffage de dégivrage et provoquer un grésillement.



- Lorsque le réfrigérateur refroidit ou congèle, du gaz réfrigérant se déplace à travers les conduites et peut provoquer un bruit de bouillonnement.



- Lorsque la température du réfrigérateur augmente ou diminue, les pièces en plastique se contractent et s'étirent, ce qui peut créer des bruits de cognement. Ces bruits se manifestent lors du cycle de dégivrage ou lorsque les pièces électroniques sont en fonctionnement.



- Pour les modèles avec machine à glaçons : Lorsque le robinet d'adduction d'eau s'ouvre pour alimenter la machine à glaçons, des bourdonnements peuvent être émis.
- L'égalisation de la pression au moment de l'ouverture et de la fermeture de la porte du réfrigérateur peut produire des bruits de souffle.

Dépannage

SmartThings

Symptôme	Action
L'application « SmartThings » est introuvable sur le marché des applications.	<ul style="list-style-type: none">• L'application SmartThings n'est pas disponible pour certains modèles de tablette, iPad et smartphone.<ul style="list-style-type: none">- Prise en charge nécessitant le système d'exploitation [Android] 6.0 ou une version ultérieure (minimum 2 Go de mémoire RAM).- Prise en charge nécessitant le système d'exploitation [iOS] 10.0 ou une version ultérieure/un iPhone 6 ou plus récent.
L'application SmartThings ne fonctionne pas.	<ul style="list-style-type: none">• L'application SmartThings est disponible pour les modèles applicables uniquement.• L'ancienne application Samsung Smart Refrigerator ne peut pas se connecter à des modèles Samsung Smart Home.
L'application SmartThings est installée mais n'est pas connectée à mon réfrigérateur.	<ul style="list-style-type: none">• Vous devez vous connecter à votre compte Samsung pour pouvoir utiliser l'application.• Assurez-vous que votre routeur fonctionne normalement.• Si l'icône de connexion Wi-Fi est éteinte sur l'écran du réfrigérateur, cela indique qu'aucune connexion au réseau n'a encore été établie. Dans ce cas, utilisez l'application SmartThings pour connecter et enregistrer votre réfrigérateur au point d'accès (PA) de votre maison.
Connexion à l'application impossible.	<ul style="list-style-type: none">• Vous devez vous connecter à votre compte Samsung pour pouvoir utiliser l'application.• Si vous n'avez pas de compte Samsung, suivez les instructions de l'application affichées à l'écran pour en créer un.
Un message d'erreur apparaît lorsque j'essaie d'enregistrer mon réfrigérateur.	<ul style="list-style-type: none">• Connexion facile peut échouer en raison de la distance par rapport au point d'accès (PA) ou d'interférences électriques provenant de l'environnement. Attendez un moment puis réessayez.
L'application SmartThings est bien connectée à mon réfrigérateur mais ne fonctionne pas.	<ul style="list-style-type: none">• Quittez puis redémarrez l'application SmartThings, ou déconnectez et reconnectez le routeur.• Éteignez le réfrigérateur, puis rallumez-le après avoir attendu 1 minute.

Smart Grid (Réponse à la demande)

Symptôme	Action
De quoi ai-je besoin pour utiliser les fonctions Gestion de l'énergie et Smart Grid (Réponse à la demande)?	<ul style="list-style-type: none">• Pour utiliser les fonctions Smart Grid (Réponse à la demande) et Gestion de l'énergie de votre réfrigérateur, les périphériques et applications suivants sont nécessaires :<ul style="list-style-type: none">- Périphériques : 1) Un routeur sans fil ; 2) Un réfrigérateur SmartThings ; 3) Un smartphone. (Recommandé : Système d'exploitation Android Jelly Bean ou une version supérieure- Applications : 1) L'application « SmartThings » disponible sur Google Play Store. <p>Vous aurez également besoin de :</p> <ul style="list-style-type: none">• Connecter le réfrigérateur et le smartphone au même réseau Wi-Fi de votre habitation.• Installez et lancez l'application SmartThings sur votre smartphone.• De plus, pour utiliser la fonction Smart Grid (Réponse à la demande), vous devez souscrire au service auprès de votre fournisseur d'électricité. Celui-ci doit disposer d'un système de gestion de l'énergie (EMS, Energy Management System) prenant en charge les profils SEP (Smart Energy profile).
Pourquoi la fonction Gestion de l'énergie ne fonctionne-t-elle pas correctement?	<ul style="list-style-type: none">• Vérifiez que le routeur de votre domicile, ainsi que le réseau Internet, fonctionnent correctement.<ul style="list-style-type: none">- Connectez un smartphone au routeur (point d'accès, PA) et vérifiez que vous pouvez naviguer sur Internet depuis le téléphone.• Vérifiez que le réfrigérateur est connecté au point d'accès.<ul style="list-style-type: none">- Vérifiez l'icône Wi-Fi sur le panneau du réfrigérateur. Si le réfrigérateur est connecté, l'icône sera allumée.• Vérifiez que le réfrigérateur et le smartphone sont connectés au même routeur.

Dépannage

Symptôme	Action
Pourquoi la fonction de dégivrage différé ne fonctionne-t-elle pas correctement?	<ul style="list-style-type: none">• Vérifiez que le routeur de votre domicile, ainsi que le réseau Internet, fonctionnent correctement.• Connectez un smartphone au routeur (point d'accès, PA) et vérifiez que vous pouvez naviguer sur Internet depuis le téléphone.• Vérifiez que votre zone de résidence est correctement saisie dans l'application SmartThings.• Vérifiez que la fonction Smart Grid (Réponse à la demande) fonctionne correctement. (Vérifiez le panneau de commande. L'icône DAL ou TALR ne doit pas s'afficher sur l'écran.)

Garantie et service

Service client

Avant de demander de l'aide ou de programmer une réparation :

1. Essayez les solutions proposées dans le tableau de résolution des problèmes de la section « Dépannage ».
2. Prenez connaissance des conditions de garantie de votre produit.
3. Si aucun de ces conseils ne vous permet de résoudre le problème, contactez notre centre de service client au numéro ci-dessous.

Le centre de service client de Dacor est joignable de 06 h 00 à 17 h 00 (heure du Pacifique).

Pour des questions ou des réparations sous garantie et pour le service différencié Dacor (DDS) aux États-Unis et au Canada

Téléphone : (800) 793-0093

Pour des questions ou des réparations hors garantie aux États-Unis et au Canada

Téléphone : (800) 793-0093, poste 2813

Contactez-nous via notre site Web accessible à l'adresse suivante :

www.dacor.com

Garantie

Que couvre-t-elle?

CERTIFICAT DE GARANTIE POUR
RÉFRIGÉRATEUR DACOR

DANS LES CINQUANTE ÉTATS DES ÉTATS-UNIS, DANS LE DISTRICT DE COLUMBIA ET AU CANADA :

PLEINE GARANTIE DE DEUX ANS

La garantie ne s'applique que pour l'appareil Dacor vendu au premier utilisateur acheteur.

La garantie est également valable pour les produits achetés neufs auprès d'un distributeur homologué Dacor ou tout autre distributeur autorisé par Dacor.

À compter de la date figurant sur le reçu d'achat original ou de la date de règlement pour les nouvelles constructions, quelle que soit la période la plus longue.

- Garantie minimale de 60 jours
- Pleine garantie de 2 ans
- Garantie du système hermétique de 6 ans : Pièces/main d'œuvre
- Garantie du système hermétique de 12 ans : Pièces uniquement
- Garantie du compresseur de 15 ans : Pièces uniquement

Garantie et service

Filtre à eau : Durant les 30 jours suivant la date d'achat, si le filtre est utilisé et entretenu selon les instructions fournies ou remises avec le produit, Dacor prendra à sa charge les pièces de rechange pour corriger les défauts présents dans le matériel et l'exécution.

À l'exception des éléments précités, les pièces consommables, telles que les filtres et les ampoules, ne sont pas couvertes et sont donc sous la responsabilité de l'acheteur.

GARANTIE LIMITÉE

Trois à six ans après la date d'achat, lorsque ce réfrigérateur est utilisé et entretenu conformément aux instructions ou au manuel d'entretien fournis avec l'appareil, Dacor prendra à sa charge les pièces spécifiées d'usine et les frais de main d'œuvre pour les réparations afin de corriger les défauts de pièces ou de main d'œuvre du système de réfrigération hermétique. Les pièces concernées sont les suivantes : compresseur, évaporateur, condensateur, déshydrateur et tuyau de raccordement.

Sept à douze ans après la date d'achat, lorsque ce réfrigérateur est utilisé et entretenu conformément aux instructions ou au manuel d'entretien fournis avec l'appareil, Dacor prendra à sa charge les pièces spécifiées d'usine pour les composants suivants afin de corriger les défauts de pièces ou de main d'œuvre du système de réfrigération hermétique qui existaient lorsque cet appareil principal a été acheté : compresseur, évaporateur, condensateur, déshydrateur et tuyau de raccordement.

Treize à quinze ans après la date d'achat, lorsque ce réfrigérateur est utilisé et entretenu conformément aux instructions ou au manuel d'entretien fournis avec l'appareil, Dacor prendra à sa charge les pièces spécifiées d'usine pour le compresseur afin de corriger les défauts de pièces ou de main d'œuvre qui existaient lorsque cet appareil principal a été acheté.

LIMITATIONS DE LA COUVERTURE

L'assistance sera fournie par une entreprise de service désignée par Dacor pendant les heures d'ouverture normales. Veuillez noter que les prestataires de service sont des entités indépendantes et ne sont pas des agents de Dacor.

Les appareils d'exposition en magasin et installés en maison-témoin ayant une date de production remontant à plus de 5 ans, les produits vendus « sans garantie » ainsi que les produits installés pour une utilisation non résidentielle, incluant sans s'y limiter, les organisations religieuses, les casernes de pompiers, les chambres d'hôtes et les centres de remise en forme, disposent d'une garantie de pièces d'un an uniquement. Toute livraison, installation, tout frais de main d'œuvre et autre frais de service sera à la charge de l'acheteur.

Le propriétaire doit fournir un justificatif d'achat ou un relevé de clôture pour les nouvelles constructions sur demande. Tous les produits Dacor doivent être accessibles à des fins de service. Tout dommage superficiel (tel que des rayures sur l'acier inoxydable, des imperfections sur la porcelaine/peinture, etc.) constaté sur le produit ou les accessoires fournis doit être signalé à Dacor dans un délai de 60 jours à compter de la date d'achat originale pour être couvert par la garantie.

La garantie sera nulle et non avenue sur les produits altérés, déformés ou en cas d'étiquettes et de numéros de série manquants.

La garantie est nulle et non avenue si des produits non homologués CSA sont importés des États-Unis.

EN DEHORS DES CINQUANTE ÉTATS DES ÉTATS-UNIS, DU DISTRICT DE COLUMBIA ET DU CANADA :

GARANTIE LIMITÉE À UN AN

Si votre produit Dacor ne fonctionne pas durant la première année suivant la date originale d'achat en raison d'un défaut de matériel ou d'exécution, Dacor fournira une nouvelle pièce d'usine franco à bord pour remplacer la pièce défectueuse.

Toute livraison, installation, tout frais de main d'œuvre et autre frais de service sera à la charge de l'acheteur.

Que ne couvre-t-elle pas?

- De légères variations de couleurs peuvent être constatées entre les pièces peintes, l'éclairage de la cuisine, le placement de produit, et autres facteurs ; cette garantie ne s'applique pas aux variations de couleurs.
- Les appels d'assistance pour conseiller le client sur la bonne utilisation et le bon entretien des produits.
- Les frais de service concernant un transport à destination d'îles ou de zones isolées, incluant sans s'y limiter les ferrys, les autoroutes à péage ou autres frais de transport.
- Les dommages généraux ou accessoires, incluant sans s'y limiter : perte d'aliments ou de médicaments, temps hors travail, repas en restaurants.
- Défaillance du produit en utilisation commerciale, en entreprise, en location, ou toute application autre qu'une utilisation client résidentielle.
- Défaillance du produit provoquée par une mauvaise installation du produit.
- Remplacement des fusibles, boîtiers à fusibles ou réinitialisation des disjoncteurs.
- Les dommages sur les produits causés par accident, par un départ de feu, une inondation, une coupure de courant, une saute de puissance ou cas de force majeure.
- Responsabilité établie pour des dommages sur l'environnement immédiat incluant le mobilier, les sols, les plafonds et autres structures ou objets situés autour du produit.
- Cassure, décoloration ou dommage sur le verre, les surfaces métalliques, les composants plastiques, la peinture ou les finitions causés par un(e) mauvais(e) utilisation, entretien, abus ou négligence.

Hors garantie

Si vous rencontrez un problème de service au-delà de la période standard de garantie, veuillez nous contacter.

Dacor examine chaque problème et question de ses clients pour leur fournir la meilleure solution possible selon les circonstances.

Garantie et service

LES SOLUTIONS FOURNIES DANS LES GARANTIES EXPRESSES CI-DESSUS CONSTITUENT LES SOLUTIONS UNIQUES ET EXCLUSIVES. AINSI, AUCUNE AUTRE GARANTIE EXPRESSE N'EST FAITE, ET EN DEHORS DES CINQUANTE ÉTATS DES ÉTATS-UNIS, DU DISTRICT DE COLUMBIA ET DU CANADA, TOUTE GARANTIE IMPLICITE, INCLUANT SANS S'Y LIMITER TOUTE GARANTIE IMPLICITE DE COMMERCIALISATION ET D'ADAPTATION À UN USAGE OU À DES FINS PARTICULIERS, EST LIMITÉE À UNE DURÉE D'UN AN À COMPTER DE LA DATE ORIGINALE D'ACHAT. EN AUCUN CAS DACOR NE SERA TENUE RESPONSABLE DE FRAIS ACCESSOIRES OU DE DOMMAGES INDIRECTS. DANS LE CAS OÙ DACOR INTENTERAIT UNE ACTION EN JUSTICE, DACOR POURRA DEMANDER LE REMBOURSEMENT DE TOUS LES FRAIS ET DÉPENSES, INCLUANT LES FRAIS D'AVOCAT, AU CLIENT DACOR. AUCUNE GARANTIE, EXPRESSE OU IMPLICITE, N'EST FAITE À UN QUELCONQUE ACHETEUR POUR LA REVENTE.

Certains États n'autorisent pas les limitations de durée de garantie implicite, ou l'exclusion/la limitation des dommages négligeables. Par conséquent, il se peut que les limitations ou exclusions spécifiées ci-dessus ne s'appliquent pas dans votre cas. Cette garantie vous confère des droits légaux spécifiques ; vous pouvez également avoir d'autres droits qui varient d'un État à l'autre.

Annonce de logiciel open source

Le logiciel inclus dans cet appareil contient un logiciel open source.

L'URL suivante http://opensource.samsung.com/opensource/SMART_TP2_0/seq/0 renvoie aux informations concernant la licence de logiciel open source relatives à cet appareil.



Avis d'application de la réglementation

Norme FCC

MISE EN GARDE DE LA FCC :

Tout changement ou modification, non expressément approuvé par la partie responsable de la conformité, peut annuler l'autorisation de l'utilisateur à utiliser cet équipement.

Contient un Module émetteur FCC ID : A3LCWAP210M

Cet appareil est conforme aux exigences de la partie 15 du règlement de la FCC. Son utilisation est assujettie aux deux conditions suivantes :

- (1) Cet appareil ne doit pas causer de brouillages préjudiciables, et
- (2) Cet appareil doit absorber tout type d'interférence, y compris les interférences pouvant causer un fonctionnement non désiré.

Pour les produits offerts sur les marchés des États-Unis et du Canada, seuls les canaux 1 à 11 peuvent être utilisés.

Vous ne pouvez pas sélectionner d'autres canaux.

DÉCLARATION DE LA FCC :

Cet appareil a été testé et classé dans la catégorie des appareils numériques de classe B conformément avec la partie 15 du règlement de la FCC. Ces limites sont conçues pour fournir une protection raisonnable contre les interférences nuisibles dans une installation domestique.

Cet appareil génère, utilise et émet des fréquences radioélectriques et peut, en cas d'installation ou d'utilisation non conforme aux instructions, engendrer des interférences nuisibles au niveau des communications radio. Cependant, il se peut que des interférences se produisent dans une installation particulière. En cas d'interférences avec la réception radiophonique ou télévisuelle, qui peuvent être vérifiées en mettant l'équipement hors, puis sous tension, l'utilisateur peut tenter de résoudre le problème de l'une des façons suivantes :

- Réorienter ou repositionner l'antenne de réception
- Augmenter l'espacement entre l'équipement et le récepteur
- Brancher l'équipement à une prise se trouvant sur un circuit différent de celui auquel le récepteur est branché.
- Consulter le fournisseur ou un technicien en radio et télévision expérimenté pour obtenir de l'aide

DÉCLARATION DE LA FCC SUR L'EXPOSITION AUX IRRADIATIONS :

Cet équipement répond aux limites de la FCC sur l'exposition aux rayonnements établies pour un environnement non contrôlé.

Cet équipement doit être installé et utilisé à une distance minimale de 8 pouces (20 cm) entre le radiateur et votre corps. Cet appareil et ses antennes ne doivent pas être co-localisés ou fonctionner en conjonction avec toute autre antenne ou émetteur, sauf s'il/elle est conforme aux procédures relatives aux produits à émetteurs multiples de la FCC.

Norme IC

Contient un IC de module émetteur : 649E-CWAP210M

Le terme « IC » placé avant le numéro de certification pour les radiofréquences signifie seulement que les spécifications techniques d'Industry Canada ont été respectées. Son utilisation est assujettie aux deux conditions suivantes : (1) cet appareil ne doit pas provoquer d'interférence et (2) il doit absorber tout type d'interférence, y compris les interférences pouvant causer un fonctionnement non désiré.

Cet appareil numérique de classe B est conforme à l'ICES-003 (Canada).

Cet appareil numérique de la classe B est conforme à la norme NMB-003 du Canada.

Pour les produits offerts sur les marchés des États-Unis et du Canada, seuls les canaux 1 à 11 peuvent être utilisés. Vous ne pouvez pas sélectionner d'autres canaux.

DÉCLARATION D'IC QUANT À L'EXPOSITION AUX RAYONNEMENTS :

Cet équipement répond aux limites de l'IC RSS-102 sur l'exposition aux rayonnements établies pour un environnement non contrôlé. Cet équipement doit être installé et utilisé à une distance minimale de 8 pouces (20 cm) entre le radiateur et votre corps. Cet appareil et ses antennes ne doivent pas être co-localisés ou fonctionner en conjonction avec toute autre antenne ou émetteur, sauf s'il/elle est conforme aux procédures relatives aux produits à émetteurs multiples de la FCC.

CONSERVEZ CES INSTRUCTIONS

Mémo

Mémo



DA68-03574H-00

dacor[®]

Dacor • 14425 Clark Avenue, City of Industry, CA 91745 • Phone: (800) 793-0093 • Fax: (626) 403-3130 • www.dacor.com

