



42-INCH FOUR-DOOR FRESHZONE PLUS FRENCH DOOR PANEL-READY

DRF427500AP



PRODUCT FEATURES

- True flush Four-Door with cabinet height freezer doors for seamless cabinet integration
- Triple Cooling - Three Cooling Systems, powered by dual digital inverter compressors keep food fresher longer
- FreshZone™ Plus Compartment - Convert from freezer to refrigerator for flexibility that fits your needs
- SteelCool™ Interior illuminated by 3DLighting™
- Dual IceMaker with Standard and Cocktail Ice™
- FreshZone™ Drawer with three customizable temperatures for Meat/Fish, chilled drinks and dairy
- Works with 41 1/2" classic and 42" full cutout widths

DIMENSIONS & WEIGHT

APPLIANCE DIMENSIONS (W X H X D) (IN.) (3 EVAPORATORS, 2 COMPRESSORS)

41 3/4" X 83 3/8" X 24 11/16"

REQUIRED CUTOUT SIZE (HXWXD) (IN.)

FLUSH INSTALLATION:
84" X 42" X MIN. 25" (3/4" PANEL)
CLASSIC INSTALLATION: 84" X 41 1/2" X 24" (PANEL THICKNESS PROTRUDING)

NET WEIGHT (LBS)

655

GENERAL PROPERTIES

PANEL READY	YES
PUSH-TO-OPEN™ DOOR ASSIST	NO
INTERNAL WATER DISPENSER	YES
ICEMAKER	DUAL ICEMAKER FOR STANDARD AND COCKTAIL ICE™
IQ REMOTEVIEW™ CAMERA	YES
DEODORIZING FILTER	YES
LIGHTING	3DLIGHTING™
INTERIOR MATERIAL	STEELCOOL™ INTERIOR
FULL WIDTH SHELVES - REFRIGERATOR	1 EA
ADJUSTABLE SHELVES - REFRIGERATOR	4 EA
SHELF MATERIAL - REFRIGERATOR	TEMPERED GLASS SHELVES/METAL TRIM
FULL EXTENSION DRAWERS AT 90° DOOR OPENING ANGLE	YES
FRESHZONE™ DRAWER	YES - CHEESE (37°F) / COLD DRINKS (33°F) / MEAT (29°F)
CRISPER DRAWERS	2 EA
FRESHZONE™ PLUS COMPARTMENT	YES - CONVERTS FROM FREEZER -8°F TO TO REFRIGERATOR 33°F
DOOR BINS -REFRIGERATOR	6 EA
FREEZER DRAWERS	4 EA
DOOR OPEN ALARM	YES
IQ REMOTE DIAGNOSTICS™ (WI-FI)	YES
SPECIAL MODES	SABBATH MODE

CAPACITY

TOTAL UNIT GROSS CAPACITY (CU.FT.) - AHAM	23.5 CU. FT.
REFRIGERATOR GROSS CAPACITY (CU.FT.)	16.8 CU. FT.
FREEZER GROSS CAPACITY (CU.FT.)	6.7 CU.FT.

PERFORMANCE

TRIPLE COOLING (3 EVAPORATORS, 2 COMPRESSORS)	YES
POWER COOL - REFRIGERATOR	YES
POWER FREEZE - FREEZER	YES
DEFROST PROCESS - FREEZER	FROST-FREE

EFFICIENCY

ENERGY STAR® QUALIFIED	YES
ANNUAL ENERGY CONSUMPTION	629 KWH/YEAR

TECHNICAL DETAILS

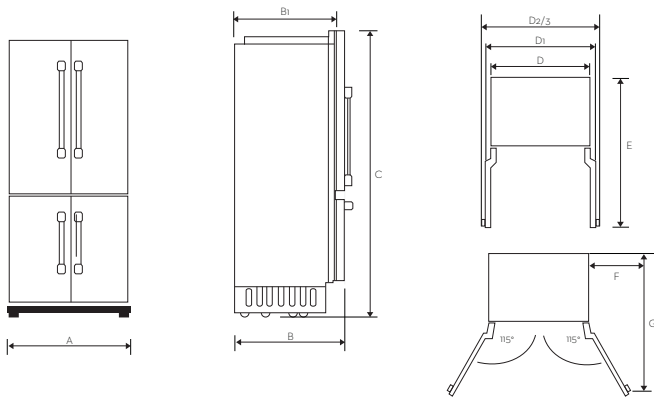
CURRENT (A)	6
VOLTS (V)	115
FREQUENCY (HZ)	60
POWER CORD LENGTH (IN.)	78 3/4"
PLUG TYPE	120 V, 3 PRONG

TEMPERATURE RANGES

REFRIGERATOR	34°F (1°C) TO 44°F (7°C)
REFRIGERATOR - POWER COOL	34°F (1°C)
FRESHZONE™ DRAWER	37°F (3°C) / 33°F (-1°C)
FRESHZONE™ PLUS COMPARTMENT	-8°F (-23°C) TO 41°F (5°C)
FREEZER	-8°F (-23°C) TO -5°F (-15°C)
FREEZER - POWER FREEZE	-8°F (-23°C)

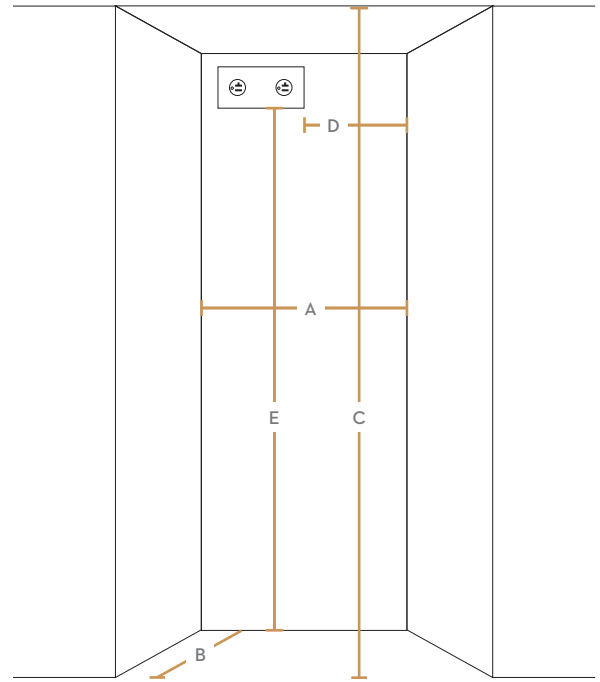
APPLIANCE DIMENSIONS

A (WIDTH)	41 3/4" (1060MM)
B (WITH PANEL)	24 11/16" (627MM)
B ₁ (WITHOUT PANEL)	23 11/16" (603MM)
C (HEIGHT)	83 3/8" (2118MM)
D	41 1/4" (1048MM)
D ₁	43 11/16" (1110MM)
D ₂ (MODERNIST HANDLE)	47 7/16" (1205MM)
D ₃ (PRO HANDLE)	48 11/16" (1237MM)
E	48 1/2" (1232MM)
F	22 7/16" (570MM)
G	47 5/8" (1210MM)



INSTALLATION CUTOUT DIMENSIONS

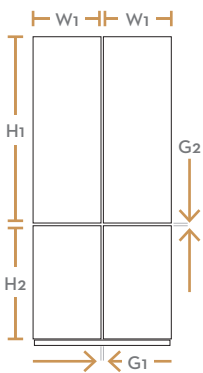
	CLASSIC CUTOUT (41 1/2") WITH OVERLAY STYLE	FULL CUTOUT (42") FOR FLUSH INSTALLATION
A (WIDTH)	41.5" (1054 MM)	42" (1067 MM)
B (DEPTH)	24" (610 MM)	MIN. 25" (635 MM)
C (HEIGHT)	84" (2134 MM)	84" (2134 MM)
D	22" (559 MM)	22" (559 MM)
E	80" (2032 MM)	80" (2032 MM)



* min 25" depth (depending on panel thickness)
 — Represents cabinet cutout

CUSTOM PANEL SPECIFICATIONS

W1	20 25/32" (528 MM)
H1	49 3/16" (1249 MM)
H2	30 9/16" (776 MM)
G1	5/32" (4 MM)
G2	5/32" (4 MM)
STANDARD PANEL THICKNESS	3/4" (19 MM)



CUSTOM PANEL MAXIMUM WEIGHT FRIDGE : 55 LB (25 KG), FREEZER : 22 LB (10 KG)

Do not exceed the max load that the custom panel can endure. Before crafting the panel, check the strength of the panel's material and the load of attachments to the panel.

ACCESSORIES

42" FOUR-DOOR PRO SILVER STAINLESS STEEL KIT	RAT42AHAASR
42" FOUR-DOOR MODERNIST SILVER STAINLESS STEEL KIT	RAT42AMAASR
42" FOUR-DOOR MODERNIST GRAPHITE STAINLESS STEEL KIT	RAT42AMAAMS
WATER FILTER	RAC00WFAAAA
DEODORIZING FILTER	RAC00DFAAAA

WARRANTY

LIMITED, ENTIRE APPLIANCE, PARTS AND LABOR ON ANY PART OF THE REFRIGERATOR STEEL KIT	2 YEARS
LIMITED WARRANTY FOR SEALED REFRIGERATION SYSTEM; PARTS AND LABOR	3RD TO 6TH YEAR
LIMITED WARRANTY FOR SEALED REFRIGERATION SYSTEM; PARTS ONLY	7TH TO 12TH YEAR
LIMITED WARRANTY FOR COMPRESSOR; PARTS ONLY	13TH TO 15TH YEAR