



36-INCH GAS COOKTOP

DTG36M955F | CONTEMPORARY STYLE



AVAILABLE MODELS

DTG36M955FS	36" Drop-In Gas Cooktop - Stainless Steel Natural Gas / Liquid Propane
DTG36M955FM	36" Drop-In Gas Cooktop - Graphite Stainless Steel Natural Gas / Liquid Propane

FEATURES & BENEFITS

- 5 Dual-Stack Sealed Brass Burners.
- High performance burners at 18.5K BTU.
- Diamond-like carbon finish on spill tray prevents scratches and is easy to clean.
- Automatic burner reignition.
- Illumina™ knobs. Dishwasher safe.
- Continuous grates.
- Auto connect to hood.
- Low profile flush installation.
- SmartThings app enables monitoring of the cooktop from outside the kitchen.

BURNER PERFORMANCE

TOTAL NUMBER OF COOKTOP BURNERS	5 (BRASS)
LEFT FRONT BURNER (BTU)	13,000 (STACK BURNER)
LEFT REAR BURNER (BTU)	13,000 (STACK BURNER)
RIGHT FRONT BURNER (BTU)	9,500 (STACK BURNER)
RIGHT REAR BURNER (BTU)	9,500 (STACK BURNER)
CENTER BURNER POWER (BTU)	18,500 (DUAL BURNER)
SEALED BURNERS	YES

CONTROL FEATURES

DISHWASHER SAFE KNOBS	YES
CONTROL LOCATION	RIGHT
LED KNOB BACKLIGHT + INDICATOR	YES
WI FI HOOD CONNECTIVITY	YES
AUTOMATIC REIGNITION	YES

INSTALLATION

GAS TYPE	NATURAL GAS
LP CONVERSION KIT	YES
INSTALLATION TYPE	LOW-PROFILE (FLUSH)

TECHNICAL DETAILS

CIRCUIT BREAKER (A)	15
VOLTS (V)	120
FREQUENCY (HZ)	60
ENERGY SOURCE	GAS AND ELECTRIC

DIMENSIONS & WEIGHT

APPLIANCE DIMENSIONS (H X W X D) (IN.)	6" X 36" X 21"
CHASSIS REQUIRED CUTOOUT SIZE (W X D) (IN.)	34 11/16" X 19 3/4"

ACCESSORIES (INCLUDED)

BRASS BURNER CAPS	YES
BLACK BURNER CAPS	YES

ACCESSORIES (OPTIONAL)

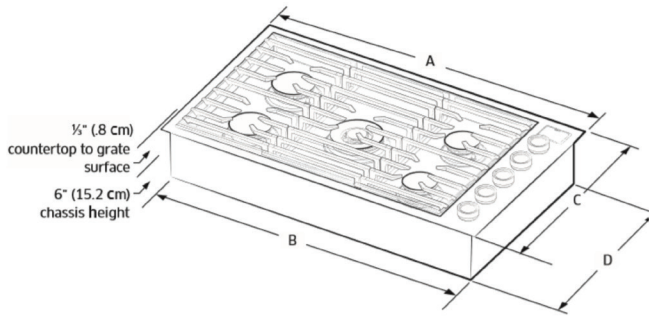
WOK RING	AMWR
----------	------

WARRANTY

LIMITED, PARTS AND LABOR	2 YEARS
--------------------------	---------

dacor 36-INCH GAS COOKTOP

APPLIANCE DIMENSIONS



INSTALLATION CUTOUT DIMENSIONS

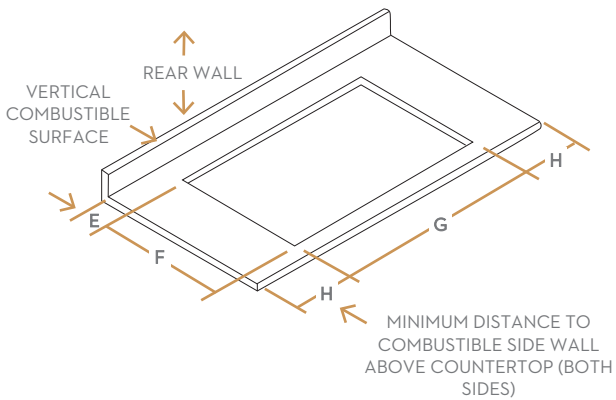
36"

E (MIN) 2 7/8" (7.2CM)

F (MIN) 19 3/4" (50.1CM)

G (MIN) 34 11/16" (87.9CM)

H (MIN) 12" (30.4CM)



APPLIANCE DIMENSIONS

36"

A (WIDTH) 36" (914.4MM)

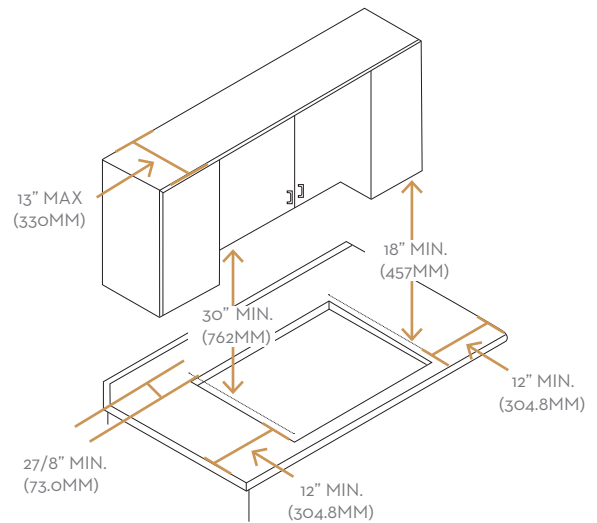
B (CHASSIS WIDTH) 34 1/2" (875.4MM)

C (DEPTH) 21" (533MM)

D (CHASSIS DEPTH) 19 1/2" (495MM)

INSTALLATION CUTOUT DIMENSIONS

36"



INSTALLATION CUTOUT DIMENSIONS

36" DOWNDRAFT | DTG36M954F

E (MIN) 3/8" (0.9CM)

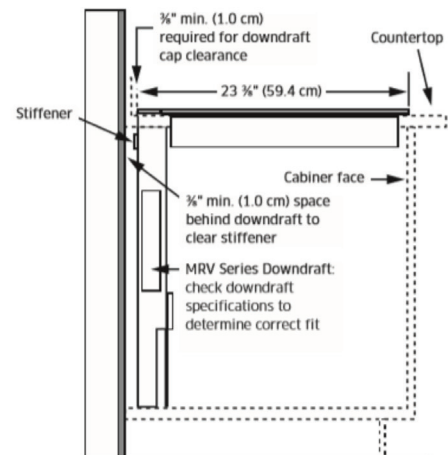
F (MIN) 22 1/2" (57.1CM)

G (MIN) 34 11/16" (87.9CM)

H (MIN) 7 1/2" (19.0CM)

INSTALLATION CUTOUT DIMENSIONS

36" DOWNDRAFT | DTG36M954F



Cooktop with Downdraft: MRV Series

NOTE: All horizontal clearances must be maintained for a minimum of 18" (457mm) above the cooking surface.