



36-INCH GAS COOKTOP

DTG36P875N | TRANSITIONAL



AVAILABLE MODELS

- DTG36P875NS Transitional 36" Gas Cooktop - Stainless Steel Natural Gas/Liquid Propane
- DTG36P875NM Transitional 36" Gas Cooktop - Graphite Stainless Steel Natural Gas/Liquid Propane

FEATURES & BENEFITS

- High performance burners at 19K BTU.
- Automatic burner reignition.
- Illumina™ knobs.
- Continuous grates.
- Auto connect to hood.
- SmartThings app enables monitoring of the cooktop from outside the kitchen.
- Removable cast iron griddle and wok ring included.

BURNER PERFORMANCE

TOTAL NUMBER OF COOKTOP BURNERS	5
LEFT FRONT BURNER (BTU)	9,500
LEFT REAR BURNER (BTU)	9,500
RIGHT FRONT BURNER (BTU)	13,000
RIGHT REAR BURNER (BTU)	5,000
CENTER BURNER POWER (BTU)	19,000
SEALED BURNERS	YES

CONTROL FEATURES

DISHWASHER SAFE KNOBS	YES
CONTROL LOCATION	FRONT
LED KNOB BACKLIGHT + INDICATOR	YES
WI FI HOOD CONNECTIVITY	YES
AUTOMATIC REIGNITION	YES

INSTALLATION

GAS TYPE	NATURAL GAS
LP CONVERSION KIT	YES
INSTALLATION TYPE	DROP-DOWN

TECHNICAL DETAILS

CIRCUIT BREAKER (A)	1
VOLTS (V)	120
FREQUENCY (HZ)	60
ENERGY SOURCE	GAS AND ELECTRIC

DIMENSIONS & WEIGHT

APPLIANCE DIMENSIONS (W X H X D) (IN.)	36" X 3 1/8" X 22 3/8"
CHASSIS REQUIRED CUTOOUT SIZE (W X D) (IN.)	33 7/8" X 19 1/8"

ACCESSORIES (INCLUDED)

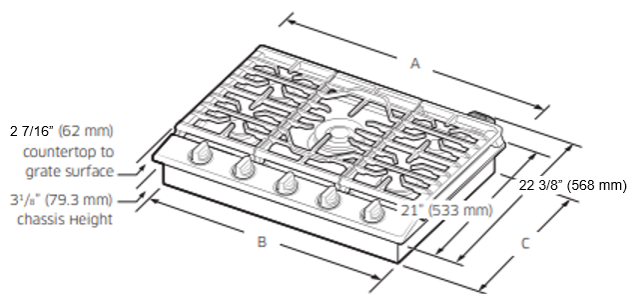
CAST IRON GRIDDLE	YES
WOK RING	YES

WARRANTY

LIMITED, PARTS AND LABOR	2 YEARS
--------------------------	---------

dacor 36-INCH GAS COOKTOP

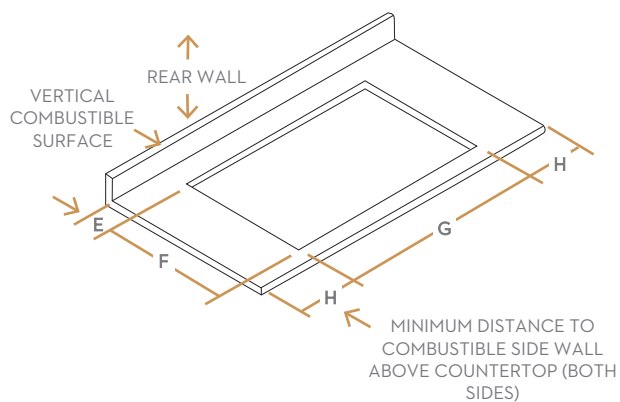
APPLIANCE DIMENSIONS



INSTALLATION CUTOUT DIMENSIONS

36"

E (MIN)	2 7/8" (73MM)
F (MIN)	19 1/8" (485.8MM)
G (MIN)	33 7/8" (860.4MM)
H (MIN)	12" (304.8MM)



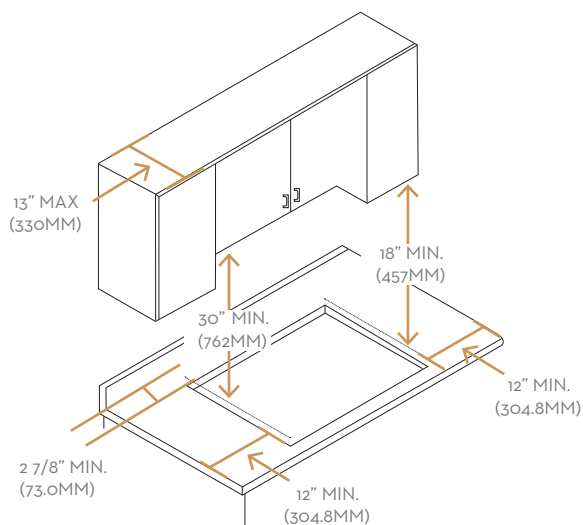
APPLIANCE DIMENSIONS

36"

A (WIDTH)	36" (914.4MM)
B (CHASSIS WIDTH)	33 11/16" (855MM)
C (CHASSIS DEPTH)	18 7/8" (479MM)

INSTALLATION CUTOUT DIMENSIONS

36"



INSTALLATION CUTOUT DIMENSIONS

36" DOWNDRAFT | DTG36P875N

COMING SOON

NOTE: All horizontal clearances must be maintained for a minimum of 18" (457mm) above the cooking surface.