

***dacor***<sup>®</sup>

Installation Instructions

**Modernist Rangetop**

DTT36M974L\*/DTT48M976L\*

# Contents

---

<b>Before you begin</b>	<b>5</b>
Important	5
About this manual	5
Important note to the installer	5
Important note to the consumer	6
Important note to the servicer	6
<b>Customer-service information</b>	<b>7</b>
<b>Important safety instructions</b>	<b>8</b>
Read all instructions before using this appliance	8
Symbols used in this manual	8
State of California Proposition 65 warning (US only)	8
Commonwealth of Massachusetts	8
<b>Safety and warning information</b>	<b>9</b>
General safety	9
Fire safety	10
Gas safety	11
Electrical and grounding safety	12
Installation safety	13
Location safety	14
Rangetop safety	15
<b>Product specifications</b>	<b>17</b>
What's in the box	17
<b>Installation requirements</b>	<b>19</b>
Pre-installation checklist	19
Location requirements	19
Gas supply requirements	28
Special gas requirements (gas models sold in Massachusetts)	29
Electrical requirements	29
<b>Installation instructions</b>	<b>31</b>
Installing your rangetop	31



To Our Valued Customer:

Congratulations on your purchase of the very latest in Dacor® products! Our unique combination of features, style and performance make us The Life of the Kitchen™, and a great addition to your home.

In order to familiarize yourself with the controls, functions and full potential of your new Dacor Appliance, read this use and care manual thoroughly, beginning with the **Before you begin** section.

All Dacor appliances are designed and manufactured with quality and pride, while working within the framework of our company value. Should you ever experience a problem with your product, please first check the Troubleshooting section of this manual for guidance. It provides useful suggestions and remedies prior to calling for service.

Valuable customer input helps us to continuously improve our products and services, so please feel free to contact our Customer Service Team for assistance with any of your product support needs.

Dacor Customer Service Team  
14425 Clark Avenue  
City of Industry, CA 91745

**Telephone:** (800) 793-0093  
**Fax:** (626) 403-3130  
**Hours of Operation:** Monday through Friday 6:00 A.M. to 5:00 P.M. Pacific Time  
**Website:** [www.Dacor.com](http://www.Dacor.com)

Thank you for choosing Dacor for your home. We are a company built by families for families, and we are dedicated to serving yours. We are confident that your new Dacor product will deliver a high level of performance and enjoyment for many years to come.

Sincerely,

*The Dacor Customer Service Team*

---

**WARNING:** Failure to follow the instructions in this manual exactly may cause a fire or explosion, and, consequently, property damage, personal injury, or death.

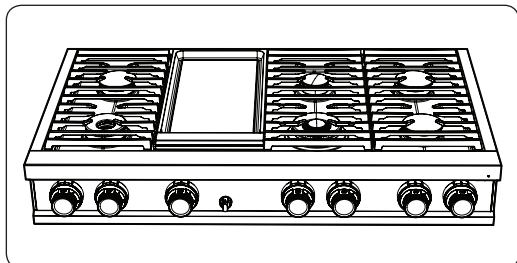
- **DO NOT** keep or use gasoline or other flammable products near this appliance.
- **IF YOU SMELL GAS:**
  - **DO NOT** light any appliances.
  - **DO NOT** touch any electrical switches.
  - **DO NOT** use any phone in your building.
  - Immediately call your gas supplier from a neighbor's phone, and follow the supplier's instructions. (If you cannot reach your gas supplier, call the fire department.)
- Installation and service must be performed by a qualified installer, service agency, or the gas supplier.

# Before you begin

---

## Important

---



- The overall design and/or accessories may differ with the model.

### Installer

- To promote safety and minimize problems, read this manual thoroughly before starting the installation. Leave this manual with the user.
- Write the appliance's model/serial numbers in this manual for service/maintenance reference.

### User

- Keep this manual for personal reference and for that of inspectors, service personnel, etc.

## About this manual

---

READ THESE INSTRUCTIONS COMPLETELY AND CAREFULLY.

### Important note to the installer

---

- Read all instructions contained in these installation instructions before installing the appliance.
- Remove all packing materials from the appliance compartments before connecting the electric and gas supply to the appliance.
- Observe all governing codes and ordinances.
- Be sure to leave these instructions with the consumer.
- Installation of this appliance requires basic mechanical skills.
- Proper installation is the responsibility of the installer.
- Product failure due to improper installation is not covered under the Warranty.

# Before you begin

---

## Important note to the consumer

---

Keep these instructions with your user manual for future reference.

- As when using any appliance generating heat, there are certain safety precautions you should follow.
- Be sure your appliance is installed and grounded properly by a qualified installer or service technician.
- Make sure the wall coverings around the cooktop can withstand the heat generated by the appliance.
- Cabinet storage space above the rangetop burners should be a minimum of 30 in (76.2 cm).

## Important note to the servicer

---

The electrical diagram is attached inside the burner box.

# Customer-service information

---

If you have questions or problems with installation, contact your Dacor dealer or the Dacor Customer Service Team. For repairs to Dacor appliances under warranty call the Dacor Distinctive Service line. Whenever you call, have the model and serial number of the appliance ready. The model and serial number are printed on a label.

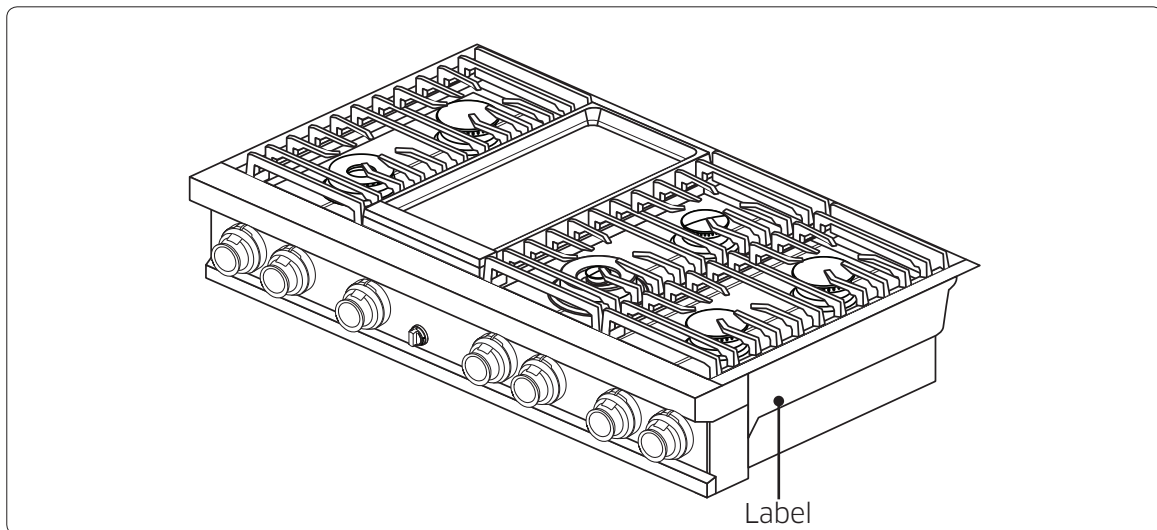
## Dacor Customer Service

Phone: (800) 793-0093 ex. 2813 (U.S.A. and Canada)

Monday – Friday 6:00 a.m. to 5:00 p.m. Pacific Time

Web site: [www.dacor.com](http://www.dacor.com)

**Dacor Distinctive Service (for repairs under warranty only)** Phone: (800) 793-0093 ex.2822 (U.S.A. and Canada) Monday – Friday 6:00 a.m. to 5:00 p.m. Pacific Time



# Important safety instructions

---

## READ ALL INSTRUCTIONS BEFORE USING THIS APPLIANCE

---

- Electrical and gas equipment with moving parts can be dangerous. The important safety instructions in this manual are intended to minimize the risk of property damage, personal injury, and death. Be sure to read them.
- Keep this manual in a handy place so you can refer to it as needed.

## Symbols used in this manual

---

### **WARNING**

Hazards or unsafe practices that may result in severe personal injury or death.

### **CAUTION**

Hazards or unsafe practices that may result in electric shock, personal injury, or property damage.

### **NOTE**

Useful tips and instructions.

These warning icons and symbols are intended to prevent property damage and personal injury. Follow them explicitly.

## State of California Proposition 65 warning (US only)

---

**WARNING** : This product contains chemicals known to the State of California to cause cancer and birth defects or other reproductive harm.

Gas appliances can cause low-level exposure to Proposition 65 listed substances (including benzene, carbon monoxide, formaldehyde, and soot) resulting from the incomplete combustion of LP or natural gas.

## Commonwealth of Massachusetts

---

This product must be installed by a licensed plumber or gas fitter qualified or licensed by the State of Massachusetts. When using ball-type gas shut-off valves, you must use the T-handle type. Multiple flexible gas lines must not be connected in series.



# Safety and warning information

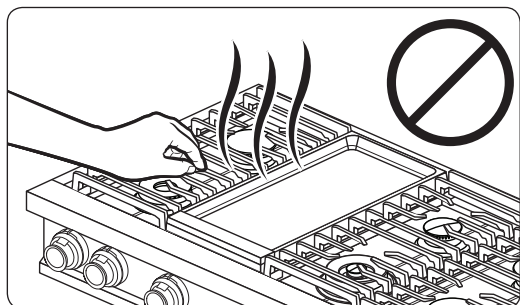
---

## General safety

---

### **⚠ WARNING**

To reduce the risk of fire, electric shock, personal injury, or death, observe these precautions:



- **Do not touch** any surface, component, or mechanism of the appliance during or immediately after cooking.
- **Learn** where and how to shut off the valve that feeds gas to the appliance.

- **Make sure the rangetop's hold-down brackets** are properly installed. (See the Installation Instructions for details.)
- **Do not let children sit/stand** on the appliance or play with any of its parts. Do not leave children unattended in the kitchen when the appliance is in use.
- **Remove** all packaging before operating the appliance to keep this material from catching fire. Keep all packaging away from children. Properly dispose of packaging as soon as the appliance is unpacked.
- **Do not keep** objects of interest to children on or around the appliance.
- **Do not operate** the appliance if it is damaged in any way, if it malfunctions, or is missing parts.
- **Do not use** the appliance as a space heater. This appliance is to be used for cooking purposes only.
- **Use** only dry pot holders.
- **Do not use** the appliance to heat sealed food containers.
- **Unplug** the appliance before service/maintenance.
- An air curtain or other overhead range hood, which operates by blowing a downward airflow onto a range, shall not be used in conjunction with a gas range unless the hood and range have been designed and tested in accordance with the Standard for Domestic Gas Ranges, ANSI Z21.1 • CSA1.1, and listed by an independent testing laboratory for combination use.

### **⚠ WARNING**

**NEVER** use this appliance as a space heater to heat or warm the room. Doing so may result in carbon monoxide poisoning and overheating of the oven.

# Safety and warning information

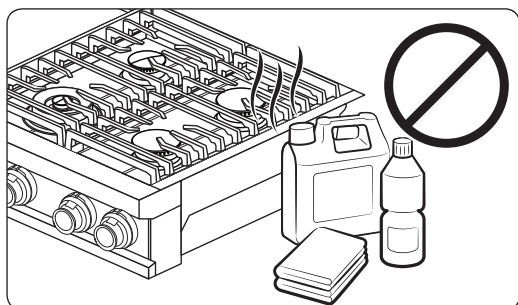
---

## Fire safety

---

### **⚠ WARNING**

To reduce the risk of fire, electric shock, personal injury, or death, observe these precautions:



- **Do not store/place/use** combustible materials (e.g., paper, plastic, pot holders, linens, gasoline, alcohol) near the appliance.
- **Do not wear** loose fitting or hanging garments while using the appliance.

- To avoid grease buildup, **regularly clean** the vents.
- **Do not let** pot holders or other flammable material touch a heating element. Do not use a towel or other bulky cloth item as a pot holder.
- **Do not douse** a grease fire with water. Instead, turn off the heat source, and smother the fire with a tight-fitting lid, or use a multi-purpose, dry-chemical or foam extinguisher.
- **Do not heat** unopened food containers - buildup of pressure may cause container to burst and result in injury.

---

## Gas safety

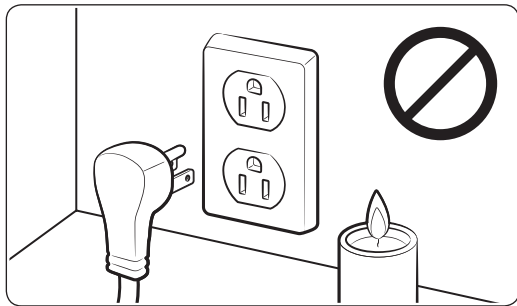
---

### **⚠ WARNING**

To reduce the risk of fire, electric shock, personal injury, or death, observe these precautions:

#### **If you smell gas:**

- Close the valve and do not use the appliance.
- Do not light a match, candle, or cigarette.
- Do not turn on any gas or electric appliances.



- Do not touch an electrical switch or plug in a power cord.
- Do not use any phone in your building.
- Evacuate everyone from the building.
- Immediately call your gas supplier from a neighbor's phone. Follow the gas supplier's instructions.
- If you cannot reach your gas supplier, call the fire department.

#### **Checking for gas leaks**

- Leak-testing the appliance must be done according to the manufacturer's instructions. Do not use a flame to check for gas leaks. Use a brush to spread a soap-and-water solution around the area you are checking. If there is a gas leak, small bubbles will appear in the solution.

# Safety and warning information

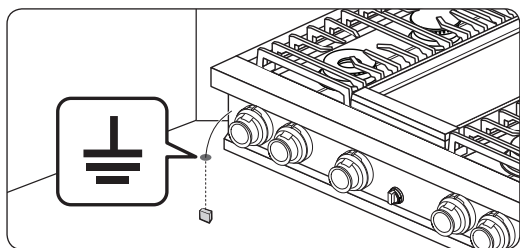
---

## Electrical and grounding safety

---

### **⚠ WARNING**

To reduce the risk of fire, electric shock, personal injury, or death, observe these precautions:



- Plug into a grounded 3-prong outlet.
  - **Do not remove** the ground prong.
  - **Do not use** an adapter or an extension cord.
  - **Do not use** a damaged power plug, power cord, or loose power outlet.
  - **Do not modify** the power plug, cord, or outlet.
- 
- **Do not put** a fuse in a neutral or ground circuit.
  - Use a dedicated 120-volt, 60-Hz, 15-amp, AC, fused electrical circuit for this appliance. A time-delay fuse or circuit breaker is recommended. Do not plug more than one appliance into this circuit.
  - **Do not connect** the ground wire to plastic plumbing lines, gas lines, or hot water pipes.
  - This appliance **must be grounded**. If the appliance malfunctions or breaks down, grounding reduces the risk of electric shock by providing a safe path for the current. This appliance's power cord has a grounding plug, which must be firmly plugged into an outlet that is properly installed and grounded according to local regulations. If you are not sure your electrical outlet is properly grounded, have it checked by a licensed electrician.
  - If codes allow for a separate ground wire, you should have a qualified electrician determine this wire's proper path.
  - Electrical service to the appliance must conform to local codes, or in the absence of local codes, to the National Electrical code/NFPA No. 70 - Latest Revision (for the U.S.) or the Canadian Electrical Code CSA C22.1 or Latest Revisions.
  - The appliance owner shall ensure that the proper electrical service is provided for the cooktop.

---

## Installation safety

---

### **WARNING**

To reduce the risk of fire, electric shock, personal injury, or death, observe these precautions:

- The appliance should be installed and properly grounded by a **qualified installer**, as specified in the Installation Instructions. Adjustments and service should be performed only by qualified gas appliance installer or service technician.
- **Do not try** to service/modify/replace the appliance or any part of it unless specifically recommended in this manual. All other service should be performed by a qualified technician.
- Use only new, flexible connectors when installing the appliance.
- **Make sure** the rangetop's hold-down brackets are properly installed. (See the **Installation Instructions** for details.)
- **Remove** all tape and packaging materials.
- After unpacking the appliance, **remove** all accessories from inside and around it. (Cautiously handle the heavy grates.)
- **Make sure** no parts came loose during shipping.
- **Make sure** the appliance is correctly installed/adjusted by a qualified service technician or installer for the type of gas (natural or LP) you will use.
- Installation of this appliance must conform with local codes or, in the absence of local codes, with the National Fuel Gas Code, ANSI Z223.1/NFPA.54, latest edition. In Canada, installation must conform with the current Natural Gas and Propane Installation Code, CAN/CGA-B149.1, or the current Propane Installation Code, CAN/CGA-B149.2, and with local codes where applicable. This cooktop has been design-certified by UL according to ANSI Z21.1/CSA 1.1, latest edition.

# Safety and warning information

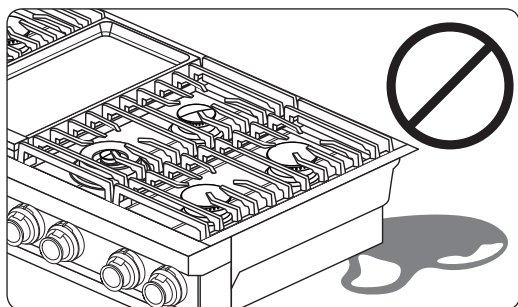
---

## Location safety

---

### **WARNING**

To reduce the risk of fire, electric shock, personal injury, or death, observe these precautions:



- This appliance is for indoor household use only. **Do not install** the appliance outdoors or anywhere that it will be exposed to weather/water or wind/strong drafts.

- The appliance must be installed within easy reach of a grounded, 3-prong outlet.
- Do not hang paper blinds on a window near the cooktop; **do not hand** long curtains that could be blown over/onto the appliance.
- For proper ventilation, the appliance needs sufficient space below and all around the chassis. Vents in the chassis exhaust heat and fumes so the appliance can operate properly.
- **Make sure** the wall coverings around the appliance can withstand heat up to 194 °F (90 °C) generated by the appliance.
- Do not store items above the appliance. If cabinet storage above the appliance is necessary, allow a minimum clearance of 30 in. (76.2 cm) between the cooking surface and the bottom of the cabinets.

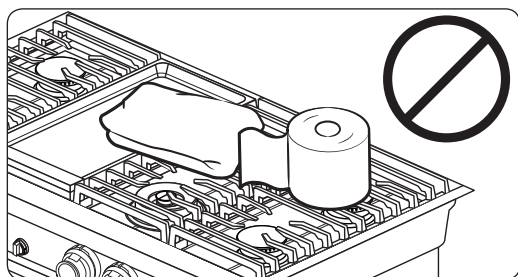
---

## Rangetop safety

---

### **⚠ WARNING**

To reduce the risk of fire, electric shock, personal injury, or death, observe these precautions:



- **Make sure** all burners are off when not in use.
  - **Do not use** aluminium foil to line the grates or any part of the rangetop.
  - **Do not leave** burners unattended on medium or high heat settings.
  - Before igniting, **make sure** all burner caps are properly in place and all burners are level.
- 
- Always use the LITE position to ignite a burner, then make sure the burner has ignited. If ignition fails, turn the knob to OFF, and wait a few minutes for the gas to dissipate.
  - When you set a burner to simmer, **do not turn** the knob quickly. Make sure the flame stays on.
  - **Do not** place any objects other than cookware on the rangetop.
  - Before removing or changing cookware, turn off the burners.
  - Remove food and cookware immediately after cooking.
  - Make sure all rangetop burners are off and all surfaces have completely cooled before removing the grates and disassembling the burners.
  - After cleaning the burner head, **make sure** it is completely dry before reassembling it.
  - To avoid carbon monoxide poisoning, **do not pour** water or other liquids into the rangetop during cleaning.
  - Select cookware that is designed for rangetops and that is large enough to cover the grates. Burner flames should not extend beyond the bottom of the cookware.
  - To avoid cookware discoloration, deformity, and/or carbon monoxide poisoning, do not use cookware that is exceedingly larger than the grate.
  - Turn cookware handles to the side or rear of the rangetop and not over active burners or the front edge of the rangetop.
  - Stand at a safe distance while frying to avoid hot spatter.
  - When frying, always heat the oil slowly, and monitor the oil as it heats. When frying foods at high heat, monitor the oil throughout the cooking process. If combining fats or oils for frying, mix them together before heating.
  - Use a deep-fry thermometer when possible to avoid heating the oil beyond its smoke point. (Know the smoke point of the oil you are using.)

# Safety and warning information

---

- Always use a minimum amount of oil for any type of frying. Always thaw food before frying, and do not fry food that is overly cold or that has clumps of ice attached to it.
- Always let the oil/fat in the cookware to cool to room temperature before moving the cookware.
- To avoid delayed-eruptive boiling, let hot oil/fat stand at least 20 seconds after turning off the burner so the temperature can stabilize. In the event of scalding, follow these first-aid instructions:
  1. Immerse the scalded area in cool or lukewarm water for at least 10 minutes.
  2. Do not apply any creams, oils, or lotions.
  3. Cover the scalded area with a clean, dry cloth.



# Product specifications

## What's in the box

### Parts supplied

#### Common



Manual



Regulator (1) \*



Bolt (2)

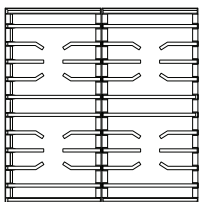


Washer (2)



Envelope (1)

#### 36" : DTT36M974L\*



Cooktop burner grates (2)

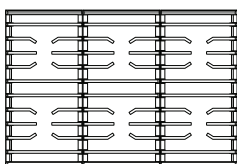


Burner heads (4) and Brass caps (5)



Porcelain caps (4)

#### 48" : DTT48M976L\*



Cooktop burner grates (3)



Burner heads (6) and Brass caps (7)



Porcelain caps (6)

### NOTE

- Make sure you have received all of the supplied parts shown above.
- If your cooktop was damaged during shipping or some specified parts are missing, contact your local retailer. Do not install a damaged or incomplete cooktop.
- If you need an accessory marked with an asterisk (\*), contact the DACOR Call Center using the phone number on the last page of this manual, or visit our online parts website: [www.dacor.com](http://www.dacor.com).

# Product specifications

## Parts needed



Gas line shut-off valve



Flexible metal appliance connector  
½ in (ID) x 5 ft



Flare union adapter ¾ in (NPT) x ½ in (ID)



Flare union adapter ½ in (NPT) x ½ in (ID)



135-degree elbow (optional)



90-degree elbow (optional)

## Tools needed



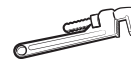
Flat-blade screwdriver



Phillips screwdriver



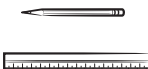
Open-end or adjustable wrench



Pipe wrench (2)



¼" Nut driver



Pencil and ruler



Level



Pipe joint compound



Utility knife



Soapy water solution



Pliers



Saber saw

# Installation requirements

---

## Pre-installation checklist

---

1. Before preparing the opening in the countertop, verify that there will be no conflict between the rangetop chassis and anything in the cabinet below.
2. Remove packing materials, grate boxes, regulator with literature, and literature package from the appliance, verify that all items are present before beginning the installation.

## Location requirements

---

**BEFORE YOU BEGIN** installing the appliance, see the information, dimensions, and clearances below. These dimensions must be met for safe operation. The location of the electrical outlet and gas piping may be adjusted to meet the specified parameters.

### **CAUTION**

This appliance complies with the maximum allowable wood-cabinet temperature of 194 °F (90 °C). Make sure the wall covering, countertops, and surrounding cabinets can also withstand this temperature. If not, discoloration, delamination, or melting may occur.

# Installation requirements

## Maintain the following minimum clearance dimensions

1 Vertical to combustible surface from rangetop grate level; if installing an overhead vent hood, also check the hood specifications for minimum required clearances.

2 See Cabinet/Countertop Dimensions - Top View.

3 This specification not applicable for cabinets more than a horizontal distance of 10" (25.4 cm) from the edge of the rangetop.

Rangetop	DTT36M974L*	DTT48M976L*
A	36" (91.41 cm)	48" (121.9 cm)
B	36" (91.41 cm)* 42" (106.7 cm)**	48" (121.9 cm)* 54" (137.2 cm)**

\* Minimum  
\*\* Recommended

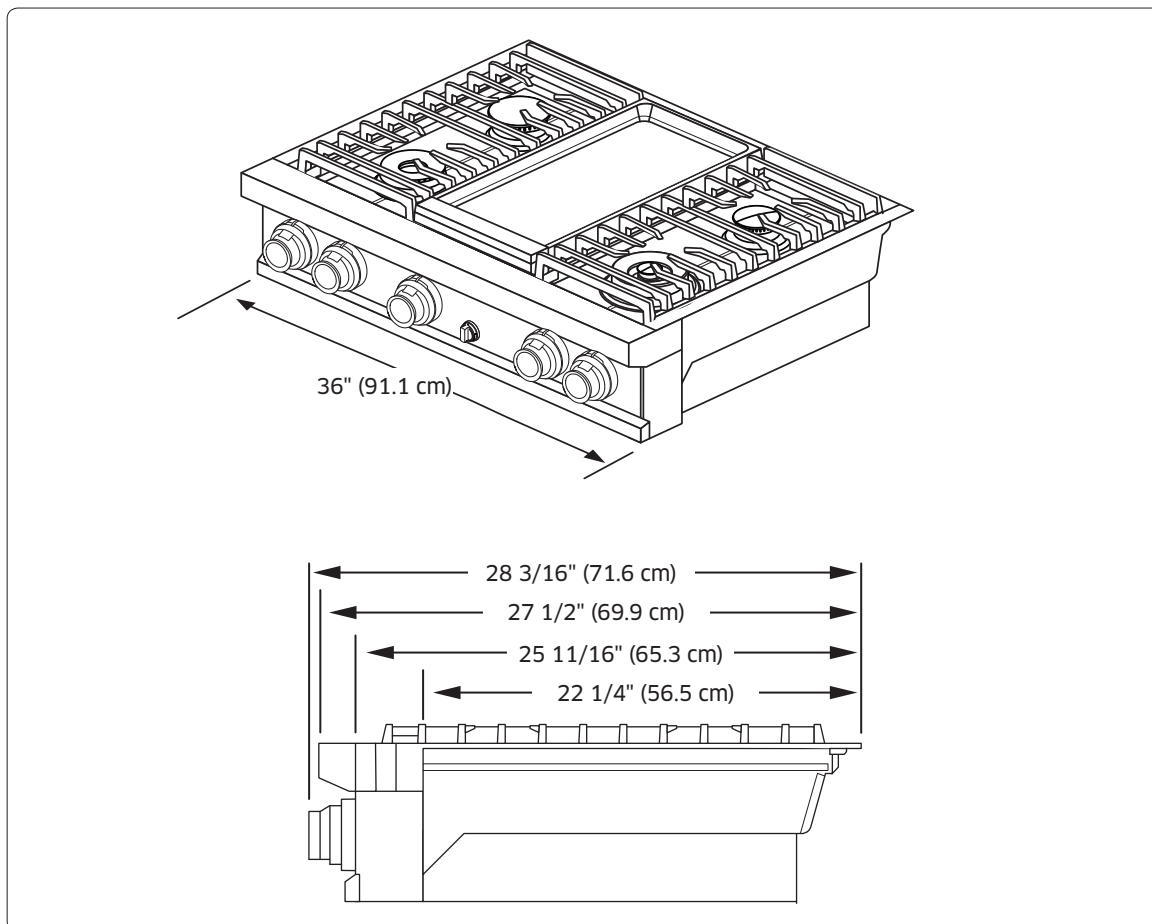
A: Rangetop cutout  
B: Range hood cutout

### NOTE

All vertical clearances must be maintained for a minimum of 18" (457 mm) above the cooking surface.

## Overall cooktop dimensions

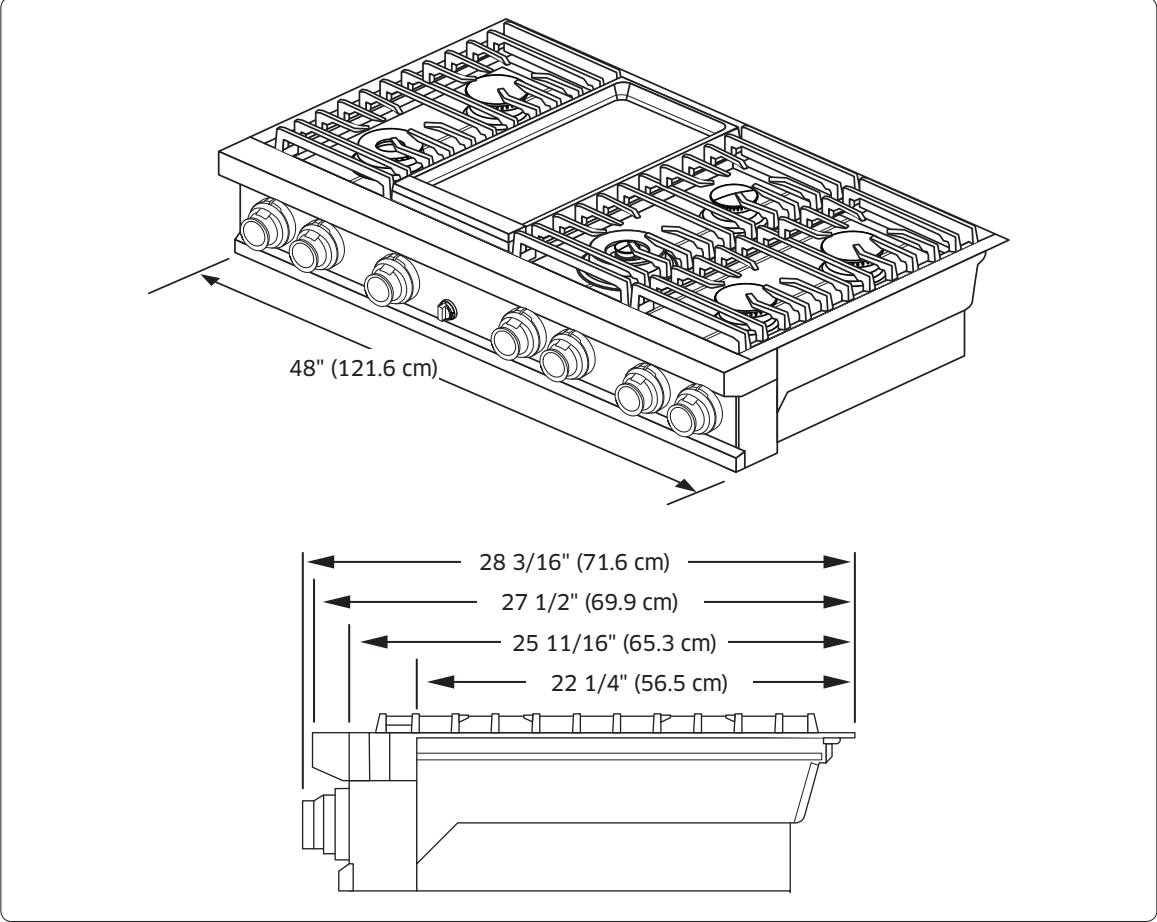
DTT36M974L\*



Installation requirements

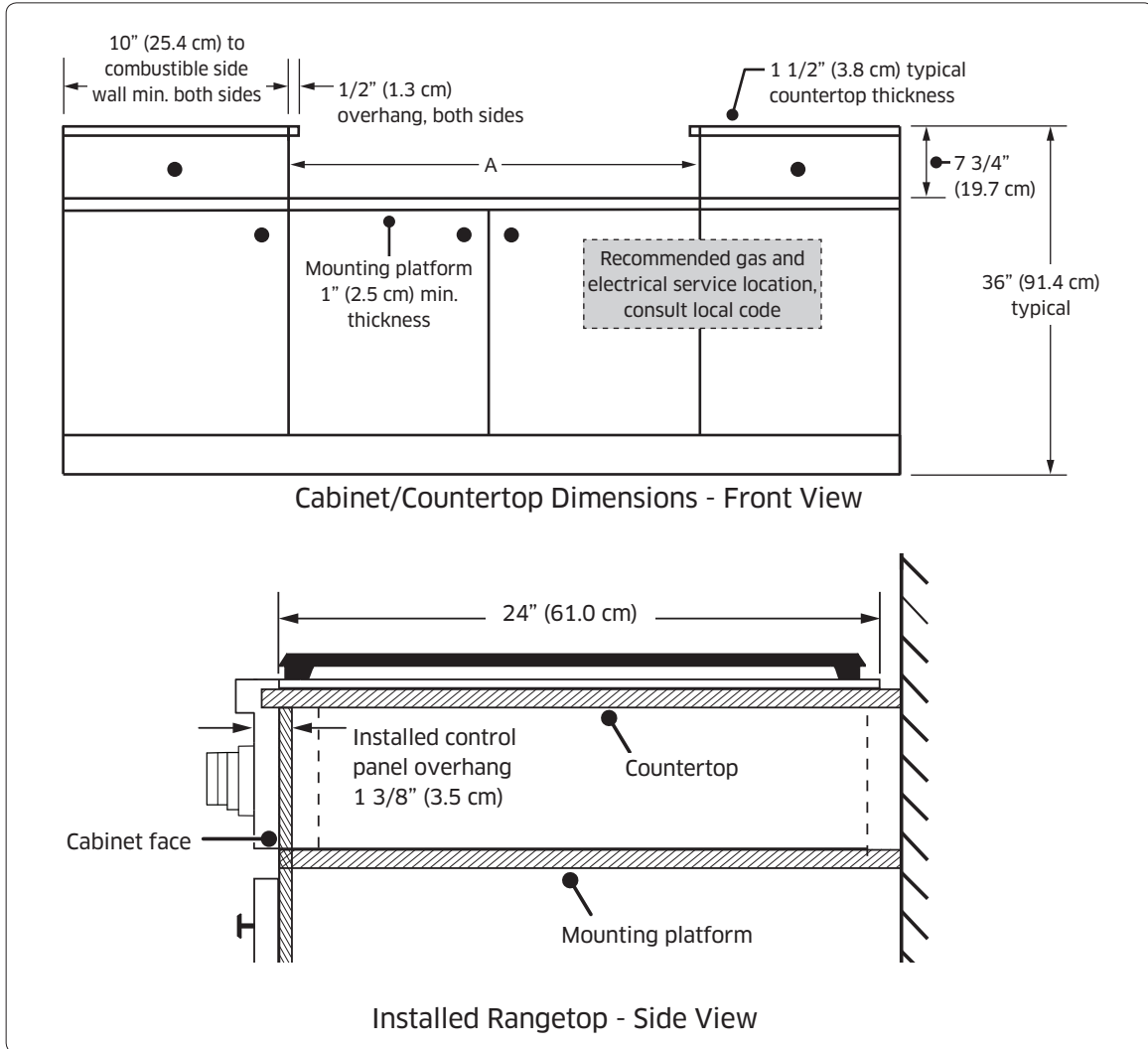
# Installation requirements

DTT48M976L\*



Installation requirements

## Cutout dimensions of countertop



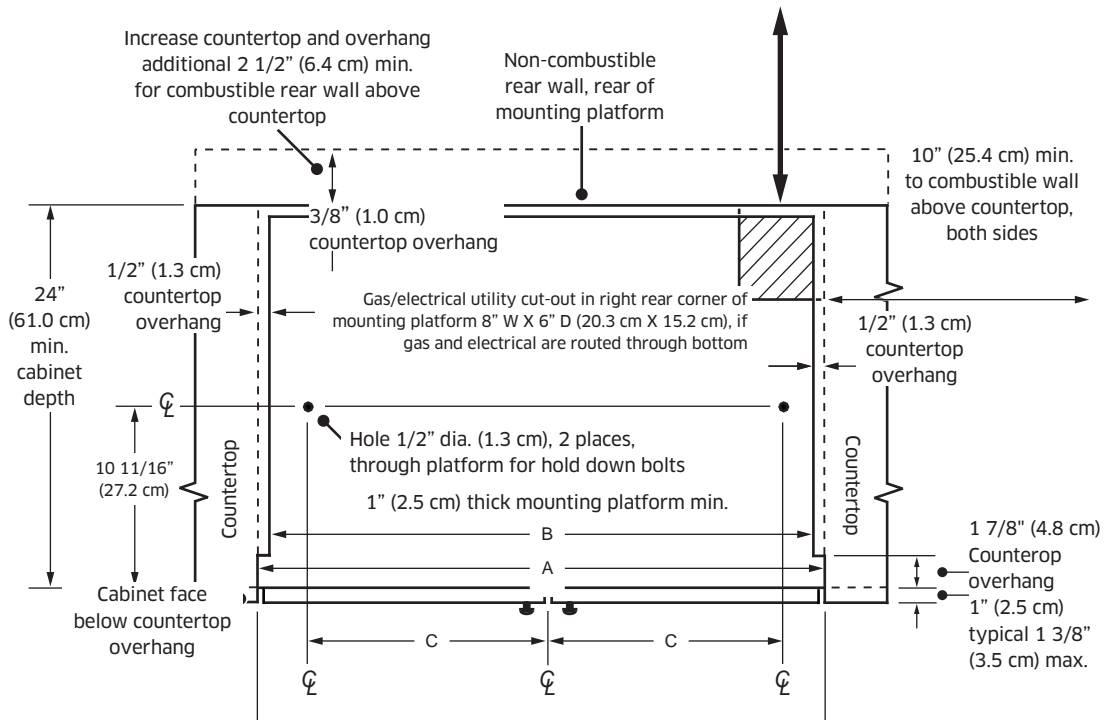
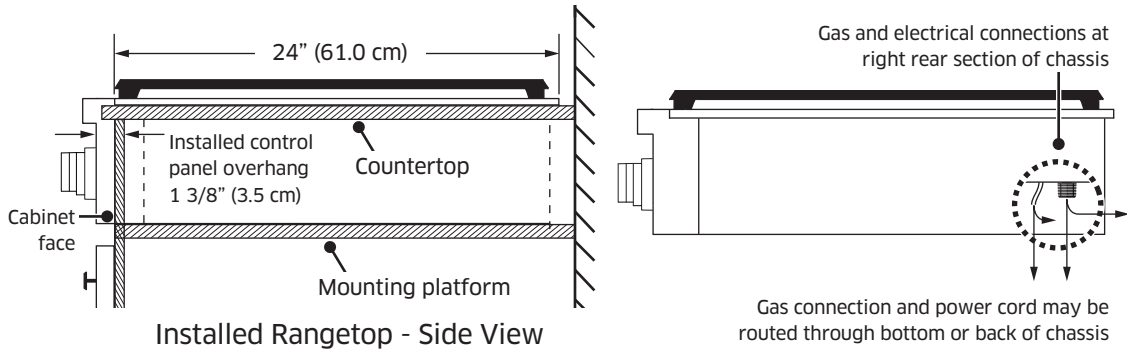
### **⚠ CAUTION**

Cut out dimension should be observed for installation. Enlargement in cut out dimension may cause hazard.

### **📄 NOTE**

Cabinet tolerances +1/16" (+1.6 mm) -0 unless otherwise noted.

# Installation requirements



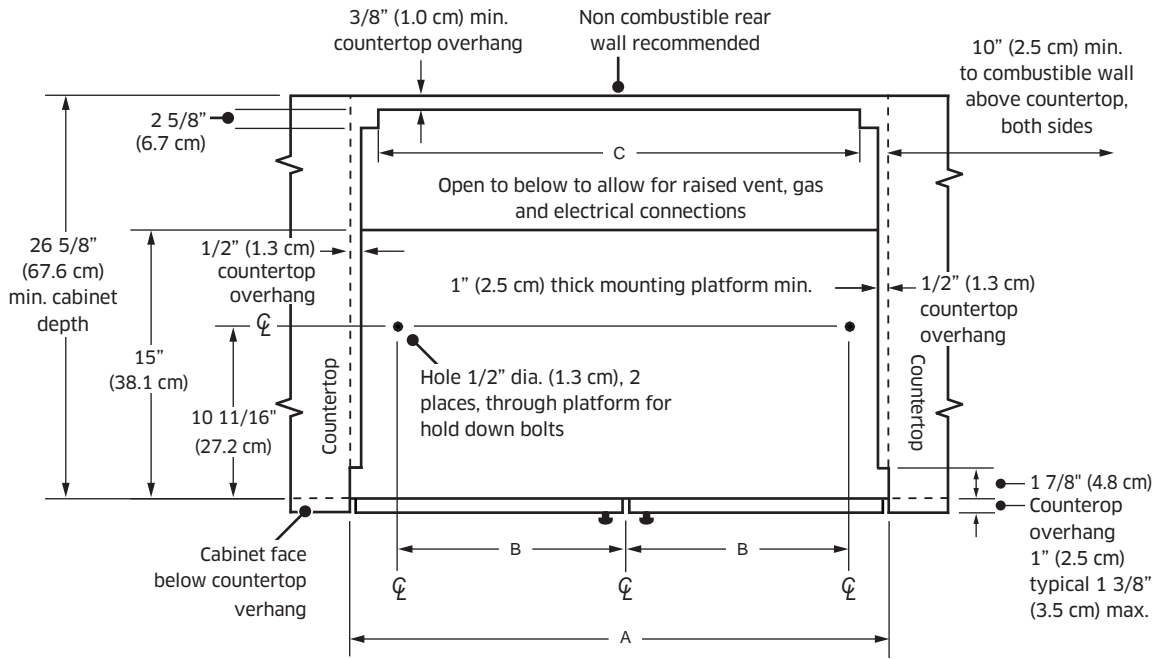
Cabinet/Countertop Cutout Dimensions without Downdraft Vent - Top View

Rangetop Model	A	B	C
DTT36M976L*	36" (91.4 cm)	35" (88.9 cm)	16 5/8" (42.2 cm)
DTT48M976L*	48" (121.9 cm)	47" (119.4 cm)	20 13/16" (52.9 cm)



**NOTE**

Gas and electrical connections may only be routed through the bottom of the rangetop when installed with a downdraft vent.

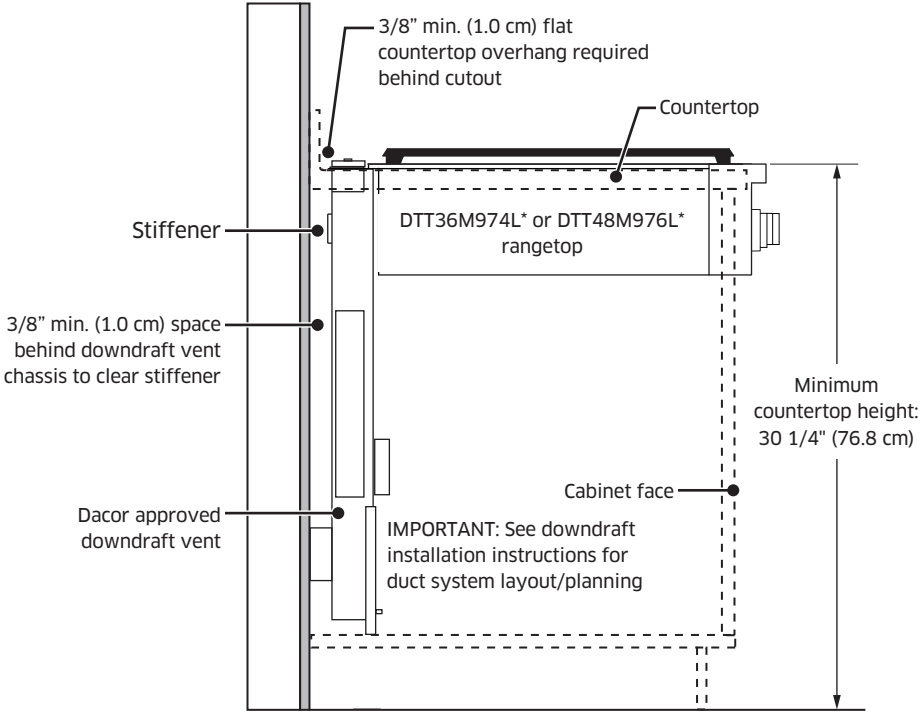


Cabinet/Countertop Cutout Dimensions with Downdraft vent - Top View

Rangetop Model	A - Cutout Width	B - Hole Offset	C - Downdraft Vent Cutout	Approved Downdraft Vent Models
DTT36M976L*	36" (91.4 cm)	16 5/8" (42.2 cm)	33 1/2" (85.1 cm)	ERV36, ERV3615, PRV36
DTT48M976L*	48" (121.9 cm)	20 13/16" (52.9 cm)	43 1/2" (110.5 cm)	ERV48, PRV48

**IMPORTANT:** Use only the downdraft vent models specified.

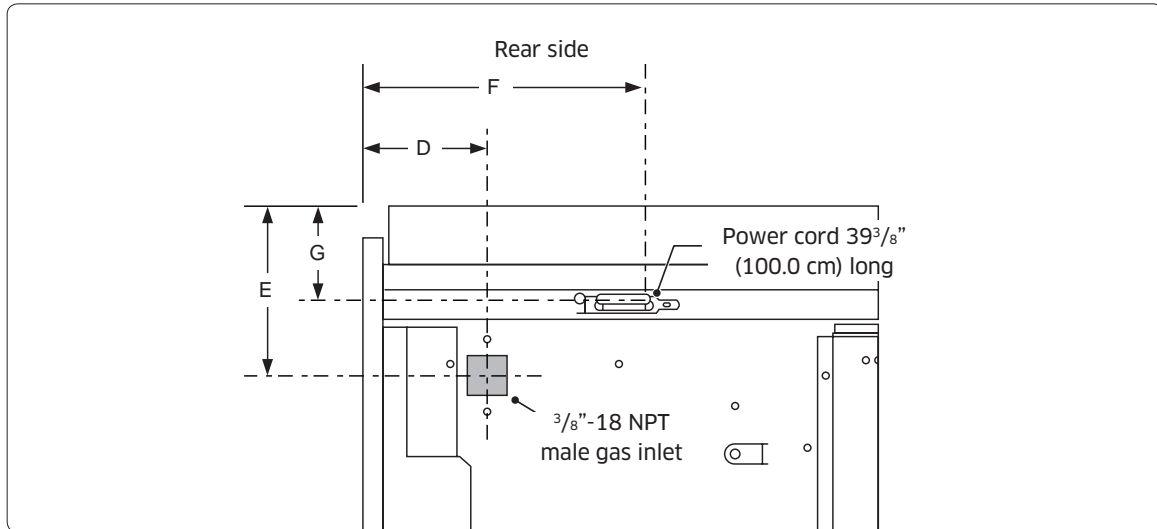
# Installation requirements



Cabinet/Countertop with Downdraft vent - Side View

Installation requirements

## Utility locations and dimensions



Dimension	DTT36M974L*	DTT48M976L*
<b>D</b>	3 1/2" (8.9 cm)	4" (10.1 cm)
<b>E</b>	4 11/16" (11.9 cm)	4 11/16" (11.9 cm)
<b>F</b>	5 1/8" (13 cm)	16 1/2" (41.9 cm)
<b>G</b>	2 11/16" (6.9 cm)	2 11/16" (6.9 cm)

# Installation requirements

---

## Gas supply requirements

---

### Provide adequate gas supply

This appliance is designed to operate at a manifold pressure of 5 in (13 cm) of water column on natural gas or 10 in (25 cm) of water column on LP gas (propane or butane).

Make sure you are supplying your appliance with the type of gas for which it is designed. When checking for proper operation of the regulator, the inlet pressure must be at least 1 in (2.5 cm) greater than the operating (manifold) pressure as given.

The pressure regulator located at the inlet of the appliance manifold must remain in the supply line regardless of whether natural or LP gas is being used.

### NOTE

- The appliance with its own regulator. Use only the provided regulator, which must be installed in the gas line that runs from the gas inlet to the gas shut-off valve.
- An external manual shut-off valve must be installed between the gas inlet and the appliance for turning on/off gas to the appliance.
- Be sure the connectors are installed by a qualified installer.
- For a new appliance, never install used connectors, which can leak gas and cause personal injury. Use only new, flexible connectors.

---

## Special gas requirements (gas models sold in Massachusetts)

---

### COMMONWEALTH OF MASSACHUSETTS REQUIREMENTS:

#### WARNING

- Gas leaks may occur in your system, creating a dangerous situation.
  - Gas leaks may not be detected by smell alone.
  - Gas suppliers recommend installing a UL-approved gas detector according to manufacturer specifications.
- The appliance must be installed by a plumber or gas fitter certified by the State of Massachusetts.
- A T-handle manual gas valve **MUST** be installed in the gas supply line to your appliance.
- If a flexible gas connector is used to install your appliance, multiple flexible gas lines must not be connected in series.

---

## Electrical requirements

---

#### WARNING

- It is the owner's responsibility to make sure that the electrical service meets electrical requirements and that the electrical outlet has been properly installed by a licensed electrician.
- To reduce the risk of fire, electric shock, or personal injury:  
**All cooktops**
  - Do not use an extension cord or adapter plug with this appliance.
  - This appliance must be properly grounded.
  - Check with a qualified electrician if you are in doubt as to whether your appliance is properly grounded.
  - Do not modify the power plug. If it does not fit the outlet, have a proper outlet installed by a qualified electrician.
  - All wiring and grounding must comply with local codes or, in the absence of local codes, with the National Electrical Code, ANSI/NFPA No. 70 - Latest Revision (US), or the Canadian Electrical Code CSA C22.1 - Latest Revisions and local codes.
  - The wiring diagram is inside the burner box.
  - The appliance's electronic ignition system will not operate if the outlet is not properly polarized.

# Installation requirements

---

## Rangetops

- All gas models are equipped with a power cord with an equipment-grounding conductor and a grounding plug.
- All gas models in the US and Canada require a 120 V, 60-Hz, AC, approved electrical service with 20-amp circuit breaker or time-delay fuse.

## NOTE

Re-ignition may malfunction if the voltage between Neutral and Ground is over 20 VAC. Make sure the voltage is under 20 VAC.

## Grounding

- All rangetops must be grounded for personal safety.
- The plug must be firmly inserted in a three-prong outlet that is properly installed and grounded according to local codes. After a malfunction or breakdown, grounding decreases the risk of electrical shock by providing the current a safe path.
- Do not use a damaged power plug or loose wall outlet.
- Do not use an extension cord or adapter with this appliance.
- Never cut, modify, remove, or otherwise defeat the plug's grounding (third) prong. If the plug and outlet do not match or you have any doubt, have a qualified electrician check the wall receptacle and circuit to ensure the receptacle is properly grounded and install the proper outlet if needed.
- NEVER connect ground wire to plastic plumbing lines, gas lines, or water pipes.

## CAUTION

Failure to follow these instructions can cause fire, electrical shock, death.

## Additional installation requirements for mobile homes

Installation of appliances designed for mobile-home use must comply with the Manufactured Home Construction and Safety Standard, Title 24 CFR, Part 3280 (formerly the Federal Standard for Mobile Home Construction and Safety, Title 24, HUD, Part 280) or, when such standard does not apply, the Standard for Manufactured Home Installations, latest edition (Manufactured Home Sites, Communities and Set-Ups), ANSI A225.1, latest edition, or with local codes. In Canada, mobile home installation must comply with the current CAN/CSA Z240/MH Mobile Home Installation Code.

# Installation instructions

---

## Installing your rangetop

---

### **IMPORTANT:**

Carefully read these instructions and the Important Safety Instructions section at the front of this manual BEFORE installing/operating the rangetop. Improper installation, adjustment, service, or maintenance can lead to personal injury and property damage.

### **NOTE**

To ensure proper installation, you should hire a qualified professional.

### **Unpacking the rangetop**

1. Remove all packaging material. (Failure to do so could damage the appliance.)
2. Inventory all loose parts against supplied components listed on Page **17**.
3. Check for shipping damage, and report any damage and missing parts to your local retailer.

### **Installing the rangetop**

1. If a downdraft vent will accompany the appliance, first install the downdraft as specified in its installation instructions.
2. Lower the appliance into the cutout and center it.
3. Secure the rangetop to the countertop using the two hold-down brackets.

# Installation instructions

---

## Connecting the gas supply

1. Shut off the main gas-supply valve before disconnecting the old rangetop.
2. Complete the gas hookup.
3. Open the gas valve, and relight the burners on any other gas appliances.

### NOTE

Because hard piping restricts movement of the appliance, use a CSA International-certified flexible metal appliance connector unless local codes require hard piping.

### WARNING

Follow the information in this manual exactly to avoid a fire or explosion, which may cause property damage and personal injury or death.

- Do not store or use gasoline or other flammable liquids near the appliance.
- IF YOU SMELL GAS:
  - DO NOT light a match, candle, or cigarette.
  - DO NOT try to light any appliance.
  - DO NOT touch any electrical switch.
  - DO NOT use any phone in your building.
  - Clear the room, building, or area of all occupants.
  - Immediately call your gas supplier from a neighbor's phone. Follow the gas supplier's instructions.
  - If you cannot reach your gas supplier, call the fire department.
- Installation and service must be performed by a qualified installer, service agency, or gas supplier.
- Be sure to install the included gas regulator with the appliance. Do not use the appliance without the regulator installed.
- Make sure the arrow on the regulator points toward the appliance.
- Do not overtighten gas connections and fittings.
- Before use, test the gas lines for leaks as instructed. Do not use a flame to check for leaks.



---

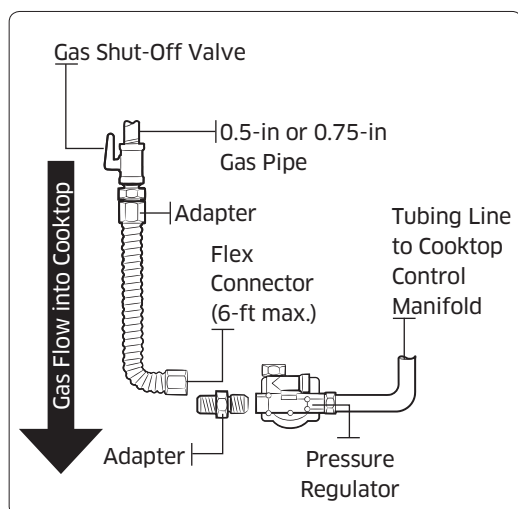
Never install an old connector on a new appliance. For hard piping, you need to carefully align the pipe; the appliance cannot be moved after the connection is made.

To prevent gas leaks, apply pipe-joint compound or wrap pipe-thread tape with Teflon on all male (external) pipe threads.

1. Attach the provided gas-pressure regulator to the rangetop pipe nipple inlet. (For tight installations, the regulator may be installed upstream from the nipple, anywhere between the shut-off valve and the rangetop. For best performance, minimize gas-pressure loss by attaching the regulator as close as possible to the gas inlet.)
2. Complete the connection by installing a flexible gas line between the pressure regulator and the shut-off valve.

### Flexible connector hookup

Installer: Inform the consumer of the location of the gas shut-off valve.



### NOTE

The gas shut-off valve should be installed on the gas piping, away from the appliance, in an easily accessible location for quick opening/closing.

# Installation instructions

---

## Checking for gas leaks

### **WARNING**

To prevent an explosion/fire hazard possibly leading to personal injury or death, DO NOT use a flame to check for gas leaks.

When using pressures above 1/2 psig to test the home gas-supply system, disconnect the appliance and individual shut-off valve from the gas-supply piping. When using pressures of 1/2 psig or less to test the gas-supply system, isolate the rangetop from the system by closing the individual shut-off valve.

1. When all connections have been made, make sure all rangetop controls are in the off position and turn on the main gas supply valve.
2. Use a liquid leak detector at all joints and connections to check for leaks in the system.
3. Tighten all connections if necessary to prevent gas leakage in the rangetop or supply line.

## Making the electrical connections

### **WARNING**

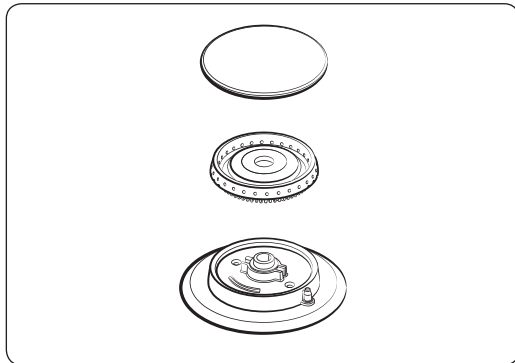
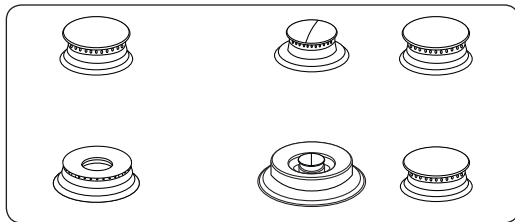
- Disconnect all electrical power at the main circuit breaker or fuse box before making any electrical connections.
  - BEFORE operating/testing, follow the grounding requirements on Page **30** of this manual. Improper connection of the grounding plug is an electric-shock risk.
  - All gas appliances come with a power cord connected to the rear of the rangetop chassis. (For details, see “Electrical requirements,” page **29**.)
  - The electrical system, including the power cord, is factory-installed/-wired. Altering any part of this system may cause a short or overload.
1. Plug in the power cord. (Ensure the outlet meets all applicable electrical codes. (For details, see Page **29**.)
  2. Check the gas-supply line to verify it was not damaged and remains connected after positioning.

---

## Assembling the rangetop burners

### CAUTION

- Do not operate the rangetop burners without all burner parts in place.
- Do not push in any rangetop controls while removing the burner; a slight electrical shock might result, perhaps causing you to knock over hot cookware.
- Do not risk electric shock by removing the top or touching the electrode of any burner while another burner is on.

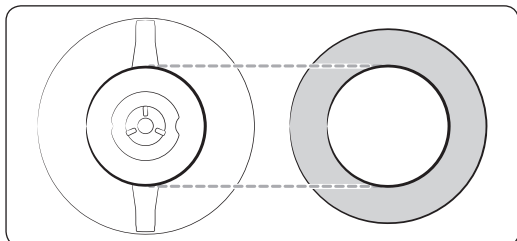
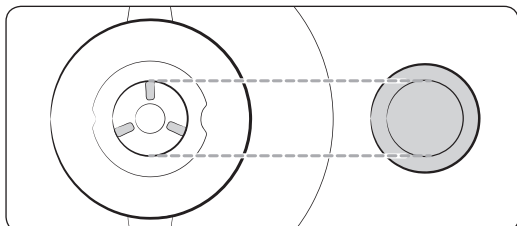
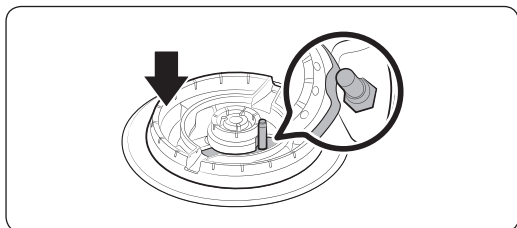
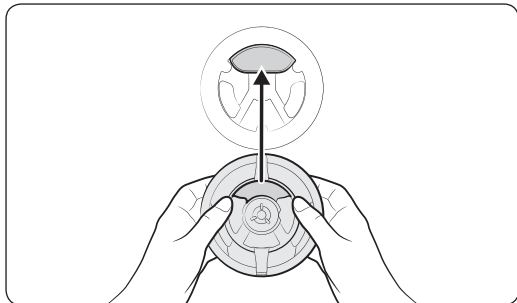


1. Place the burner heads on the burner bases as shown at left. (The electrodes fit in the slot in the bottom of the heads.) The heads should be flat and parallel to the rangetop.
2. Place the matching size caps on top of each rangetop burner head.

# Installation instructions

---

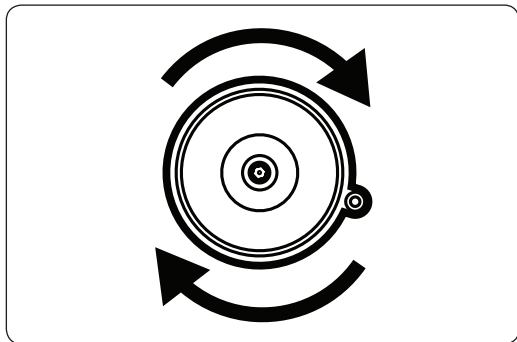
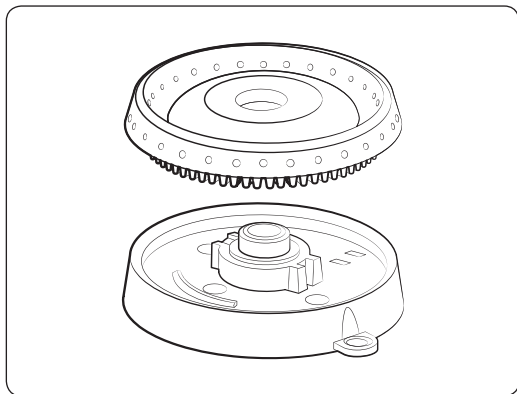
## Dual Burner head / caps



1. Orient the burner head so the opening for the electrode aligns with the electrode.
2. Install the burner head so the electrode passes through its opening in the head. Ensure the burner head lies flat on the stove top.
3. Match the burner caps to the burners by size, then install the caps on the heads.

---

## Round Burner head / caps



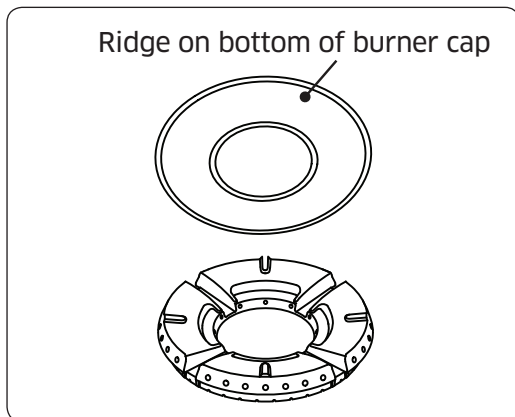
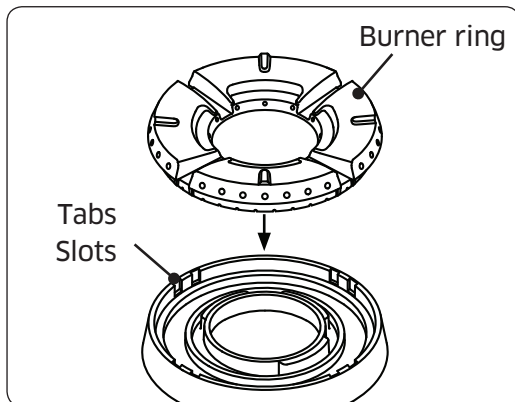
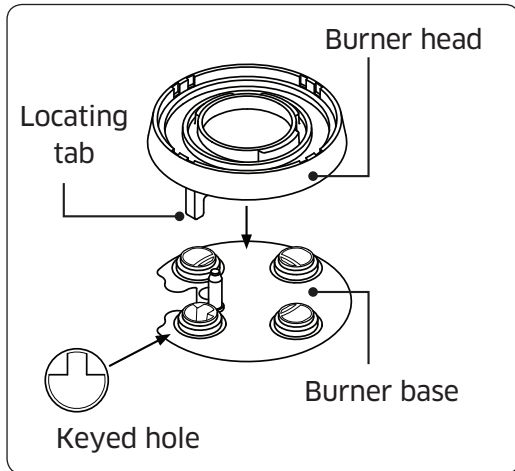
1. Put the burner heads on the burner bases as shown at left. The bottom of the head fits within the burner base.
2. Turn the head until it drops into place. Twist the head back and forth slightly to ensure it is properly seated.
3. Put the burner caps (brass or porcelain) atop the burner heads. The ridge around the bottom edge of the cap fits around the top of the burner head.

**⚠ CAUTION**

Ensure all burner components (heads and caps) rest flat and snugly in place.

# Installation instructions

## SimmerSear Burner Assembly (18K BTU Burner)



1. Put the burner heads in place as shown below. The locating tab on the burner head goes in the keyed hole as shown.
2. Put the burner rings on the burner heads as shown below. Match the tabs on the bottom of the ring to the slots on the burner head. Twist each ring back and forth slightly to make sure it is properly seated.
3. Put the burner caps on top of the burner rings. You may use either the supplied brass or porcelain caps. The ridge around the bottom edge of the cap goes around the top of the burner ring.

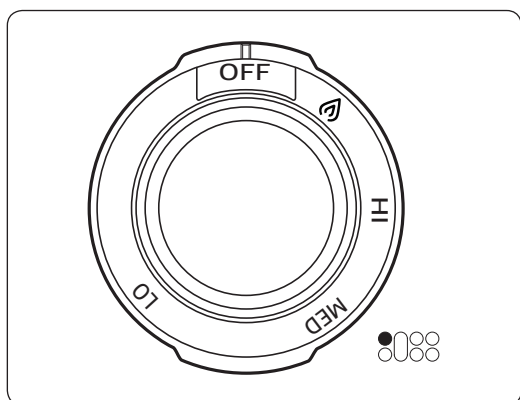
### **⚠ WARNING**

Be sure electrical power is off and all surfaces are cool before cleaning any part of the cooktop.

---

## Verifying burner function

After the cooktop is fully installed, connected, assembled, and plugged in, check the function of all burners.



### To turn on a cooktop burner

1. Push in, and turn a burner control knob to flame symbol. (A “clicking” sound indicates the electronic ignition system is functional. The burner ignites about 4 seconds later, after the air is purged from the gas line.)
2. After the burner ignites, turn the knob to the desired setting. (The “clicking” sound stops, and the flame height changes from HI to LO as you turn the knob counterclockwise.)
3. Repeat steps 1 and 2 to check the operation of each cooktop burner in succession.

### NOTE

- If the burner does not light within 4 seconds, turn the knob off and wait one minute before trying again.
- The griddle knob does not contain flame symbol. Turn clockwise to turn on the griddle.

# Installation instructions

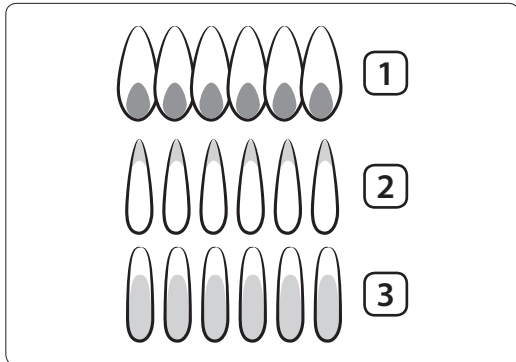
---

## Checking flame quality

All burner flames must be visually checked to assess their quality.

### CAUTION

If you want measure the flame, take care to avoid burn injuries.



1. **Soft blue flames**—Normal for natural gas operation.
2. **Yellow tips on outer cones**—Normal for LP gas operation.
3. **Yellow flames**—Abnormal for any gas operation; call for service.

### NOTE

If the burner flame looks like Example 3, call for service, and do not use the cooktop. Normal burner flames look like either Ex. 1 or 2.



---

## Installing the grates

### NOTE

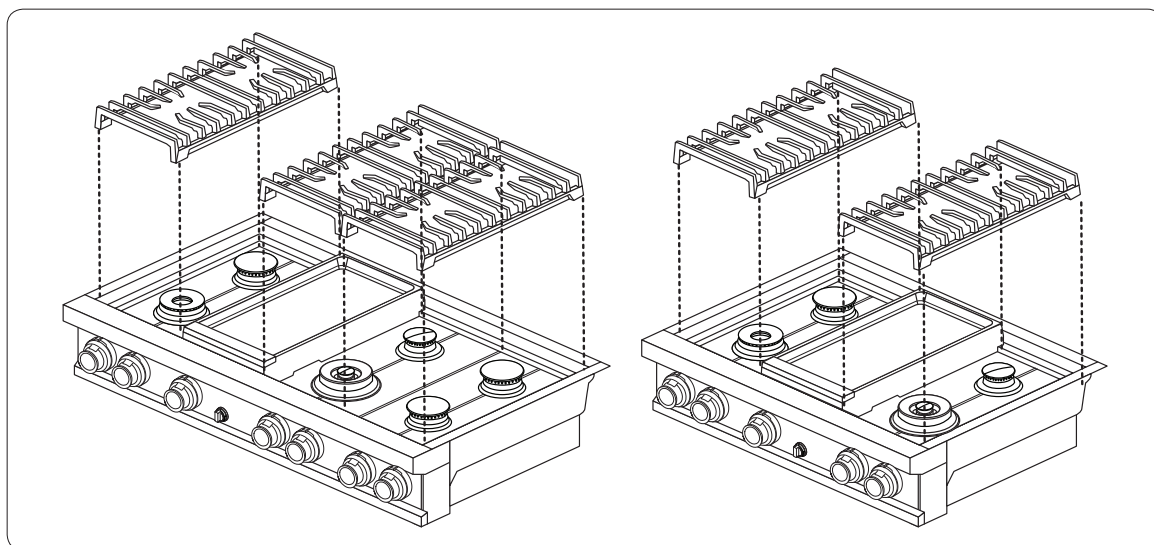
For best results and longest life, install the grates as instructed below. When installed properly, the openings in the grates are centered over the burners.

The grates occupy specific positions on the rangetop. For maximum stability and safe operation, these grates should only be used in their proper positions.

The back of the right grate is notched to help orient the grates correctly. (See the graphic below.)

To correctly position the grates:

1. Find the notch on the back of the right-hand grate, and orient the grate properly above the right-hand burners.
2. Gently lower the right-hand grate so its legs rest in the corresponding dimples on the cooktop.
3. Likewise place the remaining grates so their feet rest in the corresponding dimples.



### NOTE

Grates are not interchangeable. Each grate has own engraving under it. It tells you which the front side of grate is and proper position, left, center or right.

# Installation instructions

---

## Final installation checklist

### **WARNING**

- To ensure a safe, proper installation, the installer should complete this checklist to ensure the installation was proper and complete.
- The owner shall be responsible for the rangetop's proper installation, the importance of which cannot be overstated.

**After installing the rangetop**, ensure all control knobs are OFF. Review this checklist to confirm the rangetop is properly installed and ready to operate.

- The gas line was properly connected to the rangetop.
- The gas was turned on.
- All connections were checked for leaks.
- The rangetop is properly plugged in to a grounded electrical outlet.
- The rangetop burners and grates are properly assembled.
- All burners were tested and are functioning properly.

### **NOTE**

For later use, keep the serial-number label (on the right side of the product) in the user manual or other place suitable to the owner.



DG68-00942A-00 

***dacor***<sup>®</sup>