

dacor

User Manual

Rangetop

DTT48*960**/DTT36*960**



DG68-01474A-01

⚠ WARNING

Never Operate the Top Surface Cooking Section of this Appliance Unattended

- Failure to follow this warning statement could result in fire, explosion, or burn hazard that could cause property damage, personal injury, or death.
- If a fire should occur, keep away from the appliance and immediately call your fire department.

DO NOT ATTEMPT TO EXTINGUISH AN OIL / GREASE FIRE WITH WATER.

WARNING : If the information in this manual is not followed exactly, a fire or explosion may result causing property damage, personal injury or death.

- **DO NOT** store or use gasoline or other flammable vapors and liquids in the vicinity of this or any other appliance.
- **WHAT TO DO IF YOU SMELL GAS**
 - **DO NOT** try to light any appliance.
 - **DO NOT** touch any electrical switch.
 - **DO NOT** use any phone in your building.
 - Immediately call your gas supplier from a neighbor's phone. Follow the gas supplier's instructions.
 - If you cannot reach your gas supplier, call the fire department.
- Installation and service must be performed by a qualified installer, service agency or the gas supplier.

Regulatory Notice

1. Radio Apparatus Notice

CAUTION

Any changes or modifications not expressly approved by the party responsible for compliance could void the user's authority to operate the equipment.

The remote enable equipment installed on this product complies with Part 15 of FCC Rules and Innovation, Science and Economic Development Canada's license-exempt RSS(s). Operation is Subject to following two conditions:

- 1) This equipment may not cause harmful interference, and
- 2) This equipment must accept any interference received including interference that cause undesired operation.

For products available in the US/Canadian markets, only channels 1~11 are available. You cannot select any other channels.

1. Radio Apparatus STATEMENT:

This equipment has been tested and found to comply within the limits for a Class B digital device, pursuant to part 15 of the FCC Rules and Canadian ICES-003. These limits are designed to provide reasonable protection against harmful interference in a residential installation.

This equipment generates, uses, and can radiate radio frequency energy and, if not installed and used in accordance with the instructions, may cause harmful interference to radio communications. However, there is no guarantee that interference will not occur in a particular installation. If this equipment does cause harmful interference to radio or television reception, which can be determined by turning the equipment off and on, the user is encouraged to try to correct the interference by one or more of the following measures:

Regulatory Notice

- Reorienting or relocating the receiving antenna
- Increasing the separation between the equipment and receiver
- Connecting the equipment to an outlet that is on a different circuit than the radio or TV
- Consulting the dealer or an experienced radio/TV technician for help.

RADIATION EXPOSURE STATEMENT:

This equipment complies with FCC and IC RSS-102 radiation exposure limits set forth for an uncontrolled environment. This equipment should be installed and operated so there is at least 8 inches (20 cm) between the radiator and your body. This device and its antenna(s) must not be co-located or operated in conjunction with any other antenna or transmitter.



To Our Valued Customer:

Congratulations on your purchase of the very latest in Dacor products! Our unique combination of features, style and performance make us a great addition to your home.

In order to familiarize yourself with the controls, functions and full potential of your new Dacor Appliance, read this use and care manual thoroughly, beginning with the **Before you begin** section.

All Dacor appliances are designed and manufactured with quality and pride, while working within the framework of our company value. Should you ever experience a problem with your product, please first check the Troubleshooting section of this manual for guidance. It provides useful suggestions and remedies prior to calling for service.

Valuable customer input helps us to continuously improve our products and services, so please feel free to contact our Customer Service Team for assistance with any of your product support needs.

Dacor Customer Assurance

- **USA**
Samsung Electronics America, Inc.
85 Challenger Road
Ridgefield Park, NJ 07660
- **Canada**
Samsung Electronics Canada Inc.
2050 Derry Road West, Mississauga,
Ontario L5N 0B9 Canada

Telephone: 833-353-5483(USA), 844-509-4659(Canada)

Hours of Operation: Mon - Fri, 8:00 a.m. to 8:00 p.m. Pacific Time

Website: www.dacor.com

Thank you for choosing Dacor for your home. We are a company built by families for families, and we are dedicated to serving yours. We are confident that your new Dacor product will deliver a high level of performance and enjoyment for many years to come.

Sincerely,

The Dacor Customer Assurance Team

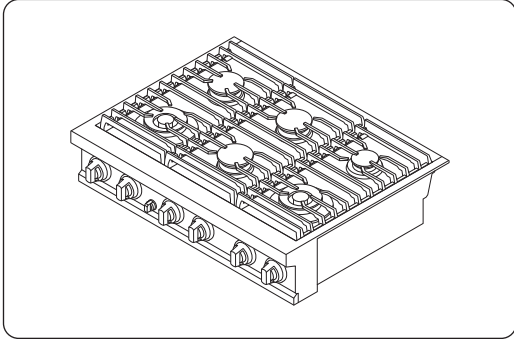
Contents

Before you begin	8
Important	8
About this manual	8
Important note to the installer	8
Important note to the consumer	9
Important note to the servicer	9
Important safety instructions	10
Read all instructions before using this appliance	10
Symbols used in this manual	10
California Proposition 65 Warning	10
Commonwealth of Massachusetts	10
General safety	11
Fire safety	12
Gas safety	13
Electrical and grounding safety	14
Installation safety	15
Location safety	16
Rangetop safety	17
Usage in high altitude area	18
Overview	19
Layout	19
What's included	20
Using the Rangetop	21
Burners	21
Special rangetop features	22
Ignition	23
Cookware	25
Grates	27
Griddle (Additional purchase Accessories)	28
Wok Ring	29
Using the Smart Connect feature	30
Using the hood control feature	32

Care and maintenance	34
Cleaning the rangetop surface	34
Stainless steel surfaces	35
Control knobs	36
Burner grates and components	37
Burner caps and heads	38
Burner bases	39
Electrodes	39
Grates and Wok Ring	40
Burner head and cap replacement	40
Troubleshooting	43
Checkpoints	43
Warranty and Service	45
Warranty	45
Appendix	48
Model name & serial number	48
Open Source Announcement	49

Before you begin

Important



- The overall design and/or accessories may differ with the model.

Installer

- To promote safety and minimize problems, read this manual thoroughly before starting the installation. Leave this manual with the user.
- Write the appliance's model/serial numbers in this manual for service/maintenance reference.

User

- Keep this manual for personal reference and for that of inspectors, service personnel, etc.

About this manual

READ THESE INSTRUCTIONS COMPLETELY AND CAREFULLY.

Important note to the installer

- Read all instructions contained in these installation instructions before installing the appliance.
- Remove all packing materials from the appliance compartments before connecting the electric and gas supply to the appliance.
- Observe all governing codes and ordinances.
- Be sure to leave these instructions with the consumer.
- Installation of this appliance requires basic mechanical skills.
- Proper installation is the responsibility of the installer.
- Product failure due to improper installation is not covered under the Warranty.

Important note to the consumer

Keep these instructions with your user manual for future reference.

- As when using any appliance generating heat, there are certain safety precautions you should follow.
- Be sure your appliance is installed and grounded properly by a qualified installer or service technician.
- Make sure the wall coverings around the rangetop can withstand the heat generated by the appliance.
- Cabinet storage space above the rangetop burners should be a minimum of 30 in (76.2 cm).

Important note to the servicer

The electrical diagram is attached inside the burner box.

Important safety instructions

Read all instructions before using this appliance

- All electrical and gas equipment with moving parts can be dangerous. Be sure to read the Important Safety Information in this manual. The instructions must be followed to minimize the risk of property damage, injury, or death.
- Keep this manual in a handy place so you can refer to it as needed.

Symbols used in this manual

WARNING

Hazards or unsafe practices that may result in severe personal injury or death.

CAUTION

Hazards or unsafe practices that may result in electric shock, personal injury, or property damage.

NOTE

Useful tips and instructions

These warning icons and symbols are intended to prevent property damage and personal injury. Follow them explicitly.

California Proposition 65 Warning

WARNING

Cancer and Reproductive Harm - www.P65Warnings.ca.gov

Commonwealth of Massachusetts

This product must be installed by a licensed plumber or gas fitter qualified or licensed by the State of Massachusetts. When using ball-type gas shut-off valves, you must use the T-handle type. Multiple flexible gas lines must not be connected in series.

General safety

WARNING

To reduce the risk of fire, electric shock, personal injuries, and/or death, observe the following precautions.

- **Do not touch** any surface, component, or mechanism of the appliance during or immediately after cooking.
- **Learn** where and how to shut off the valve that feeds gas to the appliance.
- **Do not let children near** the appliance. Do not let children play with the appliance or any part(s) of the appliance. Do not leave children unattended in the kitchen when the appliance is in use. For children's safety, we recommend utilizing the control/door lockout feature.
- **Remove** all packaging before operating the appliance to keep this material from catching fire. Keep all packaging away from children. Properly dispose of packaging as soon as the rangetop is unpacked.
- **Do not keep** objects of interest to children on or around the appliance.
- **Do not operate** the rangetop if it is damaged in any way, if it malfunctions, or is missing parts.
- **Do not use** the rangetop as a space heater. Use the rangetop for cooking only.
- **Use** only dry pot holders.
- **Do not use** the appliance to heat sealed food containers. Do not use the appliance to heat sealed food containers.
- When disposing of the appliance, **cut off** the power cord to prevent children and animals from getting trapped.
- **Unplug** the appliance before service/maintenance.
- **Make sure** all meat and poultry is cooked thoroughly. Meat should always be cooked to an internal temperature of 160 °F (71 °C). Poultry should always be cooked to an internal temperature of 180 °F (82 °C).
- Keep the appliance area clear and free of combustible materials, gasoline, and other flammable vapors and liquids.
- **Teach** children not to touch or play with the controls or any part of the appliance.
- An air curtain or other overhead range hood, which operates by blowing a downward airflow onto a range, shall not be used in conjunction with a gas range unless the hood and range have been designed and tested in accordance with the Standard for Domestic Gas Ranges, ANSI Z21.1 • CSA1.1, and listed by an independent testing laboratory for combination use.

WARNING

NEVER use this appliance as a space heater to heat or warm the room. Doing so may result in carbon monoxide poisoning and overheating of the oven.

Important safety instructions

Fire safety

WARNING

To reduce the risk of fire, electric shock, personal injury, or death, observe these precautions:

- **Do not store/place/use** combustible materials (e.g., paper, plastic, pot holders, linens, gasoline, alcohol) near the appliance.
- **Do not wear** loose fitting or hanging garments while using the appliance.
- To avoid grease buildup, **regularly clean** the vents.
- **Do not let** pot holders or other flammable materials touch a heating element. Do not use a towel or other bulky cloth in place of a pot holder.
- **Do not douse** a grease fire with water. Instead, turn off the heat source, and smother the fire with a tight-fitting lid, or use a multi-purpose, dry-chemical or foam extinguisher.
- **Do not heat** unopened food containers. The buildup of pressure may cause the containers to burst and result in injury.
- **Do not** leave items such as paper, cooking utensils or food on the appliance when not in use. Items on the appliance can ignite.
- **Do not put** any combustible material or items around the appliance.

Gas safety

⚠ WARNING

To reduce the risk of fire, electric shock, personal injury, or death, observe these precautions:

If you smell gas:

- Close the valve and do not use the appliance.
- Do not light a match, candle, or cigarette.
- Do not turn on any gas or electric appliances.
- Do not touch any electrical switches or plug in a power cord.
- Do not use any phone in your building.
- Evacuate everyone from the building.
- Immediately call your gas supplier from a neighbor's phone. Follow the gas supplier's instructions.
- If you cannot reach your gas supplier, call the fire department.

Checking for gas leaks

- Leak-testing the appliance must be done according to the manufacturer's instructions. Do not use a flame to check for gas leaks. Use a brush to spread a soap-and-water solution around the area you are checking. If there is a gas leak, small bubbles will appear in the solution.

Important safety instructions

Electrical and grounding safety

WARNING

To reduce the risk of fire, electric shock, personal injury, or death, observe these precautions:

- Plug the appliance into a grounded 3-prong outlet.
- **Do not remove** the ground prong.
- **Do not use** an adapter or an extension cord.
- **Do not use** a damaged power plug, power cord, or loose power outlet.
- **Do not modify** the power plug, cord, or outlet.
- **Do not put** a fuse in a neutral or ground circuit.
- Use a dedicated 120-volt, 60-Hz, 20-amp, AC, fused electrical circuit for this appliance. A time-delay fuse or circuit breaker is recommended. Do not plug more than one appliance into this circuit.
- **Do not connect** the ground wire to plastic plumbing lines, gas lines, or hot water pipes.
- This appliance **must be Earth grounded**. If the appliance malfunctions or breaks down, grounding reduces the risk of electric shock by providing a safe path for the current. This appliance's power cord has a grounding plug, which must be firmly plugged into an outlet that is properly installed and grounded according to local regulations. If you are not sure your electrical outlet is properly grounded, have it checked by a licensed electrician.
- The appliance is supplied with a 3-pronged grounded plug. This cord must be plugged into a mating, grounded 3-prong outlet that meets all local codes and ordinances. If codes permit the use of a separate ground wire, we recommend that a qualified electrician determine the proper path for this ground wire.
- Electrical service to the rangetop must conform to local codes. Barring local codes, it should meet the latest ANSI/NFPA No. 70 - Latest Revision (for the U.S.) or the Canadian Electrical Code CSA C22.1 - Latest Revisions.
- The appliance owner shall ensure that the proper electrical service is provided for the appliance.

Installation safety

⚠ WARNING

To reduce the risk of fire, electric shock, personal injury, or death, observe these precautions:

- The appliance should be installed and properly grounded by a qualified installer, as specified in the Installation Instructions. Adjustments and service should be performed only by qualified installer or service technician.
- **Do not try** to service/modify/replace the appliance or any part of it unless specifically recommended in this manual. All other service should be performed by a qualified technician.
- Use only new, flexible connectors when installing the appliance.
- Due to the size and weight of the appliance, have **two or more people** move the appliance.
- **Remove** all tape and packaging materials.
- After unpacking the appliance, remove all accessories from inside and around it. (Cautiously handle the heavy grates and griddles.)
- **Make sure** no parts came loose during shipping.
- **Make sure** your rangetop is correctly installed / adjusted by a qualified service technician or installer for the type of gas (natural or LP) you will use.
- Installation of this appliance must conform with local codes or, in the absence of local codes, with the National Fuel Gas Code, ANSI Z223.1/NFPA.54, latest edition. In Canada, installation must conform with the current Natural Gas Installation Code, CAN/CGA-B149.1, or the current Propane Installation Code, CAN/CGA-B149.2, and with local codes where applicable. This rangetop has been design-certified by ETL according to ANSI Z21.1, latest edition, and Canadian Gas Association according to CAN/CGA-1.1, latest edition.

Important safety instructions

Location safety

WARNING

To reduce the risk of fire, electric shock, personal injuries, and/or death, observe the following precautions.

- This appliance is for indoor, household use only. **Do not install** the appliance outdoors or anywhere that it will be exposed to weather/water or wind/strong drafts.
- **Do not install** the appliance in a place which is exposed to a strong draft.
- Select a level, well-constructed floor that can support the appliance's weight. Synthetic flooring, such as linoleum, must withstand 180 °F (82 °C) temperatures without shrinking, warping, or discoloring. **Do not install** the appliance directly over interior kitchen carpeting unless a sheet of ¼ inch plywood or a similar insulator is placed between the appliance and carpeting.
- Select a location where a grounded, 3-prong outlet is easily accessible.
- If the appliance is located near a window, **do not hang** long curtains or paper blinds on that window.
- For the appliance to ventilate properly, make sure the appliance's vents are not blocked, and that there is enough clearance at the top, back, sides, and underneath the appliance. The vents allow the necessary exhaust for the appliance to operate properly with correct combustion.
- **Make sure** the wall coverings around the appliance can withstand heat up to 200 °F (93 °C) generated by the appliance.
- Cabinet storage above the surface of the appliance should be avoided. If cabinet storage above the appliance is necessary, allow a minimum clearance of 30 inches (76.2 cm) between the cooking surface and the bottom of the cabinets or install a range hood that projects horizontally a minimum of 5 inches (12.7 cm) beyond the bottom of the cabinets.
- **Locate** the appliance out of kitchen traffic paths and drafty locations to prevent poor air circulation.
- If the appliance is located near a window, **NEVER** hang long curtains or paper blinds on that window. They could blow over the surface burners and ignite, causing a fire hazard.

Rangetop safety

WARNING

To reduce the risk of fire, electric shock, personal injury, or death, observe these precautions:

- **Make sure** all burners are off when not in use.
- **Do not use** aluminium foil to line the grates or any part of the rangetop. This can cause carbon monoxide poisoning. Aluminum foil linings may also trap heat, causing a fire hazard. **Do not leave** burners unattended on medium or high heat settings.
- Before igniting, make sure all burner caps are properly in place and all burners are level.
- **Always use** the LITE position when igniting the burners and make sure the burners have ignited. If ignition fails, turn the knob to Off and wait until the gas has dissipated.
- When you set a burner to simmer, **do not turn** the knob quickly. Make sure the flame stays on.
- This appliance is designed for use with a wok or wok ring attachment.
- To flame food, you must have a ventilation hood. When you flame food, the hood must be on.
- Before removing or changing cookware, turn off the burners.
- Remove food and cookware immediately after cooking.
- Before removing any parts of the burner for cleaning, make sure the rangetop is off and completely cool.
- After cleaning the burner spreader, make sure it is completely dry before re-assembling.
- **Make sure** the spark mark on the dual burner spreader is placed beside the electrode when it is assembled.
- To avoid carbon monoxide poisoning, do not pour water into the rangetop well while cleaning.
- Select cookware that is designed for rangetop cooking. Use cookware that is large enough to cover the burner grates. Adjust the burner flames so that the flames do not extend beyond the bottom of the cookware.
- To avoid cookware discoloration, deformity, and/or carbon monoxide poisoning, do not use cookware that is substantially larger than the grate.
- Make sure cookware handles are turned to the side or rear of the rangetop, but not over other surface burners.
- Stand away from the rangetop while frying.
- Always heat frying oils slowly, and watch as they heat. If you are frying foods at high heat, carefully watch during the cooking process. If you are going to use a combination of fats or oils when frying, mix them together before heating.

Important safety instructions

- Use a deep-fryer thermometer whenever possible. This prevents overheating the fryer beyond the smoking point.
- Use a minimum amount of oil when shallow pan-frying or deep-frying. Avoid cooking unfrozen food or food with excessive amounts of ice.
- Before moving cookware full of fats or oils, make sure it has completely cooled.
- To prevent delayed eruptive boiling, always allow heated liquids to stand at least 20 seconds after you have turned off the burner so that the temperature in the liquid can stabilize. In the event of scalding, follow these first aid instructions:
 1. Immerse the scalded area in cool or lukewarm water for at least 10 minutes.
 2. Do not apply any creams, oils, or lotions.
 3. Cover with a clean, dry cloth.
- **Do not wear** loose or hanging garments when using the appliance. They could ignite and burn you if they touch a surface burner.
- **Never leave** plastic items on the appliance. Hot air from the vent can melt or ignite plastic items or cause a build up of dangerous pressure in closed plastic containers.
- **Do not place** portable appliances, or any other object other than cookware on the appliance. Damage or fire could occur if the appliance is hot.
- **Always make sure** foods being fried are thawed and dry. Moisture of any kind can cause hot fat to bubble up and over the sides of the pan.
- **Always make sure** the controls are Off and the grates are cool before you remove them to prevent any possibility of being burned.
- **Do not put** any combustible material or items around the appliance.
- **Take care** that your hands do not touch the burners when they are on. Turn off the burners when you change a pan or pot.
- To warm liquid such as sauces, stir it while warming.

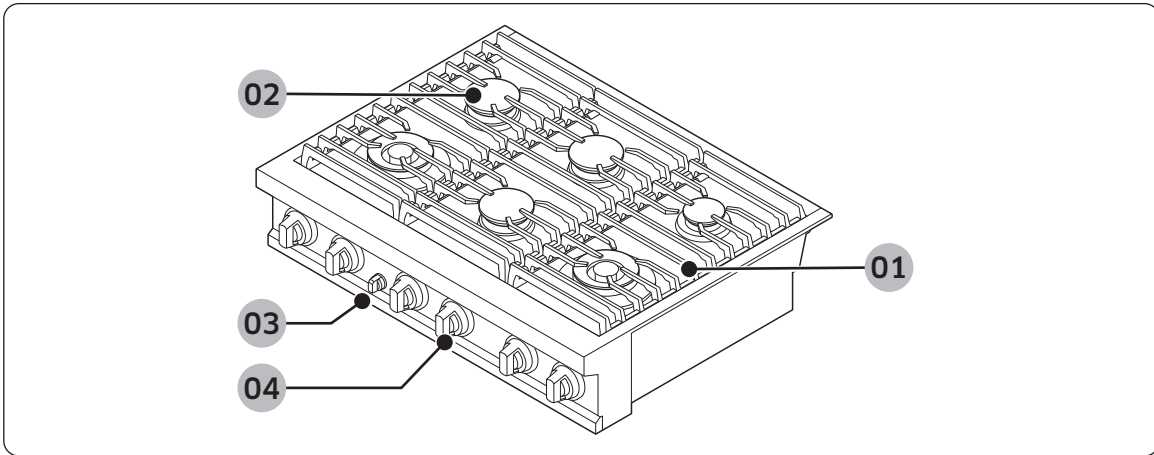
Usage in high altitude area

- This appliance has been tested for operation up to an altitude of 7,800 ft elevation above sea level.
- If desired, for altitudes above 2,000 ft elevation above sea level, adjustments can be made to the cooktop burners for low flame settings. If flame performance is satisfactory, adjustment will not be required.
- See the LP conversion instruction for information about adjustment for low flame settings.
- * However, 36" Models (Rangetop and Pro-Range) should not be used in high altitude environments.

Overview

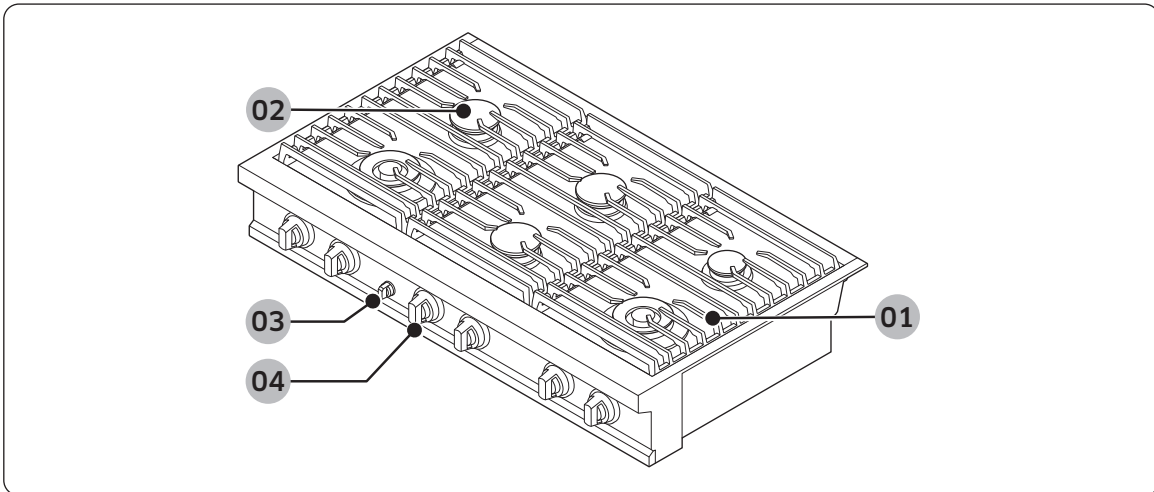
Layout

36" Model: DTT36*960**



01 Grate	02 Surface burners
03 Knob (Shower lighting)	04 Surface burner knobs (6 pcs)

48" Model: DTT48*960**

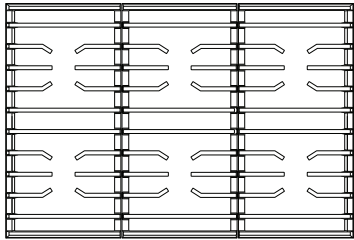


01 Grate	02 Surface burners
03 Knob (Shower lighting)	04 Surface burner knobs (6 pcs)

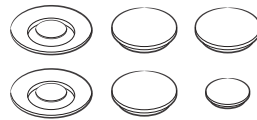
Overview

What's included

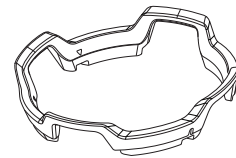
Parts list - DTT36*960**



Grate (3)

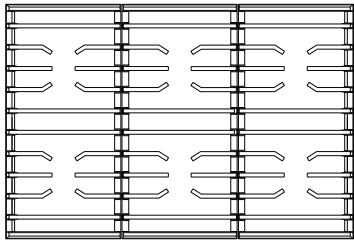


Burner heads (6) and
Burner caps* (8)

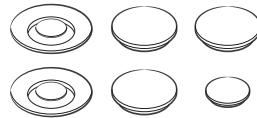


Wok Ring

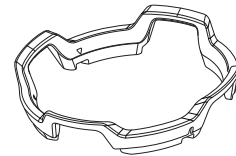
Parts list - DTT48*960**



Grate (3)



Burner heads (6) and
Burner caps* (8)



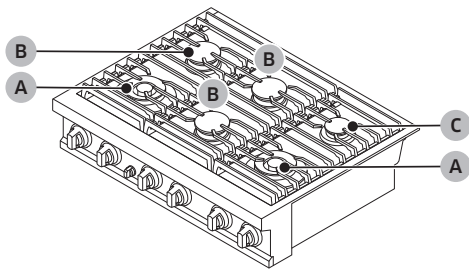
Wok Ring

The rangetop is supplied with two different types of burner caps (brass and porcelain) to suit the customer's preference.

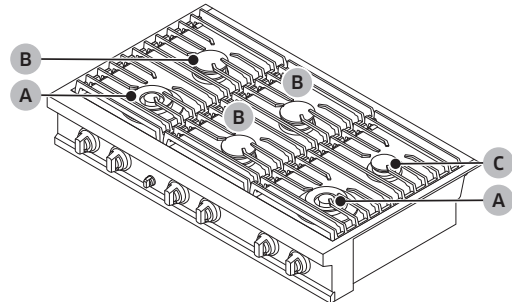
Using the Rangetop

Burners

There are three different types of burners on your rangetop. See the diagram below for heat output and location. The rangetop generates a spark to light the burner when you turn the knob to HIGH. The Gaskets under the burners prevent spilled liquids from leaking into the rangetop's internal parts. The rangetop comes with two sets of burner caps, brass and porcelain (black), to suit your taste.



DTT36*960**



DTT48*960**

A	22K BTU Dual burner
B	16K BTU Stack dual burner
C	9K BTU Stack dual burner

Using the Rangetop

Each burner is designed for specific cooking purpose as below table.

Burner	Position	Purpose	Food type
Dual burner	Right Front (RF)	Power heating/ Low simmering	Boiling food, Tomato sauce
	Left Front (LF)		
Stack dual burner	Left Rear (LR), Center Front (CF), Right Rear (RR), Center Rear (CR).	General heating/ Low simmering	General food, Casseroles

Special rangetop features

Perma-Flame™

The Perma-Flame instant re-ignition feature automatically re-lights a burner quickly if it goes out. With Perma-Flame, your cooking experience is uninterrupted because the flame is re-ignited at the same level as when it went out.

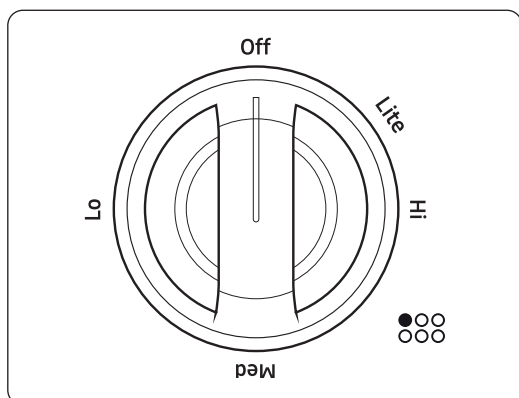
Smart Flame™

Smart Flame technology reduces the temperature under the fingers of the porcelain-coated cast iron grates. Smart-Flame extends grate life and protects the finish.

SimmerSear™

Dacor's exclusive precision burner control system. It allows you to cook with a wide rangetop of heat settings, from simmer to sear.

Ignition



Each knob for surface burner has its corresponding burner. The location of corresponding burner is marked next to the knob.

To light a burner, follow below steps.

1. Push in the knob and turn it counter clockwise to the Lite position. The igniter for the burner will Spark repeatedly until it lights. The spark makes a “clicking” sound. The burner should light within four seconds. The flame should burn evenly around the perimeter of the burner, except underneath each grate support finger, where the flame height is reduced by Dacor’s Smart Flame feature. A normal flame is steady and blue in color. Foreign material in the gas line, especially in new construction, may cause an orange flame during initial operation. This will disappear with further use. Small yellow tips on the ends of the flames are normal when using LP gas. If a burner does not ignite, the igniter continues to spark or if the flame is not spread evenly around the burner cap, see the **Troubleshooting** section on page 43.
2. Place the cooking utensil on the grate.
3. Adjust the flame to the level necessary to perform the desired cooking process.

NOTE

When a burner knob is set to LO, the igniter may continue to spark if the burner is cold. The burner will stop sparking when warm. To reduce cold burner sparking, set the knob to HIGH for about 60 seconds, then right the flame to cook. The igniter will also spark automatically if the flame is distorted by a draft or by the household ventilation system. Eliminate any drafts or reduce the ventilation blower speed to reduce this type of problem.

Using the Rangetop

Tips

- Food cooks just as quickly at a gentle boil as it does at a vigorous, rolling boil. Maintaining a higher boil than necessary wastes energy and cooks moisture, food flavor and nutrients out of the food.
- Use a low or medium flame when cooking with utensils that are poor conductors of heat, such as glass, ceramic or cast iron. Reduce the flame until it covers approximately 1/3 of the utensil diameter. Doing so will ensure even heating and reduce the likelihood of burning or scorching the food.

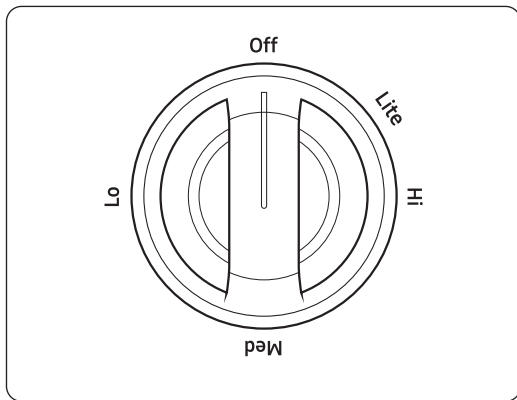
Manual ignition

If there is a power failure, you can ignite the burner manually. Use caution when doing this.

1. Hold a long gas grill lighter to the surface burner you want to light.
2. Push in the control knob for that burner, and then turn it to the Lite position. Turn on the grill lighter to ignite the burner.
3. After the burner is lit, turn the control knob to adjust the flame level.

Flame level

The flames on the burners should always stay under the cookware, and should not extend beyond the cookware bottom at any time.



Before using burner knobs...

To prevent accidental growth or diminishing in flame size, each burner knob only can be operated by push-turn method.

Also, it has stop points so that the user can feel different stop points when turning the knob. When the user encounters stop points, user should push-turn method again to turn the knob. The knob can be turned only if the user intends to change flame size.

Cookware

⚠ WARNING

- Cookware with rough bottoms can cause permanent damage to the coated surfaces.
- To avoid burns and scalding, always turn pan handles to a position where they cannot be easily hit. Also, handles should not extend over adjacent burners. Always set cookware gently onto the grates and center them so that they are well-balanced.
- Do not drag cookware across the grates. Sliding may damage the finish. Lift cookware to reposition them. Do not drop them on the grate.
- To avoid burns or fire hazard, reduce the flame level if it extends beyond the bottom of the cookware. A flame that extends up the sides of the cookware is potentially dangerous.
- When using glass cookware, make sure it is designed for rangetop cooking.
- Never leave plastic items on the rangetop. Hot air from the vent can melt or ignite plastic items or cause a building up of dangerous pressure in closed plastic containers.
- Make sure you hold the handle of a wok or a small one-handed pot while cooking.

For overall safety and best performance, select the correct cooking utensil for the food being cooked. Improperly selected cooking utensils will not cook evenly or efficiently.

Use cookware that:

- Has flat, smooth bottoms and is well balanced
- Has tight fitting lids to keep heat, odors and steam in
- Well-balanced with the handle weighing less than the main portion of the pot or pan.

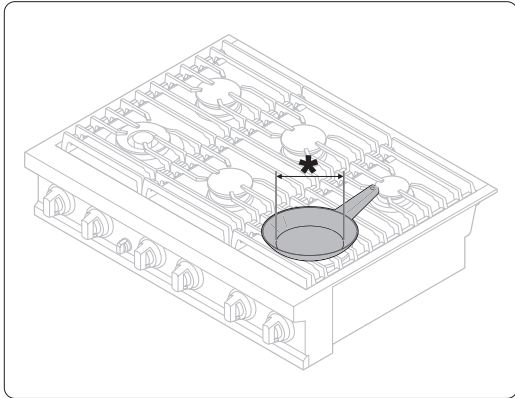


Using the Rangetop

Material characteristics

- **Aluminum:** An excellent heat conductor. Some types of food may cause the aluminum to darken. However, anodized aluminum cookware resists staining and pitting.
- **Copper:** An excellent heat conductor but discolors easily.
- **Stainless steel:** A slow heat conductor with uneven cooking performance but is durable, easy to clean, and resists staining.
- **Cast-Iron:** A poor conductor but retains heat very well.
- **Enamelware:** Heating characteristics depend on the base material.
- **Glass:** A slow heat conductor. Use only glass cookware that is specified for rangetop cooking or oven use.

Size limitations



⚠ WARNING

Do not place a small pan or pot with a bottom diameter of about 6 inches or less on the center grate. This cookware may tip over. Use the rear burners for this small sized cookware.

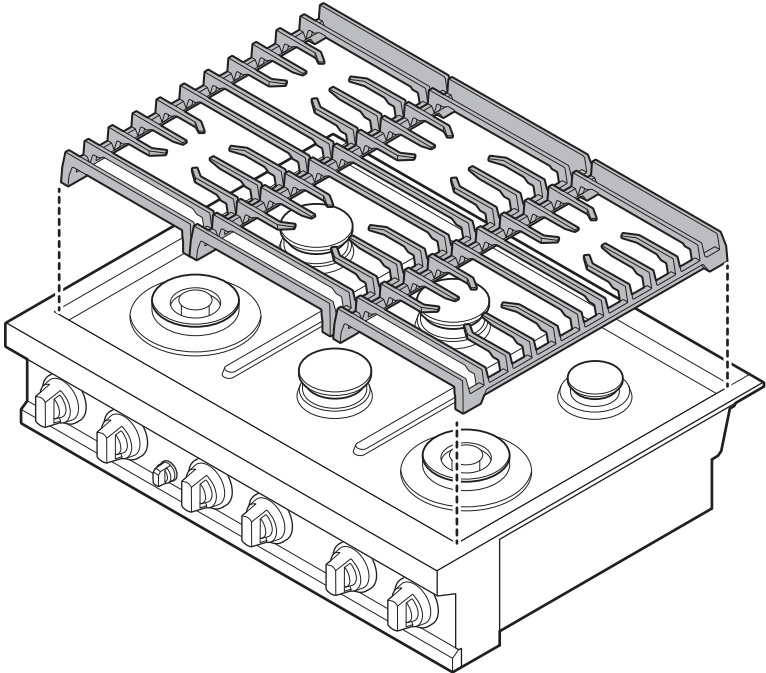
* 6 inches or less

Grates

Gently set the grates on the top of the spill tray. Put the legs of each grate into the corresponding dimples.

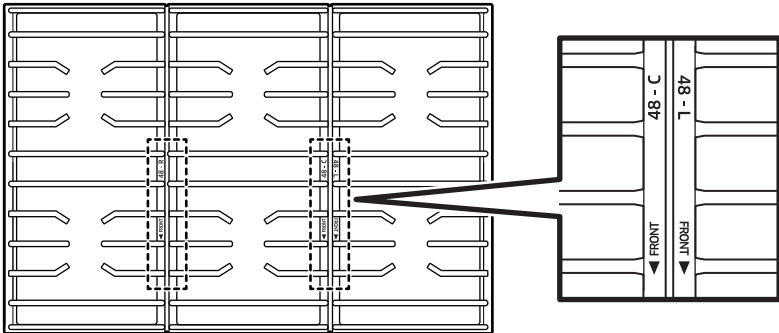
NOTE

The grates are heavy. Be careful handling the grates.



NOTE

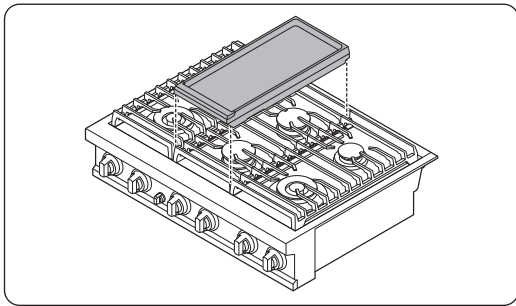
Before installing grates, please check the words under the grates. The words inform you where the front side is and the proper position of grate, right, center or left.



Using the Rangetop

Griddle (Additional purchase Accessories)

- Before using the griddle for the first time, wash it in hot, soapy water. then rinse and let it dry fully.
- For best results, preheat the griddle for 3-5 minutes.
- Orient the griddle's grease trap at the rear of the rangetop.



1. With all burners off and the rangetop cool to the touch, place the griddle and grate in the center of rangetop.
 - The specified burners are the same size, which ensures even cooking front and rear.
 - Fit the tabs on the bottom of the feet into the inside corners of the grate. Slight rocking is normal.
2. Push and turn the center burners knob to the ignite (flame) setting. The burner ignites.

CAUTION

Avoid using metal utensils on the surface because they can scratch the non-stick coating.

NOTE

Clean the griddle after each use.

The information for preheating is as below table.

Type of Food	Preheating time	Preheat setting	Cook setting
Pancakes	3-5 min.	MED-LO	MED-LO
Hamburgers	3-5 min.	MED-HI	MED-HI
Fried Eggs	3-5 min.	MED-LO	MED-LO
Bacon	3-5 min.	MED	MED
Breakfast Sausages	3-5 min.	MED	MED

CAUTION

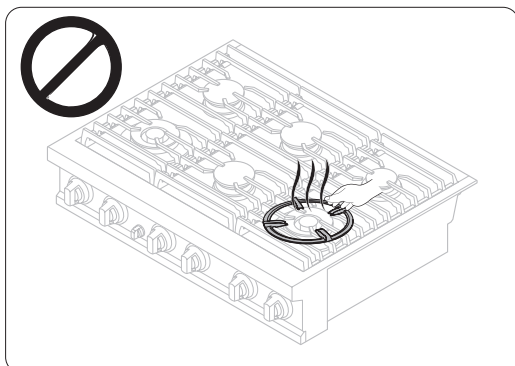
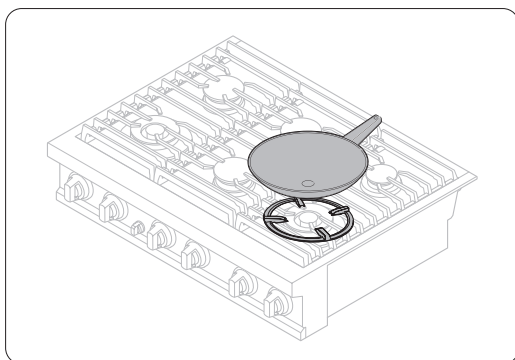
- Do not remove the griddle until the rangetop grates, surfaces, and griddle itself cool down.
- The griddle may become very hot when you use the rangetop.
- Do not overheat the griddle. This can damage the coating of the griddle.
- Do not use metal utensils that can damage the griddle surface.
- Do not use the griddle for other purposes, for example, as a cutting board or a storage shelf.
- Do not cook excessively greasy foods. The grease may spill over.
- The griddle is quite heavy. Use both hands when placing or removing the griddle.

NOTE

- You may need to adjust heat settings for the griddle over time.
- The griddle may discolor over time as it becomes seasoned with use.
- Do not let rust remain on the griddle. If rust appears on the griddle, remove it as soon as possible.

Wok Ring

Woks are often used for stir frying, pan frying, deep frying, and poaching. The provided grate supports 12" to 14" woks.



1. Turn off all burners, and wait until the grates completely cool down.
2. Place the wok ring on the grate over the Right front burner. (Right front burner is 22K BTU)
3. Put a wok on the grate. Make sure the wok settles on the grate.
4. Turn on the burner, and adjust the flame level as appropriate.

⚠ CAUTION

- Do not remove the wok ring until the rangetop grates, surfaces, and wok ring completely cool down.
- When you use the wok with the rangetop or oven, the wok ring on the rangetop may become very hot. Use oven gloves when placing or removing the wok ring.
- Do not use cookware with a flat bottom or with a diameter less than the wok ring diameter. The cookware may tip over.
- Do not use an oversized wok. The burner flames may spread out, causing damage nearby.
- Do not use the wok ring and the griddle at the same time.
- This appliance is not designed to flame foods or cook with a wok ring attachment. If foods are flamed, they should only be flamed under a ventilation hood that is on.

Using the Rangetop

Using the Smart Connect feature

The rangetop has a built-in Wi-Fi module that you can use to sync the rangetop with the SmartThings app. This app lets you:

- Monitor the On/Off status of the rangetop elements.

The SmartThings app may not work properly if Wi-Fi communications are not working (e.g., blocked by other electronic appliances or outside electrical interference) or if the rangetop is installed where the signal is weak (e.g., far from the Wi-Fi source).

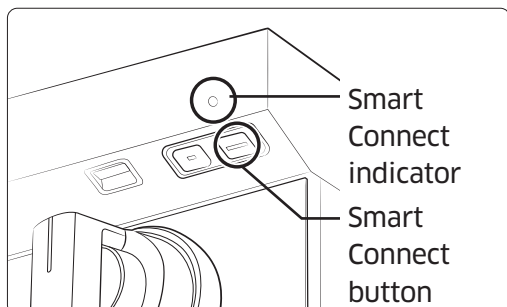
Connecting the rangetop

Before you can remotely control your rangetop, you must pair it with the SmartThings app.

1. Download and open the SmartThings App on your smart device.
2. Follow the app's on-screen instructions, then press-hold the Smart Connect button for 3 seconds.

NOTE

- The Smart Connect LED indicator stops blinking but remains on, indicating the connection was successful.
- If the Smart Connect LED does not appear, follow the app's instructions to reconnect with the rangetop.



NOTE

The rangetop's **Smart Connect** button is under the chassis above the knob.

To monitor the rangetop remotely

1. Make sure the Smart Connect LED indicator appears. If it does not appear, press the **Smart Connect** button, after which the rangetop can be monitored remotely with a connected remote device.
2. Select the rangetop icon on the SmartThings app to open the rangetop monitor app.

Smart Connect on/off

If you set the Smart Connect to Off, mobile devices cannot connect to the rangetop. To turn Smart Connect on and off, press Smart Connect button under the chassis.

NOTE

- The Smart Connect LED indicator appears. The indicator remains as long as Smart Connect is active.
- The rangetop continues operating even if the Wi-Fi connection is lost.
- Smart Connect will not work properly if the Wi-Fi Connection is unstable.
- See the SmartThings app's user manual for details. You can also visit www.dacor.com where you can view the SmartThings App manual.



Using the Rangetop

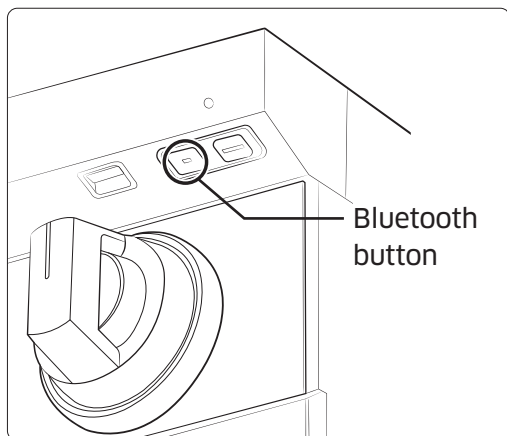
Using the hood control feature

NOTE

The rangetop features a Bluetooth capability that connects a Dacor hood-control rangetop to certain hood models.

To connect a hood-control rangetop with a hood:

1. Download and run the SmartThings app on your smartphone, then complete the Smart Connect procedure to connect to the rangetop.
2. Follow the Bluetooth instructions of the hood-control model, and activate the Bluetooth connection.
3. Press the **Bluetooth** icon  on the hood-control panel. The **Bluetooth** icon  LED blinks.
4. Press the **Bluetooth** button on the rangetop. Pairing begins. When pairing is finished, the Bluetooth LED indicator glows steadily.
5. Follow the instructions in the rangetop user manual and in the app's guide to control the hood.

**NOTE**

The **Bluetooth** button is under the chassis over the knob.

Bluetooth on/off

Press the **Bluetooth** button under the chassis.

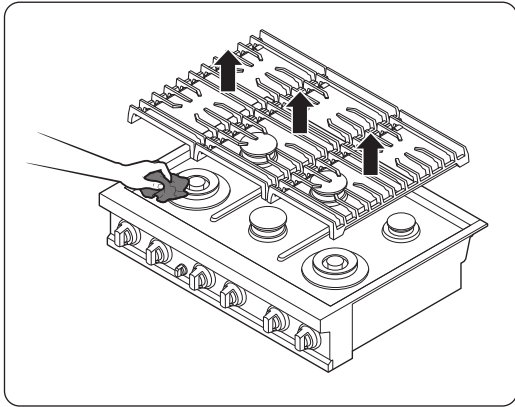
NOTE

- The hood's Bluetooth LED remains on as long as Bluetooth is enabled.
- If the connection is unsuccessful, you cannot monitor and control the hood with the SmartThings app.
- If not connected to the rangetop, you can use a Bluetooth connection to pair the rangetop with the hood and sync them. To do this, follow the Bluetooth connection steps on page **32**.
- Bluetooth will not work properly if the Bluetooth connection is unstable.
- See the SmartThings app manual for details.

Care and maintenance

Cleaning the rangetop surface

You should clean up spills immediately.



1. Turn off all burners.
2. When the grates have cooled sufficiently, remove them.
3. Clean the rangetop surface with a soft cloth. If spills run into gaps in the burner components, remove the burner gaps and head, and wipe up the spills.
4. When finished cleaning, reassemble the burners, and reposition the grates.

Stainless steel surfaces

1. Remove any spills, spots, and grease stains using a soft, wet cloth.
2. Apply an approved stainless steel cleanser to a cloth or paper towel.
3. Clean one small area at a time, rubbing with the grain of the stainless steel if applicable.
4. Dry the surface with a soft, dry cloth.
5. Repeat Steps 2 - 4 as needed.

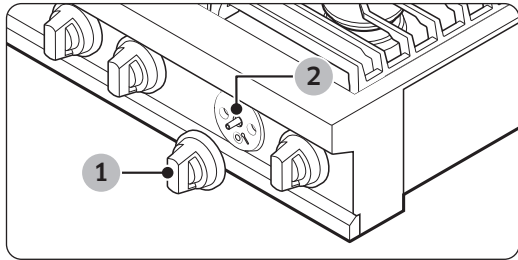
CAUTION

- Do not use items (e.g., steel-wool pad, sharp scraper, abrasive cleaner, caustic lye/sodium hydroxide), which can cause blemishes to the steel and damage components.
- Do not remove the rangetop surface to clean it. The gas lines leading to the burner manifolds can be damaged, possibly causing a fire or malfunction.
- Do not pour water into the rangetop. The water could drip into the gas and electrical systems, creating an electric shock hazard or high levels of carbon monoxide (CO) from corroded gas valves/ports.
- Do not spray any type of cleanser into the manifold holes. The ignition system inside them must remain dry.

Care and maintenance

Control knobs

Turn off all burner knobs.



- 01** Grasp each knob and pull backward to remove.
- 02** Spill protector. Do not remove.

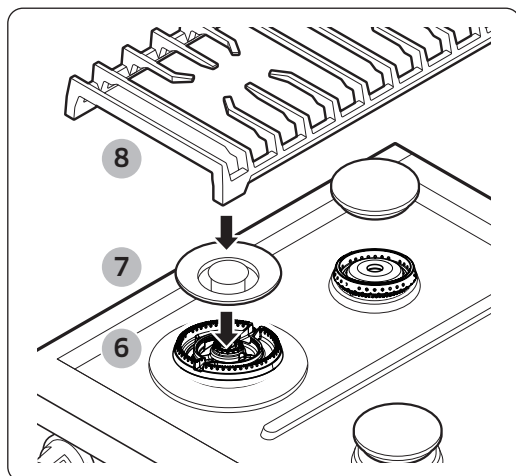
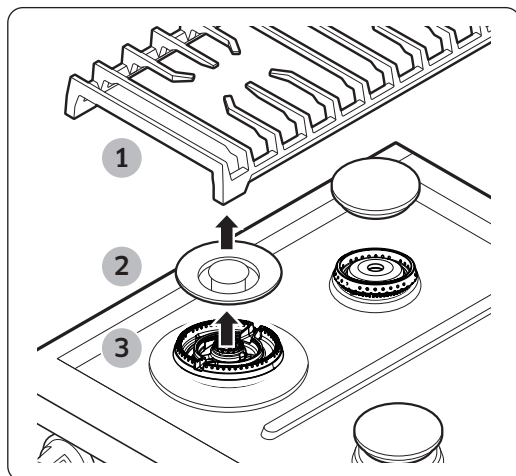
1. Pull the knobs off their valve stems.
2. Clean the knobs in warm, soapy water, then rinse and dry them thoroughly.
3. Clean the stainless-steel surfaces using stainless-steel cleaner.
4. Re-attach the knobs in the **Off** position to the control valve stems.

CAUTION

- Do not clean the control knobs in a dish washer.
- Do not spray cleansers directly onto the control panel. Moisture entering the electric circuits may cause electric shock or product damage.

Burner grates and components

Turn off all surface burners and make sure they have all cooled down.



1. Remove the burner grates.
2. Remove the burner caps from the burner heads.
3. Remove the burner heads from the valve manifolds to reveal the starter electrodes.
4. Clean the grates and burner components in warm, soapy water. (Do not use steel-wool pads or abrasive cleaners.)
5. Rinse and dry grates and burner components thoroughly.
6. Reassemble the burner heads, making sure to insert a starter electrode through the hole in each head.

NOTE

See Pages 40-42 for details on how to reassemble the burner components.

7. Reassemble the remaining burner components, making sure the caps lie flat on top of the heads.
8. Re-install the burner grates in their respective positions.
9. Turn on each burner to verify that it works properly, then turn off the burner.

Care and maintenance

Burner caps and heads

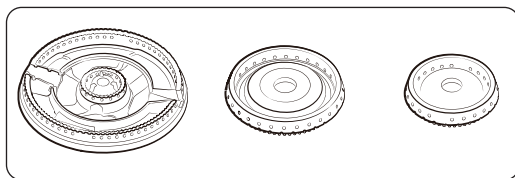
NOTE

Before removing the burner caps and heads, remember their size and location. Replace them in the same location after cleaning.

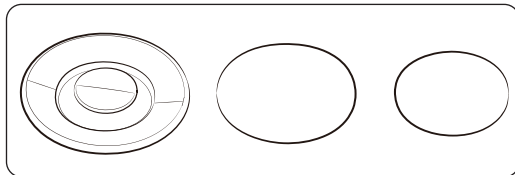
Wash burner caps and burner heads in hot, soapy water and rinse with clean running water. You may scrub with a plastic scrubbing pad to remove burned-on food particles. Use a sewing needle or paper clip to unclog the small holes in the burner head, if required.

CAUTION

- Do not wash any burner parts in a dishwasher.
- Do not use steel wool or scouring powders to clean the burners.



Brass burner head



Brass burner Caps

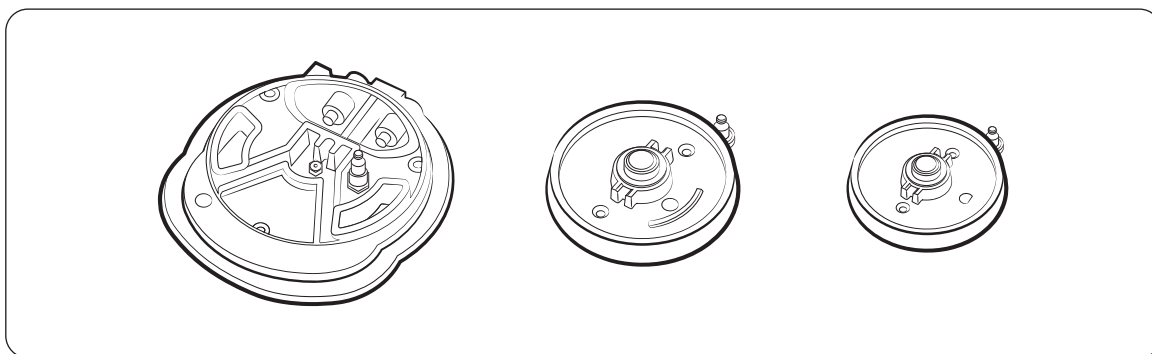
NOTE

- The brass parts of your burner will change color. However, this will not affect performance.
- After cleaning, check that all burner ports are unclogged.
- You may swap out the original burner caps for porcelain caps if desired.
- To remove burnt on grease, soak the brass burner cap in 1 cup of water and either 1 table spoon of white vinegar or 1 table spoon of lemon juice. Do not use metallic brush while cleaning it. It can damage the brass parts.

Burner bases

⚠ CAUTION

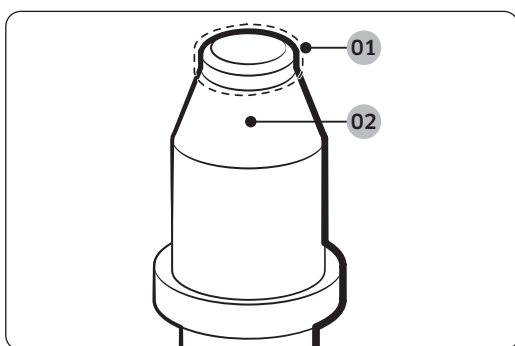
The burner bases are not removable; do not try to disassemble them. Make sure that no water gets into the burner bases and the brass gas orifices. Wipe them clean with a damp cloth, being careful not to damage or deform the bases. Make sure the bases are completely dry before using the rangetop.



Electrodes

⚠ CAUTION

Do not attempt to remove the electrode from the rangetop or burner bases.



- 01 Metal part:** Clean this metal part
02 White ceramic part: Do not clean this white ceramic part with a nail file

You should never be cooking while you're cleaning the rangetop.

Make sure the white ceramic electrodes are clean and dry. Clean the metal portion with a soft cloth. Do not clean the igniters with water.

Before reassembling the surface burners, push down gently on each of the white ceramic electrodes to make sure they are pressed against the burner bases.

📄 NOTE

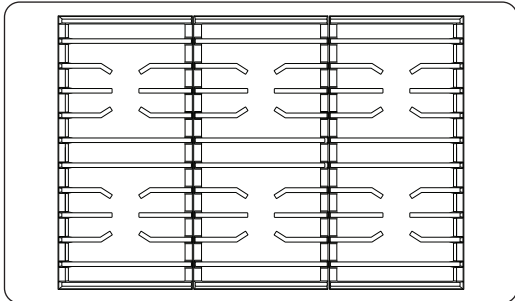
Do not attempt to remove the electrode from the rangetop.

Care and maintenance

Grates and Wok Ring

⚠ CAUTION

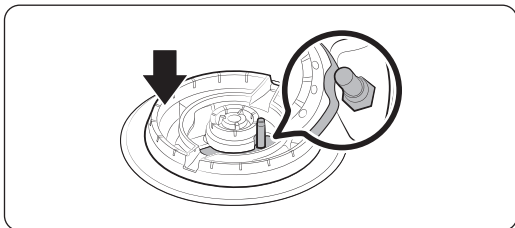
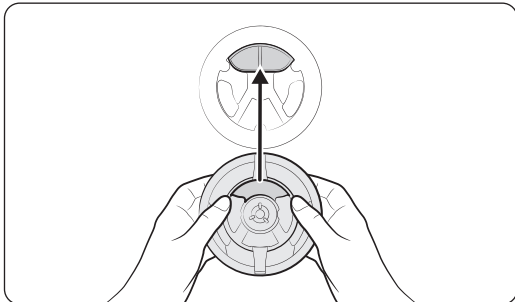
Do not clean the grates or wok ring in a dishwasher. They will be damaged.



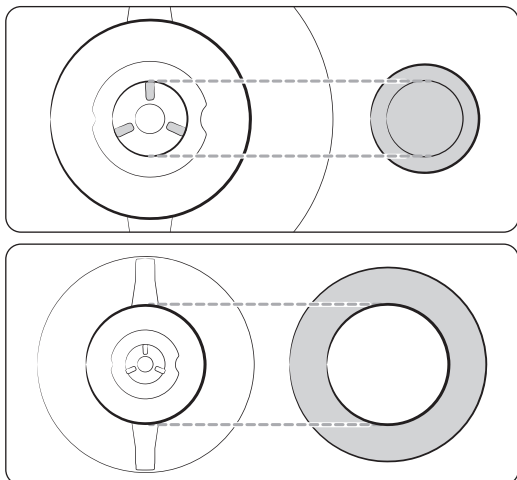
You should wash the grates regularly and after spillovers. They are not dishwasher-safe. To clean the grates, wait until they are cool enough to touch safely, then remove them from the rangetop, and wash them with hot, soapy water. Rinse the grates with clean, and dry them thoroughly. Reposition the grates securely as instructed earlier in this manual.

Burner head and cap replacement

Dual Burner head / caps



1. Orient the burner head so the electrode opening aligns with the electrode itself.
2. Install the burner head so the electrode passes through its opening in the head. Verify that the burner head lies flat on the rangetop.

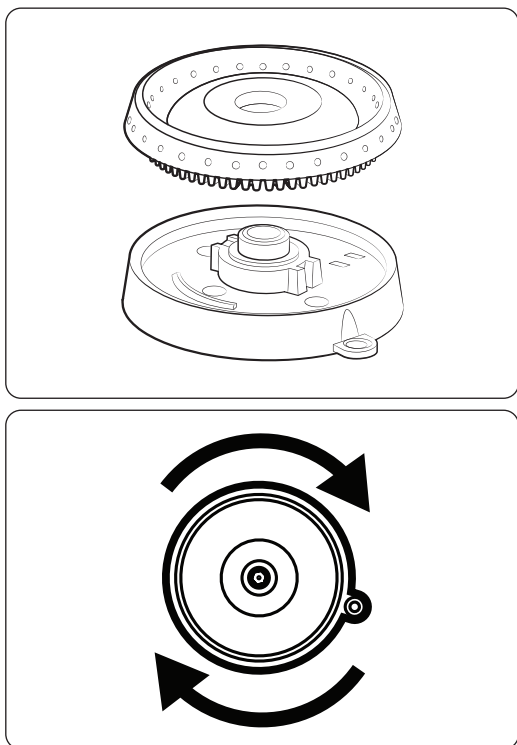


3. Match the burner caps to the burners by size, and then re-install the caps on the burner heads.

⚠ CAUTION

Each cap fits on a specific burner head. Verify that each cap is installed and lies flat on the correct head.

Round Burner head / caps



1. Put the burner heads on the burner bases as shown on the left. The bottom of the burner head fits inside the top of the burner base.
2. Turn the head until it drops into place. Twist each head clockwise and counter-clockwise slightly to make sure it is properly seated.
3. Place the burner caps (brass or porcelain) atop the burner rings. The ridge around the bottom of each cap fits around the top of the ring.

⚠ CAUTION

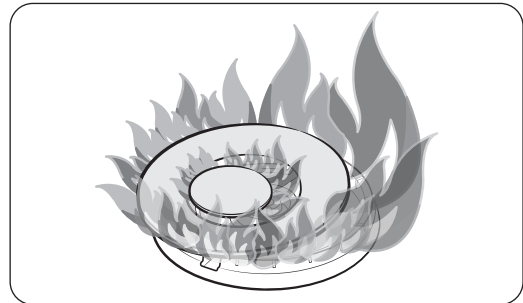
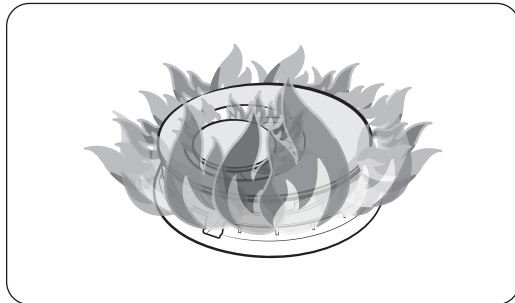
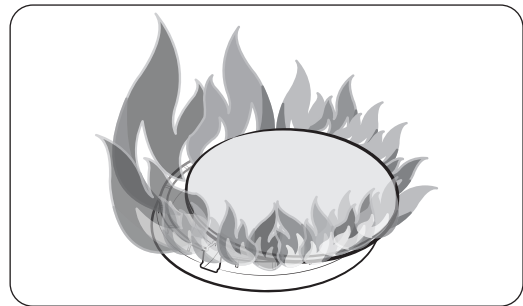
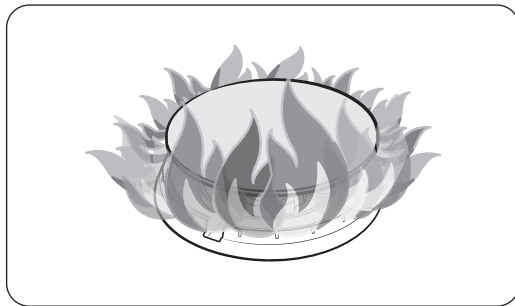
Verify that all burner components rest securely in place. If any components are misaligned, disassemble them, and redo the installation for any improperly installed components.

Care and maintenance

NOTE

After installing the burners, verify that they will work properly.

Improperly installed components will result in poor ignition or uneven flames (as shown in the illustrations).



Troubleshooting

If the rangetop malfunctions, before calling for service, review the tables in this section for a possible resolution of the issue.

Checkpoints

Gas safety

Problem	Possible cause	Action
You smell gas.	The surface burner knob is not in the Off position and the burner is not lit.	Turn the burner knob to Off .
	There is a gas leak.	<ul style="list-style-type: none">• Clear all occupants from the room/building/area.• Immediately call your gas supplier from a neighbor's home; your own phone may cause a spark that ignites the gas; follow the gas supplier's instructions.• If you cannot reach your gas supplier, call the fire department.

Troubleshooting

Surface burner

Problem	Possible causes	Action
All burners do not light.	The rangetop is unplugged.	Make sure the power cord is plugged into a live, grounded outlet.
	A fuse may have blown; the circuit breaker may have tripped.	Replace the fuse or reset the circuit breaker.
	The gas supply is not properly connected or turned on.	See your rangetop's Installation Instructions.
Surface burners do not light.	The control knob is not set properly.	Push in the control knob and turn it to the Lite position.
	<ul style="list-style-type: none"> The burner caps are not in place. The burner base is misaligned. 	<ul style="list-style-type: none"> Clean the electrodes. Put the burner cap on the burner head. Align the burner base.
A surface burner clicks during operation.	The control knob has been left in the Lite position.	After the burner ignites, turn the control knob to the desired setting; if the burner still clicks, contact a service technician.
The burners do not burn evenly.	Burner components are not assembled correctly.	Review pages 40-42 .
	Burners are dirty.	<ul style="list-style-type: none"> Clean the burner components. Review pages 37, 38, 40.
Very large or yellow surface burner flames.	The wrong burner orifice is installed.	Check the burner orifice size, and contact your installer if you have the wrong orifice (LP gas instead of natural gas or vice versa).

Warranty and Service

Warranty

What Is Covered

CERTIFICATE OF WARRANTIES: DACOR RANGETOPS

WITHIN THE FIFTY STATES OF THE U.S.A., THE DISTRICT OF COLUMBIA, AND CANADA:

FULL TWO-YEARS WARRANTY

The warranty applies only to the Dacor appliance sold to the first use purchaser, starting from the date of original retail purchase or closing date for new construction, whichever period is longer. Warranty is valid on products purchased brand new from a Dacor Authorized Dealer, or other seller authorized by Dacor.

If your Dacor product fails to function within one year of the original date of purchase, due to a defect in material or workmanship, Dacor will remedy it without charge to you. All cosmetic damage (such as scratches on stainless steel, paint/porcelain blemishes, etc.) to the product or included accessories must be reported to Dacor within 60 days of the original purchase date to qualify for warranty coverage. Consumable parts such as filters and light bulbs are not covered and are the responsibility of the purchaser.

LIMITATIONS OF COVERAGE

Service will be provided by a Dacor designated service company during regular business hours. Please note service providers are independent entities and are not agents of Dacor. Dealer display and model home display products with a production date greater than 5 years, products sold "As Is," and products installed for non-residential use, which include but are not limited to religious organizations, fire stations, bed & breakfast, and spas carry a one year parts warranty only. All delivery, installation, labor costs, and other service fees are the responsibility of the purchaser.

Warranty will be null and void on product that has altered, defaced, or missing serial numbers and tags.

The owner must provide proof of purchase or closing statement for new construction upon request. All Dacor products must be accessible for service.

Warranty is null and void if non-ETL or non-CUL approved product is transported from the U.S.A.

Warranty and Service

OUTSIDE THE FIFTY STATES OF THE U.S.A., THE DISTRICT OF COLUMBIA, AND CANADA:

LIMITED TWO-YEARS WARRANTY

If your Dacor product fails to function within two years of the original date of purchase due to a defect in material or workmanship, Dacor will furnish a new part, F.O.B. factory to replace the defective part.

All delivery, installation, labor costs and other service fees are the responsibility of the purchaser.

What Is Not Covered

- Slight color variations may be noticed because of differences in painted parts, kitchen lighting, product placement and other factors; this warranty does not apply to color variation.
- Service calls to educate the customer on proper use and care of the product.
- Service fees for travel to islands and remote areas, which include but are not limited to, ferries, toll roads or other travel expenses.
- Consequential or incidental damage, including but not limited to food or medicine loss, time away from work or restaurant meals.
- Failure of the product when used for commercial, business, rental or any application other than for residential consumer use.
- Failure of the product caused by improper product installation.
- Replacement of house fuses, fuse boxes or resetting of circuit breakers.
- Damage to the product caused by accident, fire, flood, power interruption, power surges or other acts of God.
- Liability or responsibility for damage to surrounding property including cabinetry, floors, ceilings and other structures or objects around the product.
- Breakage, discoloration, or damage to glass, metal surfaces, plastic components, trim, paint or other cosmetic finish caused by improper usage, care, abuse or neglect.

Out of Warranty

Should you experience a service issue beyond the standard warranty period, please contact us. Dacor reviews each issue and customer concern to provide the best possible solution based on the circumstances.

THE REMEDIES PROVIDED IN THE ABOVE EXPRESS WARRANTIES ARE THE SOLE AND EXCLUSIVE REMEDIES. THEREFORE, NO OTHER EXPRESS WARRANTIES ARE MADE, AND OUTSIDE THE FIFTY STATES OF THE UNITED STATES, THE DISTRICT OF COLUMBIA AND CANADA, ALL IMPLIED WARRANTIES, INCLUDING BUT NOT LIMITED TO, ANY IMPLIED WARRANTY OF MERCHANTABILITY OR FITNESS FOR A PARTICULAR USE OR PURPOSE, ARE LIMITED IN DURATION TO ONE YEAR FROM THE DATE OF ORIGINAL PURCHASE. IN NO EVENT SHALL DACOR BE LIABLE FOR INCIDENTAL EXPENSE OR CONSEQUENTIAL DAMAGES. IN THE EVENT DACOR PREVAILS IN ANY LAWSUIT, DACOR SHALL BE ENTITLED TO REIMBURSEMENT OF ALL COSTS AND EXPENSES, INCLUDING ATTORNEY'S FEES, FROM THE DACOR CUSTOMER. NO WARRANTIES, EXPRESS OR IMPLIED, ARE MADE TO ANY BUYER FOR RESALE.

Some states do not allow limitations on how long an implied warranty lasts, or do not allow the exclusion or limitation of inconsequential damages, therefore the above limitations or exclusions may not apply to you. This warranty gives you specific legal rights, and you may also have other rights that vary from state to state.

Appendix

Model name & serial number

Both the model name and the serial number are labeled on the right side of product.

For later use, write down the information onto the current page.

Model Name _____

Serial Number _____

Open Source Announcement

The software included in this product contains open source software. You may obtain the complete corresponding source code for a period of three years after the last shipment of this product by sending an email to <mailto:oss.request@samsung.com>.

It is also possible to obtain the complete corresponding source code in a physical medium such as a CD-ROM; a minimal charge will be required.

The following URL http://opensource.samsung.com/opensource/OVEN_HKM_TZ/seq/0 leads to the download page of the source code made available and open source license information as related to this product. This offer is valid to anyone in receipt of this information.



MEMO

MEMO



Dacor • Phone: 833-353-5483(USA), 844-509-4659(Canada) • www.dacor.com

dacor

Manual del usuario

Parrilla

DTT48*960**/DTT36*960**



DG68-01474A-01

⚠ ADVERTENCIA

Nunca descuide la sección de cocción de la superficie superior de este artefacto

- **El ignorar esta advertencia podría provocar un incendio, una explosión o un peligro de quemadura que podría ocasionar daños materiales, lesiones o la muerte.**
- **Si se produce un incendio, manténgase alejado del artefacto y llame a los bomberos de inmediato.**

NO INTENTE APAGAR UN INCENDIO DE ACEITE O GRASA CON AGUA.

ADVERTENCIA: No seguir las instrucciones de este manual con exactitud puede provocar un incendio o una explosión que podría ocasionar daños materiales, lesiones o la muerte.

- **NO** guarde ni utilice gasolina u otros productos inflamables cerca de este artefacto.
- **SI HAY OLOR A GAS:**
 - **NO** encienda ningún otro artefacto.
 - **NO** toque ningún interruptor eléctrico.
 - **NO** utilice ningún teléfono dentro del edificio.
 - Llame inmediatamente a su proveedor de gas desde el teléfono de un vecino. Siga las instrucciones del proveedor.
 - Si no puede comunicarse con el proveedor de gas, llame al departamento de bomberos.
- La instalación y el servicio técnico deben ser realizados por el proveedor de gas, o un instalador o agencia de servicio técnico calificados.

Aviso normativo

1. Aviso del sistema de radio

PRECAUCIÓN

Los cambios o modificaciones que no estén expresamente aprobados por la parte responsable del cumplimiento pueden anular la autoridad del usuario para utilizar este artefacto. El equipo de habilitación remota instalado en este producto cumple con la parte 15 de las reglas de la Comisión Federal de Comunicaciones (FCC) y con los estándares de sindicación realmente simple (RSS) con exención de licencia del Departamento de Innovación, Ciencia y Desarrollo Económico de Canadá. El funcionamiento está sujeto a dos condiciones:

- 1) Este equipo puede no producir interferencias perjudiciales.
- 2) Este equipo debe aceptar todas las interferencias recibidas, incluidas interferencias que provoquen un funcionamiento no deseado.

Para los productos disponibles en los mercados de EE. UU. y Canadá, solo se encuentran disponibles los canales 1~11. No puede elegir ningún otro canal.

1. DECLARACIÓN del sistema de radio:

Este equipo se sometió a pruebas y se demostró que se encuentra dentro de los límites para considerarse un dispositivo digital Clase B de acuerdo con la parte 15 de las reglas de la FCC y el estándar ICES-003 de Canadá. Estos límites fueron diseñados para brindar una protección razonable contra las interferencias perjudiciales en una instalación residencial.

Aviso normativo

Este equipo genera, utiliza y puede irradiar energía de radiofrecuencia y, si no se instala y se utiliza según las instrucciones, puede producir interferencias perjudiciales en las radiocomunicaciones. Sin embargo, no existe garantía de que no se produzca interferencia en una instalación particular. Si este artefacto produce interferencias perjudiciales en la recepción de radio o televisión, determinadas al prender o apagar el equipo, se recomienda al usuario que intente corregir la interferencia tomando alguna de las siguientes medidas:

- Reorientar o trasladar la antena receptora
- Aumentar la separación entre el equipo y el receptor
- Conectar el equipo a un tomacorriente que esté en un circuito diferente al de la radio o el televisor
- Solicitar ayuda al distribuidor o a un técnico especializado

DECLARACIÓN DE EXPOSICIÓN A LA RADIACIÓN:

Este equipo se encuentra dentro de los límites de exposición a la radiación de la FCC y el estándar RSS-102 de la industria de Canadá. El equipo debe ser instalado y operado si hay al menos 8 pulgadas (20 cm) entre el radiador y su cuerpo. Este dispositivo y sus antenas no deben ser localizados ni operados en el mismo sitio de otra antena o transmisor.



A nuestros valiosos clientes:

¡Felicidades por la compra de lo último en productos Dacor! Nuestra combinación única de características, estilo y desempeño nos hace una gran incorporación a su hogar.

Para familiarizarse con los controles, las funciones y todo el potencial de su nuevo artefacto Dacor, lea detalladamente este manual de uso y cuidado, comenzando con la sección **Antes de comenzar**.

Todos los artefactos Dacor están diseñados y fabricados con calidad y orgullo, mientras trabajamos dentro del marco de nuestro valor de empresa. Si tiene un problema con su producto, primero revise la sección de Solución de problemas de este manual como guía. Encontrará sugerencias y soluciones útiles antes de llamar al servicio técnico.

Los valiosos comentarios de los clientes nos ayudan a mejorar nuestros productos y servicios constantemente. Si necesita ayuda con su producto, siéntase libre de contactar a nuestro Equipo de atención al cliente.

Servicio de seguros de Dacor

- **USA**
Samsung Electronics America, Inc.
85 Challenger Road
Ridgefield Park, NJ 07660
- **Canadá**
Samsung Electronics Canada Inc.
2050 Derry Road West, Mississauga,
Ontario L5N 0B9 Canada

Teléfono: 833-353-5483(EE. UU.), 844-509-4659(Canadá)

Horario de atención: Lunes a viernes de 8:00 a. m. a 8:00 p. m. del horario del Pacífico

Sitio web: www.dacor.com

Gracias por elegir Dacor para su hogar. Somos una compañía creada por familias para familias, y nos dedicamos a servirles. Estamos seguros de que su nuevo producto Dacor tendrá un alto nivel de desempeño y será una fuente de disfrute durante muchos años.

Saludos,

The Dacor Customer Assurance Team

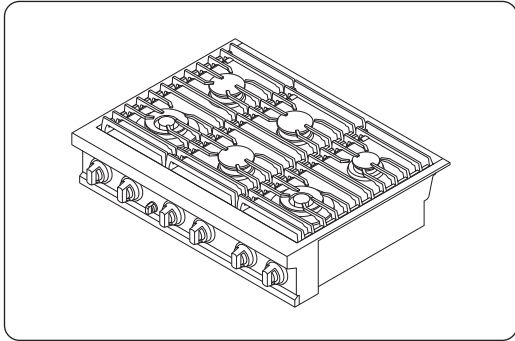
Contenido

Antes de comenzar	8
Importante	8
Acerca de este manual	8
Nota importante para el instalador	8
Nota importante para el usuario	9
Nota importante para el técnico	9
Instrucciones de seguridad importantes	10
Lea todas las instrucciones antes de usar este artefacto	10
Símbolos usados en este manual	10
Advertencia de la Propuesta 65 de California	10
Mancomunidad de Massachusetts	10
Seguridad general	11
Seguridad contra incendios	12
Seguridad del gas	13
Seguridad eléctrica y de conexión a tierra	14
Seguridad de la instalación	15
Seguridad de la ubicación	16
Seguridad de la parrilla	17
Uso en zonas de altitud alta	18
Descripción general	19
Disposición	19
Qué incluye	20
Uso de la parrilla	21
Quemadores	21
Características especiales de la parrilla	22
Encendido	23
Utensilios de cocina	25
Rejillas	27
Comal (accesorios de compra adicionales)	28
Anillo para wok	30
Uso de la función Smart Connect	31

Uso de la función de control de la campana	33
Cuidados y mantenimiento	35
Limpeza de la superficie de la parrilla	35
Superficies de acero inoxidable	36
Perillas de control	37
Rejillas de los quemadores y sus componentes	38
Tapas y cabezales de los quemadores	39
Bases de los quemadores	40
Electrodos	40
Rejillas y anillo para wok	41
Reemplazo de cabezales y tapas de los quemadores	41
Solución de problemas	44
Puntos de control	44
Garantía y servicio técnico	46
Garantía	46
Anexo	49
Nombre del modelo y número de serie	49
Anuncio de software libre	50

Antes de comenzar

Importante



- El diseño y/o los accesorios generales pueden variar dependiendo del modelo.

Instalador

- Para promover la seguridad y minimizar problemas, lea este manual detalladamente antes de comenzar con la instalación. Deje este manual al usuario.
- Escriba los números de serie y el modelo del artefacto en este manual a modo de referencia para el servicio técnico y el mantenimiento.

Usuario

- Guarde este manual a modo de referencia personal y para inspectores, personal del servicio técnico, etc.

Acerca de este manual

LEA ESTAS INSTRUCCIONES EN SU TOTALIDAD Y CUIDADOSAMENTE.

Nota importante para el instalador

- Lea todas las instrucciones de este instructivo antes de proceder con la instalación del artefacto.
- Quite todos los materiales de empaquetado de los compartimientos del artefacto antes de conectar el suministro eléctrico y de gas.
- Cumpla con todos los códigos y ordenanzas exigidos por las autoridades pertinentes.
- Asegúrese de dejar estas instrucciones al usuario.
- La instalación de este electrodoméstico requiere habilidades mecánicas básicas.
- El instalador es responsable de llevar a cabo una instalación adecuada.
- La falla del producto debido a la instalación incorrecta no está cubierta por la garantía.

Nota importante para el usuario

Conserve estas instrucciones con el manual del usuario para futura referencia.

- Como cualquier artefacto que genera calor con su uso, debe seguir ciertas precauciones de seguridad.
- Asegúrese de que su artefacto haya sido correctamente instalado y conectado a tierra por un instalador o técnico de servicio calificado.
- Asegúrese de que los revestimientos de las paredes alrededor de la parrilla puedan soportar el calor que genera.
- Debe haber un espacio entre los muebles de almacenamiento y los quemadores de la parrilla de, al menos, 30 pulgadas (76.2 cm).

Nota importante para el técnico

El diagrama eléctrico se adjunta dentro de la caja de los quemadores.

Instrucciones de seguridad importantes

Lea todas las instrucciones antes de usar este artefacto

- Todos los equipos de gas y eléctricos con piezas móviles pueden ser peligrosos. Asegúrese de leer la información importante de seguridad de este manual. Se deben seguir las instrucciones para minimizar el riesgo de daños materiales, lesiones o muerte.
- Guarde este manual en un lugar accesible para poder consultarlo de ser necesario.

Símbolos usados en este manual

ADVERTENCIA

Prácticas inseguras o peligrosas que pueden provocar lesiones graves o la muerte.

PRECAUCIÓN

Prácticas inseguras o peligrosas que pueden provocar descargas eléctricas, lesiones o daños a la propiedad.

NOTA

Instrucciones y sugerencias útiles

Estos símbolos e iconos de advertencia están pensados para evitar daños a la propiedad y lesiones. Sígalos al pie de la letra.

Advertencia de la Propuesta 65 de California

ADVERTENCIA

Cáncer y daño reproductivo: www.P65Warnings.ca.gov

Mancomunidad de Massachusetts

Este producto debe ser instalado por un plomero con licencia o un gasista matriculado, o con licencia del Estado de Massachusetts. Cuando se utilicen válvulas de bola para el cierre del gas, se debe usar una manija en forma de "T". No se deben conectar varios conductos flexibles de gas en serie.

Seguridad general

ADVERTENCIA

Para reducir el riesgo de incendio, descargas eléctricas, lesiones y muerte, respete estas precauciones.

- **No toque** ninguna superficie, componente o mecanismo del artefacto durante o inmediatamente después de cocinar.
- **Conozca** dónde se encuentra la válvula de entrada de gas del artefacto y cómo cerrarla.
- **No permita que los niños se acerquen** al artefacto. No permita que los niños jueguen con el artefacto ni con cualquiera de sus piezas. No deje a los niños sin supervisión en la cocina donde se esté usando el artefacto. Para la seguridad de los niños, se recomienda usar la función de traba de controles y puerta.
- **Retire** todo el empaquetado antes de utilizar el artefacto para evitar que el material se incendie. Mantenga el empaquetado lejos de los niños. Deseche correctamente el empaquetado apenas desempaque la parrilla.
- **No deje** objetos que puedan despertar el interés de los niños sobre el artefacto o a su alrededor.
- **No utilice** la parrilla si está dañada, si funciona de manera incorrecta o si faltan piezas.
- **No utilice** la parrilla como calentador de ambiente. Utilice la parrilla solo para cocinar.
- **Utilice** únicamente agarradores aislantes secos.
- **No utilice** el artefacto para calentar comida en envases sellados. No utilice el artefacto para calentar comida en envases sellados.
- Cuando deseche el artefacto, **corte** el cable de alimentación para evitar que los niños y los animales queden atrapados.
- **Desenchufe** el artefacto antes de realizar tareas de servicio técnico o de mantenimiento.
- **Asegúrese** de que toda la carne roja y de ave se cocine completamente. La carne roja siempre se debe cocinar a una temperatura interna de 160 °F (71 °C). La carne de ave siempre se debe cocinar a una temperatura interna de 180 °F (82 °C).
- Mantenga el área del artefacto limpia y libre de materiales combustibles, gasolina, y otros vapores y líquidos inflamables.
- **Indíqueles** a los niños que no deben tocar ni jugar con los controles del artefacto ni con ninguna de sus piezas.
- Las cortinas de aire u otras campanas extractoras, que funcionan dirigiendo el flujo de aire hacia abajo, no deben utilizarse junto con una cocina a gas, a menos que la campana y la cocina hayan sido diseñadas para eso y probadas de acuerdo con la norma para cocinas domésticas a gas, ANSI Z21.1 • CSA1.1, y que figuren en la lista de un laboratorio de análisis independiente como aptas para uso combinado.

ADVERTENCIA

NUNCA utilice este artefacto como calentador de ambiente. Hacerlo podría tener como resultado el envenenamiento con monóxido de carbono y el recalentamiento del horno.

Instrucciones de seguridad importantes

Seguridad contra incendios

ADVERTENCIA

Para reducir el riesgo de incendio, descargas eléctricas, lesiones y muerte, respete estas precauciones:

- **No almacene, coloque ni utilice** materiales combustibles (por ej., papel, plástico, agarradores aislantes, ropa de cama, gasolina, alcohol,) cerca del artefacto.
- **No use** prendas amplias o colgantes mientras utiliza el artefacto.
- Para evitar la acumulación de grasa, **limpie regularmente** las ventilaciones.
- **No permita** que los agarradores aislantes u otros materiales inflamables toquen un elemento caliente. No utilice una toalla ni otra tela voluminosa en lugar de un agarrador aislante.
- **No apague** un incendio por grasa con agua. En lugar de usar agua, apague la fuente de calor, y extinga el incendio con una tapa bien ajustada o utilice un extinguidor multipropósito, de polvo químico seco o de espuma.
- **No caliente** comida en envases cerrados. La acumulación de presión puede provocar que los envases exploten y ocasionar lesiones.
- **No deje** elementos como papel, utensilios de cocina o comida en el artefacto cuando no lo esté usando. Estos elementos pueden prenderse fuego en el artefacto.
- **No coloque** ningún material ni elementos combustibles alrededor del artefacto.

Seguridad del gas

⚠ ADVERTENCIA

Para reducir el riesgo de incendio, descargas eléctricas, lesiones y muerte, respete estas precauciones:

Si hay olor a gas:

- Cierre la válvula y no use el artefacto.
- **No prenda** fósforos, velas o cigarrillos.
- **No encienda** artefactos a gas o eléctricos.
- **No toque** ningún interruptor eléctrico ni enchufe a un cable de alimentación.
- **No utilice** ningún teléfono dentro del edificio.
- **Evacúe** a todas las personas del edificio.
- **Llame inmediatamente** al proveedor de gas desde el teléfono de un vecino. Siga las instrucciones del proveedor de gas.
- Si no puede comunicarse con el proveedor de gas, llame al departamento de bomberos.

Verificación de pérdidas de gas

- La prueba de pérdidas del artefacto debe realizarse de acuerdo con las instrucciones del fabricante. No utilice una llama para verificar si hay pérdidas de gas. Utilice un cepillo para esparcir una solución de agua jabonosa alrededor del área en cuestión. Si hay una pérdida de gas, aparecerán pequeñas burbujas en la solución.

Instrucciones de seguridad importantes

Seguridad eléctrica y de conexión a tierra

ADVERTENCIA

Para reducir el riesgo de incendio, descargas eléctricas, lesiones y muerte, respete estas precauciones:

- Enchufe el artefacto a un tomacorriente de conexión a tierra de tres clavijas.
- **No retire** la clavija de conexión a tierra.
- **No utilice** un adaptador ni un alargue.
- **No utilice** un enchufe ni cable de alimentación dañados ni un tomacorriente flojo.
- **No modifique** el enchufe, el cable de alimentación ni el tomacorriente.
- **No coloque** un fusible en el circuito neutral o de conexión a tierra.
- Utilice un circuito eléctrico dedicado de CA, 120 voltios, 60 Hz, 20 amperes y equipado con fusibles. Se recomienda un fusible de retardo o un disyuntor. No enchufe más de un artefacto en este circuito.
- **No conecte** el cable a tierra a cañerías de tuberías de plástico, de gas o de agua caliente.
- Este artefacto **debe estar conectado a tierra**. Si el artefacto funciona incorrectamente o se rompe, la conexión a tierra reduce el riesgo de descarga eléctrica, facilitando un camino seguro para la corriente. El cable de alimentación del artefacto debe estar conectado firmemente a un tomacorriente que esté correctamente instalado y conectado a tierra de acuerdo con las regulaciones locales. Si no está seguro de que el tomacorriente esté conectado correctamente a tierra, un electricista matriculado debe verificarlo.
- El artefacto incluye un enchufe de conexión a tierra de tres clavijas. Este cable debe enchufarse a un tomacorriente de acoplamiento de conexión a tierra de tres clavijas, de acuerdo con los códigos y las ordenanzas locales. Si los códigos permiten utilizar un cable de conexión a tierra separado, recomendamos que un electricista calificado determine la vía adecuada para este cable a tierra.
- El servicio técnico eléctrico de la parrilla debe ajustarse a los códigos locales. A excepción de los códigos locales, debe cumplir con la versión más reciente de ANSI/NFPA Nro. 70 (para los EE. UU.) o con el Código Eléctrico de Canadá CSA C22.1 o su versión más reciente.
- El propietario del artefacto debe garantizar que se proporcione un servicio técnico eléctrico adecuado.

Seguridad de la instalación

⚠️ ADVERTENCIA

Para reducir el riesgo de incendio, descargas eléctricas, lesiones y muerte, respete estas precauciones:

- El artefacto debe ser correctamente instalado y conectado por un instalador calificado, según las instrucciones de instalación. Los ajustes y el servicio técnico los debe realizar únicamente un instalador o técnico de servicio calificado.
- **No intente** reparar, modificar o reemplazar el artefacto o alguna de sus piezas, excepto que se recomiende específicamente en este manual. Todos los otros servicios técnicos los debe realizar un técnico de servicio calificado.
- Utilice solo conectores flexibles nuevos para instalar el artefacto.
- Debido al tamaño y peso del artefacto, necesita **dos personas o más** para moverlo.
- **Retire** toda la cinta y el empaquetado.
- Luego de desempaquetar el artefacto, retire todos los accesorios del interior y de los alrededores (manipule las rejillas y el comal pesados con precaución)
- **Asegúrese** de que no se suelten piezas durante el transporte.
- **Asegúrese** de que un técnico de servicio o instalador calificado para el tipo de gas (natural o GLP) que utilizará haya instalado y ajustado correctamente su parrilla.
- La instalación de este artefacto debe realizarse conforme a los códigos locales o, en su ausencia, a la última edición del Código Nacional de Gas de Combustión, ANSI Z223.1/NFPA.54. En Canadá, la instalación debe realizarse conforme al Código Nacional de Gas de Combustión actual, CAN/CGA-B149.1, o el Código de Instalación de Propano actual, CAN/CGA-B149.2, y a los códigos locales que correspondan. Esta parrilla se diseñó con certificación de ETL, de acuerdo con ANSI Z21.1, última edición, y la Asociación Canadiense de Gas de acuerdo con CAN/CGA-1.1, última edición.

Instrucciones de seguridad importantes

Seguridad de la ubicación

⚠️ ADVERTENCIA

Para reducir el riesgo de incendio, descargas eléctricas, lesiones y muerte, respete estas precauciones.

- Este artefacto es para uso interior y doméstico solamente. **No instale** la parrilla en el exterior o en un lugar en el que esté expuesta a las inclemencias del clima, al agua o a corrientes de aire fuertes.
- **No instale** el artefacto donde esté expuesto a una corriente de aire fuerte.
- Elija un piso nivelado y bien construido que pueda aguantar el peso del artefacto. El piso sintético, como el linóleo, debe aguantar temperaturas de 180 °F (82 °C) sin achicarse, deformarse o decolorarse. **No instale** el artefacto directamente sobre alfombras de cocina, excepto que coloque una lámina de madera contrachapada de ¼ de pulgada o un aislante similar entre el artefacto y la alfombra.
- Elija una ubicación en donde se pueda acceder fácilmente al tomacorriente de conexión a tierra de tres clavijas.
- Si coloca el artefacto cerca de una ventana, **no cuelgue** cortinas o persianas de papel largas en esa ventana.
- Para que el artefacto se ventile correctamente, asegúrese de que las ventilaciones no estén bloqueadas y que haya distancia suficiente arriba, atrás, en los costados y debajo del artefacto. Las ventilaciones permiten la salida de aire necesaria para que el artefacto funcione adecuadamente con la combustión correcta.
- **Asegúrese** de que los revestimientos de las paredes alrededor de la parrilla puedan soportar un calor de hasta 200 °F (93 °C) generado por el artefacto.
- Evite colocar muebles de almacenamiento arriba de la superficie del artefacto. Si necesita muebles de almacenamiento arriba del artefacto, deje una distancia mínima de 30 pulgadas (76.2 cm) entre la superficie de cocción y la base de los muebles, o instale una campana extractora que cubra horizontalmente un mínimo de 5 pulgadas (12.7 cm) la base de los muebles.
- **Coloque** el artefacto fuera de los pasos de circulación de la cocina y de lugares de paso de aire para evitar una mala circulación de aire.
- Si coloca el artefacto cerca de una ventana, **NUNCA** cuelgue cortinas o persianas de papel largas en esa ventana. Podrían caer sobre los quemadores superficiales y provocar un incendio.

Seguridad de la parrilla

⚠ ADVERTENCIA

Para reducir el riesgo de incendio, descargas eléctricas, lesiones y muerte, respete estas precauciones:

- **Asegúrese** de apagar todos los quemadores cuando no estén en uso.
- **No utilice** papel de aluminio para cubrir las rejillas ni ninguna parte de la parrilla. Esto puede provocar envenenamiento por monóxido de carbono. El recubrimiento de papel de aluminio puede retener calor y provocar un incendio. **No deje** los quemadores sin supervisión en entornos con niveles de calor medios o altos.
- Antes de encender los quemadores, asegúrese de que todas las tapas estén correctamente instaladas en su lugar y niveladas.
- **Utilice siempre** la posición LITE (Encender) para encender los quemadores y asegúrese de que enciendan. Si falla el encendido, gire la perilla a Off (Apagado) y espere hasta que se disipe el gas.
- Cuando coloque un quemador a fuego lento, **no gire** la perilla rápidamente. Asegúrese de que la llama siga viva.
- Este artefacto está diseñado para utilizarse con un wok o un anillo para wok.
- Para flamear la comida, debe tener una campana de ventilación. Al flamear la comida, la campana debe estar encendida.
- Antes de retirar o cambiar los utensilios de cocina, apague los quemadores.
- Quite la comida y los utensilios de cocina inmediatamente después de cocinar.
- Antes de quitar cualquier pieza del quemador para su limpieza, asegúrese de que la parrilla esté apagada y completamente fría.
- Después de limpiar el distribuidor del quemador y antes de volver a ensamblarlo, asegúrese de que esté completamente seco.
- **Asegúrese** de que la marca de encendido en el distribuidor del quemador doble esté colocada junto al electrodo al ensamblarlo.
- Para evitar envenenamiento por monóxido de carbono, no vierta agua en la parrilla mientras limpia.
- Elija utensilios de cocina diseñados para cocción en parrilla. Utilice elementos de cocina lo suficientemente grandes como para cubrir las rejillas del quemador. Ajuste las llamas de los quemadores para que no sobrepasen la base de los utensilios de cocina.
- Para evitar la decoloración, deformación y envenenamiento por monóxido de carbono de los utensilios, no elija utensilios que sean sustancialmente más grandes que la rejilla.
- Asegúrese de que los mangos de los utensilios de cocina se ubiquen hacia un lado o hacia atrás de la parrilla, pero nunca sobre los quemadores superficiales.
- Manténgase lejos de la parrilla al freír.

Instrucciones de seguridad importantes

- Para freír, caliente el aceite despacio y supervise la operación. Cuando fría alimentos a alta temperatura, supervise detenidamente el proceso de cocción. Si va a utilizar una combinación de grasas o aceites para freír, mézclelos antes de calentar.
- Utilice un termómetro de freidora siempre que sea posible. Esto evita sobrecalentar la freidora más allá del punto de ahumado.
- Utilice una cantidad mínima de aceite cuando fría en una sartén poco profunda o en una freidora. Evite cocinar alimentos congelados o con una cantidad excesiva de hielo.
- Antes de mover los utensilios de cocina llenos de aceite o grasa, asegúrese de que se hayan enfriado por completo.
- Para evitar la ebullición eruptiva retrasada, deje que los líquidos calientes permanezcan al menos 20 segundos después de que apague el quemador, de manera que la temperatura del líquido se pueda estabilizar. En caso de quemaduras, siga las instrucciones de primeros auxilios a continuación:
 1. Sumerja la zona quemada en agua fría o tibia por al menos 10 minutos.
 2. No aplique cremas, aceites ni lociones.
 3. Cubra con un paño limpio y seco.
- **No use** prendas amplias o colgantes mientras utiliza el artefacto. Pueden encenderse e incendiarse si tocan un quemador superficial.
- **Nunca deje** elementos de plástico en el artefacto. El aire caliente de la ventilación puede derretir o inflamar el plástico, o causar una acumulación de presión peligrosa en los recipientes de plástico cerrados.
- **No coloque** artefactos portátiles ni ningún otro objeto sobre la parrilla que no sean los utensilios de cocina. Podría provocar daños o un incendio si el artefacto está caliente
- **Siempre asegúrese** de que las comidas estén descongeladas y secas antes de freírlas. La humedad de cualquier tipo puede provocar que la grasa caliente burbujee y caiga por los costados de la sartén.
- **Siempre asegúrese** de que los controles estén en la posición Off y que las rejillas estén frías antes de retirarlas, para evitar cualquier posibilidad de quemadura.
- **No coloque** ningún material ni elementos combustibles alrededor del artefacto.
- **Cuide** que sus manos no toquen los quemadores cuando estén encendidas. Apague los quemadores cuando cambie una sartén o cacerola.
- Para calentar líquidos como salsas, revuelva mientras calienta.

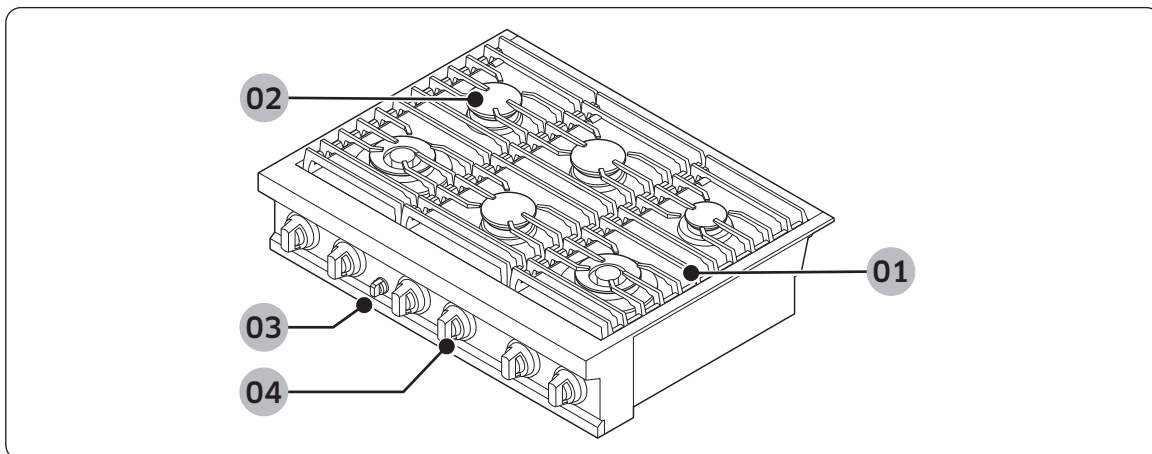
Uso en zonas de altitud alta

- Este artefacto se probó para verificar su funcionamiento en altitudes de hasta 7800 pies (2377 m) sobre el nivel del mar.
- Si lo desea, se puede configurar la llama baja en los quemadores de la placa de cocción para altitudes superiores a 2000 pies (610 m) sobre el nivel del mar. Si el rendimiento de la llama es satisfactorio, no será necesario realizar ningún ajuste.
- Consulte las instrucciones de conversión a LP para obtener información sobre el ajuste de la llama baja.
- * Sin embargo, los modelos de 36" (Parrilla y Estufa Pro) no deben usarse en entornos de gran altitud.

Descripción general

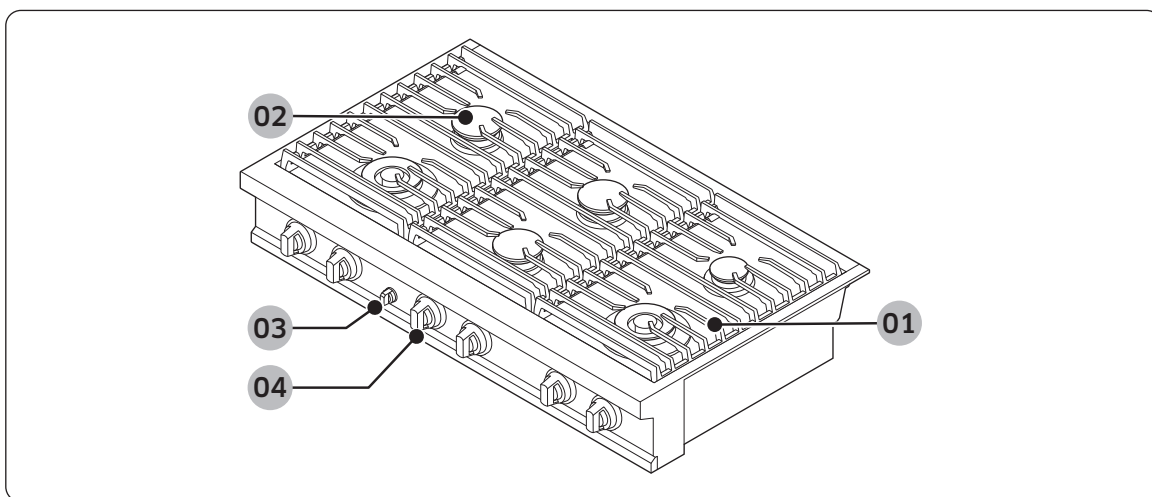
Disposición

Modelo 36": DTT36*960**



01 Rejilla	02 Quemadores superficiales
03 Perilla (chispero)	04 Perillas de los quemadores superficiales (6 piezas)

Modelo 48": DTT48*960**

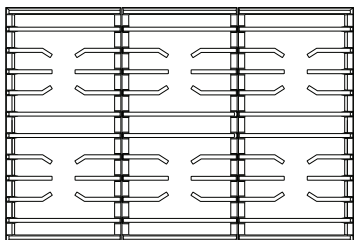


01 Rejilla	02 Quemadores superficiales
03 Perilla (chispero)	04 Perillas de los quemadores superficiales (6 piezas)

Descripción general

Qué incluye

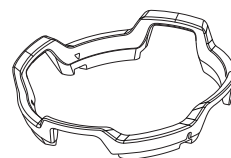
Lista de partes: DTT36*960**



Rejilla (3)

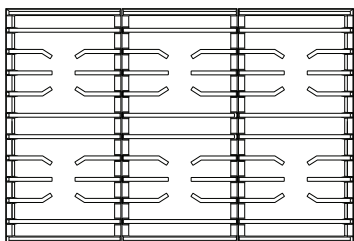


Cabezales de los quemadores (6) y tapas de quemador* (8)



Anillo para wok

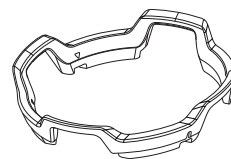
Lista de partes: DTT48*960**



Rejilla (3)



Cabezales de los quemadores (6) y tapas de quemador* (8)



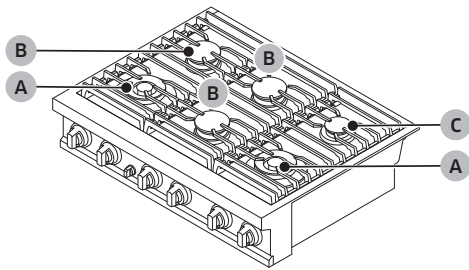
Anillo para wok

La parrilla incluye dos tipos de tapas de quemadores (latón y porcelana) que se ajustan a las preferencias del cliente.

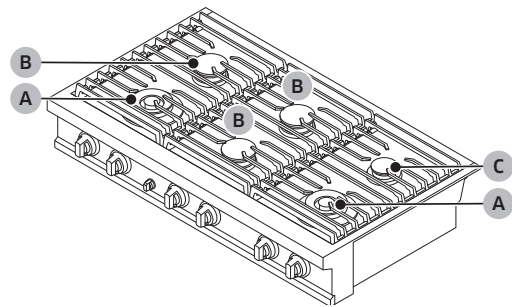
Uso de la parrilla

Quemadores

Hay tres tipos diferentes de quemadores en tu parrilla. Observa el diagrama de potencia calorífica y la ubicación a continuación. La parrilla genera una chispa para encender el quemador cuando gira la perilla hacia HIGH (Alto). Las juntas debajo de los quemadores evitan que se filtren los líquidos derramados hacia las piezas internas de la parrilla. La parrilla incluye dos juegos de tapas de quemadores, de metal y de porcelana (negro), según sus preferencias.



DTT36*960**



DTT48*960**

A	Quemador doble BTU de 22 K
B	Quemador doble apilada BTU de 16 K
C	Quemador doble apilada BTU de 9 K

Uso de la parrilla

Cada quemador es diseñado para una finalidad de cocción específica, según la tabla a continuación.

Quemador	Posición	Finalidad	Tipo de alimento
Quemador doble	Delantera derecha (RF)	Potencia calorífica/ Cocción a fuego lento	Alimentos para hervir, salsa de tomate
	Delantera izquierda (LF)		
Quemador doble apilado	Trasera izquierda (LR), Delantera central (CF), Trasera derecha (RR), Trasera central (CR)	Potencia general/ Cocción a fuego lento	Alimentos en general, guisos

Características especiales de la parrilla

Perma-Flame™

La función Perma-Flame de reencendido instantáneo enciende automática y rápidamente un quemador apagado. Con Perma-Flame, su experiencia de cocción es ininterrumpida porque la llama se reenciende al mismo nivel que cuando se apagó.

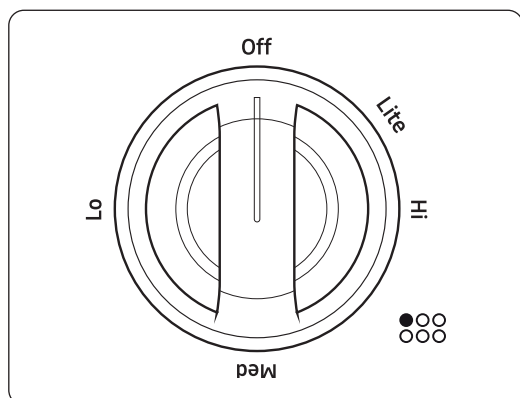
Smart Flame™

La tecnología Smart Flame reduce la temperatura debajo de las rejillas de hierro fundido recubiertas con porcelana. Smart Flame extiende la vida útil de la rejilla y protege su acabado.

SimmerSear™

Es el sistema de precisión de control de quemadores exclusivo de Dacor. Le permite cocinar con una gran variedad de ajustes de calor de la parrilla, desde hervir hasta abrasar.

Encendido



Cada perilla para el quemador superficial tiene su quemador correspondiente. La ubicación del quemador correspondiente está marcada al lado de la perilla.

Para encender un quemador, siga los pasos a continuación.

1. Presione la perilla y gírela contra reloj hacia la posición Lite. El encendedor del quemador chispeará varias veces hasta que encienda. La chispa hace un sonido de clic. El quemador debe encenderse en menos de cuatro segundos. La llama debe quemar de forma pareja alrededor del perímetro del quemador, excepto por debajo de cada rejilla, donde la altura de la llama se reduce por la función Smart Flame de Dacor. Una llama anormal es estable y de color azul. Los materiales extraños en la línea del gas, especialmente en construcciones nuevas, pueden provocar una llama naranja durante el primer uso. Este color desaparece con el uso posterior. Las pequeñas puntas amarillas al final de las llamas son normales cuando se usa gas GLP. Si un quemador no enciende, el encendedor continuará chispeando o la llama no se esparcirá de forma pareja alrededor de la tapa del quemador. Vea la **Solución de problemas** sección en la página 44.
2. Coloque los utensilios de cocina sobre la rejilla.
3. Ajuste la llama al nivel necesario para conseguir el proceso de cocción deseado.

NOTA

Cuando una perilla de quemador está en LO (Bajo), el encendedor puede continuar chispeando si el quemador está frío. El quemador dejará de chispear cuando esté caliente. Para reducir el chispeo con quemador frío, ponga la perilla en HIGH por unos 60 segundos y luego acomode la llama para cocinar. El encendedor también chispeará automáticamente si la llama se distorsiona por corriente de aire o por el sistema de ventilación doméstico. Elimine cualquier corriente de aire o reduzca la velocidad de la ventilación para reducir este problema.

Uso de la parrilla

Sugerencias

- Los alimentos se cocinan tan rápido en una ebullición suave como en una ebullición fuerte. Mantener una ebullición más alta de lo necesario gasta energía y resta humedad, sabor y nutrientes a los alimentos.
- Utilice una llama baja o media cuando cocine con utensilios de materiales que son malos conductores de calor, como vidrio, cerámica o hierro fundido. Reduzca la llama hasta que cubra aproximadamente 1/3 del diámetro del utensilio. De este modo, se asegurará de que el calentamiento sea parejo y reducirá la posibilidad de quemar los alimentos.

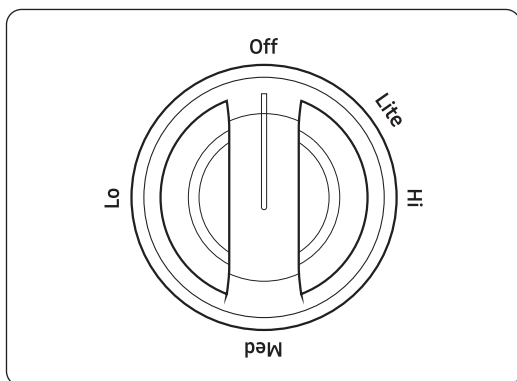
Encendido manual

Si hay una falla de energía, puede encender el quemador de forma manual. Tenga cuidado al hacerlo.

1. Sostenga un encendedor de parrilla a gas largo cerca del quemador superficial que quiere encender.
2. Presione la perilla de ese quemador y gírela hacia la posición Lite. Prenda el encendedor de parrilla a gas para encender el quemador.
3. Cuando el quemador esté encendido, gire la perilla de control para ajustar el nivel de la llama.

Nivel de la llama

Las llamas de los quemadores deben permanecer siempre debajo de los utensilios de cocina y no deben sobresalir de la base en ningún momento.



Antes de utilizar las perillas de los quemadores...

Para evitar crecimiento o reducción accidental del tamaño de las llamas, solo se deben operar las perillas de quemador con el método de pulsar y girar.

Además, tienen puntos de detención para que el usuario pueda sentirlos al girar la perilla. Al encontrarse con los puntos de detención, debe volver a utilizar el método de pulsar y girar para girar la perilla. La perilla puede girarse solo si el usuario quiere cambiar el tamaño de la llama.

Utensilios de cocina

⚠ ADVERTENCIA

- Los utensilios de cocina con base áspera pueden provocar daño permanente en las superficies recubiertas.
- Para evitar quemaduras, siempre coloque los mangos de las sartenes donde no puedan recibir golpes fácilmente. Además, los mangos no deben extenderse sobre los quemadores contiguos. Siempre apoye los utensilios de cocina suavemente sobre las rejillas y céntrelos para que estén bien balanceados.
- No los arrastre sobre las rejillas. Deslizarlos podría dañar el acabado. Levántelos para cambiar su posición. No los deje caer sobre la rejilla.
- Para evitar quemaduras o peligro de incendio, reduzca el nivel de la llama si esta se extiende por fuera de la base de los utensilios de cocina. Una llama que se extiende por los costados de los utensilios de cocina puede ser peligrosa.
- Cuando utilice ollas o recipientes de vidrio, asegúrese de que estén diseñadas para cocinar en parrillas.
- Nunca deje elementos de plástico en la parrilla. El aire caliente de la ventilación puede derretir, inflamar el plástico o causar una acumulación de presión peligrosa en los recipientes de plástico cerrados.
- Asegúrese de sostener los woks o las cacerolas pequeñas por el mango mientras cocina.

Para seguridad general y un mejor desempeño, elija los utensilios de cocina correctos para los alimentos que está cocinando. De lo contrario, es posible que la cocción sea desapareja o ineficiente.

Elija utensilios que cumplan con lo siguiente:

- Tengan bases planas y lisas, y que estén bien balanceadas.
- Tengan tapas ajustadas para evitar que salga calor, olor y vapor.
- Estén bien balanceadas y que el mango pese menos que la parte principal de la cacerola o de la sartén.

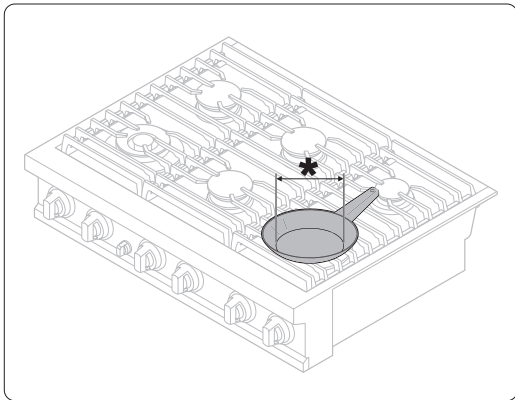


Uso de la parrilla

Características de los materiales

- **Aluminio:** un conductor de calor excelente. Algunos tipos de alimento pueden oscurecer el aluminio. Sin embargo, los utensilios de aluminio anodizado resisten las manchas y corrosiones.
- **Bronce:** un conductor de calor excelente, pero se decolora fácilmente.
- **Acero inoxidable:** un conductor de calor lento con un desempeño de cocción desparejo, pero es durable, fácil de limpiar y resiste las manchas.
- **Hierro fundido:** un mal conductor de calor, pero que retiene el calor muy bien.
- **Loza:** las características de curación dependen del material de la base.
- **Vidrio:** un conductor de calor lento. Utilice solo utensilios de cocina de vidrio diseñados para ser usados en parrillas o en el horno.

Límites de tamaño



⚠ ADVERTENCIA

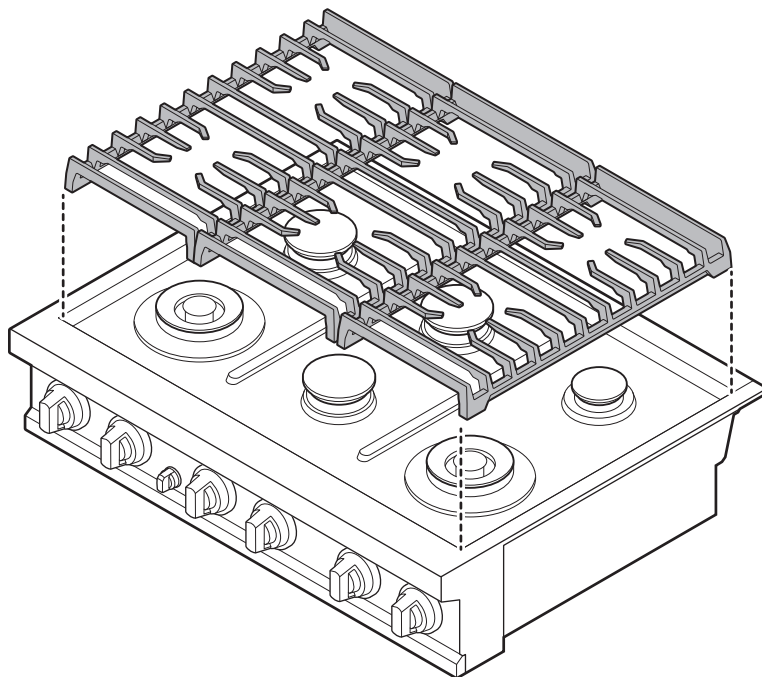
No coloque una olla o sartén pequeña con un diámetro de fondo de alrededor de 6 pulgadas o menos en la rejilla central. El utensilio de cocina puede volcarse. Utilice los quemadores traseros para los utensilios de cocina de tamaño pequeño.
*6 pulgadas o menos

Rejillas

Ubique las rejillas suavemente sobre la bandeja antiderrames. Coloque las patas de cada rejilla en los hoyuelos correspondientes.

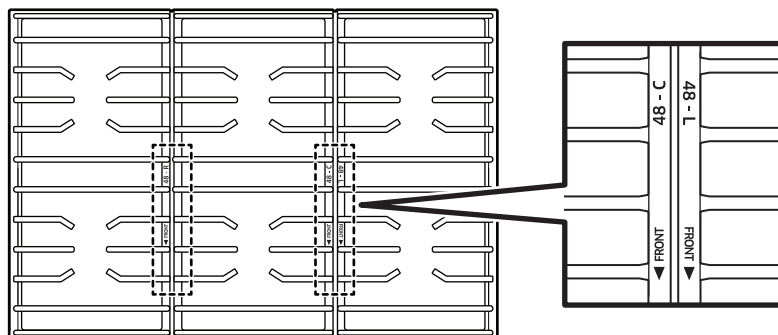
NOTA

Las rejillas son pesadas. Tenga cuidado al manipularlas.



NOTA

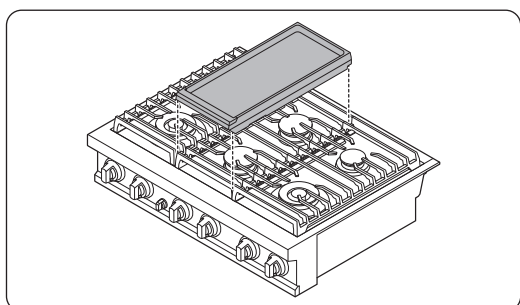
Antes de instalar las rejillas, verifique las palabras debajo. Las palabras informan donde se ubica el lado delantero y cuál es la posición adecuada de la rejilla: derecha, central o izquierda.



Uso de la parrilla

Comal (accesorios de compra adicionales)

- Antes de usar el comal por primera vez, lave con agua caliente y jabón. Luego, enjuague y deje que seque bien.
- Para mejores resultados, precaliente el comal de 3 a 5 minutos.
- Ubique el recolector de grasa del comal en la parte trasera de la parrilla.



1. Con todos los quemadores apagados y la parrilla fría al tacto, ubique el comal y la rejilla en el centro de la parrilla.
 - Los quemadores especificados son del mismo tamaño, lo que permite una cocción pareja tanto delantera como trasera.
 - Encastre las solapas de la base del pie en las esquinas interiores de la rejilla. Es normal que se produzca un ligero balanceo.
2. Presione y gire las perillas de los quemadores centrales hasta la posición de encendido (llama). El quemador se encenderá.

PRECAUCIÓN

Evite utilizar utensilios de metal sobre la superficie porque pueden rayar el recubrimiento antiadherente.

NOTA

Limpie el comal después de cada uso.

La información sobre el precalentamiento está en la tabla a continuación.

Tipo de alimento	Tiempo de precalentamiento	Ajuste de precalentamiento	Ajuste de cocción
Crepas	3-5 min.	MED-LO (Medio-bajo)	MED-LO (Medio-bajo)
Hamburguesas	3-5 min.	MED-HI (Medio-alto)	MED-HI (Medio-alto)
Huevos fritos	3-5 min.	MED-LO (Medio-bajo)	MED-LO (Medio-bajo)
Tocino	3-5 min.	MED (Medio)	MED (Medio)
Salchichas de desayuno	3-5 min.	MED (Medio)	MED (Medio)

 **PRECAUCIÓN**

- No retire el comal hasta que las rejillas, las superficies y el comal mismo se enfríen.
- El comal puede calentarse mucho cuando se usa la parrilla.
- No sobrecaliente el comal. Esto podría dañar el recubrimiento del comal.
- No utilice utensilios de metal que puedan dañar la superficie del comal.
- No utilice el comal para otros fines, como tabla para cortar o lugar de almacenamiento.
- No cocine alimentos con exceso de grasa. La grasa puede derramarse.
- El comal es bastante pesado. Utilice las dos manos cuando coloque o quite el comal.

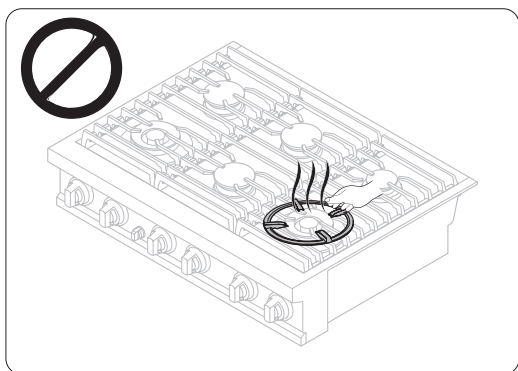
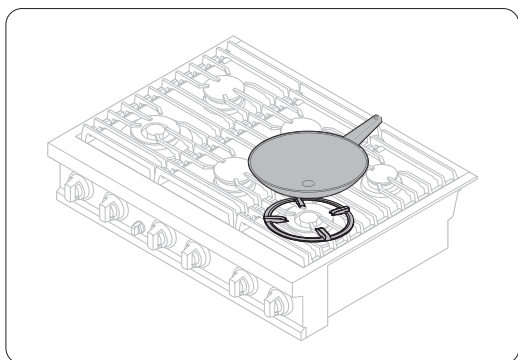
 **NOTA**

- Con el paso del tiempo, es posible que necesite modificar los ajustes de calor para el comal.
- Además, el comal podría decolorarse, ya que se desgasta con el uso.
- No permita que se acumule óxido en el comal. Si aparece óxido, quítelo lo antes posible.

Uso de la parrilla

Anillo para wok

Los woks suelen usarse para fritura de inmersión, fritura en sartén, salteado y escalfado. La rejilla incluida es apta para woks de 12 a 14 pulgadas.



1. Apague todos los quemadores y espere hasta que las rejillas se enfríen completamente.
3. Coloque el anillo para wok en la rejilla sobre el quemador delantero derecho (el quemador delantero derecho es 22K BTU).
4. Coloque un wok sobre la rejilla. Asegúrese de que esté bien apoyado en la rejilla.
5. Encienda el quemador y ajuste el nivel de llama según corresponda.

⚠ PRECAUCIÓN

- No quite el anillo para wok hasta que las rejillas de la cubierta, las superficies y el anillo mismo se enfríen.
- Cuando utilice el wok con la parrilla o el horno, es posible que el anillo que se encuentra sobre la parrilla se caliente mucho. Use guantes para hornos cuando coloque o quite el anillo para wok.
- No utilice utensilios con un fondo plano o woks con un diámetro inferior al diámetro del aro para wok. El utensilio puede volcarse.
- No utilice un wok de gran tamaño. Las llamas del quemador podrían esparcirse y causar daños en objetos cercanos.
- No utilice el anillo para wok y el comal al mismo tiempo.
- Este artefacto no está diseñado para flamear alimentos ni para cocinar con anillo para wok. Si se flamean alimentos, solo debe hacerse debajo de una campana de ventilación encendida.

Uso de la función Smart Connect

La parrilla lleva un módulo Wi-Fi incorporado que se puede utilizar para sincronizarla con la aplicación SmartThings. Esta aplicación le permite lo siguiente:

- Controlar el estado de encendido y apagado de los elementos de la parrilla.

La aplicación SmartThings puede funcionar incorrectamente si las comunicaciones Wi-Fi no funcionan (por ej., si están bloqueadas por otros artefactos electrónicos o tienen interferencia eléctrica exterior) o si instaló la parrilla donde la señal es débil (por ej., lejos de la fuente de Wi-Fi).

Conectar la parrilla

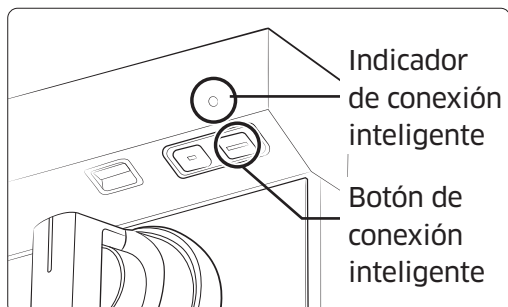
Para utilizar las funciones remotas de la parrilla, antes debe vincularla a la aplicación SmartThings.

1. Descargue y abra la aplicación SmartThings en su dispositivo inteligente.
2. Siga las instrucciones en la pantalla de la aplicación, luego presione y sostenga el botón Smart Connect durante 3 segundos.

NOTA

- El indicador LED de Smart Connect dejará de parpadear, pero quedará fijo para indicar que la conexión es exitosa.
- Si el LED de Smart Connect no aparece, siga las instrucciones de la aplicación para volver a conectar con la parrilla.

Uso de la parrilla



NOTA

El botón **Smart Connect** de la parrilla se encuentra debajo de la carcasa sobre la parrilla.

Para controlar la parrilla de forma remota:

1. Asegúrese de que el indicador LED Smart Connect esté activado. Si no lo ve, presione el botón **Smart Connect**, y luego podrá controlar la parrilla de forma remota con un dispositivo remoto conectado.
2. Elija el icono de parrilla en la aplicación SmartThings para abrir el control de la parrilla.

Botón Smart Connect encendido y apagado

Si configura Smart Connect en apagado, los dispositivos móviles no podrán conectarse a la parrilla.

Para encenderlo o apagarlo, presione el botón Smart Connect debajo de la carcasa.

NOTA

- El indicador LED Smart Connect aparece activo. El indicador queda fijo siempre que Smart Connect esté activo.
- La parrilla continuará funcionando, aunque se pierda la conexión Wi-Fi.
- Smart Connect no funcionará correctamente si la conexión de Wi-Fi es inestable.
- Consulte el manual de usuario de la aplicación SmartThings para obtener más información. También puede visitar www.dacor.com para consultar el manual de la aplicación SmartThings.

Uso de la función de control de la campana

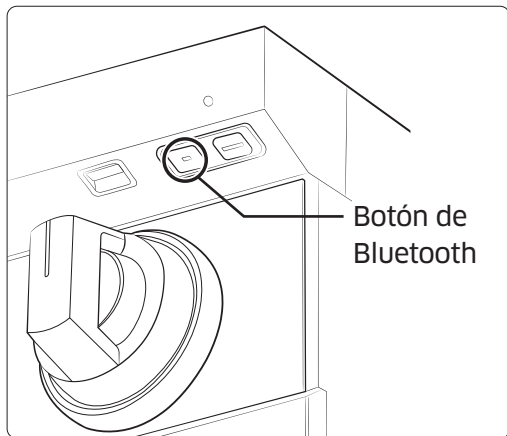
NOTA

La parrilla incluye una función Bluetooth que sirve para conectar el control de una campana extractora Dacor en ciertos modelos de campana.

Para conectar el control de campana extractora con una campana, haga lo siguiente:

1. Descargue y abra la aplicación SmartThings en su celular. Luego, complete los pasos de Smart Connect para conectar a la parrilla.
3. Siga las instrucciones Bluetooth del modelo de control de campana y active la conexión Bluetooth.
4. Presione el icono **Bluetooth**  en el panel de control de la campana. El icono LED **Bluetooth**  parpadeará.
5. Presione el botón **Bluetooth** en la parrilla. Comenzará el emparejamiento. Cuando el emparejamiento finalice, el indicador LED Bluetooth brillará de forma estable.
6. Siga las instrucciones en el manual del usuario de la parrilla y en la guía de la aplicación para controlar la campana.

Uso de la parrilla



NOTA

El botón **Bluetooth** se encuentra debajo de la carcasa sobre la perilla.

Bluetooth encendido y apagado

Presione el botón **Bluetooth** debajo de la carcasa.

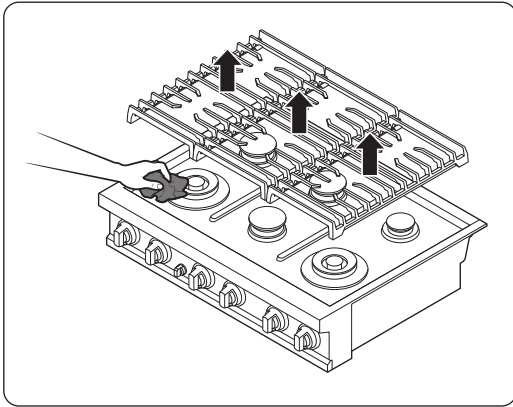
NOTA

- El LED de Bluetooth de la campana continuará siempre que el Bluetooth esté activado.
- Si la conexión no es exitosa, no puede controlar y supervisar la campana con la aplicación SmartThings.
- Si no se conecta a la parrilla, puede usar una conexión Bluetooth para emparejar la parrilla con la campana y sincronizarlas. Para hacerlo, siga los pasos de conexión Bluetooth en la página 33.
- El Bluetooth no funcionará correctamente si la conexión Bluetooth es inestable.
- Consulte el manual de la aplicación SmartThings para obtener más información.

Cuidados y mantenimiento

Limpieza de la superficie de la parrilla

Debe limpiar los derrames inmediatamente.



1. Apague todos los quemadores.
2. Cuando las rejillas se hayan enfriado lo suficiente, quítelas.
3. Limpie la superficie de la parrilla con un paño suave. Si los derrames llegan a los componentes de los quemadores, quite los componentes junto con su cabezal y limpie los derrames.
4. Cuando termine de limpiar, vuelva a montar los quemadores y a ubicar las rejillas.

Cuidados y mantenimiento

Superficies de acero inoxidable

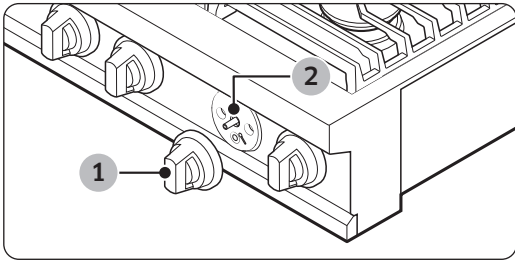
1. Limpie cualquier derrame y manchas y exceso de grasa usando un paño suave húmedo.
2. Use un limpiador aprobado para acero inoxidable a un paño o toalla de papel.
3. Limpie un área a la vez, frotando en el sentido del vetado del acero inoxidable, de ser posible.
4. Seque la superficie con un paño suave y seco.
5. Repita los pasos 2 a 4 según sea necesario.

PRECAUCIÓN

- No utilice productos (por ej., paños de lana de acero, espátulas afiladas, limpiadores abrasivos, lejía cáustica o hidróxido sódico) que puedan provocar imperfecciones en el acero y dañar los componentes.
- No retire la superficie de la parrilla para limpiarla. Las líneas de gas que llegan a las válvulas de los quemadores pueden dañarse y provocar un incendio o una falla en el funcionamiento.
- No vierta agua en la parrilla. El agua puede gotear dentro de los sistemas eléctrico y de gas, y generar un peligro de descarga eléctrica o niveles altos de monóxido de carbono (CO) en caso de que haya válvulas o puertos de gas corroídos.
- No rocíe ningún tipo de limpiador dentro de los agujeros de las válvulas. El sistema de encendido interior debe permanecer seco.

Perillas de control

Apague todas las perillas de los quemadores.



01 Sujete cada perilla y tire hacia atrás para quitarlas.

02 Protector de derrames. No quitar.

1. Retire las perillas de sus vástagos de válvula.
2. Limpie las perillas con agua caliente y jabón, enjuague y seque minuciosamente.
3. Limpie las superficies de acero inoxidable usando un limpiador de acero inoxidable.
4. Vuelva a acoplar las perillas a los vástagos de válvula en la posición **Off**.

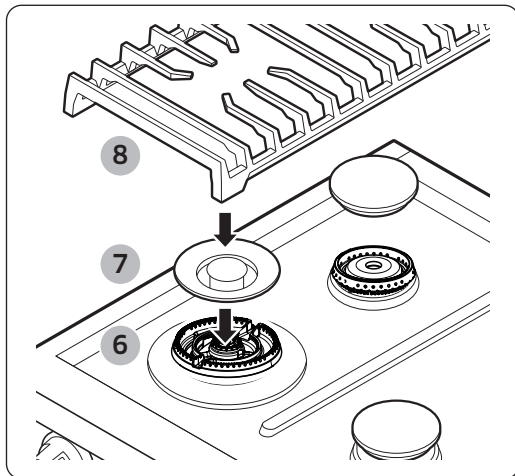
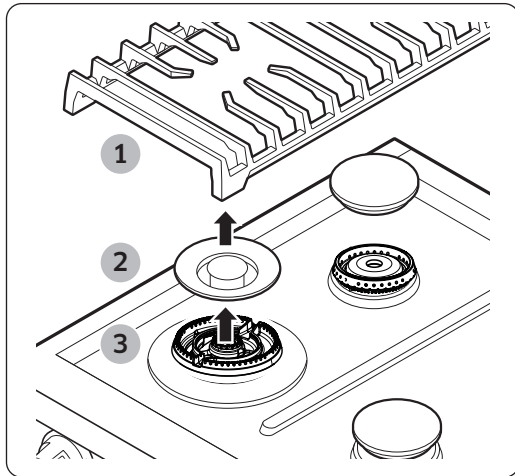
PRECAUCIÓN

- No limpie las perillas de control en un lavavajillas.
- No rocíe los limpiadores directamente sobre el panel de control. La humedad que ingresa en los circuitos eléctricos puede provocar una descarga eléctrica o dañar el producto.

Cuidados y mantenimiento

Rejillas de los quemadores y sus componentes

Apague todos los quemadores superficiales y asegúrese de que se hayan enfriado.



1. Quite las rejillas de los quemadores.
2. Quite las tapas de los quemadores de los cabezales.
3. Quite los cabezales de los quemadores de las válvulas hasta ver los electrodos de inicio.
4. Limpie las rejillas y los componentes de los quemadores con agua caliente y jabón. (no utilice paños de lana de acero ni limpiadores abrasivos).
5. Enjuague y seque minuciosamente las rejillas y los componentes de los quemadores.
6. Vuelva a acoplar los cabezales de los quemadores y asegúrese de colocar un electrodo de inicio en los agujeros de cada cabezal.

NOTA

Consulte las páginas 41-43 para obtener más información sobre cómo acoplar los componentes de los quemadores.

7. Vuelva a acoplar los componentes de los quemadores restantes y asegúrese de que la tapa quede nivelada sobre los cabezales.
8. Vuelva a instalar las rejillas de los quemadores en sus respectivas posiciones.
9. Encienda cada quemador para verificar que funcione correctamente y luego, apáguelo.

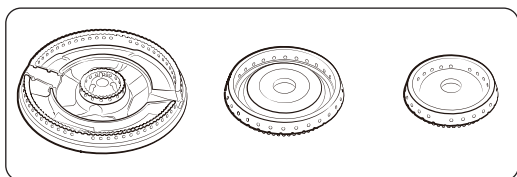
Tapas y cabezales de los quemadores

NOTA

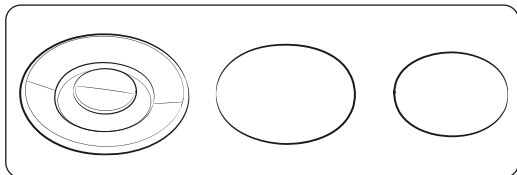
Antes de quitar las tapas y cabezales de los quemadores, recuerde su tamaño y ubicación. Vuelva a colocarlos en la misma posición después de su limpieza. Lave las tapas y los cabezales de los quemadores con agua caliente y jabón, y enjuague con agua corriente limpia. Puede fregar con una almohadilla de plástico para quitar las partículas de comida quemadas. Utilice una aguja de coser o un sujetapapeles para destapar los agujeros pequeños de los cabezales de los quemadores, de ser necesario.

PRECAUCIÓN

- No lave ninguna parte de los quemadores en un lavavajillas.
- No utilice lana de acero ni polvos limpiadores en los quemadores.



Cabezal de latón de quemador



Tapas de latón de quemador

NOTA

- Las partes de latón de sus quemadores cambiarán su color. Sin embargo, esto no afectará su rendimiento.
- Luego de limpiar, verifique que los puertos de los quemadores estén destapados.
- Puede intercambiar las tapas del quemador originales por tapas de porcelana, si lo desea.
- Para quitar grasa quemada, sumerja la tapa de latón del quemador en una taza con agua y una cucharada de vinagre blanco o una cucharada de jugo de limón. No utilice un cepillo metálico para limpiarla. Esto podría dañar las partes de latón.

Cuidados y mantenimiento

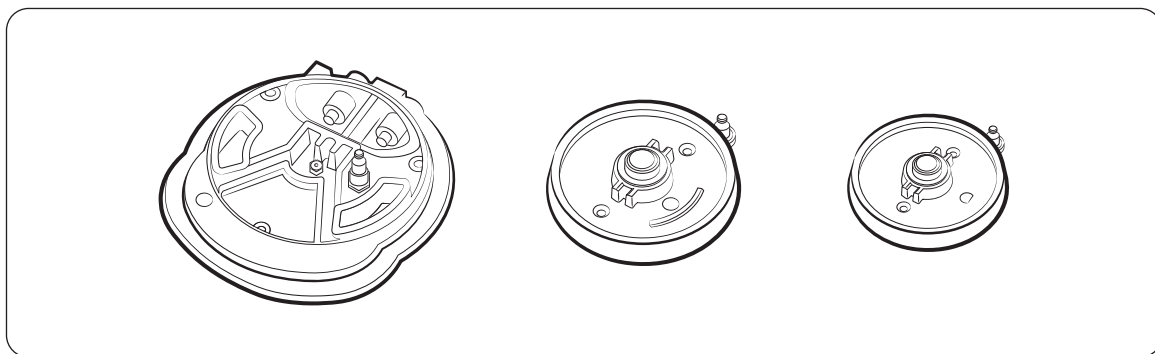
Bases de los quemadores

⚠ PRECAUCIÓN

Las bases de los quemadores no son extraíbles. No intente desmontarlas.

Asegúrese de que no ingrese agua en las bases de los quemadores ni en los orificios de gas de latón.

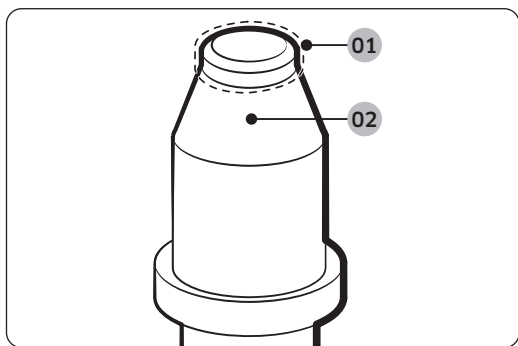
Pase un trapo húmedo con cuidado, para no dañar ni deformar las bases. Asegúrese de que las bases estén completamente secas antes de usar la parrilla.



Electrodos

⚠ PRECAUCIÓN

No intente quitar el electrodo de la parrilla ni de las bases de los quemadores.



01 Parte de metal: limpie esta parte de metal

03 Parte de cerámica blanca: no limpie esta parte de cerámica blanca con una lima de uñas.

Nunca debe cocinar mientras limpia la parrilla.

Asegúrese de que los electrodos de cerámica blanca estén limpios y secos. Limpie la parte de metal con un paño suave. No limpie los encendedores con agua.

Antes de montar los quemadores superficiales, presione suavemente cada uno de los electrodos de cerámica blanca para asegurarse de que estén apretados contra las bases de los quemadores.

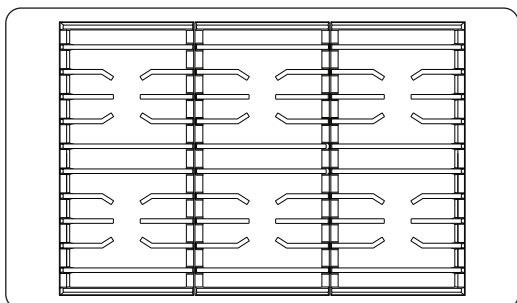
📖 NOTA

No intente quitar el electrodo de la parrilla.

Rejillas y anillo para wok

⚠ PRECAUCIÓN

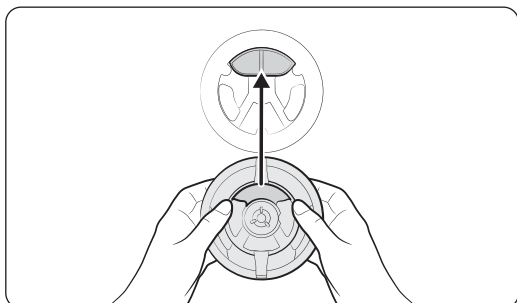
No limpie las rejillas o el anillo para wok en el lavavajillas. Esto los dañaría.



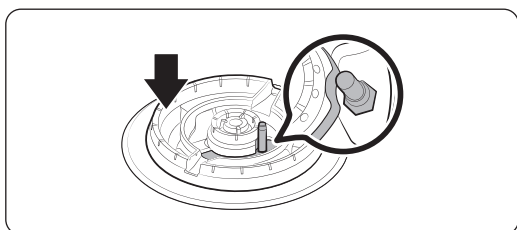
Debe limpiar las rejillas regularmente y luego de un derrame. No son aptas para lavavajillas. Para limpiar las rejillas, espere que estén frías al tacto, luego quítelas de la parrilla y lávelas con agua caliente y jabón. Enjuague con agua y seque minuciosamente. Vuelva a posicionar las rejillas como se instruye en este manual.

Reemplazo de cabezales y tapas de los quemadores

Tapas y cabezales de quemadores dobles

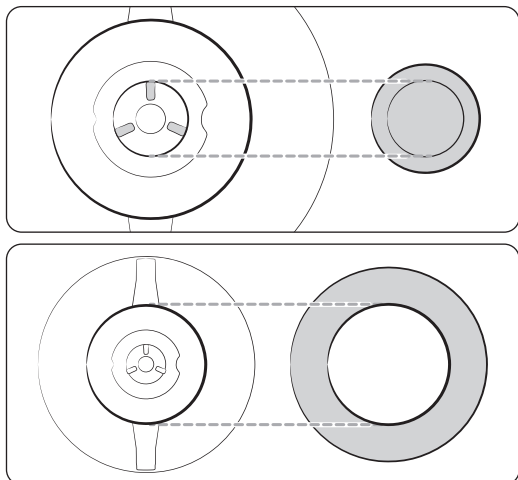


1. Oriente el cabezal del quemador de modo que la abertura para el electrodo esté alineada con el electrodo.



2. Instale el cabezal del quemador de modo que el electrodo pase por la abertura del cabezal. Verifique que el cabezal del quemador quede plano sobre la parrilla.

Cuidados y mantenimiento

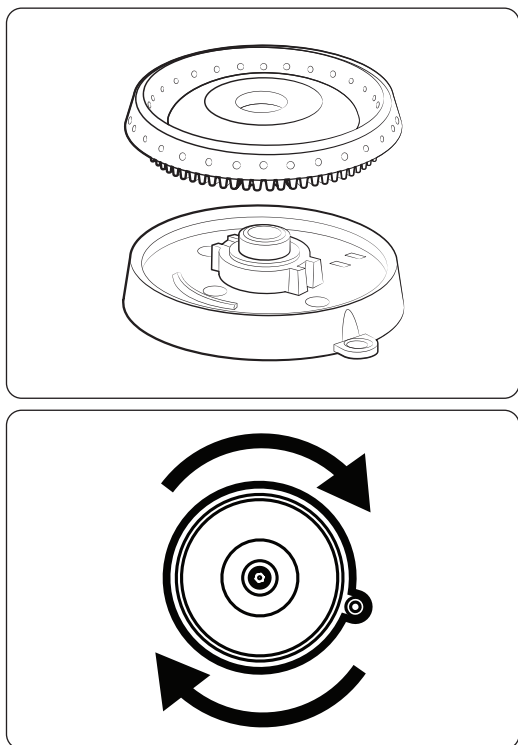


3. Empareje las tapas con los quemadores de acuerdo a su tamaño, luego instale las tapas en los cabezales.

⚠ PRECAUCIÓN

Cada tapa encaja en un cabezal de quemador específico. Verifique que cada tapa esté instalada y nivelada sobre el cabezal correcto.

Tapas y cabezales de los quemadores redondos



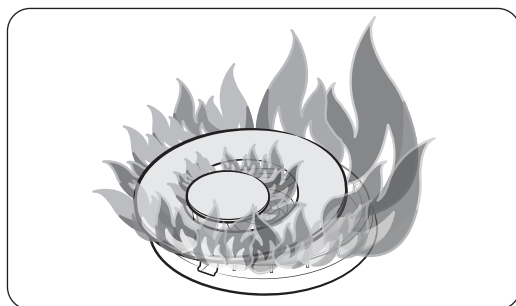
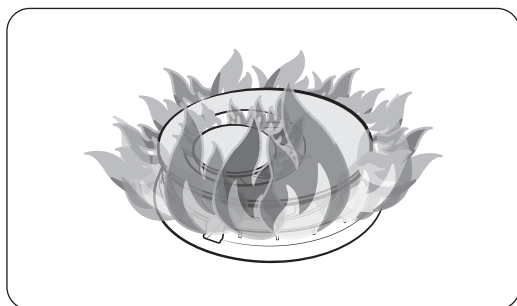
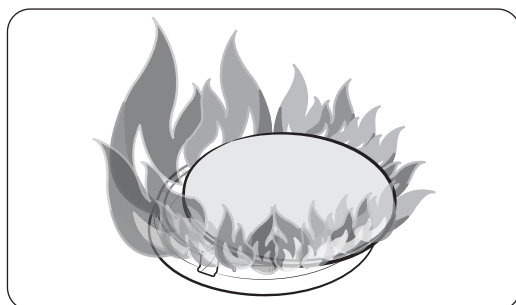
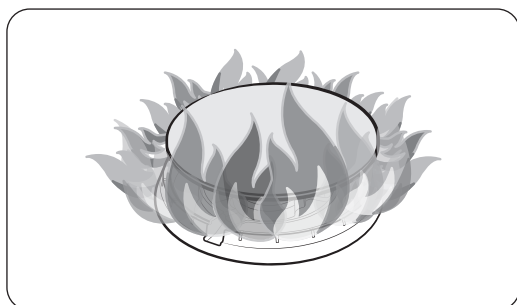
1. Coloque los cabezales de los quemadores sobre sus bases, como se muestra a la izquierda. La parte inferior del cabezal encaja sobre la base del quemador.
2. Gire el cabezal hasta que encaje en su lugar. Gire cada cabezal en sentido de las agujas del reloj y contra reloj para asegurarse de que encaje correctamente.
3. Coloque las tapas del quemador (latón o porcelana) sobre los anillos del quemador. El puente que rodea el inferior de la tapa encaja alrededor de la parte superior del anillo.

⚠ PRECAUCIÓN

Verifique que todos los componentes estén seguros en su lugar. Si algún componente está desalineado, desarme y vuelva a instalar los componentes mal instalados.

 **NOTA**

Luego de instalar los quemadores, verifique que funcionen correctamente. Los componentes mal instalados pueden causar un mal encendido o llamas desparejas (como se muestra en la imagen).



Solución de problemas

Si la parrilla funciona mal, antes de llamar al servicio técnico, revise las tablas de esta sección para obtener una posible solución del problema.

Puntos de control

Seguridad del gas

Problema	Causa posible	Acción
Si hay olor a gas.	La perilla del quemador superficial no está en la posición Off y el quemador no está encendido.	Gire la perilla del quemador hacia Off .
	Hay una pérdida de gas	<ul style="list-style-type: none">• Retire a todos los ocupantes de la habitación, edificio o zona.• Llame inmediatamente a su proveedor de gas desde la casa de un vecino. Su propio teléfono puede provocar una chispa que enciende el gas. Siga las instrucciones del proveedor de gas.• Si no puede comunicarse con el proveedor de gas, llame al departamento de bomberos.

Quemador superficial

Problema	Causas posibles	Acción
No todos los quemadores encienden.	La parrilla está desenchufada.	Asegúrese de que el cable de alimentación esté enchufado a un tomacorriente activo con conexión a tierra.
	Un fusible se puede haber fundido; el disyuntor puede haber saltado.	Reemplace el fusible o reinicie el disyuntor.
	El suministro de gas no está conectado o encendido correctamente.	Vea las instrucciones de instalación de su parrilla.
Los quemadores superficiales no encienden.	La perilla de control no está configurada correctamente.	Presione la perilla y gírela hacia la posición Lite.
	<ul style="list-style-type: none"> Las tapas del quemador no están en su lugar. La base del quemador está desalineada. 	<ul style="list-style-type: none"> Limpie los electrodos. Coloque el cabezal del quemador sobre su base. Alinee la base del quemador.
Un quemador superficial hace clic durante la operación.	La perilla de control se dejó en la posición Lite.	Luego de que el quemador se encienda, gire la perilla de control a la configuración deseada. Si el quemador sigue cliqueando, contáctese con un técnico de servicio.
Los quemadores no queman parejo.	Los componentes de los quemadores no están ensamblados correctamente.	Páginas de revisión 41-43 .
	Los quemadores están sucios.	<ul style="list-style-type: none"> Limpie los componentes de los quemadores. Páginas de revisión 38, 39, 41.
Llamas muy grandes o amarillas en los quemadores superficiales.	Se instaló el orificio incorrecto del quemador.	Verifique el tamaño del orificio del quemador y contáctese con su instalador si tiene el orificio incorrecto (gas GLP en vez de gas natural o viceversa).

Garantía y servicio técnico

Garantía

Lo que cubre

CERTIFICADO DE GARANTÍA PARRILLAS DACOR

DENTRO DE LOS CINCUENTA ESTADOS DE EE. UU., EL DISTRITO DE COLUMBIA Y CANADÁ:

DOS AÑOS COMPLETOS DE GARANTÍA

La garantía aplica solo al artefacto Dacor vendido al primer usuario comprador, y comienza en la fecha de la compra original o la fecha de finalización de una nueva construcción, según qué periodo sea más largo. La garantía es válida para productos comprados nuevos en un distribuidor Dacor u otro vendedor autorizado por Dacor.

Si su producto Dacor tiene fallas en su funcionamiento dentro de un año de la fecha original de compra, debido a defectos en el material o fabricación, Dacor lo solucionará sin costo.

Todos los daños estéticos (como rayas en el acero inoxidable, manchas en la pintura y porcelana, etc.) en el producto o los accesorios incluidos deben ser informados a Dacor dentro de los 60 días de la fecha original de compra para calificar en la cobertura de la garantía. Las partes consumibles como los filtros y las bombillas no están cubiertas y son responsabilidad del comprador.

LIMITACIONES DE LA COBERTURA

El servicio técnico será realizado por una compañía de servicio técnico designada por Dacor durante horarios hábiles. Los proveedores de servicio técnico son entidades independientes y no son agentes de Dacor.

Los productos de exposición del distribuidor y de la casa modelo con una fecha de fabricación mayor a 5 años, los productos vendidos "Tal cual" y los productos instalados para uso no residencial (incluidos, entre otros, usos en organizaciones religiosas, estaciones de bomberos, pensiones y spas) poseen una garantía de partes solo por un año. Todas las tarifas de envío, instalación, mano de obra y demás tarifas de servicio son responsabilidad del comprador.

La garantía es nula e inválida si un producto fue alterado, desfigurado o le faltan números de serie o etiquetas.

El dueño debe presentar pruebas de la compra o declaración de finalización de nueva construcción, según sea requerido. Todos los productos Dacor deben estar disponibles para el servicio técnico.

La garantía es nula e inválida si un producto no ETL y no CUL aprobado es transportado desde EE. UU.

FUERA DE LOS CINCUENTA ESTADOS DE EE. UU., EL DISTRITO DE COLUMBIA Y CANADÁ:

DOS AÑOS LIMITADOS DE GARANTÍA

Si su producto Dacor presenta fallas en su funcionamiento dentro de los dos años de la fecha original de compra, debido a defectos en el material o fabricación, Dacor hará el reemplazo por una nueva parte, F.O.B a la fábrica.

Todas las tarifas de envío, instalación, mano de obra y demás tarifas de servicio son responsabilidad del comprador.

Lo que no cubre

- Se pueden observar leves variaciones del color debido a diferencias en las partes pintadas, la luz de la cocina, la colocación del producto y demás factores. Esta garantía no aplica para variaciones del color.
- Las llamadas del servicio técnico para educar al cliente sobre el uso y el cuidado adecuados del producto.
- Las tarifas del servicio técnico por viajes a islas y zonas remotas; que incluyen, pero no se limitan a, transbordadores, autopistas u otros gastos de viaje.
- El daño consecuente o incidental; que incluye, pero no se limita a, pérdida de alimentos o medicamentos, licencia laboral o comidas de restaurantes.
- Las fallas del producto por uso comercial, empresarial, de arriendo o cualquier otra aplicación fuera del uso de cliente residencial.
- Las fallas del producto provocadas por la instalación inadecuada.
- El reemplazo de fusibles domésticos, cajas de fusibles o el reinicio de disyuntores.
- El daño al producto provocado por accidentes, incendios, inundaciones, cortes eléctricos, sobrecargas eléctricas y otros actos de Dios.
- La obligación o responsabilidad por daños del entorno de la propiedad como ebanistería, pisos, techos u otras estructuras u objetos alrededor del producto.
- La rotura, decoloración o daño a vidrio, superficies metálicas, componentes plásticos, recortes, pintura u otros acabados estéticos provocados por el uso y el cuidado inadecuados, el abuso o la negligencia.

Fuera de garantía

Si tiene un problema técnico fuera del período estándar de garantía, contáctenos. Dacor evalúa cada problema y preocupación del cliente para brindar la mejor solución posible según las circunstancias.

Garantía y servicio técnico

LAS SOLUCIONES PROVISTAS EN LAS GARANTÍAS EXPRESAS MÁS ARRIBA, SON LAS ÚNICAS Y EXCLUSIVAS SOLUCIONES. POR LO TANTO, NO SE REALIZAN OTRAS GARANTÍAS EXPRESAS. FUERA DE LOS CINCUENTA ESTADOS DE ESTADOS UNIDOS, EL DISTRITO DE COLUMBIA Y CANADÁ, TODAS LAS GARANTÍAS IMPLÍCITAS; QUE INCLUYEN, PERO NO SE LIMITAN A, CUALQUIER GARANTÍA IMPLÍCITA DE COMERCIALIZACIÓN O APTITUD PARA UN USO O FINALIDAD PARTICULAR, TIENEN UNA DURACIÓN LIMITADA DE UN AÑO DESDE LA FECHA ORIGINAL DE COMPRA. EN NINGUNA CIRCUNSTANCIA DACOR SERÁ RESPONSABLE POR GASTOS INCIDENTALS O DAÑOS CONSECUENTES. EN EL CASO DE QUE DACOR PREVALEZCA EN CUALQUIER DEMANDA, DACOR TENDRÁ LA FACULTAD DE SER REEMBOLSADO POR TODOS LOS COSTOS Y GASTOS, INCLUIDAS LAS TARIFAS DEL ABOGADO, POR EL CLIENTE DE DACOR. NO SE REALIZAN GARANTÍAS, EXPRESAS O IMPLÍCITAS, A NINGÚN VENDEDOR PARA REVENTA.

Algunos estados no permiten limitaciones sobre la duración de la garantía, o no permiten la exclusión o limitación de daños inconsecuentes, por lo que las limitaciones o exclusiones anteriores no aplicarían en su caso. Esta garantía menciona sus derechos legales específicos, además de otros derechos que pueda tener y varíen según el estado.

Anexo

Nombre del modelo y número de serie

Tanto el nombre del modelo como el número de serie están etiquetados en el lado derecho del producto.

Anote la información en esta página para uso posterior.

Nombre del modelo _____

Número de serie _____

Anuncio de software libre

El software incluido en este producto incluye software libre. Puede obtener el código de fuente completo correspondiente por un período de tres años desde el último envío de este producto si envía un correo electrónico a <mailto:oss.request@samsung.com>.

También es posible obtener el código de fuente completo correspondiente en un medio físico como un CD-ROM y se le cobrará un cargo mínimo.

La siguiente dirección URL http://opensource.samsung.com/opensource/OVEN_HKM_TZ/seq/0 lo lleva a la página de descarga del código fuente disponible y de la información de la licencia de software libre relacionada con este producto. Esta oferta es válida para quien reciba esta información.



NOTAS

dacor

Dacor • Teléfono: 833-353-5483(EE. UU.), 844-509-4659(Canadá). • www.dacor.com

dacor

Manuel d'utilisation

Cuisinière

DTT48*960**/DTT36*960**



DG68-01474A-01

⚠ AVERTISSEMENT

Ne faites jamais fonctionner la surface de cuisson supérieure de cet appareil sans surveillance

- **Ne pas tenir compte de cet avertissement peut causer un incendie, une explosion ou vous exposer à un risque de brûlure pouvant entraîner des dégâts matériels, des blessures ou la mort.**
- **En cas d'incendie, éloignez-vous de l'appareil et appelez immédiatement les pompiers.**

N'ESSAYEZ PAS D'ÉTEINDRE UN FEU D'HUILE OU DE GRAISSE AVEC DE L'EAU.

AVERTISSEMENT : Le non-respect des informations contenues dans ce manuel peut provoquer un incendie ou une explosion et entraîner des dommages matériels, des blessures ou la mort.

- Veillez à **NE PAS** conserver ni utiliser d'essence ou d'autres vapeurs ou liquides inflammables près de cet appareil ou de tout autre appareil.
- **QUE FAIRE SI VOUS SENTEZ UNE ODEUR DE GAZ**
 - **NE PAS** essayer de mettre en marche un appareil.
 - **NE PAS** toucher aux interrupteurs électriques.
 - **NE PAS** utiliser de téléphone dans votre bâtiment.
 - Appelez immédiatement votre fournisseur de gaz depuis le téléphone d'un voisin et suivez les instructions du fournisseur de gaz.
 - Si votre compagnie de gaz n'est pas joignable, appelez les pompiers.
- L'installation et l'entretien doivent être effectués par un installateur qualifié, un organisme de service ou la compagnie de gaz.

Avis réglementaire

1. Avis relatif à l'appareil radio

ATTENTION

Tous les changements ou modifications qui ne sont pas expressément approuvés par la partie responsable de la conformité peuvent annuler le droit de l'utilisateur de se servir de l'équipement.

L'équipement de communication à distance installé sur ce produit est conforme à la section 15 des règlements de la FCC ainsi qu'à la norme RSS d'exemption de licence d'Innovation, Science et Développement économique Canada. L'utilisation est soumise aux deux conditions suivantes :

- 1)** Cet équipement ne doit pas causer d'interférences néfastes, et
- 2)** Cet équipement doit accepter toute interférence reçue, y compris celles pouvant provoquer un fonctionnement non souhaité.

Pour les produits disponibles sur les marchés américains/canadiens, seuls les canaux 1~11 sont disponibles. Vous ne pouvez pas sélectionner d'autres canaux.

1. DÉCLARATION relative à l'appareil radio :

Cet appareil a été testé et déclaré conforme aux limites pour appareils numériques de classe B, selon la section 15 des règlements de la FCC et la norme canadienne ICES-003. Ces limites sont conçues pour fournir une protection raisonnable contre les interférences nuisibles dans une installation résidentielle.

Avis réglementaire

Cet équipement génère, utilise et peut émettre de l'énergie de fréquence radio et, s'il n'est pas installé et utilisé conformément aux instructions, peut causer des interférences nuisibles aux communications radio. Cependant, il n'y a aucune garantie que des interférences ne se produiront pas dans une installation particulière. Si cet équipement provoque des interférences nuisibles à la réception de la radio ou de la télévision, ce qui peut être déterminé en éteignant et en rallumant l'équipement, il est recommandé à l'utilisateur d'essayer de corriger ces interférences en prenant une ou plusieurs des mesures suivantes :

- Réorienter ou déplacer l'antenne de réception
- Augmenter la distance entre l'appareil et le récepteur
- Connecter l'équipement à une prise de courant située sur un circuit différent de celui de la radio ou de la télévision
- Consulter le revendeur ou un technicien radio/TV expérimenté pour obtenir de l'aide.

DÉCLARATION SUR L'EXPOSITION AU RAYONNEMENT :

Cet équipement est conforme aux limites de la FCC et RSS-102 de l'IC établies pour un environnement non contrôlé. Cet équipement doit être installé et utilisé de manière à ce qu'il y ait au moins 20 cm (8 po) entre le radiateur et votre corps. Cet appareil et son/ses antenne(s) ne doivent pas être colocalisés ou utilisés en conjonction avec une autre antenne ou un autre émetteur.



À nos clients fidèles :

Nous vous félicitons d'avoir acheté les tout derniers produits Dacor! La combinaison unique de nos caractéristiques, de notre style et de nos performances fait de nous un atout majeur pour votre maison.

Dans le but de vous familiariser avec les commandes, les fonctions et le plein potentiel de votre nouvel appareil Dacor, lisez attentivement ce manuel d'utilisation et d'entretien, en commençant par la section **Avant de commencer**.

Tous les appareils Dacor sont conçus et fabriqués avec qualité et fierté, tout en travaillant dans le cadre des valeurs de notre entreprise. En cas de problème avec votre appareil, consultez d'abord la section Dépannage de ce manuel pour vous guider. Vous y trouverez des suggestions et des solutions utiles avant d'appeler le service après-vente.

Les précieux commentaires de nos clients nous aident à améliorer continuellement nos produits et services. N'hésitez donc pas à contacter notre équipe du service clientèle pour obtenir de l'aide sur n'importe quel produit.

Assurance client de Dacor

- **États-Unis**
Samsung Electronics America, Inc.
85 Challenger Road
Ridgefield Park, NJ 07660
- **Canada**
Samsung Electronics Canada Inc.
2050 Derry Road West, Mississauga,
Ontario L5N 0B9 Canada

Numéro de téléphone : 833-353-5483 (États-Unis), 844-509-4659 (Canada)

Heures d'ouverture : Du lundi au vendredi, de 8 h à 20 h, heure du Pacifique

Site Internet : www.dacor.com

Merci d'avoir choisi Dacor pour votre maison. Nous sommes une entreprise créée par des familles pour des familles, et nous nous engageons à servir la vôtre. Nous sommes convaincus que votre nouveau produit Dacor vous apportera un haut niveau de performance et de plaisir pendant de nombreuses années.

Cordialement,

The Dacor Customer Assurance Team

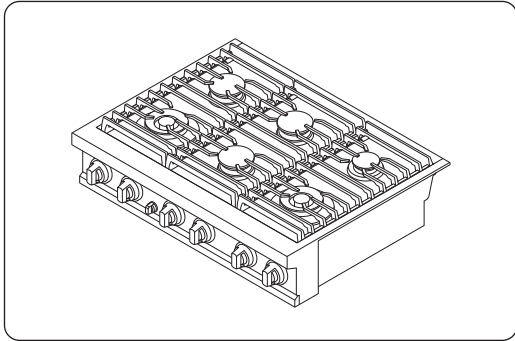
Table des matières

Avant de commencer	8
Important	8
À propos de ce manuel	8
Remarque importante destinée à l'installateur	8
Remarque importante destinée à l'utilisateur	9
Remarque importante à l'intention du réparateur	9
Consignes de sécurité importantes	10
Lisez toutes les instructions avant d'utiliser cet appareil	10
Symboles utilisés dans ce manuel	10
Avertissement relatif à la proposition 65 de l'État de Californie	10
Commonwealth du Massachusetts	10
Sécurité générale	11
Sécurité incendie	12
Sécurité en matière de gaz	13
Sécurité électrique et mise à la terre	14
Sécurité de l'installation	15
Sécurité en matière d'emplacement	16
Sécurité de la cuisinière	17
Utilisation en zone de haute altitude	18
Vue d'ensemble	19
Disposition	19
Ce qui est inclus	20
Utilisation de la cuisinière	21
Brûleurs	21
Caractéristiques spéciales de la cuisinière	22
Allumage	23
Ustensiles de cuisine	25
Grilles	27
Grill (accessoires supplémentaires)	28
Anneau de wok	30
Utilisation de la fonction Smart Connect	31
Utilisation de la fonction de contrôle de la hotte	33

Entretien et maintenance	35
Nettoyage de la surface de la cuisinière	35
Surfaces en acier inoxydable	36
Boutons de commande	37
Grilles et composants des brûleurs	38
Capuchons et têtes de brûleur	39
Bases du brûleur	40
Électrodes	40
Grilles et anneau de wok	41
Remplacement de la tête et du chapeau du brûleur	41
Dépannage	44
Points de contrôle	44
Garantie et réparation	46
Garantie	46
Annexe	49
Nom du modèle et numéro de série	49
Annonce Open Source	50

Avant de commencer

Important



- La conception générale et/ou les accessoires peuvent différer selon le modèle.

Installateur

- Pour des raisons de sécurité et pour minimiser les problèmes, lisez attentivement ce manuel avant de commencer l'installation. Laissez ce manuel à l'utilisateur.
- Inscrivez les numéros de modèle/ de série de l'appareil dans ce manuel pour pouvoir vous y référer en cas d'entretien ou de réparation.

Utilisateur

- Conservez ce manuel pour votre référence personnelle et celle des inspecteurs, du personnel de service, etc.

À propos de ce manuel

LISEZ ENTièrement ET ATTENTIVEMENT CES INSTRUCTIONS.

Remarque importante destinée à l'installateur

- Lisez toutes les instructions contenues dans ces instructions d'installation avant d'installer l'appareil.
- Retirez tous les matériaux d'emballage des compartiments de l'appareil avant de raccorder l'alimentation électrique et en gaz à l'appareil.
- Respectez tous les codes et ordonnances en vigueur.
- Assurez-vous de laisser ces instructions à l'utilisateur.
- L'installation de cet appareil requiert des compétences mécaniques de base.
- L'installateur est responsable de toute mauvaise installation.
- La défaillance du produit due à une mauvaise installation n'est pas couverte par la garantie.

Remarque importante destinée à l'utilisateur

Conservez ces instructions avec votre manuel d'utilisation pour référence future.

- Comme pour l'utilisation de tout appareil générant de la chaleur, vous devez respecter certaines précautions de sécurité.
- Assurez-vous que votre appareil est installé et mis à la terre correctement par un installateur ou un technicien qualifié.
- Assurez-vous que les revêtements muraux autour de la cuisinière peuvent résister à la chaleur générée par l'appareil.
- L'espace de rangement au-dessus des brûleurs de la cuisinière doit être d'au moins 76,2 cm (30 po).

Remarque importante à l'intention du réparateur

Le schéma électrique se trouve à l'intérieur du boîtier du brûleur.

Consignes de sécurité importantes

Lisez toutes les instructions avant d'utiliser cet appareil

- Tout appareil électrique et à gaz comportant des pièces mobiles peut être dangereux. Lisez attentivement les informations importantes relatives à la sécurité dans ce manuel. Les instructions doivent être suivies pour minimiser les risques de dommages matériels, de blessures ou de décès.
- Conservez ce manuel dans un endroit facilement accessible afin de pouvoir vous y référer en cas de besoin.

Symboles utilisés dans ce manuel

AVERTISSEMENT

Risques ou manipulations dangereuses susceptibles d'entraîner des blessures graves, voire mortelles.

ATTENTION

Risques ou manipulations dangereuses pouvant entraîner une électrocution, des blessures ou des dégâts matériels.

REMARQUE

Conseils et instructions utiles

Ces icônes et symboles d'avertissement sont destinés à prévenir les dommages matériels et les blessures corporelles. Respectez-les scrupuleusement.

Avertissement relatif à la proposition 65 de l'État de Californie

AVERTISSEMENT

Cancer et troubles de la fertilité - www.P65Warnings.ca.gov

Commonwealth du Massachusetts

Ce produit doit être installé par un plombier agréé ou un installateur de gaz qualifié ou agréé par l'État du Massachusetts. Lorsque vous utilisez des vannes à bille pour couper le gaz, il faut utiliser le type à poignée en T. Il est interdit de raccorder en série plusieurs conduites de gaz flexibles.

Sécurité générale

AVERTISSEMENT

Pour réduire les risques d'incendie, d'électrocution, de blessures corporelles et/ou de décès, respectez les précautions suivantes.

- **Ne touchez pas** aux surfaces, composants ou mécanismes de l'appareil pendant ou immédiatement après la cuisson.
- **Apprenez** où et comment fermer la valve qui alimente l'appareil en gaz.
- **Ne laissez pas les enfants s'approcher** de l'appareil. Ne laissez pas les enfants jouer avec l'appareil ou avec une ou plusieurs de ses parties. Ne laissez pas les enfants sans surveillance dans la cuisine lorsque l'appareil est en marche. Pour des raisons de sécurité, nous vous recommandons d'utiliser la fonction de verrouillage des commandes et des portes.
- **Retirez** tous les emballages avant d'utiliser l'appareil afin d'éviter que ce matériel ne prenne feu. Conservez tous les emballages hors de portée des enfants. Jetez l'emballage de façon appropriée dès que la cuisinière est déballée.
- **Ne laissez pas** d'objets susceptibles d'intéresser les enfants au-dessus ou à proximité de l'appareil.
- **N'utilisez pas** la cuisinière si elle est endommagée de quelque manière que ce soit, si elle fonctionne mal ou s'il manque des pièces.
- **N'utilisez pas** la cuisinière comme chauffage d'appoint. Utilisez la cuisinière uniquement pour la cuisson.
- **Utilisez** uniquement des maniques sèches.
- **N'utilisez pas** l'appareil pour chauffer des récipients alimentaires scellés. N'utilisez pas l'appareil pour chauffer des récipients alimentaires scellés.
- Lors de la mise au rebut de l'appareil, **coupez** le cordon d'alimentation afin d'éviter que les enfants et les animaux ne restent coincés.
- **Débranchez** l'appareil avant de procéder à des travaux d'entretien ou de réparation.
- **Veillez** à ce que la viande et la volaille soient bien cuites. La viande doit toujours être cuite à une température interne de 71 °C (160 °F). La volaille doit toujours être cuite à une température interne de 82 °C (180 °F).
- Gardez la zone de l'appareil dégagée et exempte de matériaux combustibles, d'essence et d'autres vapeurs et liquides inflammables.
- **Apprenez** aux enfants qu'il ne faut pas toucher les commandes ou toute autre partie de l'appareil, ni jouer avec.
- Un rideau d'air ou une autre hotte de cuisine suspendue, qui fonctionne en soufflant un flux d'air vers le bas sur une cuisinière, ne doit pas être utilisé avec une cuisinière à gaz à moins que la hotte et la cuisinière aient été conçues et testées conformément à la norme sur les cuisinières à gaz domestiques, ANSI Z21.1 - CSA1.1, et homologuées par un laboratoire d'essai indépendant pour une utilisation combinée.

AVERTISSEMENT

N'utilisez JAMAIS cet appareil comme chauffage d'appoint pour réchauffer la pièce. Cela pourrait entraîner une intoxication au monoxyde de carbone et une surchauffe du four.

Consignes de sécurité importantes

Sécurité incendie

AVERTISSEMENT

Pour réduire les risques d'incendie, d'électrocution, de blessure corporelle et/ou de décès, observez les mesures de précaution énoncées ci-après :

- **Veillez à ne pas stocker/placer/utiliser** de matériaux combustibles (par exemple, papier, plastique, maniques, linge de maison, essence, alcool) à proximité de l'appareil.
- **Ne portez pas** de vêtements amples ou flottants pendant l'utilisation de l'appareil.
- Pour éviter l'accumulation de graisse, **nettoyez régulièrement** les fentes d'aération.
- **Ne laissez pas** les maniques ou autres matériaux inflammables toucher un élément chauffant. N'utilisez pas de serviette ou tout autre tissu épais comme manique.
- **N'éteignez pas** un feu de graisse avec de l'eau. Éteignez plutôt la source de chaleur et étouffez le feu avec un couvercle hermétique, ou utilisez un extincteur polyvalent, chimique sec ou à mousse.
- **Ne chauffez pas** des récipients alimentaires non ouverts. L'accumulation de pression peut faire éclater les récipients et provoquer des blessures.
- **Ne laissez pas** d'articles tels que du papier, des ustensiles de cuisine ou des aliments sur l'appareil lorsqu'il n'est pas utilisé. Les articles sur l'appareil peuvent s'enflammer.
- **Ne placez pas** de matériaux ou d'objets combustibles autour de l'appareil.

Sécurité en matière de gaz

⚠ AVERTISSEMENT

Pour réduire les risques d'incendie, d'électrocution, de blessure corporelle et/ou de décès, observez les mesures de précaution énoncées ci-après :

Si vous sentez une odeur de gaz :

- Fermez la valve et n'utilisez pas l'appareil.
- **N'allumez pas** d'allumette, de bougie ou de cigarette.
- **N'allumez pas** d'appareils électriques ou à gaz.
- **Ne touchez pas** les interrupteurs électriques et ne branchez pas le cordon d'alimentation.
- **N'utilisez pas** de téléphone dans votre bâtiment.
- **Faites évacuer** tout le monde du bâtiment.
- **Appelez immédiatement** votre compagnie de gaz depuis le téléphone d'un voisin. Suivez les instructions de la compagnie de gaz.
- Si votre compagnie de gaz n'est pas joignable, appelez les pompiers.

Vérification des fuites de gaz

- La vérification de l'étanchéité de l'appareil doit être effectuée conformément aux instructions du fabricant. N'utilisez pas de flamme pour vérifier s'il y a des fuites de gaz. Utilisez une brosse pour répandre une solution d'eau et de savon autour de la zone que vous vérifiez. S'il y a une fuite de gaz, il y aura des petites bulles dans l'eau savonneuse.

Consignes de sécurité importantes

Sécurité électrique et mise à la terre

AVERTISSEMENT

Pour réduire les risques d'incendie, d'électrocution, de blessure corporelle et/ou de décès, observez les mesures de précaution énoncées ci-après :

- Branchez l'appareil sur une prise de courant à trois broches reliée à la mise à la terre.
- **Ne retirez pas** la broche de terre.
- **N'utilisez pas** d'adaptateur ou de rallonge.
- **N'utilisez pas** une fiche ou un cordon d'alimentation endommagés, ou une prise de courant mal fixée.
- **Ne modifiez pas** la fiche, le cordon ou la prise d'alimentation.
- **Ne placez pas** de fusible dans un circuit neutre ou de mise à la terre.
- Utilisez un circuit électrique dédié de 120 volts, 60 Hz, 20 ampères, CA, avec fusible pour cet appareil. Un fusible à retardement ou un disjoncteur est recommandé. Ne branchez pas plus d'un appareil sur ce circuit.
- **Ne branchez pas** le fil de terre à des conduites en plastique de plomberie, de gaz ou d'eau chaude.
- Cet appareil **doit être mis à la terre**. En cas de dysfonctionnement ou de panne de l'appareil, la mise à la terre réduit le risque de choc électrique en offrant un chemin sûr au courant. Le cordon d'alimentation de cet appareil est muni d'une fiche de mise à la terre, qui doit être fermement branchée dans une prise de courant correctement installée et mise à la terre conformément aux réglementations locales. Si vous n'êtes pas certain que votre prise électrique est correctement mise à la terre, faites-la vérifier par un électricien agréé.
- L'appareil est fourni avec une fiche à trois broches avec mise à la terre. Ce cordon doit être branché dans une prise à 3 broches correspondante et mise à la terre, conforme à tous les codes et règlements locaux. Si les codes permettent l'utilisation d'un fil de terre séparé, nous recommandons qu'un électricien qualifié détermine le chemin approprié pour ce fil de terre.
- L'alimentation électrique de la cuisinière doit être conforme aux codes locaux. En l'absence de codes locaux, il doit être conforme à la norme ANSI/NFPA n° 70 - Dernière révision (pour les États-Unis) ou au Code canadien de l'électricité CSA C22.1 - Dernières révisions.
- Le propriétaire de l'appareil doit s'assurer qu'il dispose d'un service électrique approprié.

Sécurité de l'installation

⚠ AVERTISSEMENT

Pour réduire les risques d'incendie, d'électrocution, de blessure corporelle et/ou de décès, observez les mesures de précaution énoncées ci-après :

- L'appareil doit être installé et correctement mis à la terre par un installateur qualifié, comme indiqué dans les instructions d'installation. Les réglages et l'entretien doivent être effectués uniquement par un installateur ou un technicien qualifié.
- **N'essayez pas** d'entretenir/modifier/remplacer l'appareil ou toute partie de celui-ci, sauf si cela est spécifiquement recommandé dans ce manuel. Toute autre réparation doit être effectuée par un technicien qualifié.
- N'utilisez que des connecteurs neufs et flexibles pour installer l'appareil.
- En raison de la taille et du poids de l'appareil, demandez à **deux personnes ou plus** de le déplacer.
- **Retirez** tout le ruban adhésif et les matériaux d'emballage.
- Après avoir déballé l'appareil, retirez tous les accessoires à l'intérieur et autour de l'appareil. Manipulez avec précaution les grilles et les grils lourds.
- **Assurez-vous** qu'aucune pièce ne s'est détachée pendant le transport.
- **Assurez-vous** que votre cuisinière est correctement installée/réglée par un technicien ou un installateur qualifié pour le type de gaz (naturel ou GPL) que vous utiliserez.
- L'installation de cet appareil doit être conforme aux codes locaux ou, en l'absence de codes locaux, au National Fuel Gas Code, ANSI Z223.1/NFPA.54, dernière édition. Au Canada, l'installation doit être conforme au Code d'installation du gaz naturel, CAN/CGA-B149.1, ou au Code d'installation du propane, CAN/CGA-B149.2, et aux codes locaux, le cas échéant. Cette cuisinière a été certifiée par ETL selon la norme ANSI Z21.1, dernière édition, et par l'Association canadienne du gaz selon la norme CAN/CGA-1.1, dernière édition.

Consignes de sécurité importantes

Sécurité en matière d'emplacement

AVERTISSEMENT

Pour réduire les risques d'incendie, d'électrocution, de blessures corporelles et/ou de décès, respectez les précautions suivantes.

- Cet appareil est réservé à un usage intérieur et domestique. **N'installez pas** l'appareil à l'extérieur ou dans un endroit où il serait exposé aux intempéries, à l'eau, au vent ou à de forts courants d'air.
- **N'installez pas** l'appareil dans un endroit exposé à un fort courant d'air.
- Choisissez un sol plat, bien construit et capable de supporter le poids de l'appareil. Les revêtements de sol synthétiques, comme le linoléum, doivent résister à des températures de 82 °C (180 °F) sans rétrécir, se déformer ou se décolorer. **N'installez pas** l'appareil directement sur la moquette intérieure de la cuisine, sauf si une feuille de contreplaqué de ¼ pouce ou un isolant similaire est placé entre l'appareil et la moquette.
- Choisissez un emplacement où une prise de courant à 3 broches avec mise à la terre est facilement accessible.
- Si l'appareil est situé près d'une fenêtre, **n'accrochez pas** de longs rideaux ou des stores en papier sur cette fenêtre.
- Pour permettre une bonne ventilation de l'appareil, assurez-vous que les fentes d'aération de l'appareil ne sont pas bloquées et qu'il y a suffisamment de dégagement en haut, à l'arrière, sur les côtés et sous l'appareil. Les fentes d'aération permettent à l'appareil d'évacuer l'air pour pouvoir bien fonctionner et produire une bonne combustion.
- **Assurez-vous** que les revêtements muraux autour de l'appareil peuvent résister à la chaleur jusqu'à 93 °C (200 °F) générée par l'appareil.
- Il faut éviter de ranger les armoires au-dessus de la surface de l'appareil. S'il est nécessaire de ranger les armoires au-dessus de l'appareil, laissez un espace d'au moins 76,2 cm (30 po) entre la surface de cuisson et le bas des armoires ou installez une hotte qui dépasse horizontalement d'au moins 12,7 cm (5 po) le bas des armoires.
- **Placez** l'appareil à l'écart des voies de circulation de la cuisine et des courants d'air pour éviter une mauvaise circulation de l'air.
- Si l'appareil est situé près d'une fenêtre, n'accrochez JAMAIS de longs rideaux ou des stores en papier à cette fenêtre. Ces derniers pourraient passer par-dessus les brûleurs de surface et s'enflammer, provoquant ainsi un incendie.

Sécurité de la cuisinière

⚠ AVERTISSEMENT

Pour réduire les risques d'incendie, d'électrocution, de blessure corporelle et/ou de décès, observez les mesures de précaution énoncées ci-après :

- **Assurez-vous** que tous les brûleurs sont éteints lorsqu'ils ne sont pas utilisés.
- **N'utilisez pas** de papier aluminium pour recouvrir les grilles ou toute autre partie de la cuisinière. Cela peut provoquer un empoisonnement au monoxyde de carbone. Les revêtements en papier d'aluminium peuvent également retenir la chaleur et présenter un risque d'incendie. **Ne laissez pas** les brûleurs sans surveillance à température moyenne ou élevée.
- Avant d'allumer l'appareil, assurez-vous que tous les chapeaux des brûleurs sont bien en place et que tous les brûleurs sont parfaitement horizontaux.
- **Utilisez toujours** la position LITE pour allumer les brûleurs et assurez-vous que les brûleurs se sont allumés. Si l'allumage échoue, tournez le bouton sur Off (arrêt) et attendez que le gaz se dissipe.
- Lorsque vous réglez un brûleur sur mijotage, **ne tournez pas** le bouton rapidement. Assurez-vous que la flamme reste allumée.
- Cet appareil est conçu pour être utilisé avec un wok ou un anneau de wok.
- Pour pouvoir faire flamber des aliments, vous devez installer une hotte de ventilation. La hotte doit être allumée lorsque vous faites flamber des aliments.
- Avant de retirer ou de changer d'ustensile de cuisson, éteignez les brûleurs.
- Retirez les aliments et les ustensiles de cuisson immédiatement après la cuisson.
- Assurez-vous que la cuisinière est éteinte et complètement refroidie avant de retirer une partie du brûleur pour le nettoyer.
- Après avoir nettoyé le diffuseur du brûleur, assurez-vous qu'il est complètement sec avant de le réassembler.
- **Assurez-vous** que le repère de l'étincelle sur le diffuseur de brûleur double est placé à côté de l'électrode lorsqu'il est assemblé.
- Évitez de verser de l'eau dans la cuisinière pendant le nettoyage afin d'éviter tout empoisonnement au monoxyde de carbone.
- Prenez des ustensiles de cuisine conçus pour la cuisson sur la cuisinière. Utilisez des ustensiles de cuisine suffisamment grands pour couvrir les grilles du brûleur. Réglez les flammes du brûleur de manière à ce qu'elles ne dépassent pas le fond de l'ustensile de cuisson.
- Pour éviter la décoloration ou la déformation des ustensiles de cuisson ou une intoxication au monoxyde de carbone, n'utilisez pas d'ustensiles de cuisson beaucoup plus grands que la grille.
- Assurez-vous que les poignées des ustensiles de cuisson sont tournées vers le côté ou l'arrière de la table de cuisson, mais pas au-dessus des autres brûleurs de surface.

Consignes de sécurité importantes

- Tenez-vous à l'écart de la cuisinière pendant la friture.
- Faites toujours chauffer les huiles de friture lentement et surveillez-les pendant qu'elles chauffent. Si vous faites frire des aliments à feu vif, surveillez-les attentivement pendant le processus de cuisson. Si vous devez utiliser une combinaison de graisses ou d'huiles pour la friture, mélangez-les avant de les faire chauffer.
- Utilisez autant que possible un thermomètre de friteuse. Cela évite de surchauffer la friteuse au-delà du point de fumée.
- Utilisez une quantité minimale d'huile pour la cuisson à la poêle ou à la friteuse. Évitez de cuire des aliments non décongelés ou des aliments contenant une quantité excessive de glace.
- Avant de déplacer des ustensiles de cuisine remplis de graisses ou d'huiles, assurez-vous qu'ils ont complètement refroidi.
- Pour éviter tout risque de débordement après ébullition, laissez toujours reposer les liquides chauffés au moins 20 secondes après avoir éteint le brûleur, afin que la température du liquide puisse se stabiliser. En cas d'ébouillantage, suivez ces instructions de premiers secours :
 1. Immergez la zone ébouillantée dans de l'eau fraîche ou tiède pendant au moins 10 minutes.
 2. N'appliquez pas de crèmes, d'huiles ou de lotions.
 3. Couvrez avec un tissu propre et sec.
- **Ne portez pas** de vêtements amples ou flottants pendant l'utilisation de l'appareil. Ils pourraient s'enflammer et vous brûler s'ils touchent un brûleur de surface.
- **Ne laissez jamais** d'objets en plastique sur l'appareil. L'air chaud provenant de la fente d'aération peut faire fondre ou enflammer les articles en plastique ou provoquer une accumulation de pression dangereuse dans les récipients en plastique fermés.
- **Ne placez pas** d'appareils portables ou tout autre objet autre que des ustensiles de cuisine sur l'appareil. L'appareil pourrait être endommagé ou prendre feu s'il est chaud.
- **Assurez-vous toujours** que les aliments à frire sont décongelés et secs. L'humidité, quelle qu'elle soit, peut faire bouillonner la graisse chaude sur les côtés de la poêle.
- **Vérifiez toujours** que les commandes sont sur Off (arrêt) et que les grilles sont froides avant de les retirer pour éviter tout risque de brûlure.
- **Ne placez pas** de matériaux ou d'objets combustibles autour de l'appareil.
- **Veillez à ce** que vos mains ne touchent pas les brûleurs lorsqu'ils sont allumés. Éteignez les brûleurs lorsque vous changez une casserole ou une marmite.
- Pour réchauffer des liquides tels que des sauces, remuez-les pendant le réchauffement.

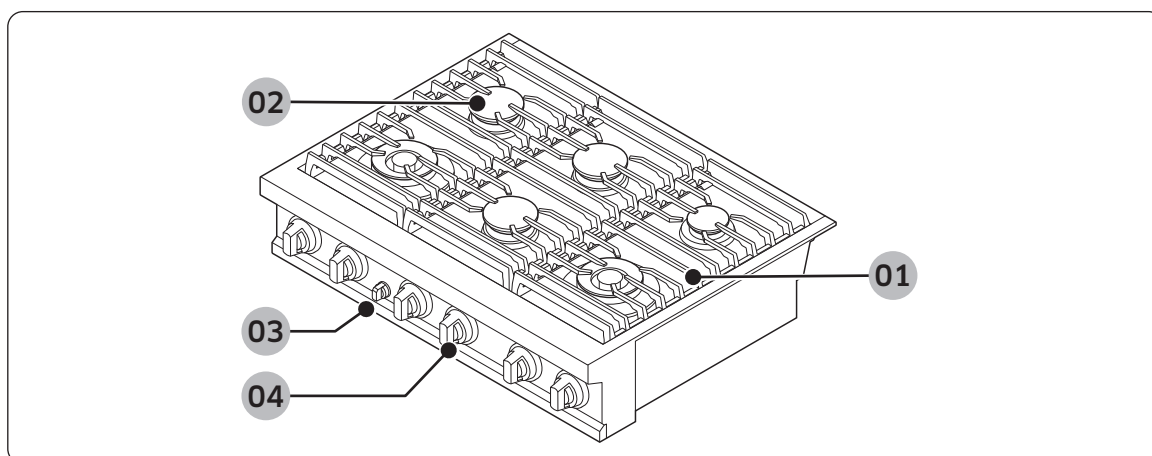
Utilisation en zone de haute altitude

- Cet appareil a été testé pour fonctionner jusqu'à une altitude de 7 800 pieds au-dessus du niveau de la mer.
- Au besoin, pour les altitudes supérieures à 2 000 pieds au-dessus du niveau de la mer, il est possible d'effectuer des réglages sur les brûleurs de la table de cuisson pour obtenir des flammes basses. Si la puissance de la flamme est satisfaisante, aucun réglage ne sera nécessaire.
- Consultez les instructions de conversion au GPL pour en savoir plus sur le réglage des flammes basses.
- * Cependant, les modèles 36 po (cuisinière et cuisinière professionnelle) ne doivent pas être utilisés en haute altitude.

Vue d'ensemble

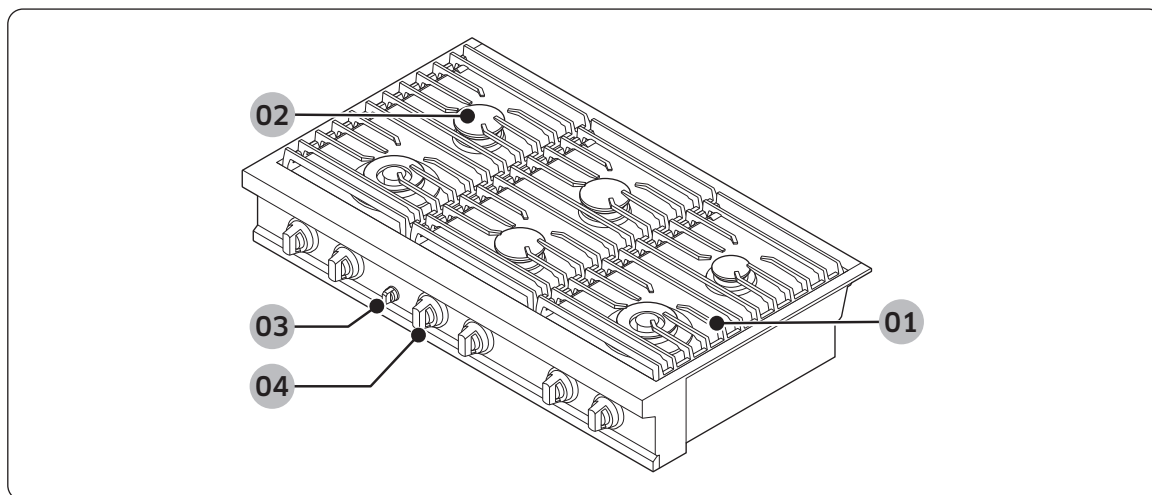
Disposition

Modèle 36 po : DTT36*960**



01 Grille	02 Brûleurs de surface
03 Bouton (éclairage de la douche)	04 Boutons de brûleurs de surface (6 pcs)

Modèle 48 po : DTT48*960**



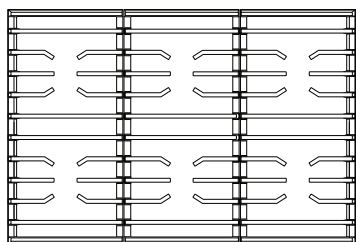
01 Grille	02 Brûleurs de surface
03 Bouton (éclairage de la douche)	04 Boutons de brûleurs de surface (6 pcs)

Vue d'ensemble

Vue d'ensemble

Ce qui est inclus

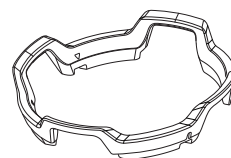
Liste des pièces - DTT36*960**



Grille (3)

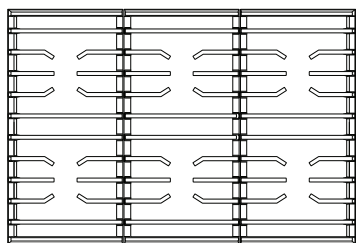


Têtes de brûleur (6) et
chapeaux de brûleur* (8)

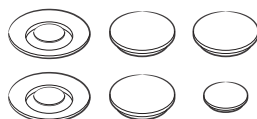


Anneau de wok

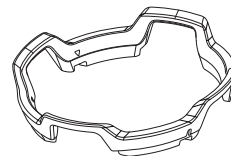
Liste des pièces - DTT48*960**



Grille (3)



Têtes de brûleur (6) et
chapeaux de brûleur* (8)



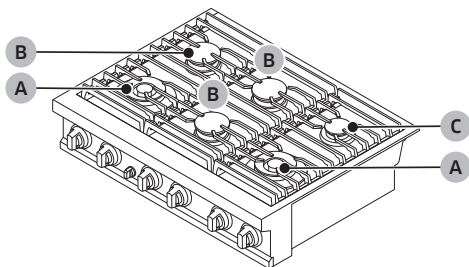
Anneau de wok

La cuisinière est fournie avec deux types différents de chapeaux de brûleur (laiton et porcelaine) pour répondre aux préférences du client.

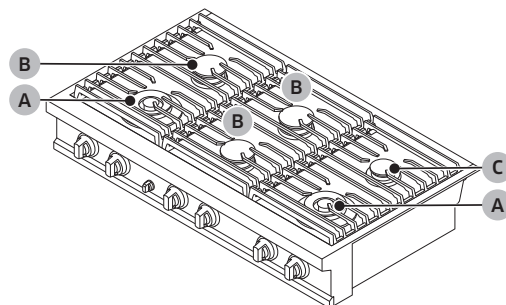
Utilisation de la cuisinière

Brûleurs

Les brûleurs de votre cuisinière sont de trois types différents. Consultez le diagramme ci-dessous pour connaître la puissance calorifique et l'emplacement des brûleurs. La cuisinière produit une étincelle pour allumer le brûleur lorsque vous tournez le bouton sur HIGH (élevé). Les joints d'étanchéité situés sous les brûleurs empêchent les liquides renversés de s'infiltrer dans les pièces internes de la cuisinière. La cuisinière est livrée avec deux jeux de chapeaux de brûleurs, en laiton et en porcelaine (noir), pour satisfaire vos préférences.



DTT36*960**



DTT48*960**

A	Double brûleur 22K BTU
B	Double brûleur à empilement 16K BTU
C	Double brûleur à empilement 9K BTU

Utilisation de la cuisinière

Chaque brûleur est conçu pour une utilisation spécifique, comme le montre le tableau ci-dessous.

Brûleur	Position	Objectif	Type d'aliments
Double brûleur	Avant droit (RF)	Chauffage puissant/ Mijotage faible	Aliments à bouillir, sauce tomate
	Avant gauche (LF)		
Double brûleur empilé	Arrière gauche (LR), Avant centre (CF), Arrière droit (RR), Arrière centre (CR).	Chauffage général/ Mijotage faible	Alimentation générale, Casseroles

Caractéristiques spéciales de la cuisinière

Perma-Flame^{MC}

La fonction de rallumage instantané Perma-Flame rallume automatiquement et rapidement un brûleur s'il s'éteint. Avec Perma-Flame, votre expérience culinaire est ininterrompue, car la flamme est rallumée au même niveau que lorsqu'elle s'est éteinte.

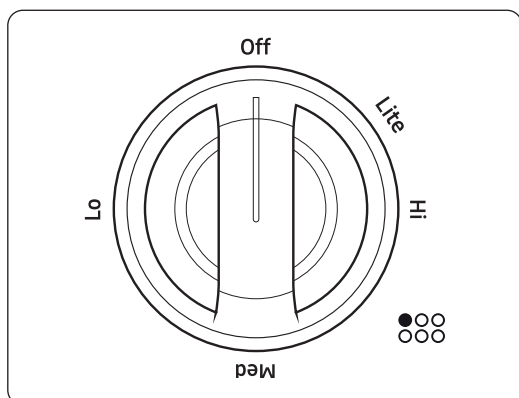
Smart Flame^{MC}

La technologie Smart Flame réduit la température sous les doigts des grilles en fonte à revêtement en porcelaine. Smart Flame prolonge la durée de vie de la grille et protège la finition.

SimmerSear^{MC}

Le système exclusif de contrôle de précision des brûleurs de Dacor. Il vous permet de cuisiner avec une large gamme de réglages de chaleur, du mijotage à la cuisson.

Allumage



À chaque bouton de brûleur de surface correspond un brûleur. L'emplacement du brûleur correspondant est indiqué à côté du bouton.

Pour allumer un brûleur, suivez les étapes ci-dessous.

1. Enfoncez le bouton et tournez-le dans le sens antihoraire jusqu'à la position Lite. L'allumeur du brûleur émet des étincelles à plusieurs reprises jusqu'à ce qu'il s'allume. L'étincelle émet un « clic ». Le brûleur devrait s'allumer dans les quatre secondes. La flamme doit brûler uniformément sur tout le périmètre du brûleur, sauf sous chaque doigt de support de la grille, où la hauteur de la flamme est réduite par la fonction Smart Flame de Dacor. Une flamme normale est régulière et de couleur bleue. La présence de corps étrangers dans la conduite de gaz, en particulier dans les nouvelles constructions, peut provoquer une flamme orange lors du fonctionnement initial. Ce phénomène disparaît avec l'usage. De petites pointes jaunes aux extrémités des flammes sont normales lors de l'utilisation de gaz GPL. Au cas où un brûleur ne s'allumerait pas, si l'allumeur continue à produire des étincelles ou si la flamme n'est pas répartie uniformément autour du chapeau du brûleur, consultez la section **Dépannage** à la page 44.
2. Placez l'ustensile de cuisson sur la grille.
3. Réglez la flamme à la hauteur nécessaire pour effectuer la cuisson que vous souhaitez.

REMARQUE

Lorsqu'un bouton de brûleur est réglé sur LO (faible), l'allumeur peut continuer à produire des étincelles si le brûleur est froid. Le brûleur cessera de produire des étincelles lorsqu'il sera chaud. Pour réduire les étincelles du brûleur froid, réglez le bouton sur HIGH (élevé) pendant environ 60 secondes, puis redressez la flamme pour la cuisson. L'allumeur fera également des étincelles automatiquement si la flamme est déformée par un courant d'air ou par le système de ventilation de la maison. Éliminez tout courant d'air ou réduisez la vitesse de la ventilation pour réduire ce type de problème.

Utilisation de la cuisinière

Astuces

- Les aliments cuisent aussi rapidement à une ébullition douce qu'à une ébullition vigoureuse. Maintenir une ébullition plus forte que nécessaire gaspille de l'énergie et fait disparaître l'humidité, la saveur et les nutriments des aliments.
- Utilisez une flamme basse ou moyenne lorsque vous cuisinez avec des ustensiles qui conduisent mal la chaleur, comme le verre, la céramique ou la fonte. Réduisez la flamme jusqu'à ce qu'elle couvre environ 1/3 du diamètre de l'ustensile. Vous obtiendrez ainsi un chauffage uniforme et réduirez le risque de brûler ou de roussir les aliments.

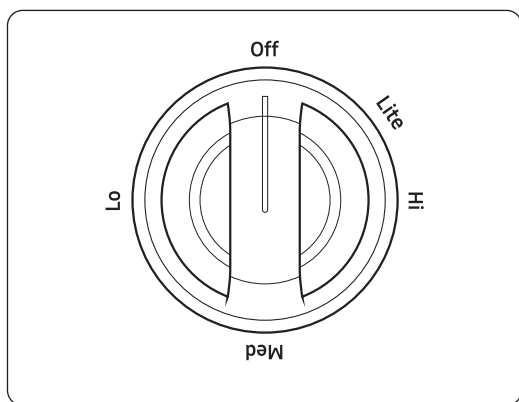
Allumage manuel

En cas de panne de courant, vous pouvez allumer le brûleur manuellement. Soyez prudent lors de cette opération.

1. Tenez un long briquet pour gril à gaz devant le brûleur de surface que vous souhaitez allumer.
2. Enfoncez le bouton de commande de ce brûleur, puis tournez-le en position Lite. Allumez le briquet à gril pour allumer le brûleur.
3. Une fois le brûleur allumé, tournez le bouton de commande pour régler le niveau de la flamme.

Niveau des flammes

Les flammes des brûleurs doivent toujours rester sous l'ustensile de cuisine, et ne doivent à aucun moment dépasser le fond de l'ustensile.



Avant d'utiliser les boutons des brûleurs...

Pour éviter toute augmentation ou diminution accidentelle de la taille des flammes, chaque bouton de brûleur ne peut être actionné que par la méthode « pousser-tourner ».

Il comporte également des points d'arrêt qui permettent à l'utilisateur de sentir différents points d'arrêt lorsqu'il tourne le bouton. Lorsque l'utilisateur rencontre des points d'arrêt, il doit à nouveau utiliser la méthode pousser-tourner pour tourner le bouton. Le bouton ne peut être tourné que si l'utilisateur souhaite modifier la taille de la flamme.

Ustensiles de cuisine

⚠ AVERTISSEMENT

- Les ustensiles de cuisine dont le fond est rugueux peuvent causer des dommages permanents aux surfaces revêtues.
- Pour ne pas vous brûler ou vous ébouillanter, tournez toujours les poignées des casseroles dans une position où elles ne peuvent pas être facilement heurtées. De même, les poignées ne doivent pas dépasser les brûleurs adjacents. Posez toujours les ustensiles de cuisine avec précaution sur les grilles et centrez-les de manière à ce qu'ils soient bien équilibrés.
- Ne faites pas glisser les ustensiles de cuisson sur les grilles. Le glissement peut endommager la finition. Soulevez les ustensiles de cuisine pour les repositionner. Ne les laissez pas tomber sur la grille.
- Pour éviter les brûlures ou les risques d'incendie, réduisez le niveau de la flamme si elle dépasse le fond de l'ustensile de cuisine. Une flamme qui s'étend sur les côtés de l'ustensile de cuisine est potentiellement dangereuse.
- Si vous utilisez un ustensile de cuisine en verre, assurez-vous qu'il est conçu pour la cuisson sur la cuisinière.
- Ne laissez jamais d'objets en plastique sur la cuisinière. L'air chaud provenant de la fente d'aération peut faire fondre ou enflammer les articles en plastique ou provoquer une accumulation de pression dangereuse dans les récipients en plastique fermés.
- Veillez à tenir la poignée d'un wok ou d'une petite casserole à une poignée pendant la cuisson.

Pour une sécurité globale et des performances optimales, choisissez l'ustensile de cuisine adapté à l'aliment à cuire. Les ustensiles de cuisine mal choisis ne permettent pas une cuisson uniforme et efficace.

Utilisez des ustensiles de cuisine qui :

- Ont un fond plat et lisse et sont bien équilibrés
- Ont des couvercles hermétiques qui empêchent la chaleur, les odeurs et la vapeur de s'échapper
- Sont bien équilibrés, la poignée pesant moins que la partie principale de la casserole ou de la poêle

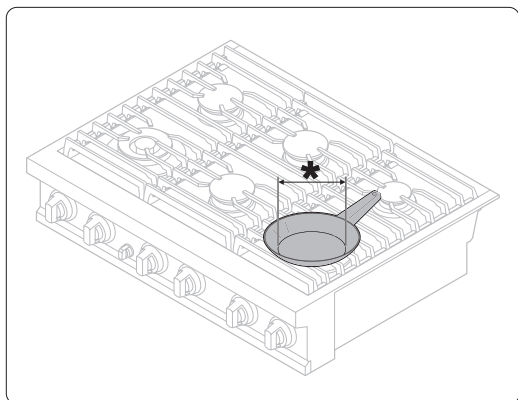


Utilisation de la cuisinière

Caractéristiques des matériaux

- **Aluminium** : Un excellent conducteur de chaleur. Certains types d'aliments peuvent faire noircir l'aluminium. Cependant, les ustensiles de cuisine en aluminium anodisé résistent aux taches et aux piqûres.
- **Cuivre** : Excellent conducteur de chaleur, mais se décolore facilement.
- **Acier inoxydable** : Conducteur de chaleur lent et performance de cuisson inégale, mais durable, facile à nettoyer et résistant aux taches.
- **Fonte** : Mauvais conducteur de chaleur mais conserve très bien la chaleur.
- **Article en métal émaillé** : Les caractéristiques de chauffage dépendent du matériau de base.
- **Verre** : Conducteur de chaleur lent. N'utilisez que des ustensiles en verre conçus pour la cuisson sur la cuisinière ou au four.

Limites de taille



⚠ AVERTISSEMENT

Ne placez pas de petite casserole ou plat avec un fond d'un diamètre d'environ 6 pouces ou moins sur la grille centrale. Cet ustensile de cuisine peut basculer. Utilisez les brûleurs arrière pour cet ustensile de cuisine de petite taille.

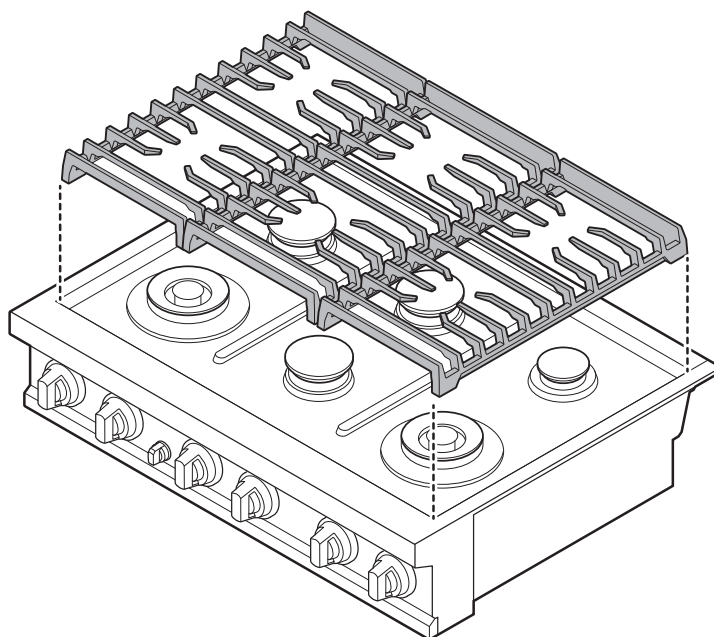
*6 pouces ou moins

Grilles

Posez délicatement les grilles sur le dessus du plateau de déversement. Placez les pieds de chaque grille dans les creux correspondants.

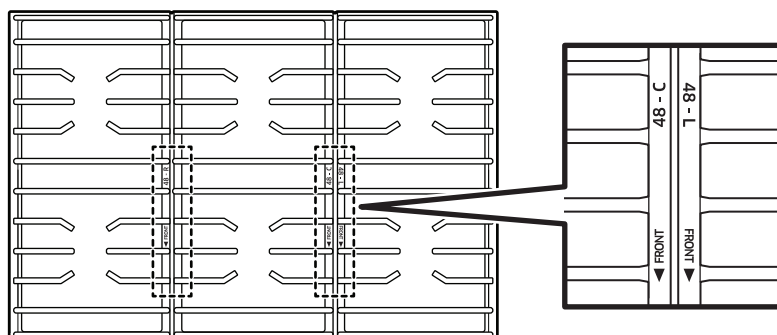
REMARQUE

Les grilles sont lourdes. Faites attention en les manipulant.



REMARQUE

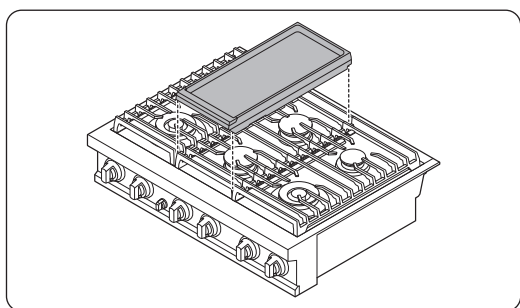
Avant d'installer les grilles, vérifiez les mots sous les grilles. Les mots vous indiquent où se trouve la face avant et la position correcte de la grille, à droite, au centre ou à gauche.



Utilisation de la cuisinière

Grill (accessoires supplémentaires)

- Avant d'utiliser le grill pour la première fois, lavez-le à l'eau chaude savonneuse, puis rincez-le et laissez-le sécher complètement.
- Pour de meilleurs résultats, préchauffez le grill pendant 3 à 5 minutes.
- Orientez le collecteur de graisse du grill à l'arrière de la cuisinière.



1. Une fois tous les brûleurs éteints et la cuisinière refroidie au toucher, placez le grill et la grille au centre de la cuisinière.
 - Les brûleurs spécifiés sont de la même taille, ce qui assure une cuisson uniforme à l'avant et à l'arrière.
 - Insérez les languettes situées au bas des pieds dans les coins intérieurs de la grille. Un léger balancement est normal.
2. Poussez et tournez le bouton des brûleurs centraux sur le réglage d'allumage (flamme). Le brûleur s'allume.

ATTENTION

Évitez d'utiliser des ustensiles en métal sur la surface car ils peuvent rayer le revêtement anti-adhésif.

REMARQUE

Nettoyez le grill après chaque utilisation.

Les informations relatives au préchauffage sont indiquées dans le tableau ci-dessous.

Type d'aliments	Temps de préchauffage	Réglage du préchauffage	Réglage de la cuisson
Crêpes	3 à 5 min.	Faible à moyenne	Faible à moyenne
Hamburgers	3 à 5 min.	Faible à élevé	Faible à élevé
Œufs au plat	3 à 5 min.	Faible à moyenne	Faible à moyenne
Bacon	3 à 5 min.	Faible	Faible
Saucisses pour le petit-déjeuner	3 à 5 min.	Faible	Faible

⚠ ATTENTION

- Ne retirez pas le gril avant que la cuisinière, les autres surfaces et le gril lui-même n'aient totalement refroidi.
- Le gril peut devenir très chaud pendant que vous utilisez la cuisinière.
- Ne faites pas trop chauffer le gril. Cela pourrait endommager le revêtement du gril.
- N'utilisez pas d'ustensiles en métal pouvant endommager la surface du gril.
- N'utilisez pas le gril à d'autres fins, par exemple comme planche à découper ou comme étagère de rangement.
- Ne faites pas cuire d'aliments excessivement gras. La graisse pourrait déborder.
- Le gril est assez lourd. Utilisez vos deux mains lorsque vous placez ou retirez le gril.

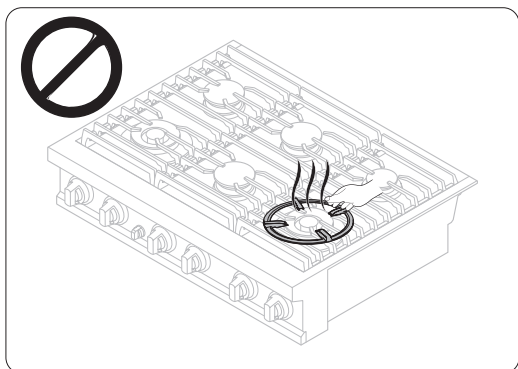
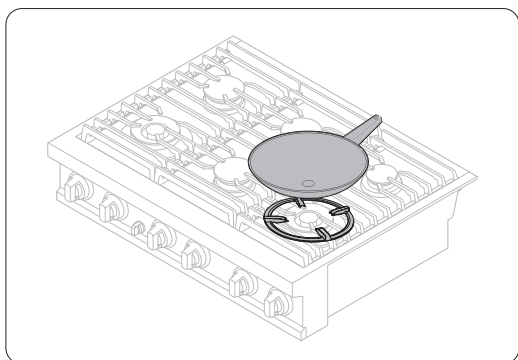
📄 REMARQUE

- Au fil du temps, vous devrez peut-être ajuster les réglages de chaleur du gril.
- Le gril peut se décolorer au fil du temps car il vieillit avec l'usage.
- Ne laissez pas de rouille sur le gril. Si de la rouille apparaît sur le gril, retirez-la dès que possible.

Utilisation de la cuisinière

Anneau de wok

Les woks sont souvent utilisés pour la friture et le pochage. La grille fournie peut accueillir des woks de 12 à 14 pouces.



1. Éteignez tous les brûleurs et attendez que les grilles refroidissent complètement.
2. Placez l'anneau de wok sur la grille au-dessus du brûleur avant droit (le brûleur avant droit est de 22K BTU).
3. Placez un wok sur la grille. Assurez-vous que le wok soit stable sur la grille.
4. Allumez le brûleur et ajustez le niveau de flamme comme il convient.

⚠ ATTENTION

- Ne retirez pas l'anneau de wok avant que les grilles de la cuisinière, les surfaces et l'anneau de wok aient complètement refroidi.
- Lorsque vous utilisez le wok avec la cuisinière ou le four, l'anneau de wok sur la cuisinière peut devenir très chaud. Utilisez des gants de cuisine lorsque vous placez ou retirez l'anneau de wok.
- N'utilisez pas d'ustensiles de cuisine avec fond plat ou d'un diamètre inférieur au diamètre de l'anneau du wok. Les ustensiles de cuisine peuvent basculer.
- N'utilisez pas un wok surdimensionné. Les flammes du brûleur peuvent se propager et causer des dommages à proximité.
- N'utilisez pas l'anneau de wok et le gril en même temps.
- Cet appareil n'est pas conçu pour flamber des aliments ou pour cuisiner avec un anneau de wok. Si les aliments sont enflammés, ils ne devraient l'être que sous une hotte de ventilation en état de fonctionnement.

Utilisation de la fonction Smart Connect

La cuisinière possède un module Wi-Fi intégré que vous pouvez utiliser pour synchroniser la cuisinière avec l'application SmartThings. Cette application vous permet de :

- Surveiller l'état de marche/arrêt des éléments de la cuisinière.

L'application SmartThings peut ne pas fonctionner correctement si les communications Wi-Fi ne fonctionnent pas (par exemple, si elles sont bloquées par d'autres appareils électroniques ou par des interférences électriques extérieures) ou si la cuisinière est installée là où le signal est faible (par exemple, loin de la source Wi-Fi).

Connexion de la cuisinière

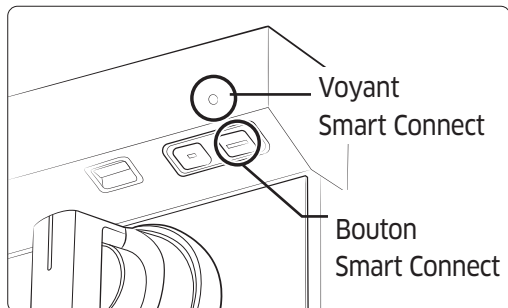
Pour pouvoir contrôler à distance votre cuisinière, vous devez la coupler avec l'application SmartThings.

1. Téléchargez et ouvrez l'application SmartThings sur votre appareil intelligent.
2. Suivez les instructions de l'application à l'écran, puis appuyez et maintenez enfoncé le bouton de la connexion intelligente pendant 3 secondes.

REMARQUE

- Le voyant DEL Smart Connect cesse de clignoter mais reste allumé, indiquant que la connexion a réussi.
- Si le voyant DEL de la connexion intelligente n'apparaît pas, suivez les instructions de l'application pour vous reconnecter avec la cuisinière.

Utilisation de la cuisinière



REMARQUE

Le bouton **Smart Connect** de la cuisinière se trouve sous le châssis, au-dessus de la molette.

Pour contrôler la cuisinière à distance

1. Assurez-vous que le voyant DEL Smart Connect apparaît. S'il n'apparaît pas, appuyez sur le bouton **Smart Connect**, après quoi la cuisinière peut être contrôlée à distance avec un appareil distant connecté.
2. Sélectionnez l'icône de la cuisinière dans l'application SmartThings pour ouvrir l'application de surveillance de la cuisinière.

Activation/désactivation de Smart Connect

Si vous réglez la fonction Smart Connect sur Off (arrêt), les appareils mobiles ne peuvent pas se connecter à la table de cuisson.

Pour activer et désactiver la fonction Smart Connect, appuyez sur le bouton Smart Connect sous le châssis.

REMARQUE

- Le voyant DEL Smart Connect apparaît. Le voyant reste allumé tant que Smart Connect est actif.
- La cuisinière continue de fonctionner même si la connexion Wi-Fi est perdue.
- La fonction Smart Connect ne fonctionnera pas correctement si la connexion Wi-Fi est instable.
- Consultez le manuel d'utilisation de l'application SmartThings pour plus de détails. Vous pouvez également visiter le site www.dacor.com où vous pouvez consulter le manuel de l'application SmartThings.

Utilisation de la fonction de contrôle de la hotte

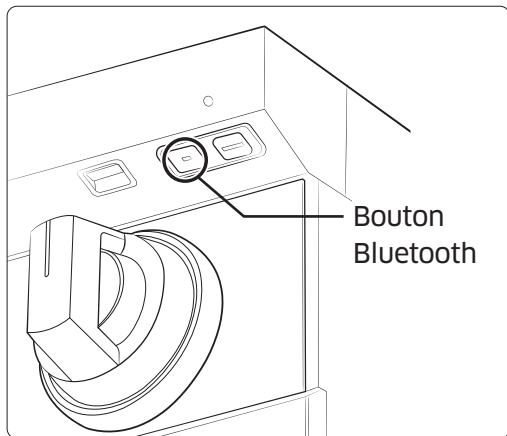
REMARQUE

La cuisinière est dotée d'une fonction Bluetooth qui permet de connecter une cuisinière à commande par hotte Dacor à certains modèles de hotte.

Pour connecter une cuisinière à commande de hotte à une hotte :

1. Téléchargez et exécutez l'application SmartThings sur votre téléphone intelligent, puis effectuez la procédure de connexion intelligente pour vous connecter à la cuisinière.
2. Suivez les instructions Bluetooth du modèle de hotte-contrôle, puis activez la connexion Bluetooth.
3. Appuyez sur l'icône **Bluetooth** sur  le panneau de commande de la hotte. La DEL de l'icône **Bluetooth**  clignote.
4. Appuyez sur le bouton **Bluetooth** de la cuisinière. Le jumelage commence. Lorsque le jumelage est terminé, le voyant DEL Bluetooth est constamment allumé.
5. Suivez les instructions du manuel d'utilisation de la cuisinière et du guide de l'application pour contrôler la hotte.

Utilisation de la cuisinière



REMARQUE

Le bouton **Bluetooth** se trouve sous le châssis, au-dessus du bouton.

Activation/désactivation du Bluetooth

Appuyez sur le bouton **Bluetooth** situé sous le châssis.

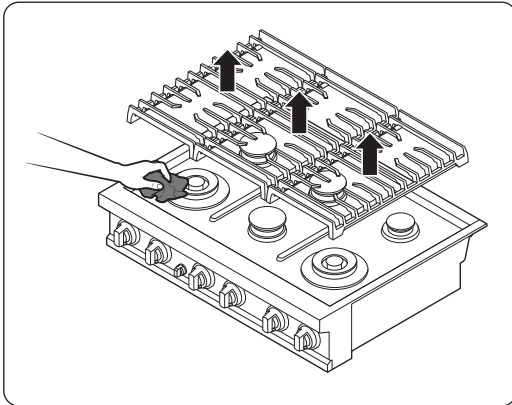
REMARQUE

- Le voyant Bluetooth de la hotte reste allumé tant que le Bluetooth est activé.
- Si la connexion n'est pas réussie, vous ne pouvez pas surveiller et contrôler la hotte avec l'appli SmartThings.
- Si elle n'est pas connectée à la cuisinière, vous pouvez utiliser une connexion Bluetooth pour jumeler la cuisinière avec la hotte et les synchroniser. Pour ce faire, suivez les étapes de la connexion Bluetooth à la page **33**.
- Le Bluetooth ne fonctionnera pas correctement si la connexion Bluetooth est instable.
- Consultez le manuel de l'application SmartThings pour plus de détails.

Entretien et maintenance

Nettoyage de la surface de la cuisinière

Vous devez nettoyer immédiatement les déversements.



1. Éteignez tous les brûleurs.
2. Lorsque les grilles ont suffisamment refroidi, retirez-les.
3. Nettoyez la surface de la cuisinière avec un chiffon doux. Si des liquides s'écoulent dans les interstices des composants du brûleur, retirez les interstices et la tête du brûleur, puis essuyez les liquides renversés.
4. Une fois le nettoyage terminé, réassemblez les brûleurs et repositionnez les grilles.

Entretien et maintenance

Surfaces en acier inoxydable

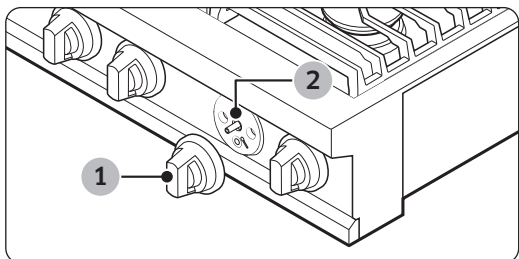
1. Enlevez tous les déversements, les taches et les taches de graisse à l'aide d'un chiffon doux et humide.
2. Appliquez un nettoyant pour acier inoxydable approuvé sur un chiffon ou une serviette en papier.
3. Nettoyez une petite surface à la fois, en frottant dans le sens du grain de l'acier inoxydable, le cas échéant.
4. Séchez la surface à l'aide d'un chiffon doux et sec.
5. Répétez les étapes 2 à 4 au besoin.

ATTENTION

- N'utilisez pas d'articles (par exemple, tampon de laine d'acier, grattoir tranchant, nettoyant abrasif, soude caustique/hydroxyde de sodium) qui peuvent causer des taches sur l'acier et endommager les composants.
- Ne retirez pas la surface de la cuisinière pour la nettoyer. Les conduites de gaz menant aux collecteurs des brûleurs peuvent être endommagées, ce qui peut provoquer un incendie ou un dysfonctionnement.
- Ne versez pas d'eau dans la cuisinière. L'eau pourrait s'égoutter dans les systèmes de gaz et d'électricité, créant un risque d'électrocution ou des niveaux élevés de monoxyde de carbone (CO) en raison de la corrosion des valves/ports de gaz.
- Ne vaporisez aucun type de nettoyant dans les orifices du collecteur. Le système d'allumage qui s'y trouve doit rester sec.

Boutons de commande

Éteignez tous les boutons de commande des brûleurs.



- 01** Saisissez chaque bouton et tirez vers l'arrière pour le retirer.
- 02** Protection contre les déversements. Ne le retirez pas.

1. Retirez les boutons de leur tige de soupape.
2. Nettoyez les boutons à l'eau chaude savonneuse, puis rincez-les et séchez-les soigneusement.
3. Nettoyez les surfaces en acier inoxydable à l'aide d'un nettoyant pour acier inoxydable.
4. Fixez à nouveau les boutons en position **Off** (arrêt) sur les tiges des vannes de commande.

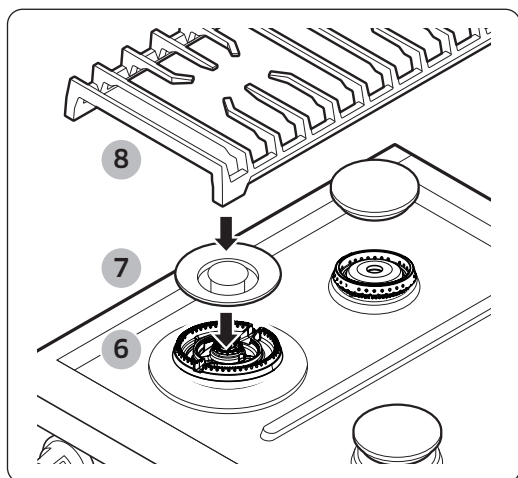
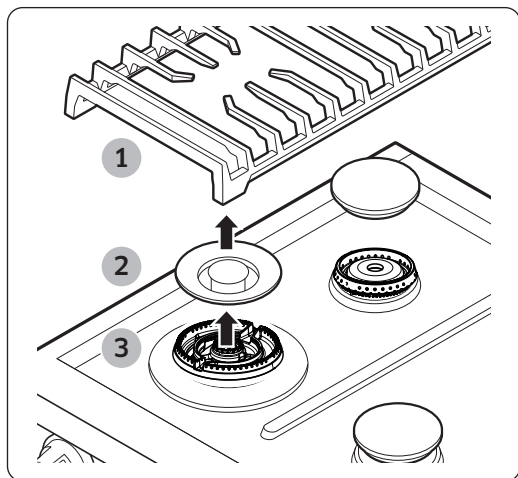
ATTENTION

- Ne nettoyez pas les boutons de commande dans un lave-vaisselle.
- Ne vaporisez pas de nettoyant directement sur le panneau de commande. L'humidité qui pénètre dans les circuits électriques peut provoquer une électrocution ou endommager le produit.

Entretien et maintenance

Grilles et composants des brûleurs

Éteignez tous les brûleurs de surface et assurez-vous qu'ils ont tous refroidi.



1. Retirez les grilles des brûleurs.
2. Retirez les chapeaux des brûleurs des têtes de brûleurs.
3. Retirez les têtes de brûleur des collecteurs de vannes pour faire apparaître les électrodes de démarrage.
4. Nettoyez les grilles et les composants du brûleur à l'eau chaude savonneuse. N'utilisez pas de tampons de laine d'acier ou de nettoyeurs abrasifs.
5. Rincez et séchez soigneusement les grilles et les composants du brûleur.
6. Réassemblez les têtes de brûleur en prenant soin d'insérer une électrode de démarrage dans le trou de chaque tête.

REMARQUE

Consultez les pages 41-43 pour plus de détails sur la façon de réassembler les composants du brûleur.

7. Réassemblez les autres composants du brûleur en veillant à ce que les chapeaux reposent à plat sur le dessus des têtes.
8. Réinstallez les grilles des brûleurs dans leurs positions respectives.
9. Allumez chaque brûleur pour vérifier qu'il fonctionne correctement, puis éteignez le brûleur.

Capuchons et têtes de brûleur

REMARQUE

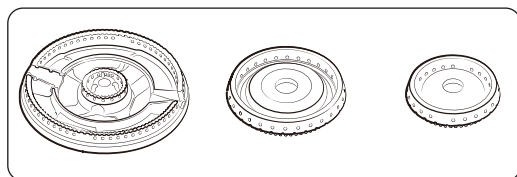
Avant de retirer les chapeaux et les têtes de brûleur, n'oubliez pas leur taille et leur emplacement. Replacez-les au même endroit après le nettoyage.

Lavez les chapeaux et les têtes de brûleur dans de l'eau chaude savonneuse et rincez-les à l'eau courante propre. Vous pouvez frotter avec un tampon à récurer en plastique pour éliminer les particules alimentaires brûlées.

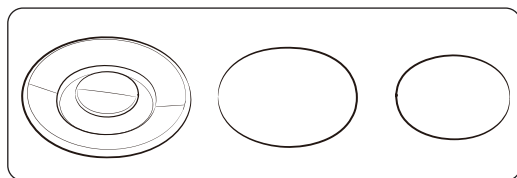
Utilisez une aiguille à coudre ou un trombone pour déboucher les petits trous de la tête du brûleur, si nécessaire.

ATTENTION

- Ne lavez pas les pièces du brûleur dans un lave-vaisselle.
- N'utilisez pas de laine d'acier ou de poudre à récurer pour nettoyer les brûleurs.



Tête de brûleur en laiton



Chapeaux de brûleur en laiton

REMARQUE

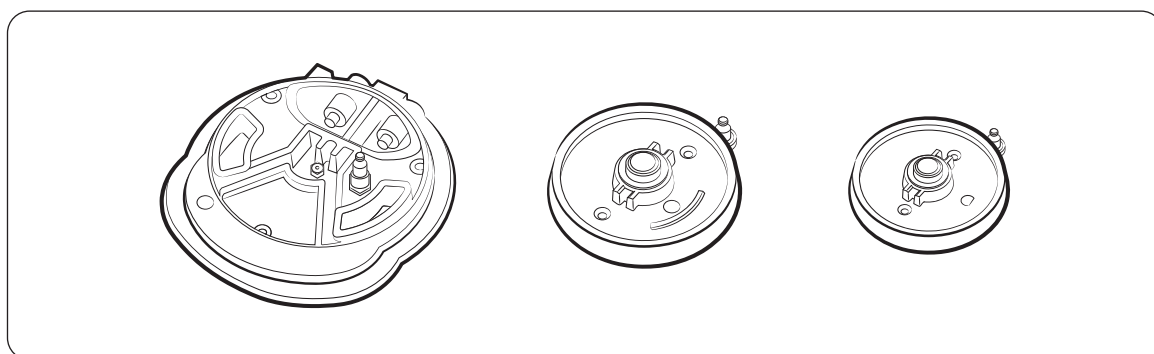
- Les pièces en laiton de votre brûleur vont changer de couleur. Toutefois, cela n'affectera pas les performances.
- Après le nettoyage, vérifiez que tous les orifices du brûleur ne sont pas obstrués.
- Vous pouvez remplacer les chapeaux de brûleur d'origine par des chapeaux en porcelaine si vous le souhaitez.
- Pour éliminer les graisses brûlées, trempez le chapeau du brûleur en laiton dans une tasse d'eau et une cuillère à soupe de vinaigre blanc ou une cuillère à soupe de jus de citron. N'utilisez pas de brosse métallique pour le nettoyer. Cela pourrait endommager les pièces en laiton.

Entretien et maintenance

Bases du brûleur

⚠ ATTENTION

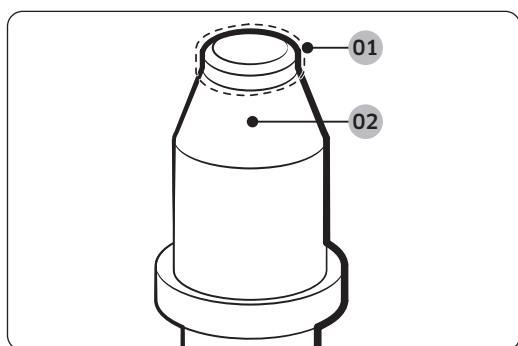
Les bases des brûleurs ne sont pas amovibles; n'essayez pas de les démonter. Veillez à ce que l'eau ne pénètre pas dans les bases du brûleur et les orifices de gaz en laiton. Nettoyez-les avec un chiffon humide, en veillant à ne pas les endommager ou les déformer. Assurez-vous que les bases sont complètement sèches avant d'utiliser la cuisinière.



Électrodes

⚠ ATTENTION

N'essayez pas de retirer l'électrode de la cuisinière ou des bases du brûleur.



- 01 Partie métallique :** Nettoyez cette partie métallique
- 02 Partie en céramique blanche :** Ne nettoyez pas cette partie en céramique blanche avec une lime à ongles.

Vous ne devez jamais cuisiner pendant que vous nettoyez la cuisinière. Assurez-vous que les électrodes en céramique blanche sont propres et sèches. Nettoyez la partie métallique avec un chiffon doux. Ne nettoyez pas les allumeurs avec de l'eau. Avant de réassembler les brûleurs de surface, appuyez doucement sur chacune des électrodes en céramique blanche pour vous assurer qu'elles sont bien plaquées contre la base des brûleurs.

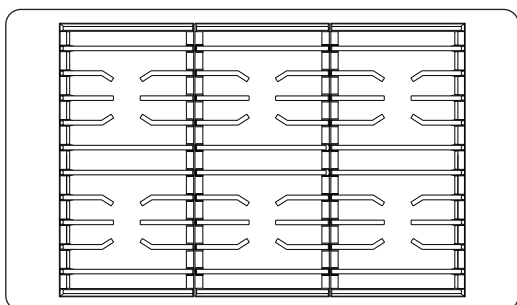
📖 REMARQUE

N'essayez pas de retirer l'électrode de la cuisinière.

Grilles et anneau de wok

⚠ ATTENTION

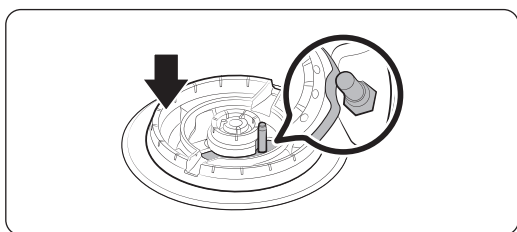
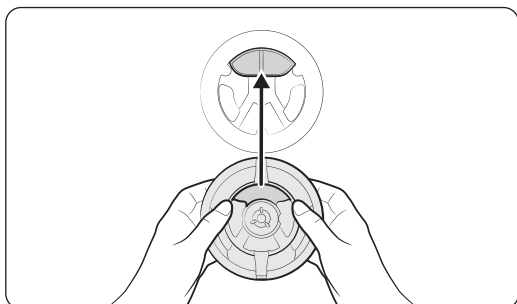
Ne nettoyez pas les grilles ou l'anneau de wok dans un lave-vaisselle. Ils seraient endommagés.



Vous devez laver les grilles régulièrement et après tout débordement. Elles ne sont pas compatibles avec le lave-vaisselle. Pour nettoyer les grilles, attendez qu'elles soient suffisamment froides pour être touchées sans danger, puis retirez-les de la cuisinière et lavez-les à l'eau chaude savonneuse. Rincez les grilles avec de l'eau propre et séchez-les soigneusement. Repositionnez fermement les grilles en suivant les instructions données plus haut dans ce manuel.

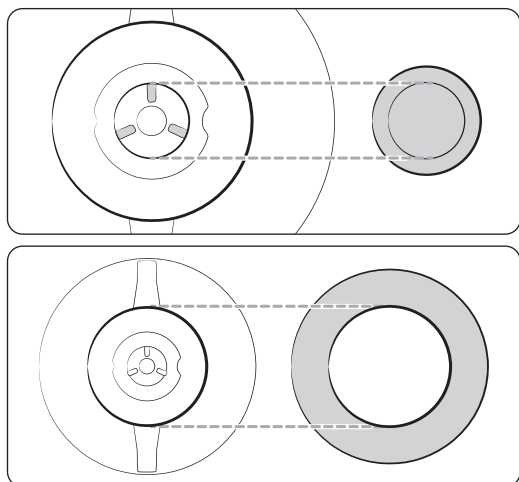
Remplacement de la tête et du chapeau du brûleur

Double tête/chapeaux de brûleur



1. Orientez la tête du brûleur de manière à ce que l'ouverture de l'électrode soit alignée avec l'électrode elle-même.
2. Installez la tête du brûleur de manière à ce que l'électrode traverse l'ouverture prévue à cet effet dans la tête. Vérifiez que la tête du brûleur repose à plat sur la cuisinière.

Entretien et maintenance

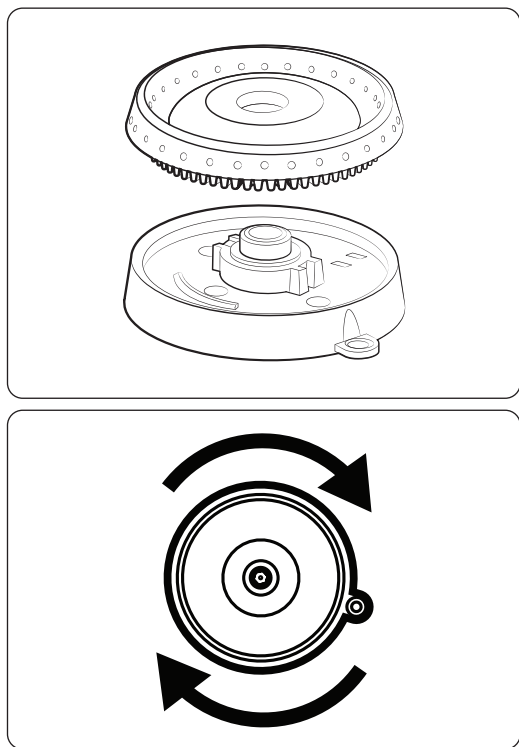


3. Faites correspondre les chapeaux de brûleur aux brûleurs par taille, puis réinstallez les chapeaux sur les têtes de brûleur.

⚠ ATTENTION

Chaque chapeau s'adapte à une tête de brûleur spécifique. Vérifiez que chaque chapeau est installé et repose à plat sur la bonne tête.

Têtes/chapeaux de brûleur ronds



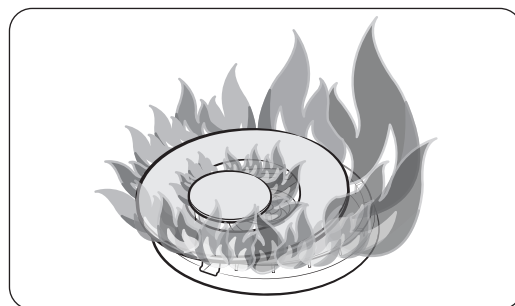
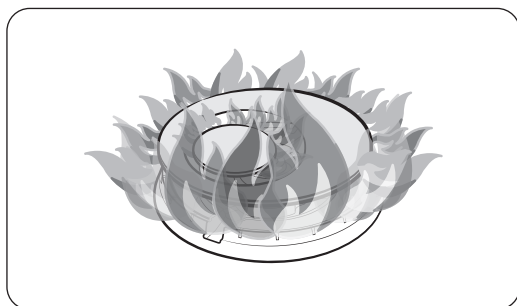
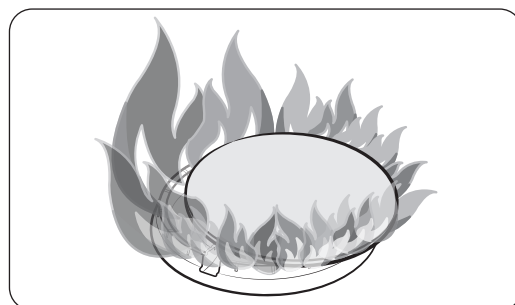
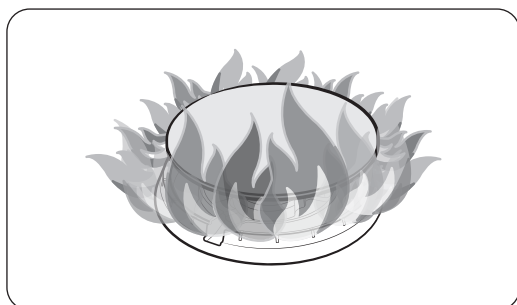
1. Placez les têtes de brûleur sur les bases de brûleur comme indiqué sur la gauche. La partie inférieure de la tête du brûleur s'insère dans la partie supérieure de la base du brûleur.
2. Tournez la tête jusqu'à ce qu'elle se mette en place. Tournez légèrement chaque tête dans le sens horaire et antihoraire pour vous assurer qu'elle est bien en place.
3. Placez les chapeaux de brûleur (en laiton ou en porcelaine) sur les anneaux de brûleur. L'arête autour de la partie inférieure de chaque chapeau s'adapte à la partie supérieure de l'anneau.

⚠ ATTENTION

Vérifiez que tous les composants du brûleur sont bien en place. Si des composants sont mal alignés, démontez-les et refaites l'installation pour tout composant mal installé.

 **REMARQUE**

Après avoir installé les brûleurs, vérifiez qu'ils fonctionnent correctement.
Des composants mal installés entraîneront un mauvais allumage ou des flammes inégales (comme le montrent les illustrations).



Dépannage

En cas de dysfonctionnement de la cuisinière, avant d'appeler le service après-vente, consultez les tableaux de cette section pour trouver une solution possible au problème.

Points de contrôle

Sécurité en matière de gaz

Problème	Cause possible	Action
Vous sentez une odeur de gaz.	Le bouton du brûleur de surface n'est pas en position Off (arrêt) et le brûleur n'est pas allumé.	Tournez le bouton du brûleur sur Off (arrêt) .
	Il y a une fuite de gaz.	<ul style="list-style-type: none">Éloignez tous les occupants de la pièce/du bâtiment/de la zone.Appelez immédiatement votre compagnie de gaz depuis la maison d'un voisin; votre propre téléphone peut provoquer une étincelle qui enflamme le gaz; suivez les instructions de la compagnie de gaz.Si votre compagnie de gaz n'est pas joignable, appelez les pompiers.

Brûleur de surface

Problème	Causes possibles	Action
Tous les brûleurs ne s'allument pas.	La cuisinière est débranchée.	Vérifiez que le cordon d'alimentation est branché dans une prise de courant sous tension et mise à la terre.
	Un fusible a peut-être sauté ou le disjoncteur s'est déclenché.	Remplacez le fusible ou réinitialisez le disjoncteur.
	L'alimentation en gaz n'est pas correctement raccordée ou allumée.	Consultez les instructions d'installation de votre cuisinière.
Les brûleurs de surface ne s'allument pas.	Le bouton de commande n'est pas réglé correctement.	Enfoncez le bouton de commande et tournez-le à la position Lite.
	<ul style="list-style-type: none"> Les chapeaux des brûleurs ne sont pas en place. La base du brûleur est mal alignée. 	<ul style="list-style-type: none"> Nettoyez les électrodes. Mettez le chapeau du brûleur sur la tête du brûleur. Alignez la base du brûleur.
Un brûleur de surface émet un clic pendant le fonctionnement.	Le bouton de commande a été laissé en position Lite.	Après l'allumage du brûleur, tournez le bouton de commande jusqu'au réglage souhaité; si le brûleur émet toujours un clic, contactez un technicien de service.
Les brûleurs ne brûlent pas uniformément.	Les composants du brûleur ne sont pas assemblés correctement.	Consultez les pages 41-43 .
	Les brûleurs sont sales.	<ul style="list-style-type: none"> Nettoyez les composants du brûleur. Consultez les pages 38, 39, 41.
Flammes de surface du brûleur très grandes ou jaunes.	Le mauvais orifice de brûleur est installé.	Vérifiez la taille de l'orifice du brûleur et contactez votre installateur si vous avez le mauvais orifice (gaz GPL au lieu de gaz naturel ou vice versa).

Garantie et réparation

Garantie

Ce qui est couvert

CERTIFICAT DE GARANTIES : CUISINIÈRES DACOR

DANS LES CINQUANTE ÉTATS DES ÉTATS-UNIS, LE DISTRICT DE COLUMBIA ET LE CANADA :

GARANTIE COMPLÈTE DE DEUX ANS

La garantie s'applique uniquement à l'appareil Dacor vendu à l'acheteur de la première utilisation, à partir de la date d'achat au détail originale ou de la date de clôture de la nouvelle fabrication, selon la période la plus longue. La garantie est valable pour les produits achetés neufs auprès d'un revendeur agréé Dacor ou d'un autre vendeur autorisé par Dacor.

Si votre produit Dacor ne fonctionne pas dans l'année qui suit la date d'achat initiale, en raison d'un défaut de matériau ou de fabrication, Dacor y remédiera sans frais pour VOUS.

Tous les dommages esthétiques (tels que les rayures sur l'acier inoxydable, les taches de peinture/porcelaine, etc.) du produit ou des accessoires inclus doivent être signalés à Dacor dans les 60 jours suivant la date d'achat initiale pour pouvoir bénéficier de la garantie. Les pièces consommables telles que les filtres et les ampoules ne sont pas couvertes et relèvent de la responsabilité de l'acheteur.

LIMITES DE LA COUVERTURE

Le service sera fourni par une société de service désignée par Dacor pendant les heures normales de bureau. Veuillez noter que les fournisseurs de services sont des entités indépendantes et ne sont pas des agents de Dacor.

Les produits exposés par les revendeurs et les maisons modèles dont la date de production est supérieure à 5 ans, les produits vendus « tels quels » et les produits installés pour un usage non résidentiel, ce qui inclut, sans s'y limiter, les organisations religieuses, les casernes de pompiers, les chambres d'hôtes et les spas, sont couverts par une garantie d'un an sur les pièces uniquement. Tous les frais de livraison, d'installation, de main-d'œuvre et autres frais de réparation sont à la charge de l'acheteur.

La garantie sera nulle et non avenue sur les produits dont les numéros de série et les étiquettes sont altérés, dégradés ou manquants.

Le propriétaire doit fournir une preuve d'achat ou une déclaration de clôture pour une nouvelle construction sur demande. Tous les produits Dacor doivent être accessibles pour la réparation.

La garantie est nulle et non avenue si un produit non approuvé ETL ou non CUL est transporté depuis les États-Unis.

EN DEHORS DES CINQUANTE ÉTATS DES ÉTATS-UNIS, DU DISTRICT DE COLUMBIA ET DU CANADA :

GARANTIE LIMITÉE DE DEUX ANS

Si votre produit Dacor ne fonctionne pas dans les deux ans suivant la date d'achat originale en raison d'un défaut de matériau ou de fabrication, Dacor fournira une nouvelle pièce, F.O.B. usine pour remplacer la pièce défectueuse.

Tous les frais de livraison, d'installation, de main-d'œuvre et autres frais de réparation sont à la charge de l'acheteur.

Ce qui n'est pas couvert

- De légères variations de couleur peuvent être remarquées en raison des différences dans les pièces peintes, l'éclairage de la cuisine, le placement des produits et d'autres facteurs; cette garantie ne s'applique pas aux variations de couleur.
- Appels de service pour former le client à l'utilisation et à l'entretien corrects du produit.
- Frais de service pour les déplacements vers les îles et les régions éloignées, qui comprennent, sans s'y limiter, les ferries, les routes à péage ou d'autres frais de déplacement.
- Dommages indirects ou accessoires, y compris, mais sans s'y limiter, la perte de nourriture ou de médicaments, le temps d'absence du travail ou les repas au restaurant.
- Défaillance du produit lorsqu'il est utilisé à des fins commerciales, d'affaires, de location ou pour toute application autre qu'un usage résidentiel grand public.
- Défaillance du produit causée par une mauvaise installation du produit.
- Remplacement des fusibles de la maison, des boîtes à fusibles ou réarmement des disjoncteurs.
- Dommages au produit causés par un accident, un incendie, une inondation, une coupure de courant, des surtensions ou d'autres catastrophes naturelles.
- Responsabilité ou responsabilité pour les dommages aux biens environnants, y compris les armoires, les sols, les plafonds et autres structures ou objets autour du produit.
- Bris, décoloration ou dommages au verre, aux surfaces métalliques, aux composants en plastique, aux garnitures, à la peinture ou à toute autre finition cosmétique causés par une utilisation, un entretien, un abus ou une négligence inappropriés.

Hors garantie

Si vous rencontrez un problème de service au-delà de la période de garantie standard, veuillez nous contacter. Dacor examine chaque problème et préoccupation du client pour fournir la meilleure solution possible en fonction des circonstances.

Garantie et réparation

LES RECOURS PRÉVUS DANS LES GARANTIES EXPRESSES CI-DESSUS SONT LES SEULS ET UNIQUES RECOURS. PAR CONSÉQUENT, AUCUNE AUTRE GARANTIE EXPRESSE N'EST OFFERTE, ET EN DEHORS DES CINQUANTE ÉTATS DES ÉTATS-UNIS, DU DISTRICT DE COLUMBIA ET DU CANADA, TOUTES LES GARANTIES IMPLICITES, Y COMPRIS, MAIS SANS S'Y LIMITER, TOUTE GARANTIE IMPLICITE DE QUALITÉ MARCHANDE OU D'ADÉQUATION À UN USAGE OU À UN USAGE PARTICULIER, SONT LIMITÉS DANS LA DURÉE À UN AN À COMPTER DE LA DATE D'ACHAT INITIALE. EN AUCUN CAS, DACOR NE POURRA ÊTRE TENU RESPONSABLE DES FRAIS ACCESSOIRES OU DES DOMMAGES INDIRECTS. SI DACOR L'EMPORTE DANS UN PROCÈS, DACOR AURA DROIT AU REMBOURSEMENT DE TOUS LES FRAIS ET DÉPENSES, Y COMPRIS LES HONORAIRES D'AVOCAT, PAR LE CLIENT DE DACOR. AUCUNE GARANTIE, EXPRESSE OU IMPLICITE, N'EST FAITE À UN ACHETEUR POUR LA REVENTE.

Certains États n'autorisent pas la limitation de la durée d'une garantie implicite, ou n'autorisent pas l'exclusion ou la limitation des dommages inconséquents, par conséquent les limitations ou exclusions ci-dessus peuvent ne pas s'appliquer à vous. Cette garantie vous donne des droits légaux spécifiques, et vous pouvez également avoir d'autres droits qui varient d'un état à l'autre.

Annexe

Nom du modèle et numéro de série

Le nom du modèle et le numéro de série sont indiqués sur le côté droit du produit.

Pour une utilisation ultérieure, notez ces informations sur la page en cours.

Nom du modèle _____

Numéro de série _____

Annonce Open Source

Le logiciel inclus dans ce produit contient un logiciel open source. Vous pouvez obtenir le code source complet correspondant pendant une période de trois ans après la dernière expédition de ce produit en envoyant un courriel à <mailto:oss.request@samsung.com>.

Il est également possible d'obtenir le code source complet correspondant sur un support physique, tel qu'un CD-ROM, moyennant des frais minimes.

L'URL http://opensource.samsung.com/opensource/OVEN_HKM_TZ/seq/O mène à la page de téléchargement du code source mis à disposition et aux informations sur la licence open source relatives à ce produit. Cette offre est valable pour toute personne ayant reçu ces informations.



NOTES

dacor

Dacor • Téléphone : 833-353-5483 (États-Unis), 844-509-4659 (Canada) • www.dacor.com