

48-Inch Gas Rangetop

\$4,999 – \$5,499

dacor



DTT48T960GS/DA – Silver Stainless, Natural Gas/Liquid Propane \$4,999

DTT48T960GM/DA – Graphite Stainless, Natural Gas/Liquid Propane \$5,499

Features & Benefits

- SimmerSear™ brass burners
- Ultra-wide 15-inch grates
- Auto Connect to compatible ventilation through Bluetooth
- SmartThings Wi-Fi connectivity
- Illumina™ Knobs
- Perma-Flame™

Controls

CONTROL TYPE	Knobs
ILLUMINA™ KNOBS	White
WI-FI + SMARTTHINGS	Yes
BLUETOOTH AUTO CONNECT VENTILATION	Yes
CONTROL SHOWER LIGHTING	Yes

Cooktop

NUMBER OF BURNERS	6 Brass
PERMA-FLAME™ (AUTO RE-IGNITION)	Yes
LEFT FRONT (BTU)	22,000
LEFT REAR (BTU)	16,000
CENTER FRONT (BTU)	16,000
CENTER REAR (BTU)	16,000
RIGHT FRONT (BTU)	22,000
RIGHT REAR (BTU)	9,000
BRASS BURNER CAPS	Yes
GRIDDLE	Included Accessory
WOK RING	Yes

Weights & Dimensions

NET WEIGHT (LBS.)	63
SHIPPING WEIGHT (LBS.)	90
PRODUCT DIMENSIONS (W X H X D IN INCHES)	47 7/8 x 8 x 27 7/8
CUTOUT REQUIRED (W X H X D IN INCHES)	48 x 7 3/4 x 24

Technical Details

ELECTRICAL REQUIREMENT	120V, 60 Hz, 20A
AVAILABLE FUEL TYPES	Natural Gas, Natural Gas High Altitude, Liquid Propane, Liquid Propane High Altitude
LP CONVERSION KIT (INCLUDED)	No

Warranty

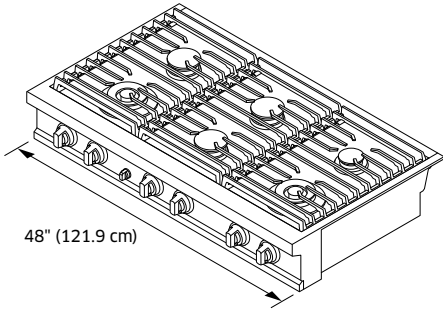
FULL COVERAGE	2 Years
----------------------	---------

48-Inch Gas Rangetop

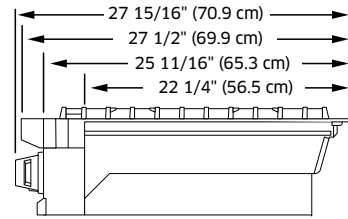
\$4,999 – \$5,499



Appliance Dimensions



Appliance Dimensions

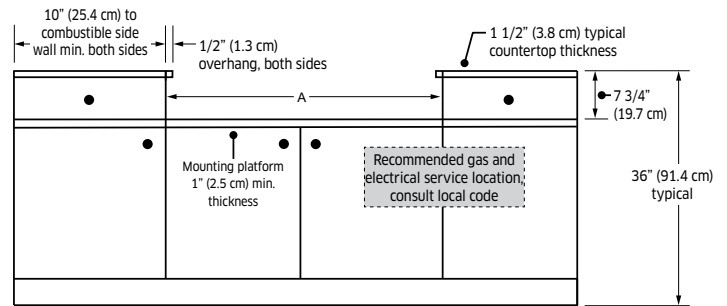


SIDE VIEW

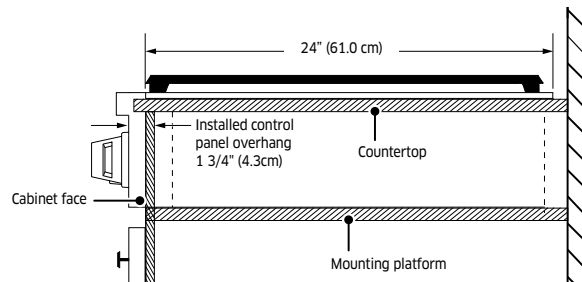
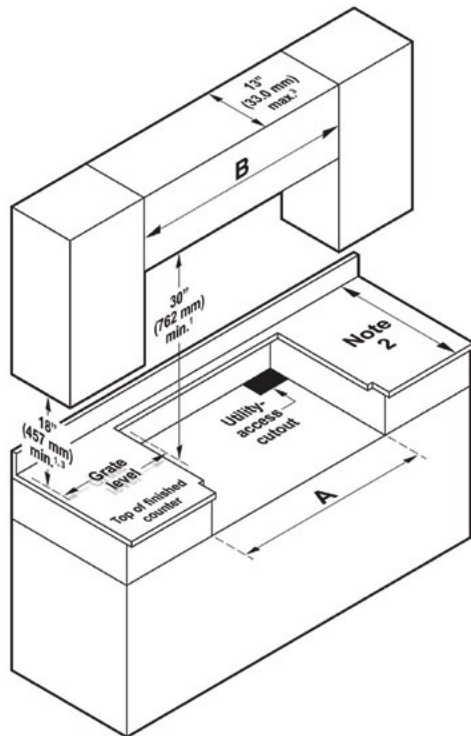
Installation Requirements

A - RANGETOP CUTOUT (IN/MM)	48 / 121.9
B - RANGETOP CUTOUT MINIMUM (IN/MM)	48 / 121.9
B - RANGETOP CUTOUT RECOMMENDED (IN/MM)	54 / 137.2

Countertop Cutout Dimensions



FRONT VIEW



SIDE VIEW