

***dacor***

LET THE SHOW BEGIN

## Installation Instructions

### Modernist Pro Range

DOP48M96D/DOP36M94D

# Contents

---

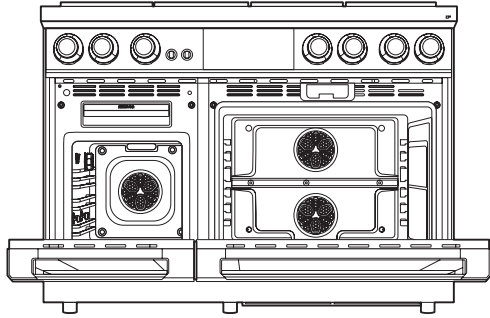
<b>Before You Begin</b>	<b>3</b>
Important	3
Customer-Assurance Information	3
<b>Important Safety Instructions</b>	<b>4</b>
Read All Instructions Before Using This Manual	4
Appliance Symbols Used In This Manual	4
About the Anti-tip Device	4
Installation-Related Safety Instructions	5
<b>Product Specifications</b>	<b>10</b>
What Is Included (DOP48M96)	10
What Is Included (DOP36M94)	11
Needed Tools and Parts	12
<b>Installation Requirements</b>	<b>13</b>
Pre-Installation Checklist	13
General Requirements	13
Location Requirements	16
Gas Requirements	18
Special Gas Requirements (gas models sold in Massachusetts)	18
Electrical Requirements	19
<b>Installation Instructions</b>	<b>20</b>
Preparing for Installation	20
Installing the Burner-Control Knobs	29
Rangetop Assembly	30
Verifying Proper Operation	34
Removing and Reinstalling the Range	34
Installation Checklist	35

# Before You Begin

---

## Important

---



Overall design/accessories may differ with the model.

### Installer

- Read this manual before installing the cooktop.
- Remove all packing material before connecting the electric and gas supply.
- Observe all governing codes and ordinances.
- Leave this manual with the owner, and write the unit's model/serial #s inside for easy reference. Installation of this appliance requires basic mechanical skills.
- The owner shall see to the range's proper installation. (The warranty does not cover product failure due to improper installation.)

### Owner

- As with any heat-generating appliance, certain safety precautions must be followed.
- Ensure your range is installed properly by a qualified installer or technician.
- Ensure the wall coverings near the range can withstand the heat generated by it.
- Cabinet storage space above the range surface should be at least 30 in. (76.2 cm).
- Keep this manual handy for personal and professional reference.

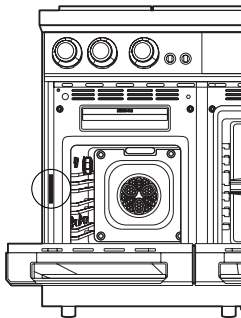
### Service Technician

The electrical diagram is attached inside the burner box.

## Customer-Assurance Information

---

To resolve questions and installation issues, contact your Dacor dealer or the Dacor Customer Assurance Team. Before calling, have the range's model/serial numbers available. (See the range's data label: Double oven – left door trim of small oven; single oven – left door trim.)



### Dacor Customer Assurance:

**Phone:** (800) 793-0093 x2813 (USA, Canada)

**Hours of Operation:** Mon – Fri, 5:00 a.m. to 5:00 p.m. Pacific Time

**Website:** [www.dacor.com/customer-care/contact-us](http://www.dacor.com/customer-care/contact-us)

# Important Safety Instructions

---

## READ ALL INSTRUCTIONS BEFORE USING THIS APPLIANCE

---

- To avoid property damage/personal injury/death, follow the directions in this manual.
- Electrical and gas equipment with moving parts can be dangerous. The **Important safety instructions** in this manual are intended to minimize the risk of property damage, personal injury, and death. Read these instructions.
- Keep this manual in a handy place for reference.

## Symbols Used In This Manual

---

These warning icons and symbols alert you to potentially unsafe conditions. Follow them explicitly.

### **WARNING**

Hazards or unsafe practices that may result in severe personal injury or death.

### **CAUTION**



Hazards or unsafe practices that may result in electric shock, personal injury, or property damage.

### **NOTE**

Useful tips and instructions.

## About the Anti-Tip Device

---

	<h3> <b>WARNING</b></h3> <p>All ranges can tip and cause personal injury and death. Install and check the anti-tip bracket per the instructions and template supplied with the bracket.</p>
-------------------------------------------------------------------------------------	--------------------------------------------------------------------------------------------------------------------------------------------------------------------------------------------------------------------------------------------------------------------------------

- After installing the anti-tip device (see **Installing the Anti-Tip Device**), verify proper installation by carefully tipping the range forward. The anti-tip device should keep the range safely in place.
- When the range is put back in place after maintenance, be sure to re-engage the anti-tip device.
- To avoid personal/property damage, do not step/sit/lean on the range.

### **State of California Proposition 65 Warning (US only)**

- This product contains chemicals known to the State of California to cause cancer and birth defects or other reproductive harm.
- Gas appliances can cause low-level exposure to Proposition 65-listed substances (e.g., carbon monoxide, formaldehyde, soot) caused by the incomplete combustion of LP or natural gas.

### **Commonwealth of Massachusetts**

This product must be installed by a plumber or gas fitter qualified or licensed by the State of Massachusetts. When using ball-type gas shut-off valves, you must use the T-handle type. Multiple flexible gas lines must not be connected in series.

# Important Safety Instructions

---

## Installation-Related Safety Instructions

---

This section consists of general and specific safety instructions surrounding the range's installation.

### **WARNING**

Read these instructions thoroughly to reduce risk of property damage, fire, personal injury, and death, and to ensure proper installation.

#### **General Safety**

- Do not touch the range during or immediately after cooking.
- Know where and how to shut off/on the range's gas-supply valve.
- Use only dry pot holders.
- Do not let children sit/stand on the range or play with any of its parts. Do not leave children unattended near the range when it is in use.
- Remove all packaging before operating the range, and properly and immediately dispose of the packaging.
- Keep all packaging away from children.
- Do not keep objects of interest to children on or around the range.
- Do not operate the range if it is damaged or malfunctioning, or is missing parts.
- Do not use oven cleaners/liners anywhere on the oven.
- Do not heat sealed food containers.
- Do not strike the oven glass.
- When disposing of the range, cut off the power cord, and remove the door.
- Shut off the gas, and unplug the range before service/maintenance.
- Cook meat to an internal temperature of 160 °F (71 °C) and poultry to 180 °F (82 °C).
- Air curtains or hoods that blow on the gas range shall be used only if the hood and range are designed and tested per the Standard for Domestic Gas Ranges, ANSI Z21.1 • CSA1.1, and listed by an independent testing lab for combination use.
- Never use the range as a space heater.

#### **Fire Safety**

- Do not store/place/use combustible items (e.g., paper, plastic, fabrics, gasoline) near the range.
- Do not wear loose-fitting or hanging garments while using the range.
- Do not let pot holders or other flammable material touch a heating element. Do not use a towel or other bulky cloth as a pot holder.
- Do not douse a grease fire with water but turn off the burner, and smother the fire with a tight-fitting lid, or use a multi-purpose, dry-chemical, or foam extinguisher.
- For oven fires, keep the door closed, and press OFF. Do not open the door until the fire goes out. If needed, use a multipurpose, dry-chemical, or foam extinguisher.
- Do not heat sealed containers; pressure may burst the container and cause injury.

# Important Safety Instructions

---

## Installation-Related Safety Instructions, cont.

---

This section consists of general and specific safety instructions surrounding the range's installation.

### **▲ WARNING**

Read these instructions thoroughly to reduce risk of property damage, fire, personal injury, and death, and to ensure proper installation.

#### **Gas Safety**

If you smell gas:

- do not use the range, and close the gas valve.
- do not light a match, candle, or cigarette.
- do not turn on any gas or electric appliances.
- do not plug in a power cord or touch an electrical switch.
- do not use any phone in your building.
- evacuate the building.
- immediately call your gas supplier from a neighbor's phone; follow the supplier's directions.
- if you cannot reach your gas supplier, call the fire department.

#### **Checking For Gas Leaks**

Leak-test the range per manufacturer directions. Do not use a flame to check for leaks. With a brush, spread a soap-and-water solution around the area in question. If there is a gas leak, small bubbles will appear in the solution. If unsure, call for professional help.

#### **Electrical and Grounding Safety**

- Do not remove the ground prong.
- Do not use an adapter or extension cord.
- Do not use a damaged plug, cord, or loose power outlet, and do not alter the plug, cord, or outlet.
- Do not put a fuse in a neutral or ground circuit.
- Use a dedicated 240 Vac, 60 Hz, 50 Amp breaker for the 48" Range and a 40 Amp breaker for the 36" Range. A time-delay fuse or circuit breaker should be used. Plug only the range into this circuit.
- Do not connect the ground wire to plastic plumbing/gas lines, or hot water pipes.
- The range must be grounded. Grounding lowers the risk of electric shock by giving the current a safe path. If unsure that your outlet is properly grounded, have a licensed electrician check it.
- The range has a grounded, 3-prong, plug that must be inserted in a grounded, 3-prong outlet that meets all local ordinances. If codes allow a separate ground wire, a qualified electrician should determine its path.
- Electrical service to the range must conform to local codes, or in their absence, to the National Electrical code/NFPA No. 70 – Latest Revision (for the U.S.) or the Canadian Electrical Code CSA C22.1 or Latest Revisions.
- The owner shall ensure the range receives the proper electrical service.

# Important Safety Instructions

---

## Installation-Related Safety Instructions, cont.

---

This section consists of general and specific safety instructions surrounding the range's installation.

### **WARNING**

Read these instructions thoroughly to reduce risk of property damage, fire, personal injury, and death, and to ensure proper installation.

#### **Installation Safety**

- The range should be installed/grounded/serviced by a qualified installer as instructed in this manual.
- Do not service/alter/replace the range or any part of it unless as instructed in this manual. All other service should be done by a qualified technician.
- Remove all tape and packing material.
- Use only new, flexible connectors when installing the range.
- Ensure the anti-tip device is properly installed (Pg. 20).
- Due to the size and weight of the range, have two or more people move the range.
- After unpacking the product, remove all accessories, taking care with heavy pieces.
- Verify that no parts came loose during shipping.
- Ensure the range is correctly installed/adjusted by a qualified service technician or installer for the type of gas (natural or LP) you will use. For the range to use LP gas, the installer must replace all surface burner orifices with the provided LP orifice set, and reverse the GPR adapter. These adjustments must be made per manufacturer instructions and local regulations. The qualified agency performing this work shall be responsible for the gas conversion.
- Installation of this range must conform with local codes or, in their absence, with the National Fuel Gas Code, ANSI Z223.1/NFPA.54, latest edition. In Canada, installation must conform with the current Natural Gas and Propane Installation Code, CAN/CGA-B149.1, or the current Propane Installation Code, CAN/CGA-B149.2, and with local codes where applicable. This range has been design-certified by UL according to ANSI Z21.1/CSA 1.1, latest edition.

#### **Location Safety**

- Install the range indoors away from weather/water/strong drafts.
- If the range is near a window, do not hang paper blinds or long curtains that could be blown over/onto the range.
- The range must be installed within easy reach of a grounded, 3-prong outlet.
- Wall coverings around the range must withstand heat up to 194 °F (90 °C).
- Select a level, sturdy floor that can support the range's weight (48": 564 lbs.). Synthetic flooring (e.g., linoleum) must withstand 180°F (82°C) without shrinking, warping, or discoloring. The range must be separated from carpeting by a sheet of ¼" plywood or similar insulator.
- The range needs sufficient space all around the chassis for its vents to properly exhaust heat and fumes, thus ensuring safe operation.
- Avoid cabinet storage above the range; otherwise, allow at least 30 in. (76.2 cm) from cooking surface to cabinet bottom; or install a range hood that projects outward at least 5 in. (12.7 cm) beyond the cabinetry.

# Important Safety Instructions

---

## Installation-Related Safety Instructions, cont.

---

This section consists of general and specific safety instructions surrounding the range's installation.

### **▲ WARNING**

Read these instructions thoroughly to reduce risk of property damage, fire, personal injury, and death, and to ensure proper installation.

#### **Cooktop Safety**

- Turn all burners off if not using the range.
- Do not line the grates or any part of the cooktop with foil.
- Do not leave burners unattended on medium or high settings.
- Before igniting, ensure burners and caps are properly seated.
- Use LITE (flame symbol) to ignite a burner. If the burner does not stay lit, turn the knob OFF, and wait 5 minutes for the gas to dissipate, then retry.
- When setting a burner to simmer, turn the knob slowly; ensure the burner stays lit.
- Place only cookware on the cooktop.
- The cooktop is designed to cook with a wok or wok-ring attachment.
- Food should only be flamed under an active ventilation hood.
- Before removing cookware, turn off the burner, and remove food/cookware when done cooking.
- Burners should be off and all surfaces cool before removing grates and burner parts. After cleaning the burner head, dry it completely before re-assembly.
- Assemble the dual-burner spreader so its spark mark is next to the electrode.
- Do not pour water or other liquids into the cooktop.
- Select cookware that is designed for cooktops and that covers the grate. Burner flames should stay fully under the cookware.
- Do not use cookware that is much larger than the grate.
- Turn cookware handles away from active burners and the cooktop front edge.
- Heat frying-oil slowly, and watch as it heats. When frying at high heat, stand at a safe distance, and monitor the oil constantly. If combining fats/oils, mix them together before heating.
- Use a deep-fry thermometer if possible to avoid heating the oil beyond its smoke point.
- Fry with minimal oil. Thaw food fully before frying; do not fry icy or overly cold food. Let oil/fat cool to room temperature before moving the cookware.
- To avoid delayed-eruptive boiling, let oil/fat stand at least 20 seconds after turning off the burner to stabilize the temperature. In case of a burn injury:
  - Immerse the scaled area in cool or lukewarm water for at least 10 minutes.
  - Do not apply any creams, oils, or lotions.
  - Cover with a clean, dry cloth.



# Important Safety Instructions

---

## Installation-Related Safety Instructions, cont.

---

This section consists of general and specific safety instructions surrounding the range's installation.

### **WARNING**

Read these instructions thoroughly to reduce risk of property damage, fire, personal injury, and death, and to ensure proper installation.

#### **Oven Safety**

- Do not use the oven for non-cooking purposes such as drying clothes or storage. Use the oven for cooking purposes only.
- Ensure the oven racks are placed on the same level on each side.
- Do not spray water on the oven glass while the oven is on or just after you turn it off.
- Do not clean the door gasket.
- Do not use cover/line any part of the oven with aluminium foil or like material.
- When using the oven, stand to one side when opening the door.
- Keep the oven free from grease buildup.
- Ensure the oven is completely cool before adjusting the oven racks.
- Do not leave plastic items in the oven.
- To avoid damaging the burner control knobs or oven control, always bake/broil with the oven door closed.
- Do not put meat too close to the broil element; trim excess fat before cooking meat.
- Use cooking bags as directed by the bag manufacturer.
- Do not use abrasive cleaners or metal scrapers to clean the oven-door glass.
- Do not try to operate the oven during a power failure.
- If power fails, turn the oven off. If the oven is not turned off and power returns, the oven may begin to operate again. Unattended food could catch fire or spoil.

#### **Self-Cleaning Oven Safety**

- During self-cleaning, the oven operates at about 800 °F (427 °C). Do not touch any surfaces of the range during a self-cleaning cycle, and keep children away from the oven.
- Before operating the self-clean cycle, wipe excess food residue from the oven. (Excess grease may ignite, causing smoke damage.)
- Before self-cleaning, remove all racks, cookware, and utensils from the oven. Only porcelain-coated oven racks may be left in the oven.
- Stand aside when opening the oven door after self-cleaning.
- If the self-cleaning cycle malfunctions, turn off the oven and circuit breaker, and contact a qualified service technician.
- Fumes released during self-cleaning can be harmful/fatal to pet birds. Move birds to a distant, well-ventilated room.
- Do not use commercial oven cleaner or protective coating on the oven interior/exterior.

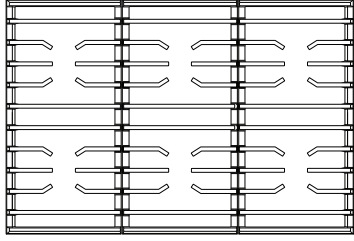
# Product Specifications

---

## What Is Included (DOP48M96D)

---

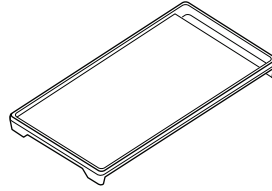
The range comes with brass and porcelain burner caps to suit customer preference.



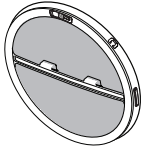
Grates (3)



Burner heads (6) and Burner caps (7)



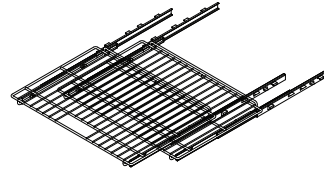
Griddle (1)



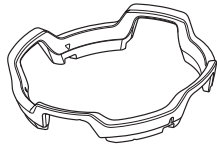
Convection filter (3)



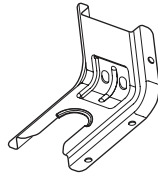
Temp. Probe (2)



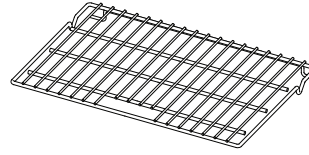
Glide racks (2)



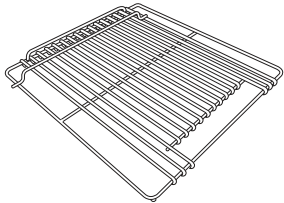
WOK ring (1)



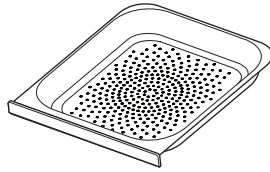
Anti-tip bracket (1)



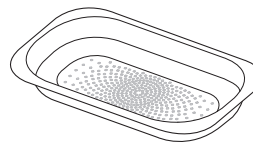
Wire rack (1)



Small rack (1)\*



Steam tray (2)\*



Half steam tray (2)\*

\*Steam ovens only

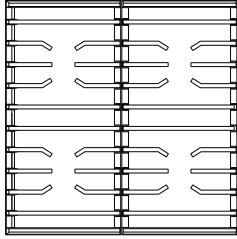
# Product Specifications

---

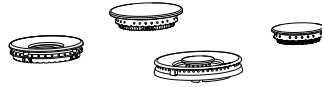
## What Is Included (DOP36M94D)

---

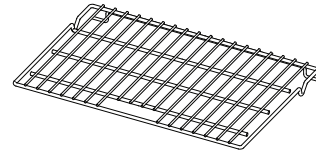
The range comes with brass and porcelain burner caps to suit customer preference.



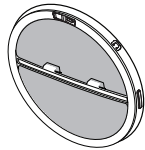
Grates (2)



Burner heads (4) and Burner caps (5)



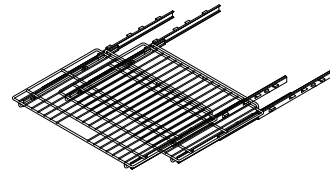
Wire rack (1)



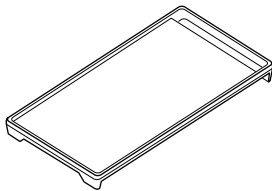
Convection filter (2)



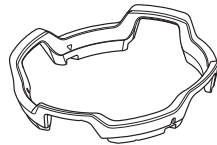
Temp. Probe (1)



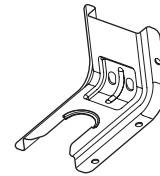
Glide racks (2)



Griddle (1)



WOK ring (1)



Anti-tip bracket (1)

# Product Specifications

---

## Needed Tools and Parts

---

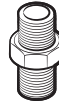
### Parts Needed



Gas line shut-off valve



Flexible metal appliance connector  
½ in (ID) x 5 ft



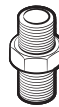
Flare union adapter ¾ in  
(NPT) x ½ in (ID)



135-degree elbow  
(optional)



Lag bolt or ½-in (OD)  
sleeve anchor



Flare union adapter ½ in  
(NPT) x ½ in (ID)

### Tools Needed



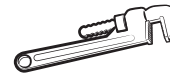
Flat-blade  
screwdriver



Phillips  
screwdriver



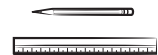
Open-end or  
adjustable wrench



Pipe wrench (2)



Nut driver



Pencil and ruler



Level



Pipe joint  
compound



Utility knife



Soapy water  
solution

# Installation Requirements

---

## Pre-Installation Checklist

---

1. Before installing the range, read this manual thoroughly.
2. Plan for a location where the range will not be subject to strong drafts.
3. Remove packaging, grate boxes, regulator with literature, and literature package from the range, verify that all items are present before beginning the installation.

## General Requirements

---

### Clearances and Dimensions

- For OTR over gas stove, follow the local gas code.
- For safe operation, provide adequate space between the range and combustible surfaces. Location of the electrical outlet and gas piping may be adjusted to meet the dimensions and clearances in this manual.
- The range may be installed flush to the rear wall. A non-combustible material must be installed on the rear wall between the range and hood. It is not necessary to install non-combustible material directly behind the range. Openings in the wall behind the range or in the floor below must be sealed.
- Canada only: A free-standing range shall be installed at least 4.7 in. (12 cm) from all adjacent surfaces.

### CAUTION

The range complies with the maximum allowable wood-cabinet temperature of 194 °F (90 °C). Ensure the adjacent wall covering, countertops, and cabinets can withstand such heat to avoid discoloration, delamination, or melting.

### Minimum Dimensions

### WARNING

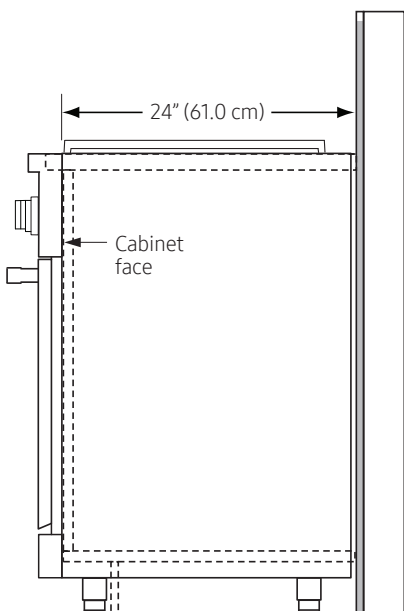
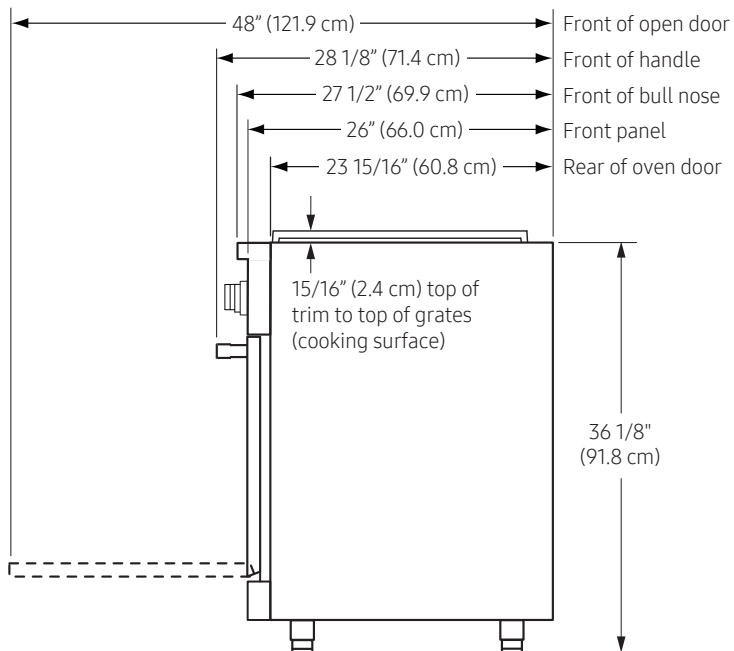
Regarding overhead cabinets, a hood should be installed that projects at least 5" (12.7 cm) beyond the cabinetry face to dissipate heat in those cabinets. The hood must consist of sheet metal at least .0122" thick. Install the hood with at least 1/4" clearance between it and the bottom of the combustible material or metal cabinet. The hood must be at least as wide as the range and centered over it. Clearance between the cook surface and hood bottom must be at least 24". (For above-range cooking appliances, follow that appliance's installation criteria.)

- 30" (76.2 cm) minimum clearance between the cook surface and bottom of an unprotected wood/metal cabinet; or if no 30" (76.2 cm) min. clearance, 24" (61 cm) min. when the bottom of the wood/metal cabinet is protected by at least .25" (.64 cm) flame-retardant millboard covered with at least No. 28 MSG sheet steel, .015" (.038 cm) stainless steel, .024" (.061 cm) aluminum, or .02" (.051 cm) copper.
- 18 in. (45.7 cm) minimum between the countertop and adjacent cabinet bottom.

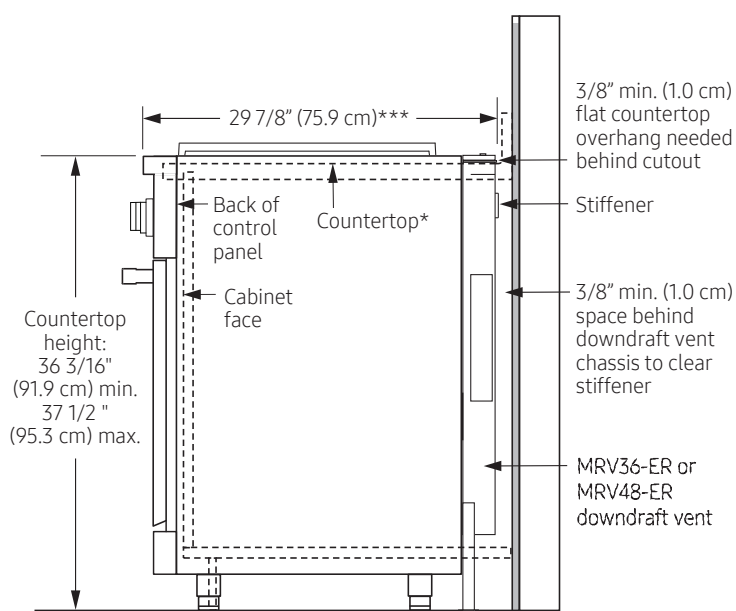
# Installation Requirements

**Product Dimensions**—Product tolerances:  $\pm 1/16"$  ( $\pm 1.6$  mm)

**DOP36M94D:** 35 7/8" (91.1 cm) wide ; **DOP48M96D:** 47 7/8" (121.6 cm)



**Range Installed**



**Range Installed with Downdraft Vent**

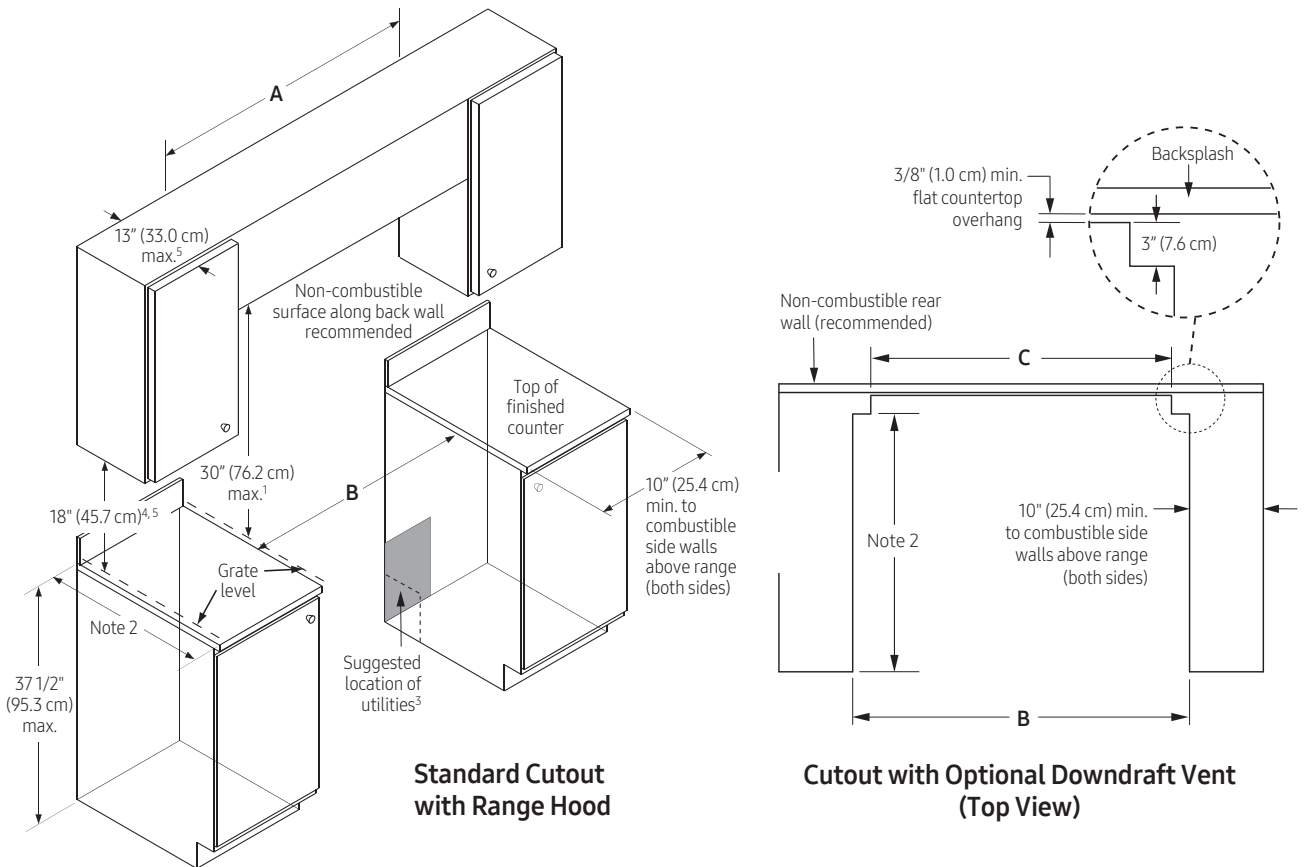
# Installation Requirements

## Cabinet Dimensions

Maintain all max/min dimensions and clearances in the diagrams below for safe use.

CUTOUT DIMENSIONS			
Range Model	A	B	C
<b>DOP36M94D</b>	42" (106.7 cm)*; 36" (91.4 cm)**	36" (91.4 cm)**; 36 1/8" (91.7 cm)***	33 1/2" (84.8 cm)
<b>DOP48M96D</b>	54" (137.2 cm)*; 48" (121.9 cm)**	48" (121.9 cm)**; 48 1/8" (122.2 cm)***	43 1/2" (110.5 cm)

\*Recommended, \*\*Minimum, \*\*\*Maximum

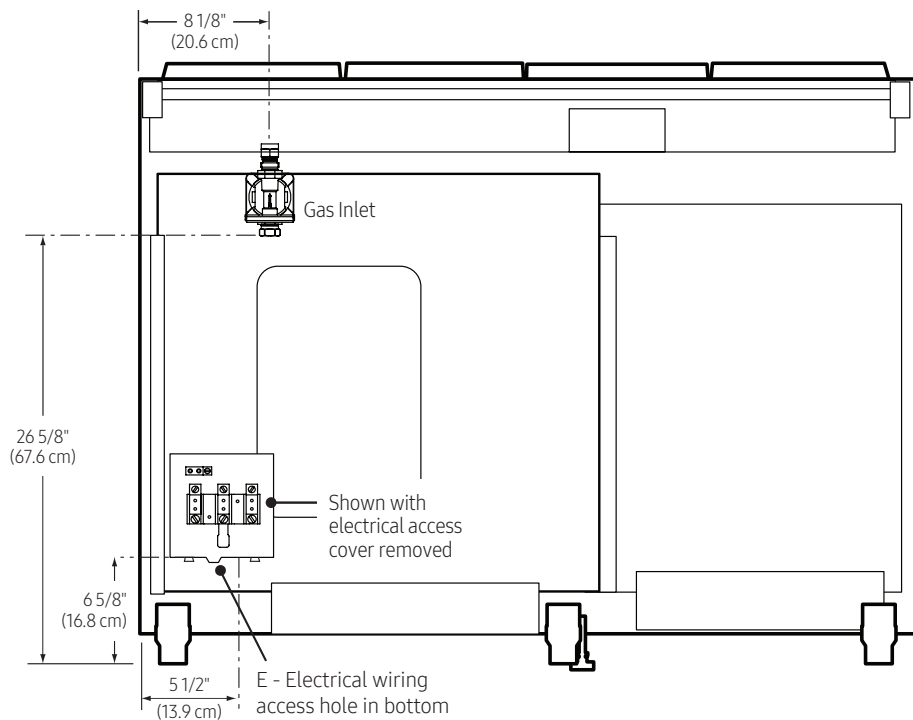


1. Vertical from range grate level to combustible overhead surface; if installing an overhead hood, see hood specifications for minimum required clearances.
2. Cabinet/countertop depth is at the customer's discretion, but cabinet face must not protrude beyond the rear of the front panel. (See **Product Dimensions**, Pg. 14.)
3. Consult local codes for exact location requirements.
4. Vertical from grate level to combustible surface.
5. Does not apply to cabinets more than a horizontal distance of 10" (25.4 cm) from the range edge.

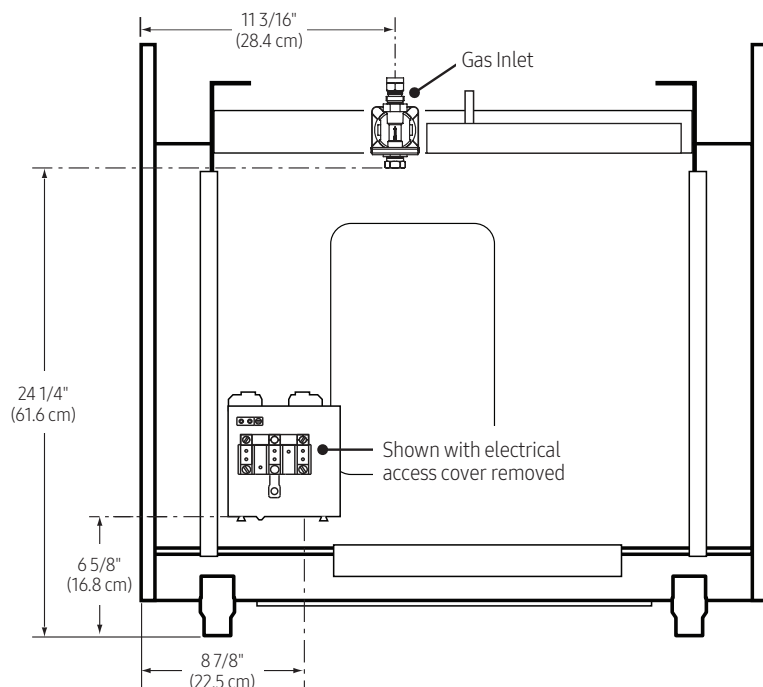
# Installation Requirements

## Location Requirements

### DOP48M96D (rear)



### DOP36M94D (rear)



1. Measurement with appliance legs adjusted to lowest height.
2. The hole size for the electrical wiring may be increased to 1 1/8" (2.9 cm) by removing the conduit bracket in the bottom of the range electrical box.

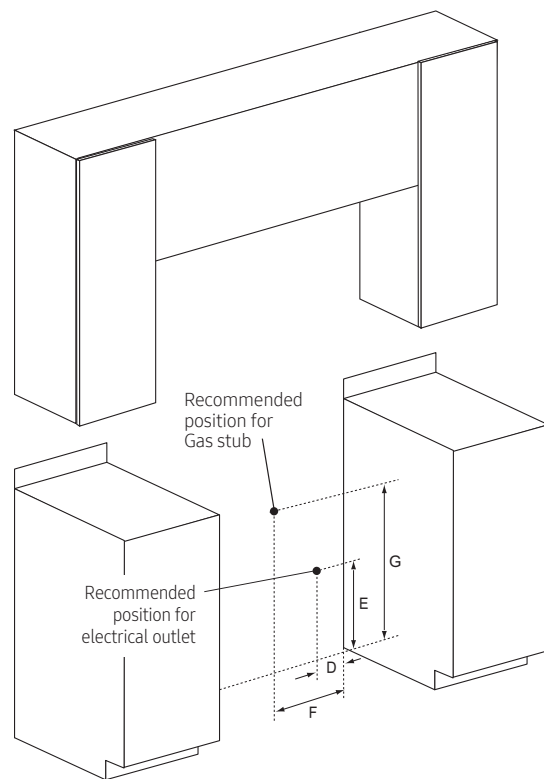


# Installation Requirements

## Gas and Electrical Service

- See below for the recommended location of the gas inlet and electrical junction box/receptacle. Existing utilities may be used if they are compatible with this range. Check local building codes for allowed gas-valve locations.
- An external manual shut-off valve must be installed between the gas inlet and range so the range's gas supply can be turned on/off. Installation must allow access to the gas shut-off valve when the unit is installed and access to the remote circuit-breaker panel/fuse box without moving the range.
- The gas-supply piping and shut-off valve, and the electrical junction box/receptacle must be located so as not to interfere with the range when it is installed.
- The junction box and gas-shut off valve must be located so the range can be pulled out for service without being disconnected.

Model	D	E	F	G
DOP36M94D	8 7/8" (22.5 cm)	6 5/8" (16.8 cm)	11 3/16" (28.4 cm)	24 1/4" (61.6 cm)
DOP48M96D	5 1/2" (13.9 cm)	6 5/8" (16.8 cm)	8 1/8" (20.6 cm)	26 5/8" (67.6 cm)



# Installation Requirements

---

## Gas Requirements

---

### Provide Adequate Gas Supply

This oven's installation must conform to local codes or, in their absence, with the National Fuel Gas Code, ANSI Z223.1/NFPA 54.

This range's cooktop is designed to operate at a manifold pressure of 5 in. (13 cm) of water column for natural gas/natural gas at high altitude (NG-H) or 10 in. (25.4 cm) of water column for LP (propane)/LP at high altitude (LP-H).

Verify that the oven is right for the provided gas service.

When verifying regulator function, inlet pressure must be at least 1 in. (2.5 cm) greater than the operating (manifold) pressure as given.

GAS SUPPLY PRESSURE REQUIREMENTS*		
Gas Type	Minimum Manifold Pressure	Minimum Gas Supply Pressure**
Natural Gas	5" Water Column	6" Water Column
LP (propane) Gas	10" Water Column	11" Water Column

\*The gas supply pressure for testing the regulator setting shall be at least 1" water column (249 Pa) above the specified manifold pressure; \*\*Maximum gas supply pressure for all models: 1/2 psi.

### NOTE

- The pressure regulator at the inlet of the cooktop manifold must stay in the supply line whether or not natural or LP gas is used.
- Use only the range's regulator, which must be installed in the gas line that runs from the cooktop gas inlet to the gas shut-off valve.
- An external manual shut-off valve must be installed between the gas inlet and range for turning on/off gas to the appliance.
- Ensure the connectors are installed by a qualified installer.
- To avoid leaks and personal injury, never install used connectors on a new product. Use only new, flexible connectors.

## Special Gas Requirements (gas models sold in Massachusetts)

---

### WARNING

- Gas leaks may occur in your system, creating a hazardous condition. Such leaks may not be detected by smell alone; thus, gas suppliers recommend installing a UL-approved gas detector per manufacturer specifications.
- The range must be installed by a plumber or gas fitter certified by the State of Massachusetts.
- A T-handle manual gas valve **MUST** be installed in the gas-supply line to your range.
- If using a flexible gas connector, multiple lines must not be connected in series.

# Installation Requirements

---

## Electrical Requirements

---

Follow these directions to reduce risk of property damage, personal injury, or death.

### **⚠ WARNING**

The owner shall ensure that the electrical service meets requirements and that the electrical outlet is installed by a licensed electrician.

### **All Ranges**

- Do not use an extension cord or adapter plug with this range.
- This range must be plugged in to a properly grounded outlet. (Check with a qualified electrician if you doubt that the outlet is properly grounded.)
- Do not alter the power plug. Have a proper outlet installed by a qualified electrician.
- All wiring/grounding must comply with local codes or, in their absence, with the National Electrical Code, ANSI/NFPA No. 70 – Latest Revision (US), or the Canadian Electrical Code CSA C22.1 – Latest Revisions and local codes.
- The wiring diagram is on the back of the range.
- A dedicated circuit breaker is recommended.
- Use this chart to identify the minimum recommended dedicated circuit protection.

KW Rating (240 V)	Recommended Circuit Size (Dedicated)
7.3 KW - 9.6 KW	40 Amp
9.7 KW - 12.0 KW	50 Amp

# Installation Instructions

## Preparing for Installation

### **⚠ WARNING**

- If the gas or electric service provided does not meet the product specifications, do not proceed with the installation. Call the dealer, the gas supplier or a licensed electrician.
- Before installing the range, you must locate and secure the anti-tip bracket to the floor.

### Unpacking the Range

Unpack the parts box and verify that all required components have been provided. If any item is missing or damaged, please contact your dealer immediately. Do not install a damaged or incomplete appliance.

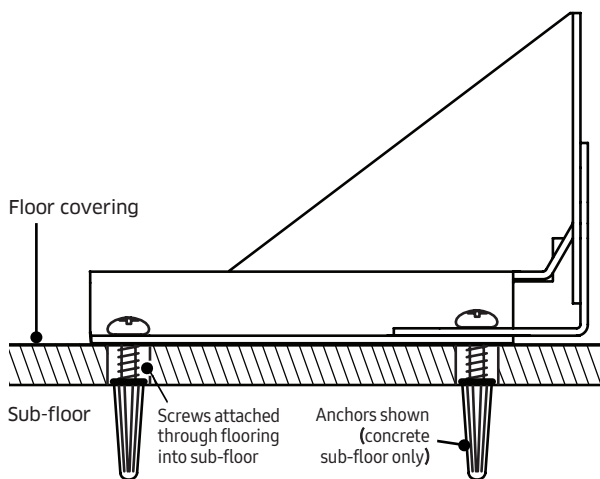
### Installing the Anti-tip Bracket and Foot

There are two ways to mount the anti-tip bracket: Floor mounting (preferred), and wall mounting (Pg. 22). Use this method if floor mounting is unsuitable; however, if the range's front panel is over 26 1/2" (67.3 cm) from the back wall or if the floor is too thick, floor mounting must be used.

#### Floor-Mounting the Anti-Tip Bracket

### **⚠ WARNING**

To perform as designed, the anti-tip bracket must attach to the concrete slab or wood sub-floor below any upper flooring (including cement board). Do not attach the anti-tip bracket directly to floor coverings such as ceramic/asphalt tile or linoleum.



- Four plastic anchors are provided with three sizes (4 each) of #8 or #12 Phillips head screws for attaching the anti-tip bracket to the floor. Use both anchors and four of the screws to attach the bracket to a concrete sub-floor. Do not use anchors on a wood sub-floor.
- Determine the location of the range center line and front panel for the range's final position based on the Product Dimensions (Pg. 14) and the actual cabinet/cutout dimensions used for the installation.

# Installation Instructions

## Floor-Mounting the Anti-Tip Bracket, cont.

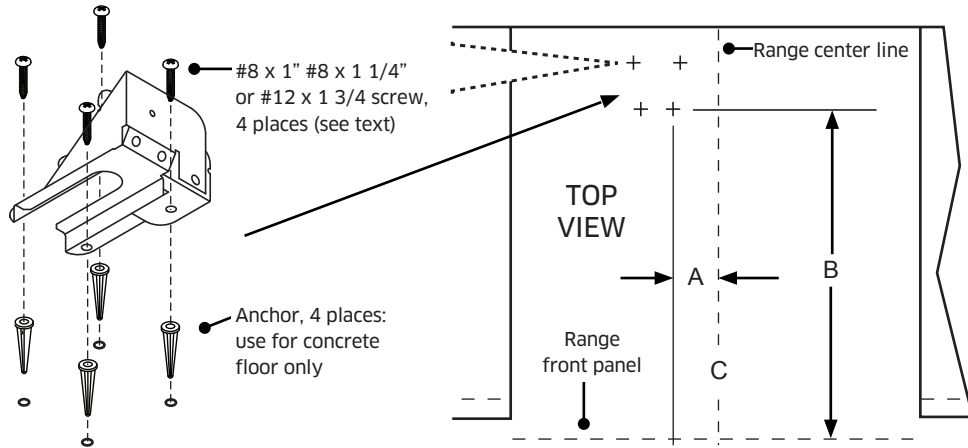
- Determine the required position of the anti-tip bracket, based on the diagram below. Mark the 4 mounting-hole locations on the floor with a pencil.
- Determine the screw size. The minimum full thread depth (portion of screw threaded into wood/slab) is 3/8" (1 cm) for wood and 5/8" (1.6 cm) for concrete. (See **SCREW SIZE** table, below, for correct screw sizes.)

### Attaching the Bracket to a Concrete Floor

1. Drill four 3/8" dia. countersink holes through flooring **to but not into** the concrete.
2. Through these holes, drill 4 anchor holes 1-1/4" (3.2 cm) into the concrete with a 3/16" masonry bit. This hole length is longer than the anchor. Clean out the holes, and tap in each anchor so its top is flush with the concrete surface.
3. Align the bracket and anchor holes, then insert and tighten the screws.

### Attaching the Bracket to a Wood Floor

1. Ceramic, stone, other hard flooring over wood: Drill 4 countersink holes to access the wood for drilling pilot holes.
2. Drill 4 pilot holes in the wood with a drill bit (1/16" dia. for #8 screws, 1/8" dia. for #12 screws). Align the bracket and pilot holes, then insert and tighten the screws.



ANTI-TIP BRACKET PLACEMENT		
Dim.	DOP36M94D	DOP48M96D
A	13" (33.0 cm)	3 1/2" (8.9 cm)
B	22 1/2" (57.2 cm)	22 1/2" (57.2 cm)

SCREW SIZE	
Sub-Floor Type/Floor Covering Thickness	Screw Size
Concrete/wood subfloor, no floor covering over top	#8 x 1*
Concrete/wood subfloor, floor covering up to 1/4" thick	
Concrete/wood subfloor, floor covering over 1/4" up to 1/2" thick	#8 x 1 1/4*
Wood sub-floor, floor covering over 1/2" and up to 1 3/16" thick	#12 x 1 3/4*
Concrete under floor covering over 1/2" thick	Purchase separately**
Wood under floor covering over 1 3/16" thick	

\*Included with range;  
 \*\*determine required depth based on info in Step 3, and purchase from hardware store.

# Installation Instructions

## Installing the Anti-Tip Bracket and Foot, cont.

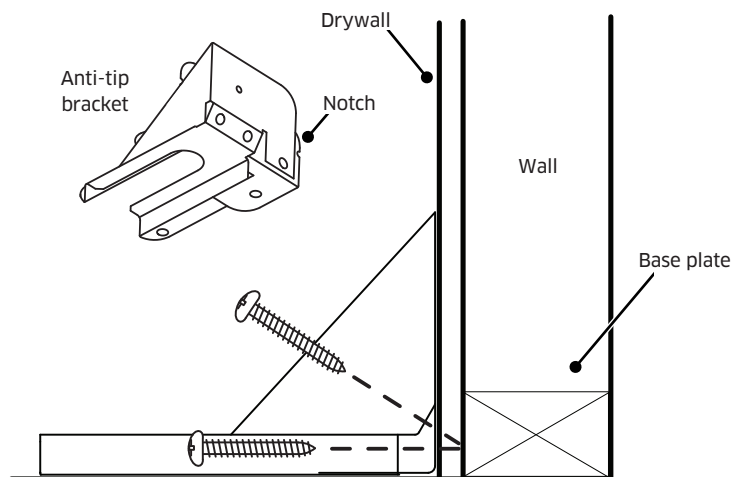
### Wall-Mounting the Anti-Tip Bracket

For this option to be suitable, the range front panel must be 26 1/2" (67.3 cm) or less from the wall, and the bracket screws must be able to engage the base plate inside the wall. Notches on the sides of the bracket indicate the minimum height of the base plate and that any floor covering thickness will not impede secure threading.

To determine if the base height is suitable:

- Determine the location of the range centerline and front panel when the range is in its final position based on the product dimensions on Pg. 14 and the actual cabinet/cutout dimensions used for the installation.
- Determine and mark the required position of the anti-tip bracket, based on the diagram on Pg. 21. Push the bracket up against the wall in the mounting location.
- With a pencil, make a dot next to the notches on both sides of the bracket. Determine if the base plate is as high as the notches by drilling test holes into the wall at both dots with a 1/16" drill bit. Drill just deep enough to see if the bit contacts the base plate. If there is contact, the location will support wall installation of the bracket. If there is no contact, wall mounting is unsuitable, and either floor mounting must be used, or the wall must be altered so there is base material above the notches.

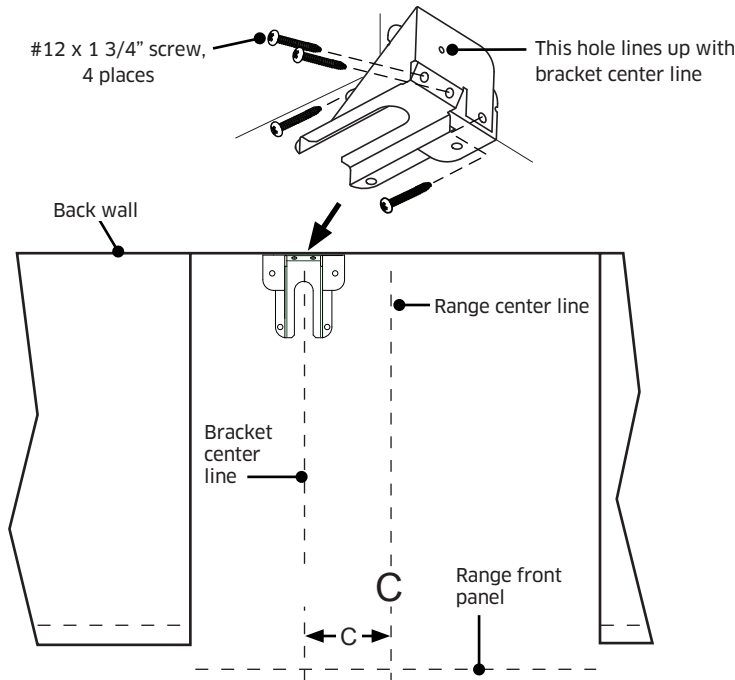
To install the bracket, place it against the wall in the mounting location. Using a drill with 1/8" diameter drill bit, drill four (4) 1 5/8" deep pilot holes perpendicular to the screw seating surfaces shown below. Attach the bracket to the wall as shown with the four (4) included #12 x 1 3/4 screws.



# Installation Instructions

## Preparing for Installation, cont.

### Wall-Mounting the Anti-Tip Bracket, cont.

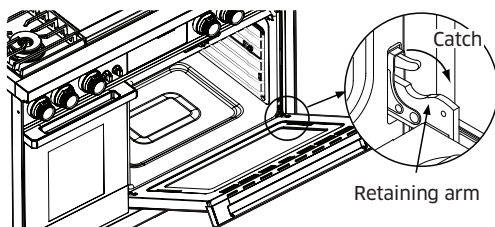


ANTI-TIP BRACKET PLACEMENT		
Dimension	DOP36M94D	DOP48M96D
C	14 1/8" (35.9 cm)	3 1/2" (8.9 cm)

### Removing the Oven Door

#### **⚠ WARNING**

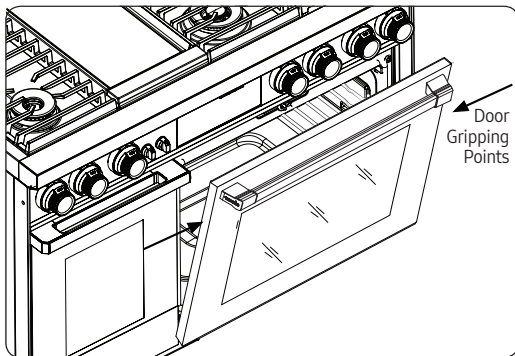
- Do not try to disengage the hinge catches with the door(s) removed. The hinge springs could release causing personal injury.
- Do not lift or carry the oven door(s) by the handle.



1. Open the door fully.
2. With needle-nose pliers or a slotted screwdriver, rotate the catch over the retaining arm on each hinge.

# Installation Instructions

## Removing the Oven Door, cont.



3. Lift the oven door to about a 15° angle from vertical.
4. With both hands, grasp the door just below the handle, and pull up slightly.
5. On the bottom-right edge of the door, pull out the wire connector, and disconnect the wires.
6. Lift the door away from the oven.

## Electrical Connection

### CAUTION

For personal safety, do not use an extension cord with the range. Remove the house fuse or open the circuit breaker before starting the installation.

The range must receive the proper voltage and frequency and connect to an individual, properly grounded branch circuit protected by a circuit breaker or fuse having amperage as specified on the rating plate (left-side door trim). The range's power hookup should be done by a qualified electrician. After installation, have the electrician show you where to turn off power to the range. Consult local utilities for applicable codes. Failure to wire your oven per these codes could create a safety hazard. If there are no such codes, your range must be wired and fused per the National Electrical Code, ANSI/NFPA No. 70–Latest Edition. For a copy, write: National Fire Protection Association, Batterymarch Park, Quincy, MA 02269

**Effective Jan. 1, 1996, the National Electrical Code requires that new construction use a 4-conductor connection to an electric range. When installing an electric range in new construction, follow Steps 2 and 3 for 4-wire connection.**

- A 3-wire or 4-wire, single-phase A.C. 240 Volt, 60 hertz electrical system is required. If the home electrical service does not meet the above specifications, have a licensed electrician install an approved outlet.
- Use only a 3-conductor or a 4-conductor UL-listed range cord. These cords may be provided with ring terminals on wire and a strain relief device.
- A range cord rated at 40 amps with 125/250 minimum volt range is required. (A 50 amp range cord is not recommended but if used, it should be marked for use with nominal 1 $\frac{3}{8}$ " diameter connection openings. Center the cable and strain relief within the knockout hole to keep the edge from damaging the cable.)
- Because range terminals are inaccessible when the range is in position, flexible conduit/cord must be used.

### NOTE

If conduit is being used, see Pg. 25.



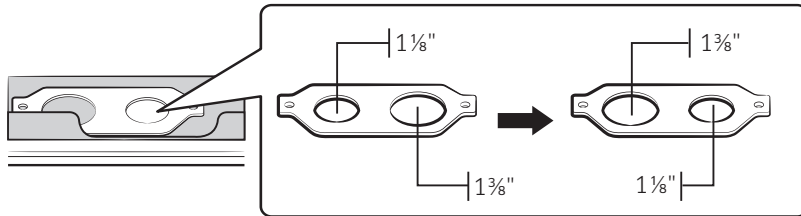
**ALL NEW BRANCH-CIRCUIT CONSTRUCTION, MOBILE HOMES, RECREATIONAL VEHICLES, AND INSTALLATIONS WHERE LOCAL CODES PROHIBIT GROUNDING THROUGH NEUTRAL, REQUIRE A 4-CONDUCTOR UL-LISTED RANGE CORD.**



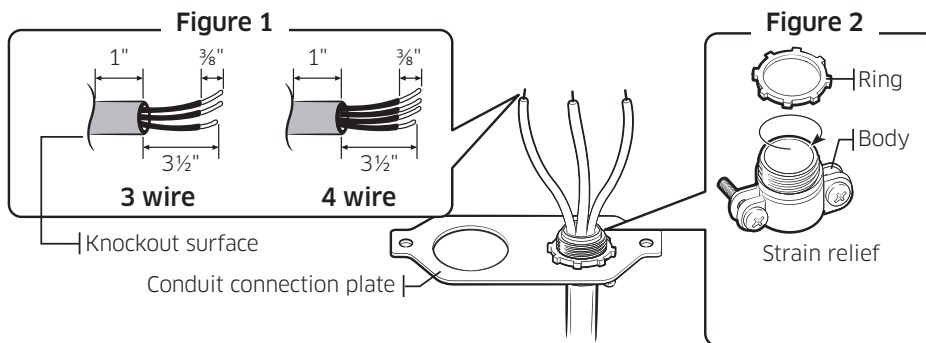
# Installation Instructions

## Installing the Flexible Conduit

Remove the conduit connection plate from the rear of the drawer body, and flip it as shown. (Use the 1 $\frac{1}{8}$ " hole.)



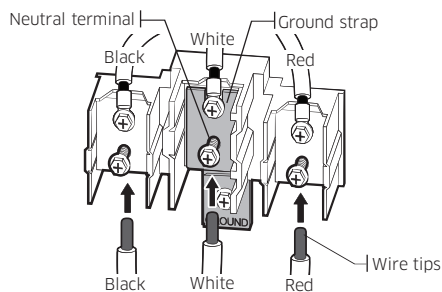
1. Prepare the conduit cord (Figure 1).
2. Install the conduit cord (Figure 2).



Conduit installations: Insert the strain relief (not included) in the 1 $\frac{1}{8}$ " conduit hole, thread the conduit cord through the body of the strain relief, and fasten the ring, then reinstall the bracket.

## Installing a 3-wire Conduit

- Aluminum building wire may be used but must be rated for the correct amperage and voltage. Connect wires according to Step 4 depending on the number of wires.
- Wire used, location/enclosure of splices, etc., must follow good wiring practices and local codes.



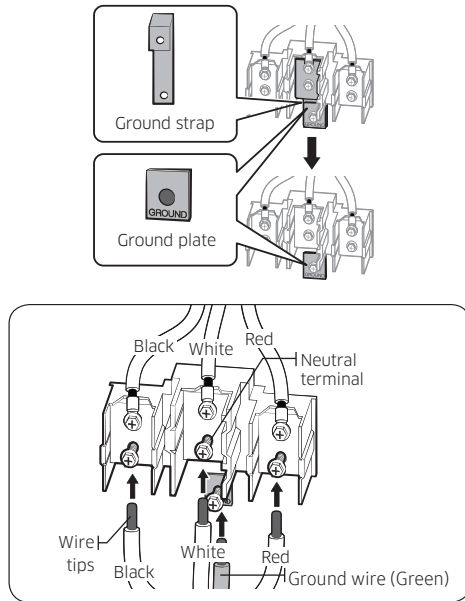
1. Loosen the three lower screws on the terminal block.
2. Insert the white/neutral bare wire tip through the bottom-center block opening. (Some models: the wire inserted through the ground-strap opening into the bottom-center block opening.)
3. Insert the left and right wire tips into their respective block openings.
4. Tighten the screws to 35 – 50 in.-lbs. (Any tighter may damage the wires.)

# Installation Instructions

## Installing the Flexible Conduit, cont.

### Installing a 4-wire conduit

- Aluminum building wire may be used but it must be rated for the correct amperage and voltage. Connect wires according to this Step 4 depending on the number of wires.
- Wire used, location and enclosure of splices, etc., must conform to good wiring practices and local codes.



1. Loosen the 3 lower screws on the terminal block. Remove and retain the ground screw and ground plate.
2. Cut and discard the ground strap. **Do not discard any screws.**
3. Insert the ground bare wire tip between the range frame and ground plate (removed earlier), and secure it with the ground screw (removed earlier).
4. Insert the wire (white/neutral) tip through the bottom center of the block opening.
5. Insert the left and right wire tips into their respective block openings.
6. Tighten the screws to 35 – 50 in.-lbs. (Any tighter may damage the wires.)

## Gas Connection

### ⚠ WARNING

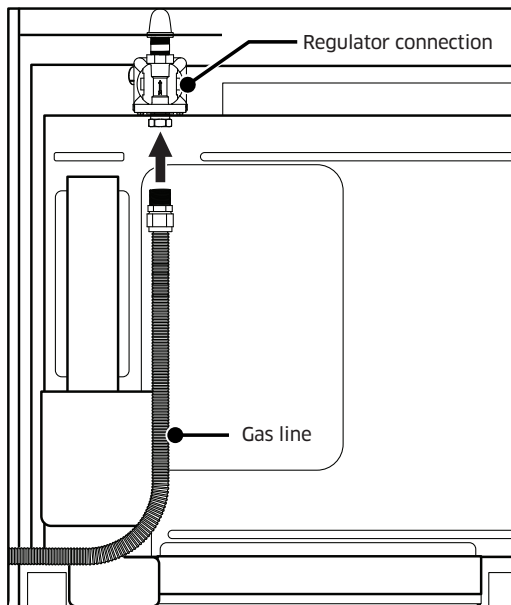
- Turn off the gas-supply valve, and turn off power to the range at the circuit breaker or fuse box before connecting the gas line.
- Do not apply excessive pressure when tightening gas connections and fittings.
- Do not use Teflon tape or plumber's putty on gas flex-line connections.
- Maximum gas-supply pressure to the regulator must not exceed ½ psi (pounds per square inch) or 3.5 kPa.
- The range and shut-off valve must be disconnected from the gas-supply piping for pressure testing that exceeds ½ psi (3.5 kPa).
- The range must be isolated from the gas-supply piping by closing the shut-off valve for pressure testing at or below ½ psi (3.5 kPa).
- Check all gas lines for leaks as instructed to avoid fire/explosions hazard. Do not check for leaks with a flame.

### 📄 NOTE

The gas-pressure regulator is factory set for the type of gas used with the range. To verify that the range is compatible with the available gas, see the rating label (oven left door trim). Consult your dealer if the range is incompatible with the supplied gas.

# Installation Instructions

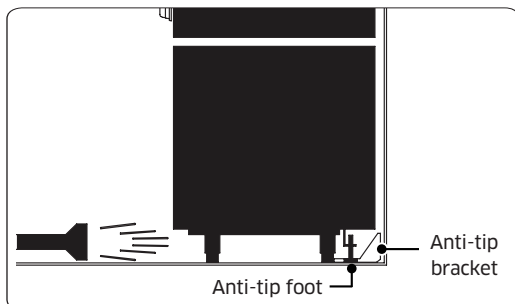
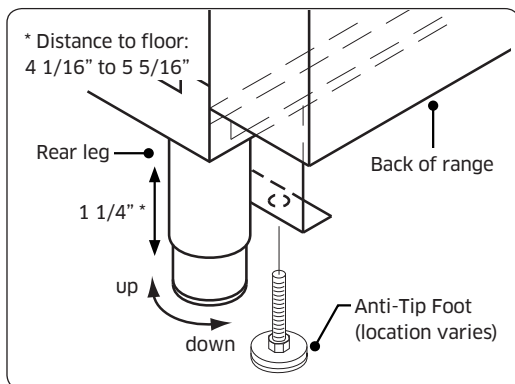
## Gas Connection, cont.



### Before sliding the range into the cabinet

1. Turn off the gas-supply valve, and turn off power to the range.
2. Connect a flexible gas line to the shut-off valve installed on the stub out. The line must be long enough that the range can be pulled out for service without disconnecting the line.
3. Slide the gas line up through the chassis' access holes to the regulator. (Move the wires inside the access holes to keep them from catching on the gas line.)
4. Connect the gas line to the regulator.
5. Turn off all cooktop controls, then turn on the gas supply.
6. With a soap-and-water solution, check all lines and connections for leaks.
7. Turn off the gas-supply valve.

## Final Installation



1. Peel the protective sheeting from the range.
2. Measure from floor to countertop. Adjust the leveling legs as needed to position the trim around the cooktop even with or above the countertop.
3. Turn to lower the anti-tip foot at the back of the range until it is 1/16" (2 mm) off the floor.
4. Slide the range into the cutout so the anti-tip foot engages the anti-tip bracket. (Use a flashlight to verify.)
5. With a level, check that the range does not tilt in any direction. (Adjust the legs to level the range as needed.)

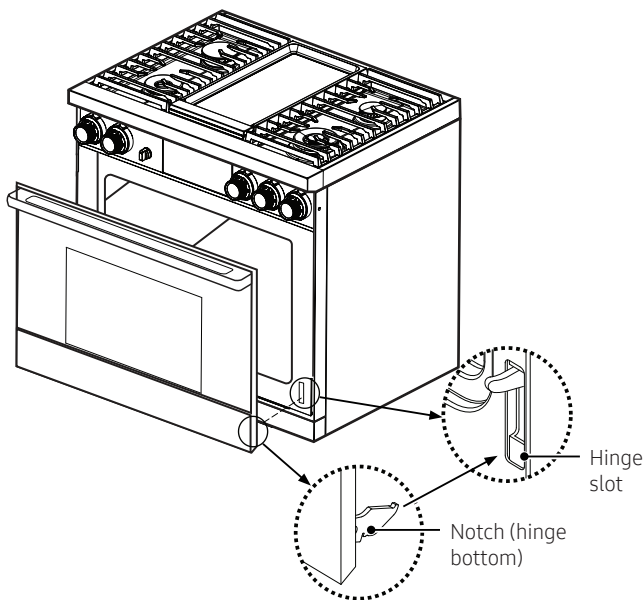
# Installation Instructions

## Reinstalling the Oven Door(s)

### **⚠ WARNING**

To avoid personal injury or damage to the door from it falling off its hinges:

- Make sure that the notch on the bottom of each hinge rests on the lower lip of each hinge receptacle before trying to open the oven door.
  - Flip the hinge locks toward the front of the range immediately after installation of the door.
1. Grasp the oven door on both sides, and hold it at a 15° angle from the front of the oven. Slide the hinges into their slots, resting the bottom of the hinge arms on the hinge receptacles. Maintain the 15° angle with one hand while pushing in on each bottom corner of the door, until the notch on the bottom of each hinge slips over the lower lip of each hinge receptacle.

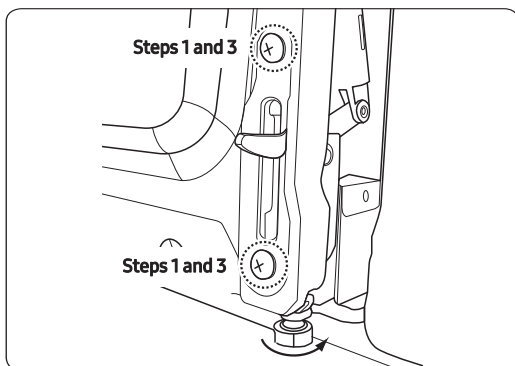


### **📄 NOTE**

Wire connector under the right side of the door should be connected.

2. Lower the door to the fully opened position.
3. Rotate the two hinge locks toward the oven.
4. Slowly and carefully open and close the door completely to ensure that it is properly installed.
5. Remove any packaging from inside the oven(s).

## Adjusting the Door (DOP48M96D only)



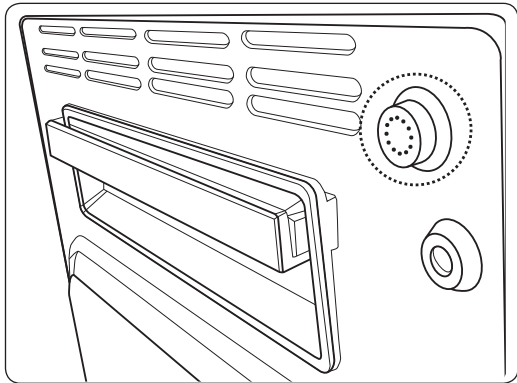
Ensure the oven doors are parallel and flush. To do this, use the three bolts (one on the right-upper side, and one under the each hinge). The upper bolt adjusts the door horizontally. The lower two bolts adjust the door vertically.

### **To adjust door vertically:**

1. Remove the door, then remove 2 screws on each door-hinge latch.
2. Adjust the bolt under each latch.
3. Re-attach and tighten the 2 screws.
4. Re-install the door.

# Installation Instructions

## Adjusting the Door (DOP48M96D only), cont.



### NOTE

Lifting the door-hinge latches too much makes fastening the two screws difficult.

To adjust door side to side, turn the upper bolt (see left).

## Installing the Burner-Control Knobs

### WARNING

Installing the range knobs in the wrong position may result in damage to the griddle included with the range. The knobs for the center burners are marked with the maximum griddle settings.

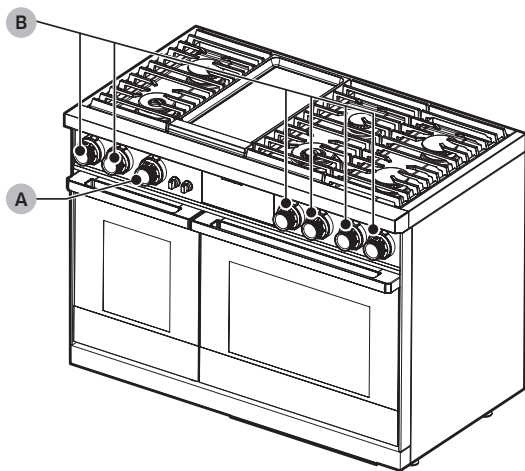
### NOTE

When installing the knobs, align the “D” shaped opening on the back of the knob with the end of the valve shaft. Gently push the knob on until it stops.

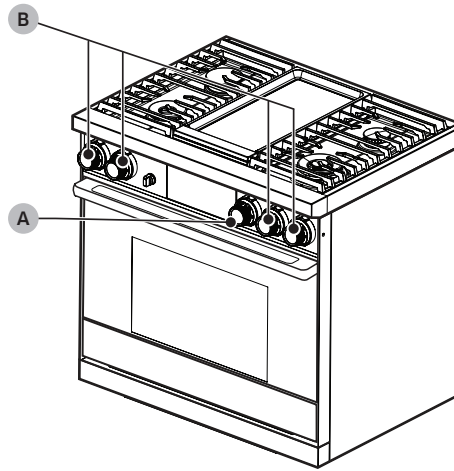
Two types of knobs come with the range: Griddle (no flame icon) and burner.

1. Put the griddle knob on Position A.
2. Put the remaining knobs on Position B.

48" Model: DOP48M96D



36" Model: DOP36M94D



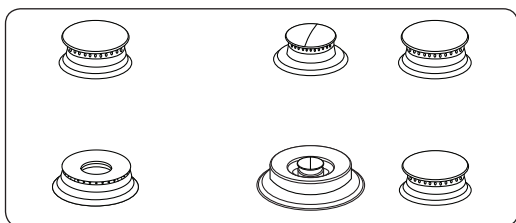
# Installation Instructions

## Rangetop Assembly

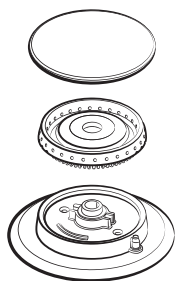
### Assembling the Burners

#### ⚠ CAUTION

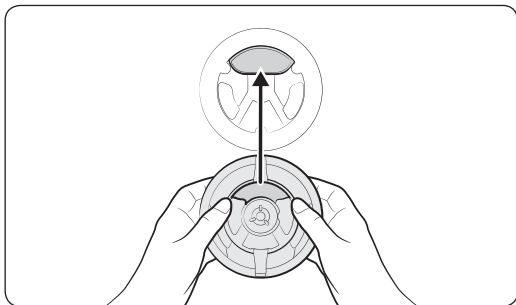
- Do not operate the rangetop burners unless properly assembled.
- Do not push in a rangetop knob while removing the burner; a slight electrical shock might result.
- Do not remove the top or touch a burner electrode while another burner is on.



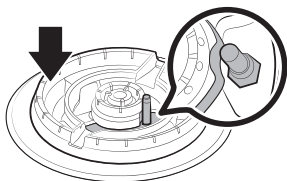
1. Place the burner heads on the burner bases as shown at left. (The electrodes fit in the slot in the bottom of the heads.) The heads should be flat and parallel to the rangetop.
2. Place the matching size caps on top of each rangetop burner head.



### Dual Burner Head/Cap



1. Orient the burner head so the electrode opening aligns with the electrode.

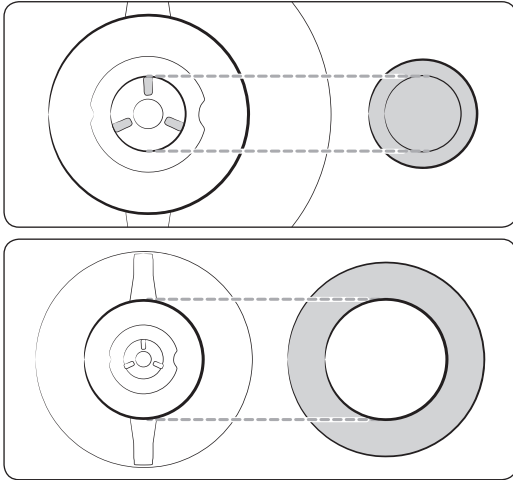


2. Install the burner head so the electrode passes through its opening in the head. Ensure the burner head lies flat atop the base.

# Installation Instructions

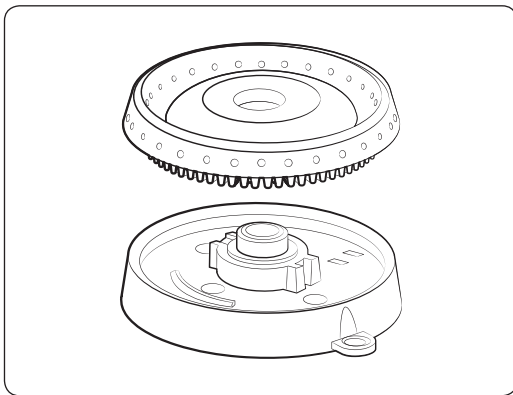
---

## Dual Burner Head/Cap, cont.



3. Match the burner caps to the burners by size, then install the caps on the heads.

## Round Burner Head/Cap



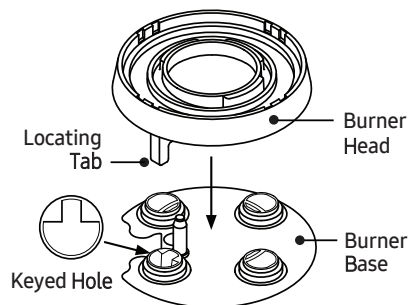
1. Put the burner heads on the burner bases as shown at left. The bottom of the head fits within the burner base.
2. Turn the head until it drops into place. Twist the head back and forth slightly to ensure it is properly seated.
3. Put the burner caps (brass or porcelain) atop the burner heads. The ridge around the bottom edge of the cap fits around the top of the burner head.

### **CAUTION**

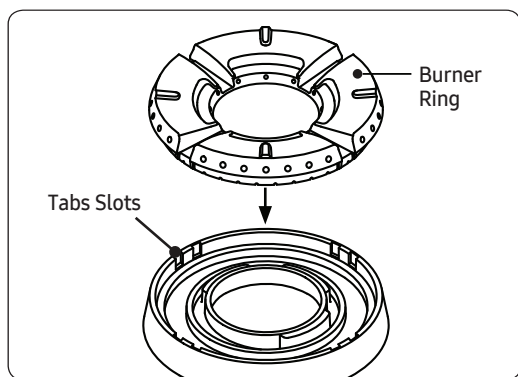
Ensure all burner components (heads and caps) rest flat and snugly in place.

# Installation Instructions

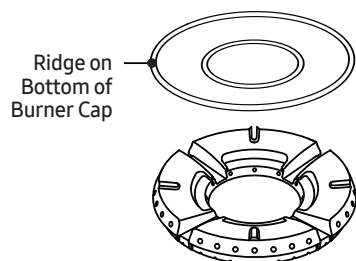
## SimmerSear Assembly



1. Put the burner heads in place as shown. The locating tab on the burner head goes in the keyed hole as shown.



2. Put the burner rings on the burner heads as shown. Match the tabs on the bottom of the ring to the slots on the head. Twist each ring back and forth slightly to verify it is properly seated.



3. Put the burner caps on the burner rings. Use either the supplied brass or porcelain caps. The ridge around the bottom edge of the cap goes around the top of the burner ring.

### **WARNING**

Be sure electrical power is off and all surfaces are cool before cleaning any part of the cooktop.



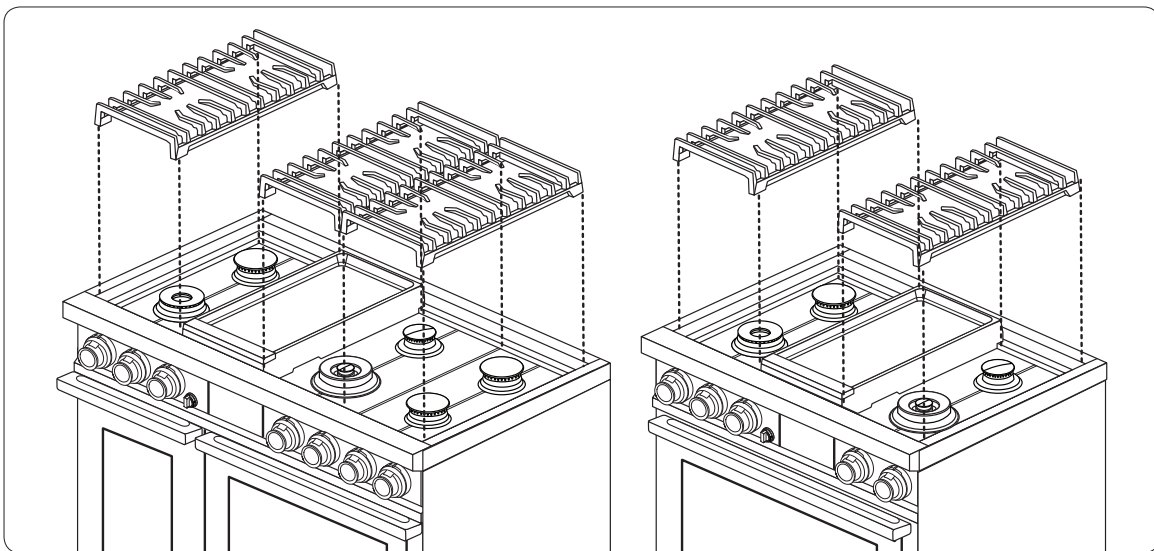
# Installation Instructions

## Installing the Grates

For best results and longest life, install the grates as instructed. When installed properly, the openings in the grates are centered over the burners. The grates occupy specific positions on the rangetop. For maximum stability and safe operation, these grates should only be used in their proper positions. The back of the right grate is notched to help orient the grates correctly. (See the graphic below.)

### To correctly position the grates:

1. Find the notch on the back of the right-hand grate, and orient the grate properly above the right-hand burners.
2. Gently lower the right-hand grate so its legs rest in the corresponding dimples on the cooktop.
3. Likewise place the remaining grates so their feet rest in the corresponding dimples.



### NOTE

Grates are not interchangeable. Each grate has own engraving under it. It tells you which the front side of grate is and proper position, left, center or right.

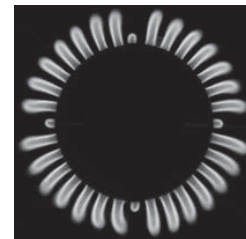
# Installation Instructions

---

## Verifying Proper Operation

---

1. Before starting the test procedure, turn off all burners, and see that all burner components and grates are properly positioned.
2. Open the gas-supply valve, and check for gas leaks.
3. Turn on power to the range at the circuit breaker or fuse box.
4. Use the oven display to set user preferences and wireless network settings.
5. On the display, tap MENU > BAKE. (The default bake temperature should appear.)
6. Tap Start. In 3 minutes, open the door to see that the oven chamber is heating. (The display should show BAKE and the preheating temperature.)
7. Tap OFF.
8. Push a knob in, and turn it counterclockwise to HIGH. (Within 4 seconds, ignition occurs, and the igniter stops sparking. If ignition does not occur as expected, turn off the knob, wait 5 minutes for the gas to dissipate, then retry the test.)
9. After ignition, turn the control knob from HIGH to LOW while watching the flame height. If the range is installed properly, the flame is steady and quiet with a sharp, blue inner cone that varies in length depending on the burner size.
10. Turn the control knob OFF.
11. Repeat the ignition test for the remaining burners.



Normal Flame

If the range does not operate properly:

1. Verify that power and gas are supplied to the range.
2. Check the electrical connections and gas supply to verify proper installation.
3. Repeat the above bake test and burner-ignition test.
4. If the range still does not work, contact Dacor Customer Assurance: (800) 793-0093 x2813. Be ready with the model/serial numbers. (See the data label, left-side door trim.)

Do not try to repair the range yourself. Dacor is not responsible for the cost of correcting problems caused by a faulty installation.

## Removing and Reinstalling the Range

---

### Removing the Range for Service

1. Close the gas-supply valve.
2. Turn off power to the range at the circuit breaker or fuse box.
3. Pull the range out from the wall

### Reinstalling the Range After Service

1. Push the range into position, engaging the anti-tip bracket.
2. Turn on power to the range at the circuit breaker or fuse box.
3. Open the gas-supply valve.

# Installation Instructions

---

## Installation Checklist

---

### **WARNING**

The installer should complete this checklist to ensure thorough, proper installation. Proper installation is the responsibility of the homeowner.

- Was the plastic sheeting peeled off the range exterior?
- Was all packaging removed from the oven chamber?
- Do all leveling legs contact the floor? Is the unit level? (Pg. 27.)
- Was the range secured with the anti-tip bracket and foot as instructed? (Pgs. 20 – 23.)
- Was the gas-supply inlet pressure measured to ensure it does not exceed the maximums stated in these instructions. (Pg. 18.)
- Is the range connected to the gas supply as instructed and according to applicable codes? Was the gas supply checked for leaks? Was the regulator cover re-installed? (Pg. 25 – 27.)
- Is the oven door installed as instructed? (Pg. 28 – 29.)
- Were the burner knobs properly installed? (Pg. 29.)
- Are the burners (Pg. 30 – 32) and grates (Pg. 33) installed as instructed?
- Was proper operation verified?
- Was the warranty activated online or the warranty card filled out and mailed?

***dacor***

LET THE SHOW BEGIN



DG68-00936A-00