

48-Inch Dual-Fuel Steam Range with Embedded Griddle



\$12,999 | TRANSITIONAL



DOP48T963DS/DA – Silver Stainless, Natural Gas/Liquid Propane

Features & Benefits

- Dual Four-Part Pure Convection system
- Simmersear™ brass burners
- Steam-assist oven
- Motorized 7" LCD control panel with SmartThings Wi-Fi connectivity
- Embedded electric griddle
- Auto Connect to compatible ventilation through Bluetooth
- Air sous vide
- Digital temperature probe
- Self-clean oven
- Perma-Flame
- LP conversion kit
- Voice commands through Bixby/Alexa/Google

Controls

CONTROL TYPE	7" Motorized LCD Touchscreen & Knobs
CHEF MODE™ GUIDED COOKING	Yes
ILLUMINA™ KNOBS	White
WI-FI + SMARTTHINGS	Yes
BLUETOOTH AUTO CONNECT™ VENTILATION	Yes
CONTROL SHOWER LIGHTING	Yes
CLOCK	Yes
DELAY START	Yes
KITCHEN TIMER	Yes
CHILD LOCK	Yes
SABBATH MODE	Yes

Oven	
OVEN CAPACITY (CU. FT.)	6.4 (Large Oven), 2.4 (Small Oven)
CONVECTION	Dual Four-Part Pure Convection
STEAM	Steam Assist
BAKE ELEMENT	3,000W - 8 Pass (Large Oven), 1,000W (Small Oven)
BROIL ELEMENT	4,400W - 10 Pass (Large Oven), 2,400W (Small Oven)
CONVECTION ELEMENT	2 x 1,300W (Large Oven), 1,300W (Small Oven)
INSTANTHEAT™ (NO PREHEAT)	Yes
TEMPERATURE PROBE	Yes
LIGHTING	Brightvue™ - LED & Halogen
SELF-CLEAN	Self-Clean, GreenClean™
SOFTSHUT™	Yes

Cooktop	
NUMBER OF BURNERS	6
PERMA-FLARE™ (AUTO RE-IGNITION)	Yes
LEFT FRONT (BTU)	18,000
LEFT REAR (BTU)	16,000
CENTER FRONT (BTU)	22,000
CENTER REAR (BTU)	9,000
RIGHT FRONT (BTU)	16,000
RIGHT REAR (BTU)	16,000
BRASS BURNING CAPS	Yes
GRIDDLE	1,630W
WOK RING	Yes

Weights & Dimensions	
NET WEIGHT (LBS.)	578
SHIPPING WEIGHT (LBS.)	660
PRODUCT DIMENSIONS (W X H X D IN INCHES)	47 ^{-7/8} x 36 x 28 ^{-3/4}

Technical Details	
ELECTRICAL REQUIREMENT	240V, 60 Hz
AVAILABLE FUEL TYPES	Natural Gas, Liquid Propane
LP CONVERSION KIT (INCLUDED)	Yes

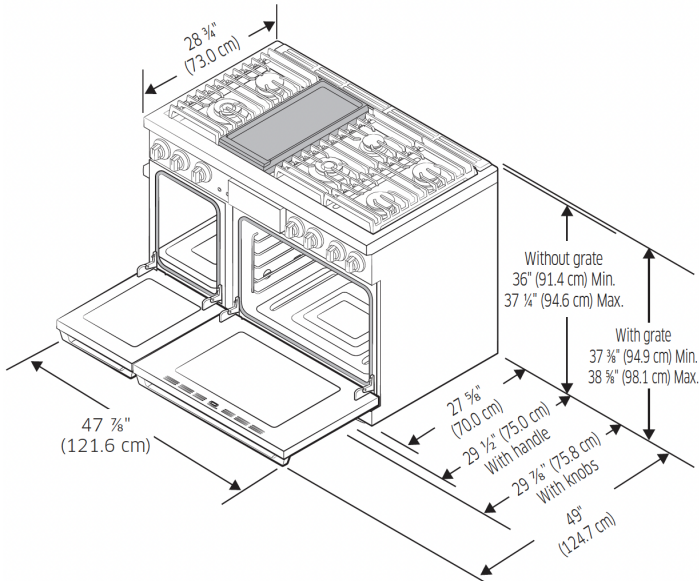
Warranty	
FULL COVERAGE	2 Years

48-Inch Dual-Fuel Steam Range with Embedded Griddle

dacor

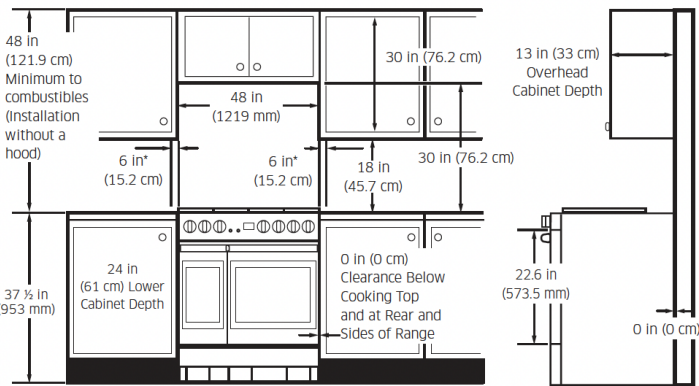
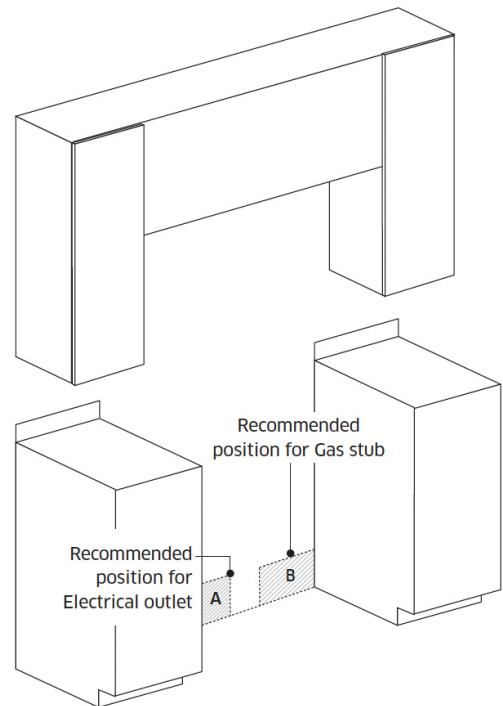
\$12,999 | TRANSITIONAL

Product Dimensions



Installation Requirements

A - ELECTRICAL OUTLET (IN/CM)	9 7/8 (W) x 6 7/8 (H) (25.1 cm x 17.5 cm)
B - GAS PIPING (IN/CM)	17 1/16 (W) x 5 3/8 (H) (45.5 cm x 13.8 cm)



* Side clearance above cooking surface to any objects, i.e., wall.