



30-INCH CHIMNEY WALL HOOD

DHD30M700W



AVAILABLE MODELS

- DHD30M700WS Silver Stainless Steel
- DHD30M700WM Graphite Stainless Steel

FEATURES & BENEFITS

- Elegant control panel for easy control of lights, fan speed and timer.
- Four speed fan provides great performance while minimizing noise.
- Auto Connect turns on fan when cooktop is started.
- Auto ON turns hood on automatically if high temperatures are sensed.
- Strip LED lighting provides energy efficiency and a bright cooking area.

CONTROL FEATURES

FAN SPEEDS	4 (3 STEP + BOOSTER)
CONTROL TYPE	TOUCH
AUTO SENSING	YES (HEAT SENSOR)
LOCATION	FRONT - CENTER
WI-FI AUTO CONNECT BUTTON	YES
BLUETOOTH CONNECT BUTTON	YES

ADDITIONAL FEATURES

FILTER TYPE	BAFFLE
REMOVABLE FILTER	YES
LIGHTING	STRIP LED

PERFORMANCE

CFM	390 CFM (600 CFM CAPABLE)
-----	---------------------------

CONNECTIVITY FEATURES

MONITORING	YES
FAN SPEED	YES
LIGHTING ON/OFF	YES
POWER CONTROL	YES

TECHNICAL DETAILS

CIRCUIT BREAKER (A)	15
VOLTS (V)	120
FREQUENCY (HZ)	60
ENERGY SOURCE	ELECTRIC

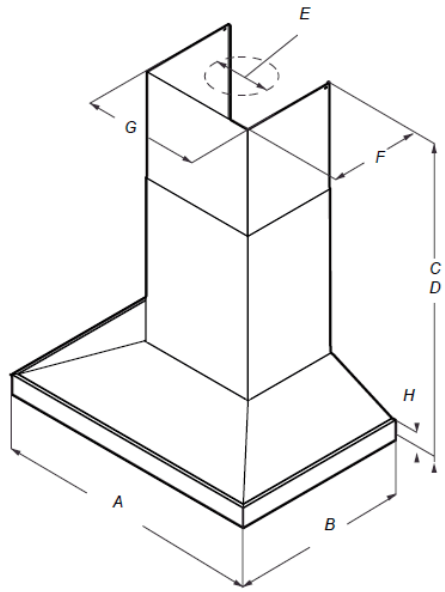
DIMENSIONS & WEIGHT

APPLIANCE DIMENSIONS (W X H X D) (IN.)	29-15/16" X 25-7/16 to 43-5/16 X 19-7/8"
NET WEIGHT (LBS.)	43
GROSS WEIGHT (LBS.)	56

WARRANTY

LIMITED, PARTS AND LABOR	2 YEARS
--------------------------	---------

dacor 30-INCH CHIMNEY WALL HOOD



APPLIANCE DIMENSIONS	
30"	
A	29-15/16" (76.0 cm)
B	19-11/16" (50.4 cm)
C*	max. 39-8/16" (100.3 cm) min. 25-7/16" (64.5 cm)
D**	max. 43-5/16" (110 cm) min. 29-2/16" (73.9 cm)
E	6" (15.24 cm)
F	10-5/8" (26.9 cm)
G	13-1/16" (33.2 cm)
H	2-3/8" (6 cm)

*For vented installations

** For non vented (recirculating) installations