



Modernist 30", 36", 48" Wide Wall Hood

PLANNING GUIDE

General Specifications

All Models: DHD30/36/48

Features	Description
Blower Speeds	Four (4)
Filters	Baffle style, dishwasher safe
Exhaust(s)	8" duct diameter
Total Connected Load	30", 36": 120V, 60 Hz, 15 Amp (actual load 3.3 Amp, 6 Amp initial surge)
	48": 120V, 60 Hz, 15 Amp (actual load 6.1 Amp, 12 Amp initial surge)
Lights	Dimmable LED: PAR16 E26/27; 120V, 7.5W (75W Max. other bulbs)

Individual Models: DHD30/36/48

Components	48"	36"	30"
Lights	4	3	2
Filters			
Blowers	2	1	1
Exhaust Vents			
Blower Rating	1200 CFM	600 CFM	600 CFM

Weight Specifications

Individual Models: DHD30/36/48

Model	Weight
30	53 lbs (24 kg)
36	57 lbs (26 kg)
48	77 lbs (35 kg)

Ventilation

Individual Models

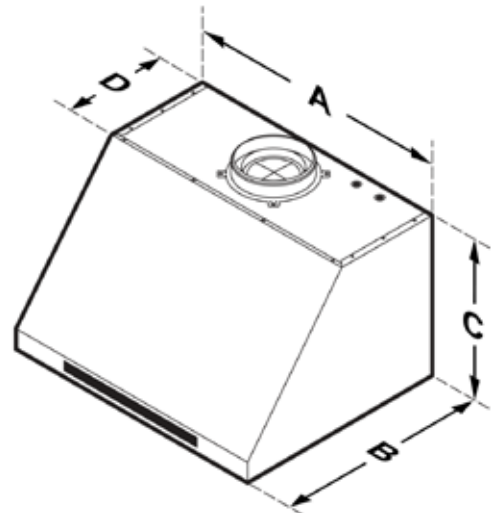
Model	Top Vent	Rear Vent	Rotatable Fan
30	X	X	X
36	X	X	X
48	X	X	X

WARNING

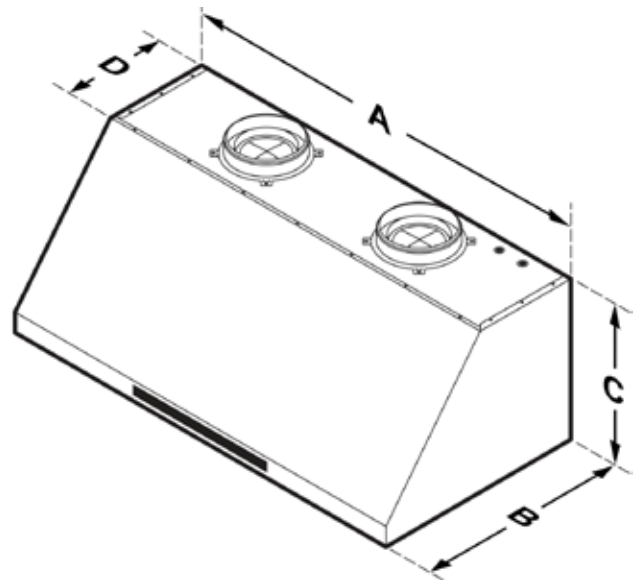
- Observe all local ordinances during planning and installation. Contact your local building department for details.
- This unit must be installed according to its installation instructions.

Dimensions

Single Blower DHD30/36



Dual Blower DHD48



Model	A	B	C	D
30	29 7/8" (75.9 cm)	24" (61 cm)	18" (45.7 cm)	11 7/8" (30.2 cm)
36	35 7/8" (91.1 cm)			
48	47 7/8" (121.6 cm)			



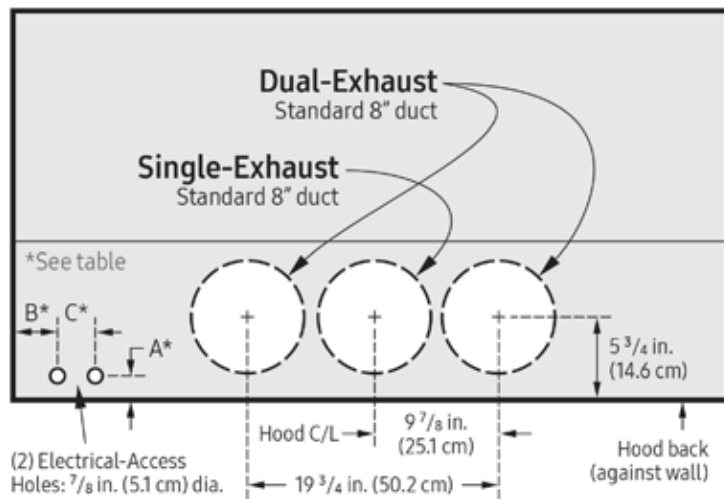
Modernist 30", 36", 48" Wide Wall Hood

PLANNING GUIDE

Electrical/Duct Connections

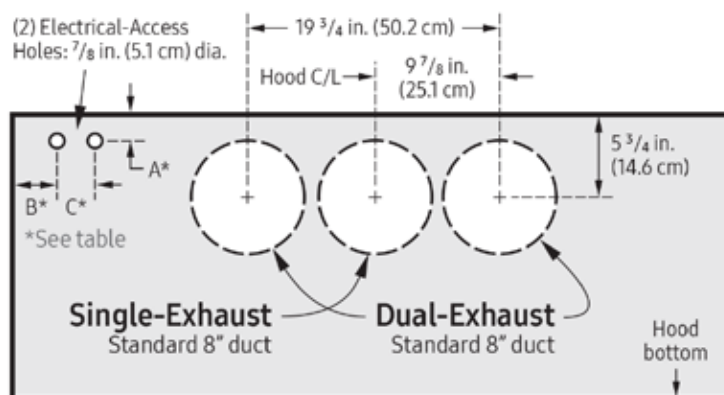
Connect wiring/ducting through the top or rear of the hood. Before installing the hood, mark the access holes per these diagrams.

Top Connections—All Models



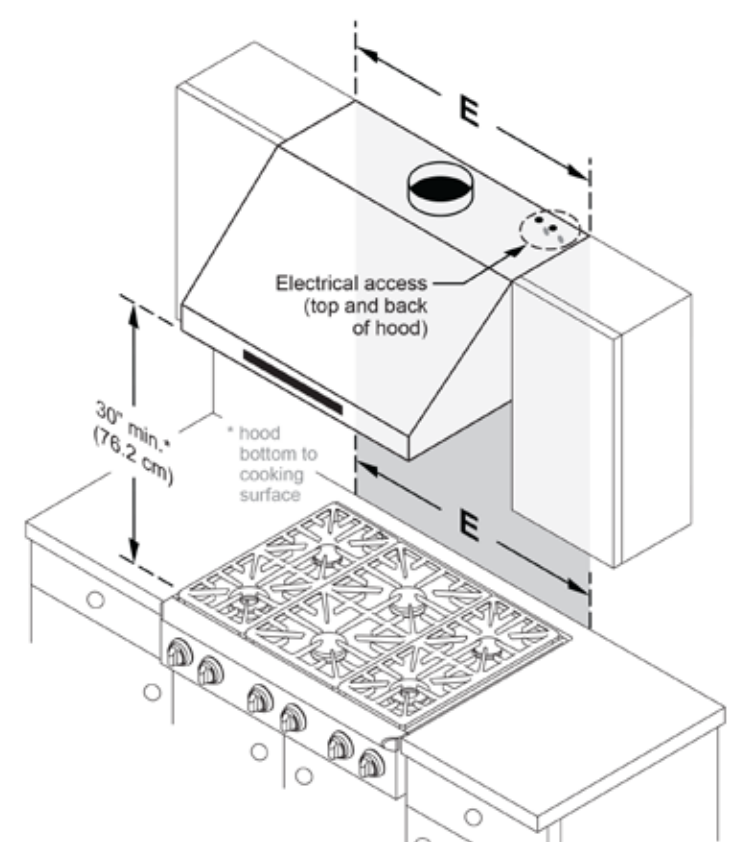
Dimension: Top Electrical/Ducting Holes			
Model	A	B	C
48	1 1/2 in. (3.81 cm)	5 in. (12.7 cm)	3 in. (7.62 cm)
36	1 1/2 in. (3.81 cm)	4 1/2 in. (11.43 cm)	
30	1 1/2 in. (3.81 cm)	5 1/2 in. (13.97 cm)	

Rear Connections—All Models



Dimension: Rear Electrical/Ducting Holes			
Model	A	B	C
48	1 in. (2.54 cm)	5 in. (12.7 cm)	3 in. (7.62 cm)
36	1 in. (2.54 cm)	4 1/2 in. (11.43 cm)	
30	1 in. (2.54 cm)	5 1/2 in. (13.97 cm)	

Cabinet Layout Dimensions



Min. Width of E (Upper-Cabinet Cutout, Appliance Width)	
DHD Model	E
30	30 in. (76.2 cm)
36	36 in. (91.5 cm)
48	48 in. (121.9 cm)

Planning the Ductwork

WARNING

- To prevent combustion by-products, smoke, or odors from entering the home, and to improve efficiency, tape all duct joints securely.
- Range hoods may impede proper flow of smoke and combustion gases from furnaces, gas waterheaters, and fireplaces. To avoid drawing lethal gases into the home, follow manufacturer and NFPA/ASHRAE directions for these devices.
- Failure to install a remote blower or proper ductwork may cause a backdraft and insufficient venting of smoke/fumes.
- DO NOT add an in-line/external blower to the ducting. Even small differences between blower air-flow rates can greatly reduce the hood's air draw.



Modernist 30", 36", 48" Wide Wall Hood

PLANNING GUIDE

Planning the Ductwork, cont.

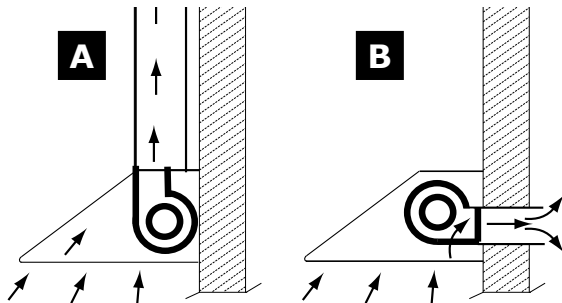
CAUTION

To reduce risk of fire and to properly exhaust air, duct air to the outdoors only (not into walls, attics, crawlspaces, or garages).

WARNING

During duct installation, ensure the damper flaps on top of the hood can open freely.

- Local building codes may require makeup air systems for use with ventilation systems that move air at greater than the specified rate (CFM). In designing the system, consult an HVAC specialist for local requirements and to ensure best performance.
- All ductwork material (incl. screws and foil tape) shall be bought by the customer.
- Ductwork must not interfere with floor joists or wall studs.
- On dual-exhaust models, the two 8" exhausts may be merged into one 10" duct using the optional Dacor transition kit AHT10 (Contact Dacor Customer Assurance for details: 833-353-5483).
- Fasten all joints with sheet-metal screws, and seal with certified duct/foil tape.
- Usually, the blower vents through the hood top (A) but can be rotated to vent through the hood rear (B). When planning ducting, always find the shortest, most direct route to the outside.



Duct-Length Calculation Table

The ducting determines the hood's maximum straight duct length.

Duct Type	Max. Duct Run
8" Round	60 feet
10" Round	50 feet
3 1/4" x 10" Rectangular	

For each new elbow and transition, you must subtract "equivalent lengths" from your total maximum duct run length to compensate for wind resistance.

To determine your maximum length, start with the duct run's total max. length, then subtract all of the ductwork equivalent lengths.

Ductwork Equivalent Lengths	
Piece	Subtract
8" 90° Elbow	7 feet
8" 45° Elbow	3 feet
10" 90° Elbow	5 feet
10" 45° Elbow	2 feet
3" x 10" to Round 90° Transition	25 feet
3 1/4" x 10" to 8"/10" Round Transition	4 feet
Wall Cap w/Damper	*
Roof Cap	

*Equivalent lengths of roof and wall caps vary with model and configuration.

Ductwork Tips

- Minimize transitions/turns/sharp angles (ex: two staggered 45° angles are better than one 90° angle).
- Keep turns as far from the hood exhaust as possible; keep as much space between bends as possible.
- For best performance, use round ducting, especially for elbows.
- Try to keep at least 24 in. of straight duct between each elbow.
- Avoid using "S" or back-to-back adjacent elbows.
- In extremely cold-weather regions, use thermal breaks (i.e., short sections of non-metallic duct) to avoid indoor heat loss. Put the break as close to the outside pass-through point as possible.
- Do not use flexible metal ducting, or ductwork smaller than what the tables advise.
- The hood exhaust connects to an 8" round duct. You can increase the duct size over the duct run if desired.
- To prevent backdraft, never decrease the duct size over the run. If existing ductwork is less than 8 inches in diameter, replace it with 8" ductwork.
- Join ducting with sheet-metal screws, then seal with certified duct/foil tape. Never join ducting with tape only.
- Support the weight of the ducting with sheet-metal screws as needed.
- To avoid backdraft, a damper at the duct outlet may be required.

WARNING

- Have electricity to the range hood installed by a licensed electrician.
- Observe all local codes during site preparation and installation. Contact your local building department for details.
- Follow wall anchoring directions precisely to ensure the hood does not fall.
- To avoid electric-shock injury and water damage, know in-wall utilities locations before breaching the wall.
- Remove temporary holding brackets after anchoring the hood permanently.