



## 30-INCH WALL HOOD

DHD30M967W



### AVAILABLE MODELS

- DHD30M967WS 30" Wall Hood, Stainless Steel
- DHD30M967WM 30" Wall Hood, Graphite Stainless Steel

### FEATURES & BENEFITS

- Seamless canopy design enhances kitchen by minimizing unfinished edges.
- Elegant control panel for easy control of lights, fan speed and timer.
- Four speed fan provides great performance while minimizing noise.
- Auto Connect turns on fan when cooktop is started.
- Auto ON turns hood on automatically if high temperatures are sensed.
- LED lighting provides energy efficiency and a bright cooking area.
- Dishwasher friendly baffles for easy clean-up.

### CONTROL FEATURES

FAN SPEEDS	4 (3 STEP + BOOSTER)
CONTROL TYPE	TOUCH
AUTO SENSING	YES (HEAT SENSOR)
LOCATION	FRONT - CENTER
WI-FI AUTO CONNECT BUTTON	YES
BLUETOOTH CONNECT BUTTON	YES

### ADDITIONAL FEATURES

FILTER TYPE	BAFFLE
REMOVABLE FILTER	YES
LIGHTING	2 LED BULBS + 4 INTENSITIES

### PERFORMANCE

CFM	600
-----	-----

### CONNECTIVITY FEATURES

MONITORING	YES
FAN SPEED	YES
LIGHTING ON/OFF	YES
POWER CONTROL	YES

### TECHNICAL DETAILS

CIRCUIT BREAKER (A)	15
VOLTS (V)	120
FREQUENCY (HZ)	60
ENERGY SOURCE	ELECTRIC

### DIMENSIONS & WEIGHT

APPLIANCE DIMENSIONS (H X W X D) (IN.)	18" X 29 7/8" X 24"
UPPER CABINET CUTOUT (W) (IN.)	30"
WEIGHT	53 LBS (24KG)

### WARRANTY

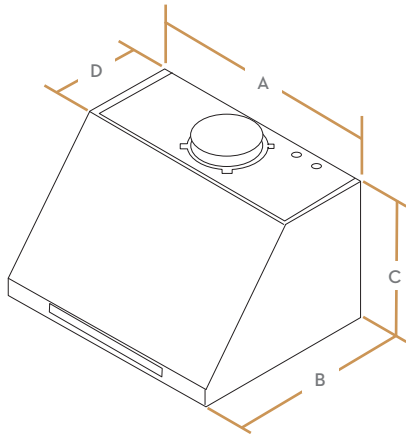
LIMITED, PARTS AND LABOR	2 YEARS
--------------------------	---------

# dacor 30-INCH WALL HOOD

## APPLIANCE DIMENSIONS

30"

A	B	C	D
29 7/8" (75.9CM)	24" (61CM)	18" (45.7CM)	12" (30.2CM)

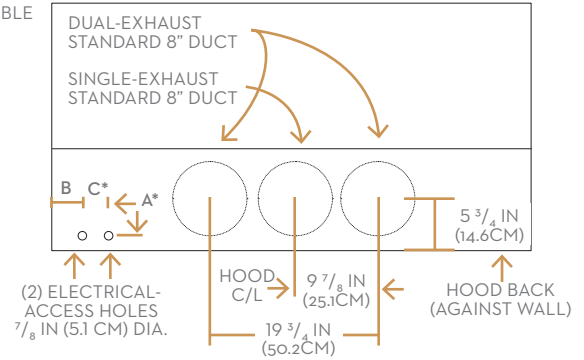


## TOP ELECTRICAL ACCESS DIMENSIONS

30"

A	B	C
1 1/2" (3.81CM)	5 1/2" (13.97CM)	3" (7.62CM)

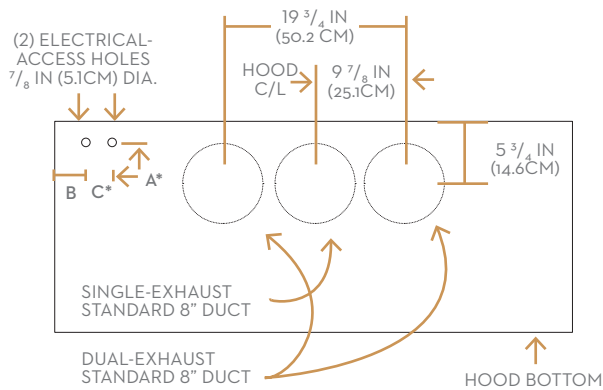
\* SEE TABLE



## REAR ELECTRICAL ACCESS DIMENSIONS

30"

A	B	C
1" (2.54CM)	5 1/2" (13.97CM)	3" (7.62CM)



## MINIMUM WIDTH OF "E"

30"

E

30" (76.2CM)

