

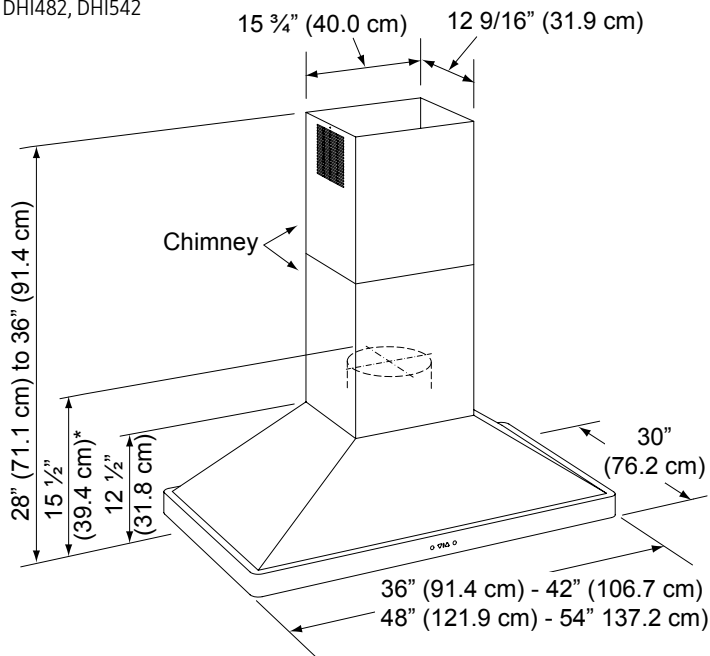


Heritage® 36", 42", 48", 54" Wide Ceiling-Mount Island Hood

PLANNING GUIDE

DHI Overall Dimensions

*18" 1/4 on models
 DHI482, DHI542



⚠ WARNING

- Observe all local ordinances during planning and installation. Contact your local building department for details.
- Install the hood according to its installation instructions.
- DO NOT install an additional inline or external blower to increase the length of the duct run. Even small differences in blower airflow rates can greatly reduce the air draw of the hood.

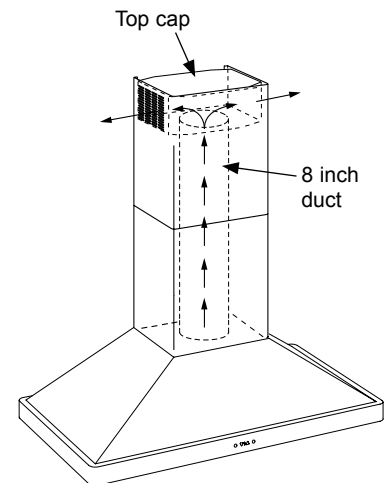
IMPORTANT: The minimum installed distance from the hood to the cooking surface must be at least 30". The minimum specified distance may be higher depending on the cooking unit. Check the cooking unit manufacturer specifications.

Maximum Duct Length

The max. straight duct length for the hood is 50 ft. To determine the actual maximum duct run, subtract the equivalent length of each elbow, transition, and cap from 50 feet. (See the Duct Planning Guide or the installation instructions for details.)

Recirculation Kit (P/N AVDH1/AVDH2)

This optional kit converts the hood to a recirculating configuration in instances where exhausting the hood outside the building is not practical or desired. Included are 1 top cap and 2 charcoal filters. When installed, the top cap redirects air flow out the vents in the sides of the chimney assembly. The provided charcoal filters are installed under the mesh-type filters included with the hood. The charcoal filters reduce smoke and fumes before the hood exhaust is vented into the room. Requires a 25" piece of 8" round duct (not included).



| General Specifications | |
|----------------------------------|---|
| Blower | 600 CFM* (1200 CFM* for units with 2 blowers) with electronic speed control |
| Blower speeds | 4 |
| Lights | 12 Vac, 20 Watt halogen |
| Filters | Baffle type, dishwasher safe |
| Exhaust | 8 inch |
| Finish | 430 stainless steel |
| Total connected load | 120 Vac, 60 Hz. (see table below for current rating) |
| Circuit requirements | 120 Vac, 15 Amp. grounded, dedicated 3-wire circuit (hot, neutral, ground) |
| * At zero inches static pressure | |

| Individual Specifications | | | | |
|---|----------|----------|----------|----------|
| Models** | DHI361 | DHI421 | DHI482 | DHI542 |
| Blowers | 1 | 1 | 2 | 2 |
| Lights | 4 | 4 | 4 | 6 |
| Filters | 1 | 1 | 2 | 2 |
| Max. current draw | 3.8 Amp. | 3.8 Amp. | 6.8 Amp. | 7.1 Amp. |
| **Each model requires that you order a chimney assembly (P/N DHICH) in addition to the hood-assembly P/N. | | | | |