



# 42" ISLAND CHIMNEY HOOD

DHI421



## FEATURES & BENEFITS

- 8" diameter exhaust. Can accommodate up to a 10" duct.
- Squirrel cage style blower. 4 blower speeds.
- Auto off setting after 4 hours.
- Blue illuminated electronic control panel.
- 10 minute Timer (motor runs for 10 minutes and then automatically shuts off).
- 20 watt halogen lights (can be used w/ 10, 20, or 30w bulbs)
- Easy-to-clean Baffle Filter System, dishwasher safe.
- Must order both DHICH and DHI model numbers

\*\*Warranty: Limited, parts and labor for one year

## GENERAL PROPERTIES

FINISH	STAINLESS STEEL
--------	-----------------

## OPTIONAL ACCESSORIES

RECIRCULATION KIT FOR DHI421	AVD11
------------------------------	-------

## NUMBER OF MOTORS

(1) SINGLE BLOWER	600 CFM
-------------------	---------

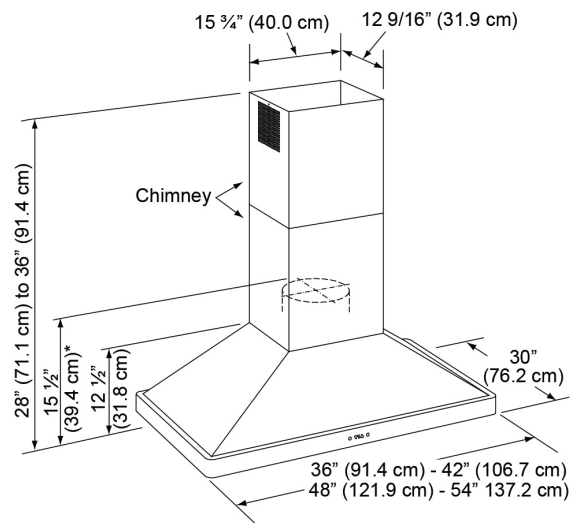
## TECHNICAL INFORMATION

CIRCUIT REQUIREMENTS	120VAC, 15AMP, GROUNDED DEDICATED, 3-WIRE CIRCUIT
TOTAL CONNECTED LOAD	120VAC/60HZ
MAX CURRENT DRAW	3.8 AMPS
SHIPPING WEIGHT	150 LBS

## PRODUCT DIMENSIONS

ISLAND DIMENSIONS (H X W X D) (IN.)	28"-36" X 42" X 30"
-------------------------------------	---------------------

## DHICH / DHI MODEL



## DHICH CEILING MOUNTING BRACKET

