

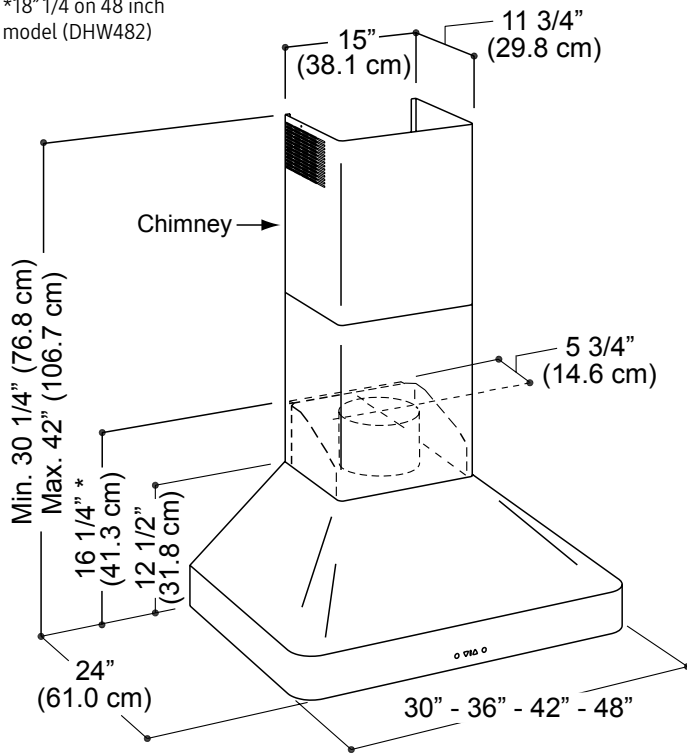


Heritage® 30", 36", 42", 48" Wide Wall-Mount Chimney Hood

PLANNING GUIDE

DHW Overall Dimensions

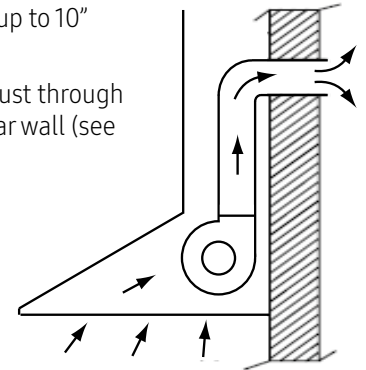
*18" 1/4 on 48 inch model (DHW482)



WARNING

- Observe all local ordinances during planning and installation. Contact your local building department for details.
- Install the hood according to its installation instructions.
- DO NOT install an additional inline or external blower to increase the length of the duct run. Even small differences in blower airflow rates can greatly reduce the air draw of the hood.

- Chimney can accommodate up to 10" round duct work
- Unit can be installed to exhaust through the ceiling or through the rear wall (see diagram below).



IMPORTANT: The minimum installed distance from the hood to the cooking surface must be at least 30". The minimum specified distance may be higher depending on the cooking unit. Check the cooking unit manufacturer specifications.

General Specifications	
Blower	600 CFM* (1200 CFM* for units with 2 blowers) with electronic speed control
Blower speeds	4
Lights	12 Vac, 20 Watt halogen
Filters	Baffle type, dishwasher safe
Exhaust	8 inch
Finish	430 stainless steel
Total connected load	120 Vac, 60 Hz. (see table below for current rating)
Circuit requirements	120 Vac, 15 Amp. grounded, dedicated 3-wire circuit (hot, neutral, ground)
* At zero inches static pressure	

Individual Specifications				
	DHW301	DHW361	DHW421	DHW482
Blowers	1	1	1	2
Lights	2	2	3	4
Filters	1	1	1	2
Max. current draw	3.4 Amp.	3.4 Amp.	3.6 Amp.	6.8 Amp.

Maximum Duct Length

The max. straight duct length for the hood is 50 ft. To determine the actual maximum duct run, subtract the equivalent length of each elbow, transition, and cap from 50 feet. (See the Duct Planning Guide or the installation instructions for details.)

Recirculation Kit (PN AVDH1/AVDH2)

This optional kit converts the hood to a recirculating configuration in instances where exhausting the hood outside the building is not practical or desired. Included are 1 top cap and 2 charcoal filters. When installed, the top cap redirects air flow out the vents in the sides of the chimney assembly. The provided charcoal filters are installed under the mesh-type filters included with the hood. The charcoal filters reduce smoke and fumes before the hood exhaust is vented into the room. Requires a 25" piece of 8" round duct (not included).

