



## Installation Instructions

### Heritage Wall-Mount Range Hoods

HWHE30/36/48; HWHP30/36/48

**APPROVED FOR USE WITH ALL DACOR<sup>®</sup> RANGES AND COOKTOPS.**

**TESTED IN ACCORDANCE WITH THE LATEST EDITION OF ANSI/UL 507  
STANDARD FOR ELECTRIC FANS AND CAN/CSA-C22.2 NO. 115 STANDARD  
FOR FANS AND VENTILATORS.**

# Table of Contents

<b>Important Safety Instructions</b> .....	<b>1</b>	<b>Installation Instructions</b> .....	<b>10</b>
Important Information About Safety Instructions .....	1	Marking the Centerlines .....	10
General Safety Precautions .....	2	Installing the Holding Brackets.....	10
<b>Product Specifications</b> .....	<b>3</b>	Rotating the Blower(s) for Rear Exhaust .....	11
General Specifications .....	3	Assembling the Filters.....	13
Weight Specifications.....	3	Using the Dual to Single Transition Kit# AHT10 .....	14
Dimensions .....	4	Hanging the Range Hood .....	15
<b>Preparation and Setup</b> .....	<b>6</b>	Hardwiring the Hood .....	16
Parts List .....	6	Inserting the Light Bulbs .....	17
Needed Tools/Hardware.....	6	Verifying the Setup.....	19
Meeting Electrical Codes .....	6	The Installation Checklist .....	19
Installing the Electrical Source.....	7	<b>Wiring Diagrams</b> .....	<b>20</b>
Meeting Installation Requirements.....	7		
Planning the Ductwork.....	8		
Preparing the Mounting Location .....	9		

## Before You Begin...

### Important:

- **Installer:** For safety reasons and to minimize problems, read these **Installation Instructions** completely and carefully before starting the installation process. Leave these installation instructions with the consumer.  
Write the data-plate information (model no., serial no.) in the User Manual before you install the unit.
- **Customer:** Keep these **Installation Instructions** for reference and the local electrical inspector's use.

### If You Need Help...

...with questions or installation issues, or for repair/operation/warranty issues concerning the hood, call the Dacor Customer Assurance. Before calling, have available the hood's model and serial numbers, which are on the hood's data plate (see below).

#### Dacor Customer Assurance

Phone: 833-35-ELITE (833-353-5483) USA, Canada  
Mon – Fri 5:00 a.m.–5:00 p.m. Pacific Time  
Website: [www.dacor.com/customer-care/contact-us](http://www.dacor.com/customer-care/contact-us)

### Appliance Data Plate

This label contains the model and serial numbers, and electrical requirements.

The data plate is inside the hood above the filters on the chassis' back wall.  
(Remove the filters to view the data plate.)

All specifications are subject to change without notice. Dacor assumes no liability for changes to specifications.

# Important Safety Instructions

## Important Information About Safety Instructions

- The **Important Safety Instructions** and warnings in this manual cannot cover all possible issues. Use common sense and caution when installing the hood.
- Contact Dacor Customer Assurance about issues you cannot resolve (contact information on previous page).

## Safety Symbols and Labels

### **DANGER**

Immediate hazards that **WILL** result in severe personal injury or death.

### **WARNING**

Hazards or unsafe practices that **COULD** result in severe personal injury or death.

### **CAUTION**

Hazards or unsafe practices that **MIGHT** result in minor personal injury or property damage.

### **DANGER**

To avoid the possibility of explosion or fire, do not store or use combustible, flammable or explosive vapors and liquids (such as gasoline) inside or in the vicinity of this or any other appliance. Also keep items that could explode, such as aerosol cans away from cooktop burners, ovens and range hoods. Do not store flammable or explosive materials in adjacent cabinets or areas.

### **WARNING**

If the information in this manual is not followed exactly, a fire or explosion may result causing property damage, personal injury or death.

### **WARNING**

**WARNING - TO REDUCE THE RISK OF FIRE, ELECTRIC SHOCK, OR INJURY TO PERSONS, OBSERVE THE FOLLOWING:**

- a) Use this unit only in the manner intended by the manufacturer. If you have questions, contact the manufacturer.
- b) Before servicing or cleaning unit, switch power off at service panel and lock the service disconnecting means to prevent power from being switched on accidentally. When the service disconnecting means cannot be locked, securely fasten a prominent warning device, such as a tag, to the service panel.

### **WARNING**

**WARNING – TO REDUCE THE RISK OF FIRE, ELECTRIC SHOCK, OR INJURY TO PERSONS, OBSERVE THE FOLLOWING:**

- a) Installation work and electrical wiring must be done by qualified person(s) in accordance with all applicable codes and standards, including fire-rated construction.
- b) Sufficient air is needed for proper combustion and exhausting of gases through the flue(chimney) of fuel burning equipment to prevent back drafting. Follow the heating equipment manufacturer's guideline and safety standards such as those published by the National Fire Protection Association (NFPA), and the American Society for Heating, Refrigeration and Air Conditioning Engineers (ASHRAE), and the local code authorities.
- c) When cutting or drilling into wall or ceiling, do not damage electrical wiring and other hidden utilities.
- d) Ducted fans must always be vented to the outdoors.

**READ AND SAVE THESE INSTRUCTIONS**

# Important Safety Instructions

## General Safety Precautions

To reduce the risk of fire, electric shock, serious injury, or death when using your range hood, follow basic safety precautions, including these:

### **WARNING**

- Use the hood only as outlined in this manual. Do NOT use the hood to vent hazardous/explosive materials or vapors. If you have questions, contact Dacor (contact info on Pg. 1).
- If you receive a damaged product, immediately contact your dealer/builder. Do not install/use a damaged hood.
- Verify that the hood was properly installed and grounded by a qualified installer according to procedures in this guide. Have the installer show you the fuse or junction box so you can turn the power ON/OFF as needed.
- Install or locate this appliance only in accordance with these installation instructions and the requirements specified by the manufacturer of the cooktop or range. Improper installation, adjustment, alteration, service, or maintenance can cause serious personal injury or property damage.
- Do not install/repair/replace any part of the range hood unless specifically recommended by the procedures in this guide. A qualified service technician should perform all other service. Contact the nearest Dacor authorized service representative at (800) 793-0093, or at [www.dacor.com](http://www.dacor.com) for examination, repair or adjustment.
- Do not use an extension cord or adapter plug with this appliance.
- To avoid risk of electric shock:
  - Before service is performed, switch power off at the fuse/junction box, and lock the electrical-panel door so power cannot be switched on accidentally. If the electrical panel cannot be locked, securely fasten a prominent warning device (e.g., tag) to the panel.
  - Before cleaning the hood, turn off the main power switch (Pg. 3).
- Read the Use and Care Manual completely before using the appliance. Clean the appliance only as instructed in the Use and Care Manual. Use only the cleaners specified.
- Do not tamper with the controls.
- Never let the filters become blocked/clogged, or foreign objects (e.g., cigarettes, napkins) be sucked into the hood.
- To avoid a fire hazard:
  - If the appliance is by a window, do not use window coverings that could blow over the cooking surface and hood.
  - Use only metal ducting.
- Always run the hood fans when using your range/cooktop.
- Never let children:
  - alone in the vicinity of an operating range/cooktop
  - sit/stand on/play with your range/cooktop/hood; or store items of interest to children above/around these appliances.
  - play with packaging materials; plastic bags can cause suffocation.
- The minimum vertical distance between the cooking surface and the bottom-most part of the hood must be at least 30" (76.2 cm). Consult the instructions in this manual for the minimum vertical distance in your specific case.
- Do not attempt to use this appliance during a continuous power outage.
- To reduce risk of a grease fire:
  - never leave the range/cooktop unattended at high settings; boil-overs cause smoking and greasy spill-overs that may ignite; heat oils slowly on low/medium settings
  - always turn the hood ON if cooking at high heat or when flambéing food (e.g., Crepes Suzette, Cherries Jubilee, Peppercorn Beef Flambé)
  - clean ventilating fans frequently; do not let grease accumulate on the filter or other hood components
  - always use cookware appropriate to the size of the surface element or grate.
- TO REDUCE RISK OF PERSONAL INJURY FROM A GREASE FIRE:
  - CAREFULLY SMOTHER FLAMES with a close-fitting lid, cookie sheet, or metal tray, then turn off the burner. If the flames do not die immediately, EVACUATE, THEN CALL THE FIRE DEPARTMENT.
  - NEVER PICK UP A FLAMING PAN.
  - DO NOT try to extinguish flames with water or wet dish cloths/towels; a violent steam explosion may result.
- (FOR GREASE FIRES) USE A FIRE EXTINGUISHER ONLY IF:
  - you have a Class ABC extinguisher and know how to operate it
  - the fire is small and contained in its area of origin
  - the fire department is being called
  - you can fight the fire with your back to an exit.

# Product Specifications

## General Specifications

All Models: HWHP, HWHE

Features	Description
Blower Speeds	Four (4)
Filters	Baffle style, dishwasher safe
Exhaust(s)	8-in. duct diameter
Total Connect Load	120V, 60 Hz, 9 Amp. Max. (10.0 Amp Max. surge)
Lights	Dimmable LED: PAR16 E26/27; 120V, 7.5W (75W Max. other bulbs)

Individual Models: HWHP, HWHE

Components	48	36	30
Lights	4	3	2
Filters	4	3	2
Blowers	2	1	1
Exhaust Vents	2	1	1
Blower Rating	1200 CFM	600 CFM	600 CFM

## Weight Specifications

Individual Models: HWHP, HWHE

Model	Weight
3012	51 lbs. (23 kg)
3018, -3612	53 lbs. (24 kg)
3618	57 lbs. (26 kg)
4812	70 lbs. (32 kg)
4818	77 lbs. (35 kg)

Individual Models: HWHP, HWHE

Model #	Top Vent	Rear Vent	Rotatable Fan
3012	x	x	x
3018	x	x	x
3612	x	x	x
3618	x	x	x
4812	x	x	x
4818	x	x	x

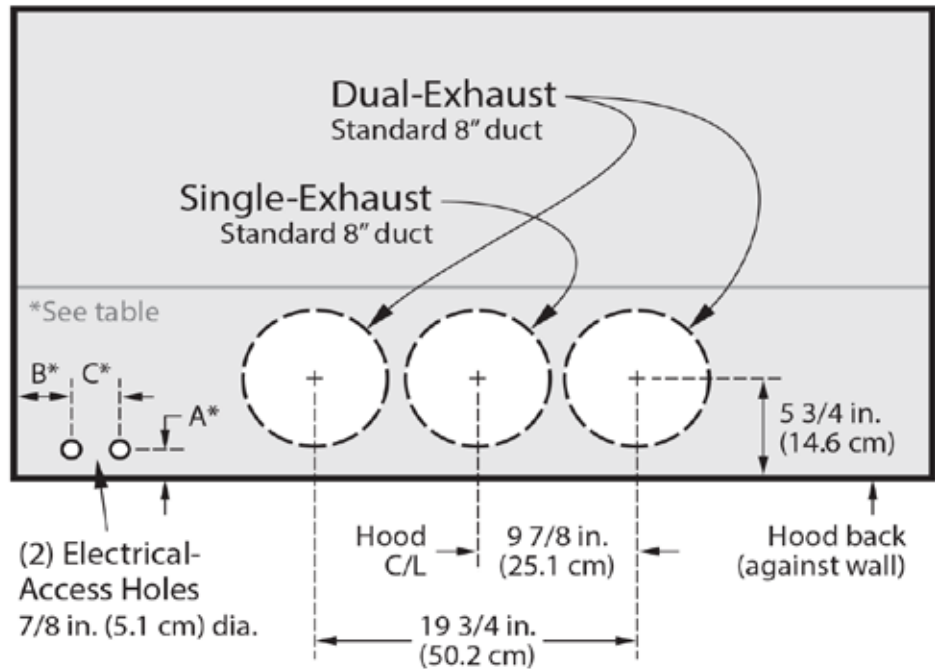
# Product Specifications

## Dimensions (Electrical/Ductwork Connections)

Connect electrical wires and ductwork through the top or rear of the hood. Before installing the hood, mark the access holes according to the diagrams below. (*Tolerances: ±1/16" unless otherwise stated.*)

Dimensions: Top Electrical Access Holes (HWHP, HWHE)

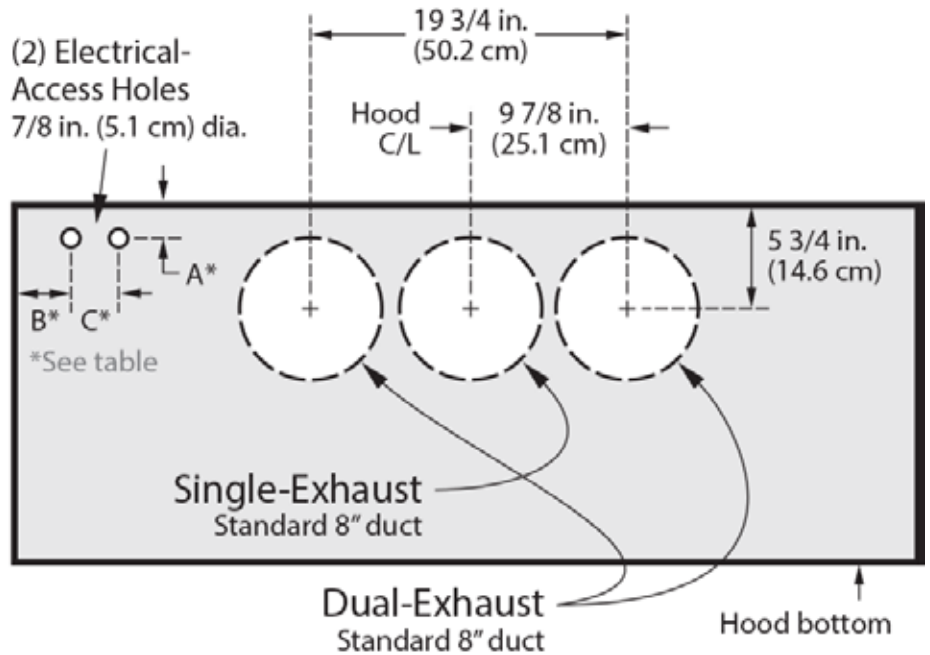
Model	A	B	C
48	1 1/2 in. (3.81 cm)	5 in. (12.7 cm)	3 in. (7.62 cm)
36	1 1/2 in. (3.81 cm)	4 1/2 in. (11.43 cm)	3 in. (7.62 cm)
30	1 1/2 in. (3.81 cm)	5 1/2 in. (13.97 cm)	3" (7.62 cm)



### Top Connections: All Models

Dimensions: Rear Electrical Access Holes (HWHP, HWHE)

Model	A	B	C
48	1 in. (2.54 cm)	5 in. (12.7 cm)	3 in. (7.62 cm)
36	1 in. (2.54 cm)	4 1/2 in. (11.43 cm)	3 in. (7.62 cm)
30	1 in. (2.54 cm)	5 1/2 in. (13.97 cm)	3" (7.62 cm)



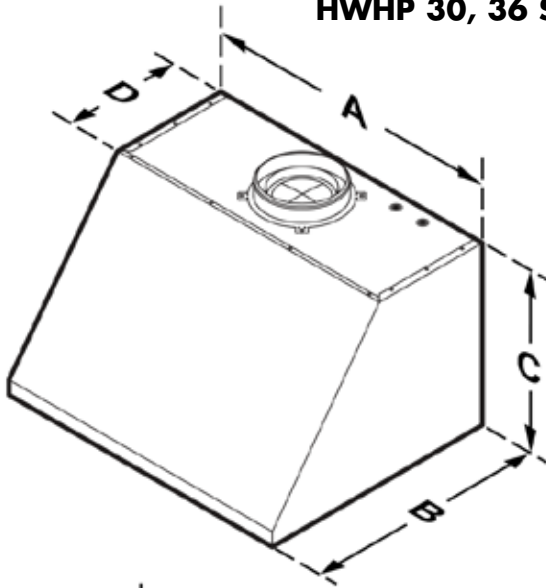
### Rear Connections: All Models

# Product Specifications

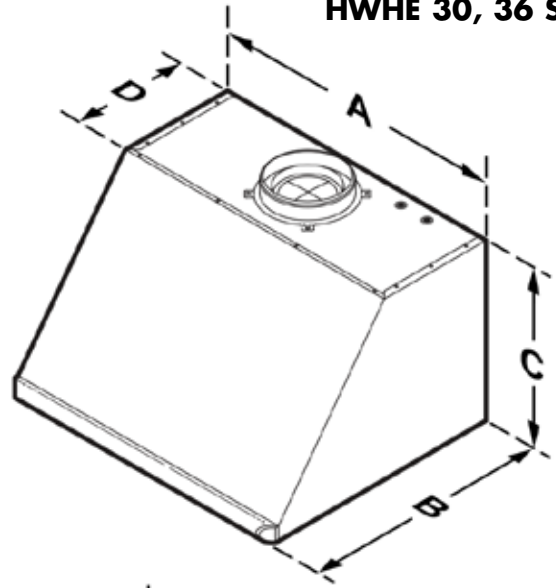
## Dimensions

Tolerances:  $\pm 1/16$ " unless otherwise stated.

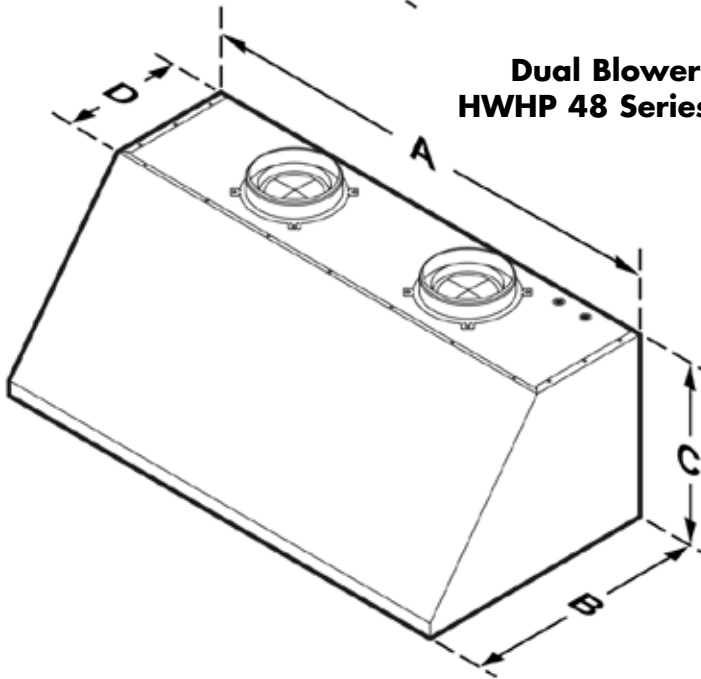
**Single Blower:  
HWHP 30, 36 Series**



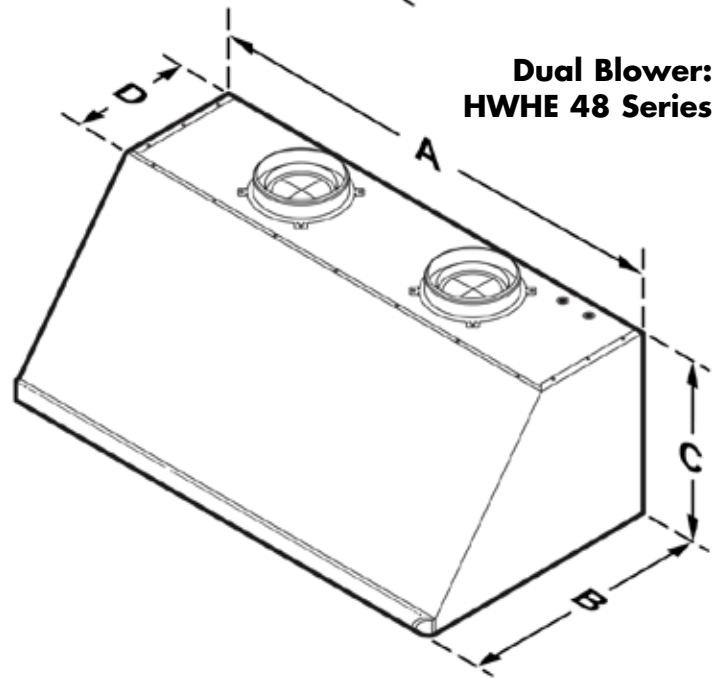
**Single Blower:  
HWHE 30, 36 Series**



**Dual Blower:  
HWHP 48 Series**



**Dual Blower:  
HWHE 48 Series**



**HWHP Hood Dimensions**

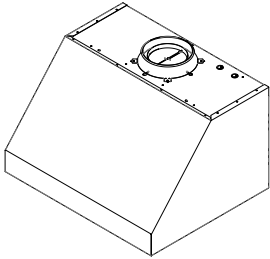
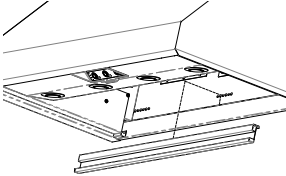
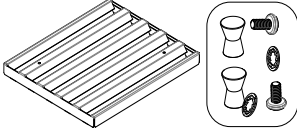
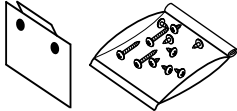
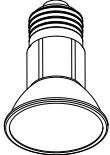
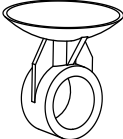


Model	A	B	C	D
3012	29 7/8" (75.9 cm)	24" (61 cm)	12" (30.48 cm)	11 7/8" (30.2 cm)
3612	35 7/8" (91.1 cm)			
4812	47 7/8" (121.6 cm)			
3018	29 7/8" (75.9 cm)	24" (61 cm)	18" (45.7 cm)	11 7/8" (30.2 cm)
3618	35 7/8" (91.1 cm)			
4818	47 7/8" (121.6 cm)			

**HWHE Hood Dimensions**

Model	A	B	C	D
3012	29 7/8" (75.9 cm)	25 1/2" (63.8 cm)	12" (30.48 cm)	11 7/8" (30.2 cm)
3612	35 7/8" (91.1 cm)			
4812	47 7/8" (121.6 cm)			
3018	29 7/8" (75.9 cm)	25 1/2" (63.8 cm)	18" (45.7 cm)	11 7/8" (30.2 cm)
3618	35 7/8" (91.1 cm)			
4818	47 7/8" (121.6 cm)			

# Preparation and Setup

## Parts List

Part	Qty	Example
Hood (models vary in size/appearance)	1	
Grease channel	1	
Baffle-style filter w/knobs (ready-to-assemble kit)	48" (4) 36" (3) 30" (2)	
Holding brackets, hardware	2	
Dimmable LED light bulbs	48" (4) 36" (3) 30" (2)	
Light-replacement tool	1	
Product literature (Installation, User manuals)	2	
Dacor cleaning cream	1	

## Needed Tools/Hardware

Have these items available **before** starting the installation.

Hood Installation	
Phillips screwdriver	Level
Flathead screwdriver	Junction box
Pencil/marketing tool	Jigsaw
Wire connector caps	8" Ducting
Wire stripper	Foil tape
Drill, bits	Sheet-metal screws

Dual-to-Single Vent Transition Kit (option)	
Dacor Kit #AHT10	Sheet-metal screws
10" Ducts, ducting material	Foil tape
Drill, bits	

Blower Rotation (option)	
Phillips screwdriver	5/16" Nut driver

## Meeting Electrical Codes

### WARNING

Make sure a licensed electrician installs the electrical service to the range hood.

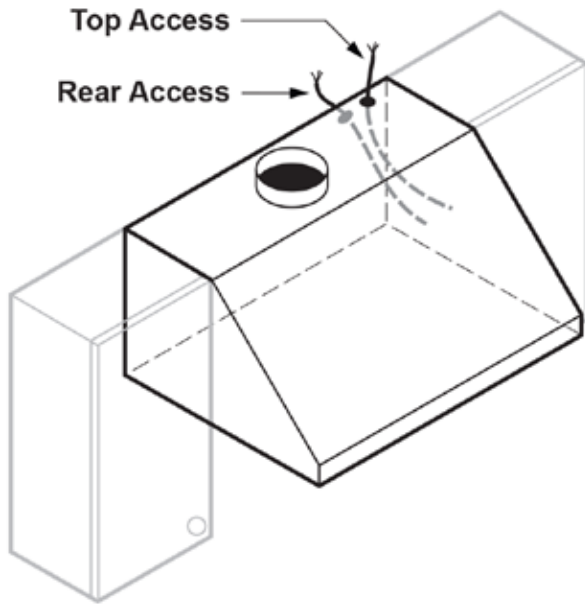
- The owner is responsible for verifying that all electrical requirements are met by the qualified electrician servicing this appliance.
- The electrical installation (incl. the minimum supply-wire size and grounding) must comply with the National Electric code ANSI/NFPA (or latest revision), local codes, and ordinances. Obtain a copy of the ANSI/NFPA standard from:
 

National Fire Protection Association  
1 Batterymarch Park  
Quincy, Massachusetts 02269-9101
- The ground terminal on the hood must be connected to a grounded, metallic, permanent wiring system, or a grounding conductor installed by a licensed electrician.
- Do not ground the appliance or appliance wiring to a gas pipeline or to the neutral (white) power supply wire.
- Do not install a fuse in the neutral or ground circuit.
- Connect the hood directly to an electrical junction box.** Hard-wire the hood according to local code directly to a dedicated three-wire grounded, single phase circuit rated at 120 Vac 60 Hz, 15 Amp.



# Preparation and Setup

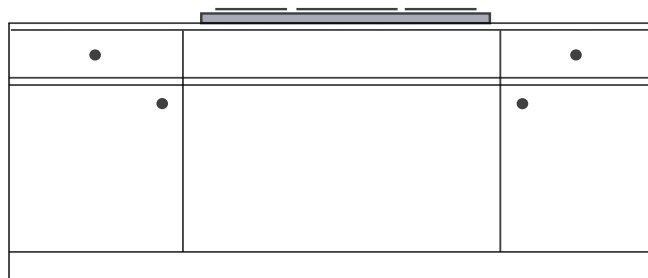
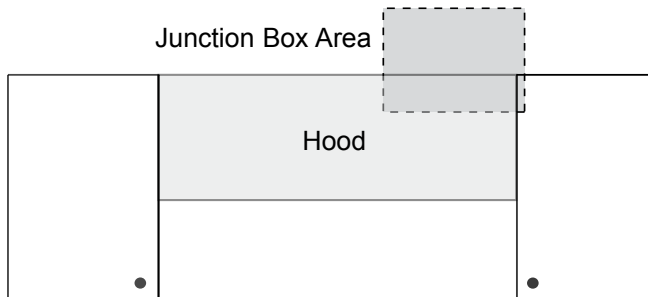
- See the diagram below: **Top/Rear Electrical Access Holes** for wire hole locations inside the hood.
- See **Wiring Diagrams** at the end of this document.



**Top/Rear Electrical Access Holes**

## Installing the Electrical Source

In compliance with local codes, install an electrical junction box near the hood's electrical access holes.



1. In the cabinet or wall, drill 7/8" holes through which to pass the electrical wiring.
2. See the last pages of this guide for wiring diagrams.

## Meeting Installation Requirements

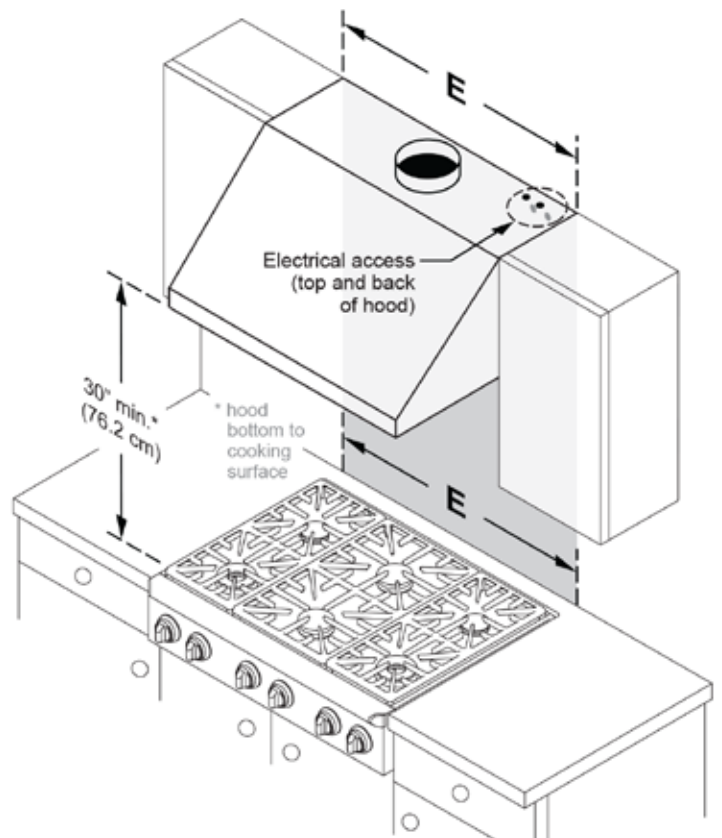
### **WARNING**

Observe local ordinances regarding all facets of the project during planning and installation. Contact the local building department for details.

### **IMPORTANT**

See the diagram for minimum installed distance from hood bottom to cooking surface. The minimum distance may be higher for the cooking unit used. Check the cooking unit manufacturer specifications.

- The hood must be at least as wide as the cooktop.
- Dimensions must meet or fall within the given minimums.
- Dimensions given are minimum clearances unless otherwise noted.
- All contact surfaces between the hood and cabinetry/walls must be sturdy, solid, and at right angles.
- Install the hood and cooking appliance(s) so they can be removed for service.



### Min. Width of E: Upper-Cabinet Cutout, Appliance Width

HWHP, HWHE	E
3012, 3018	30 in. (76.2 cm)
3612, 3618	36 in. (91.5 cm)
4812, 4818	48 in. (121.9 cm)

All tolerances:  $\pm 1/16"$ , unless otherwise stated.

# Preparation and Setup

## Planning the Ductwork

### WARNING

- To keep combustion byproducts, smoke, or odors out of the home, and to improve efficiency, tape all duct joints securely.
- Range hoods may impede flow of smoke and combustion gases from furnaces, gas waterheaters, and fireplaces. To avoid drawing lethal gases into the home, follow manufacturer directions for these devices and NFPA/ASHRAE recommendations.
- Failure to install a remote blower or proper ductwork may cause a backdraft and insufficient venting of smoke/fumes.
- **DO NOT** add an in-line or external blower to lengthen the duct. Even small differences between blower air-flow rates can greatly reduce the hood's air draw.

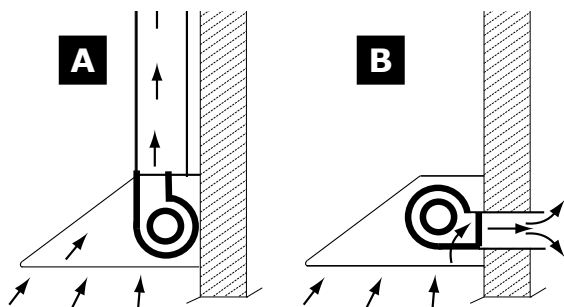
### CAUTION

To reduce risk of fire and to properly exhaust air, duct air outside the house or building. Do not vent air into wall spaces, ceilings, attics, crawlspaces, or garages.

### WARNING

During duct installation, ensure the damper flaps on top of the hood can open freely.

- Local building codes may require use of makeup air systems with ventilation systems that move air at greater than the specified rate (CFM), which rates depend on locale. When designing the system, consult an HVAC specialist for local requirements and to ensure optimal performance.
- All ductwork material (incl. screws and foil tape) must be purchased separately by the customer.
- Ductwork must not interfere with floor joists or wall studs.
- On dual-exhaust models, the two 8" exhausts may be merged into one 10" duct using Dacor transition kit AHT10. See page 14 for details.
- Fasten all joints with sheet-metal screws, and seal with certified duct/foil tape.



Typically, the blower vents through hood top (A, above); however, the blower can be rotated to vent through the hood **rear** (B). When planning ductwork, always find the shortest, most direct route to the outside.

## Duct-Length Calculation Table

The type of duct determines the hood's maximum straight duct length.

Duct Type	Maximum Duct Run
8-inch Round	60 feet
10-inch Round	50 feet
3 1/4-in x 10-in Rectangular	50 feet

For each new elbow and transition, subtract "equivalent lengths" from the total maximum duct run to compensate for wind resistance.

To determine your maximum length, start with the your duct run's total max. length, then subtract all of the ductwork equivalent lengths. (See the chart.)

## Ductwork Equivalent Lengths

Piece	Subtract
8" 90° Elbow	7 feet
8" 45° Elbow	3 feet
10" 90° Elbow	5 feet
10" 45° Elbow	2 feet
3" x 10" to Round 90° Transition	25 feet
3 1/4" x 10" to 8"/10" Round Transition	4 feet
Wall Cap w/Damper	*
Roof Cap	

\*Equivalent lengths of roof and wall caps vary with model and configuration.

## Ductwork Tips

- Minimize transitions, turns, and sharp angles (ex: two staggered 45° angles are better than one sharp 90° angle).
- Keep turns as far away from the hood exhaust as possible; keep as much space between bends as possible.
- For best performance, use round instead of rectangular ducting, especially when elbows are needed.
- If multiple elbows are used, try to keep at least 24 inches of straight duct between each elbow.
- Do not use "S" or back-to-back adjacent elbows.
- In very cold-weather regions, use thermal breaks (i.e., short sections of non-metallic duct) to avoid indoor heat loss. Put the break as close to the outside wall as possible.
- Do *not* use flexible metal ducting, or ductwork smaller than what the tables advise.
- The hood exhaust connects to an 8" round duct. You can *increase* the duct size over the duct run if desired.
- Never reduce duct size over the run. If existing ductwork is under 8 inches in diameter, replace it with 8" ductwork.
- Always connect all duct sections with sheet-metal screws, then seal joints with certified duct/foil tape.

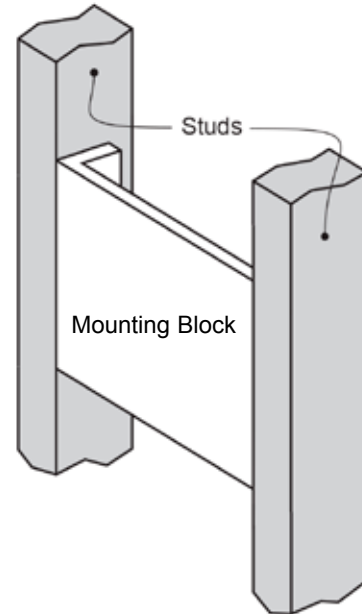
# Preparation and Setup

- Support the weight of the ducting with sheet-metal screws as needed.
- To prevent backdraft, a damper at the duct outlet may be required.

## WARNING

- Electricity to the range hood should be installed only by a licensed electrician.
- Observe all governing codes and ordinances during site preparation and installation. Contact your local building department for details.
- Improperly anchoring the hood to the wall may cause personal injury if unit falls.
- To prevent electric shock and property damage, do not drill or cut in the vicinity of plumbing and electrical wiring.
- Use the *temporary* holding brackets to support the hood only until permanent anchoring is secured.

HWHP, HWHE	Weight
3012	51 lbs. (23 kg)
3018, 3612	53 lbs. (24 kg)
3618	57 lbs. (26 kg)
4812	70 lbs. (32 kg)
4818	77 lbs. (35 kg)

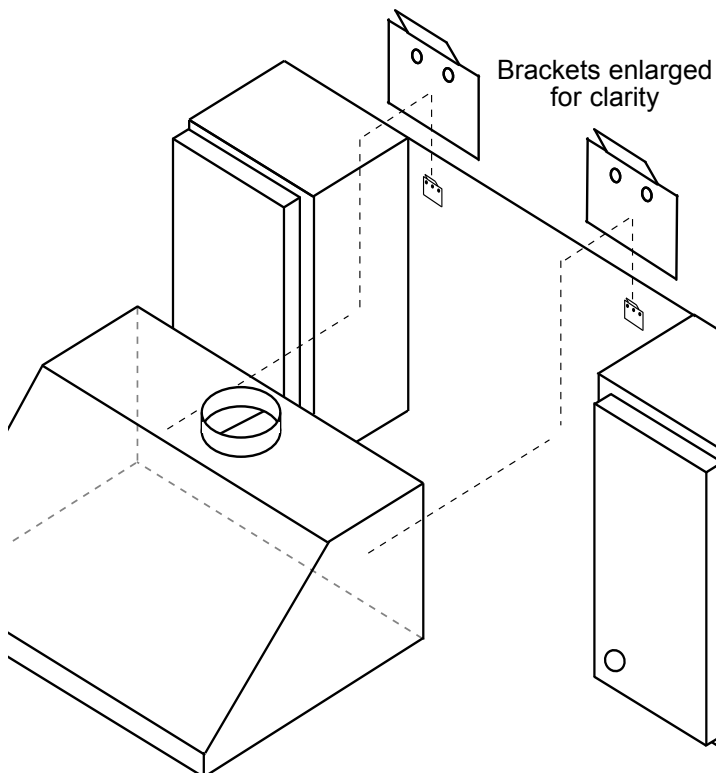


**Support Structures Within Wall**

## Preparing the Mounting Location

Holding brackets and hardware are provided to temporarily support the hood during the permanent installation process.

- (If mounting the hood to brick or masonry) Select anchors that can support the hood's full weight.
- Ensure the mounting surface is properly reinforced to support the hood's full weight.
- If mounting the unit to drywall or a plastered surface, install a reinforced mounting block between the studs.
- Attach screws directly to the studs and cabinets if they align with the mounting holes in the hood back/top.



# Installation Instructions

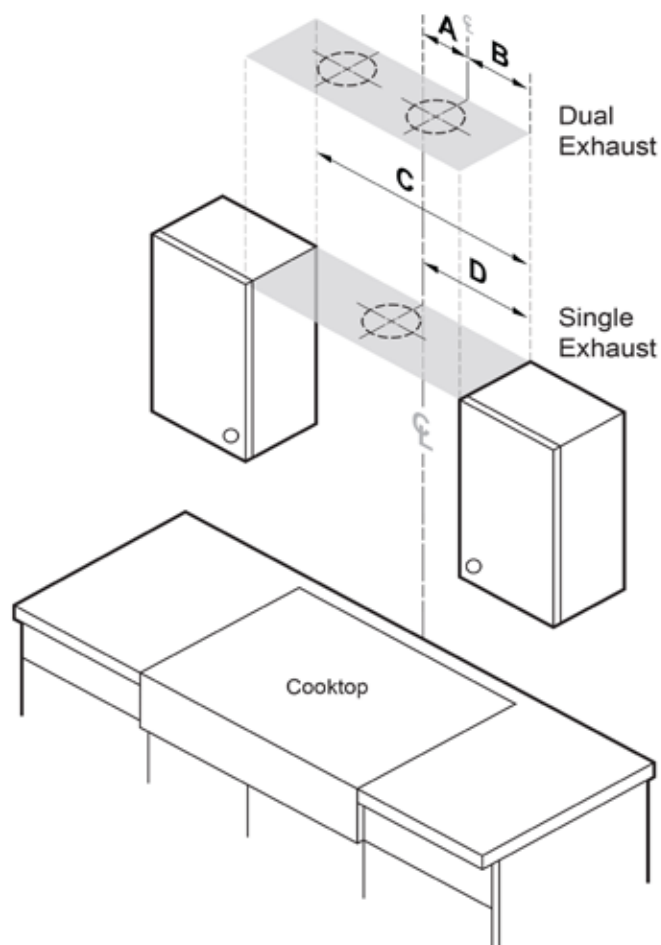
## Marking the Centerlines

These measurements and marks are for centering and leveling the hood, marking the duct cutouts, and installing the holding brackets (which brackets temporarily support the hood as you mount it permanently).

Have a marking tool, tape measure, and level ready.

1. Position the hood as it will be when installed (e.g., for a top-vent installation, set the hood with the vents on top).
2. Measure the distance from the edge of the hood to the center of the exhaust port.
3. Transfer that measurement to the wall (for a rear vent), or overhead (for top vent). Measure the X and Y axes to find the centerline.
4. Extend the line down 10 inches (25.4 cm).
5. Cut a hole 1 inch larger than the duct. (Dual-exhaust models require two holes.)

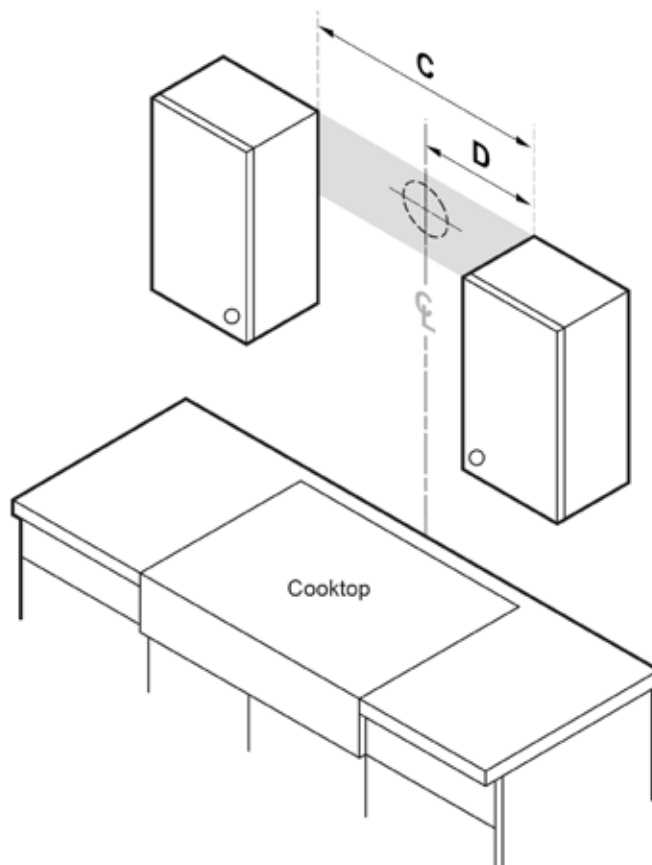
Measurement Location	Measurement: in. (cm)
A	9 7/8 in. (25.08 cm)
B	14 1/8 in. (35.88 cm)
C	48 in. (121.92 cm)
D	24 in. (60.96)



**Top-Exhaust Centerline (single-/dual-format)**

## IMPORTANT

Users of the dual-exhaust format will need to install the AHT10 Dual-to-Single Transition Kit. (See the section *Using the Dual-to-Single Transition Kit #AHT10* on Page 12 for installation instructions.)



**Rear-Exhaust Centerline**

## Installing the Holding Brackets

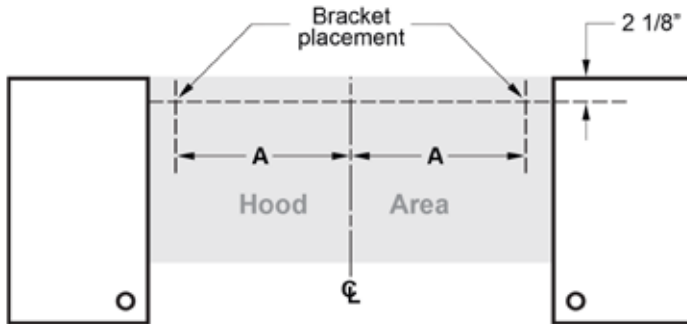
**IMPORTANT:** To avoid alignment problems during final installation, do not place the holding brackets above/below/off the centerline.

1. Mark the holding bracket's horizontal centerline 2 1/8 inches (54 cm) below the top of the hood.
2. Next, mark the holding bracket's two vertical centerlines. Refer to the table and image on right.
3. Measure and mark the "F" distance.
4. Lay the bracket against the wall, and align the screwholes with the horizontal centerline.  
Be sure to use anchors/screws that can support the hood; be sure to properly reinforce drywall installations.
5. Mark the two holes in the bracket.
6. Drill those two holes for screws or anchors.
7. Attach the brackets securely to the wall.

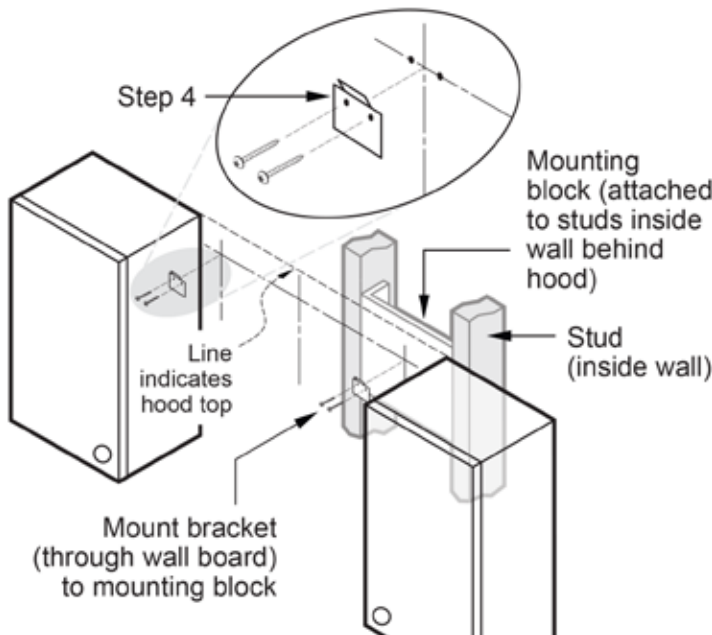
# Installation Instructions

## Installing the Holding Brackets, cont.

Holding-Bracket Centerline Distance	
HWHP, HWHE	A
3012, 3018	12 1/2 in (31.8 cm)
3612, 3618	7 1/8 in (18.1 cm)
4812, 4818	17 in (43.2 cm)



Marking the Centerlines and Brackets



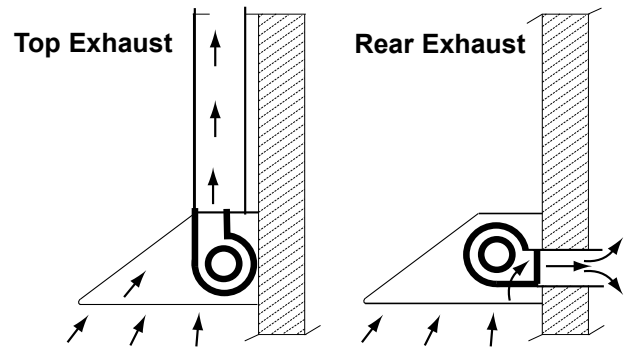
Attaching the Brackets to the Wall

## Rotating the Blower(s) for Rear Exhaust

Perform this procedure before you hang the hood.

### WARNING

- Only install the hood if the electrical service provided meets the hood's specifications.
- Observe all governing codes and ordinances during installation. Contact your local building department for details.
- Only a qualified technician may install this built-in appliance. Multiple persons are needed to lift the hood into place. The owner shall verify proper installation.



The blowers (fans) can be rotated so air vents out the back of the hood.

The hood comes from the factory in the top-exhaust configuration; if you intend to use that configuration, you do not need to alter the blower's position.

If, however, the hood will be installed in a rear-exhaust configuration, *the blowers must be rotated* so the exhaust vents through the rear of the hood.

### Tools Needed

5/16" Nut driver

Cable ties

- AHT10 Transition kit (option), metal screws, foil tape
- 10" ducts, ducting material

8" Duct and ducting materials

Phillips screwdriver

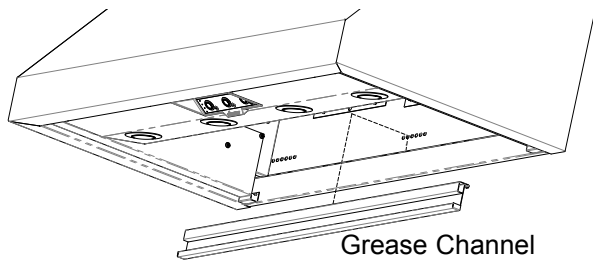
# Installation Instructions

## Rotating the Blower(s) for Rear Exhaust, cont.

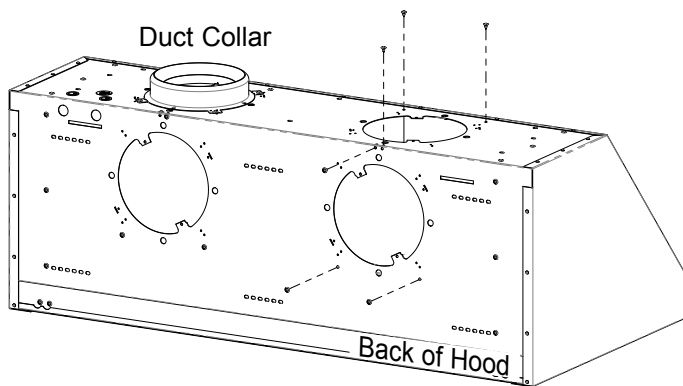
The images in this section were chosen to illustrate the intended information and may not exactly represent the hood being installed.

### Disassembling Parts

1. Unhook and remove the grease channel.



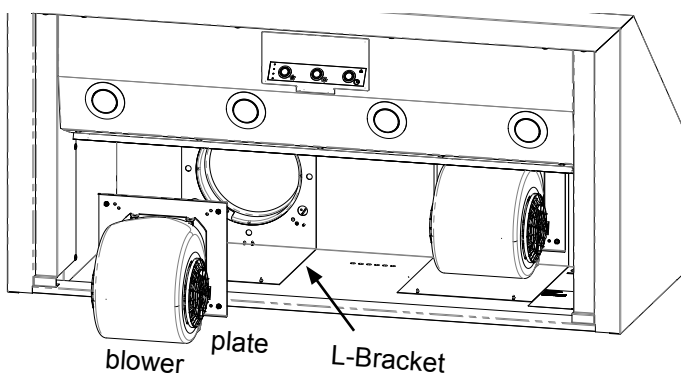
2. (Taking care not to scratch the hood) Place the hood assembly on a large, flat surface.



3. Remove the duct collar from the hood top. (Save the collar and screws.)

### Removing the Blower(s)

1. Carefully set the hood on its back to access the bottom.

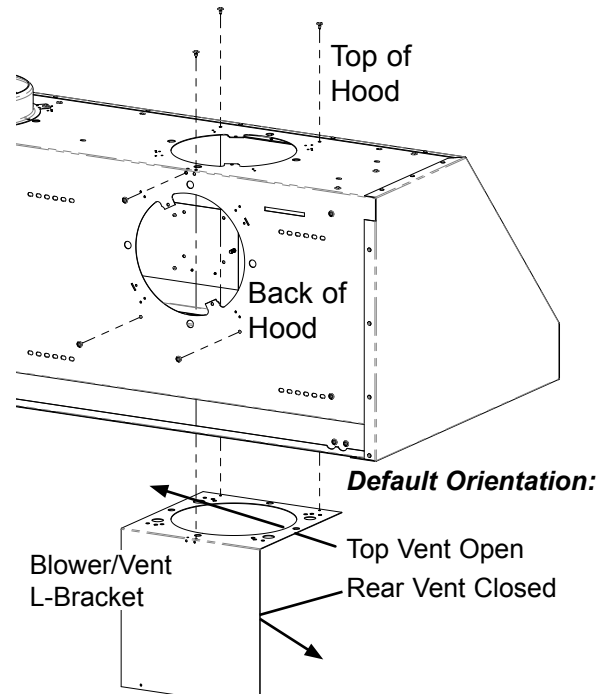


2. Find the end of the cable assembly plugged into the bottom left of the blower, then squeeze and unplug the connector. (To avoid damaging the cable assembly contacts and wires, *always* pull by the connector.)

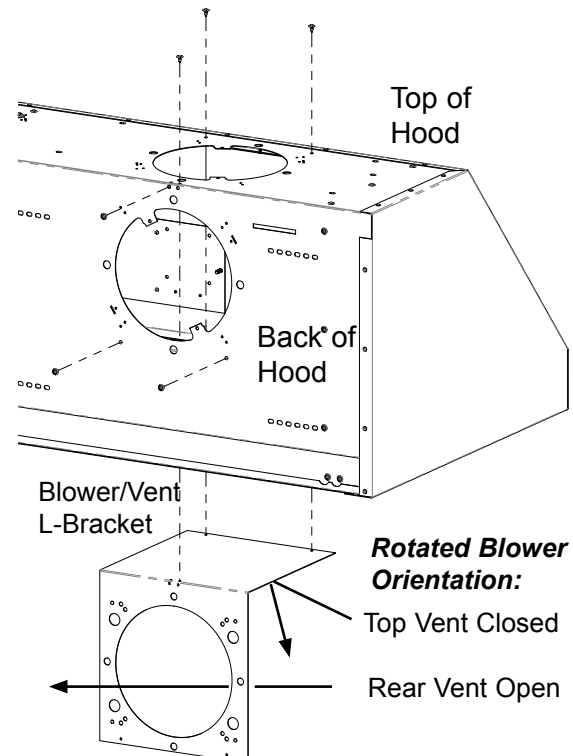
3. Unscrew the cable clamp(s), and remove the hardware that holds the blower and L-bracket (previous graphic).
4. Detach the blower and plate, and place them nearby.

### Orientating the Blower/Vent L-Brackets

1. Unscrew, and remove the L-bracket that is in the default top-venting orientation.



2. Turn and align the L-bracket so the hole is in back of the hood, allowing a rear-venting configuration.



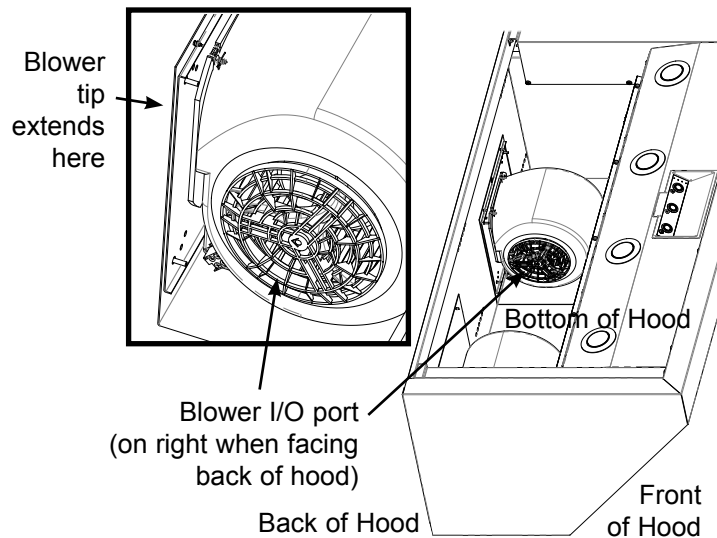


# Installation Instructions

## Rotating the Blower(s) for Rear Exhaust, cont.

### Orientating the Blower(s)

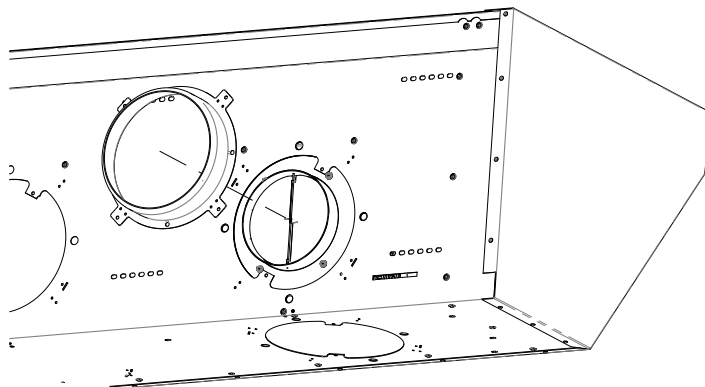
The blower(s) **must** be correctly positioned. Ensure the blower I/O port is against the **back** of the hood. Compare it with this graphic:



1. Turn the hood on its top so the tip of the blower can extend beyond the exit vent.
2. Insert the blower into the exit vent with this specific placement:  
When standing at the *back of the hood* and looking down at the blower (previous graphic):
  - The blower I/O port must be on the right
  - The blower exhaust port must be against the hood back.

### Finalizing the Rear-Vent Setup

1. Refasten the cable clamps and assembly to the hood.
2. Connect the cable assembly to the blower's I/O port.
3. Attach the duct collars to the back of the hood.



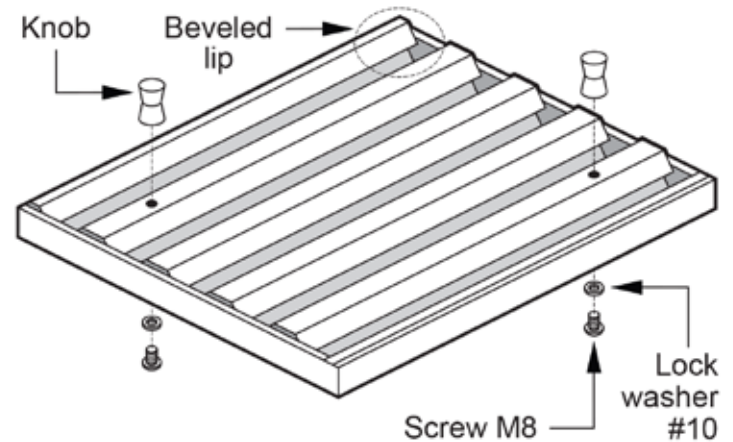
4. Return the hood to a safe, upright position.

## Assembling the Filters

Filters are boxed separately and must be assembled during installation. All needed knobs and hardware are included with the filters.

For correct orientation, ensure the top of the filter faces up. The filter's face has:

- plastic peel-away coating
- beveled lip on the inside frame
- screw holes on the ridge (not down in the trough)



### HWHP/HWHE/RNHP/RNHE Baffle-Style Filter

#### Instructions

1. Remove the plastic coating, and make sure the beveled lip faces up.
2. Align the screw, lock washer, and knob with the filter. Make sure the knob is *on the ridge*, and the screw and lock washer are *in the trough*.
3. Twist and tighten the knob onto each washer/screw.
4. Continue the hood installation, then install the filters after hanging the hood.

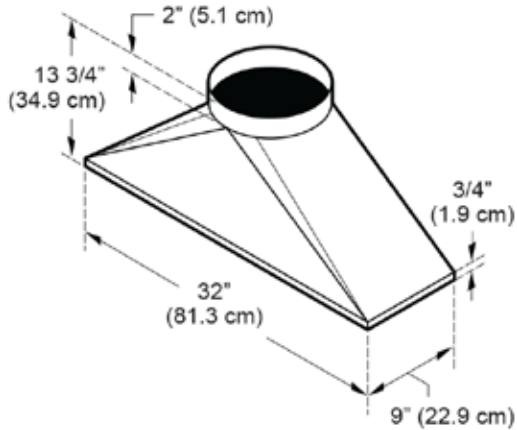
Replacement Part #	Description
702579	Baffle Filter Kit (1 pc + hardware)
702580	Baffle Filter Kit (2 pc + hardware)

# Installation Instructions

## Using the Dual-to-Single Transition Kit #AHT10

On dual-exhaust models, the two 8" duct exhausts can be transitioned into one 10" duct.

Assemble the Dacor transition kit #AHT10 (sold separately) *before you hang the hood*. This transition kit fits over the top/rear ventilation exits.



### Preparing the AHT10

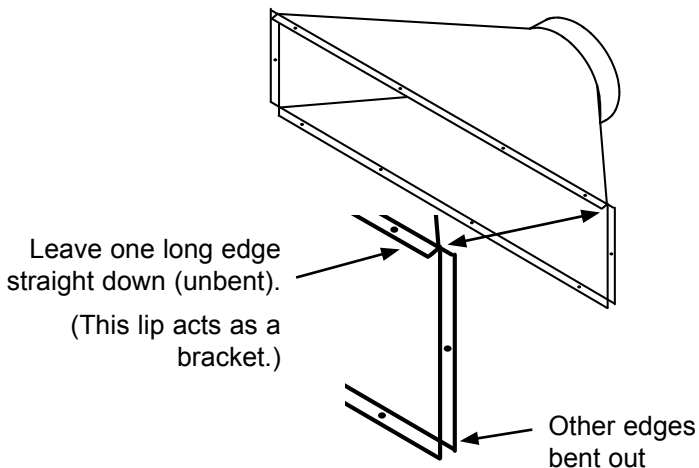
Create a lip around the transition kit by *bending the bottom edges outward* at right angles, creating a 3/4" flange around the base.

### Bending the Flange (12"-Tall Hoods)

Rear vent only, Models 3012, 3612, 4812

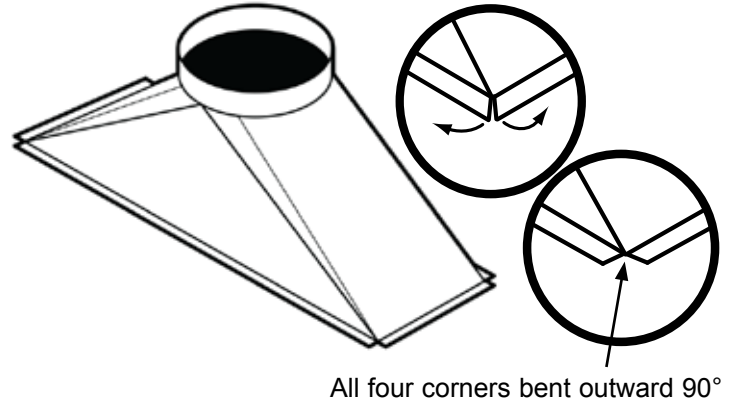
#### IMPORTANT

For rear-vent, 12-in. tall hood configurations (Models 3012, 3612, 4812), leave **one of the long edges straight**.



### Bending the Flange (18"-Tall Hoods)

- Top vent: Models 3018, 3618, 4818
- Rear vent: Models: 3018, 3618, 4818



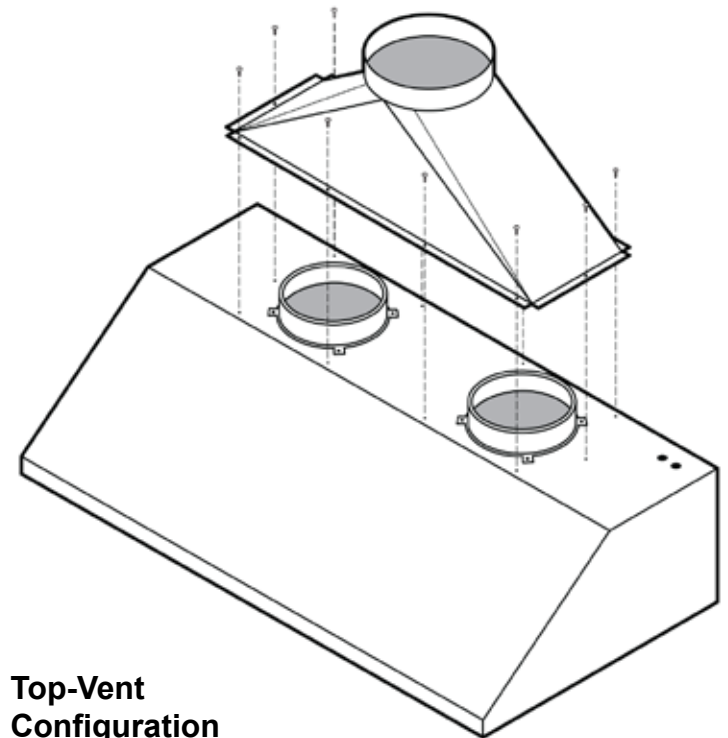
### Installing the AHT10

#### 12"-/18"-Tall Hood, Top-Vent Configuration and 18"-Tall Hood, Rear-Vent Configuration

This procedure instructs you how to install the AHT10 transition kit for top- and rear-vent configurations.

- Top-vent configuration comprises Models 3012, 3018, 3612, 3618, 4812, and 4818.
- Rear-vent configuration comprises Models 3018, 3618, 4818 with 18-in. height requirement.
- The transition kit does not include the sheet-metal screws needed for installing the hood.

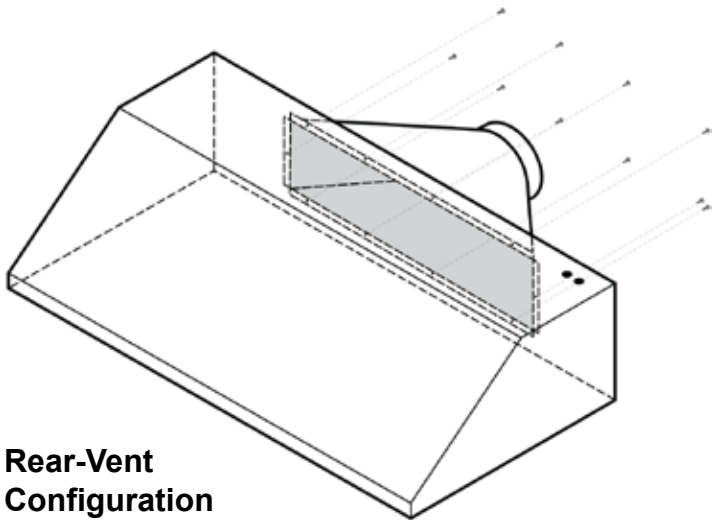
1. Center the transition kit over the duct collars.



#### Top-Vent Configuration



# Installation Instructions



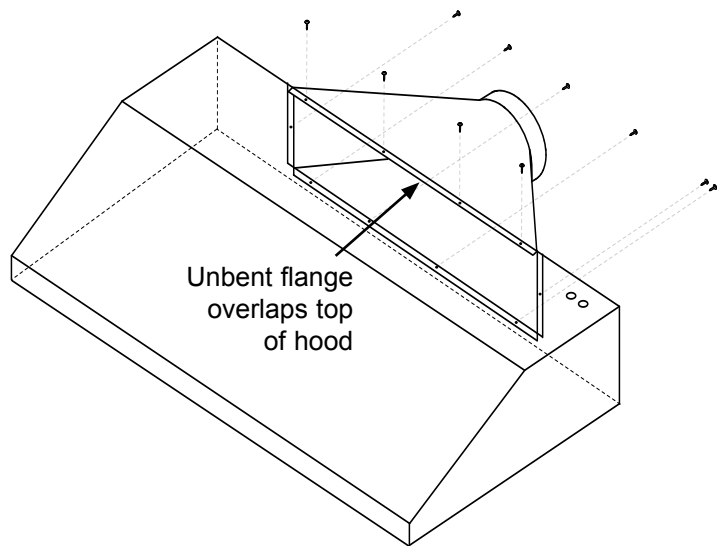
## Rear-Vent Configuration

2. Drill screwholes in the flanges, being sure to pierce the hood top.
3. With sheet-metal screws, fasten the AHT10 unit to the hood.
4. With foil tape/duct tape, seal the AHT10 unit's base.

## 12"-Tall Hood, Rear-Vent Configuration

This procedure instructs you how to install the AHT10 transition kit for 12"-tall rear-vent configuration, comprising Models 3012, 3612, and 4812.

1. Center the transition kit over the duct collars, **laying the unbent flange on the hood's top edge.**



2. Drill screwholes in the flanges, being sure to pierce the hood top/back.
3. With sheet-metal screws, fasten the AHT10 unit to the hood.
4. With foil tape/duct tape, seal the AHT10 unit's base.

## Hanging the Hood

### **WARNING**

*Hanging the range hood requires two people. Do not lift the hood unassisted.*

### **IMPORTANT**

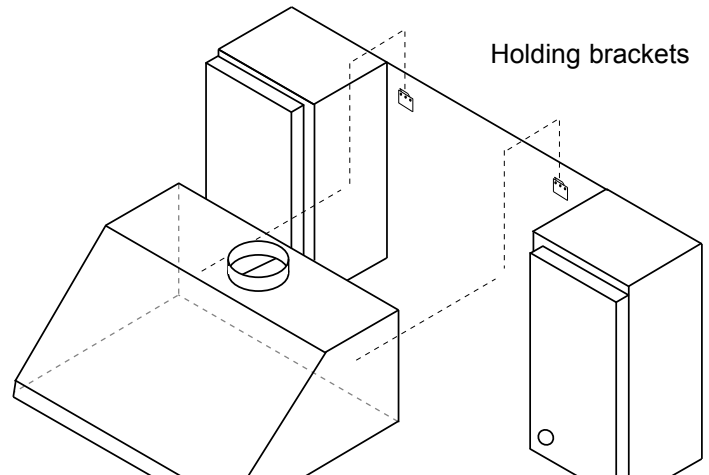
Take care not to scratch/damage the hood.

1. Remove the plastic film from the hood.

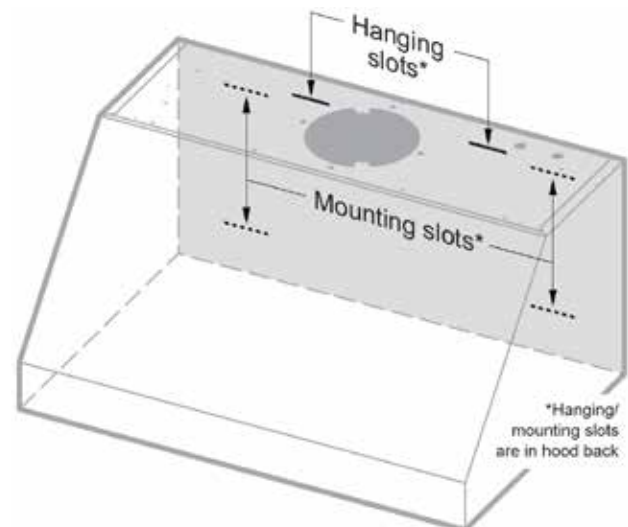
### **IMPORTANT**

*Hanging slots in the hood back engage the holding brackets to support the hood temporarily during installation.*

2. Lift, and slip the hood onto the holding brackets through the hanging slots in the hood back.



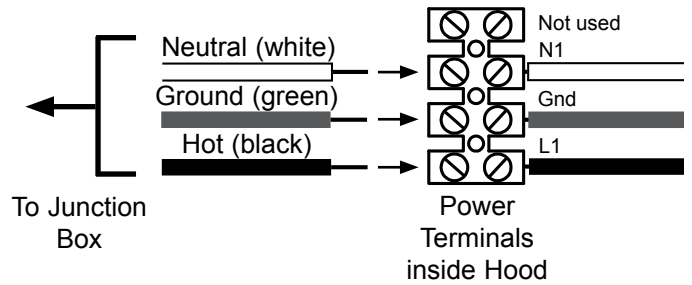
3. Adjust the hood into its final position.
4. Mark the spot by drawing in a mounting hole in the back of the hood. (This is where a screw will hold the hood to the wall stud or concrete anchor.)



# Installation Instructions

- (If needed) Mark the top of the hood if the configuration calls for the hood to be secured at the top.
- Remove the hood from the wall.
- Drill the pilot or anchor holes. (If using anchors, insert them into the anchor holes.)
- Re-engage the hood to the holding brackets.
- Adjust the hood into its final position, and fasten it in place:

## Hardwiring the Hood, cont.

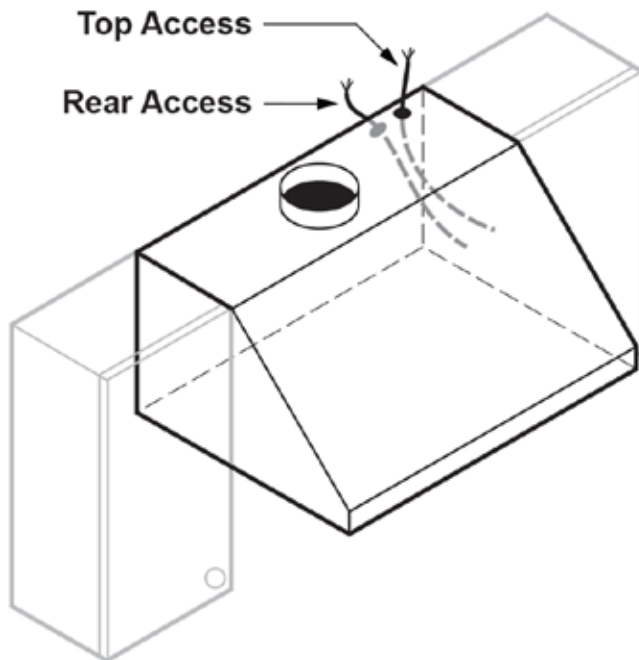


## Hardwiring the Hood

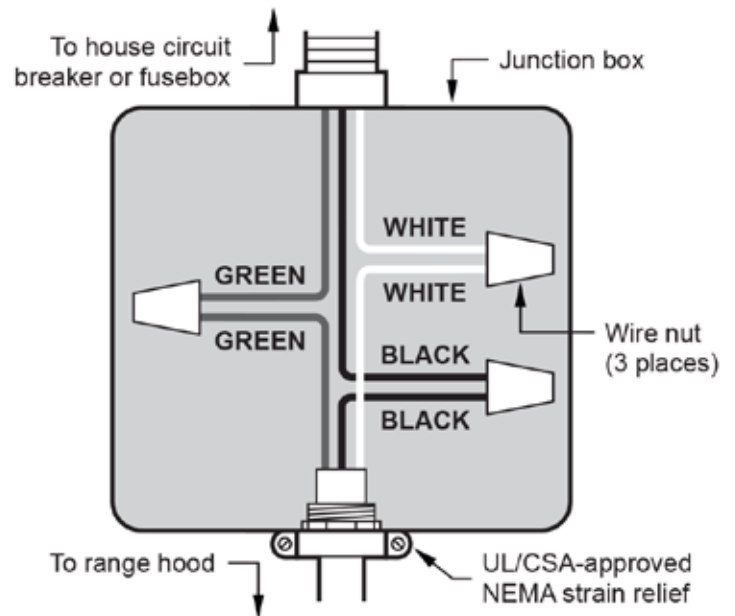
### WARNING

- To avoid electric shock/fire hazard:** Before you connect the electrical wiring, turn OFF power to the hood's power-supply line at the fuse box or circuit breaker.
- Miswiring the hood's electrical wiring can cause an electric shock or fire hazard and could damage the hood's electrical system. (See Pgs. 17-19.)
- Do not ground the wires to the neutral (white) wire. Connect the ground wire to a separate, properly grounded wire installed by a licensed electrician.
- Use only proper-gauge wire that meets all codes and can accommodate the total connected loads.

- Shut power OFF at the circuit breaker or fusebox.
- Feed the cable assembly through the hood.



### Control-Panel Wire Diagram



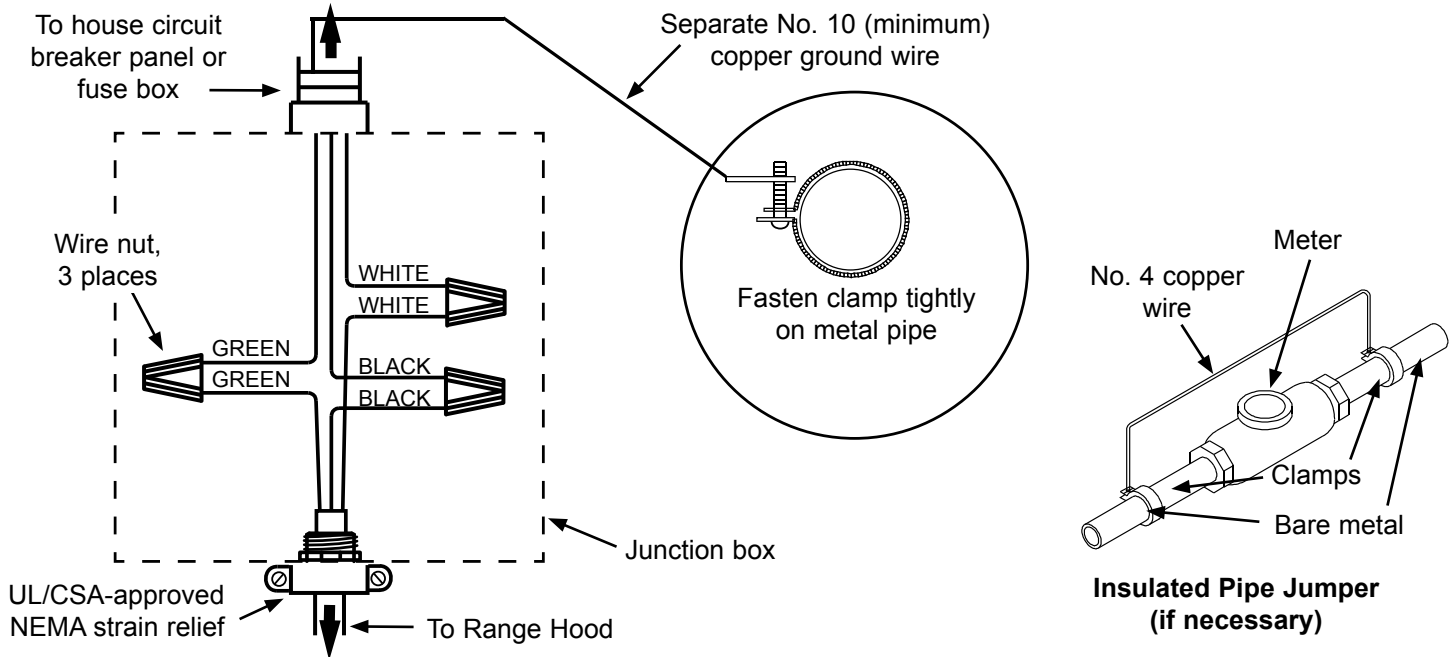
### Junction-Box Wire Diagram

- Connect the cable assembly to the blower.
- Connect the hood wiring to an electrical junction box on a dedicated circuit. (See *Wire Diagrams*.)

# Installation Instructions

## WARNING

- Do not ground the circuit to a gas line.
- Do not ground the circuit to a hot water pipe.
- Insulated water lines must be jumped to assure continuity to the ground. (See below.)



## Grounding by External Cold-Water Pipe

## Inserting Light Bulbs

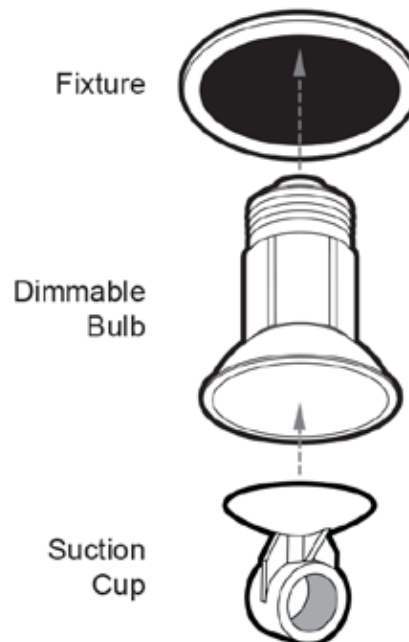
Be sure to use dimmable bulbs. The electronic board was designed for dimmable lights. Using non-dimmable bulbs causes damage and faulty performance.

Before changing bulbs, shut the main circuit breaker OFF. *An electrical short while the main power circuit is ON, can cause significant damage.*

If needed, clean the lens surface so the suction cup will stick to it.

Perform this procedure for each hood light.

1. Attach the suction cup to the lens of a dimmable light bulb (both supplied, see the graphic at right).
2. Screw the bulb into the light fixture, and remove the suction cup.
3. Switch the main circuit power ON.

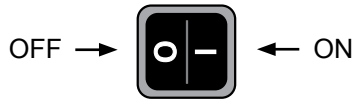


Replacement Part #	Description
702666	Dimmable LED Bulb Replacement Kit (1 bulb + 1 suction-cup tool)

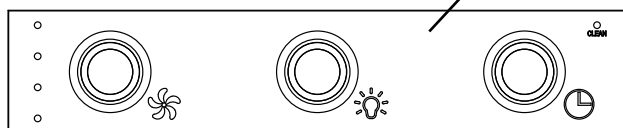
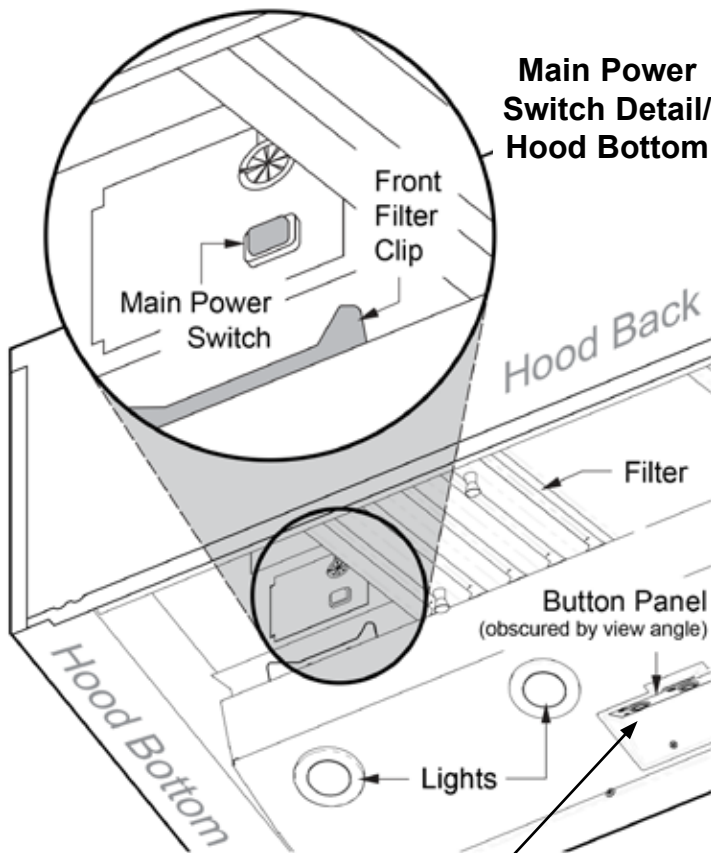
# Installation Instructions

## Verifying the Setup

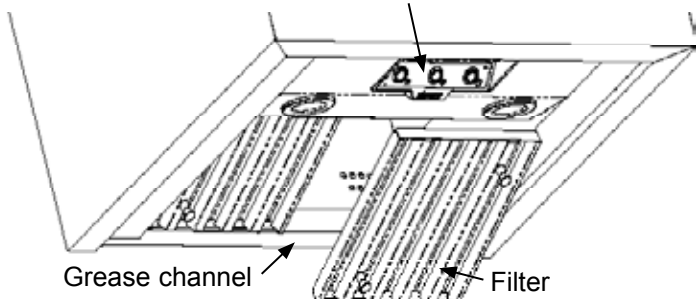
1. Turn OFF the main power switch.



2. Turn power ON at the circuit panel or fusebox.
3. Turn ON the main power switch.  
*The button panel flashes several times during startup.*
4. Insert the filters gently:
  - a. Do not scratch the back of the grease channel!
  - b. Set the front edge into the clip, and press forward.



Feature-Button Panel



- c. (Taking care not to scratch the grease channel or other hood/filter surfaces) Lift the rear edge above the grease channel.
  - d. Set the filter rear edge onto the grease channel.
5. On the hood feature-button panel, press the **LIGHTS** button to verify that all lights turn on.
  6. Press the **LIGHTS** button again to turn the lights to the Low setting.
  7. Press the **LIGHTS** button again to turn the lights off.
  8. Press/release the **FAN** button to verify that one fan-speed indicator turns on *and* the fan is on at low speed.
  9. Slowly press/release the **FAN** button three times:
    - a. to verify that the number of lights and fan speed increases each time, then
    - b. press the **FAN** button again to turn the fan OFF

## If the Hood Fails to Function Correctly:

1. Verify that power is supplied to the hood.
2. Remove the right-most filter to access the main power switch behind the button panel, and confirm the main power switch is ON.
3. Verify that the electrical connections are correctly done.
4. Perform the *Verify the Setup* procedure again.



### IMPORTANT

If the hood still does not work, contact Dacor Distinctive Service: (800) 793-0093 x2822. Do not try to repair the appliance yourself. Dacor is not responsible for service required to correct a faulty installation.

## Installation Checklist



### WARNING

- To ensure a safe and correct installation, this checklist should be completed by the installer to ensure complete and proper installation.
  - The homeowner is responsible for the Dacor range hood's proper installation, the importance of which cannot be overstated.
- The hood is properly attached to the wall per the instructions on Pgs. 10 and 15.
  - Ducting is fully installed; joints are secured with sheet-metal screws and wrapped with foil tape. See Pg. 19.
  - The hood is wired/grounded as instructed and per all applicable electric codes. See Pgs. 7, 19.
  - Filters are assembled as instructed on Pg. 18.
  - The setup was verified.
  - Any problems were noted on the warranty card or during the online warranty activation. The warranty card was completed and mailed, or the warranty activated online.

# Wiring Diagrams

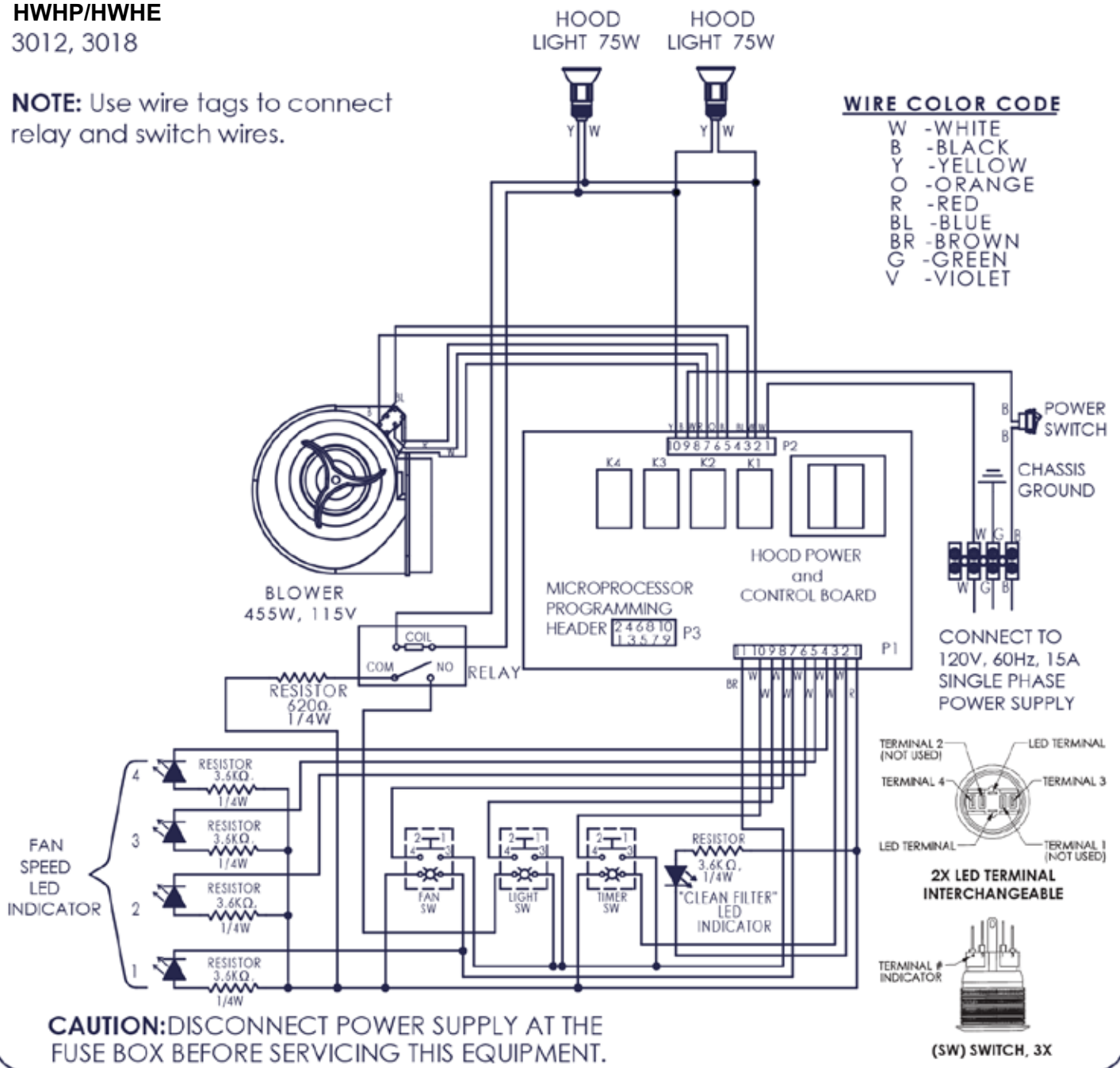
HWHP3012, -3018; HWHE3012, -3018

**WIRING DIAGRAM:**  
**HWHP/HWHE**  
 3012, 3018

**NOTE:** Use wire tags to connect relay and switch wires.

**WIRE COLOR CODE**

- W -WHITE
- B -BLACK
- Y -YELLOW
- O -ORANGE
- R -RED
- BL -BLUE
- BR -BROWN
- G -GREEN
- V -VIOLET



**Wiring Diagram: 1-Blower, 2-Light Models**

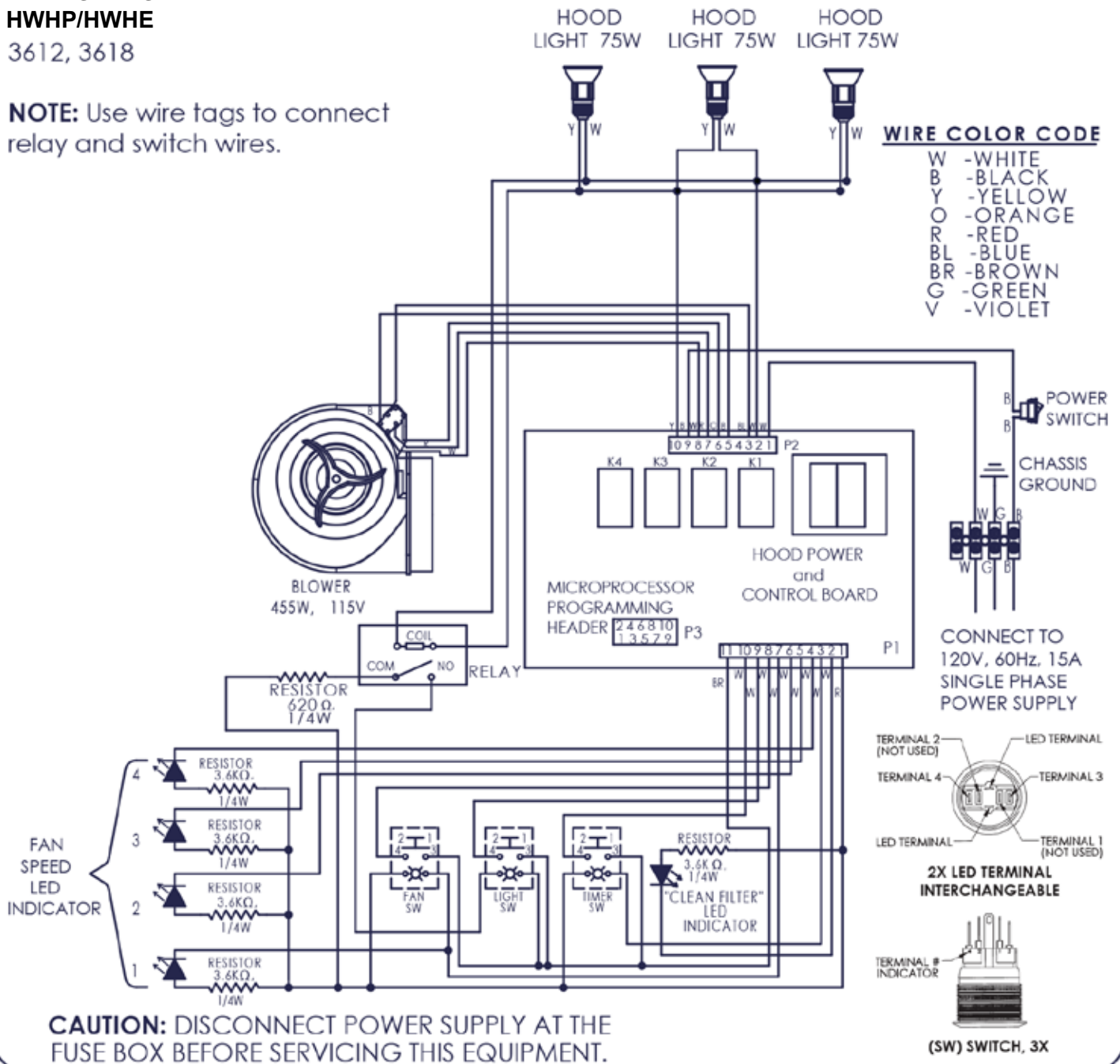


# Wiring Diagrams

HWHP3612, -3618; HWHE3612, -3618

**WIRING DIAGRAM:  
HWHP/HWHE  
3612, 3618**

**NOTE:** Use wire tags to connect relay and switch wires.



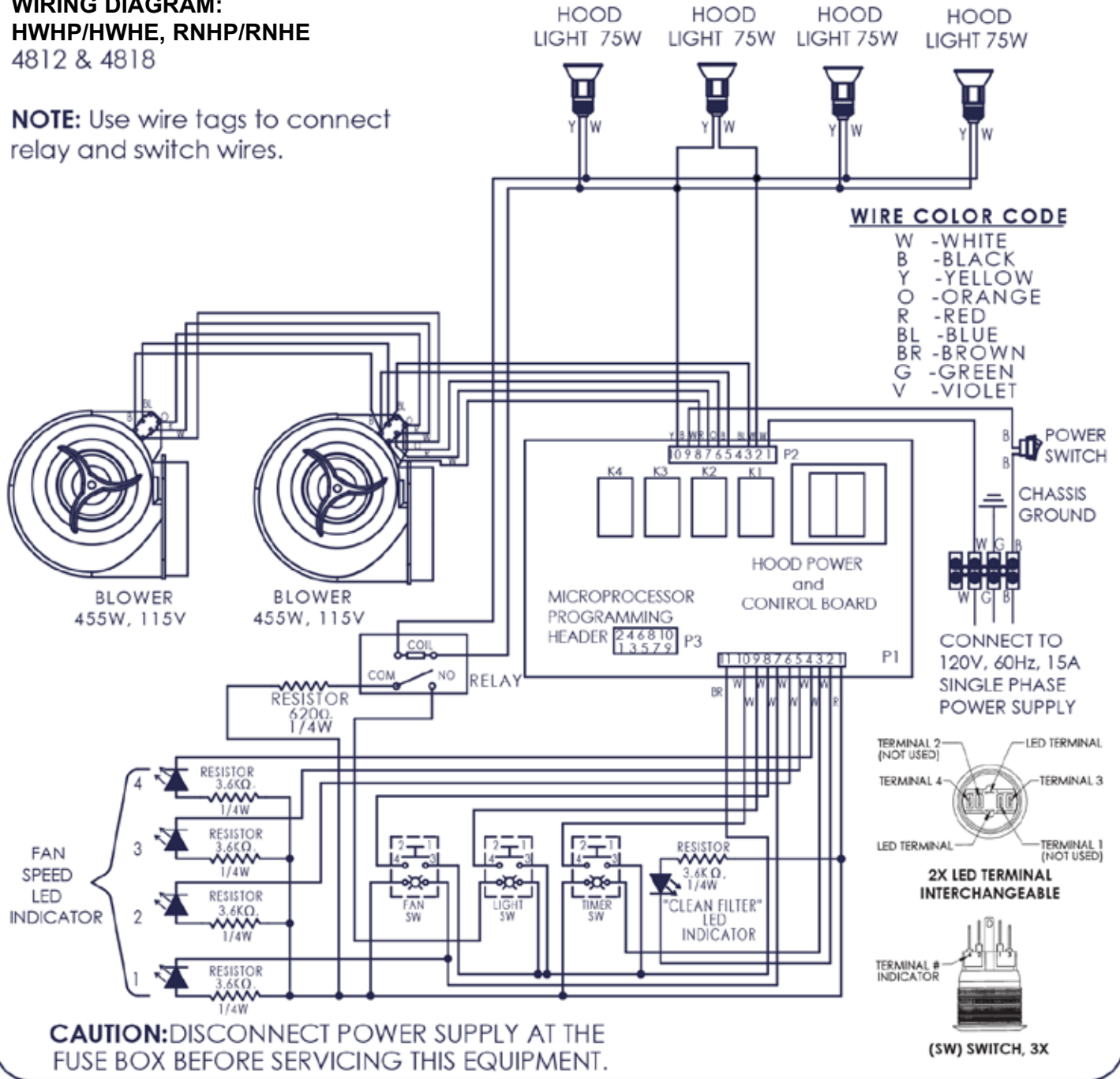
**Wiring Diagram: 1-Blower, 3-Light Models**

# Wiring Diagrams

HWHP4812, -4818; HWHE4812, -4818

**WIRING DIAGRAM:**  
**HWHP/HWHE, RNHP/RNHE**  
 4812 & 4818

**NOTE:** Use wire tags to connect relay and switch wires.



**Wiring Diagram: 2-Blower, 4-Light Models**

***dacor***

LET THE SHOW BEGIN