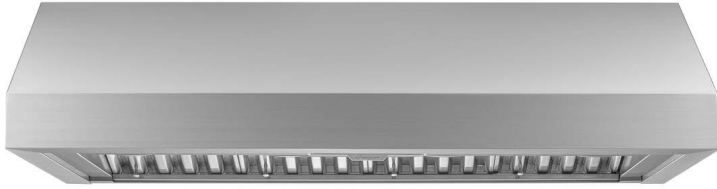




48-INCH WALL HOOD

HWHP48



AVAILABLE MODELS

- HWHP4812 48" Pro Wall Hood, 12" Height
- HWHP4818 48" Pro Wall hood, 18" Height

FEATURES & BENEFITS

- 1,200 CFM dual internal blower included
- LED lighting to light the cooking area
- Seamless canopy design enhances kitchen design
- American made
- Removable, easy-to-clean filters capture grease without affecting the airflow

CONTROL FEATURES

FAN SPEEDS	FOUR-SPEED
LOCATION	UNDER CANOPY

FEATURES

CFM	1,200 CFM BLOWER INCLUDED
FILTER TYPE	BAFFLE
REMOVABLE FILTER	YES
LIGHTING	LED
AUTO-ON	YES

TECHNICAL DETAILS

CIRCUIT BREAKER (A)	10
VOLTS (V)	120
FREQUENCY (HZ)	60
ENERGY SOURCE	ELECTRIC

DIMENSIONS

APPLIANCE DIMENSIONS (H X W X D) (IN.)	12" (HWHE4812), 18" (HWHE4818) X 48" X 24"
UPPER CABINET CUTOUT (W) (IN.)	48"

WARRANTY

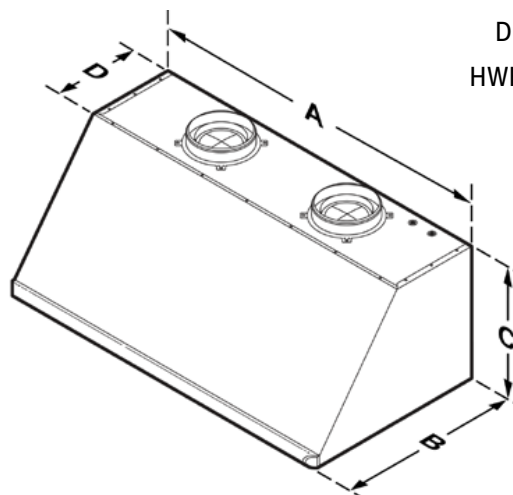
LIMITED, PARTS AND LABOR	1 YEAR
--------------------------	--------

dacor 48-INCH HOOD

APPLIANCE DIMENSIONS

HWHP4812/4818

A - WIDTH	47 7/8" (121.6 CM)
B - DEPTH	24" (61 CM)
C - HEIGHT	30 1/2 - 12" (30.5 CM), 30 1/8 - 18" (45.7 CM)
D - TOP DEPTH	11 7/8" (30.2 CM)



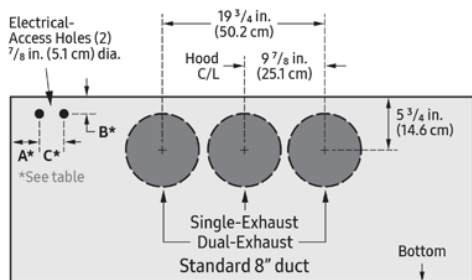
Dual Blower
HWHP 48 Series

REAR DIMENSIONS

HWHP4812/4818

A	5" (12.7 CM)
B	1" (2.54 CM)
C	3" (7.62 CM)

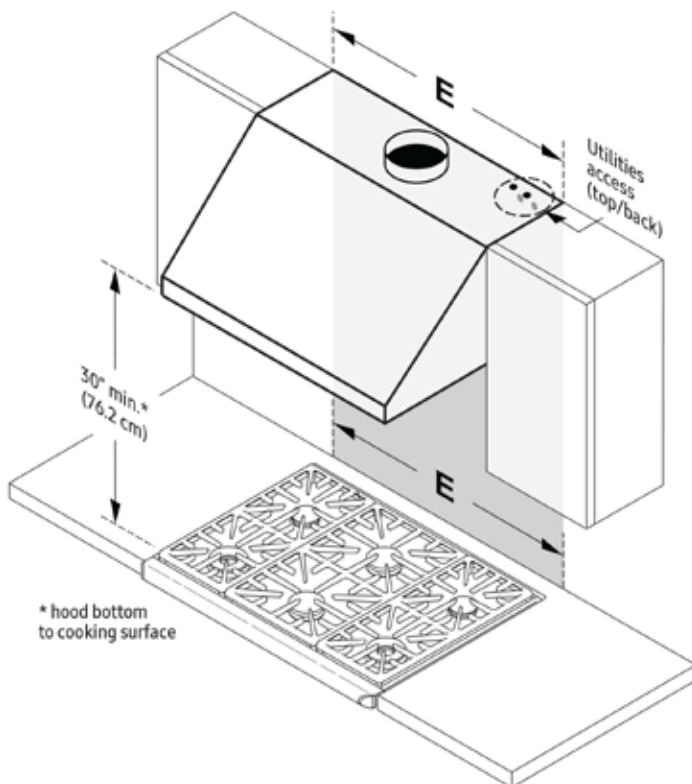
Rear Dimensions: Electrical-Access Holes



CUTOUT DIMENSIONS

HWHP4812/4818

E	48" (121.9 CM)
---	----------------



TOP DIMENSIONS

HWHP4812/4818

A	5" (12.7 CM)
B	1 1/2" (3.81 CM)
C	3" (7.62 CM)

Top Dimensions: Electrical-Access Holes

