

# 24-Inch Wine Dispenser

**\$6,499**

**dacor**



**DWS4000BB** – Silver/Graphite Stainless

## Features & Benefits

- 4 bottle dispensing system
- 60 days preservation with argon gas
- Dual zone active cooling system
- Digital display with glass-touch control
- Custom dispensing volume
- Dual-pane glass with UV coating
- Spring piston bottle system
- Flush installation
- Reversible door
- Silver stainless or graphite finish

## Controls

<b>CONTROL TYPE</b>	Digital LCD Color Display
<b>SABBATH MODE</b>	Yes

## Features

<b>GLASS DOOR</b>	Dual-Pane UV-Resistant
<b>REVERSIBLE DOOR</b>	Yes
<b>INTERIOR MATERIAL</b>	Stainless steel
<b>DISPENSING VOLUME</b>	Free Pour, 2 oz. (Customizable), 4 oz. (Customizable)
<b>LIGHTING</b>	LED
<b>BOTTLE INDICATOR</b>	Yes
<b>AUTOMATIC ELECTRONIC DOOR LOCK</b>	Yes
<b>CHILD LOCK</b>	Yes
<b>DOOR ALARM</b>	Visual Icon Only

## Refrigerator

<b>CAPACITY (BOTTLES)</b>	4
<b>ZONES</b>	2
<b>TEMPERATURE RANGE</b>	Left: 44°F to 72°F Right: 59°F to 72°F
<b>PRESERVATION</b>	Argon Gas
<b>REFRIGERANT</b>	R600a

## Weights & Dimensions

<b>NET WEIGHT (LBS.)</b>	85
<b>SHIPPING WEIGHT (LBS.)</b>	104
<b>PRODUCT DIMENSIONS (W X H X D IN INCHES)</b>	23 ¾ x 24 x 15 ¾
<b>STANDARD CUTOUT REQUIRED (W X H X D IN INCHES)</b>	22 ¼ x 24 x 18 ¾
<b>FLUSH CUTOUT REQUIRED (W X H X D IN INCHES)</b>	23 ¾ x 24 ¼ x 18 ¾

## Technical Details

<b>ELECTRICAL REQUIREMENTS</b>	120V, 60 Hz, 15A
--------------------------------	------------------

## Warranty

<b>FULL COVERAGE</b>	2 Years
----------------------	---------

## Accessories (Required)

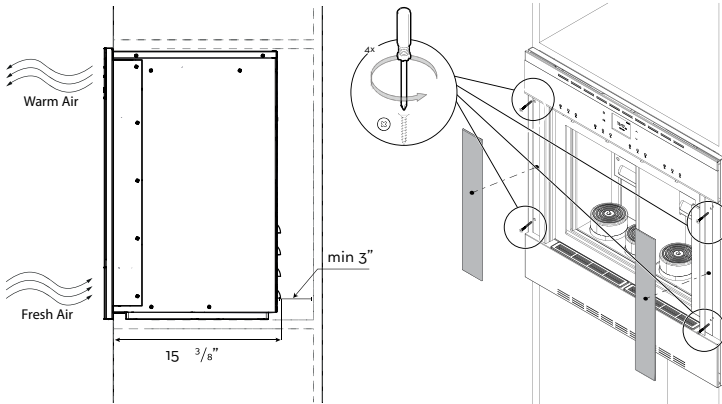
<b>AWS4000GP</b>	2 Argon Gas Canisters, 8 Pickup Tubes	\$599
------------------	---------------------------------------	-------

# 24-Inch Wine Dispenser

\$6,499

**dacor**

## Standard Installation



## Flush Installation

