



## 30-INCH SINGLE WALL OVEN

DOB30M977S | CONTEMPORARY STYLE



### AVAILABLE MODELS

|             |  |
|-------------|--|
| DOB30M977SM | 30" Steam-Assisted Single Wall Oven Graphite Stainless Steel |
| DOB30M977SS | 30" Steam-Assisted Single Wall Oven Stainless Steel          |

### FEATURES & BENEFITS

- Available in graphite stainless steel and silver stainless steel.
- Exclusive Four-Part Dual Pure Convection - heat, air, baffle and filter to precisely distribute heat for superior cooking results.
- Steam and Convection Oven - the power of steam assist and convection cooking in one.
- Oven capacity: 4.8 cu. ft.
- Easy to use / refill water reservoir for steam cooking.
- 7" LCD control panel.
- BrightVue™ - integrated LED lights in the oven door + Halogen lights.
- SoftShut™ oven doors.
- SmartThings app with integrated Wi-Fi to control and monitor remotely.

### ACCESSORIES (INCLUDED)

|                           |   |
|---------------------------|---|
| GLIDERACK™                | 2 |
| STANDARD RACK             | 1 |
| TEMPERATURE PROBE         | 1 |
| MESH FILTER               | 2 |
| AUTOMATIC WATER RESERVOIR | 1 |

### ACCESSORIES (OPTIONAL)

|                          |               |
|--------------------------|---------------|
| COOKIE SHEETS (SET OF 3) | SKU - ACSM303 |
|--------------------------|---------------|

### GENERAL PROPERTIES

|               |  |
|---------------|--|
| COOKING MODES | BAKE - BROIL - CONVECTION<br>BAKE - CONVECTION ROAST - CONVECTION<br>BROIL - FOUR PART PURE CONVECTION - PURE CONVECTION SEAR - STEAM BAKE - STEAM ROAST |
|---------------|--|

### ADDITIONAL FEATURES

|                 |   |
|-----------------|---|
| CLEANING TYPE   | SELF CLEAN & GREENCLEAN                         |
| CONTROLS        | 7" TFT LCD                                      |
| WI FI           | YES   |
| RACK POSITIONS  | 6   |
| CONVECTION TYPE | FOUR PART DUAL PURE CONVECTION WITH MESH FILTER |
| LIGHTING        | BRIGHTVUE™ - LED + HALOGEN                      |

### OVEN PERFORMANCE

|                    |                              |
|--------------------|------------------------------|
| BAKE               | 3,000W - 8 PASS              |
| BROIL              | 4,400W - 10 PASS             |
| CONVECTION ELEMENT | 1,300W (EACH - 2,600W TOTAL) |
| STEAM HEATER       | 500W                         |

### CONTROL FEATURES

|               |     |
|---------------|-----|
| DELAY START   | YES |
| KITCHEN TIMER | YES |
| SABBATH MODE  | YES |
| CHILD LOCK    | YES |

### ADDITIONAL MODES

|                    |     |
|--------------------|-----|
| KEEP WARM          | YES |
| PROOF (LOWER TEMP) | YES |
| PROOF              | YES |
| PIZZA STONE MODE   | YES |
| DEHYDRATE          | YES |
| GOURMET COOK       | YES |
| INSTANTHEAT™       | YES |
| TEMPERATURE PROBE  | YES |
| AUTO CONVERSION    | YES |

### TECHNICAL DETAILS

|                     |           |
|---------------------|-----------|
| CIRCUIT BREAKER (A) | 30        |
| VOLTS (V)           | 240 / 208 |
| FREQUENCY (HZ)      | 60        |
| ENERGY SOURCE       | ELECTRIC  |

### DIMENSIONS & WEIGHT

|  |                             |
|--|-----------------------------|
| APPLIANCE DIMENSIONS (W X H X D) (IN.) | 29 7/8" X 28 7/8" X 24 1/2" |
| REQUIRED CUTOUT SIZE (W X H X D) (IN.) | 30 1/4" X 29 1/8" X 24 7/8" |
| OVEN CAPACITY (CUBIC FEET)             | 4.8                         |
| NET WEIGHT (LBS)                       | 213.8 LBS                   |

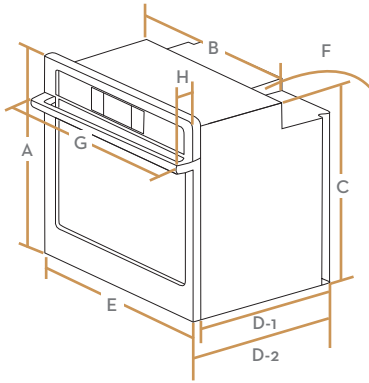
### WARRANTY

|                          |         |
|--------------------------|---------|
| LIMITED, PARTS AND LABOR | 2 YEARS |
|--------------------------|---------|

# dacor

## 30-INCH SINGLE WALL OVEN

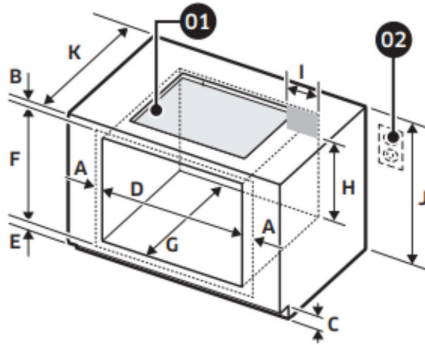
### APPLIANCE DIMENSIONS



### APPLIANCE DIMENSIONS

|     |                  |   |
|-----|------------------|---|
| A   | 28 7/8" (73.1CM) | OVERALL HEIGHT (RECESSED HEIGHT IN FLUSH INSTALL) |
| B   | 28 1/2" (72.4CM) | RECESSED WIDTH                                    |
| C   | 27 1/5" (69.1CM) | RECESSED HEIGHT                                   |
| D-1 | 23 1/8" (58.7CM) | RECESSED DEPTH (STANDARD INSTALL)                 |
| D-2 | 24 1/2" (62.2CM) | RECESSED DEPTH (FLUSH INSTALL)                    |
| E   | 29 7/8" (75.7CM) | DOOR WIDTH  |
| F   | 47 1/4" (120CM)  | CONDUIT LENGTH                                    |
| G   | 29 7/8" (75.7CM) | OVERALL WIDTH (HANDLE WIDTH)                      |
| H   | 3 1/2" (8.9CM)   | HANDLE DEPTH                                      |

### STANDARD CABINET DIMENSIONS



01 - Approved gas or electric cooktops may be installed over this oven. See cooktop installation instructions for cutout size. See label on top of approved cooktop models.

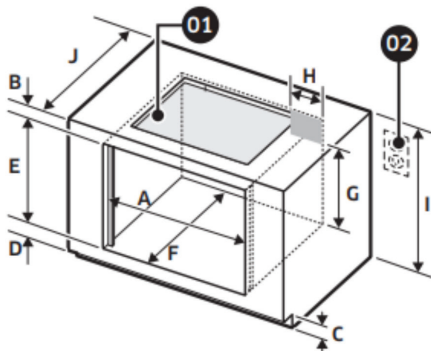
02 - Gas and Electrical connections for Gas Cooktop must be located in an adjacent accessible location to the right.

\*DTG cooktop cannot be installed over a wall oven.

### CABINET STANDARD DIMENSION

|   |   |
|---|---|
| A | MIN. 11/16" (1.75CM) - OVERLAP OF OVER SIDE EDGES OF CUTOUT |
| B | MIN. 1 3/8" (3.5CM)   |
| C | 4" (10.1CM)   |
| D | MIN. 28 1/2" / MAX. 28 5/8" (MIN. 72.4CM / MAX. 72.7CM)     |
| E | MIN. 1" / MAX. 1 1/4" (MIN. 2.5CM / MAX. 3.2CM)             |
| F | MIN. 27 3/4" (MIN. 70.5CM)                                  |
| G | 23 1/2" (59.7CM)  |
| H | MIN. 22" (MIN. 55.9CM)                                      |
| I | MAX. 9 1/2" (MAX. 24.1CM) JUNCTION BOX                      |
| J | 36" (91.4CM) COUNTER TOP HEIGHT                             |
| K | 25" (63.5CM)  |

### FLUSH CABINET DIMENSIONS



01 - Approved gas or electric cooktops may be installed over this oven. See cooktop installation instructions for cutout size. See label on top of approved cooktop models.

02 - Gas and Electrical connections for Gas Cooktop must be located in an adjacent accessible location to the right.

\*DTG cooktop cannot be installed over a wall oven.

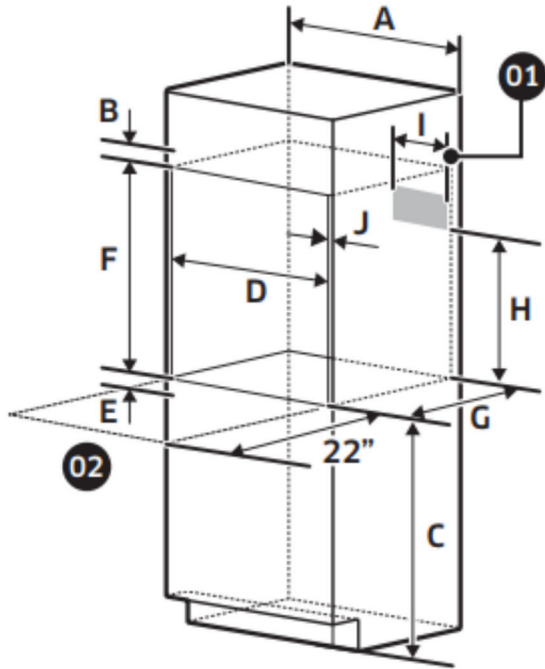
### CABINET STANDARD DIMENSION

|   |   |
|---|---|
| A | MIN. 30 1/4" (MIN. 76.7CM)                      |
| B | MIN. 1 3/8" (3.5CM)                             |
| C | 4" (10.1CM)                                     |
| D | MIN. 2 1/2" (MIN. 6.4CM)                        |
| E | MIN. 29 1/8" (MIN. 74.0CM)                      |
| F | MIN. 24 7/8" (MIN. 63.0CM)                      |
| G | MIN. 22" (MIN. 55.9CM)                          |
| H | MAX. 9 1/2" (MAX. 24.1CM) JUNCTION BOX          |
| I | MIN. 11/16" (1.75CM) - WOODEN CABINET THICKNESS |
| J | 25 4/5" (65.5CM)                                |

# dacor

## 30-INCH SINGLE WALL OVEN

### STANDARD WALL MOUNT



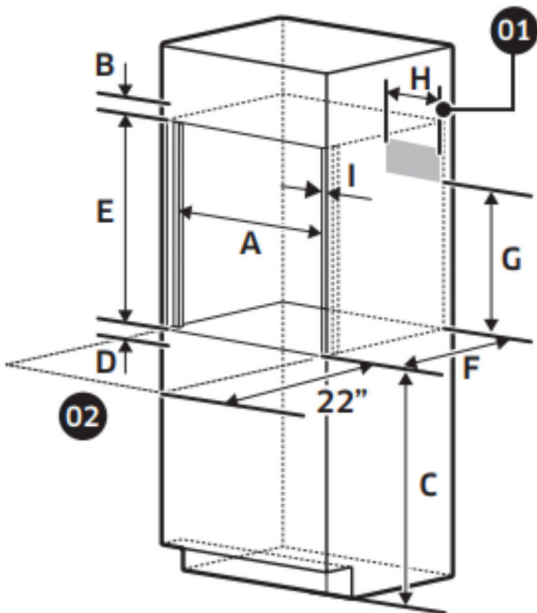
01 - Junction Box

02 - Allow a minimum of 22" for clearance to adjacent corners, drawers, walls, etc. when door is open.

### CABINET STANDARD DIMENSION

| CABINET | STANDARD DIMENSION                              |
|---------|---|
| A       | 30" (76.2)                                      |
| B       | MIN. 1 3/8" (3.5CM)                             |
| C       | MIN. 31" (MIN 78.7CM)                           |
| D       | MIN. 28 3/4" (MIN. 73.0CM)                      |
| E       | MIN. 1" / MAX. 1 1/4" (MIN. 2.5CM / MAX 3.2CM)  |
| F       | MIN. 27 3/4" (MIN. 70.4CM)                      |
| G       | MIN. 23 1/2" (MIN 59.7CM)                       |
| H       | MIN. 22" (MIN. 55.9CM)                          |
| I       | MAX. 9 1/2" (MAX 24.1CM) - JUNCTION BOX         |
| J       | MIN. 11/16" (1.75CM) - WOODEN CABINET THICKNESS |

### FLUSH WALL MOUNT



01 - Junction Box

02 - Allow a minimum of 22" for clearance to adjacent corners, drawers, walls, etc. when door is open.

### CABINET FLUSH DIMENSION

| CABINET | FLUSH DIMENSION                                 |
|---------|---|
| A       | MIN. 30 1/4" (MIN. 76.7CM)                      |
| B       | MIN. 1 3/8" (3.5CM)                             |
| C       | MIN. 31" (MIN 78.7CM)                           |
| D       | MIN. 2 1/2" (MIN. 6.4CM)                        |
| E       | MIN. 29 1/8" (MIN. 74.0CM)                      |
| F       | MIN. 24 7/8" (MIN 63CM)                         |
| G       | MIN. 22" (MIN. 55.9CM)                          |
| H       | MAX. 9 1/2" (MAX 24.1CM) - JUNCTION BOX         |
| I       | MIN. 11/16" (1.75CM) - WOODEN CABINET THICKNESS |