

30-Inch Single Wall Oven with Steam

\$3,999 | TRANSITIONAL

dacor



DOB30T977SS/DA - Silver Stainless

Features & Benefits

- Steam-Assist oven
- Dual Four-Part Pure Convection system
- BrightVue™ LED & halogen lighting
- 7-inch LCD control panel with SmartThings Wi-Fi connectivity
- Chef Mode guided cooking
- Digital temperature probe
- Self-clean oven
- SoftShut™ hinges

Controls

CONTROL TYPE	7" Motorized LCD Touchscreen & Knobs
CHEF MODE GUIDED COOKING	Yes
NUMBER OF KNOBS	2
ILLUMINA™ KNOBS	White
WI-FI + SMARTTHINGS	Yes
CLOCK	Yes
DELAY START	Yes
KITCHEN TIMER	Yes
CHILD LOCK	Yes
SABBATH MODE	Yes

Steam Oven

OVEN CAPACITY (CU. FT.)	4.8
CONVECTION	Dual Four-Part Pure
STEAM	Steam-Assist
BAKE ELEMENT	3,000W - 8 Pass
BROIL ELEMENT	4,400W - 10 Pass
CONVECTION ELEMENT	2 x 1,300W
INSTANTHEAT™ (NO PREHEAT)	Yes
TEMPERATURE PROBE	Yes
LIGHTING	BrightVue™ - LED & Halogen
SELF-CLEAN	Self-Clean, GreenClean™
SOFTSHUT™	Yes

Weights & Dimensions

NET WEIGHT (LBS.)	84
SHIPPING WEIGHT (LBS.)	96
PRODUCT DIMENSIONS (W X H X D IN INCHES)	29 ¾ x 28 ⅞ x 24 ½
STANDARD CUTOUT REQUIRED (W X H X D IN INCHES)	28 ½ x 27 ¼ x 23 ½
FLUSH CUTOUT REQUIRED (W X H X D IN INCHES)	30 ¼ x 29 x 24 ⅞

Technical Details

ELECTRICAL REQUIREMENT	240/208V, 60 Hz, 30A
-------------------------------	----------------------

Warranty

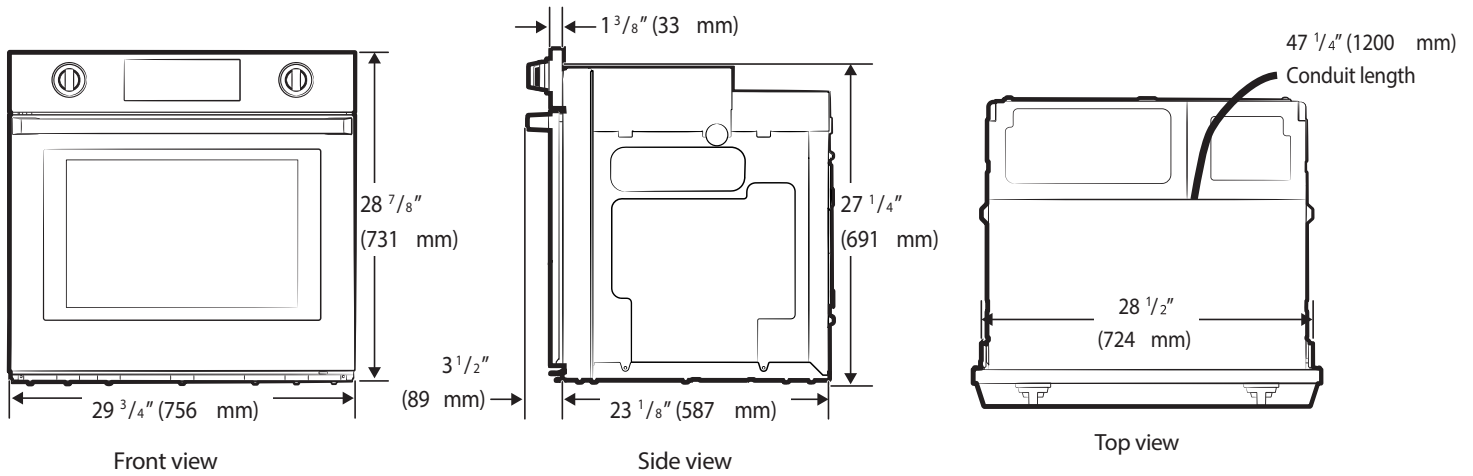
FULL COVERAGE	2 Years
----------------------	---------

30-Inch Single Wall Oven with Steam



\$3,999 | TRANSITIONAL

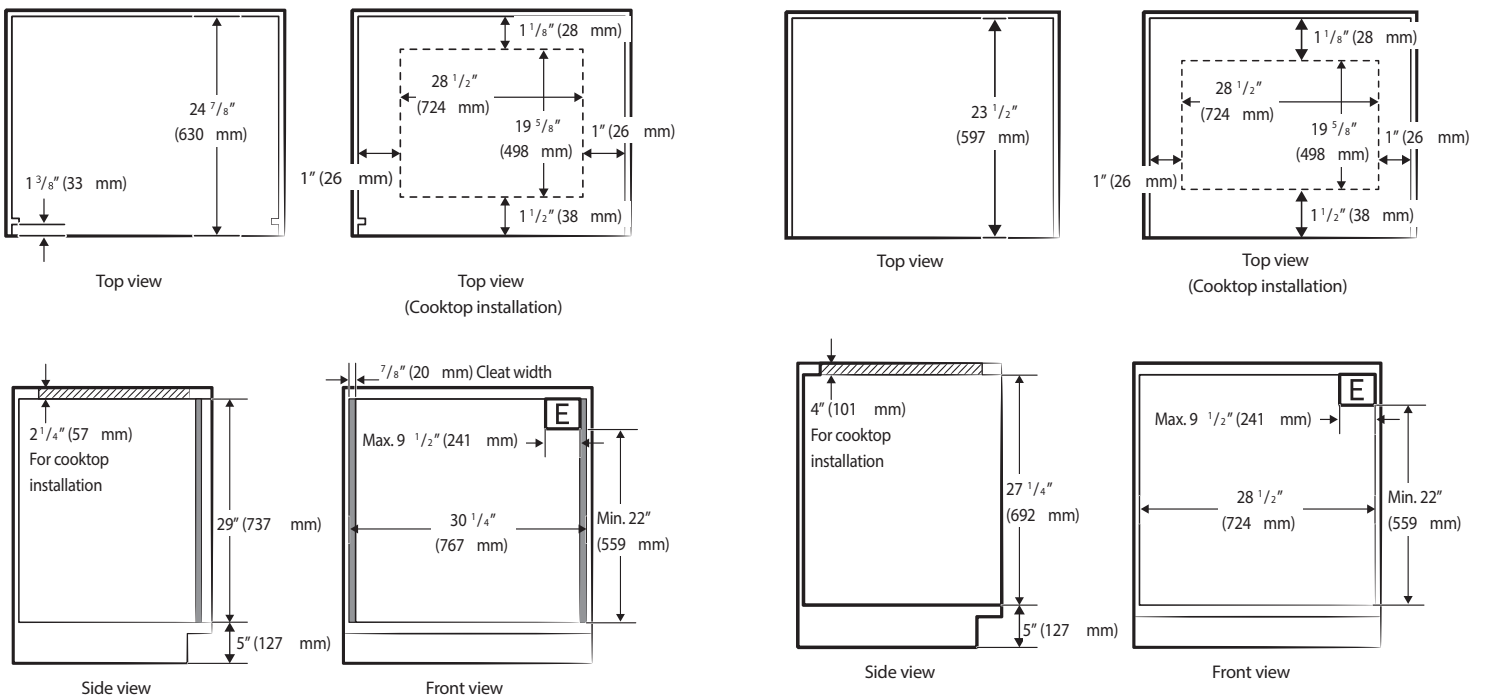
Product Dimensions



Installation Cutout Dimensions (Flush)

Allow a minimum of 22" for clearance to adjacent corners, drawers, walls, etc. when door is open.

Installation Cutout Dimensions (Standard)



Model numbers, specifications, and prices are subject to change at any time without notice. Visit dacor.com for the most up-to-date information. | Effective June 2023