

HWO127, HWO130

All tolerances: $\pm 1/16"$ (± 1.6 mm) unless otherwise stated.



Heritage® 27" and 30" Wide Single Wall Oven

PLANNING GUIDE

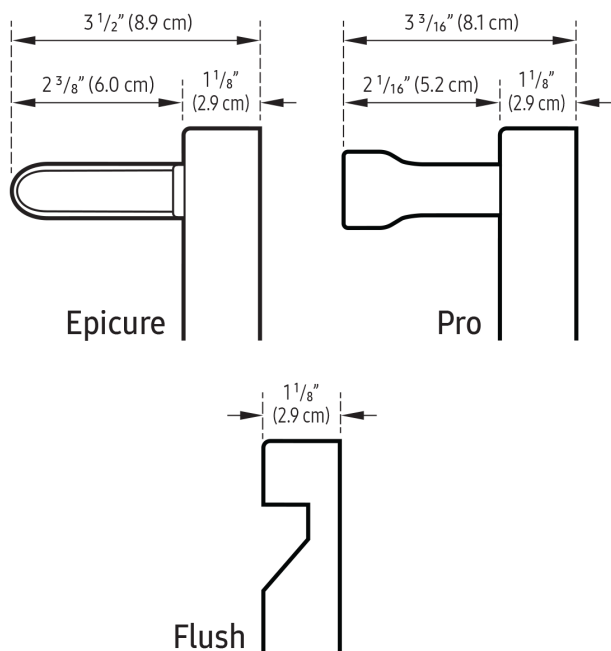
HWO ELECTRICAL SPECIFICATIONS

Model	Dedicated Circuit Requirements	Total Connected Load
HWO127	240 Vac 60 Hz, 4-wire*, 30 Amp.	240 Vac 60 Hz, 19.0 Amp., 4.7 kW
HWO130	240 Vac 60 Hz, 4-wire*, 30 Amp.	240 Vac 60 Hz, 24.5 Amp., 6.0 kW

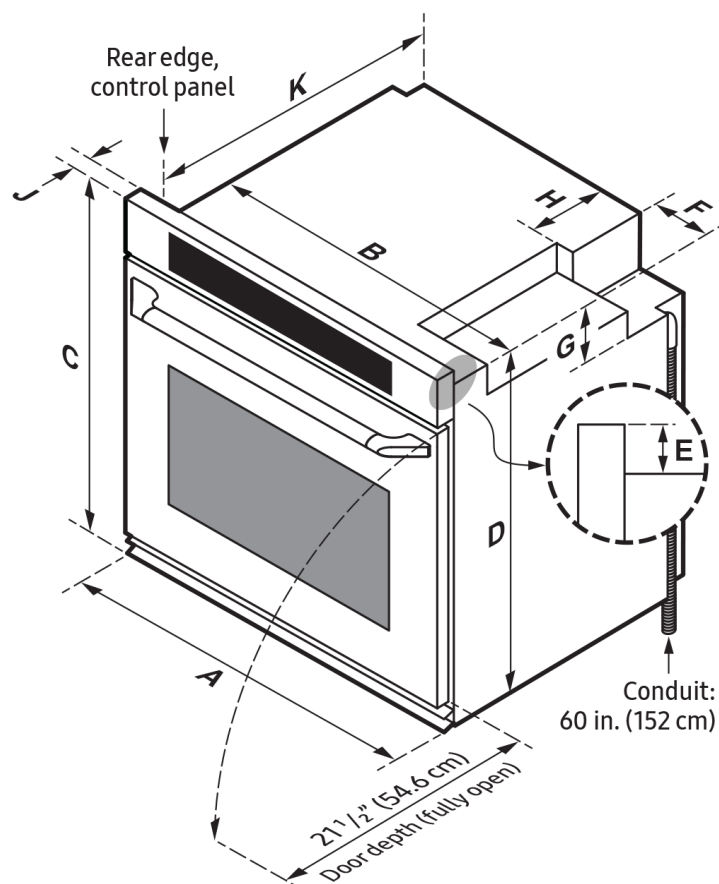
*Two 120 Vac hot (L1 and L2), one neutral, one ground; the above specifications are for reference only. See the appliance data plate for exact specifications.

⚠ WARNING

- Observe all governing codes and ordinances during planning and installation. Contact your local building department for details.
- This oven must be installed as specified in the installation instructions.



Handle Dimensions



HWO WALL-OVEN DIMENSIONS

Model	(A) Overall Width	(B) Chassis Width	(C) Overall Height	(D) Chassis Height	(E) Control Panel Overlay	(F) Utility Cutout Width	(G) Utility Cutout Height	(H) Utility Cutout Depth	(J) Control Panel Depth	(K) Chassis Depth
HWO127	26 7/8" (68.3 cm)	25 1/2" (64.8 cm)	27 3/4" (70.5 cm)	26 5/8" (67.6 cm)	1 1/8" (2.9 cm)	6 1/2" (16.5 cm)	5" (12.7 cm)	7 7/8" (20.0 cm)	1 1/4" (3.2 cm)	24" (61.0 cm)
HWO130	29 7/8" (75.9 cm)	28 1/2" (72.4 cm)		26 5/8" (67.6 cm)	1 1/8" (2.9 cm)	6 1/2" (16.5 cm)	5" (12.7 cm)	7 7/8" (20.0 cm)	1 1/4" (3.2 cm)	24" (61.0 cm)

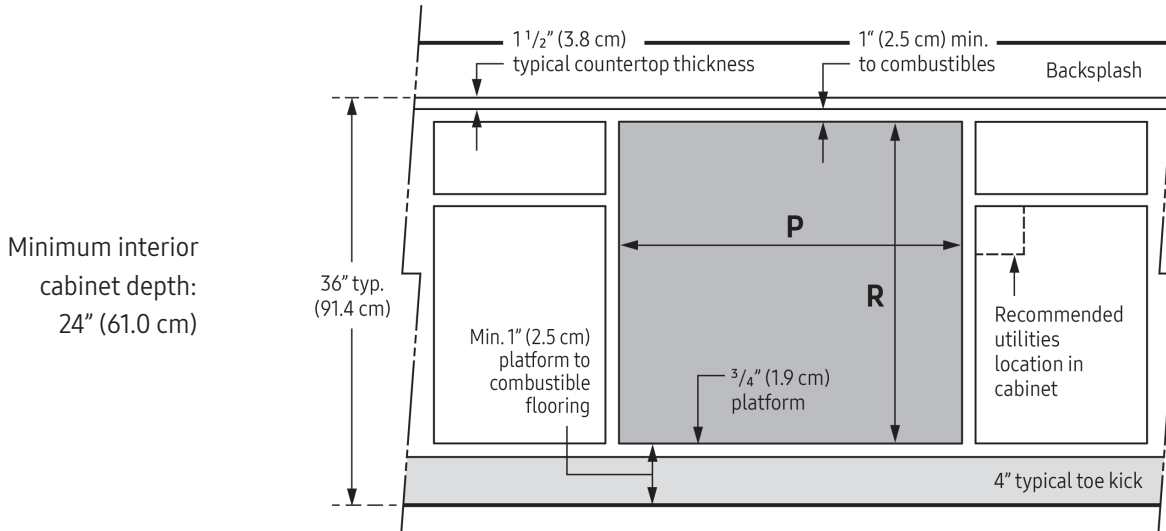
HWO127, HWO130

All tolerances: $\pm 1/16"$ (± 1.6 mm) unless otherwise stated.

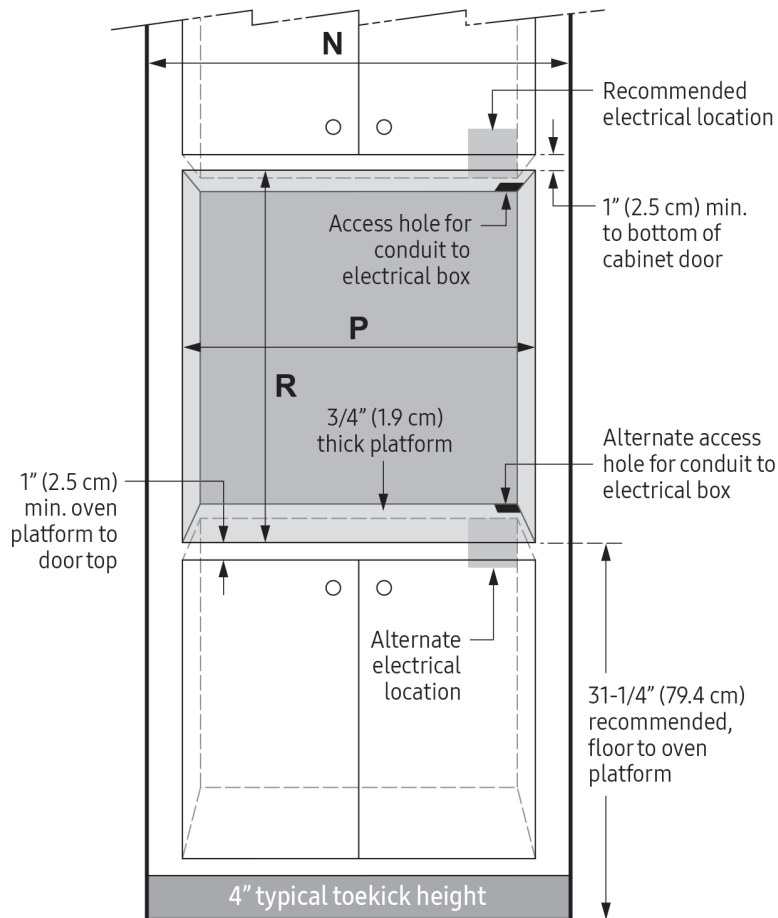


Heritage® 27" and 30" Wide Single Wall Oven

PLANNING GUIDE



Standard Under-Counter Cutout Dimensions



CABINET CUTOUT DIMENSIONS			
Model	(N) Min. Cab't Width	(P) Cutout Width	(R) Minimum Cutout Height
HWO127	27" (68.6 cm)	25 5/8" (65.1 cm) min. (recommended) 26 1/8" (66.4 cm) max.	27" (68.6 cm)
HWO130	30" (76.2 cm)	28 5/8" (72.7 cm) min. (recommended) 29 1/8" (74.0 cm) max.	

Standard Wall-Cabinet Cutout Dimensions