



27-INCH SINGLE WALL OVEN

HWO127 | PROFESSIONAL STYLE



AVAILABLE MODELS

HWO127PS	27" Single Wall Oven - Stainless Steel with Pro Style Handle
HWO127FS	27" Single Wall Oven - Stainless Steel with Flush Handle
HWO127PC	27" Single Wall Oven - DacorMatch Color System with Pro Style Handle
HWO127FC	27" Single Wall Oven - DacorMatch Color System with Flush Handle

FEATURES & BENEFITS

- Four-Part Pure Convection System provides superior heat distribution, and eliminates flavor transfer.
- RapidHeat™ Broil Element uses an 8-pass radiant ribbon element to broil food quickly and evenly.
- 4.5 cu. ft. oven capacity.
- 7 rack positions for multi-rack cooking.
- SoftShut™ doors.
- GlideRacks
- Self-Cleaning mode.
- Sabbath mode.

ACCESSORIES (INCLUDED)

GLIDERACK™	2
STANDARD RACK	1
TEMPERATURE PROBE	1

ACCESSORIES (OPTIONAL)

COOKIE SHEETS (SET OF 3)	ACSRO273
BROIL-ROASTING PAN SET	AORPVR
EPICURE HANDLE SET, 27"	AHHES27

GENERAL PROPERTIES

COOKING MODES	PURE CONVECTION™ CONVECTION BAKE CONVECTION BROIL CONVECTION ROAST BAKE BROIL
---------------	--

ADDITIONAL FEATURES

CLEANING TYPE	SELF CLEAN & GREENCLEAN™
RACK POSITIONS	7
CONVECTION TYPE	PURE CONVECTION™
LIGHTING	HALOGEN

OVEN PERFORMANCE

BAKE ELEMENT	3,000W - 8 PASS
BROIL ELEMENT	3,500W - 8 PASS
CONVECTION ELEMENT	2,200W

CONTROL FEATURES

DELAY TIME COOKING	YES
TIMED COOKING	YES
AUTOMATIC HOLD	YES
10-KEY PAD	YES
CLOCK	YES
TWO TIMERS	YES
SABBATH MODE	YES
CHILD LOCK	YES

ADDITIONAL MODES

KEEP WARM	YES
PROOF	YES
DEHYDRATE	YES
TEMPERATURE PROBE	YES

TECHNICAL DETAILS

CIRCUIT BREAKER (A)	30
VOLTS (V)	240
FREQUENCY (HZ)	60
ENERGY SOURCE	ELECTRIC

DIMENSIONS & WEIGHT

APPLIANCE DIMENSIONS (W X H X D) (IN.)	26 7/8" X 27 3/4" X 25 1/4"
REQUIRED CUTOUT SIZE (W X H X D) (IN.)	25 5/8" MIN X 27" MIN X 24" MIN
OVEN CAPACITY (CUBIC FEET)	4.5

WARRANTY

LIMITED, PARTS AND LABOR	1 YEAR
--------------------------	--------

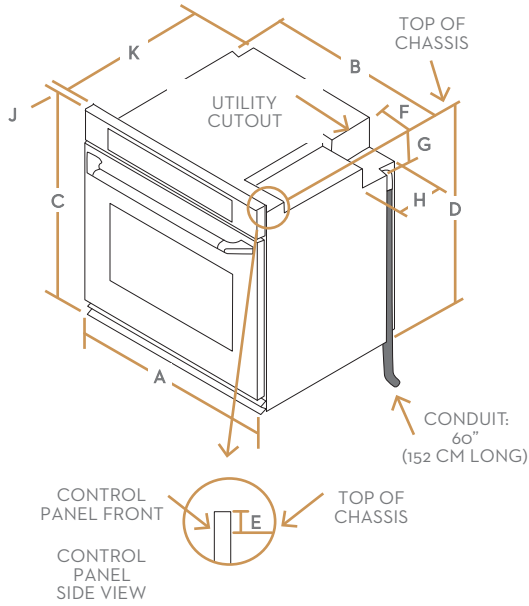
dacor

27-INCH SINGLE WALL OVEN

APPLIANCE DIMENSIONS

27"

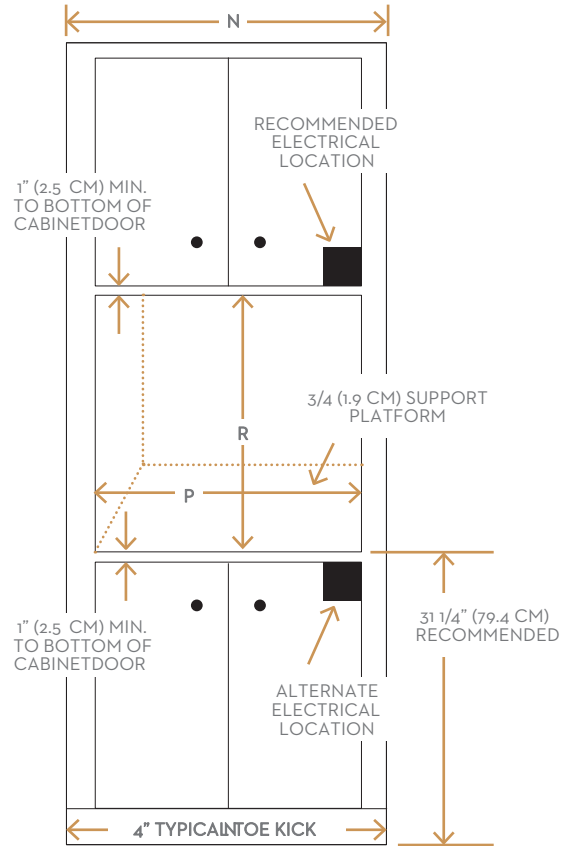
A	26 7/8" (68.3CM)	WIDTH (FACE)
B	25 1/2" (64.8CM)	WIDTH (CHASSIS)
C	27 3/4" (70.5 CM)	HEIGHT (OVERALL)
D	26 5/8" (67.6 CM)	HEIGHT (CHASSIS)
E	1 1/8" (2.9 CM)	TOP OF CHASSIS TO TOP OF CONTROL PANEL
F	6 1/2" (16.5 CM)	UTILITY CUTOUT (WIDTH)
G	5" (12.7 CM)	UTILITY CUTOUT (HEIGHT)
H	7 7/8" (20.0 CM)	UTILITY CUTOUT (DEPTH)
J	1 1/4" (3.2 CM)	CONTROL PANEL (DEPTH)
K	24" (61.0 CM)	DEPTH (CHASSIS)



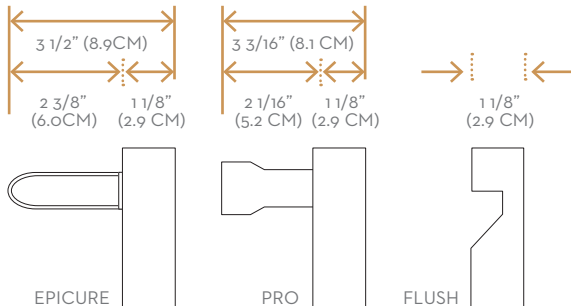
INSTALLATION CUTOUT DIMENSIONS

CABINET	INSTALL DIMENSION
N	27" (68.6CM) MINIMUM
P	MIN 25 5/8" (65.1CM) RECOMMENDED MAX 26 1/8" (66.4CM)
R	MIN. 27" (68.6CM)

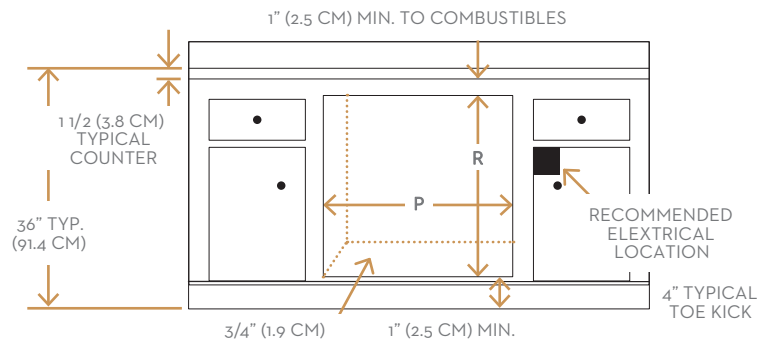
WALL CABINET



HANDLE DIMENSIONS



UNDERCOUNTER



All tolerances: +/- 1/16 (+/-1.6MM) unless otherwise stated.