



Installation Instructions

Renaissance® Downdraft Vent

Models ERV3015, ERV36-ER, ERV3615, ERV48,
ERV48-ER, PRV30, PRV36 and PRV46

Includes installation instructions for cabinet blower (Dacor model CABP3) which is an option for models ERV3015 and ERV3615.

Use these downdraft vents only with approved Dacor® appliances. See the installation instructions for the particular appliance model being installed to determine suitability.

Table of Contents

Important Safety Instructions	1	Installation Specifications	6
Important Information About Safety Instructions	1	Planning the Installation	6
Safety Symbols and Labels	1	Planning the Duct Work	8
General Safety Precautions	2	Installation Instructions	12
Product Specifications	2	Installation Preparation	12
Electrical Specifications	2	Installing the Downdraft Vent in the Cutout	13
Product Dimensions - ERV3015 and ERV3615	3	Verifying Proper Operation	16
Product Dimensions - ERV48 and PRV Series	4	Installation Checklist	16
Product Dimensions - ERV36-ER and ERV48-ER	5	Wiring Diagram - All Models	17
		CABP3 Cabinet Blower Ratings	17

Before You Begin...

Important:

- **Installer:** In the interest of safety and to minimize problems, read these installation instructions completely and carefully before you begin the installation process. Leave these installation instructions with the customer.
- **Customer:** Keep these installation instructions for future reference and the local electrical inspector's use.

Customer Service Information

If You Need Help...

If you have questions or problems with installation, contact your Dacor® dealer or the Dacor Customer Service Team. For repairs to Dacor appliances under warranty call the Dacor Distinctive Service line. Whenever you call, have the model and serial number of the appliance ready. The model and serial number are printed on the product data label on the front of the unit. The product data label also specifies the power supply requirements.

Dacor Customer Service

Phone: ((800) 793-0093 ex. 2813 (U.S.A. and Canada)
Monday - Friday 6:00 A.M. to 5:00 P.M. Pacific Time

Web site: www.dacor.com

Dacor Distinctive Service (for repairs under warranty only)

Phone: 793-0093 ex. 2822 (U.S.A. and Canada)
Monday - Friday 6:00 A.M. to 5:00 P.M. Pacific Time

Model Identification

ERV3015	=	30-inch wide downdraft vent with ERV style top cap. For use with approved Dacor cooktops and ranges.
ERV3615	=	36-inch wide downdraft vent with ERV style top cap. For use with approved Dacor cooktops and ranges.
ERV36-ER	=	36-inch wide downdraft vent with ERV style top cap. For use with approved Dacor ranges.
ERV48	=	wide downdraft vent with ERV style top cap. For use with approved Dacor cooktops and ranges.
ERV48-ER	=	48-inch wide downdraft vent with ERV style top cap. For use with approved Dacor ranges.
PRV30	=	wide downdraft vent with PRV style top cap. For use with approved Dacor cooktops and ranges.
PRV36	=	36-inch wide downdraft vent, PRV style top cap. For use with approved Dacor cooktops and ranges.
PRV46	=	46-inch wide downdraft vent, PRV style top cap. For use with approved Dacor cooktops.

**All specifications subject to change without notice.
Dacor assumes no liability for changes to specifications.**

Important Safety Instructions

Important Information About Safety Instructions

- The **Important Safety Instructions** and warnings in these instructions are not meant to cover all possible problems and conditions that can occur. Use common sense and caution when installing, maintaining or operating this or any other appliance.
- Always contact the Dacor Customer Service Team about problems and conditions that you don't understand. See **Customer Service Information**.

Safety Symbols and Labels

DANGER

Immediate hazards that **WILL** result in severe personal injury or death.

WARNING

Hazards or unsafe practices that **COULD** result in severe personal injury or death.

CAUTION

Hazards or unsafe practices that **COULD** result in minor personal injury or property damage.

DANGER

IMPORTANT: Do not store or use combustible, flammable or explosive vapors and liquids (such as gasoline) inside or in the vicinity of this or any other appliance. Also keep items that could explode, such as aerosol cans, away from the range or cooktop. Do not store flammable or explosive materials in adjacent cabinets or areas.

WARNING

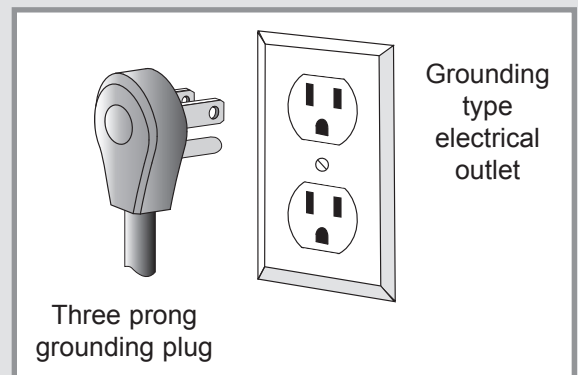
WARNING – TO REDUCE THE RISK OF FIRE, ELECTRIC SHOCK, OR INJURY TO PERSONS, OBSERVE THE FOLLOWING:

- a) Installation work and electrical wiring must be done by qualified person(s) in accordance with all applicable codes and standards, including fire-rated construction.
- b) Sufficient air is needed for proper combustion and exhausting of gases through the flue(chimney) of fuel burning equipment to prevent back drafting. Follow the heating equipment manufacturer's guideline and safety standards such as those published by the National Fire Protection Association (NFPA), and the American Society for Heating, Refrigeration and Air Conditioning Engineers (ASHRAE), and the local code authorities.
- c) When cutting or drilling into wall or ceiling, do not damage electrical wiring and other hidden utilities.
- d) Ducted fans must always be vented to the outdoors.

WARNING

This appliance is equipped with a three prong grounding plug for your protection against possible electric shock hazards. It must be plugged into a dedicated, grounded electrical outlet. Where a standard two prong electrical outlet is encountered, it is the personal responsibility and obligation of the customer to have it replaced with a dedicated, properly grounded three prong electrical outlet. **Do not under any circumstances:**

- ♦ Cut or remove the third (ground) prong from the power cord.
- ♦ Use an adapter plug.
- ♦ Use an extension cord.
- ♦ Use a power cord that is frayed or damaged.
- ♦ Use of a ground fault interrupter (GFI) is not recommended.



READ AND SAVE THESE INSTRUCTIONS

Important Safety Instructions

General Safety Precautions

To reduce the risk of fire, electric shock, serious injury or death when using your appliance, follow basic safety precautions, including the following:

WARNING

- Do not install or operate a damaged appliance. If you receive a damaged appliance, contact your dealer or builder.
- Observe all governing codes and ordinances during planning and installation. Contact your local building department for further information.
- The electric outlet for the downdraft vent should be installed only by a licensed electrician
- For general ventilating use only. Do not use to exhaust hazardous or explosive materials and vapors.
- Use this downdraft vent only for its intended purpose as outlined in the use and care manual. This appliance is not intended for commercial use.
- The customer should not install, repair or replace any part of this unit unless specifically recommended in the literature accompanying it. A qualified service technician should perform all other service. Contact the Dacor Customer Service Team for examination, repair or adjustment.
- Keep all packaging materials away from children. Plastic bags can cause suffocation.
- For proper operation, this unit must be installed with a cabinet, in-line or remote blower. Use only one of the models specified. Only one blower shall be installed.
- Before installing or servicing the downdraft vent, disconnect the power plug from the electrical outlet.

WARNING

- The installer must show the customer the location of the electrical outlet so that the customer knows where and how to disconnect power.
- Install or locate this appliance only in accordance with these installation instructions, the Dacor range/cooktop installation instructions and the blower installation instructions. Improper installation, adjustment, alteration, service or maintenance can cause serious personal injury or property damage.
- Read the use and care manual completely before operating this appliance.
- Do not tamper with the controls.
- Never allow the filters or vent openings to become blocked or clogged. Do not allow foreign objects, such as cigarettes or napkins, to be sucked into the vent holes.
- Clean the filters and all grease-laden surfaces often to prevent grease fires and maintain performance. Clean this appliance only as specified in the use and care manual.
- Do not leave children or pets alone or unattended in the area around the range or cooktop when it is in use. Never allow children to sit or stand on an appliance. Do not let children play with a range, cooktop or the downdraft vent. Do not store items of interest to children above or around the appliance.

Product Specifications

Electrical Specifications

The downdraft vent is supplied with a 28" (71.1 cm) power cord with a three prong plug. Plug it directly into a three prong electrical outlet meeting the requirements below. Do not use an extension cord.

The correct voltage, frequency and amperage must be supplied as specified below. The circuit must be protected by a properly sized circuit breaker or time-delay fuse.

Electrical Supply Requirements

A three prong electrical outlet connected to a 120 Vac, 60 Hz, 15 Amp. grounded, dedicated, single phase circuit is required.

- The above specifications are for reference only. If they do not agree with those listed on the product data label, use the ratings on the label.

- The customer must supply 3 conductor wiring/conduit with minimum current carrying capacity of 8 Amps. to supply power to the blower from the downdraft vent. See **Installation Specifications** for further details.
- It is the owner's responsibility to ensure that the electrical outlet is installed by a licensed electrician. The electrical installation must comply with the latest revision of the National Electric Code ANSI/NFPA 70* (latest revision) and local codes and ordinances.

*A copy of this standard may be obtained from:

National Fire Protection Association
1 Batterymarch Park
Quincy, Massachusetts 02269-9101

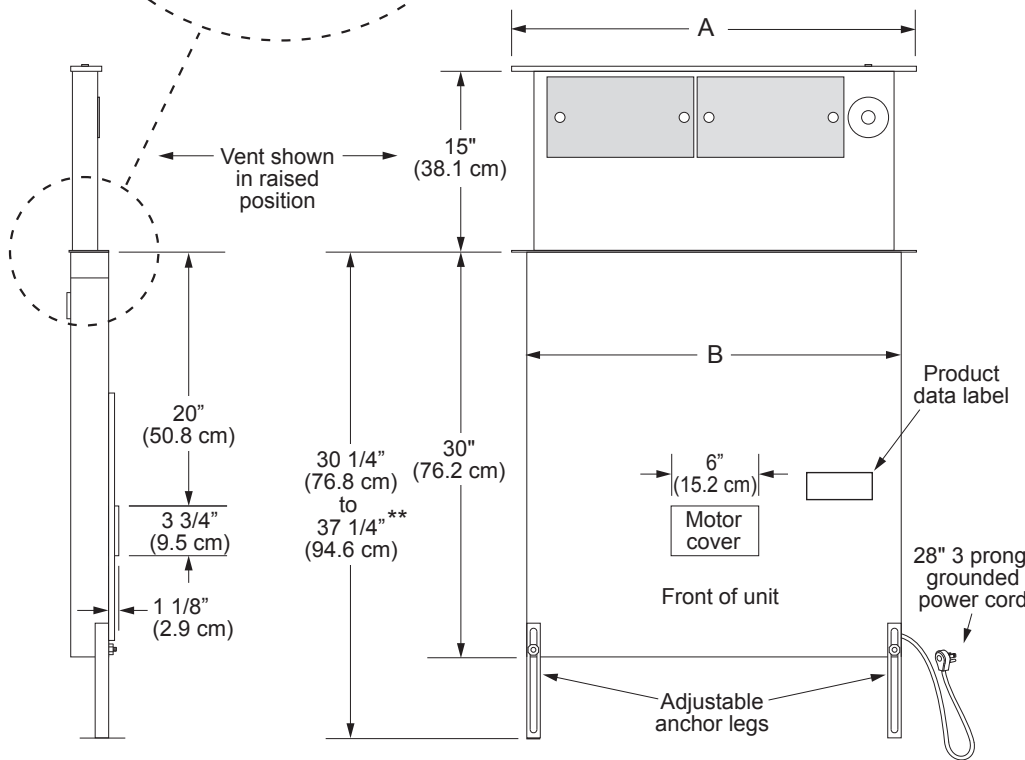
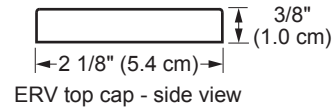
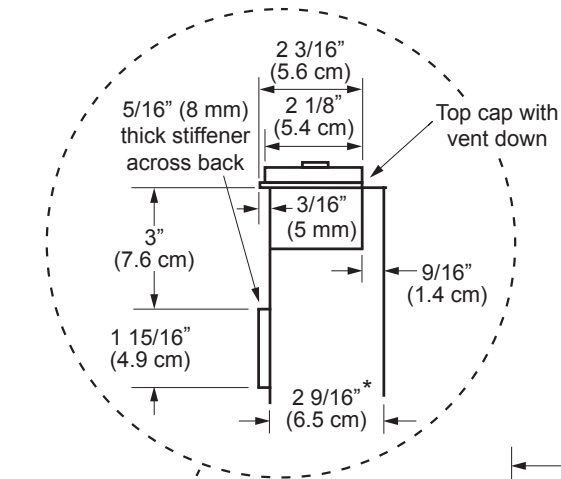
- Locate the electrical outlet in an accessible location, so that the power plug can be disconnected for service without removing the appliances from the cabinet.

Product Specifications

Product Dimensions - ERV3015 and ERV3615

Tolerances: $\pm 1/16"$ (± 1.6 mm) unless otherwise stated

Model Number	A - Top Cap Width	B - Chassis Width
ERV3015	30" (76.2 cm)	27 3/8" (69.5 cm)
ERV3615	36" (91.4 cm)	33 3/8" (84.8 cm)



See pages 9 and 10 for exhaust locations and dimensions.

* Total chassis depth with optional CABP3 blower installed is 10 3/8" (26.3 cm).

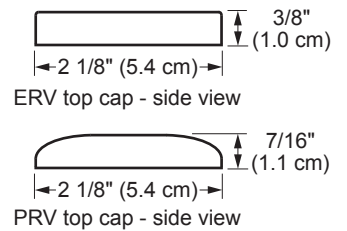
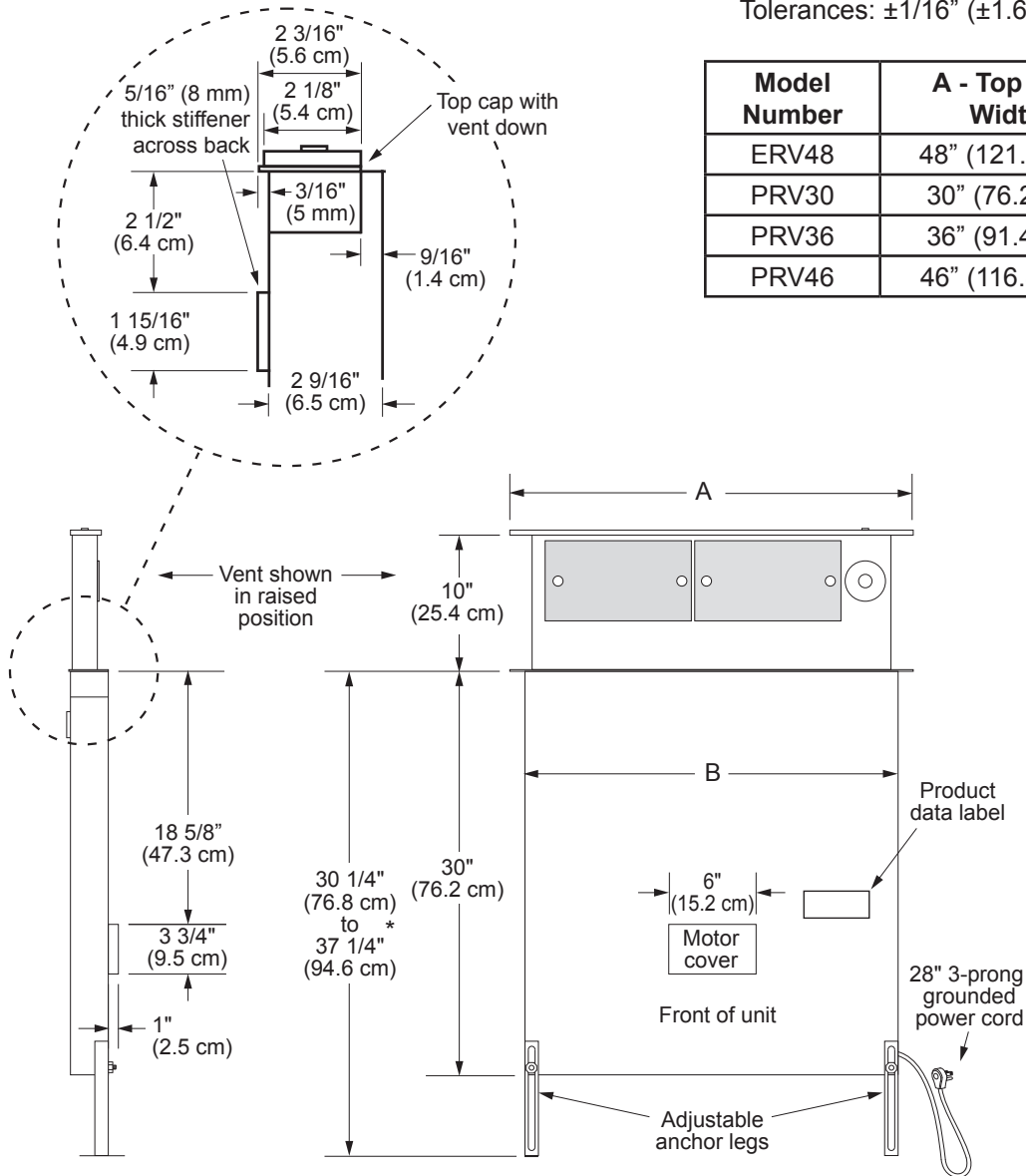
** Maximum height of downdraft vent must not exceed maximum specified counter height for cooking appliance. See installation instructions for cooking appliance.

Product Specifications

Product Dimensions - ERV48 and PRV Series

Tolerances: $\pm 1/16"$ (± 1.6 mm) unless otherwise stated

Model Number	A - Top Cap Width	B - Chassis Width
ERV48	48" (121.9 cm)	43 3/8" (110.2 cm)
PRV30	30" (76.2 cm)	27 3/8" (69.5 cm)
PRV36	36" (91.4 cm)	33 3/8" (84.8 cm)
PRV46	46" (116.8 cm)	43 3/8" (110.2 cm)

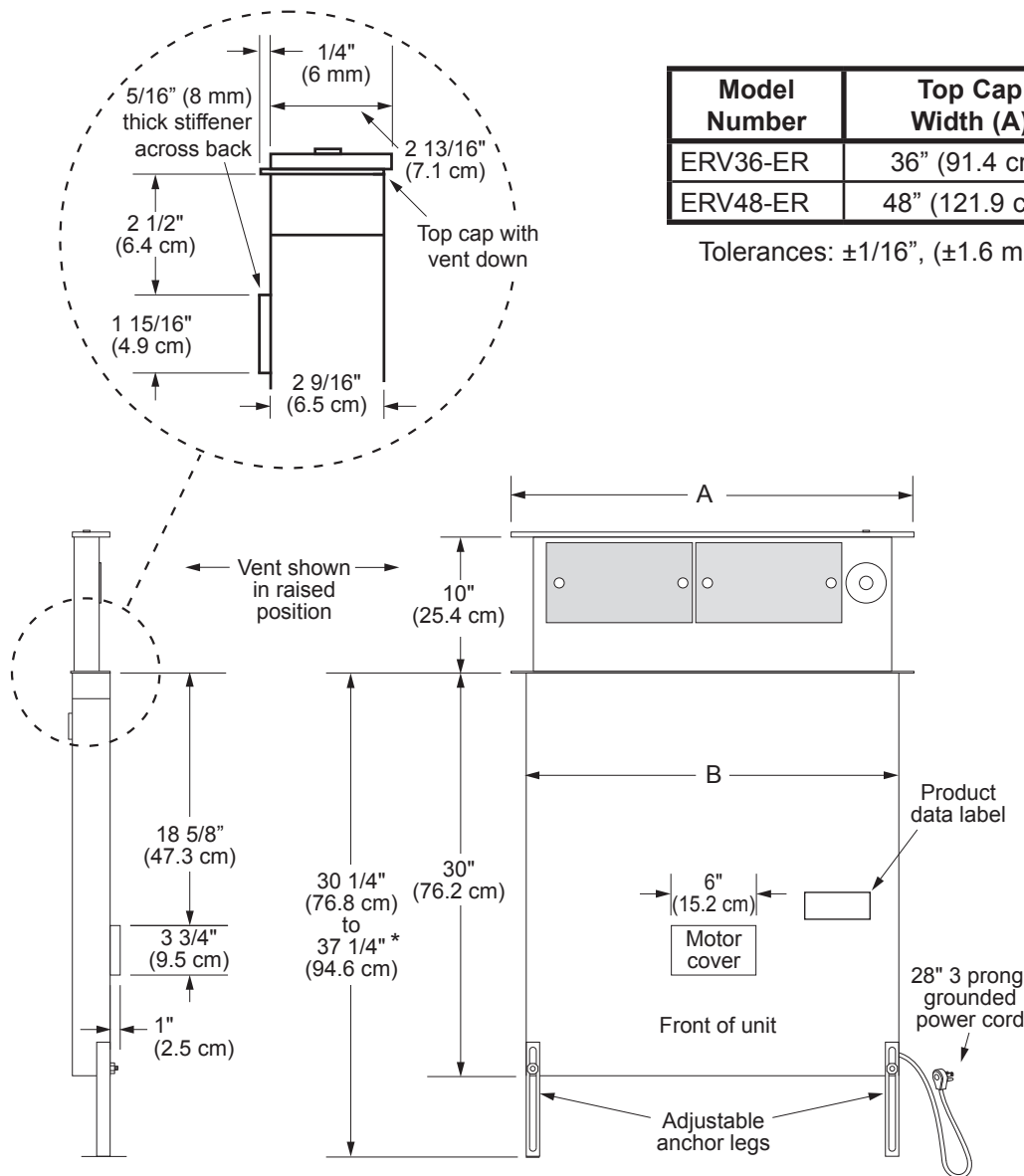


See page 9 for exhaust locations and dimensions.

* Maximum height of downdraft vent must not exceed maximum specified counter height for cooking appliance. See installation instructions for cooking appliance.

Product Specifications

Product Dimensions - ERV36-ER and ERV48-ER



Model Number	Top Cap Width (A)	Chassis Width (B)
ERV36-ER	36" (91.4 cm)	33 3/8" (84.8 cm)
ERV48-ER	48" (121.9 cm)	43 3/8" (110.2 cm)

Tolerances: $\pm 1/16"$, (± 1.6 mm) unless otherwise stated

See page 9 for exhaust locations and dimensions

* Maximum height of downdraft vent must not exceed maximum specified counter height for cooking appliance. See installation instructions for cooking appliance.

Installation Specifications

Planning the Installation

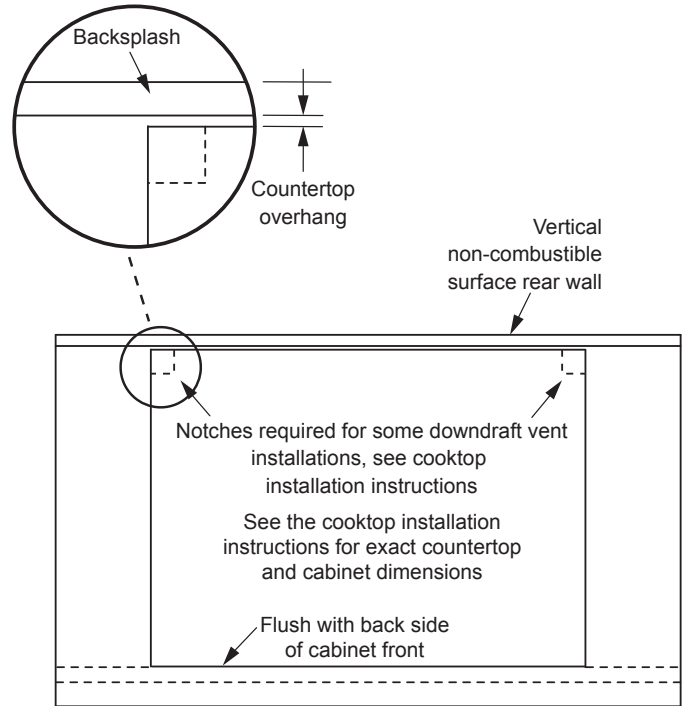
General System Layout

The vent system consists of the downdraft vent itself and a single Dacor approved cabinet blower (models ERV3015 and ERV3615), remote blower or in-line blower (see facing page for examples).

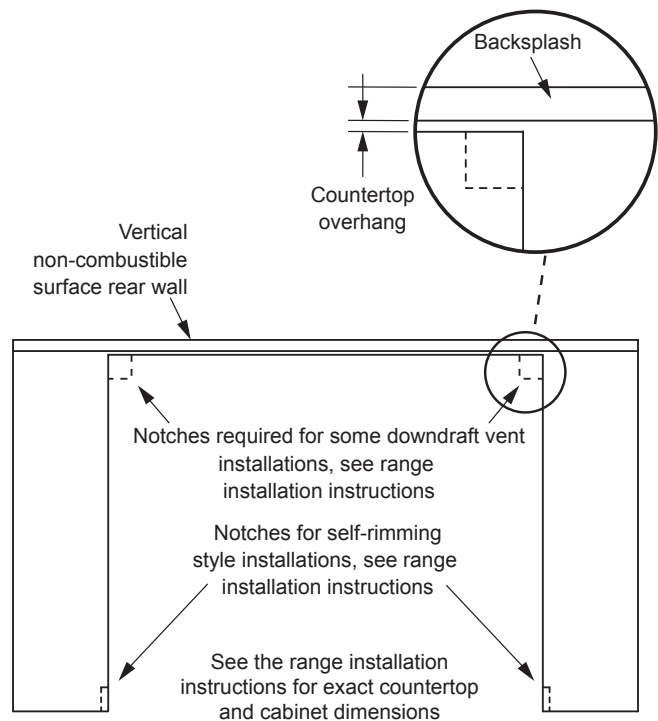
WARNING

- Failure to install an approved blower or proper duct work will result in a back draft and/or the insufficient venting of smoke and fumes.
- To reduce the risk of personal injury caused by reaching over a hot appliance, cabinet storage space located directly above the range/cooktop should be avoided.
- Follow the instructions and diagrams for minimum safe clearances and installation location in these instructions, the appliance installation instructions and the blower installation instructions. Failure to do so may result in a fire or safety hazard.

- Plan the installation so that all minimum dimensions are met or exceeded. All contact surfaces between the downdraft vent and any cabinets or walls must be solid and at right angles.
- The downdraft vent is equipped with adjustable anchor legs to accommodate various cabinet heights.
- Install the downdraft vent and range/cooktop so that they can be removed if service is required.
- When installing the downdraft vent with a cooktop, access from the front of the cabinet to the chassis and the electrical/gas supplies of both appliances must be provided for inspection and service. Any drawers or shelves must be easy to remove for access to the cooktop, downdraft vent and utilities.
- There are 7/8" access holes in the bottom and side of the downdraft vent for connecting the blower wiring and strain relief. Wire the blower to turn on when the downdraft vent is turned on. When installing a remote or in-line blower, run the blower wiring/conduit parallel to the duct work, connecting it to the downdraft vent on one end and the blower on the other.
- Allow room for the exhaust duct coming out of the unit. See **Planning the Duct Work** for further details.
- The maximum allowable duct run must be taken into consideration when determining the layout. See **Planning the Duct Work** for further details.
- Refer to the range/cooktop installation instructions for the minimum cutout dimensions specific to the particular downdraft vent model being installed.

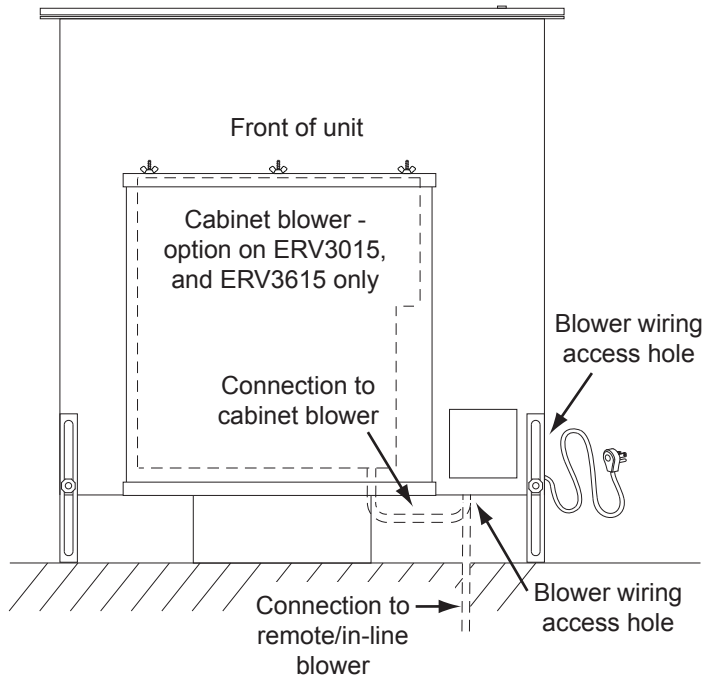


Cooktop Cabinet/Countertop Cutout - Top View

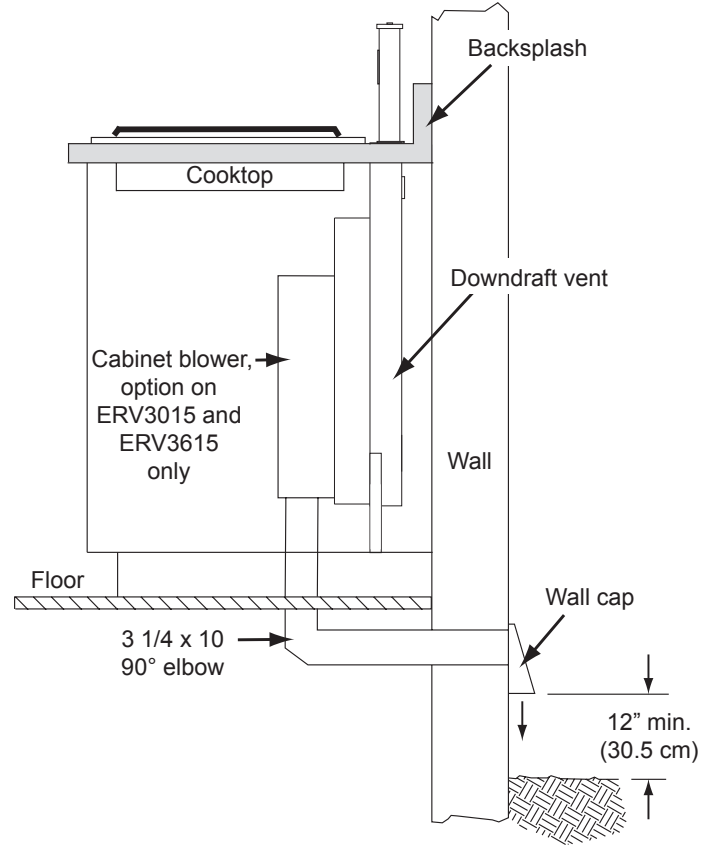


Range Cabinet/Countertop Cutout - Top View

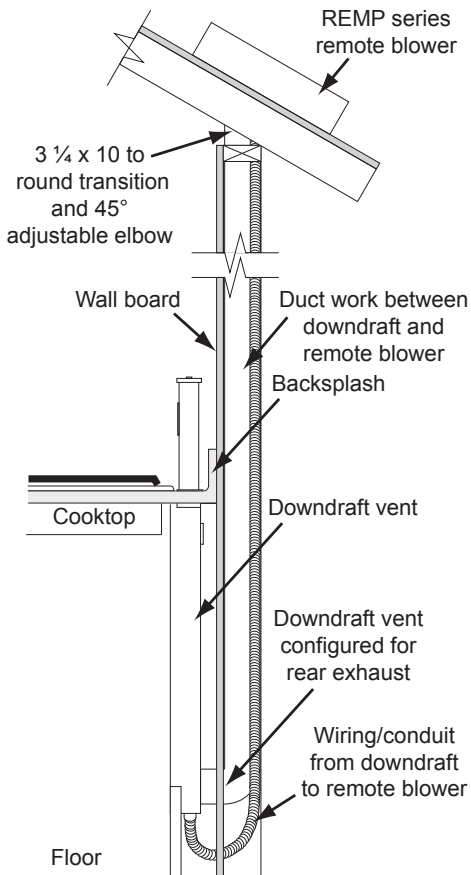
Installation Specifications



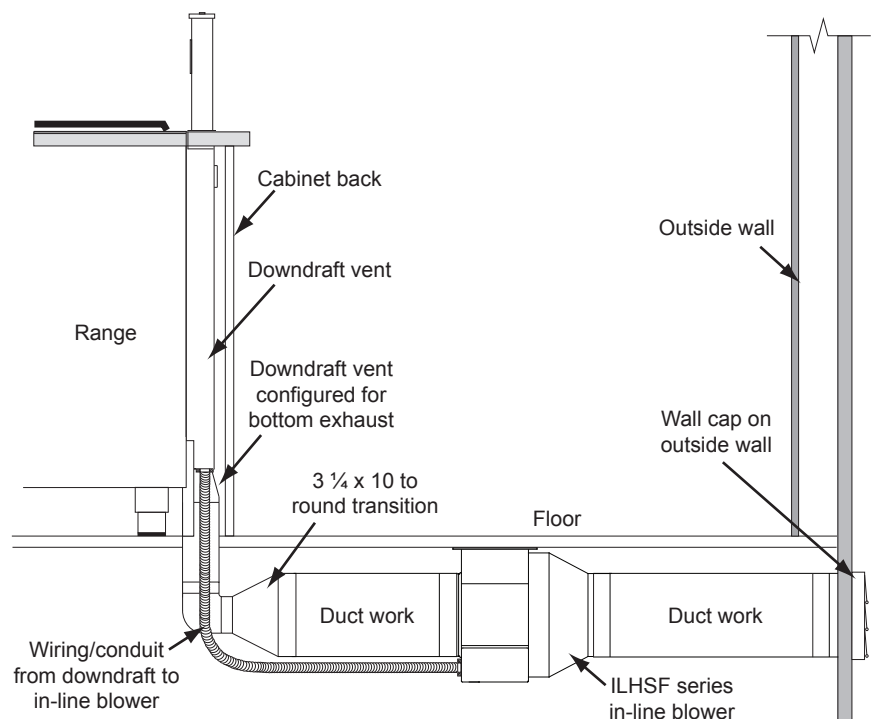
Electrical Layout



Example of Layout with Cabinet Blower Configuration, Exhaust Through Wall



Example of Layout with Cooktop and Rear Exhaust



Example of Layout with Range and Bottom Exhaust

Installation Specifications

Planning the Duct Work

WARNING

- To reduce the risk of fire and to properly exhaust air, be sure to duct air outside the house or building. Do not vent exhaust air into spaces within walls or ceilings or into attics, crawl spaces or garages.
- TO REDUCE THE RISK OF FIRE, USE ONLY METAL DUCT WORK.
- DO NOT install more than one blower to increase the length of the duct run. Even small differences between blower air flow rates can greatly reduce the air draw by the downdraft vent.

Local building codes may require the use of makeup air systems with ventilation systems that move air greater than the specified movement rate (CFM). The specified rate varies based on locale. Consult a qualified HVAC specialist when designing the system for the requirements in your area and to assure optimal performance.

You must install one of the Dacor blower models listed below for the downdraft vent to operate properly. See the blower installation instructions for directions. For model CABP3, see the instructions later in this manual.

APPROVED DACOR BLOWERS FOR USE WITH MODEL ERV-PRV SERIES DOWNDRAFT VENTS		
Dacor Blower Model Number	Rating	Compatible with Vent Models
CABP3 ¹	600 CFM ²	ERV3015 ³ ERV3615 ³
ILHSF8	600 CFM ⁴	ALL
ILHSF10	1100 CFM ⁴	ALL
REMP3	600 CFM ⁴	ALL
REMP16	1000 CFM ⁴	ALL

¹ **IMPORTANT:** Due to a lack of clearance, do not use a CABP3 blower if a range or wall oven is to be installed in front of the downdraft vent.

² Nominal rating at zero inches static pressure, see the CABP3 blower ratings on page 17 for actual rating.

³ Revision B and later units only.

⁴ Nominal rating at zero inches static pressure. See blower installation instructions for actual ratings.

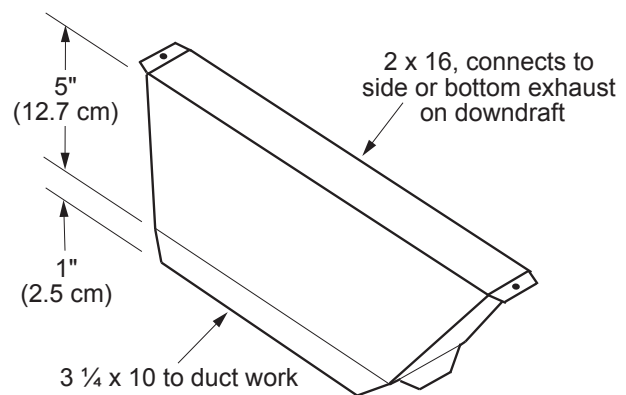
For installations with CABP3 blowers:

- Installation with a CABP3 blower requires Dacor adapter kit # AERVCAB.
- The blower assembly is mounted to the front of the downdraft vent with the exhaust pointing in the desired direction. See page 10.
- The CABP3 blower output connects directly to 3 ¼ x 10 rectangular duct.

Installations with ILHSF and REMP series blowers:

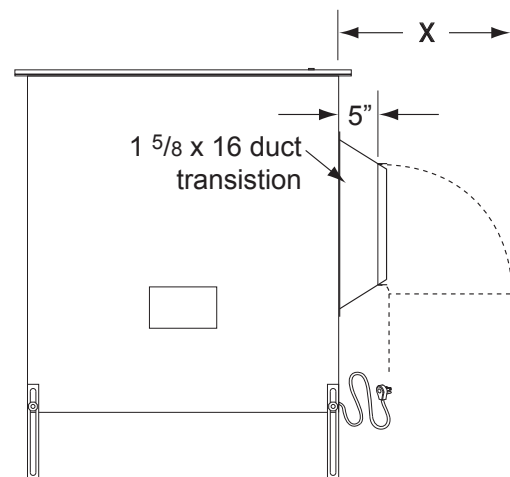
With ILHSF and REMP blowers, the downdraft vent can be configured to exhaust through the back, the bottom or either side by removing the appropriate exhaust knock-out shown on the facing page.

- When connecting the duct work to the back of the unit, the customer must supply a 3 ¼ x 10 rectangular transition to make the connection.
- For side and bottom exhaust connections, use the supplied transition to connect the duct work to the unit. It transitions between the 1 5/8 x 16 exhaust outlet on the unit and a 3 ¼ x 10 rectangular duct connection. On bottom exhaust installations cut a hole in the floor to allow the transition and/or duct work to pass through the floor (see page 13).

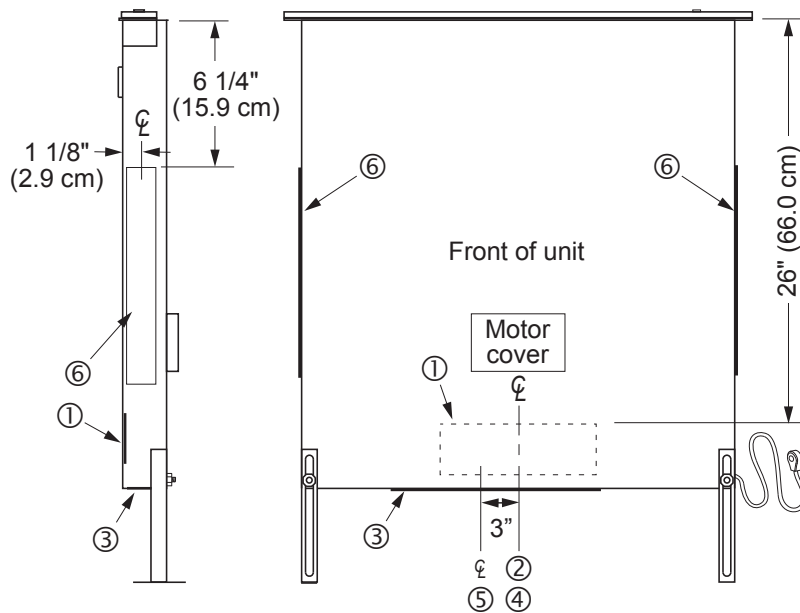


1 5/8 x 16 Duct Transition

- On side exhaust installations, allow five inches of space on the side for the 2 x 16 to 3 ¼ x 10 transition plus additional space for the duct attached to it (X).



Installation Specifications



- ① Rear Exhaust Knock Out (3 1/4 x 10)
- ② Vertical center line of rear exhaust knock out lines up with vertical center line of chassis
- ③ Bottom Exhaust Knock Out (1 5/8 x 16)
- ④ On 46" and 48" wide models, the vertical center line of bottom knock-out lines up with vertical center line of chassis
- ⑤ On 30" and 36" wide models, the vertical center line of bottom knock-out is offset 3"
- ⑥ Side Exhaust Knock Outs (1 5/8 x 16)

Exhaust Knock-out Locations for Use with REMP and ILHSF Series Blowers

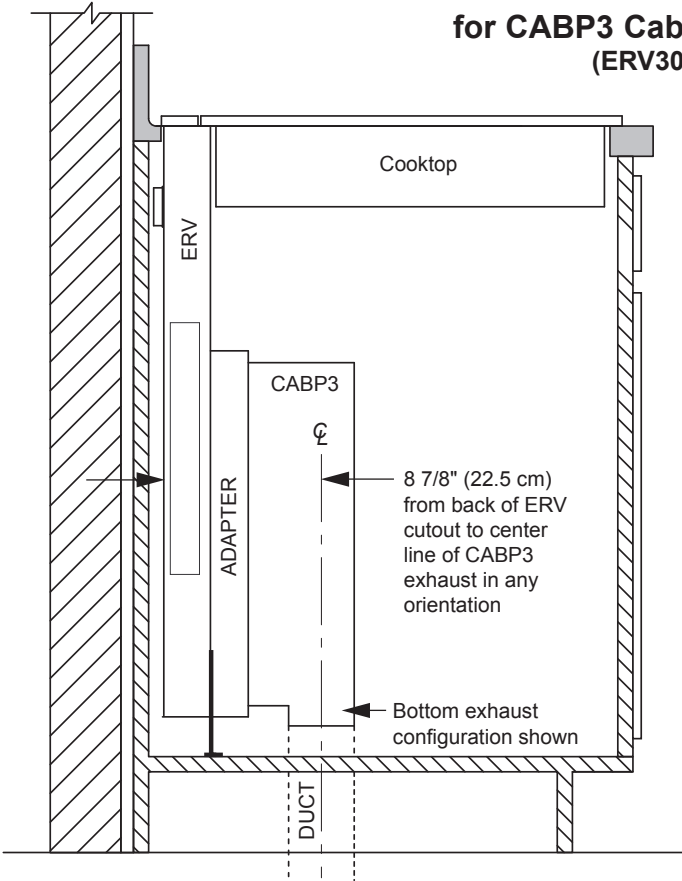
Duct installation requirements for all blowers:

- All duct work materials (including screws and duct tape) must be purchased separately by the customer.
- When planning new duct work, always look for the shortest, most direct route to the outside. See page 7 for examples.
- You can increase the duct size over the duct run if desired. To prevent a back draft, never decrease the duct size over the run.
- Do not rely on duct tape alone to seal duct joints. Fasten all connections with sheet metal screws and tape all joints with certified silver tape or duct tape.
- Use sheet metal screws as required to support the duct weight.
- To prevent back-drafts, a damper at the duct outlet may also be required.
- Make sure duct work does not interfere with floor joists or wall studs.
- With concrete slab construction, "box-in" the duct work and blower wiring to prevent collapsing or other damage when the wet concrete is poured.
- Cross-drafts or air currents from adjacent open windows or doors, heating/air conditioning outlets, ceiling fans and recessed ceiling lights reduce vent efficiency.
- System exhaust location (see page 8) must take into account accumulated snowfall, where applicable.

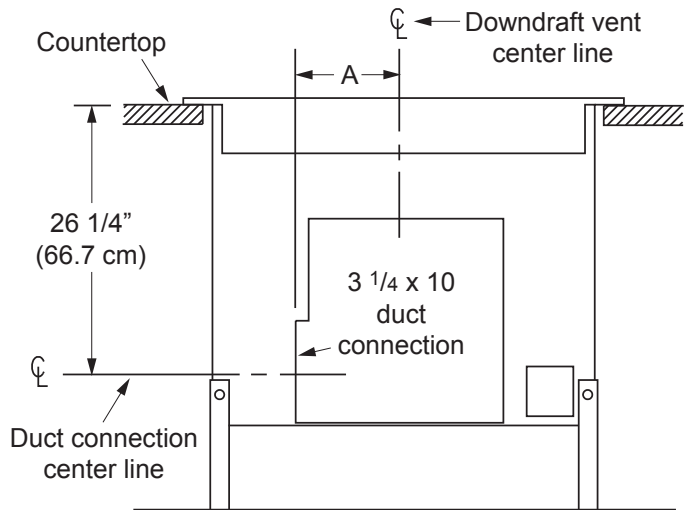
Installation Specifications

Exhaust Locations and Dimensions for CABP3 Cabinet Blower Installations (ERV3015, ERV3615 only)

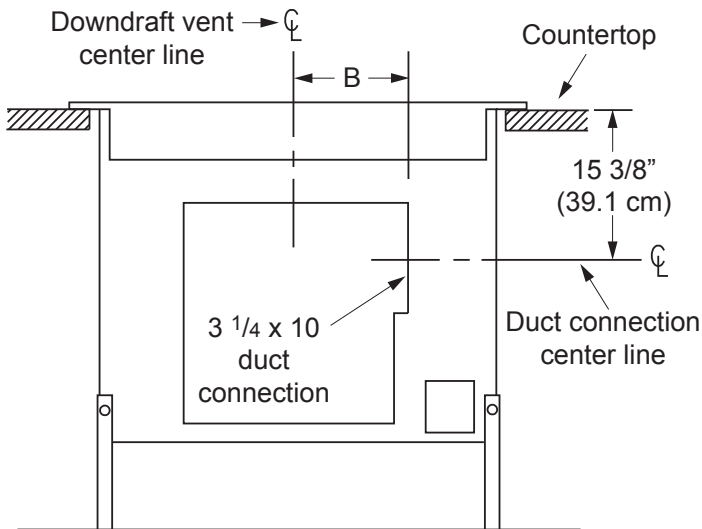
Model	A	B	C
ERV3015	12 1/8" (30.7 cm)	5 5/8" (14.4 cm)	1 3/4" (4.4 cm)
ERV3615	9 3/4" (24.8 cm)	8" (20.3 cm)	4 1/4" (10.8 cm)



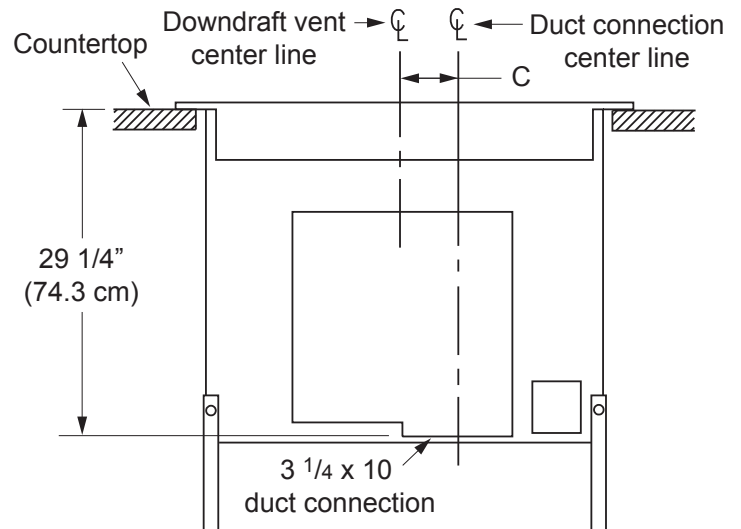
**Exhaust Locations and Side Dimensions
for CABP3 Cabinet blower**



**Front Exhaust Dimensions
CABP3 Blower - Left Exhaust**



**Front Exhaust Dimensions
CABP3 Blower - Right Exhaust**



**Front Exhaust Dimensions
CABP3 Blower - Bottom Exhaust**

Installation Specifications

Calculating the Maximum Duct Run Length

- For optimal performance, consult a qualified HVAC specialist when designing the duct system.
- Do not use duct work that is smaller in cross-sectional area than the required duct sizes in the tables below.
- Keep the duct run as short as possible for best performance and never exceed the maximums stated in the table below right.
- The maximum duct length for the downdraft vent system depends on the blower model used and the number of elbows and transitions. The **Equivalent Number of Feet** for each elbow and transition (see table below) must be subtracted from the maximum straight length to compensate for wind resistance. To determine the maximum allowable length of the duct work, subtract all of the equivalent lengths of the elbows and transitions listed below from the **Blower Maximum Duct Straight Length** (see table right).

For example, for a downdraft vent system using 3 ¼ x 10 rectangular duct, two (2) 3 ¼ x 10 90° elbows, a 3 ¼ x 10 rectangular to 10" round transition, and a REMP16 remote blower:

- From the **Blower Maximum Duct Straight Length** table below, the maximum length without transitions and elbows is 60 feet.
- The equivalent length of each 90° elbow is 15 feet.
- The equivalent length of 45° elbow is 2 feet.
- The equivalent length of the transition is 4 feet.
- The total equivalent length of the above components is: 15 feet + 15 feet + 4 feet + 2 feet = 36 feet.
- The maximum amount of straight duct that can be used with a REMP16 and the above components is: 60 feet - 34 feet = 24 feet.

Equivalent Number of Feet (Nominal) - Duct Elbows and Transitions			
45° elbow 8 inch	3 feet	3 ¼ x 10 45° elbow	7 feet
45° elbow 10 inch	2 feet	3 ¼ x 10 90° elbow	15 feet
90° elbow 8 inch	7 feet	3 ¼ x 10 90° flat elbow	20 feet
90° elbow 10 inch	5 feet	3 ¼ x 10 to 8" round transition	4 feet
90° 3 ¼ x 10 to 8" round transition	25 feet	3 ¼ x 10 to 10" round transition	4 feet
Roof cap	*	Wall cap**	*

* The equivalent lengths of roof and wall caps vary with model and configuration. For equivalent length, contact the manufacturer or a qualified HVAC specialist.

** Not applicable for REMP series blowers.

Duct Work Design Tips

- Wherever possible, reduce the number of transitions and turns to as few sharp angles as possible. Two staggered 45° angles are better than one 90°. Keep turns as far away from the hood exhaust as possible, with as much space between each bend as possible.
- For best performance, use round duct instead of rectangular when possible, especially when elbows are required.
- If multiple elbows are used, try to keep a minimum of 24" of straight duct between them. Avoid "S" or "back to back" configurations of adjacent elbows.
- Do not use flexible metal duct.

Blower Used	Blower Maximum Duct Straight Length		
	8 Inch Duct	10 Inch Duct	3 ¼ x 10 Duct
CABP3	40 feet (12.2 m)	30 feet (9.2 m)	30 feet (9.2 m)
ILHSF8	50 feet (15.2 m)	40 feet (12.2 m)	40 feet (12.2 m)
ILHSF10	60 feet (18.3 m)	70 feet (21.3 m)	60 feet (18.3 m)
REMP3	50 feet (15.2 m)	40 feet (12.2 m)	40 feet (12.2 m)
REMP16	60 feet (18.3 m)	70 feet (21.3 m)	60 feet (18.3 m)

Installation Instructions

Installation Preparation

Verify Package Contents

1. Unpack the unit and verify that all required parts have been provided. If any item is missing or damaged, please contact your dealer immediately. Do not install a damaged or incomplete appliance. The customer must report cosmetic issues within 30 days of installation.

Parts List

- Product literature
- Anchoring legs (left - PN 36861, right - PN 36862)
- 2 wood screws, #14 x 2 1/2 (PN 83047)
- 3 wire nuts
- 1 5/8 x 16 to 3 1/4 x 10 duct transition (PN 13768)
- 2 sheet metal screws, #10 x 1/2 (PN 83022)
- 2 keps nuts, 1/4-20 (PN 83049)
- 2 flat washers, 1/4-20 (PN 83203)
- Insulation foam (tape)

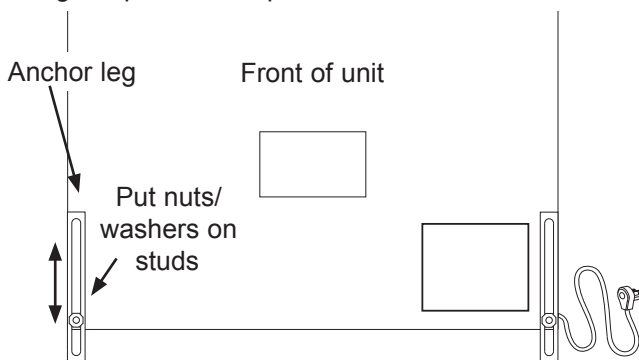
Installation with CABP3 blower requires Dacor adapter kit # AERVCAB. Kit includes adapter, wiring diagram label (PN 106770), 3 wing nuts (PN 83035), 3 flat washers (PN 83008) and 6 lock washers (PN83340).

WARNING

- If the electrical service (electrical outlet) does not meet the **Electrical Specifications** on page 2, do not proceed with the installation. Call a licensed electrician and have an electrical outlet installed that meets the specifications.
- Install the vent only in a vertical orientation. Do not mount the vent on a slant or angle.
- Do not enlarge or modify the exhaust knock-outs or cut an exhaust hole in a location on the chassis other than those shown. Doing so may cause an increase in noise and decrease performance.

NOTE: The downdraft vent installs in the back of the cut-out, separate from the range or cooktop. Install the downdraft vent before installing the range or cooktop.

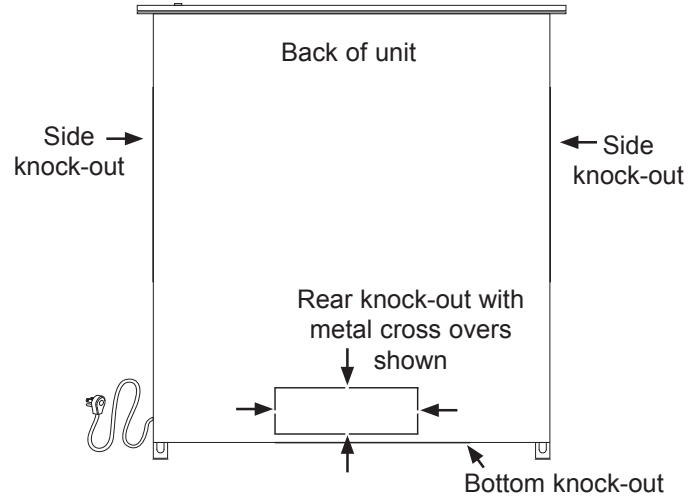
2. Start by loosely attaching the anchoring legs to the studs on the left and right sides of the downdraft vent using the provided Keps nuts and washers.



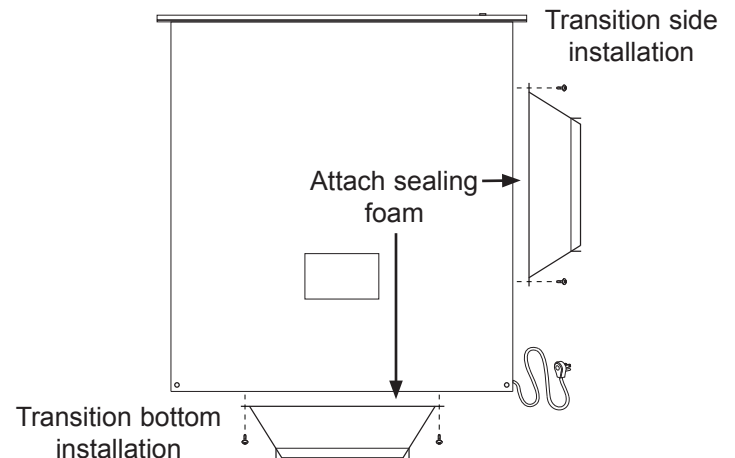
Installation Preparation for Downdraft Vent with ILHSF or REMP Series Blower:

NOTE: For units using the CABP3 cabinet blower, skip to **Installation Preparation for Downdraft Vent with CABP3 Cabinet Blower**, on facing page.

1. Remove the appropriate side, back or bottom exhaust knockout, depending on the desired exhaust configuration, from the downdraft vent chassis by cutting the metal cross overs and removing the insert (see below).



2. Cut and remove the foil material inside the knock-out hole. If you fail to remove the foil, the vent will not work.
 - If the unit will vent through the bottom or side, install the supplied 1 5/8 x 16 to 3 1/4 x 10 transition to the exhaust location. Before installing, peel the protective backing off the foam tape and apply it to the transition flanges. Attach the transition with the provided sheet metal screws (see below).

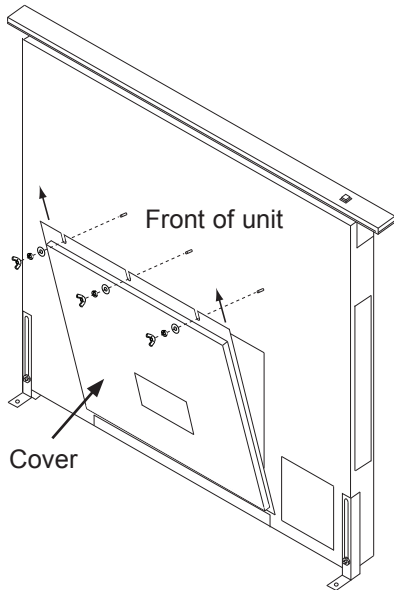


- If the unit will exhaust air from the back, attach a 3 1/4 x 10 duct to the vent hole created by removing the knock-out on the back of the unit.
3. Skip to **Installing the Downdraft Vent in the Cutout** on page 13.

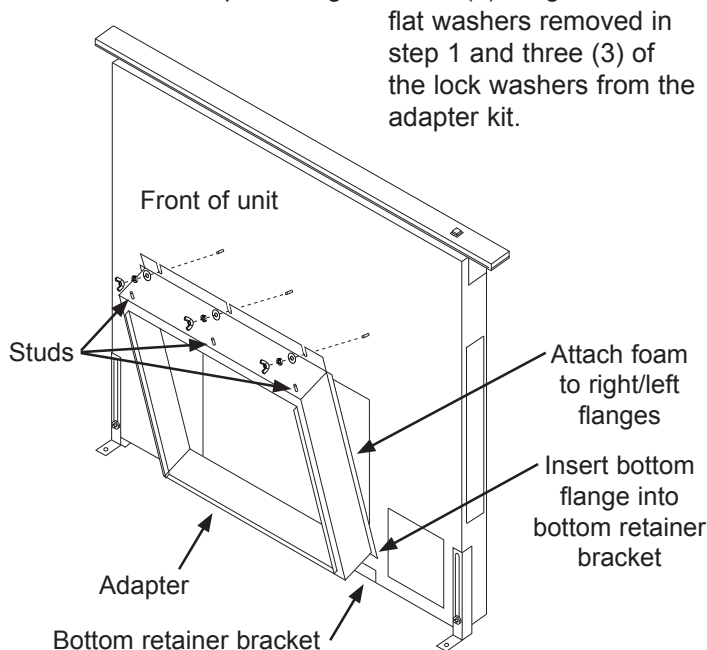
Installation Instructions

Adapter Installation for CABP3 Blower: (optional, ERV3015 and ERV3615 only)

1. Remove the front cover so that the AERV/CAB cabinet blower adapter can be installed. To do so, remove and retain the three (3) wing nuts and three (3) flat washers on the front of the unit. Discard the three (3) lock washers (they will be replaced). Tilt the cover out and pull up to remove it.



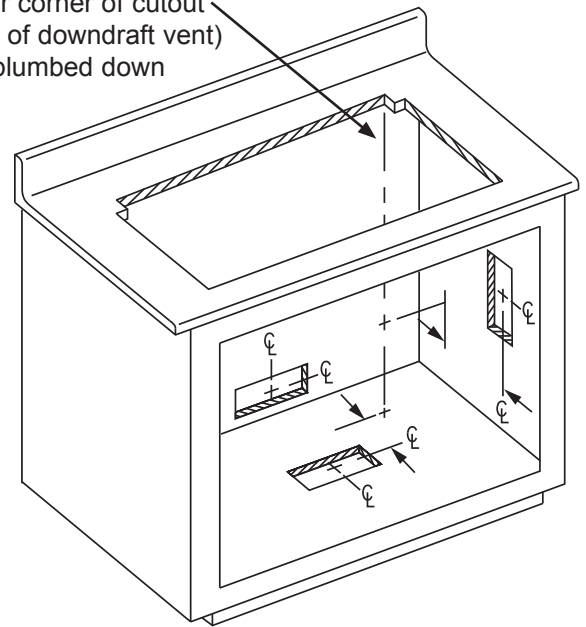
2. Peel the backing off of some of the foam tape included with the adapter. Attach it to the right and left flanges.
3. Hold the adapter in front of the opening on the front of the unit with the adapter's studs on top and all the flanges closest to the downdraft vent chassis.
4. Slide the bottom flange on the adapter into the bottom retainer bracket on the downdraft vent at an angle. Attach the adapter using the three (3) wing nuts and flat washers removed in step 1 and three (3) of the lock washers from the adapter kit.



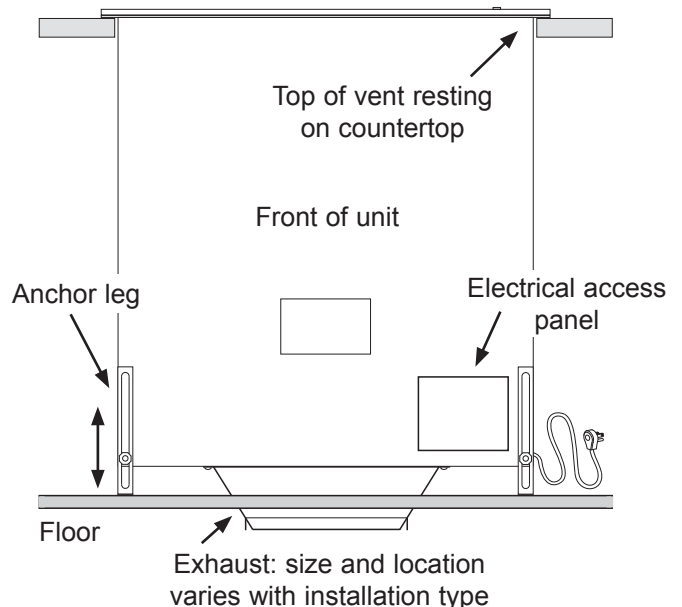
Installing the Downdraft Vent in the Cutout

1. Cut a hole in the cabinet to allow the duct work to pass through to the floor or wall for the planned duct system layout. Use the dimensions on pages 9 and 10 to determine the hole center line locations. If using the 2" x 16" to 3 1/4" x 10" transition (REMP and ILHSF blower installations), the hole may need to be enlarged slightly.

Rear corner of cutout
(back of downdraft vent)
plumbed down



2. Gently slide the vent into the rear of the countertop cutout with the electrical access panel toward the front.
3. Adjust the anchoring leg height so that the top of the downdraft vent rests on the counter, then tighten the hex nuts. Secure the anchoring legs to the cabinet floor with the provided wood screws.

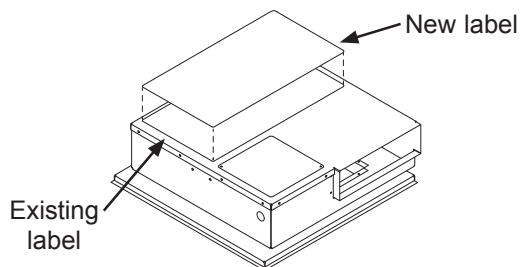


Installation Instructions

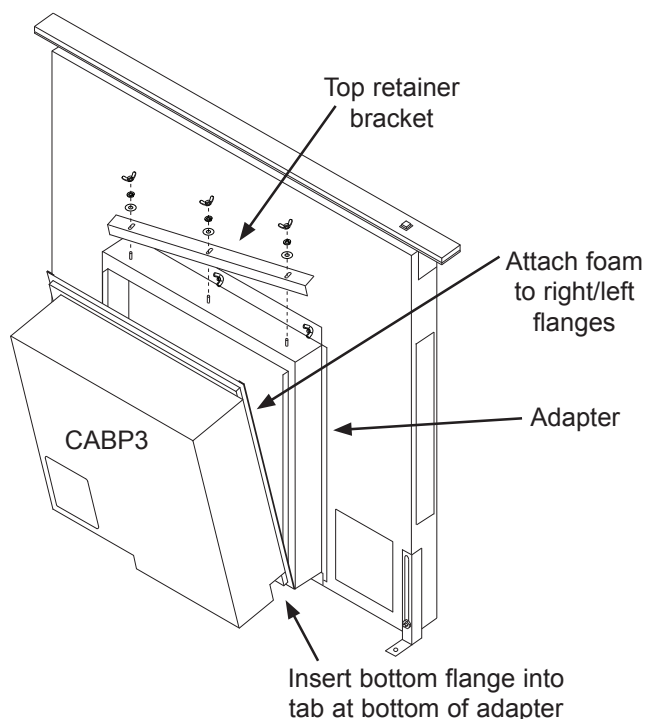
Cabinet Blower Installation:

(optional, ERV3015 and ERV3615 only)

1. Locate the wiring diagram label included with the adapter kit. Peel the protective backing off and place it over the existing label on the CABP3 blower as shown.



2. Locate the foam tape supplied with the downdraft vent. Place the blower on the floor in the orientation it will be mounted on the front of the downdraft vent. Peel the backing off the included foam tape and attach it to the right and left flanges of the blower base plate.
3. With the exhaust in the desired orientation, slide the bottom flange of the CABP3 blower base plate behind the tab on the bottom of the adapter mounted to the front of the downdraft vent.
4. Cover the opening on the adapter by pushing the blower against it. Make sure that the foam tape creates a good seal on the right and left side of the opening. Center the blower base plate horizontally over the opening on the front of the adapter.
5. Install the adapter top retainer bracket over the blower base plate flange. Secure it in place with the three (3) wing nuts, lock washers and flat washers included with the adapter.



ILHSF or REMP Series Blower Installation

If using a ILHSF or REMP series blower, install it according to the blower installation instructions.

Duct Work Installation

WARNING

Tape all duct joints securely to prevent combustion by-products, smoke or odors from entering the home. Doing so will also improve system efficiency.

Install the duct work according to the **Installation Specifications** section. Use sheet metal screws and duct tape to connect and seal all of the pieces. Support the duct weight as necessary to ensure sealed joints.

Electrical Installation

WARNING

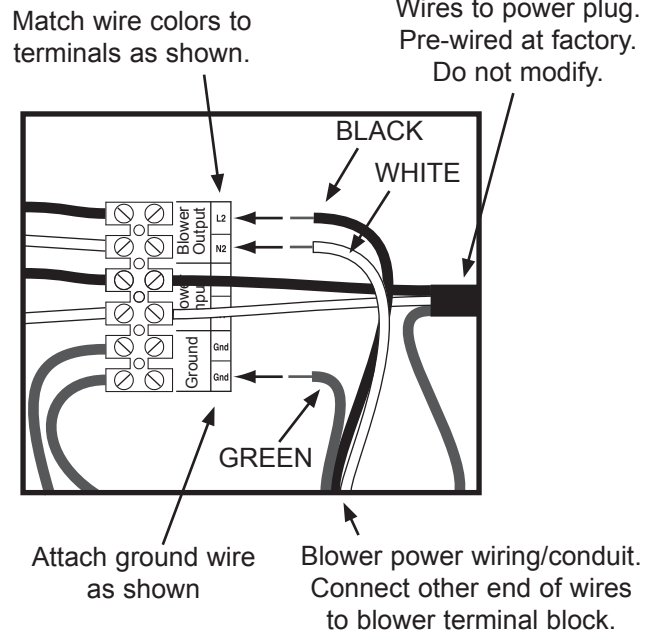
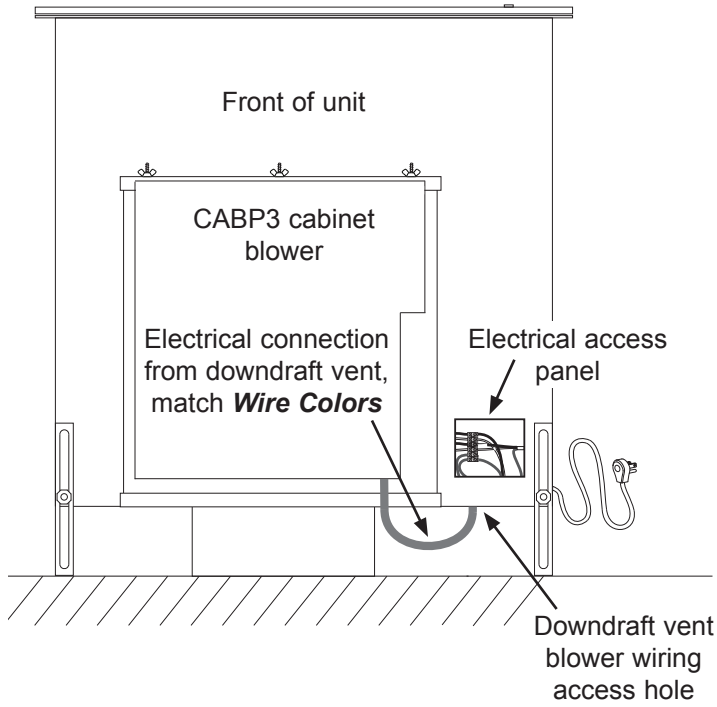
- **ELECTRIC SHOCK HAZARD** - Do not connect the downdraft vent power plug to the electrical outlet until installation is complete.
- Failure to complete electrical connections properly may result in an electric shock hazard or a damaged or non-functional system. Follow the wiring diagrams carefully to ensure a proper installation. Do not change the factory wired terminal connections inside the electrical access panel for the downdraft vent or the blower.
- To avoid an electric shock hazard and to prevent damage route all wiring away from hot surfaces.

1. For ILHSF and REMP blower installations, run the wiring/conduit line used to supply power from the downdraft vent to the blower parallel to the duct work.
2. Remove the cover from the downdraft vent electrical access panel.
3. Connect the wiring/conduit to the blower as shown in the wiring diagrams below and the facing page according to local codes and ordinances. Make sure all terminal connections, including the factory wired connections, are tight. Replace the electrical access panel.

Range/Cooktop Installation

Install the range or cooktop according to its installation instructions.

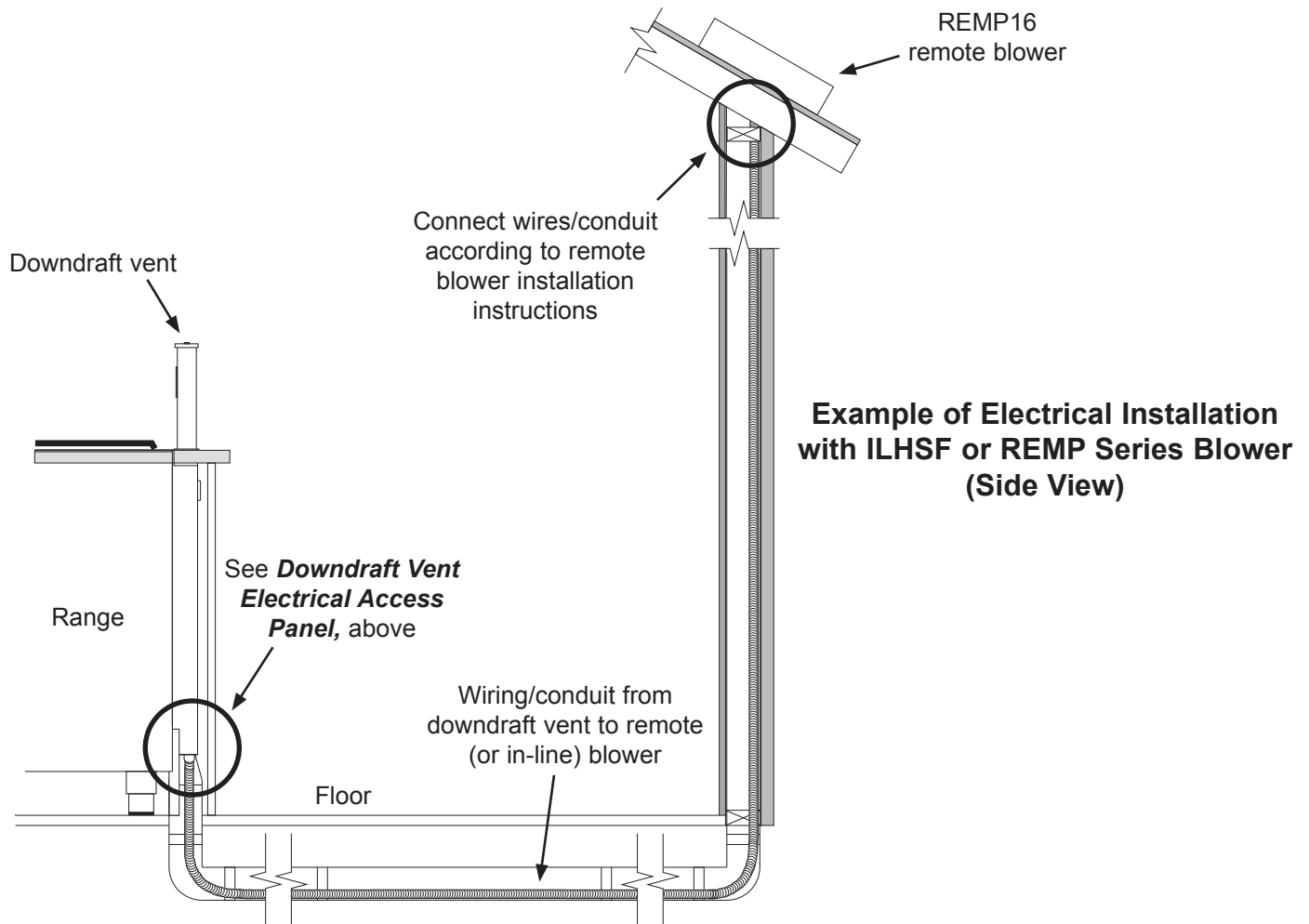
Installation Instructions



Wire Colors : Black = Line (L), White = Neutral (N), Green = Ground (Gnd)

Electrical Installation - CABP3 Cabinet Blower

Downdraft Vent Electrical Access Panel



Installation Instructions

Verifying Proper Operation

WARNING

- Read the downdraft vent use and care manual completely before operation.
- Install all of the front filters prior to operating the downdraft vent. Refer to the use and care manual for filter installation instructions.

CAUTION

To prevent damage to the downdraft vent power cord, route it away from the surfaces of the range or cooktop before connecting it.

1. Make sure the power switch on the top of the downdraft vent is in the up position.
2. Plug the downdraft vent power plug into the electrical outlet.
3. Press the power switch once to raise the vent to its operating position.
4. Once in the up position the vent should begin to draw air. Turn the variable speed control switch in both directions to verify that the system is operating correctly.
5. Press the top cap up/down switch once to lower the vent.
6. Make sure that the top cap on the downdraft vent intake does not catch on the back edge of the cooktop or range when the intake is lowered. If interference occurs, adjust the position of the cooktop or range. Failure to eliminate any interference may result in permanent damage to the vent.

If the downdraft vent is not operational after installation:

- Make sure that power is being supplied to the unit.
- Make sure that power is being supplied to the blower from the downdraft vent.
- If the vent will not raise properly or makes a scraping sound check for obstructions interfering with the raising of the unit.

If the downdraft vent still does not function after performing the above checks, do not attempt to repair it yourself. Contact Dacor Distinctive Service at 793-0093 ex. 2822. Be sure to have all model and serial numbers from the product data labels for the downdraft vent and the blower available when you call.

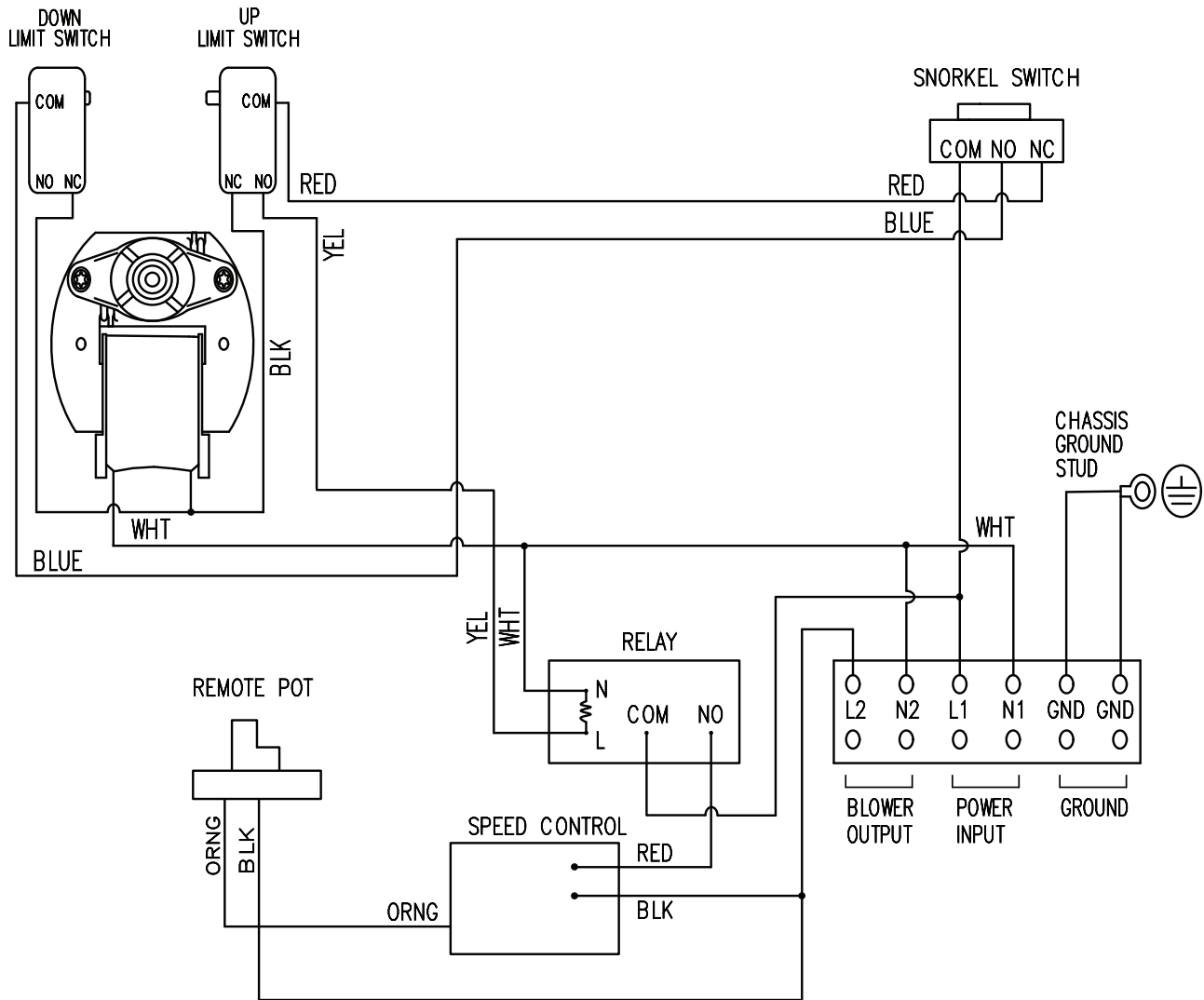
Dacor is not responsible for the cost of correcting problems caused by a faulty installation.

Installation Checklist

- Are the anchor legs extended down to make contact with the floor and tightened into place? Are the anchor legs fastened to the floor? Is the unit level?
- Is the duct work completely installed? Are all joints attached with sheet metal screws and wrapped with duct tape?
- Are both ends of the blower power cable connected (to the downdraft vent and to the blower itself)?
- Are the vent filters installed according to the use and care manual instructions?
- Is the power cord routed away from the hot surfaces of the range or cooktop.
- Is the unit connected to an electrical outlet that meets the electrical specifications in these instructions?
- Has proper operation been verified?
- Has the warranty been activated on-line or the warranty card been filled out completely and mailed?

Technical Data

Wiring Diagram - All Models



CABP3 Cabinet Blower Ratings

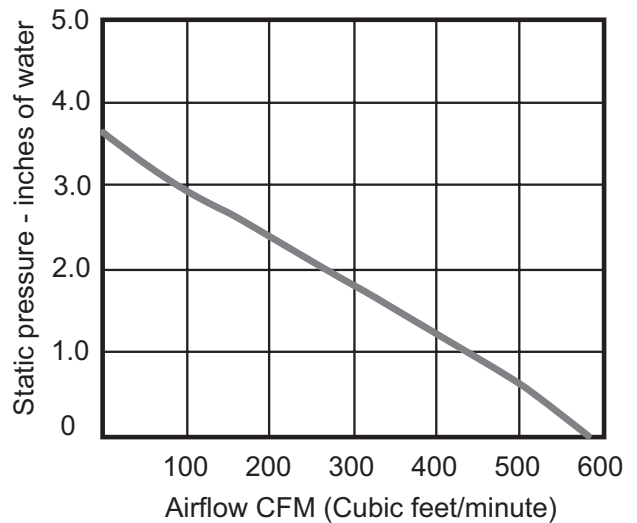
CABP3 Cabinet blower Airflow*	
Nominal	600 CFM
Actual	585.6 CFM

* At zero inches static pressure. Performance varies based on duct system configuration.

Electrical Rating: 4 Amps. @ 120 Vac, 60 Hz.

For ILHSF or REMP series blower ratings, see the blower installation instructions.

CABP3 Blower Performance



dacor
The Life of the Kitchen.®

