

# **Planning Guide (Columns)**

# PLANNING CHECK PROCESS

**1. Product List**

**2. Plan the cutout : Single**

**3. Plan the configuration & cutout : Single / Pair / 3 unit**

- 1) Recommend configuration
- 2) Product dimension
- 3) Door swivel range

**4. Properly site the electrical and water supply outlet**

**5. Accessory package**

- 1) Door panel specification
- 2) Handle style & specification
- 3) Toe kick style
- \* Pair installation kit

**6. Product Spec**

# 1. Product List

	Column Fridge				Wine	Column Freezer			FDR	T
Width	18"	24"	30"	36"	24"	24"	30"	36"	36"	42"
Custom Panel	Black (Graphite) or Silver Stainless									
Door Swing	Left or Right Hand									
Handle	Pro (Silver) or Modern (silver or black)									
Toe Kick plate	Black (Graphite) or Silver Stainless									
Pair Installation	Pair Installation Kit for Column								-	

## COLUMN - Fridge



24-inch  
 DRR24980LAP  
 Door Swing : Left  
 Interior : Metal (STSS)  
 Custom Panel : Graphite



24-inch  
 DRR24980RAP  
 Door Swing : Right  
 Interior : Metal (STSS)  
 Custom Panel : Graphite



24-inch  
 DRR24980LAP  
 Door Swing : Left  
 Interior : Metal (STSS)  
 Custom Panel : Silver



24-inch  
 DRR24980RAP  
 Door Swing : Right  
 Interior : Metal (STSS)  
 Custom Panel : Silver



30-inch  
 DRR30980LAP  
 Door Swing : Left  
 Interior : Metal (STSS)  
 Custom Panel : Graphite



30-inch  
 DRR30980RAP  
 Door Swing : Right  
 Interior : Metal (STSS)  
 Custom Panel : Graphite



30-inch  
 DRR30980LAP  
 Door Swing : Left  
 Interior : Metal (STSS)  
 Custom Panel : Silver



30-inch  
 DRR30980RAP  
 Door Swing : Right  
 Interior : Metal (STSS)  
 Custom Panel : Silver

**COLUMN – Fridge**



30-inch  
 DRR30990LAP  
 Door Swing : Left  
 Interior : Porcelain  
 Custom Panel : Graphite



30-inch  
 DRR30990RAP  
 Door Swing : Right  
 Interior : Porcelain  
 Custom Panel : Graphite



30-inch  
 DRR30990LAP  
 Door Swing : Left  
 Interior : Porcelain  
 Custom Panel : Silver



30-inch  
 DRR30990RAP  
 Door Swing : Right  
 Interior : Porcelain  
 Custom Panel : Silver



36-inch  
 DRR36980LAP  
 Door Swing : Left  
 Interior : Metal (STSS)  
 Custom Panel : Graphite



36-inch  
 DRR36980RAP  
 Door Swing : Right  
 Interior : Metal (STSS)  
 Custom Panel : Graphite



36-inch  
 DRR36980LAP  
 Door Swing : Left  
 Interior : Metal (STSS)  
 Custom Panel : Silver



36-inch  
 DRR36980RAP  
 Door Swing : Right  
 Interior : Metal (STSS)  
 Custom Panel : Silver

**COLUMN – Freezer**



18-inch  
DRZ18980LAP  
Door Swing : Left  
Interior : Metal (STSS)  
Custom Panel : Graphite



18-inch  
DRZ18980RAP  
Door Swing : Right  
Interior : Metal (STSS)  
Custom Panel : Graphite



18-inch  
DRZ18980LAP  
Door Swing : Left  
Interior : Metal (STSS)  
Custom Panel : Silver



18-inch  
DRZ18980RAP  
Door Swing : Right  
Interior : Metal (STSS)  
Custom Panel : Silver



24-inch  
DRZ24980LAP  
Door Swing : Left  
Interior : Metal (STSS)  
Custom Panel : Graphite



24-inch  
DRZ24980RAP  
Door Swing : Right  
Interior : Metal (STSS)  
Custom Panel : Graphite



24-inch  
DRZ24980LAP  
Door Swing : Left  
Interior : Metal (STSS)  
Custom Panel : Silver



24-inch  
DRZ24980RAP  
Door Swing : Right  
Interior : Metal (STSS)  
Custom Panel : Silver



30-inch  
DRZ30980LAP  
Door Swing : Left  
Interior : Metal (STSS)  
Custom Panel : Graphite



30-inch  
DRZ30980RAP  
Door Swing : Right  
Interior : Metal (STSS)  
Custom Panel : Graphite



30-inch  
DRZ30980LAP  
Door Swing : Left  
Interior : Metal (STSS)  
Custom Panel : Silver



30-inch  
DRZ30980RAP  
Door Swing : Right  
Interior : Metal (STSS)  
Custom Panel : Silver

**COLUMN – Freezer**



30-inch  
DRZ30990LAP  
Door Swing : Left  
Interior : Porcelain  
Custom Panel : Graphite



30-inch  
DRZ30990RAP  
Door Swing : Right  
Interior : Porcelain  
Custom Panel : Graphite



30-inch  
DRZ30990LAP  
Door Swing : Left  
Interior : Porcelain  
Custom Panel : Silver



30-inch  
DRZ30990RAP  
Door Swing : Right  
Interior : Porcelain  
Custom Panel : Silver



36-inch  
DRZ36980LAP  
Door Swing : Left  
Interior : Metal (STSS)  
Custom Panel : Graphite



36-inch  
DRZ36980RAP  
Door Swing : Right  
Interior : Metal (STSS)  
Custom Panel : Graphite



36-inch  
DRZ36980LAP  
Door Swing : Left  
Interior : Metal (STSS)  
Custom Panel : Silver



36-inch  
DRZ36980RAP  
Door Swing : Right  
Interior : Metal (STSS)  
Custom Panel : Silver

## COLUMN – Wine



24-inch  
DRW24\*\*\*LAP  
Door Swing : Left  
Interior : Metal (STSS)  
Custom Panel : Graphite



24-inch  
DRZ24\*\*\*RAP  
Door Swing : Right  
Interior : Metal (STSS)  
Custom Panel : Graphite

## FRENCH DOOR



36-inch  
DRF367500AP  
Interior : Metal (STSS)  
Custom Panel : Graphite



36-inch  
DRF367500AP  
Interior : Metal (STSS)  
Custom Panel : Silver



42-inch  
DRF427500AP  
Interior : Metal (STSS)  
Custom Panel : Graphite



42-inch  
DRF427500AP  
Interior : Metal (STSS)  
Custom Panel : Silver



42-inch  
DRF427500AP  
Interior : Porcelain  
Custom Panel : Graphite



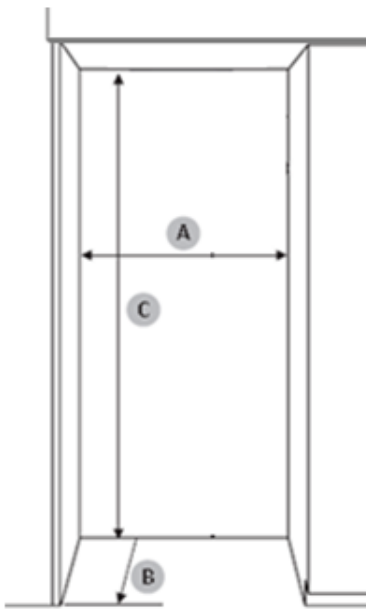
42-inch  
DRF427500AP  
Interior : Porcelain  
Custom Panel : Silver



## 2. Plan the cutout : Single

It is important to observe the specified dimensions of the installation cutout for a trouble-free installation of the appliance and for the subsequent appearance of the door panel.

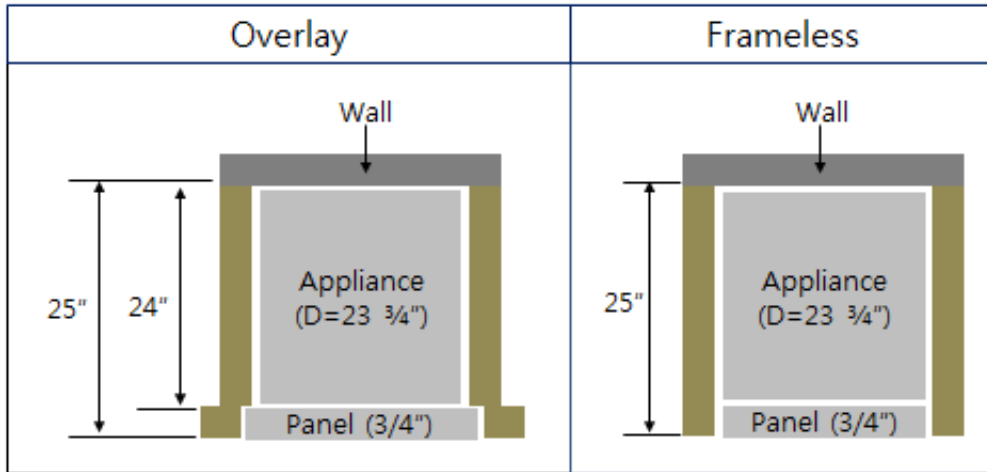
- In particular ensure that the cutout is square. Squareness can be checked by suitable means, spirit level diagonal measurements, etc.
- This side walls of the cutout must be flush. The minimum thickness of the side and top walls is 5/8" (16 mm).



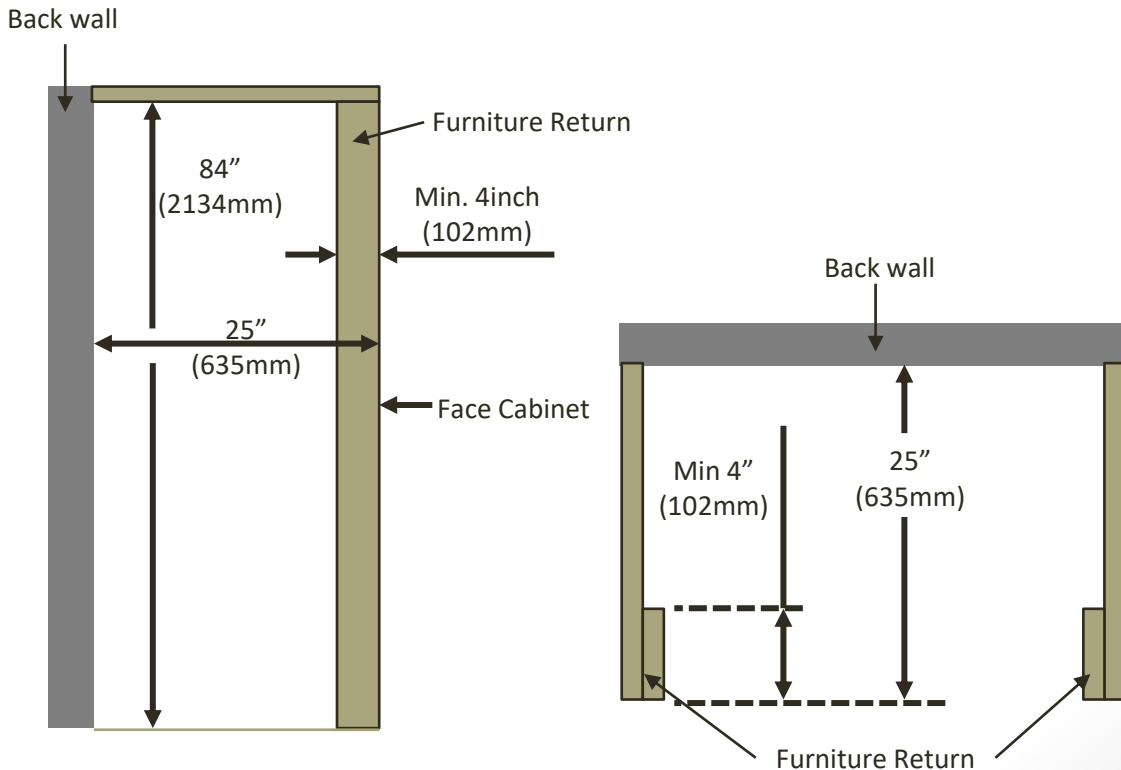
Call Out	18"	24"	30"	36"	42"
A (Cabinet Width)	18" (457 mm)	24" (610 mm)	30" (762 mm)	36" (915 mm)	42" (1067mm)
B (Cabinet Depth)	Min 25" (635 mm)				
C (Cabinet Height)	84" (2134 mm)				

- B : Includes the standard door panel thickness with 3/4".
- Installation inside a cabinet of this width allows the refrigerator trim to be attached directly to the surrounding cabinets.

DACOR built-in refrigeration appliances are designed to accommodate nearly any type of kitchen cabinetry door installation. Generally, when using standard 3/4"(19mm)panels, Min 25"(635mm) deep cutout are recommended.



**\* Furniture Return**



Furniture return must be at least 4" (102 mm) deep, on interior top and sides, of solid material and should be finished to match the exterior at the same depth (4" or 102 mm)

### 3. Plan the configuration & cutout : Pair / 3 unit

#### 1) Recommend configuration

<p>Single</p>	<div style="display: flex; justify-content: space-around; align-items: center;"> <div style="text-align: center;"> <p><i>OK</i></p> </div> <div style="text-align: center;"> <p><i>OK</i></p> </div> <div style="text-align: center;"> <p><i>X</i></p> </div> </div>
<p>Pair</p>	<p><b>* Without Partition</b></p> <div style="display: flex; flex-direction: column; align-items: center;"> <div style="display: flex; justify-content: space-around; width: 100%;"> <div style="text-align: center;"> <p><i>OK</i></p> </div> <div style="text-align: center;"> <p><i>X ( not possible pairing )</i></p> </div> </div> <div style="display: flex; justify-content: space-around; width: 100%; margin-top: 20px;"> <div style="text-align: center;"> <p><i>X ( not possible pairing )</i></p> </div> <div style="text-align: center;"> <p><i>X ( not possible pairing )</i></p> </div> </div> <div style="text-align: center; margin-top: 20px;"> <p><i>X ( not possible pairing )</i></p> </div> </div>

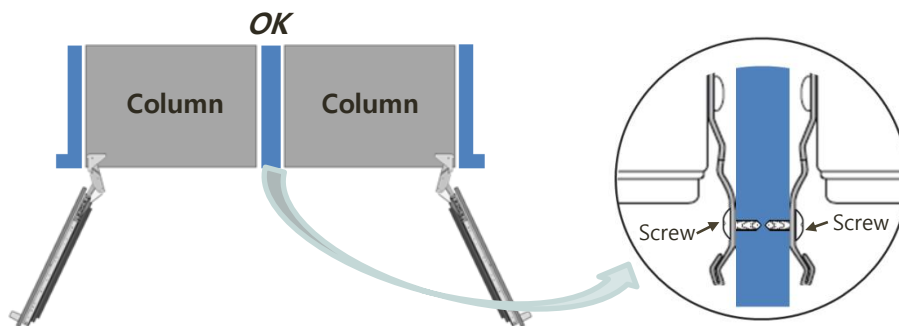
### 3. Plan the configuration & cutout : Pair / 3 unit

#### 1) Recommend configuration

##### \* With Partition

Door swivel direction : Opposite

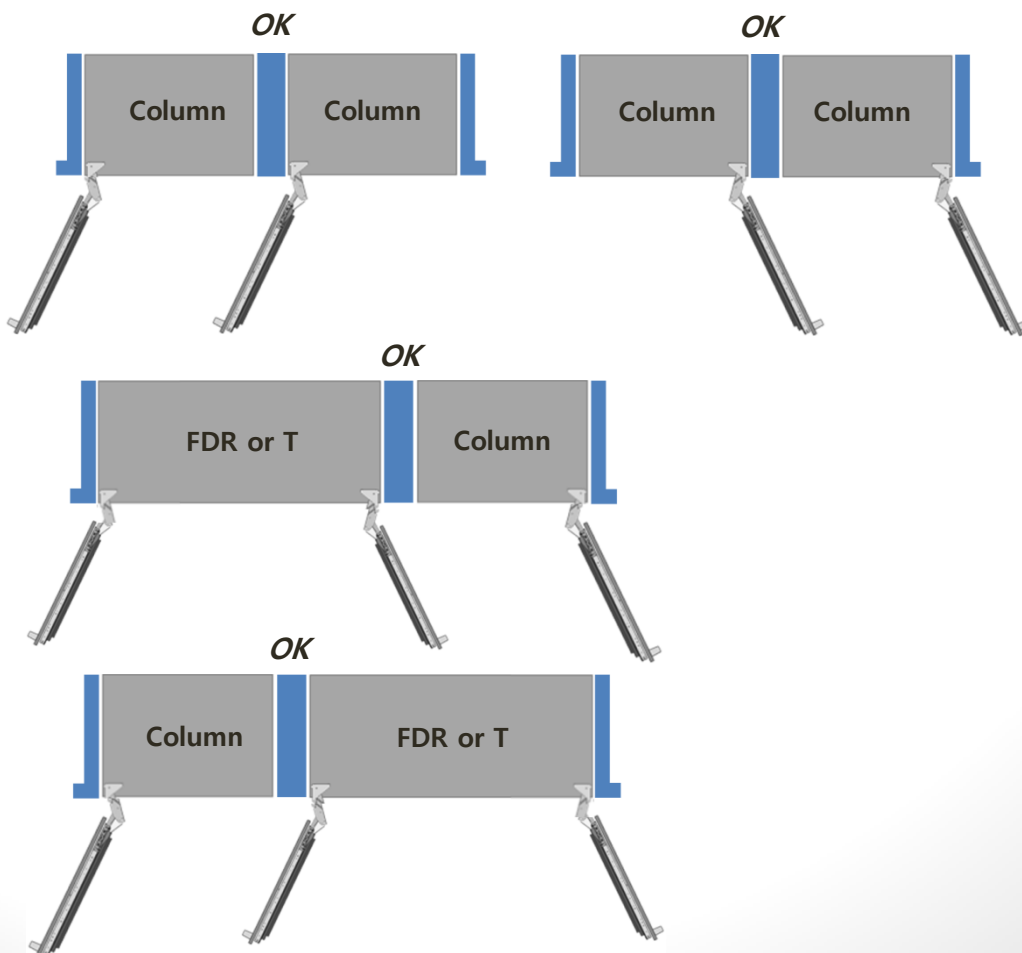
The minimum thickness of the partition is 1 1/4" (32mm).



Door swivel direction : Same

The minimum thickness of the partition is 1 9/16" (40mm).

Pair



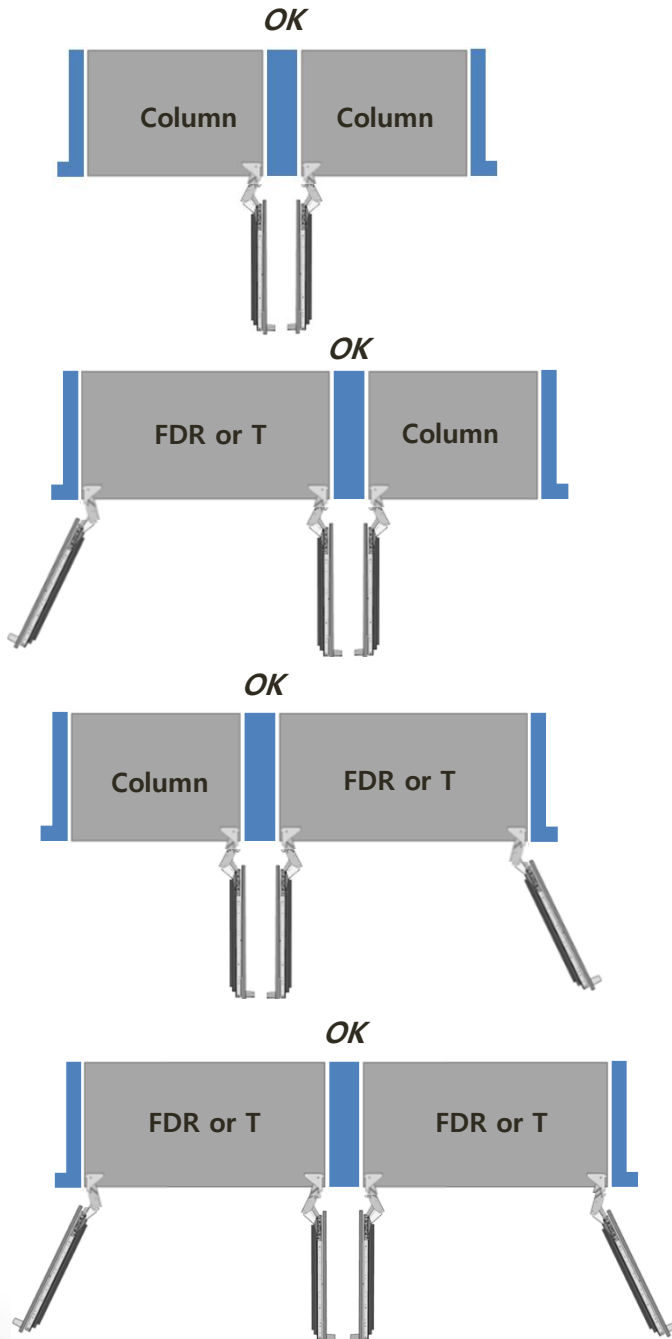
### 3. Plan the configuration & cutout : Pair / 3 unit

#### 1) Recommend configuration

##### \* With Partition

At more than 7 7/8" (200mm), the doors swing can open toward each other at the same time and the doors open angle is 90 degree. Partition thickness is dependent on handle depth. Dimension is acceptable for Dacor handles.

Pair



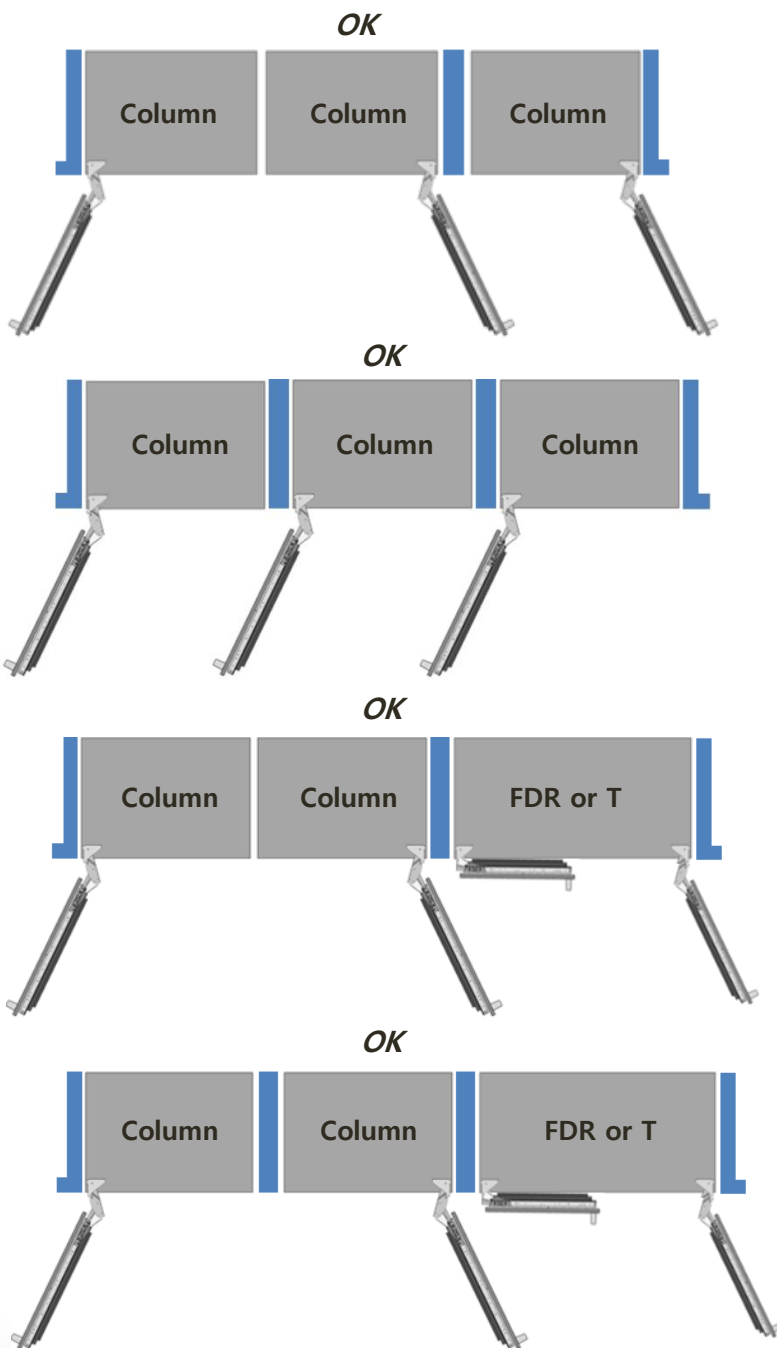
### 3. Plan the configuration & cutout : Pair / 3 unit

#### 1) Recommend configuration

\* With Partition

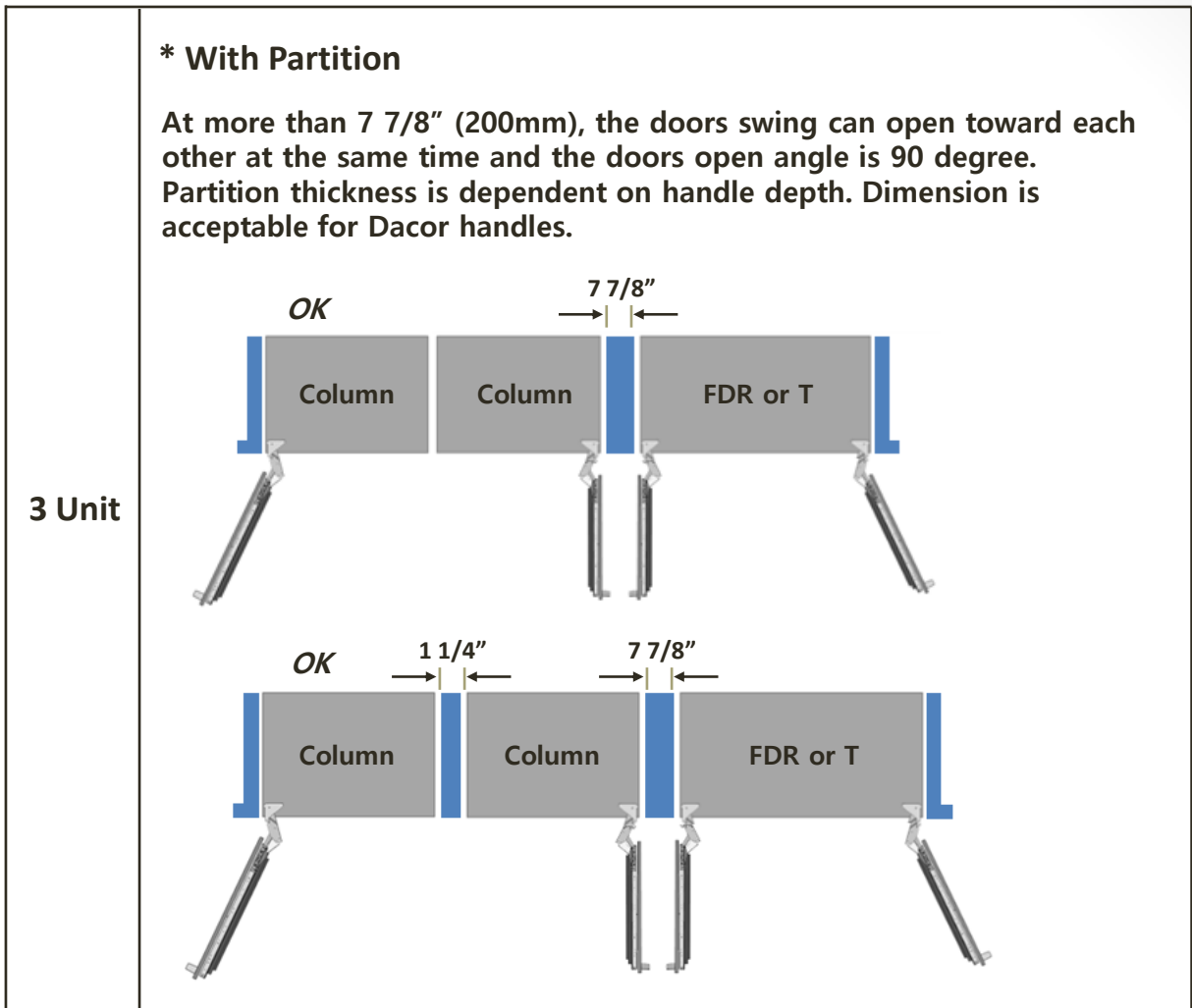
At 1 9/16" (40mm), the door swing can open same direction.  
If the doors are opened at the same time, the one door open angle is 90 degree and then the other door is opened.

3 Unit

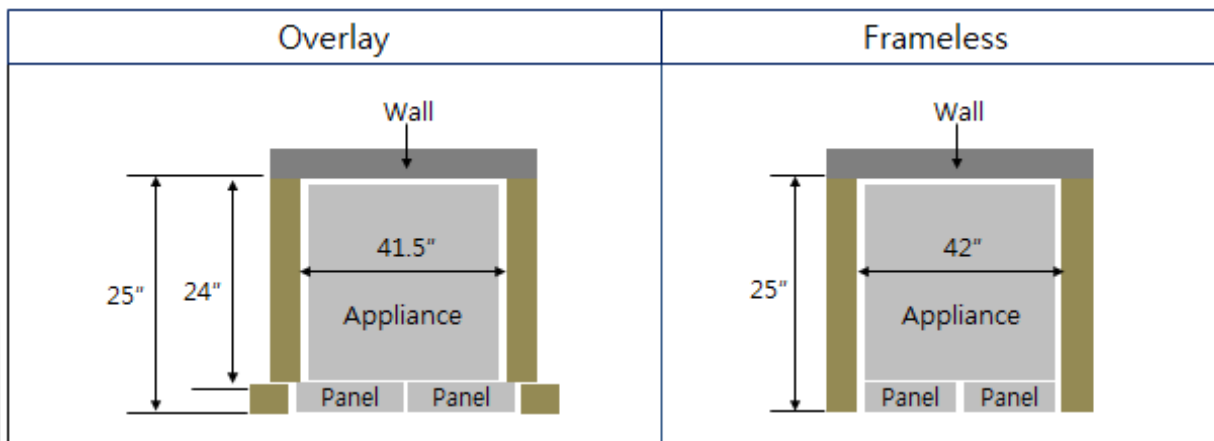


### 3. Plan the configuration & cutout : Pair / 3 unit

#### 1) Recommend configuration

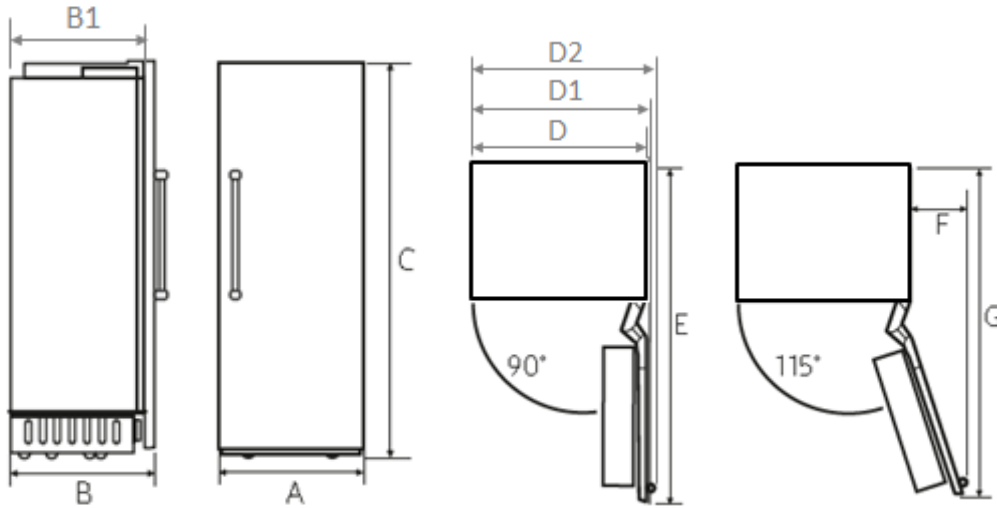


#### ✳ French – 4 Door Installation Type



## 2) Product Dimension

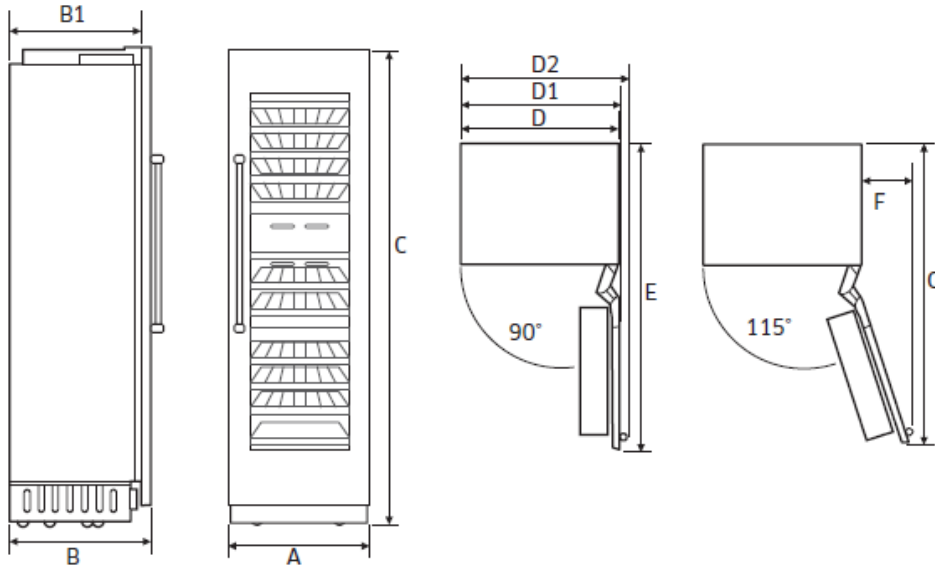
### [ COLUMN ]



Call Out	18"	24"	30"	36"
A(Width)	17 3/4" (451 mm)	23 3/4" (603 mm)	29 3/4" (756 mm)	35 3/4" (908 mm)
B (With Panel)	25" (635mm)			
B1 (Without Panel)	23 13/16" (605mm)			
C (Height)	83 3/8" (2118 mm)			
D	17 5/8" (447 mm)	23 5/8" (600 mm)	29 5/8" (752 mm)	35 5/8" (905 mm)
D1	18 7/8" (478 mm)	24 7/8" (631 mm)	30 7/8" (783 mm)	36 7/8" (936 mm)
D2	21 9/16" (548 mm)	27 9/16" (701 mm)	33 19/32" (853 mm)	39 19/32" (1006 mm)
E	44 3/4" (1136 mm)	50 3/4" (1289 mm)	56 11/16" (1440 mm)	62 7/8" (1597 mm)
F	11 13/16" (275 mm)	13 11/16" (348 mm)	16 9/16" (421 mm)	20 9/16" (496 mm)
G	43 7/8" (1114 mm)	49 11/16" (1261 mm)	55 5/16" (1404 mm)	61 5/16" (1556 mm)

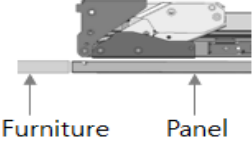
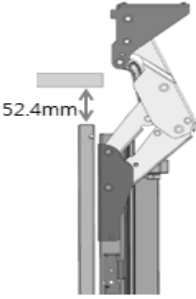
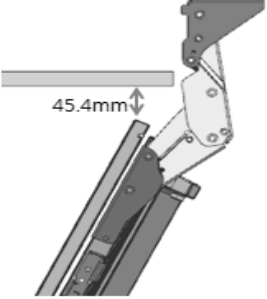
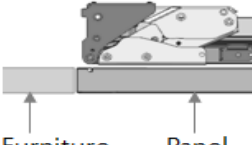
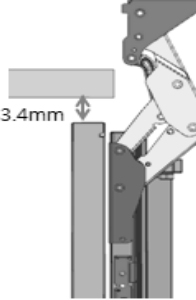
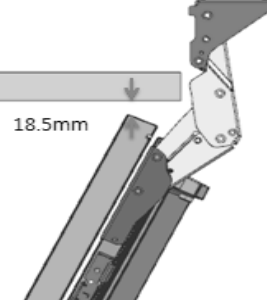


[ WINE CELLAR ]

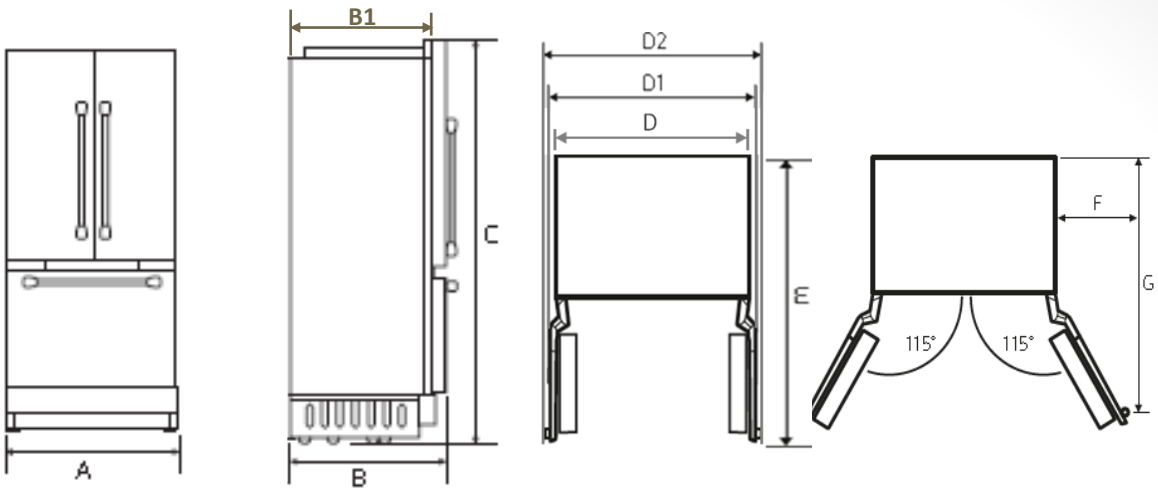


Call Out	Wine 24"
A(Width)	23 3/4" (603mm)
B (With Panel)	25" (635mm)
B1 (Without Panel)	23 13/16" (605mm)
C (Height)	83 3/8" (2118mm)
D	23 5/8" (600mm)
D1	24 7/8" (631mm)
D2 (With Handle)	27 9/16" (701mm)
E	50 3/4" (1289mm)
F	13 11/16" (348mm)
G	49 11/16" (1261mm)

[ DOOR SWIVEL RANGE - COLUMN ]

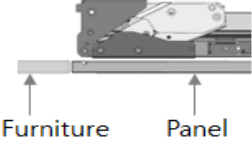
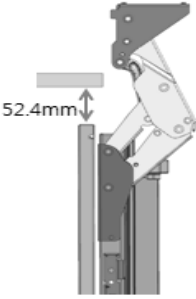
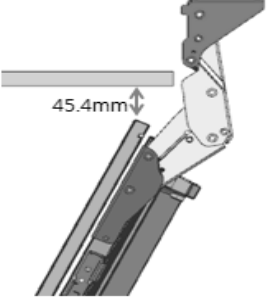
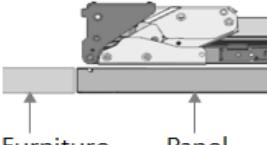
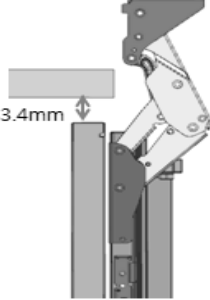
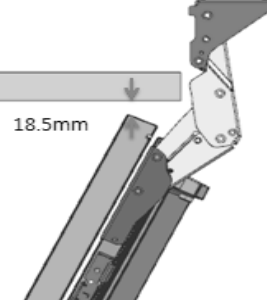
Panel Thickness	90° Open	115° Open
<p><math>\frac{3}{4}</math>" (19mm)</p> 	 <p>52.4mm</p>	 <p>45.4mm</p>
<p>1½" (38mm)</p> 	 <p>33.4mm</p>	 <p>18.5mm</p>

[ FRENCH – 3 DOOR ]

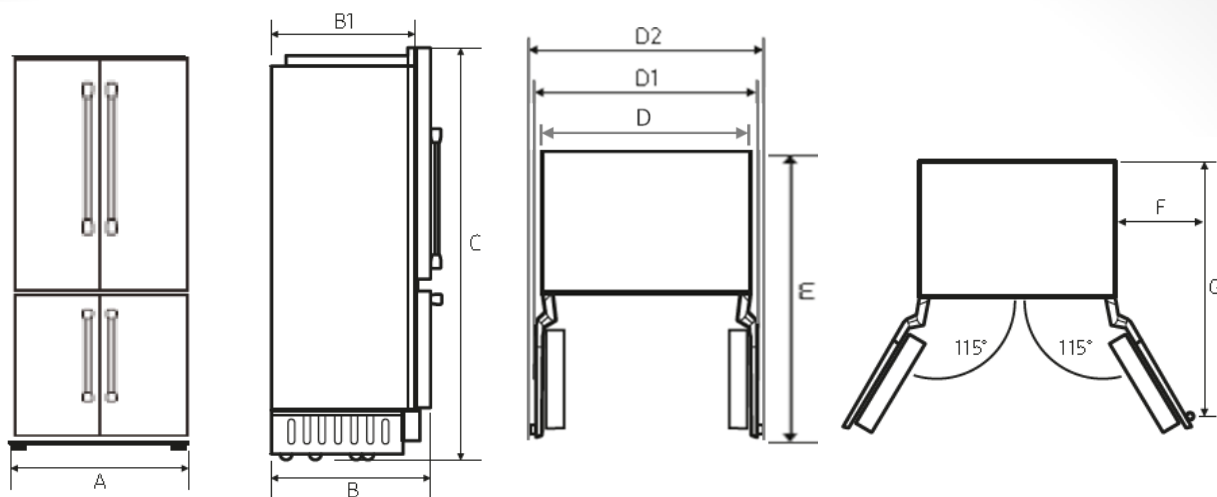


Call Out	36"
A(Width)	35 3/4" (908mm)
B (With Panel)	25" (635mm)
B1 (Without Panel)	23 13/16" (605mm)
C (Height)	83 3/8" (2118mm)
D	35 5/8" (905mm)
D1	38 1/16" (967mm)
D2 (With Handle)	43 19/32" (1107mm)
E	44 7/8" (1140mm)
F	20 9/16" (496mm)
G	44" (1118mm)

[ DOOR SWIVEL RANGE - FRENCH 3 DOOR ]

Panel Thickness	90° Open	115° Open
<p><math>\frac{3}{4}</math>" (19mm)</p>  <p>Furniture      Panel</p>	 <p>52.4mm</p>	 <p>45.4mm</p>
<p>1½" (38mm)</p>  <p>Furniture      Panel</p>	 <p>33.4mm</p>	 <p>18.5mm</p>

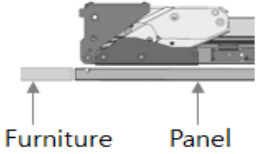
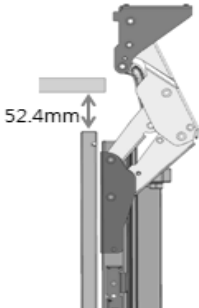
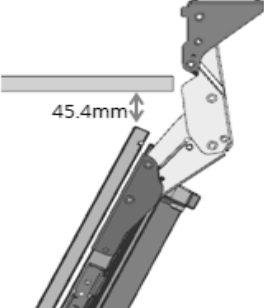
### [ FRENCH – 4 DOOR ]



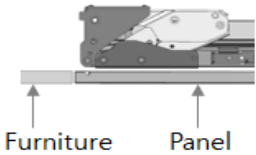
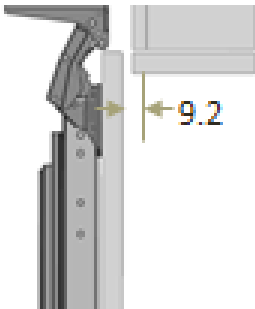
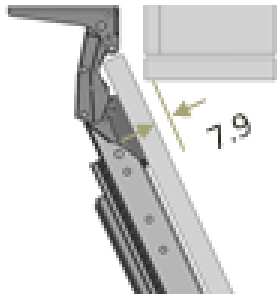
Call Out	42"
A(Width)	41 3/4" (1060mm)
B (With Panel)	25" (635mm)
B1 (Without Panel)	23 11/16" (603mm)
C (Height)	83 3/8" (2118mm)
D	41 1/4" (1048mm)
D1	43 11/16" (1110mm)
D2	49 7/32" (1250mm)
E	48 1/2" (1232mm)
F	22 7/16" (570mm)
G	47 5/8" (1210mm)

[ DOOR SWIVEL RANGE - FRENCH 4 DOOR ]

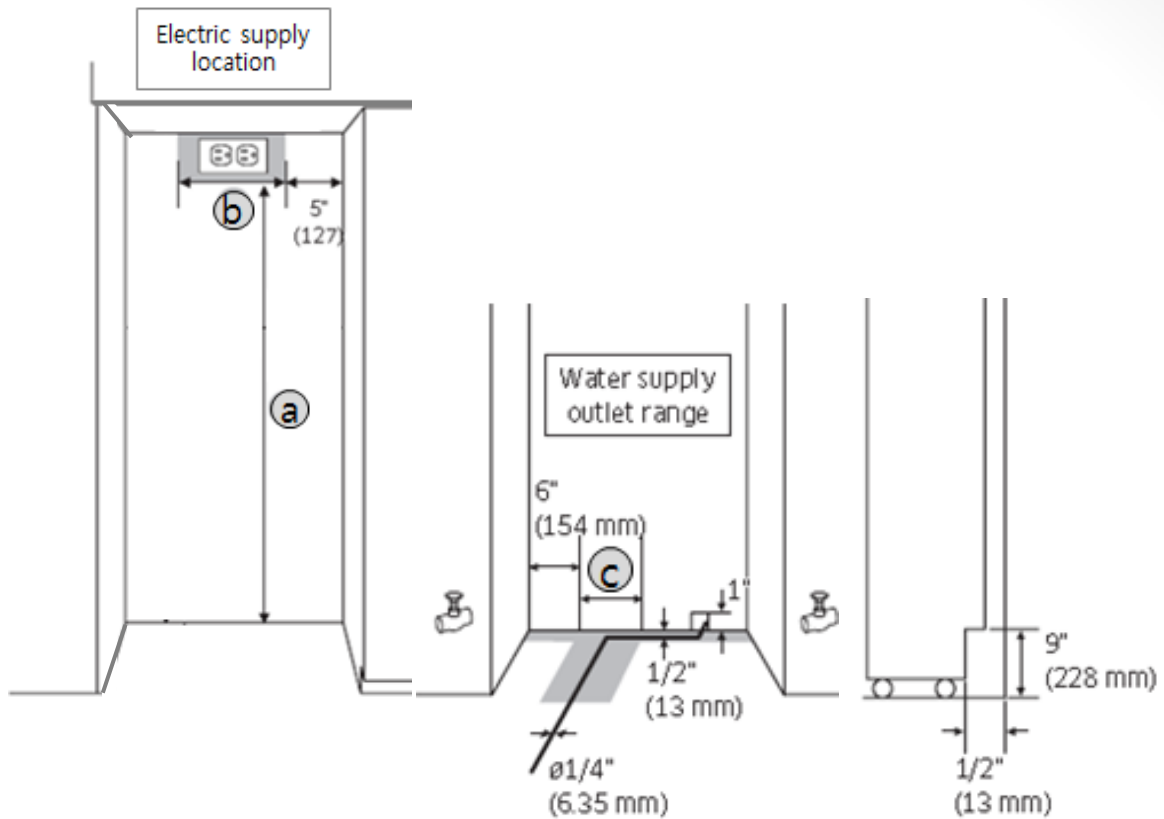
< FRIDGE DOOR >

Panel Thickness	90° Open	115° Open
<p data-bbox="201 372 354 405">¾" (19mm)</p> 	 <p data-bbox="562 484 654 510">52.4mm</p>	 <p data-bbox="962 484 1053 510">45.4mm</p>

< FREEZER DOOR >

Panel Thickness	90° Open	115° Open
<p data-bbox="201 896 354 929">¾" (19mm)</p> 	 <p data-bbox="711 1012 768 1037">9.2</p>	 <p data-bbox="1119 1025 1162 1051">1.9</p>

## 4. Properly site the electrical and water supply outlet



Call Out	18"	24"	30"	36"	42"
a	80" (2032mm)				
b	8" (203mm)	14" (356mm)	20" (508mm)	26" (660mm)	22" (559mm)
c	3" (76mm)	5 1/2" (140mm)	6" (154mm)	9" (228mm)	12" (305mm)

# 5. Accessory package

Acc. Code	CMF Color	Hinge	Handle	Accessory Package															
				Panel Right Fridge	Q'ty	Panel Left Fridge	Q'ty	Panel Right Freezer	Q'ty	Panel Left Freezer	Q'ty	Toe Kick	Q'ty	Handle Fridge	Q'ty	Handle Freezer	Q'ty		
RAC18AMLHMS	Modern Graphite	L	Modern			●	1							●	1	●	1		
RAC18AMRHMS	Modern Graphite	R	Modern	●	1									●	1	●	1		
RAC18AMLHSR	Real STSS	L	Modern			●	1							●	1	●	1		
RAC18AMRHSR	Real STSS	R	Modern	●	1									●	1	●	1		
RAC24AMLHMS	Modern Graphite	L	Modern			●	1							●	1	●	1		
RAC24AMRHMS	Modern Graphite	R	Modern	●	1									●	1	●	1		
RAC24AMLHSR	Real STSS	L	Modern			●	1							●	1	●	1		
RAC24AMRHSR	Real STSS	R	Modern	●	1									●	1	●	1		
RAC30AMLHMS	Modern Graphite	L	Modern			●	1							●	1	●	1		
RAC30AMRHMS	Modern Graphite	R	Modern	●	1									●	1	●	1		
RAC30AMLHSR	Real STSS	L	Modern			●	1							●	1	●	1		
RAC30AMRHSR	Real STSS	R	Modern	●	1									●	1	●	1		
RAC36AMLHMS	Modern Graphite	L	Modern			●	1							●	1	●	1		
RAC36AMRHMS	Modern Graphite	R	Modern	●	1									●	1	●	1		
RAC36AMLHSR	Real STSS	L	Modern			●	1							●	1	●	1		
RAC36AMRHSR	Real STSS	R	Modern	●	1									●	1	●	1		
RAC18AHLHSR	Real STSS	L	Pro			●	1							●	1	●	1		
RAC18AHRHSR	Real STSS	R	Pro	●	1									●	1	●	1		
RAC24AHLHSR	Real STSS	L	Pro			●	1							●	1	●	1		
RAC24AHRHSR	Real STSS	R	Pro	●	1									●	1	●	1		
RAC30AHLHSR	Real STSS	L	Pro			●	1							●	1	●	1		
RAC30AHRHSR	Real STSS	R	Pro	●	1									●	1	●	1		
RAC36AHLHSR	Real STSS	L	Pro			●	1							●	1	●	1		
RAC36AHRHSR	Real STSS	R	Pro	●	1									●	1	●	1		
RAF36AMAAMS	Modern Graphite	All	Modern	●	1	●	1	●	1					●	1	●	3		
RAF36AHAASR	Real STSS	All	Pro	●	1	●	1	●	1					●	1	●	3		
RAF36AMAASR	Real STSS	All	Modern	●	1	●	1	●	1					●	1	●	3		
RAT42AMAAMS	Modern Graphite	All	Modern	●	1	●	1	●	1	●	1			●	1	●	2	●	2
RAT42AMAASR	Real STSS	All	Modern	●	1	●	1	●	1	●	1			●	1	●	2	●	2
RAT42AHAASR	Real STSS	All	Pro	●	1	●	1	●	1	●	1			●	1	●	2	●	2

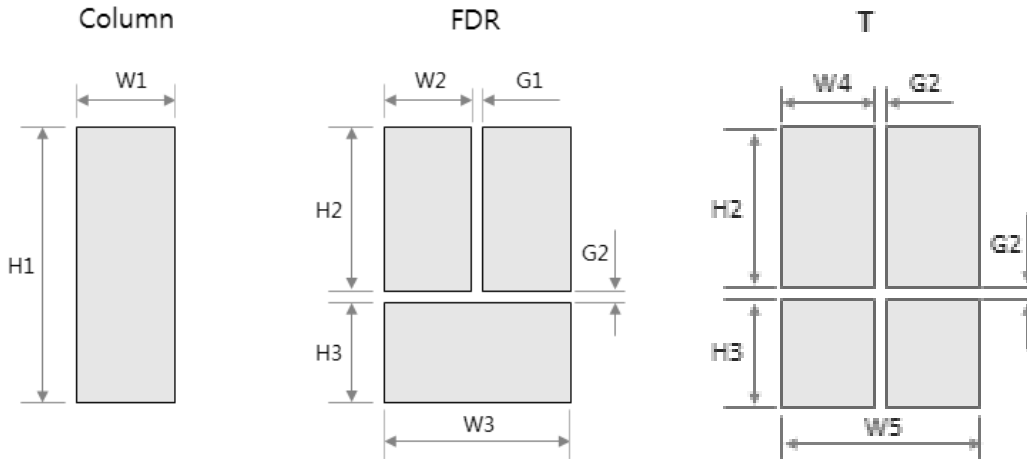


## 5. Accessory package

Acc. Code	CMF Color	Hinge	Handle	Accessory Package													
				Panel Right Fridge	Q'ty	Panel Left Fridge	Q'ty	Panel Right Freezer	Q'ty	Panel Left Freezer	Q'ty	Toe Kick	Q'ty	Handle Fridge	Q'ty	Handle Freezer	Q'ty
RAW24AMRHMS	Modern Graphite	R	Modern	●	1							●	1	●	1		
RAW24AMRHSR	Real STSS	R	Modern	●	1							●	1	●	1		
RAW24AMLHMS	Modern Graphite	L	Modern			●	1					●	1	●	1		
RAW24AMLHSR	Real STSS	L	Modern			●	1					●	1	●	1		
RAW24AHLHSR	Real STSS	L	Pro			●	1					●	1	●	1		
RAW24AHRHSR	Real STSS	R	Pro	●	1							●	1	●	1		

## 1) Door panel specification

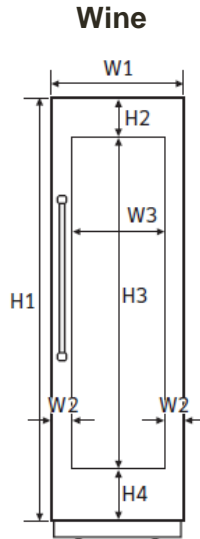
Refrigeration appliance is designed to be equipped with a decorative door panel. A panel can be custom-made or purchased as a Stainless Steel accessory. The table below illustrates the dimensions of the Stainless Steel panel accessories and can be used as a guide in creating custom panels.



	COLUMN				FDR	T
Callout	18"	24"	30"	36"	36"	42"
W1	17 3/4" (451 mm)	23 3/4" (603 mm)	29 3/4" (756 mm)	35 3/4" (908 mm)	-	-
W2	-				17 3/4" (450 mm)	-
W3	-				35 3/4" (908 mm)	-
W4	-				-	20 25/32" (528 mm)
H1	79 7/8" (2,029 mm)				-	
H2	-				49 3/16" (1249 mm)	
H3	-				30 9/16" (776 mm)	
G1	-				3/16" (5 mm)	5/32" (4 mm)
G2	-				5/32" (4 mm)	
Panel Thickness	3/4" (19 mm)					
Panel Max Weight	55.0lb (25kg)				Fridge : 55.0lb (25kg)	
					Freezer : 22.0lb (10kg)	

## 1) Door panel specification



Refrigeration appliance is designed to be equipped with a decorative door panel. A panel can be custom-made or purchased as a Stainless Steel accessory. The table below illustrates the dimensions of the Stainless Steel panel accessories and can be used as a guide in creating custom panels.



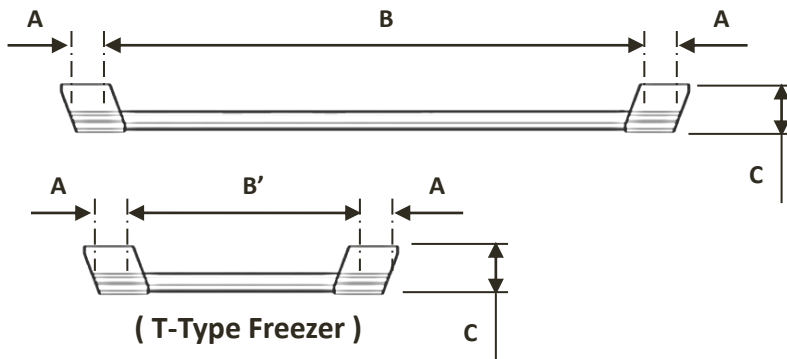
	Wine
Callout	24"
W1	23 3/4" (603 mm)
W2	3 9/32" (83.5 mm)
W3	17 5/32" (436 mm)
H1	79 7/8" (2,029 mm)
H2	7 23/32" (196 mm)
H3	62 25/32" (1,594.5 mm)
H4	9 3/8" (238.5 mm)
Panel Thickness	3/4" (19 mm)
Panel Max Weight	55.0lb (25kg)

## 2) Handle style & specification

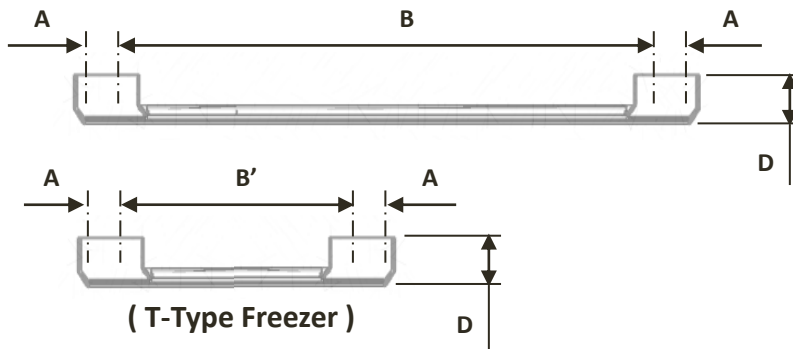
Pro Handle (silver), Modern Handle (silver or black)

PRO – HANDLE	
MODERN - HANDLE	

### [ PRO HANDLE ]

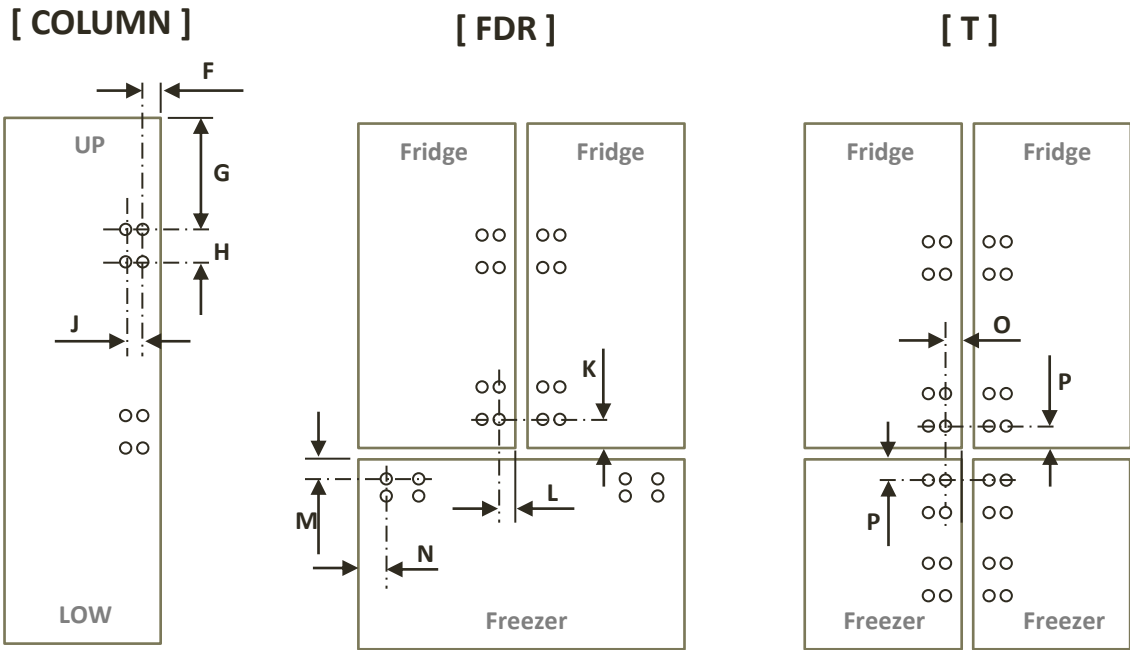


### [ MODERN HANDLE ]



Callout	Dimension
A	1 29/32" (48.3 mm)
B	28 1/16" (712.6 mm)
B'	11 5/16" (287.2 mm)
C	2 1/2" (63.5 mm)
D	1 7/8" (48.0 mm)

## Dacor Handle Position



Callout	Dimension	Callout	Dimension
F	1 1/8" (28.5 mm)	L	1 3/32" (27.5 mm)
G	16 3/4" (425.2 mm)	M	1 11/16" (43.2 mm)
H	1 29/32" (48.3 mm)	N	1 15/16" (49.5 mm)
J	9/16" (14.2 mm)	O	1 3/32" (27.5 mm)
K	1 31/32" (50.2 mm)	P	1 1/4" (31.8 mm)

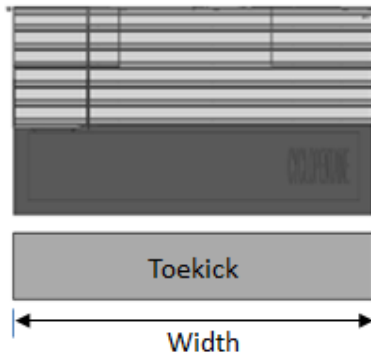
PANEL\_LEFT HINGE

\* PANEL\_RIGHT HINGE is symmetry PANEL\_LEFT HINGE

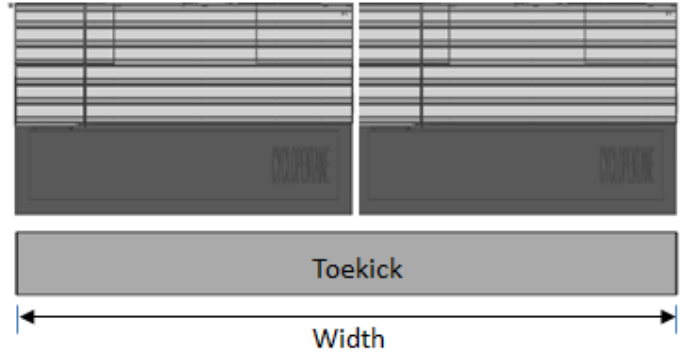
### 3) Toe kick plate style

Toe Kick plate STS (Silver or Black)

*Single Installation*



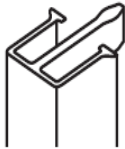


*Pair Installation*



Type	Cutout Size	Toe kick Size		
		Thickness	Height	Width
Single Installation	18"	Max 1/8" (3mm)	3 25/32" (96mm)	17 3/4" (451 mm)
	24"			23 25/32" (604 mm)
	30"			29 3/4" (756 mm)
	36"			35 25/32" (909 mm)
	42"			41 3/8" (1051 mm)
Pair Installation	42"			41 7/8" (1064 mm)
	48"			47 7/8" (1216 mm)
	54"	53 27/32" (1368 mm)		
	60"	59 27/32" (1520 mm)		
	66"	65 7/8" (1673 mm)		
	72"	71 7/8" (1826 mm)		

## 4) Pair Installation Kit

Trim center and Lever and Bracket up / low

TRIM CENTER	
LEVER	
BRACKET	<p data-bbox="588 788 625 815">UP</p> <p data-bbox="968 788 1025 815">LOW</p> 

## 18-Inch Column - Freezer

## DRZ18980LAP / DRZ18980RAP



Cabi	Metal Liner	Cabinet	Stainless Steel
		Multi Cover	Stainless Steel
	Box material / EA		Stainless Steel / 3EA
	Shelf		Glass(2), Metal(1)
	Lighting		3 sided LED
	Ice Maker	Standard	●
Cocktail		● (삭제)	
Precise Cooling			●
Control Panel			Silver Glass + White LED
Door	Panel material		Stainless Steel
	Guard material /EA		AL Die Casting + Glass / 4EA
Smart	Wifi (LTE) Module		●
	Smart Camera		-

## SPECIFICATION

Total Capacity (cu. ft.)	9.5
Product Width	17 3/4"
Product Height	83 3/8"
Product Depth	25"
Cutout Width	18"
Cutout Height	84"
Cutout Depth	25"
Energy	E-Star
Electrical Supply	115V/15A
Power Cord Included	115V 3-prong
Net Weight (lbs)	357 lbs (panel ready)



## 24-Inch Column - Freezer

### DRZ24980LAP / DRZ24980RAP



Cabi	Metal Liner	Cabinet	Stainless Steel
		Multi Cover	Stainless Steel
	Box material / EA		Stainless Steel / 3EA
	Shelf		Glass(2), Metal(1)
	Lighting		3 sided LED
	Ice Maker	Standard	●
Cocktail		●	
Precise Cooling			●
Control Panel			Silver Glass + White LED
Door	Panel material		Stainless Steel
	Guard material /EA		AL Die Casting + Glass / 4EA
Smart	Wifi (LTE) Module		●
	Smart Camera		-

### SPECIFICATION

Total Capacity (cu. ft.)	13.6
Product Width	23 3/4"
Product Height	83 3/8"
Product Depth	25"
Cutout Width	24"
Cutout Height	84"
Cutout Depth	25"
Energy	E-Star
Electrical Supply	115V/15A
Power Cord Included	115V 3-prong
Net Weight (lbs)	434 lbs (panel ready)

## 30-Inch Column - Freezer

### DRZ30980LAP / DRZ30980RAP



Cabi	Metal Liner	Cabinet	Stainless Steel
		Multi Cover	Stainless Steel
	Box material / EA		Stainless Steel / 3EA
	Shelf		Glass(2), Metal(1)
	Lighting		3 sided LED
	Ice Maker	Standard	●
Cocktail		●	
Precise Cooling			●
Control Panel			Silver Glass + White LED
Door	Panel material		Stainless Steel
	Guard material /EA		AL Die Casting + Glass / 4EA
Smart	Wifi (LTE) Module		●
	Smart Camera		-

### SPECIFICATION

Total Capacity (cu. ft.)	17.6
Product Width	29 3/4"
Product Height	83 3/8"
Product Depth	25"
Cutout Width	30"
Cutout Height	84"
Cutout Depth	25"
Energy	E-Star
Electrical Supply	115V/15A
Power Cord Included	115V 3-prong
Net Weight (lbs)	483 lbs (panel ready)

## 36-Inch Column - Freezer

### DRZ36980LAP / DRZ36980RAP



Cabi	Metal Liner	Cabinet	Stainless Steel
		Multi Cover	Stainless Steel
	Box material / EA		Stainless Steel / 3EA
	Shelf		Glass(2), Metal(1)
	Lighting		3 sided LED
	Ice Maker	Standard	●
		Cocktail	●
Precise Cooling		●	
Control Panel		Silver Glass + White LED	
Door	Panel material		Stainless Steel
	Guard material /EA		AL Die Casting + Glass / 4EA
Smart	Wifi (LTE) Module		●
	Smart Camera		-

### SPECIFICATION

Total Capacity (cu. ft.)	21.4
Product Width	35 3/4"
Product Height	83 3/8"
Product Depth	25"
Cutout Width	36"
Cutout Height	84"
Cutout Depth	25"
Energy	E-Star
Electrical Supply	115V/15A
Power Cord Included	115V 3-prong
Net Weight (lbs)	534 lbs (panel ready)

## 24-Inch Column – Fridge

### DRR24980RAP / DRR24980LAP



Cabi	Metal Liner	Cabinet	Stainless Steel
		Multi Cover	Stainless Steel
	Box material / EA		Stainless Steel / 3EA
	Shelf		Glass(3), Metal(1)
	Lighting		3 sided LED
Deodorizer			●
Precise Cooling			●
Control Panel			Silver Glass + White LED
Door	Panel material		Stainless Steel
	Guard material /EA		AL Die Casting + Glass / 4EA
Smart	Wifi (LTE) Module		●
	Smart Camera		●

### SPECIFICATION

Total Capacity (cu. ft.)	13.7
Product Width	23 3/4"
Product Height	83 3/8"
Product Depth	25"
Cutout Width	24"
Cutout Height	84"
Cutout Depth	25"
Energy	E-Star
Electrical Supply	115V/15A
Power Cord Included	115V 3-prong
Net Weight (lbs)	417 lbs (panel ready)

## 30-Inch Column - Fridge

### DRR30980RAP / DRR30980LAP



Cabi	Metal Liner	Cabinet	Stainless Steel
		Multi Cover	Stainless Steel
	Box material / EA		Stainless Steel / 3EA
	Shelf		Glass(3), Metal(1)
	Lighting		3 sided LED
Deodorizer			●
Precise Cooling			●
Control Panel			Silver Glass + White LED
Door	Panel material		Stainless Steel
	Guard material /EA		AL Die Casting + Glass / 4EA
Smart	Wifi (LTE) Module		●
	Smart Camera		●

### SPECIFICATION

Total Capacity (cu. ft.)	17.8
Product Width	29 3/4"
Product Height	83 3/8"
Product Depth	25"
Cutout Width	30"
Cutout Height	84"
Cutout Depth	25"
Energy	E-Star
Electrical Supply	115V/15A
Power Cord Included	115V 3-prong
Net Weight (lbs)	470 lbs (panel ready)

## 36-Inch Column - Fridge

### DRR36980RAP / DRR36980LAP



Cabi	Metal Liner	Cabinet	Stainless Steel
		Multi Cover	Stainless Steel
	Box material / EA		Stainless Steel / 3EA
	Shelf		Glass(3), Metal(1)
	Lighting		3 sided LED
Deodorizer			●
Precise Cooling			●
Control Panel			Silver Glass + White LED
Door	Panel material		Stainless Steel
	Guard material /EA		AL Die Casting + Glass / 4EA
Smart	Wifi (LTE) Module		●
	Smart Camera		●

### SPECIFICATION

Total Capacity (cu. ft.)	21.6
Product Width	35 3/4"
Product Height	83 3/8"
Product Depth	25"
Cutout Width	36"
Cutout Height	84"
Cutout Depth	25"
Energy	E-Star
Electrical Supply	115V/15A
Power Cord Included	115V 3-prong
Net Weight (lbs)	527 lbs (panel ready)

## 36-Inch French Door

### DRF367500AP



Fridge	Cabi	Metal Liner	Cabinet	Stainless Steel
			Multi Cover	Stainless Steel
		Pantry		-1/3/5°C
		Box material / EA		Stainless Steel / 3EA
		Shelf		Glass(2), Metal(1)
		Deodorizer		●
	Lighting		3 sided LED	
	Precise Cooling		●	
	Control Panel		Silver Glass + White LED	
	Door	Panel material		Stainless
Guard material /EA		SAN (Grey) / 6EA		
Freezer	Cabi	Metal Liner	Cabinet	Stainless Steel
		Box material / EA		Stainless Steel / 2EA
		Lighting		Top LED
	Ice Maker	Standard	●	
		Cocktail	●	
	Precise Cooling		●	
Door	Panel material		Stainless	
Smart	Wifi (LTE) Module		●	
	Smart Camera		-	

### SPECIFICATION

Total Capacity (cu. ft.)	21.3
Product Width	35 3/4"
Product Height	83 3/8"
Product Depth	25"
Cutout Width	36"
Cutout Height	84"
Cutout Depth	25"
Energy	E-Star
Electrical Supply	115V/15A
Power Cord Included	115V 3-prong
Net Weight (lbs)	562 lbs (panel ready)

## 24-Inch Wine Cellar

### DRW24980RAP / DRW24980LAP



PRODUCTION/ OPERATION		NEW
Dimension	83 3/8" x 35 3/4" x 23 13/16"	
Color	Door: Panel Ready	
Actual Capacity	Total: Max 100	
(Net ℓ)	Upper / Mid / Lower zone	Triple zone
	Energy	Non Standard Product 285 kWh/yr
Technology	Cooling Technology	Triple Cooling
	Precise Cooling	±0.2°C (0.3°F)
	Metal Cooling (Duct)	Yes
Smart	Wi-Fi / RM Function	Yes / SmartThings
Exterior Design	Door Shape	Panel Ready (STS Silver, Matt Black)
Hinge	Left / Right	
Handles Color:	Handle Design	Modern (Aluminum)
Display	Display Location	Inner (Hidden)
	Digital Display	COLOR Touch + White LED
	Etc Door Alarm (2m) / Child Lock /Sabbath Mode	
Refrigerator:	Interior Meterial / Color	Stainless steel
	Deodorizer	3ea
Shelves	Quantity	11ea
	Material of Shelf	Wood (Oak) stained and coated
	Rail	Full extension shelf * Except present shelf
Door	Mounting Type	Panel Ready
	Glass	Triplex glass + argon gas + Low-e coat
	Push to Open	Yes
	Manual Door Lock	No
Lighting System	Interior Light	Tunnel LED with Dimming (Manual 3 step)
	Presenter lighting	Yes (Manual 3 step)

### SPECIFICATION

Total Capacity (cu. ft.)	Max 100 Bottle
Product Width	23 3/4"
Product Height	83 3/8"
Product Depth	25"
Cutout Width	24"
Cutout Height	84"
Cutout Depth	25"
Energy	-
Electrical Supply	115V/15A
Power Cord Included	115V 3-prong
Net Weight (lbs)	408 lbs (panel ready)