

24-Inch Undercounter Wine Cellar



DRW24G7500APDA - Panel Ready



Features & Benefits

- Field reversible flush capable hinge
- Panel Ready
- Touch Control
- Dual Zone independent temperature zones
- SteelCool™ full stainless steel interior
- LED 3D Lighting™
- Triple pane UV resistant glass
- R600a refrigerant

Controls

CONTROL TYPE	Touch
WI-FI + SMARTTHINGS	No
SABBATH MODE	Yes

Features

LED LIGHTING	Yes
GLASS DOOR	Triple pane UV resistant
INTERIOR MATERIAL	SteelCool™ (full stainless steel walls)
REFRIGERANT	R600a
SHELVES	4 wood shelves, 2 plastic shelves

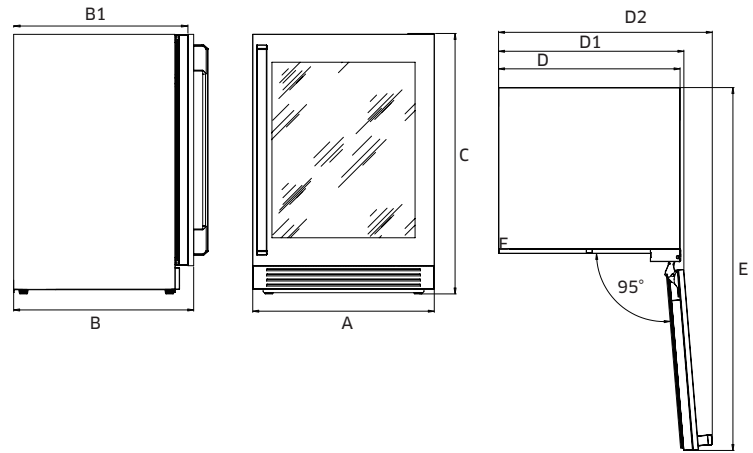
DRW24G7500APDA - 24-Inch Undercounter Wine Cellar

Refrigerator	
REFRIGERATOR CAPACITY (CU.FT)	4.7 (41 bottles)
ZONES	2
REFRIGERATOR TEMPERATURE	40° F to 65° F
Weights & Dimensions	
NET WEIGHT (LB)	145.2
SHIPPING WEIGHT (LB)	162.8
PRODUCT DIMENSIONS (W x H x D IN INCHES)	23 ^{3/4} x 34 ^{3/16} to 34 ^{3/8} x 23 ^{5/8}
STANDARD CUTOUT REQUIRED (W x H x D IN INCHES)	24 min. x 34 ^{1/4} to 34 ^{7/16} x 24 min.
Technical Details	
ELECTRICAL REQUIREMENTS	115V, 60 Hz, 15A
Warranty	
FULL COVERAGE	2 Years
Accessories (Optional)	
RAW24AMAASR/DA	Panel Kit, Silver Stainless
RAW24AMAAMS/DA	Panel Kit, Graphite Stainless

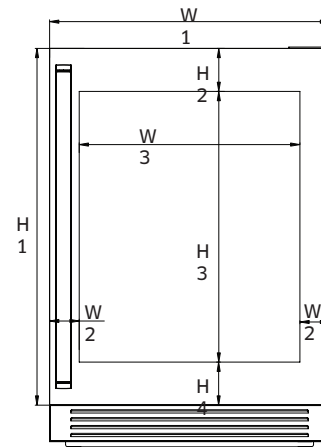
Model numbers, specifications and prices are subject to change at any time without notice. Visit dacor.com for the most up-to-date information. | Effective October 25, 2024

24-Inch Undercounter Wine Cellar

Product Dimensions	
A	23 3/4" (603 mm)
B - WITH PANEL	23 5/8" (600 mm)
B1 - WITHOUT PANEL	22 7/8" (581 mm)
C	34 3/16"-34 3/8" (868mm-873 mm)
D	23 13/16" (605 mm)
D1	24 5/16" (617.5 mm)
D2	28" (712.5 mm)
E	50 13/16" (1290.5mm)



Custom Panel Dimensions	
W1	23 3/4" (603 mm)
W2	2 3/8" (60 mm)
W3	18 11/16" (477mm)
H1	30 3/8" (771mm)
H2	3 3/8" (86 mm)
H3	23 9/16" (598 mm)
H4	3 3/8" (86 mm)
PANEL THICKNESS	3/4" (19 mm)
CUSTOM PANEL THICKNESS	23/32" - 25/32" (18 mm - 20 mm)
MAX WEIGHT	22.0 lb (10 kg)



Cut-out and Utility Location for Built-In Purposes

