

dacor[®]

User Manual

Undercounter Wine Cellar
DRW24G7500**



Contents

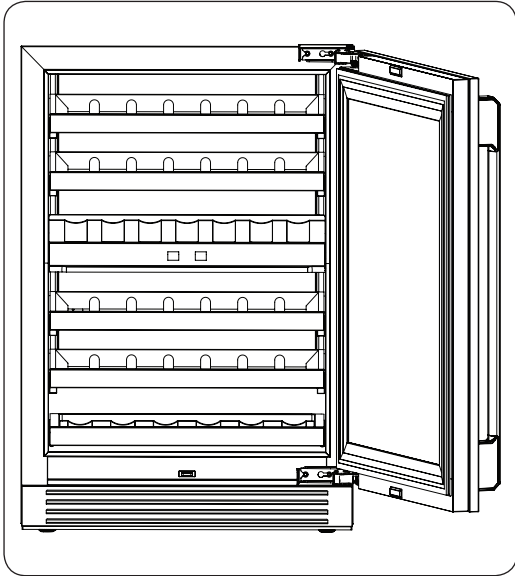
Important Information	4
Before You Begin	4
Safety Information	5
Important Safety Symbols and Precautions:	6
State of California Proposition 65 Warning	6
Important safety precautions	6
Severe Warning Signs for Transportation and Site	7
Critical Installation Warnings	8
Installation Cautions	10
Critical Usage Warnings	11
Usage Cautions	13
Cleaning Cautions	14
Critical Disposal Warnings	15
Before disposal of the appliance	15
Before Using Your Wine Cellar	16
Installation of Your Wine Cellar	16
Attention	17
Ambient Room Temperature Limits	17
What's Included	18
Inside Parts, Storage, and Shelving	18
Operations	19
Control Panel	19
Using Other Functions	22
Storage Diagram	23
Shelves	24
Replacement	25

Care and Maintenance	26
Cleaning	26
Power Failure	26
Vacation Time	26
Moving Your Wine Cellar	26
Energy Saving Tips	26
Troubleshooting	27
Troubleshooting Guide	27
Abnormal Sounds	28
Warranty	30
United States - Warranty	30
CANADA - Warranty	34

Important Information

Before You Begin

Important Information



Installer

- Leave these Use and Care instructions with the appliance.

Consumer

- Please read this Use and Care Manual completely before using your wine cellar. Save it for future reference.

- The overall design and/or accessories may differ with the model.

Retain your sales receipt or canceled check. Proof of original purchase date is required for warranty service.

Have the complete model and serial number identification of your appliance ready.

These numbers are found on the label located inside of the wine cellar wall. Record these numbers below for easy access.

Model Number	
Serial Number	
Date of Purchase	

Safety Information

- Before using your new Dacor wine cellar, please read this manual thoroughly to ensure that you know how to operate the features and functions that your new appliance offers safely and efficiently.
- This appliance is not intended for use by persons (including children) with reduced physical, sensory or mental capabilities, or lack of experience and knowledge, unless they have been given supervision or instruction concerning use of the appliance by a person responsible for their safety. Children should be supervised to ensure that they do not play with the appliance.
- Because the following instructions cover various models, the characteristics of your wine cellar may differ slightly from the wine cellar described in this manual.
- It is hazardous for anyone other than an authorised Service Person to service this appliance.
- Refrigerant squirting out of the pipes could ignite or cause an eye injury. When refrigerant leaks from the pipe, avoid any naked flames and move anything flammable away from the product and ventilate the room immediately.
 - Failing to do so may result in fire or explosion.

WARNING

- R-600a is used as a refrigerant. This product contains flammable gas (Refrigerant R-600a), contact your local authority in regard to safe disposal of this product.
- In order to avoid the creation of a flammable gas-air mixture if a leak in the refrigerating circuit occurs, the size of the room in which the appliance may be sited depends on the amount of refrigerant used. The room must be 35.3 ft³ in size for every 8 g of R-600a refrigerant inside the appliance.
- The installation location should not be exposed to direct sunlight and not placed near any electric appliance or heat source, e.g. stove, oven, radiator, etc.
- If you use two products side by side, for safety reason, be sure to use certified products in explosive gas atmospheres.
- Never start up an appliance showing any signs of damage. If in doubt, consult your dealer.



Warning; Risk of fire / flammable materials



Safety Information

Important Safety Symbols and Precautions:

Please follow all safety instructions in this manual. This manual uses the following safety symbols.

WARNING

Hazards or unsafe practices that may result in **severe personal injury, property damage, and/or death.**

CAUTION

Hazards or unsafe practices that may result in **severe personal injury and/or property damage.**

NOTE

Useful information that helps users understand or benefit from the wine cellar.

These warning signs are here to prevent injury to you and others.

Please follow them carefully.

After reading this section, keep it in a safe place for future reference.

State of California Proposition 65 Warning

WARNING

Cancer and Reproductive Harm - www.P65Warnings.ca.gov.

Important safety precautions

WARNING

- Fill with potable water only.
- Keep ventilation openings, in the appliance enclosure or in the built-in structure, clear of obstruction.
- Do not use mechanical devices or other means to accelerate the defrosting process, other than those recommended by the manufacturer.
- Do not damage the refrigerant circuit.
- Do not use electrical appliances inside the food storage compartments of The appliance, unless they are of the type recommended by the manufacturer.
- Connect to potable water supply only.



WARNING

- Risk of child entrapment. Before you throw away your old refrigerator or freezer:
 - Take off the doors.
 - Leave the shelves in place so that children may not easily climb inside.

CAUTION

- Risk Of Fire Or Explosion. Flammable Refrigerant Used. Do Not Use Mechanical Devices To Defrost Refrigerator. Do Not Puncture Refrigerant Tubing.
- Risk Of Fire Or Explosion. Flammable Refrigerant Used. To Be Repaired Only By Trained Service Personnel. Do Not Puncture Refrigerant Tubing.
- Risk Of Fire Or Explosion. Flammable Refrigerant Used. Consult Repair Manual/Owner's Guide Before Attempting to Service This Product. All Safety Precautions Must Be Followed.
- Risk Of Fire Or Explosion. Dispose Of Properly In Accordance With Federal Or Local Regulations. Flammable Refrigerant Used.
- Risk Of Fire Or Explosion Due To Puncture Of Refrigerant Tubing; Follow Handling Instructions Carefully. Flammable Refrigerant Used.
- To Prevent A Child From Being Entrapped, Keep Out Of Reach Of Children And Not In The Vicinity Of Freezer Or Refrigerator.

This appliance is intended to be used in household and similar applications such as

- staff kitchen areas in shops, offices and other working environments;
- farm houses and by clients in hotels, motels and other residential type environments;
- bed and breakfast type environments;
- catering and similar non-retail applications.

Severe Warning Signs for Transportation and Site

WARNING

- When transporting and installing the appliance, care should be taken to ensure that no parts of the refrigerating circuit are damaged.
 - Refrigerant leaking from the pipe work could ignite or cause an eye injury. If a leak is detected, avoid any naked flames or potential sources of ignition and air the room in which the appliance is standing for several minutes.
 - This appliance contains a small amount of isobutane refrigerant (R-600a), a natural gas with high environmental compatibility but also flammable.



Safety Information

Critical Installation Warnings

WARNING

- Do not install the wine cellar in a damp location or place where it may come in contact with water.
 - Deteriorated insulation on electrical parts may cause an electric shock or fire.
- Do not place this wine cellar in direct sunlight or expose it to heat from stoves, room heaters, or other appliances.
- Do not plug several appliances into the same power strip. The wine cellar should always be plugged into its own individual electrical outlet which has a voltage rating that matches the voltage listed on the wine cellar's rating plate.
 - This provides the best performance and also prevents overloading of house wiring circuits, which could overheat the wires and cause a fire hazard.
- If the wall socket is loose, do not insert the power plug.
 - There is a risk of electric shock or fire.
- Do not use a power cord that has cracks or abrasion damage along its length or at either end.
- Do not bend the power cord excessively or place heavy objects on it.
- Do not pull or excessively bend the power cord.
- Do not twist or tie the power cord.
- Do not hook the power cord over a metal object, insert the power cord between objects, or push the power cord into the space behind the appliance.
- Never unplug your wine cellar by pulling on the power cord. Always grip the plug firmly and pull straight out from the outlet.
 - Damage to the cord may cause a short-circuit, fire, and/or electric shock.
- Do not store explosive substances such as aerosol cans with a flammable propellant in this appliance.
- Do not install this appliance near flammable material.
- Do not install this appliance in a location where gas may leak.
 - This may result in an electric shock or fire.
- This wine cellar must be properly located and installed in accordance with the instructions in this manual before you use it.
- Connect the power plug in the proper position with the cord hanging down.
 - If you connect the power plug upside down, the wire can get cut off and cause a fire or electric shock.
- Make sure that the power plug is not crushed or damaged by the back of the wine cellar.



- Keep the packing materials out of reach of children.
 - There is a risk of death from suffocation if a child puts the packing materials on his or her head.
- The appliance must be positioned so that the plug is accessible after installation.
 - Failing to do so may result in an electric shock or fire due to electric leakage.
- Do not install this appliance in a humid, oily or dusty location, or in a location exposed to direct sunlight or to water (rain drops).
 - Deteriorated insulation on electrical parts may cause an electric shock or fire.
- If large amounts of dust or water enter the wine cellar, turn off the power switch and contact your Dacor service center.
 - Otherwise there is a risk of fire.
- You need to remove all the protective plastic film before you initially plug the product in.
- Children should be supervised to ensure that they do not play with the snap rings used for door adjustment or the water tube clips.
 - There is risk of death by suffocation if a child swallows a snap ring or water tube clip. Keep the snap rings and water tube clips out of children's reach.
- The wine cellar must be safely grounded.
 - Always make sure that you have grounded the wine cellar before attempting to investigate or repair any part of the appliance. Power leakages can cause severe electric shock.
- Never use gas pipes, telephone lines, or other potential lightning attractors as an electrical ground.
 - You must ground the wine cellar to prevent any power leakages or electric shocks caused by current leakage from the wine cellar.
 - This may result in an electric shock, fire, explosion, or problems with the product.
 - Improper use of the grounding plug can result in a risk of electric shock. If it is necessary to use an extension cord, use only a 3-wire extension cord that has a 3-blade grounding plug and a 3-slot receptacle that will accept the plug on the appliance. The marked rating of the extension cord should be AC 115-120 V, 10 A, or more. If a grounding adapter is used, make sure the receptacle box is fully grounded.
- Plug the power plug into the wall socket firmly. Do not use a damaged power plug, damaged power cord, or loose wall socket.
 - This may result in an electric shock or fire.
- If the power cord is damaged, have it replaced immediately by the manufacturer or one of its service agents.



Safety Information

- Only a qualified technician or service company should be allowed to change the fuse in the wine cellar.
 - Failing to do so may result in an electric shock or personal injury.
- The wall socket must be easily accessible so that the appliance can be quickly disconnected from the wall socket in an emergency.
- It must be outside the area of the rear of the appliance.
- When positioning the appliance, ensure the power cord is not trapped or damaged.
- Do not locate multiple socket-outlets or power supplies at the rear of the appliance.
- Keep ventilation openings, in the appliance enclosure or in the built-in structure, clear of obstruction.
- To avoid a hazard due to instability of the appliance, it must be fixed in accordance with the instructions.

Installation Cautions

CAUTION

- Allow sufficient space around the wine cellar and install it on a flat surface.
 - Keep the ventilation space in the appliance enclosure or mounting structure clear of obstructions.
- After you have installed the wine cellar and turned it on, allow the appliance to stand for 2 hours before loading it with wine.
- It is strongly recommended you have a qualified technician or service company install the wine cellar.
 - Failing to do so may result in an electric shock, fire, explosion, problems with the product, or injury.



Critical Usage Warnings

WARNING

- Do not insert the power plug into a wall socket with wet hands.
 - This may result in an electric shock.
- Do not store articles on the top of the appliance.
 - When you open or close the door, the articles may fall and cause personal injury and/or material damage.
- Do not insert hands, feet or metal objects (such as utensils, etc.) into the bottom or the back of the wine cellar.
 - This may result in an electric shock or injury.
 - Any sharp edges may cause a personal injury.
- Do not put a container filled with water on the wine cellar.
 - If spilled, there is a risk of fire or electric shock.
- Do not keep volatile or flammable objects or substances (benzene, thinner, propane gas, alcohol, ether, LP gas, and other such products) in the wine cellar.
 - This wine cellar is for storing wine only.
 - This may result in fire or explosion.
- Children should be supervised to ensure that they do not play with the appliance.
 - Keep fingers out of “pinch point” areas. Clearances between the doors and cabinet are necessarily small. Be careful when you open the doors if children are in the area.
- Do not let children hang on the door. A serious injury may occur.
- Do not let children go inside the wine cellar. They could become trapped.
- Do not insert your hands into the area under the appliance.
 - Any sharp edges may cause personal injury.
- Do not store pharmaceutical products, scientific materials, or temperature sensitive products in the wine cellar.
 - Products that require strict temperature controls must not be stored in the wine cellar.
- Do not place or use electrical appliances inside the wine cellar, unless they are of a type recommended by the manufacturer.
- If you smell smoke, turn off the power switch immediately, and then contact your Dacor service center.
- If large amounts of dust or water enter the wine cellar, disconnect the power plug and contact your Dacor service center.
 - Otherwise there is a risk of fire.
- Do not leave the door of the wine cellar open while the wine cellar is unattended and do not let children enter the wine cellar.
 - It can cause death from suffocation by entrapment or personal injury.

Safety Information

- Do not overfill the wine cellar with wine.
 - When you open the door, an item may fall out and cause personal injury or material damage.
- Do not spray volatile material such as insecticide onto the surface of the appliance.
 - As well as being harmful to humans, it may also result in an electric shock, fire, or problems with the product.
- Do not use or place any substances sensitive to temperature such as flammable sprays, flammable objects, dry ice, medicine, or chemicals near or inside the wine cellar.
- Do not use a hair dryer to dry the inside of the wine cellar. Do not place a lighted candle in the wine cellar to remove bad odors.
 - This may result in an electric shock or fire.
- Do not use mechanical devices or any other means to accelerate the defrosting process, other than those recommended by the manufacturer.
- Do not damage the refrigerant circuit.
- If a gas leak is detected, avoid any naked flames or potential sources of ignition, and air the room in which the appliance is standing for several minutes.
 - Do not touch the appliance or power cord.
 - Do not use a ventilating fan.
 - A spark may result in an explosion or fire.
- Use only the LED lamps provided by the manufacturer or its service agents.
- Do not attempt to repair, disassemble, or modify the wine cellar yourself.
 - Unauthorized modifications can cause safety problems. To reverse an unauthorized modification, we will charge the full cost of parts and labor.
- Do not use any fuse (such as cooper, steel wire, etc.) other than a standard fuse.
- If your wine cellar needs to be repaired or reinstalled, contact your nearest service center.
 - Failing to do so may result in an electric shock, fire, problems with the product, or injury.
- If the interior or exterior LED lamp has gone out, contact your nearest Dacor service center.
- If the wine cellar emits a burning smell or smoke, unplug the wine cellar immediately and contact a Dacor service center.
 - Failing to do so may result in an electric or fire hazards.
- Pull the power plug out of the socket before changing the interior lamps of the wine cellar.
 - Otherwise, there is a risk of electric shock.
- If you experience difficulty changing a non-LED light, contact a Dacor service center.

-
- If the product is equipped with LED lamps, do not disassemble the lamp covers and LED lamps yourself.
 - Contact a Dacor service center.
 - Plug the power plug into the wall socket firmly.
 - Do not use a damaged power plug, damaged power cord, or loose wall socket.
 - This may result in an electric shock or fire.
 - Do not expose the interior accessories, such as wine racks, bottle presenters, and shelf to direct sunlight for long.

Usage Cautions

CAUTION

- To get the best performance from the product:
 - Do not place wine too close to the vents at the rear of the wine cellar as this can obstruct free air circulation in the wine cellar compartment.
- Service warranty and modification.
 - Any changes or modifications performed by a 3rd party on this finished appliance are not covered under Dacor warranty service, nor is Dacor responsible for safety issues that result from 3rd party modifications.
- Do not block the air vents inside the wine cellar.
 - If the air vents are blocked, especially with a plastic bag, the wine cellar can be over cooled.
- If the wine cellar is disconnected from the power supply, you should wait for at least five minutes before plugging it back in.
- If large amounts of water enter the wine cellar, turn off the power switch and contact a Dacor service center.
- Do not strike or apply excessive force to any glass surface.
 - Broken glass may result in a personal injury and/or property damage.
- If the wine cellar is flooded, shut off the power to the wine cellar and contact your nearest Dacor service center.
 - There is a risk of electric shock or fire.



Safety Information

Cleaning Cautions

CAUTION

- Do not spray water directly on the inside or outside the wine cellar.
 - There is a risk of fire or electric shock.
- Do not use a hair dryer to dry the inside of the wine cellar.
- Do not place a lighted candle in the wine cellar to remove bad odors.
 - This may result in an electric shock or fire.
- Do not spray cleaning products directly on the display.
 - Printed letters on the display may come off.
- If any foreign substance such as water has entered the appliance, unplug the power and contact your nearest service center.
 - Failing to do so may result in an electric shock or fire.
- Use a clean, dry cloth to remove any foreign matter or dust from the power plug blades. Do not use a wet or damp cloth when cleaning the plug.
 - Otherwise, there is a risk of fire or electric shock.
- Do not clean the appliance by spraying water directly onto it.
- Do not use benzene, thinner, or Clorox (bleach) to clean the wine cellar.
 - They may damage the surface of the appliance and may cause a fire.
- Before cleaning or performing maintenance, unplug the appliance from the wall socket.
 - Failing to do so may result in an electric shock or fire.



Critical Disposal Warnings

WARNING

- Please dispose of the packaging material from this product in an environmentally friendly manner.
- Ensure that none of the pipes on the back of the wine cellar are damaged prior to disposal.
- R-600a is used as a refrigerant. This product contains flammable gas (Refrigerant R-600a), contact your local authority in regard to safe disposal of this product.
- Cyclopentane is used in the insulation. The gases in the insulation material require a special disposal procedure. Please contact your local authorities in regard to the environmentally safe disposal of this product.
- Keep all packaging materials well out of the reach of children, as packaging materials can be dangerous to children.
 - If a child places a bag over his or her head, the child could suffocate.

Before disposal of the appliance

1. Disconnect the main plug from the main socket.
2. Cut off the main power cord and discard it.



Correct disposal of this product

This symbol on the product, or in its packaging, indicates that this product may not be treated as household waste. Instead, it should be taken to the appropriate waste collection point for the recycling of electrical and electronic equipment. By ensuring this product is disposed of correctly, you will help prevent potential negative consequences for the environment and human health, which could otherwise be caused by the inappropriate waste handling of this product. For more detailed information about the recycling of this product, please contact your local council, your household waste disposal service, or the shop or the shop where you purchased the product.

Safety Information

Before Using Your Wine Cellar

- Remove the exterior and interior packing.
- Before connecting the wine cellar to the power source, let it stand upright for approximately 2 hours. This will reduce the possibility of a malfunction in the cooling system from handling during transportation.
- Clean the interior surfaces with lukewarm water using a soft cloth.
- This appliance is intended to be used in households and similar applications such as
 - staff kitchen areas in shops, offices and other work settings;
 - farmhouses and by clients in hotels, motels and other residential settings;
 - bed and breakfasts and similar settings;
 - catering and similar non-retail applications.
- When disposing of your appliance, please choose an authorized disposal site.

Installation of Your Wine Cellar

- This appliance is designed for free-standing or built-in (fully recessed) installation (see sticker location at the back of this appliance).
- This appliance is intended to be used exclusively for the storage of wine.
- Place your wine cellar on a floor that is strong enough to support it when it is fully loaded. To level your wine cellar, adjust the front leveling leg at the bottom.
- This appliance uses flammable refrigerant, and so the cooling pipework must never be damaged during transportation. Install the wine cellar away from direct sunlight and sources of heat (stove, heater, radiator, etc.). Direct sunlight may affect the acrylic coating and heat sources may increase electricity consumption. Extremely cold ambient temperatures may also degrade the appliance's performance.
- Avoid installing the appliance in moist areas.
- Plug the wine cellar into a dedicated, properly installed/grounded wall outlet. Do not under any circumstances cut or remove the third (ground) prong from the power cord. Any questions concerning power and/or grounding should be directed to a certified electrician or an authorized Dacor service center.

Attention

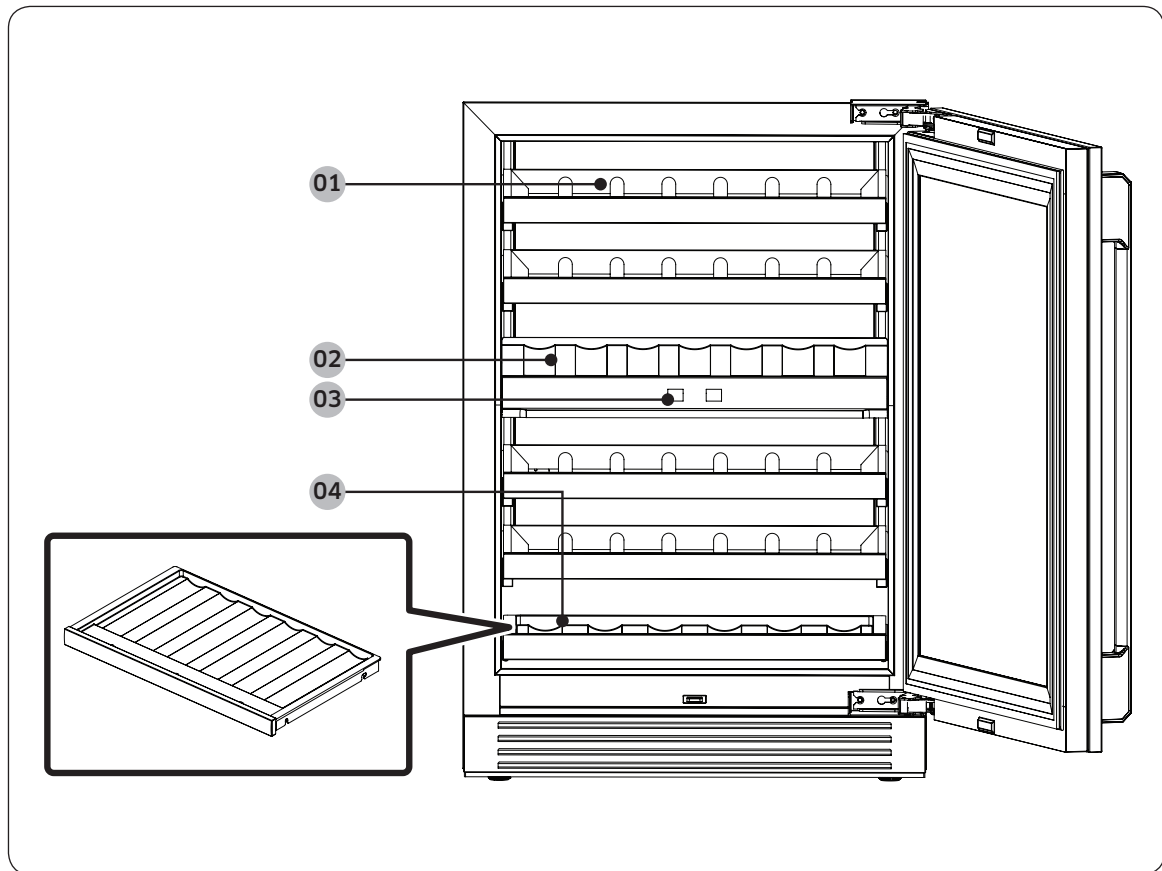
- Store wine in sealed bottles.
- Do not overload the cabinet.
- Only open the door when necessary.
- Do not cover shelves with aluminum foil or any other shelf material which may prevent air circulation.
- Should the wine cellar remain unused for long periods it is suggested, after a careful cleaning, to leave the door ajar to allow air to circulate inside the cabinet in order to avoid possible condensation, mold or odors.

Ambient Room Temperature Limits

This appliance is designed to operate in ambient temperatures between 60 °F and 90 °F (16 °C and 32 °C).

What's Included

Inside Parts, Storage, and Shelving



What's Included

01 Wine Racks

02 Bottle Presenter

03 Control Panel & Compartment Wall

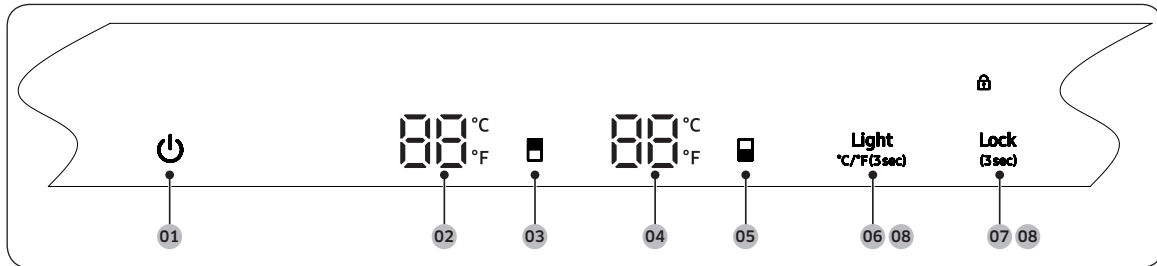
04 Bottom Wine Shelf

NOTE

The actual temperature of individual compartments may differ depending on the working conditions including the temperature setting of each compartment.

Operations

Control Panel



1. Button

Press and hold this button for 3 seconds to power on; press and hold this button for 3 seconds to power off.

2. Upper Chamber

Shows the set temperature for the upper chamber.

3. Upper Chamber Temperature Button

- **A (short press):** When you press the button, the system immediately flashes and displays the current set temperature. Each press increases the set temperature value by 1°C (or 1°F).
If the maximum possible temperature is exceeded, it will jump to the lowest adjustable temperature value automatically (such as 4°C/39°F).
- **B (press and hold for more than 1 second):** When you press the button, the system immediately flashes and displays the current set temperature. When you press and hold the button, the set temperature value will increase by 1°C (or 1°F).
If the maximum possible temperature is exceeded, it will jump to the lowest adjustable temperature value automatically (such as 4°C/39°F).

4. Lower Chamber

Shows the set temperature for the lower chamber.

Operations

5. Lower Chamber Temperature Button

A (short press): When you press the button, the system immediately flashes and displays the current set temperature. Each press increases the set temperature value by 1°C (or 1°F).

If the maximum possible temperature is exceeded, it will jump to the lowest adjustable temperature value automatically (such as 4°C/39°F).

B (press and hold for more than 1 second): When you press the button, the system immediately flashes and displays the current set temperature. When you press and hold the button, the set temperature value will increase by 1°C (or 1°F).

If the maximum possible temperature is exceeded, it will jump to the lowest adjustable temperature value automatically (such as 4°C/39°F).

6. Light Brightness and °C/°F Conversion Button

- **A:** When you touch this button, the appliance will beep and the chamber will show the light brightness level. If you do not want to change the brightness level, do not touch the control. The display will then switch to temperature after 3 seconds.

If you want to change the brightness level, touch this button once to increase the brightness by one level (level 0 > 1 > 2 > 3 > 0 ...). The display will return to temperature 3 seconds after you finish adjusting. This change will turn off the display lighting at levels 0-2.



0 (OFF)	Turn off the light
1 (Level 1)	33% brightness
2 (Level 2)	66% brightness
3 (Level 3)	100% brightness

When set to level 0/1/2, the display will be on when the door is open. If no button is pressed for 2 minutes, the display will turn off. If you close the glass door once the display is off, the display will remain off. If you close the glass door within 2 minutes, the display will turn off after 10 seconds.

When set to level 3, the display will always be on regardless of whether the door is open or closed.


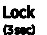
- **B:** Press and hold for 3 seconds to toggle the temperature unit between °C and °F.



7. Lock Button

When the power is turned on and no button is pressed for 1 minute, the lock icon  is displayed and the system automatically enters Lock mode to lock the control panel. The system will not operate when buttons are pressed in Lock mode. The lock icon  will blink 5 times and a buzzer will sound.

Press and hold the lock icon for 3 seconds while in Lock mode. The lock icon  will blink three times and turn off, and the control panel will unlock.



8. + Sabbath Mode

Press and hold the  +  buttons for 3 seconds. The “Sb on” code will be displayed in the window. The system will enter Sabbath operating mode and will run according to the preset temperature with no beeping, button actions, interior light, or door alarm.

Press and hold the  +  button for 3 seconds while in Sabbath mode to exit Sabbath mode. The Sabbath mode stays active for 85 hours once it is activated. After that, it will be deactivated automatically.

9. + Demo Mode

Demo mode is designed for use by retailers when they are displaying wine cellar on a retail floor. In Demo mode, the fan motor and lights operate normally, but the compressors do not run so the wine cellar does not get cold.

- To enter Demo mode, press and hold Lower Chamber Temperature Button  and Lock simultaneously for 3 seconds. The fridge chime sounds and the temperature display shows “oF”.
- To exit Demo mode, press and hold Lower Chamber Temperature Button  and Lock simultaneously for 3 seconds again. The fridge chime sounds and the temperature display shows the current temperature.

Note

If the Lock indicator turns on, you must first deactivate Lock.

Operations

Using Other Functions

The default temperature setting is 54°F (12°C).

The default temperature unit is °F.

The temperature can be set as low as 39°F (4°C) or as high as 64°F (18°C).

The actual temperature inside the appliance may vary depending on ambient temperature, how often the door is opened and how many warm bottles have recently been added to the appliance.

Temperature memory function

In the event of a power interruption, the wine cellar can remember the previous temperature settings, and when the power is restored, the cellar temperature will remain the same as it was when the appliance lost power.

Overtime door open alarm

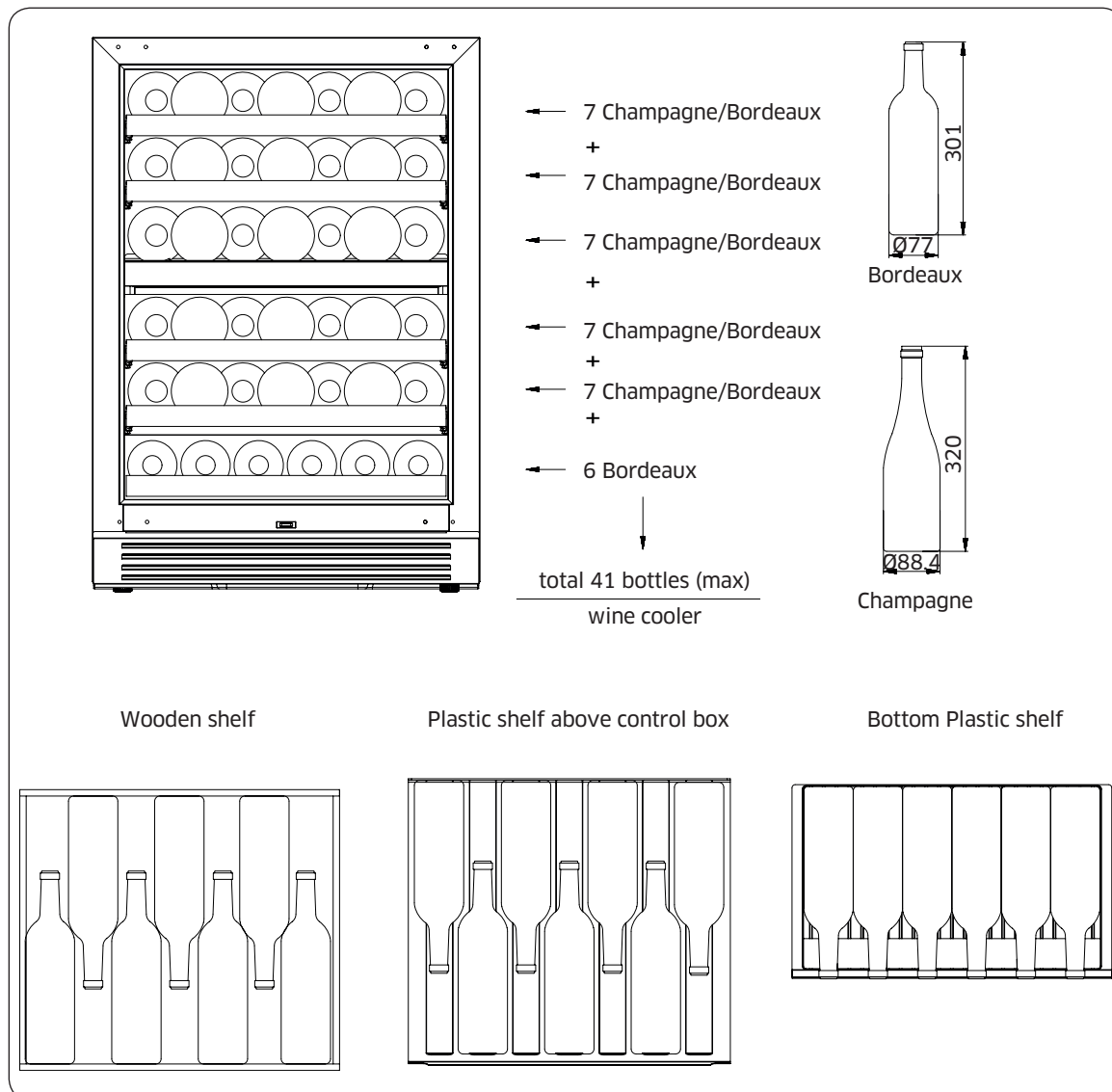
If the door is open for 2 minutes, an alarm will sound.

If the door remains open after the initial alarm, the alarm sounds every minute. The door open alarm sounds from inside the wine cellar.

CAUTION

If the unit is unplugged or power is lost or turned off, you must wait 3 to 5 minutes before restarting the unit. If you attempt to restart before this time delay, the wine cellar will not start. If the cellar is being used for the first time or has not been used for a long time, the temperature will differ from the set temperature shown on the LED display. The temperature will revert back after the cellar has run for a period of time.

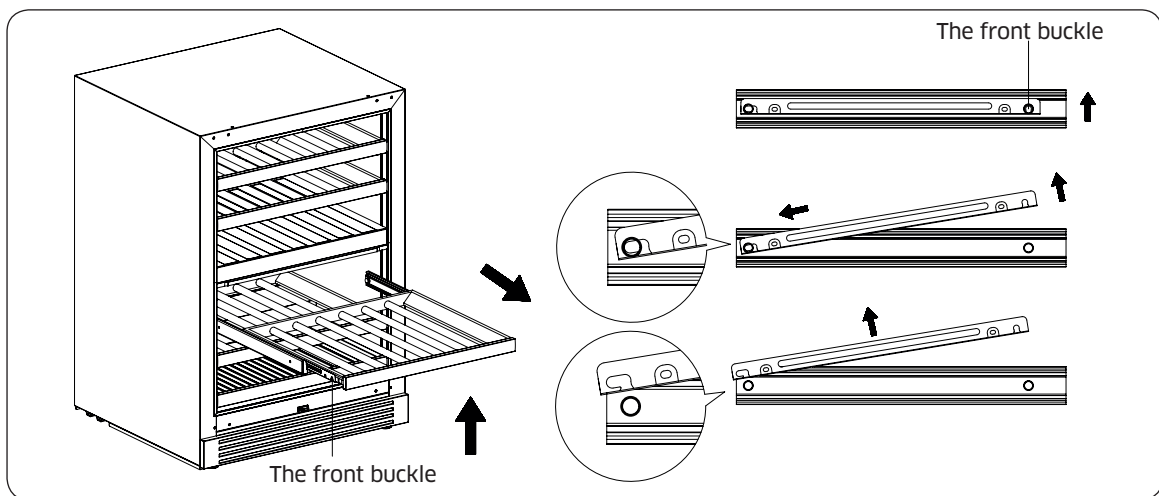
Storage Diagram



Operations

Shelves

- To avoid damaging the door gasket, ensure the door is fully open when pulling shelves out of the cellar.
- To remove wine shelves:
 1. Fully extend the shelf you wish to remove.
 2. Lift the front of the shelf.
 3. Holding the shelf track, push the shelf in, then up to release from the rear dampers.



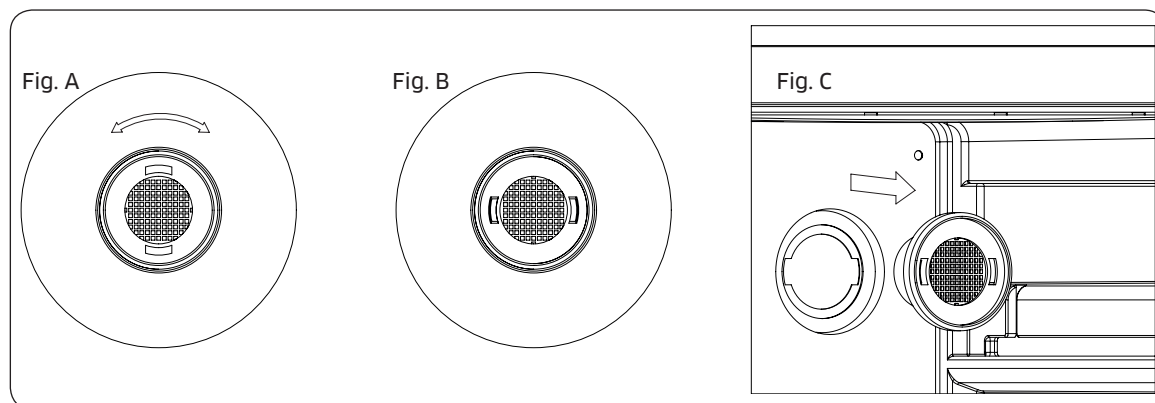
Replacement

Replacing the filter

1. Open the door and remove the shelves. Turn the filter as in Fig. A.
2. Turn the filter to find the notch as in Fig. B.
3. Remove the filter as in Fig. C.
4. Install the new filter.

NOTE

The filter should be replaced every 3-6 months depending on the unit's exposure level to odor. If the unit is placed in the kitchen, regular replacement every 3 months is ideal.



Care and Maintenance

Cleaning

- Turn off the power, unplug the appliance, and remove all items including shelves and rack.
- Wash the inside surfaces with warm water and a mild detergent solution.
- Wash the shelves with a mild detergent solution.
- Drain excess water out of the sponge or cloth when cleaning around the controls or any electrical parts.
- Wash the outside cabinet with warm water and a mild liquid detergent. Rinse well and wipe dry with a clean, soft cloth.

Power Failure

- Most power failures are corrected within a few hours and should not affect the temperature of your appliance if you minimize the number of times the door is opened. If the power is going to be off for a long period of time, ensure you take the proper steps to protect your wine.

Vacation Time

- Short vacations: leave the wine cellar operating during vacations of less than three weeks.
- If the appliance will not be used for several months, remove all items and turn off the appliance. Clean and dry the interior thoroughly. To prevent odor and mold growth, leave the door open slightly, propping it open if necessary.

Moving Your Wine Cellar

- Remove all items.
- Take out the loose items inside the wine cellar (such as shelves), or use foam to hold the loose items in place.
- Turn the adjustable legs up to the base to avoid damage.
- Tape the door shut.
- Be sure the appliance stays secure in the upright position during transportation. Also, protect the appliance exterior with a blanket or similar item.

Energy Saving Tips

- The wine cellar should be located in the coolest area of the room, away from heat-producing appliances, and out of direct sunlight.

Troubleshooting

Troubleshooting Guide

Before calling for service, review the checkpoints below. Any service calls regarding normal situations (No Defect Cases) will be charged to users.

Symptom	Possible causes
The wine cellar does not operate	<ul style="list-style-type: none">• The appliance is not plugged in.• The appliance is turned off.• The circuit breaker is tripped or a fuse is blown.
The wine cellar is not cold enough	<ul style="list-style-type: none">• Check the temperature control setting.• A higher setting may be required depending on the wine cellar's surroundings.• The door is opened too often.• The door is not completely closed.• The door gasket does not seal properly.
Turns on and off frequently	<ul style="list-style-type: none">• The room temperature is hotter than usual.• The cabinet is overloaded.• The door is opened too often.• The door is not completely closed.• The temperature control is not correctly set.• The door gasket does not seal properly.
The light does not work	<ul style="list-style-type: none">• The appliance is not plugged in.• The circuit breaker is tripped or a fuse is blown.• The bulb has burned out.• The light button is "OFF".
Vibrations	<ul style="list-style-type: none">• Check to ensure that the wine cellar is level.
Too much noise	<ul style="list-style-type: none">• A rattling noise may come from the flow of the refrigerant, which is normal.• As each cycle ends, you may hear gurgling.• Contraction and expansion of the inside walls may cause popping and crackling noises.• The wine cellar is not level.
The door will not close properly	<ul style="list-style-type: none">• The wine cellar is not level.• The door was reversed and not properly installed.• The gasket is dirty.• The shelves are out of position.

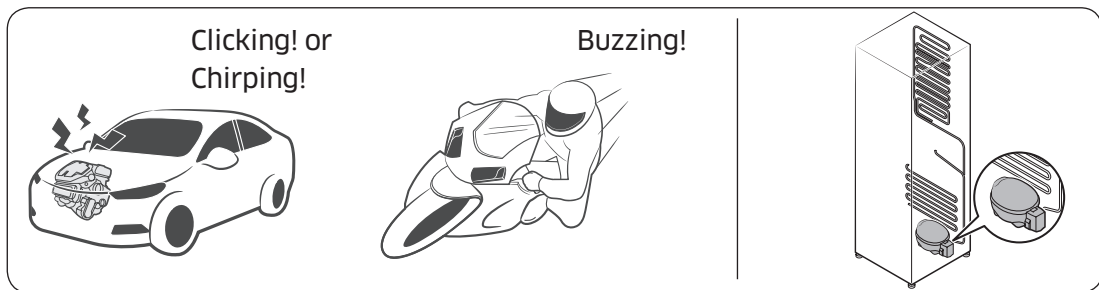
Troubleshooting

Abnormal Sounds

Before calling for service, review the checkpoints below. Any service calls related to normal sounds will be charged to the user.

These sounds are normal.

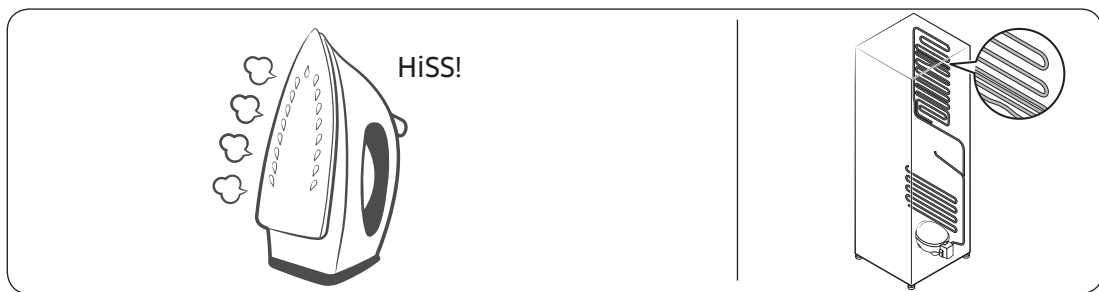
- When starting or ending an operation, the wine cellar may make sounds similar to a car engine starting. As the operation stabilizes, the sounds will decrease.



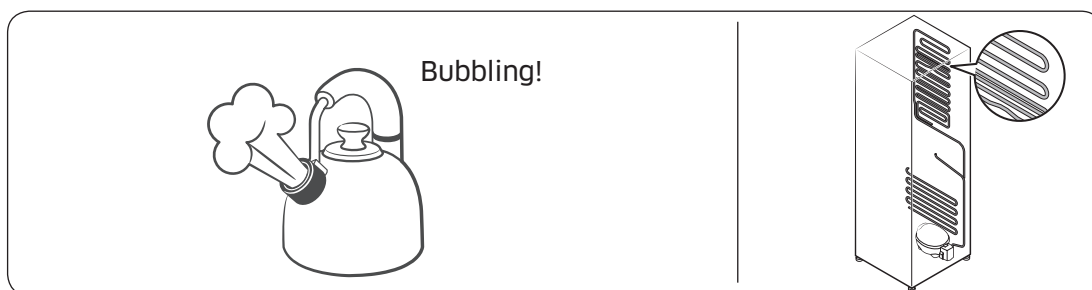
- While the fan is operating, these sounds may occur. When the wine cellar reaches the set temperature, no fan sound should occur.



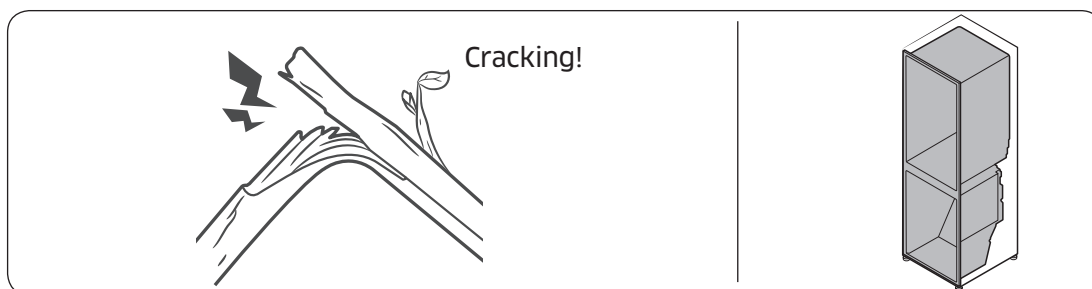
- During a defrost cycle, water may drip on the defrost heater, causing sizzling sounds.



- As the wine cellar cools refrigerant gas moves through sealed pipes, causing bubbling sounds.



- As the wine cellar temperature increases or decreases, plastic parts contract and expand, creating knocking noises. These noises occur during the defrosting cycle or when electronic parts are working.



- Due to pressure equalizing when opening and closing the wine cellar door, whooshing sounds may occur.

Warranty

Customer Service

Before you request help or schedule service:

1. Try the Solutions offered in the Problem–Solution table in the “Troubleshooting” section.
2. Become familiar with the warranty terms and conditions of your product.
3. If none of these tips or suggestions resolves your problem, visit dacor.com or call our Customer Service center at (833) 353-5483 (United States), (844) 509-4659 (Canada)

United States - Warranty

CERTIFICATE OF WARRANTY ON DACOR REFRIGERATOR - UNITED STATES:

FULL TWO-YEAR WARRANTY

This warranty covers any defects in materials or workmanship in the Dacor-branded new appliance purchased from a Dacor Authorized Dealer or other seller authorized by Dacor.

This full warranty runs for two years starting from the date of delivery or closing date for new construction, whichever period is longer. Dacor will repair or replace your product.

LIMITED WARRANTY

After the Full Warranty period has ended, this product is warranted against defects in materials or workmanship reported to us during the applicable warranty periods as follows:

Years 3–6 of your ownership - Parts and Labor on Sealed System	For the third through sixth years of your ownership, we will pay for factory specified parts and repair labor costs to correct defects in materials or workmanship in the sealed refrigeration system (the compressor, evaporator, condenser, dryer and connecting tubing).
Years 7-10 of your ownership - Parts only on the Sealed System	For the seventh through tenth years of your ownership, we will pay for factory-specified parts only to correct defects in the sealed refrigeration system.
Years 7-10 of your ownership - Parts only on the Compressor	For the seventh through tenth years of your ownership, we will pay for factory-specified parts only to correct defects in the compressor.

Cosmetic Defects. In addition, for 60 days from the date of delivery, your product is warranted to be free from cosmetic defects in material and workmanship (such as scratches of stainless steel, paint/porcelain blemishes, chip, dents, or other damage to the finish). Color variations are excluded, and display, floor-model, “as-is” or refurbished products are specifically excluded.

COVERAGE LIMITATIONS

Service will be provided by a Dacor designated service company during regular business hours. Please note service providers are independent entities and are not agents of Dacor.

The owner must provide proof-of-purchase, proof of delivery, and/or a closing statement for new construction upon request. All Dacor products must be accessible for service.

Warranty will be null and void on product that has altered, defaced, or missing serial numbers and tags.

Warranty is null and void if non-CSA approved product is transported from the U.S.A.

Warranty

WHAT IS NOT COVERED

<ul style="list-style-type: none"> • Due to differences in painted parts, kitchen lighting, product placement, and other factors; this warranty does not apply to color variation. 	<ul style="list-style-type: none"> • Service calls to educate the customer on proper use and care of the product.
<ul style="list-style-type: none"> • Service fees for travel to islands and remote areas, which include but are not limited to, ferries, toll roads, or other travel expenses. 	<ul style="list-style-type: none"> • Consequential or incidental damage, including but not limited to: food or medicine loss, time away from work, or restaurant meals.
<ul style="list-style-type: none"> • Commercial, business, or rental use, or any application other than residential consumer use. 	<ul style="list-style-type: none"> • Failure of the product caused by improper product installation.
<ul style="list-style-type: none"> • Replacement of house fuses, fuse boxes, or resetting of circuit breakers. 	<ul style="list-style-type: none"> • Damage caused by accident, fire, flood, power interruption, power surges, or acts of God.
<ul style="list-style-type: none"> • Liability or responsibility for damage to surrounding property including cabinetry, floors, ceilings and other structures or objects. 	<ul style="list-style-type: none"> • Breakage, discoloration or damage to glass, metal surfaces, plastic components, trim, paint, or other cosmetic finish caused by improper usage, care, abuse, or neglect.
<ul style="list-style-type: none"> • Except as noted above, consumable parts such as filters and light bulbs are not covered and are the responsibility of the purchaser. 	

THE REMEDIES PROVIDED IN THE ABOVE EXPRESS WARRANTIES ARE THE SOLE AND EXCLUSIVE REMEDIES. THEREFORE, NO OTHER EXPRESS WARRANTIES ARE MADE, AND OUTSIDE THE FIFTY STATES OF THE UNITED STATES AND CANADA, ALL IMPLIED WARRANTIES, INCLUDING BUT NOT LIMITED TO, ANY IMPLIED WARRANTY OF MERCHANTABILITY OR FITNESS FOR A PARTICULAR USE OR PURPOSE, ARE LIMITED IN DURATION TO ONE YEAR FROM THE DATE OF ORIGINAL PURCHASE. IN NO EVENT SHALL DACOR BE LIABLE FOR INCIDENTAL EXPENSE OR CONSEQUENTIAL DAMAGES. IN THE EVENT DACOR PREVAILS IN ANY LAWSUIT, DACOR SHALL BE ENTITLED TO REIMBURSEMENT OF ALL COSTS AND EXPENSES, INCLUDING ATTORNEY'S FEES, FROM THE DACOR CUSTOMER. NO WARRANTIES, EXPRESS OR IMPLIED, ARE MADE TO ANY BUYER FOR RESALE.

Some states do not allow limitations on how long an implied warranty lasts, or do not allow the exclusion or limitation of inconsequential damages, therefore the above limitations or exclusions may not apply to you. This warranty gives you specific legal rights, and you may also have other rights that vary from state-to-state.

Warrantor: Samsung Electronics America, Ridgefield Park, NJ, 07660

Warranty

CANADA – Warranty

CERTIFICATE OF WARRANTY ON DACOR REFRIGERATOR - CANADA:

This Limited Warranty covers only those Products supplied and distributed in Canada by us and delivered new, in the original carton or packaging, to the original consumer purchaser that are purchased from an authorized reseller or distributor, except as otherwise stated herein. Except where prohibited by applicable provincial law, only the original consumer purchaser of the Product has any rights under this Limited Warranty and this Limited Warranty may not be transferred or assigned.

Any additional statements such as dealer advertising or presentation, whether oral or written, that make additional warranties or modifications to this Limited Warranty do not constitute warranties by us and should not be relied upon.

1. WHAT IS COVERED AND FOR HOW LONG

We warrant to the original purchaser (“Purchaser”) that your Dacor Refrigerator purchased from an authorized reseller or distributor in Canada (the “Products”) is free from defects in material and workmanship encountered in normal use for the warranty period identified below, effective as of the date of purchase or closing date for new construction, whichever period is longer.

Dacor Product or Part	Warranty Period and Warranty Coverage
Refrigerator	Two (2) Years: Parts and Labour
Refrigerator Sealed System (compressor, evaporator, condenser, dryer and connecting tubing)	Six (6) Years: Parts and Labour
Refrigerator Sealed System (compressor, evaporator, condenser, dryer and connecting tubing)	Ten (10) Years: Parts Only
Refrigerator Compressor	Ten (10) Years: Parts Only

Cosmetic Defects. For sixty (60) days from the date of purchase, the Product is warranted to be free from cosmetic defects in material and workmanship (such as scratches of stainless steel, paint/porcelain blemishes, chip, dents, or other damage to the finish). Color variations are excluded, and display, floor-model, “as-is” or refurbished products are specifically excluded.

2. COVERAGE LIMITATIONS

If the Product fails to operate according to the Product's specifications during the applicable warranty period and the failure is due to improper workmanship or defective material, we will repair or replace, at our sole option, and without charge to the Purchaser, the Product or any defective component part of the Product. We may, at our sole option, use rebuilt, reconditioned, or new parts or components when repairing any Product. If the same model Product or part is not available for replacement, we may, at our sole option, replace the Product or part with any rebuilt, refurbished, reconditioned or new Product or part of similar utility and value to the Product or part being replaced.

We expressly reserve the exclusive right, at our sole option, and in lieu of any service, repair or replacement of a Product under this Limited Warranty, to offer the Purchaser a partial refund of the original purchase price paid by the Purchaser for that Product (a "Partial Refund"). The amount of any Partial Refund to be offered shall be determined in our discretion based on the fair market value of the Product given its age and condition. If Purchaser accepts that offer of a Partial Refund, the Purchaser shall be deemed to have released us from any claim or liability whatsoever under this Limited Warranty or under any other applicable express or implied warranty or condition in respect of that Product.

All repaired parts or replaced Products will be warranted for a period equal to the remainder of the original Limited Warranty on the original Product or for 90 days, whichever is longer.

3. WHAT IS NOT COVERED

The remedies provided for in this Limited Warranty are available only within Canada.

This Limited Warranty does not cover any defect, malfunction, failure or damage caused by or resulting from any of the following:

(a) removal, installation, re-installation, maintenance, or service of the Product that was not authorized by us; (b) accident, fire, flood, power interruption, power surges, incorrect line voltage or supply or electrical current, fuses, house wiring, circuit breakers, connectors not supplied by us, unusual electrical or electromechanical stress, acts of God, or acts of nature; (c) misuse, abuse, neglect, mishandling, misapplication, alteration or modification of the Product or any part of the Product; (d) use of the Product in conjunction with products, equipment, utilities, services, parts, supplies, accessories, applications, external wiring, connectors, or ancillary or peripheral equipment not supplied or authorized by us; (e) uses for which the Product was not intended.

Warranty

Further, this Limited Warranty does not cover: (i) any Product or part from which the serial number has been removed or on which the serial number has been made illegible. Removing the serial number on any Product or rendering it illegible on any Product will immediately void the Limited Warranty for that Product; (ii) any damage whatsoever that occurs during shipment of the Product once the Product has been accepted by the Purchaser; (iii) any damage whatsoever resulting from any failure to follow operating, maintenance or environmental instructions contained in any instruction booklet or owner's manual available in connection with the Product; (iv) service fees for travel to islands and remote areas, which include but are not limited to, ferries, toll roads, or other travel expenses; (v) replacement of house fuses, fuse boxes, or resetting of circuit breakers; (vi) liability or responsibility for damage to surrounding property including cabinetry, floors, ceilings and other structures or objects; (vii) the cost of service calls for instructions, for the correction of installation errors, for customer adjustments that are explained in the Product owner's manual, or where the Product operates according to the Product's specifications. There may be a service charge for service calls made for issues not covered under this Limited Warranty; (viii) breakage, discoloration or damage to glass, metal surfaces, plastic components, trim, paint, or other cosmetic finish caused by improper usage, care, abuse, or neglect; (ix) except as noted above, consumable parts such as filters and light bulbs are not covered and are the responsibility of the Purchaser; (x) commercial, business, or rental use, or any application other than residential consumer use; (xi) colour variation due to differences in painted parts, kitchen lighting, product placement, and other factors;

We do not warrant or guarantee uninterrupted or error-free operation of the Product.



4. WHAT ARE THE LIMITATIONS ON IN-HOME WARRANTY SERVICE?

In-home service is subject to availability, and it is not available in all areas of Canada. In-home service will only be provided if the Product is unobstructed and easily accessible from floor level to service personnel. If repair cannot be completed during in-home service or if in-home service is not available in your area, you may be directed to deliver the Product to a Dacor Authorized Service Center for warranty service. The cost of transportation of the Product to and from a Dacor Authorized Service Centre shall be paid by the Purchaser unless we elect to provide that transportation at our discretion.

To receive in-home service, the Purchaser must first contact Dacor Customer Care for problem determination and service procedures. All in-home warranty repairs must be performed by a Dacor Authorized Service Center. Valid proof of purchase must be presented to us at the time that service is requested and before warranty services are rendered.

When in-home service is not available, the Purchaser must return the Product to a Dacor Authorized Service Center for analysis. Assistance on where to deliver the Product can be obtained by contacting our Customer Service center. The cost of transporting the Product to or from the Authorized Service Center must be paid by the Purchaser.

5. WHAT ARE THE LIMITS OF OUR LIABILITY?

EXCEPT AS EXPRESSLY SET FORTH IN THIS LIMITED WARRANTY, OUR LIABILITY IS SUBJECT TO THE FOLLOWING LIMITATIONS:

(A) THE PURCHASER TAKES THE PRODUCT "AS IS" AND WE MAKE NO WARRANTY OR REPRESENTATION OF ANY KIND WHATSOEVER WITH RESPECT TO THE PRODUCT.

(B) THERE ARE NO CONDITIONS, EXPRESS OR IMPLIED, STATUTORY OR OTHERWISE, WITH RESPECT TO THE PRODUCT

(C) IN PARTICULAR, AND WITHOUT LIMITING THE GENERALITY OF THE FOREGOING PARAGRAPHS (A) AND (B), WE MAKE NO WARRANTY, CONDITION OR REPRESENTATION AS TO ANY OF THE FOLLOWING: (i) THE MERCHANTABILITY OF THE PRODUCT OR ITS FITNESS FOR ANY PARTICULAR PURPOSE OR USE; (ii) TITLE OR NON-INFRINGEMENT; (iii) DESIGN, CONDITION, QUALITY, OR PERFORMANCE OF THE PRODUCT; (iv) THE WORKMANSHIP OF THE PRODUCT OR THE COMPONENTS CONTAINED THEREIN; (v) COMPLIANCE OF THE PRODUCT WITH THE REQUIREMENTS OF ANY LAW, RULE, SPECIFICATION OR CONTRACT PERTAINING TO THE PRODUCT.

(D) NOTHING CONTAINED IN ANY INSTRUCTION MANUAL OR OWNER'S MANUAL SHALL BE CONSTRUED TO CREATE AN EXPRESS WARRANTY OF ANY KIND WHATSOEVER WITH RESPECT TO THE PRODUCT.



Warranty

THE PROVISIONS FOUND IN PARAGRAPHS (E) AND (F) BELOW DO NOT APPLY IN CIRCUMSTANCES WHERE THIS LIMITED WARRANTY IS GOVERNED BY THE LAWS OF THE PROVINCE OF QUEBEC.

(E) ALL IMPLIED WARRANTIES AND CONDITIONS THAT MAY ARISE BY OPERATION OF LAW, INCLUDING ANY APPLICABLE IMPLIED WARRANTY OR CONDITION OF MERCHANTABILITY OR FITNESS FOR A PARTICULAR PURPOSE, ARE HEREBY LIMITED TO THE SAME DURATION OF TIME AS THIS LIMITED WARRANTY. SOME PROVINCES PROHIBIT LIMITATIONS ON HOW LONG AN IMPLIED WARRANTY LASTS, AND THE LIMITATION ON THE DURATION OF THE IMPLIED WARRANTY WILL NOT APPLY TO THE EXTENT THAT THE LIMITATION IS PROHIBITED BY APPLICABLE PROVINCIAL LAW.

(F) WE SHALL NOT BE LIABLE FOR DAMAGES OF ANY KIND (INCLUDING, WITHOUT LIMITATION, ANY INCIDENTAL, SPECIAL, CONSEQUENTIAL OR SIMILAR DAMAGES) THAT RESULT OR ARISE DIRECTLY OR INDIRECTLY FROM ANY OF THE FOLLOWING: (i) THE PURCHASE, USE, OR MISUSE OF THE PRODUCT; (ii) ANY LOSS OF USE OF THE PRODUCT OR INABILITY TO USE THE PRODUCT; (iii) ANY BREACH OF THE EXPRESS WARRANTY; (iv) ANY LOSS OF ANTICIPATED PROFITS OR BENEFITS; (v) ANY LOSS OF FOOD OR CONSUMABLES; (vi) ANY TORT (INCLUDING NEGLIGENCE OR GROSS NEGLIGENCE) OR FAULT COMMITTED BY US, ITS AGENTS OR EMPLOYEES; (vii) ANY BREACH OF CONTRACT; (viii) ANY CLAIM BROUGHT AGAINST THE PURCHASER BY ANY OTHER PARTY. SOME PROVINCES PROHIBIT THE EXCLUSION OR LIMITATION OF INCIDENTAL OR CONSEQUENTIAL DAMAGES, AND THE ABOVE EXCLUSION OF INCIDENTAL OR CONSEQUENTIAL DAMAGES WILL NOT APPLY TO THE EXTENT THAT THE EXCLUSION IS PROHIBITED BY APPLICABLE PROVINCIAL LAW.

(G) THIS WARRANTY GIVES YOU SPECIFIC LEGAL RIGHTS, AND YOU MAY ALSO HAVE OTHER RIGHTS, WHICH VARY FROM PROVINCE TO PROVINCE. THIS LIMITED WARRANTY STATES THE PURCHASER'S EXCLUSIVE REMEDY. EXCEPT WHERE PROHIBITED BY APPLICABLE PROVINCIAL LAW, THIS LIMITED WARRANTY IS NOT TRANSFERABLE WITHOUT OUR EXPRESS CONSENT.

(H) IF ANY PORTION OF THIS LIMITED WARRANTY IS HELD ILLEGAL OR UNENFORCEABLE BY REASON OF ANY LAW, SUCH PARTIAL ILLEGALITY OR UNENFORCEABILITY SHALL NOT AFFECT THE ENFORCEABILITY FOR THE REMAINDER OF THIS LIMITED WARRANTY.

If the Product is purchased from a non-authorized reseller or distributor or purchased outside of Canada, this Limited Warranty does not apply except that the above limitations specified in Sections 5(A) through 5(I) shall apply.

Warrantor in Canada: Samsung Electronics Canada Inc., Mississauga, ON, L5N 0B9 Canada

**OUTSIDE THE UNITED STATES AND CANADA:
LIMITED FIRST YEAR WARRANTY**

If your Dacor product fails to function within one year of the original date of purchase due to a defect in material or workmanship, Dacor will furnish a new part, F.O.B. factory to replace the defective part.

All delivery, installation, labor costs, and other service fees are the responsibility of the purchaser.

Contact Dacor

If you have any questions or comments relating to Dacor appliances, please contact the Dacor Customer Service Center.

Country	Contact Center	Web Site
U.S.A	1-833-353-5483	www.dacor.com
CANADA	1-844-509-4659	www.dacor.com



DRW24_UM_Rev01_EN+ES+FR

dacor[®]

Manual del usuario

Cava bajo encimera

DRW24G7500**



Contenido

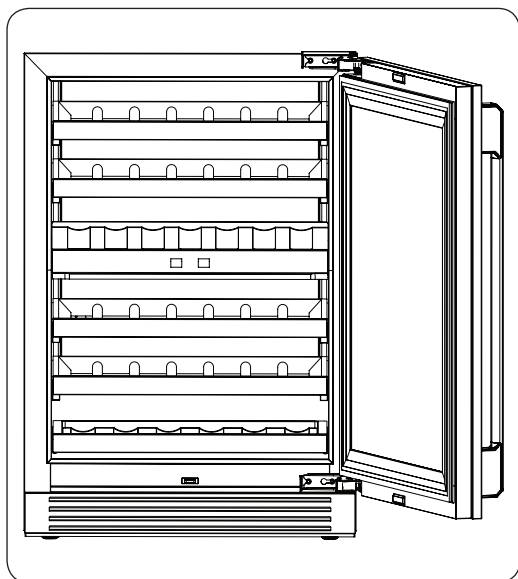
Información importante	4
Antes de comenzar	4
Información sobre seguridad	5
Símbolos y advertencias de seguridad importantes:	6
Advertencias de la Proposición 65 del Estado de California	6
Precauciones de seguridad importantes	6
Señales de advertencia importantes para el transporte y el emplazamiento	7
Advertencias críticas para la instalación	8
Precauciones para la instalación	10
Advertencias muy importantes para el uso	11
Precauciones de uso	13
Precauciones para la limpieza	14
Advertencias muy importantes para el desecho del producto	15
Antes de desechar el electrodoméstico	15
Antes de usar la cava	16
Instalación de la cava	16
Atención	17
Límites de temperatura ambiente	17
Elementos incluidos	18
Partes internas, almacenamiento y estantes	18
Funcionamiento	19
Panel de control	19
Uso de otras funciones	22
Diagrama de almacenamiento	23
Estantes	24
Reemplazo	25

Cuidado y mantenimiento	26
Limpieza	26
Falla energética	26
Vacaciones	26
Cómo trasladar la cava	26
Consejos para el ahorro de energía	26
Solución de problemas	27
Guía de solución de problemas	27
Sonidos anormales	28
Garantía	30
Estados Unidos - Garantía	30
CANADÁ - Garantía	34

Información importante

Antes de comenzar

Información importante



Instalador

- Conserve las instrucciones de uso y cuidado junto con el electrodoméstico.

Cliente

- Lea este manual de uso y cuidado en su totalidad antes de utilizar la cava. Guárdelo para futura referencia.

- El diseño general y/o los accesorios pueden diferir según el modelo.

Conserve el recibo de compra o el cheque cancelado. Se requiere la prueba de compra original con fecha para recibir el servicio de garantía.

Tenga a mano la identificación completa del modelo y el número de serie.

Estos números se encuentran en una etiqueta en la pared interna de la cava. Escriba estos números a continuación para que pueda disponer de ellos fácilmente.

Número de modelo	
Número de serie	
Fecha de compra	

Información sobre seguridad

- Antes de utilizar su nueva cava Dacor, lea detenidamente este manual a fin de aprender a usar las funciones que ofrece de manera segura y eficiente.
- Este electrodoméstico no debe ser utilizado por personas (incluidos niños) con capacidades mentales, sensoriales o físicas reducidas, o por personas que carezcan de experiencia y de conocimientos, a menos que se encuentren bajo supervisión o hayan recibido las instrucciones de uso por parte de un responsable de su seguridad. Se deberá vigilar a los niños para asegurarse de que no jueguen con el electrodoméstico.
- Debido a que las siguientes instrucciones corresponden a diversos modelos, es posible que las características de su cava difieran ligeramente de las que se describen en este manual.
- Es peligroso que una persona que no sea un técnico de servicio autorizado realice tareas de reparación en este electrodoméstico.
- Si el refrigerante sale por los tubos, podría incendiarse o causarle lesiones en los ojos. Si hay una fuga de refrigerante del tubo, manténgalo alejado de las llamas, aparte cualquier material inflamable del producto y ventile el lugar de inmediato.
 - De lo contrario, podría producirse un incendio o una explosión.

ADVERTENCIA

- Se utiliza R-600a como refrigerante. Este producto contiene gas inflamable (Refrigerante R-600a). Comuníquese con las autoridades locales para desechar este producto en forma segura.
- Para evitar la creación de una mezcla de gas-aire inflamable en caso de una fuga en el circuito del refrigerante, las dimensiones de la ubicación en la que se coloca el refrigerador dependen de la cantidad de refrigerante utilizado. El lugar debe tener 35.3 pies³ por cada 8 g de refrigerante R-600a en el electrodoméstico.
- La ubicación de instalación no debe estar expuesta a la luz solar directa ni cerca de ningún electrodoméstico o fuente de calor, tales como estufas, hornos, radiadores, etc.
- Si coloca dos productos uno junto al otro, por razones de seguridad, asegúrese de utilizar productos certificados en atmósferas de gas explosivas.
- Nunca debe poner en marcha un electrodoméstico que presente signos de haber sido dañado. Si tiene alguna inquietud, consulte a su distribuidor.



Advertencia: riesgo de incendio/materiales inflamables



Información sobre seguridad

Símbolos y advertencias de seguridad importantes:

Siga todas las instrucciones de seguridad del presente manual. En el presente manual se utilizan los siguientes símbolos de seguridad.

ADVERTENCIA

Riesgos o prácticas inseguras que pueden causar lesiones personales graves, daños materiales y/o incluso la muerte.

PRECAUCIÓN

Riesgos o prácticas inseguras que pueden causar lesiones personales graves y/o daños materiales.

NOTA

Información útil que ayuda a los usuarios a comprender u obtener beneficios de la cava.

Estas señales de advertencia se incluyen aquí para evitar que usted o terceros sufran lesiones.

Sígalas atentamente.

Después de leer esta sección, consérvela en un lugar seguro para referencia futura.

Advertencias de la Proposición 65 del Estado de California

ADVERTENCIA

Cáncer y afecciones reproductivas - www.P65Warnings.ca.gov.

Precauciones de seguridad importantes

ADVERTENCIA

- Llene únicamente con agua potable.
- Mantenga libres de obstrucciones las aberturas de ventilación del gabinete o la estructura incorporada del electrodoméstico.
- No utilice dispositivos mecánicos ni ningún otro medio para acelerar el proceso de descongelamiento que no sean aquellos recomendados por el fabricante.
- No dañe el circuito del refrigerante.
- No utilice artefactos eléctricos dentro de los compartimientos de almacenamiento de alimentos del electrodoméstico, a menos que sean del tipo recomendado por el fabricante.
- Conéctelo solamente a un suministro de agua potable.



ADVERTENCIA

- Existe el riesgo de que los niños queden encerrados. Antes de desechar su antiguo refrigerador o congelador:
 - Retire las puertas.
 - Deje los estantes en su lugar de manera tal que los niños no puedan trepar fácilmente.

PRECAUCIÓN

- Riesgo de incendio o explosión. Se utiliza refrigerante inflamable. No utilice dispositivos mecánicos para descongelar el refrigerador. No perforo la tubería del refrigerante.
- Riesgo de incendio o explosión. Se utiliza refrigerante inflamable. Reparación únicamente por parte de personal de servicio técnico capacitado. No perforo la tubería del refrigerante.
- Riesgo de incendio o explosión. Se utiliza refrigerante inflamable. Consulte el Manual de reparación/Guía del propietario antes de intentar reparar este producto. Deben cumplirse todas las precauciones de seguridad.
- Riesgo de incendio o explosión. Deseche de acuerdo con las regulaciones federales y locales. Se utiliza refrigerante inflamable.
- Riesgo de incendio o explosión por perforación de los tubos de refrigerante; siga las instrucciones de manejo cuidadosamente. Se utiliza refrigerante inflamable.
- Para prevenir que los niños queden encerrados, manténgalo fuera del alcance de los niños y lejos del congelador o refrigerador.

Este electrodoméstico está diseñado para uso doméstico y en lugares como

- zonas de cocina de tiendas, oficinas y otros entornos de trabajo;
- granjas y zonas de uso de los clientes en hoteles, moteles u otros entornos de tipo residencial;
- hospederías;
- banqueterías y eventos en instalaciones no minoristas similares.

Señales de advertencia importantes para el transporte y el emplazamiento

ADVERTENCIA

- Al transportar e instalar el electrodoméstico, deberá tener cuidado de no dañar ninguna de las piezas del circuito del refrigerante.
 - La fuga de refrigerante del tubo podría incendiarse o dañarle los ojos. Si se detecta una fuga, manténgalo alejado de las llamas o de posibles fuentes de ignición y ventile durante varios minutos el ambiente en el que se encuentra la unidad.
 - El electrodoméstico contiene una pequeña cantidad de refrigerante de isobutano (R-600a), un gas natural con alta compatibilidad ambiental, pero también inflamable.



Información sobre seguridad

Advertencias críticas para la instalación

ADVERTENCIA

- No instale la cava en un lugar húmedo o donde pueda entrar en contacto con agua.
 - El aislamiento deficiente de las piezas eléctricas puede provocar una descarga eléctrica o un incendio.
- No exponga esta cava a la luz solar directa ni al calor de estufas, calefactores u otros electrodomésticos.
- No enchufe varios electrodomésticos en la misma toma. La cava debe conectarse siempre a un tomacorriente individual cuyo voltaje nominal coincida con el que se especifica en la placa de voltaje de la cava.
 - De esta manera se obtiene el mejor desempeño y también se evita que se sobrecarguen los circuitos del cableado de la casa, lo que podría sobrecalentar los cables y provocar un riesgo de incendio.
- Si el tomacorriente está flojo, no conecte el enchufe.
 - Existe el riesgo de que se produzca una descarga eléctrica o un incendio.
- No utilice un cable de alimentación que esté dañado o gastado en su extensión o en cualquiera de los extremos.
- No doble en exceso el cable de alimentación ni le coloque objetos pesados encima.
- No jale el cable de alimentación ni lo doble en exceso.
- No retuerza ni amarre el cable de alimentación.
- No coloque el cable de alimentación sobre un objeto metálico, no lo coloque entre objetos ni lo empuje hacia el espacio que hay detrás del electrodoméstico.
- Nunca desenchufe la cava jalando el cable de alimentación. Siempre sostenga el enchufe con firmeza y jale para extraerlo del tomacorriente.
 - Los daños al cable pueden provocar un cortocircuito, un incendio o una descarga eléctrica.
- No almacene sustancias explosivas como latas de aerosoles con gases propelentes inflamables en este electrodoméstico.
- No instale este electrodoméstico cerca de materiales inflamables.
- No instale este electrodoméstico en un lugar donde pueda haber fugas de gas.
 - Esto podría causar una descarga eléctrica o un incendio.
- Antes de usarse, la cava debe ubicarse e instalarse de manera apropiada de acuerdo con las instrucciones de este manual.
- Conecte el enchufe en la posición correcta con el cable colgando hacia abajo.
 - Si conecta el enchufe al revés, el cable puede cortarse y provocar un incendio o una descarga eléctrica.
- Asegúrese de que el enchufe no esté aplastado ni haya sido dañado por la parte posterior de la cava.



- Mantenga los materiales de empaque fuera del alcance de los niños.
 - Existe el riesgo de muerte por asfixia si un niño se coloca los materiales de empaque en la cabeza.
- El electrodoméstico debe colocarse de manera tal que se pueda acceder al enchufe después de la instalación.
 - No seguir esta recomendación puede causar una descarga eléctrica o un incendio debido a una fuga de electricidad.
- No instale este electrodoméstico en un lugar húmedo, engrasado o sucio, o en un sitio con exposición directa al sol o al agua (lluvia).
 - El aislamiento deficiente de las piezas eléctricas puede provocar una descarga eléctrica o un incendio.
- Si ingresaran grandes cantidades de polvo o agua a la cava, apague el interruptor de encendido y comuníquese con el centro de servicio de Dacor.
 - De lo contrario, existe el riesgo de que se produzca un incendio.
- Es necesario quitar toda la película plástica protectora antes de enchufar el producto por primera vez.
- Se deberá vigilar a los niños para asegurarse de que no jueguen con los anillos elásticos utilizados para el ajuste de la puerta o con las grapas del tubo de agua.
 - Existe riesgo de muerte por asfixia si un niño se traga un anillo elástico o una grapa del tubo de agua. Mantenga los anillos elásticos y las grapas del tubo de agua fuera del alcance de los niños.
- La cava debe estar conectada a tierra de manera segura.
 - Siempre asegúrese de haber conectado la cava a tierra antes de intentar examinar o reparar alguna pieza. Las fugas de energía pueden provocar una descarga eléctrica grave.
- Nunca utilice como conexión a tierra tubos de gas, líneas telefónicas ni otras posibles fuentes de atracción de rayos.
 - La cava debe estar conectada a tierra para evitar cualquier fuga de energía o descarga eléctrica provocada por fugas de corriente de la cava.
 - Esto podría causar descargas eléctricas, incendios, explosiones o problemas con el producto.
 - El uso inapropiado de la conexión a tierra puede generar un riesgo de descarga eléctrica. Si necesita usar un cable de extensión, use solo uno de 3 hilos con un enchufe que tenga una tercera clavija para el polo a tierra; el tomacorriente deberá tener 3 ranuras para adaptarse al enchufe del electrodoméstico. La potencia indicada en el cable de extensión debe ser CA 115-120 V, 10 A o superior. Si se utiliza un adaptador de tierra, asegúrese de que el receptáculo esté conectado correctamente a tierra.
- Conecte bien el enchufe al tomacorriente. No utilice enchufes ni cables de alimentación dañados ni un tomacorriente flojo.
 - Esto podría causar una descarga eléctrica o un incendio.
- Si el cable de alimentación está dañado, solicite su reemplazo de inmediato al fabricante o a uno de los agentes de servicio técnico.



Información sobre seguridad

- Solo se debe permitir que un técnico calificado o una compañía de reparaciones cambie el fusible de la cava.
 - No seguir esta recomendación, podría causar una descarga eléctrica o lesiones.
- Debe poder accederse a la toma de pared con facilidad para que el electrodoméstico pueda desenchufarse rápidamente en caso de emergencia.
- Debe encontrarse fuera de la zona trasera del electrodoméstico.
- Cuando instale el electrodoméstico, asegúrese de que el cable de alimentación no esté atrapado ni dañado.
- No coloque varios tomacorrientes o fuentes de alimentación en la parte posterior del electrodoméstico.
- Mantenga libres de obstrucciones las aberturas de ventilación del gabinete o la estructura incorporada del electrodoméstico.
- Para evitar riesgos por inestabilidad del electrodoméstico, debe instalarse de acuerdo con las instrucciones.

Precauciones para la instalación

PRECAUCIÓN

- Deje espacio suficiente alrededor de la cava e instálela sobre una superficie plana.
 - Mantenga libre de obstrucciones las aberturas de ventilación del gabinete o la estructura de montaje del electrodoméstico.
- Una vez que haya instalado la cava y la haya encendido, permita que funcione durante 2 horas antes de cargarla de vinos.
- Se recomienda que la cava sea instalada por un técnico calificado o una compañía de servicios.
 - De lo contrario, se podrían provocar descargas eléctricas, incendios, explosiones, problemas con el producto o lesiones.



Advertencias muy importantes para el uso

ADVERTENCIA

- No conecte el enchufe en un tomacorriente con las manos mojadas.
 - Esto podría causar una descarga eléctrica.
- No coloque objetos en la parte superior del electrodoméstico.
 - Cada vez que abra o cierre la puerta, estos podrían caerse y provocar lesiones personales o daños materiales.
- No coloque las manos, los pies ni objetos metálicos (como palillos, etc.) en la parte inferior o posterior de la cava.
 - Esto podría causar una descarga eléctrica o lesiones personales.
 - Algunos bordes filosos podrían provocar lesiones personales.
- No coloque un recipiente con agua sobre la cava.
 - Si se derrama, existe el riesgo de que se produzca un incendio o una descarga eléctrica.
- No almacene sustancias u objetos volátiles o inflamables (benceno, solvente, gas propano, alcohol, éter, gas LP ni cualquier otro producto de este tipo) en la cava.
 - Esta cava se debe utilizar solo para almacenar vinos.
 - Esto podría causar un incendio o una explosión.
- Se deberá vigilar a los niños para asegurarse de que no jueguen con el electrodoméstico.
 - Aleje los dedos de los puntos de agarre. Los espacios entre las puertas y el gabinete son inevitablemente pequeños. Abra las puertas con cuidado si hay niños cerca.
- No permita que los niños se cuelguen de la puerta. Pueden producirse lesiones graves.
- No permita que los niños ingresen a la cava. Podrían quedar atrapados.
- No coloque las manos debajo del electrodoméstico.
 - Es posible que algunas puntas filosas le provoquen lesiones.
- No almacene en la cava productos farmacéuticos, materiales científicos ni productos sensibles a la temperatura.
 - No se deben almacenar en la cava productos que requieran controles estrictos de temperatura.
- No coloque ni utilice aparatos eléctricos dentro de la cava, a menos que sean del tipo recomendado por el fabricante.
- En caso de sentir olor a humo, apague el interruptor de encendido de inmediato y comuníquese con el centro de servicio de Dacor.
- Si ingresaran grandes cantidades de polvo o agua a la cava, apague el interruptor de encendido y comuníquese con el centro de servicio de Dacor.
 - De lo contrario, existe el riesgo de que se produzca un incendio.
- No deje abierta la puerta de la cava si no está siendo vigilada y no permita que los niños ingresen en la cava.
 - Esto puede provocar muerte por asfixia debido al encierro o lesiones personales.



Información sobre seguridad

- No sobrecargue la cava con vinos.
 - Cuando abra la puerta, algún elemento podría caerse y provocar lesiones personales o daños materiales.
- No pulverice materiales volátiles, tales como insecticidas, sobre la superficie del electrodoméstico.
 - Además de ser perjudicial para los seres humanos, puede causar una descarga eléctrica, un incendio o problemas con el producto.
- No utilice ni coloque ninguna sustancia sensible a la temperatura, tales como pulverizadores inflamables, objetos inflamables, hielo seco, medicamentos o productos químicos, cerca o dentro de la cava.
- No utilice un secador de cabello para secar el interior de la cava. No coloque velas encendidas en la cava para eliminar los malos olores.
 - Esto podría causar una descarga eléctrica o un incendio.
- No utilice dispositivos mecánicos ni otros medios para acelerar el proceso de descongelamiento que no sean los recomendados por el fabricante.
- No dañe el circuito del refrigerante.
- Si se detecta una fuga de gas, evite las llamas o posibles fuentes de ignición y ventile durante varios minutos la habitación en la que se encuentra el electrodoméstico.
 - No toque el electrodoméstico ni el cable de alimentación.
 - No utilice un ventilador.
 - Una chispa puede provocar una explosión o un incendio.
- Utilice solamente lámparas LED proporcionadas por el fabricante o sus agentes de servicio técnico.
- No intente reparar, desensamblar ni modificar la cava por su cuenta.
 - Las modificaciones no autorizadas pueden provocar problemas de seguridad. Para revertir una modificación no autorizada, cobraremos el costo completo de las piezas y mano de obra.
- No utilice ningún fusible (tales como los de alambres de acero, de cobre, etc.) que no sea un fusible estándar.
- Si es necesario reparar o volver a instalar la cava, comuníquese con su centro de servicio más cercano.
 - No seguir esta recomendación puede causar una descarga eléctrica, un incendio, problemas con el producto o lesiones.
- Si la lámpara LED interior o exterior se apagó, comuníquese con su centro de servicio de Dacor más cercano.
- En caso de sentir olor a quemado o a humo en la cava, desenchúfela de inmediato y comuníquese con un centro de servicio Dacor.
 - No seguir esta recomendación podría causar una descarga eléctrica o un incendio.
- Desenchufe la cava antes de cambiar las lámparas internas.
 - De lo contrario, existe el riesgo de que se produzca una descarga eléctrica.
- Si le resulta difícil cambiar una luz que no sea de LED, comuníquese con un centro de servicio de Dacor.



-
- Si el producto cuenta con lámparas LED, no desensamble las cubiertas de la lámpara ni las lámparas LED usted mismo.
 - Comuníquese con un centro de servicio de Dacor.
 - Conecte bien el enchufe al tomacorriente.
 - No utilice enchufes ni cables de alimentación dañados ni un tomacorriente flojo.
 - Esto podría causar una descarga eléctrica o un incendio.
 - No exponga los accesorios internos, como los estantes para botellas, presentadores de botellas y estantes a la luz solar directa por periodos prolongados.

Precauciones de uso

PRECAUCIÓN

- Para obtener el mejor desempeño del producto:
 - No coloque vinos muy cerca de las rejillas de ventilación en la parte posterior de la cava, ya que pueden obstruir la libre circulación del aire en el compartimiento de la cava.
- Garantía de servicio y modificación.
 - El servicio de garantía de Dacor no cubre los cambios o las modificaciones realizadas por un tercero a este electrodoméstico; Dacor tampoco es responsable de los problemas relacionados con la seguridad que puedan surgir a causa de modificaciones hechas por terceros.
- No obstruya las rejillas de ventilación dentro de la cava.
 - Si las rejillas de ventilación están obstruidas, en particular con una bolsa de plástico, la cava se puede sobrecongelar.
- Si se desenchufa la cava, espere al menos cinco minutos antes de volver a enchufarlo.
- Si ingresaran grandes cantidades de agua a la cava, apague el interruptor de encendido y comuníquese con un centro de servicio de Dacor.
- No golpee ni aplique una fuerza excesiva sobre ninguna superficie de vidrio.
 - Un vidrio roto puede causar lesiones personales o daños materiales.
- Si la cava se inunda, desconéctela de la alimentación y comuníquese con el centro de servicios Dacor más cercano.
 - Existe el riesgo de que se produzca una descarga eléctrica o un incendio.



Información sobre seguridad

Precauciones para la limpieza

PRECAUCIÓN

- No pulverice con agua directamente dentro o fuera de la cava.
 - Existe el riesgo de que se produzca un incendio o una descarga eléctrica.
- No utilice un secador de cabello para secar el interior de la cava.
- No coloque velas encendidas en la cava para eliminar los malos olores.
 - Esto podría causar una descarga eléctrica o un incendio.
- No rocíe productos de limpieza directamente sobre el visor.
 - Las letras impresas en el visor pueden borrarse.
- Si cualquier sustancia extraña, tal como agua, ingresa en el electrodoméstico, desenchúfelo y comuníquese con su centro de servicio más cercano.
 - De lo contrario, se podría producir una descarga eléctrica o un incendio.
- Use un paño seco y limpio para retirar cualquier sustancia extraña o polvo de las clavijas del enchufe. No utilice un paño mojado ni húmedo para limpiar el enchufe.
 - De lo contrario, existe el riesgo de que se produzca un incendio o una descarga eléctrica.
- No rocíe agua directamente sobre el electrodoméstico para limpiarlo.
- No limpie la cava con benceno, disolvente o Clorox (blanqueador).
 - Pueden dañar la superficie del electrodoméstico y provocar un incendio.
- Antes de limpiar o realizar el mantenimiento, desenchufe el electrodoméstico del tomacorriente.
 - De lo contrario, se podría producir una descarga eléctrica o un incendio.



Advertencias muy importantes para el desecho del producto

ADVERTENCIA

- Deseche el material de empaque de este producto de forma tal que no resulte nocivo para el medio ambiente.
- Asegúrese de que ninguno de los tubos que se encuentran detrás de la cava estén dañados antes de desecharla.
- Se utiliza R-600a como refrigerante. Este producto contiene gas inflamable (Refrigerante R-600a); comuníquese con las autoridades locales para desechar este producto en forma segura.
- Se utiliza ciclopentano como aislante. Los gases del material de aislamiento requieren un procedimiento especial para desecharlos. Comuníquese con las autoridades locales para desechar este producto de manera que no resulte nocivo para el medio ambiente.
- Mantenga los materiales de empaque fuera del alcance de los niños, ya que pueden ser peligrosos para ellos.
 - Si un niño se coloca una bolsa en la cabeza, puede asfixiarse.

Antes de desechar el electrodoméstico

1. Desconecte el enchufe principal de la toma principal.
2. Corte el cable de alimentación principal y deséchelo.



Modo de desechar correctamente este producto

Este símbolo en el producto o en su embalaje indica que no puede tratarse como residuo doméstico. En su lugar, deberá llevarse al punto de recogida de residuos adecuado para el reciclaje de aparatos eléctricos y electrónicos. Al asegurarse de que este producto se deseche de forma adecuada, ayudará a prevenir posibles consecuencias negativas para el medio ambiente y la salud humana, que de otro modo podrían generarse por el manejo inadecuado del desecho de este producto. Para obtener información más detallada sobre el reciclaje de este producto, comuníquese con su ayuntamiento, su servicio de eliminación de desechos domésticos o la tienda donde compró el producto.



Información sobre seguridad

Antes de usar la cava

- Retire el embalaje exterior e interior.
- Antes de conectar la cava a la fuente de alimentación, déjela en posición vertical durante aproximadamente 2 horas. Esto reducirá la posibilidad de que se produzca un mal funcionamiento en el sistema de refrigeración debido a la manipulación durante el transporte.
- Limpie las superficies interiores con agua tibia y un paño suave.
- Este electrodoméstico está diseñado para uso doméstico y en lugares como
 - zonas de cocina de tiendas, oficinas y otros entornos de trabajo;
 - granjas y zonas de uso de los clientes en hoteles, moteles u otros entornos residenciales;
 - hospederías y entornos similares;
 - banqueterías y eventos en instalaciones no minoristas similares.
- Cuando deseche su electrodoméstico, elija un sitio de eliminación autorizado.

Instalación de la cava

- Este electrodoméstico está diseñado para una instalación independiente o integrada (totalmente empotrada) (consulte la etiqueta en la parte posterior de este electrodoméstico).
- Este electrodoméstico está diseñado para usarse exclusivamente para el almacenamiento de vino.
- Coloque su cava sobre un piso que sea lo suficientemente resistente como para soportarla cuando esté completamente cargada. Para nivelar su cava, ajuste la pata niveladora delantera en la parte inferior.
- Este electrodoméstico utiliza refrigerante inflamable, por lo que las tuberías de refrigeración nunca deben dañarse durante el transporte. Instale la cava alejada de la luz solar directa y de fuentes de calor (estufa, calefactor, radiador, etc.). La luz solar directa puede afectar el revestimiento acrílico y las fuentes de calor pueden aumentar el consumo de electricidad. Las temperaturas ambientales extremadamente frías también pueden degradar el rendimiento del electrodoméstico.
- Evite instalar el electrodoméstico en zonas húmedas.
- Conecte la cava a un tomacorriente de pared exclusivo, correctamente instalado y con conexión a tierra. Bajo ninguna circunstancia corte o quite la tercera clavija (conexión a tierra) del cable de alimentación. Cualquier pregunta relacionada con la alimentación eléctrica y/o la conexión a tierra debe dirigirse a un electricista certificado o a un centro de servicio autorizado de Dacor.



Atención

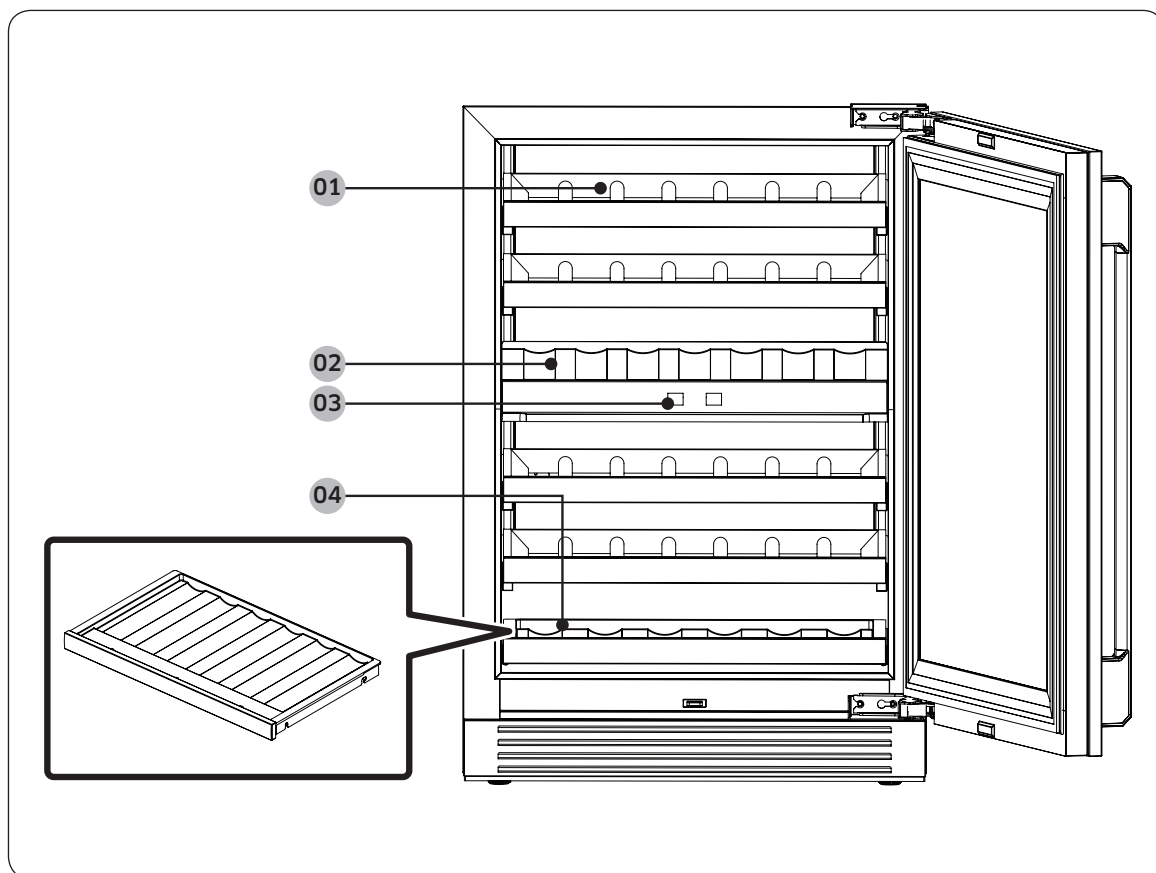
- Almacene el vino en botellas selladas.
- No sobrecargue el gabinete.
- Abra la puerta solo cuando sea necesario.
- No cubra los estantes con papel de aluminio ni ningún otro material que pueda impedir la circulación del aire.
- En caso de que la cava permanezca sin uso durante largos periodos se sugiere, después de una cuidadosa limpieza, dejar la puerta entreabierta para permitir que el aire circule dentro del mueble y evitar posibles condensaciones, moho u olores.

Límites de temperatura ambiente

Este electrodoméstico está diseñado para funcionar en temperaturas ambiente entre 60 °F y 90 °F (16 °C y 32 °C).

Elementos incluidos

Partes internas, almacenamiento y estantes



Elementos incluidos

01 Estantes para vinos

02 Presentadores de botellas

03 Panel de control y pared de compartimientos

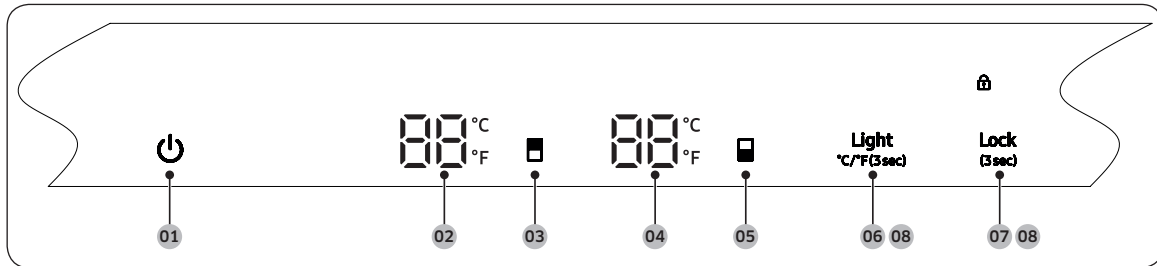
04 Estante inferior para vinos

📄 NOTA

La temperatura real de los compartimientos individuales puede diferir según las condiciones de funcionamiento, incluido el ajuste de temperatura de cada compartimento.

Funcionamiento

Panel de control



1. Botón

Mantenga presionado este botón durante 3 segundos para encender; mantenga presionado este botón durante 3 segundos para apagar.

2. Compartimiento superior

Muestra la temperatura establecida para el compartimiento superior.

3. Botón de temperatura del compartimiento superior

- **A (pulsación breve):** Cuando presiona el botón, el sistema parpadea inmediatamente y muestra la temperatura actual establecida. Cada pulsación aumenta el valor de temperatura establecido en 1 °C (o 1 °F).
Si se excede la temperatura máxima posible, saltará automáticamente al valor de temperatura ajustable más bajo (como 4 °C/39 °F).
- **B (mantener presionado durante más de 1 segundo):** Cuando presiona el botón, el sistema parpadea inmediatamente y muestra la temperatura actual establecida. Al mantener presionado el botón, el valor de temperatura establecido aumentará en 1 °C (o 1 °F).
Si se excede la temperatura máxima posible, saltará automáticamente al valor de temperatura ajustable más bajo (como 4 °C/39 °F).

4. Compartimiento inferior

Muestra la temperatura establecida para el compartimiento inferior.

Funcionamiento

5. Botón de temperatura del compartimiento inferior

A (pulsación breve): Cuando presiona el botón, el sistema parpadea inmediatamente y muestra la temperatura actual establecida. Cada pulsación aumenta el valor de temperatura establecido en 1 °C (o 1 °F).

Si se excede la temperatura máxima posible, saltará automáticamente al valor de temperatura ajustable más bajo (como 4 °C/39 °F).

B (mantener presionado durante más de 1 segundo): Cuando presiona el botón, el sistema parpadea inmediatamente y muestra la temperatura actual establecida. Al mantener presionado el botón, el valor de temperatura establecido aumentará en 1 °C (o 1 °F).

Si se excede la temperatura máxima posible, saltará automáticamente al valor de temperatura ajustable más bajo (como 4 °C/39 °F).

6. Brillo de la luz y botón de conversión °C/°F

- **A:** Al tocar este botón, el electrodoméstico emitirá una señal sonora y el compartimiento mostrará el nivel de brillo de la luz. Si no desea cambiar el nivel de brillo, no toque el control. La pantalla pasará a mostrar la temperatura después de 3 segundos.

Si desea cambiar el nivel de brillo, toque este botón una vez para aumentar el brillo en un nivel (nivel 0 > 1 > 2 > 3 > 0 ...). La pantalla volverá a mostrar la temperatura 3 segundos después de terminar el ajuste. Este cambio apagará la iluminación de la pantalla en los niveles 0 a 2.



0 (Apagado)	Apagar la luz
1 (Nivel 1)	33% de brillo
2 (Nivel 2)	66% de brillo
3 (Nivel 3)	100% de brillo


Cuando se establece en el nivel 0/1/2, la pantalla estará encendida cuando la puerta esté abierta. Si no se presiona ningún botón por 2 minutos, se apagará la pantalla. Si cierra la puerta de vidrio una vez que la pantalla está apagada, la pantalla permanecerá apagada. Si cierra la puerta de vidrio dentro de los 2 minutos, la pantalla se apagará después de 10 segundos.

Cuando se establece en el nivel 3, la pantalla siempre estará encendida ya sea que la puerta esté abierta o cerrada.



- **B:** Mantenga presionado este botón durante 3 segundos para cambiar la unidad de temperatura entre °C y °F.



7. (3sec) Botón de bloqueo

Cuando se enciende la alimentación y no se presiona ningún botón durante 1 minuto, se muestra el icono del candado  y el sistema ingresa automáticamente al modo de bloqueo para bloquear el panel de control. El sistema no funcionará cuando se presionen los botones en el modo de bloqueo. El icono del candado  parpadeará 5 veces y sonará una alarma.

Mantenga presionado el icono del candado durante 3 segundos mientras está en el modo de bloqueo. El icono del candado  parpadeará tres veces, se apagará y el panel de control se desbloqueará.

8. (3sec) + (3sec) Modo Shabat



Mantenga presionados los botones  (3sec) +  (3sec) durante 3 segundos. Se mostrará el código "Sb on" en la ventana. El sistema entrará en modo Shabat y funcionará según la temperatura preestablecida sin pitidos, acciones de botones, luz interior ni alarma de la puerta.

Mantenga presionados los botones  (3sec) +  (3sec) durante 3 segundos en el modo Shabat para salir de este modo. El modo Shabat permanece activo por 85 horas una vez activado. Luego, se desactiva automáticamente.

9. + (3sec) Modo Tienda

El modo de Tienda, está diseñado para que lo usen los distribuidores cuando exhiben las cavas en las tiendas.

En el modo de Tienda, el motor del ventilador y las luces funcionan normalmente, pero los compresores no lo hacen, por lo que la cava no se enfría.

- Para ingresar al modo de Tienda, mantenga presionados temperatura del compartimento inferior  y Lock (Bloqueo) simultáneamente durante 3 segundos. Suenan la señal sonora del refrigerador y el indicador de temperatura muestra "oF".
- Para salir al modo de enfriamiento desactivado, mantenga presionados nuevamente temperatura del compartimento inferior  y Lock (Bloqueo) simultáneamente durante 3 segundos. Suenan la señal sonora del refrigerador y el indicador de temperatura muestra la temperatura actual.

NOTA

Si el indicador del bloqueo está encendido, antes debe desactivar el bloqueo.

Funcionamiento

Uso de otras funciones

La temperatura predeterminada es de 54 °F (12 °C).

La unidad de temperatura predeterminada es °F.

La temperatura se puede configurar desde 39 °F (4 °C) hasta 64 °F (18 °C).

La temperatura real dentro del electrodoméstico puede variar según la temperatura ambiente, la frecuencia con la que se abre la puerta y la cantidad de botellas calientes que se han agregado recientemente.

Función de memoria de temperatura

En caso de interrupción del suministro eléctrico, la cava puede recordar el ajuste de temperatura anterior y, cuando se restablezca el suministro, regresará al valor establecido antes de la interrupción.

Alarma de exceso de apertura de la puerta

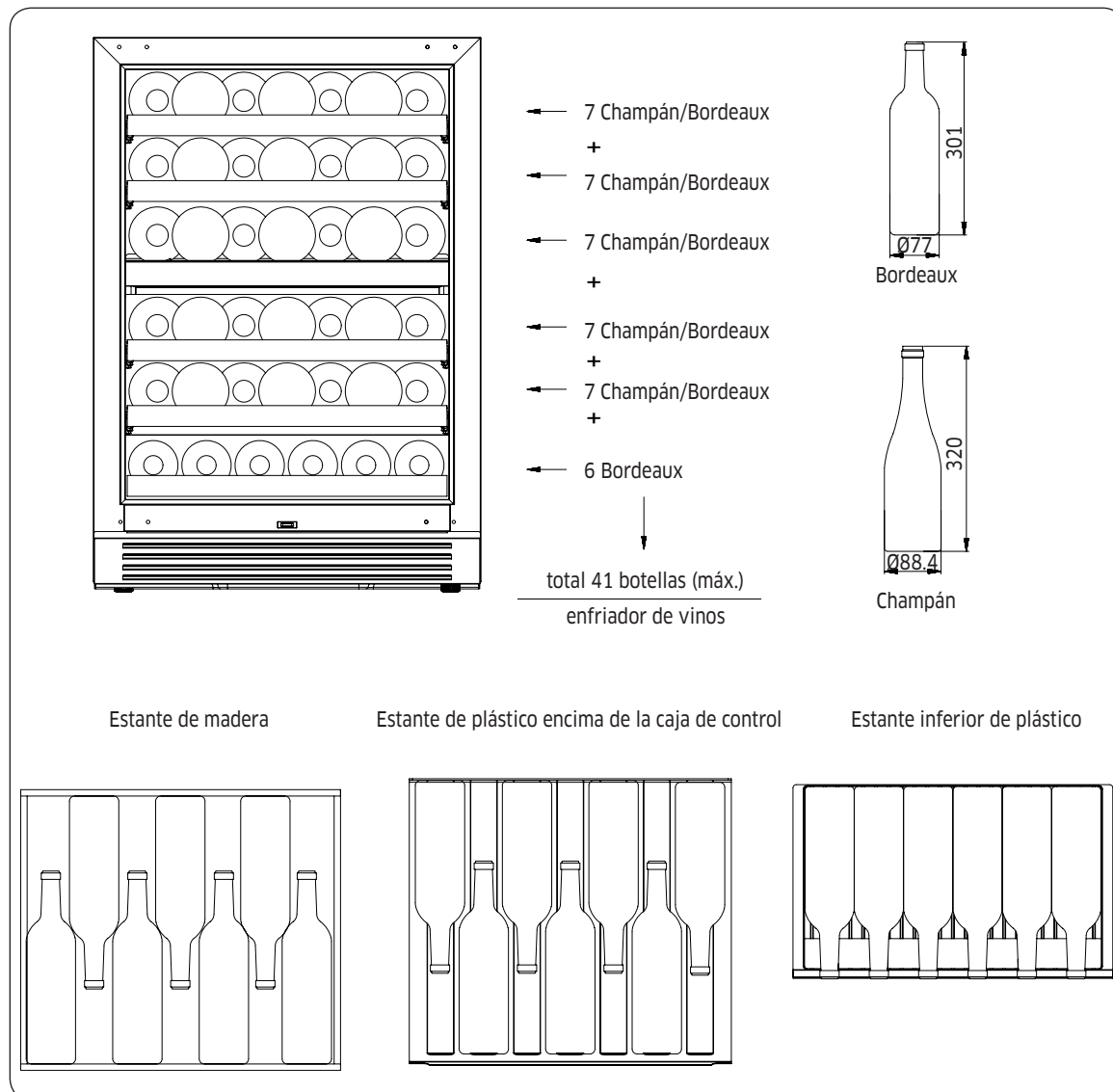
Si la puerta quedara abierta durante 2 minutos, sonará una alarma.

Si la puerta permaneciera abierta después de la alarma inicial, la alarma se activará cada 1 minuto. La alarma de puerta abierta suena desde el interior de la cava.

PRECAUCIÓN

Si la unidad se desenchufa, o si se interrumpe o se corta el suministro eléctrico, deberá esperar entre 3 y 5 minutos antes de reiniciar la unidad. Si intenta reiniciarla antes de que haya pasado dicho período, la cava no se reiniciará. Si la cava se utiliza por primera vez o no se ha usado durante mucho tiempo, la temperatura será diferente de la establecida que se muestra en la pantalla LED. La temperatura volverá a su ajuste original después de que la cava haya funcionado durante un cierto período.

Diagrama de almacenamiento

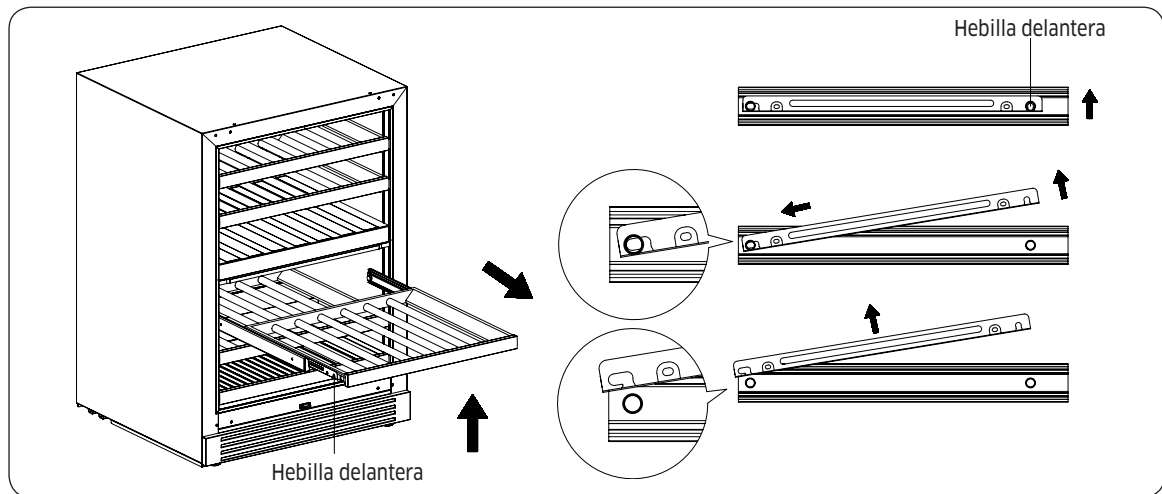


Funcionamiento

Funcionamiento

Estantes

- Para evitar dañar la junta de la puerta, asegúrese de que la puerta esté completamente abierta al sacar los estantes de la cava.
- Para retirar los estantes:
 1. Extienda por completo el estante que desea retirar.
 2. Levante la parte delantera del estante.
 3. Mientras sujeta el riel del estante, empújelo hacia adentro y, luego, hacia arriba para liberarlo de los amortiguadores traseros.



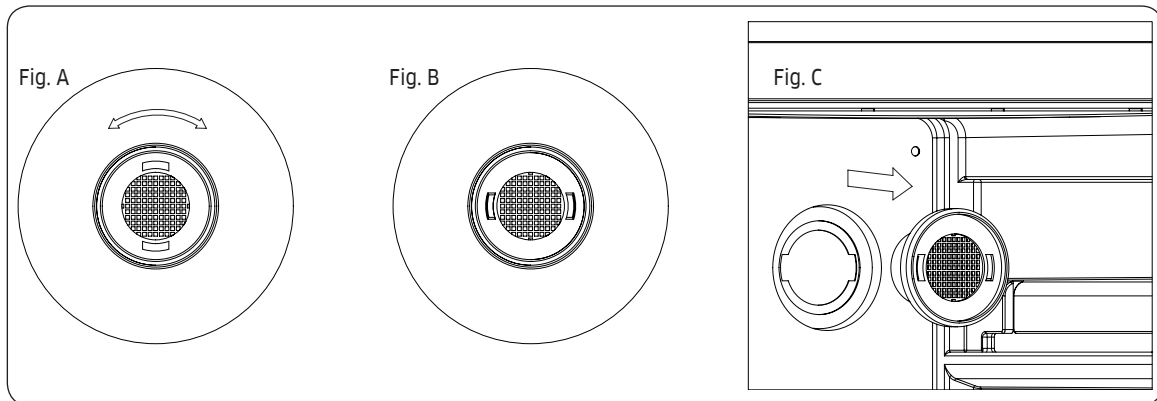
Reemplazo

Reemplazo del filtro

1. Abra la puerta y retire los estantes. Gire el filtro como en la Fig. A.
2. Gire el filtro hasta encontrar la muesca como se muestra en la Fig. B.
3. Retire el filtro como en la Fig. C.
4. Instale el filtro nuevo.

NOTA

El filtro debe reemplazarse cada 3 a 6 meses según el nivel de exposición de la unidad a los olores. Si la unidad se coloca en la cocina, lo ideal es reemplazarlo periódicamente cada 3 meses.





Cuidado y mantenimiento

Limpieza

- Apague la alimentación eléctrica, desenchufe el electrodoméstico y retire todas sus piezas, incluyendo los estantes y el soporte para botellas.
- Lave las superficies internas con agua tibia y una solución de detergente suave.
- Lave los estantes con una solución de detergente suave.
- Retire el exceso de agua con una esponja o paño al limpiar alrededor de los controles o cualquier parte eléctrica.
- Lave el exterior del gabinete con agua tibia y un detergente líquido suave. Enjuague bien y seque con un paño limpio y suave.

Falla energética

- La mayoría de las fallas energéticas se corrigen en unas horas y no deberían afectar la temperatura de su electrodoméstico si minimiza la cantidad de veces que se abre la puerta. Si va a desconectarse la alimentación eléctrica por un período prolongado, asegúrese de tomar las medidas necesarias para proteger sus vinos.

Vacaciones

- Vacaciones cortas: deje la cava funcionando durante las vacaciones de menos de tres semanas de duración.
- Si no va a utilizar el electrodoméstico durante varios meses, retire todo el contenido y apáguelo. Limpie y seque el interior por completo. A fin de evitar malos olores y la proliferación de moho, deje la puerta levemente abierta y manténgala así de ser necesario.

Cómo trasladar la cava

- Retire todo el contenido.
- Quite los artículos sueltos dentro de la cava (como los estantes) o use espuma para sujetarlos en su lugar.
- Gire las patas ajustables hasta la base a fin de evitar daños.
- Cierre la puerta con cinta adhesiva.
- Asegúrese de que el electrodoméstico se mantenga en posición vertical durante el traslado. Proteja el exterior del electrodoméstico con una manta o elemento similar.

Consejos para el ahorro de energía

- La cava debe situarse en la parte más fresca del ambiente, alejada de electrodomésticos que generan calor y de la luz solar directa.



Solución de problemas

Guía de solución de problemas

Antes de solicitar servicio técnico, revise los siguientes puntos de verificación. Cualquier solicitud de servicio para situaciones normales (cuando no existe ningún defecto) correrá a cargo de los usuarios.

Síntoma	Causas posibles
La cava no funciona.	<ul style="list-style-type: none">• El electrodoméstico no está enchufado.• El electrodoméstico está apagado.• El disyuntor se activó o se quemó un fusible.
La cava no está lo suficientemente fría.	<ul style="list-style-type: none">• Verifique el ajuste del control de temperatura.• Es posible que se requiera un ajuste más alto dependiendo del entorno de la cava.• La puerta se abre con demasiada frecuencia.• La puerta no se cerró por completo.• La junta de la puerta no se sella correctamente.
Se enciende y apaga con frecuencia.	<ul style="list-style-type: none">• La temperatura ambiente es más alta de lo habitual.• El gabinete está demasiado lleno.• La puerta se abre con demasiada frecuencia.• La puerta no se cerró por completo.• El control de temperatura no está configurado correctamente.• La junta de la puerta no se sella correctamente.
La luz no funciona.	<ul style="list-style-type: none">• El electrodoméstico no está enchufado.• El disyuntor se activó o se quemó un fusible.• La lámpara se quemó.• El botón de la luz está "Apagado".
Vibraciones	<ul style="list-style-type: none">• Verifique para asegurarse de que la cava esté nivelada.
Demasiado ruido	<ul style="list-style-type: none">• Un ruido de traqueteo puede provenir del flujo de refrigerante, lo cual es normal.• Al finalizar cada ciclo, es posible que escuche borbotos.• La contracción y expansión de las paredes interiores puede provocar chasquidos y crujidos.• La cava no está nivelada.
La puerta no se cierra correctamente.	<ul style="list-style-type: none">• La cava no está nivelada.• La puerta estaba invertida y no estaba instalada correctamente.• La junta está sucia.• Los estantes están fuera de lugar.

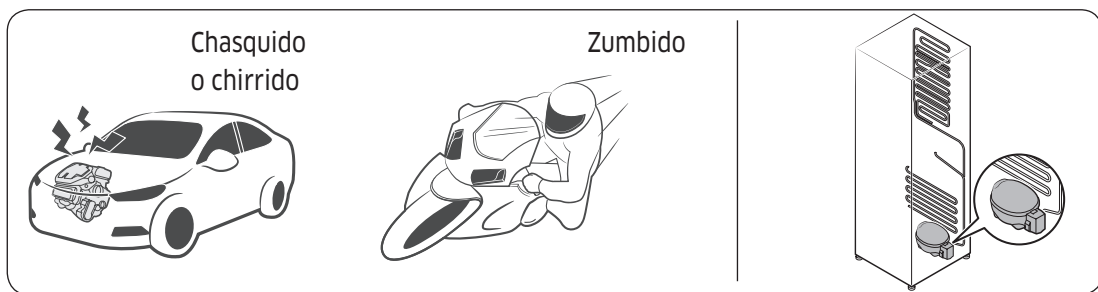
Solución de problemas

Sonidos anormales

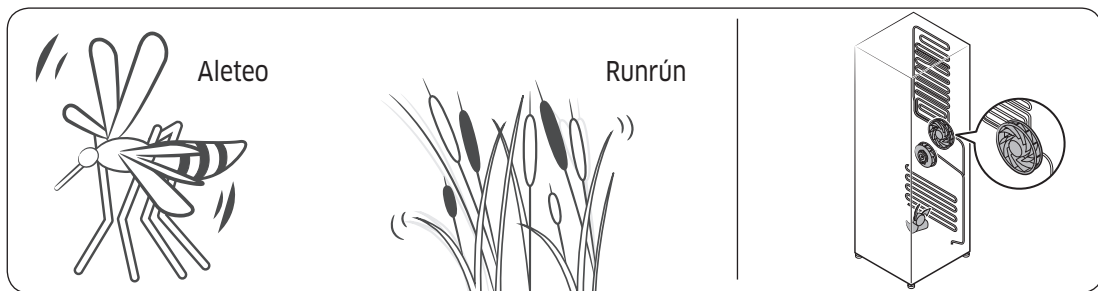
Antes de solicitar servicio técnico, revise los siguientes puntos de verificación. Las solicitudes de servicio relacionadas con ruidos normales correrán a cargo del usuario.

Estos ruidos son normales.

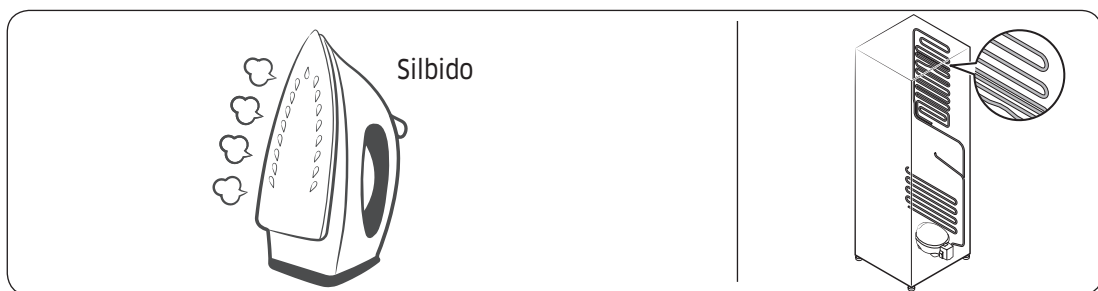
- Cuando se inicia o finaliza una operación, la cava puede emitir unos sonidos similares al encendido del motor de un auto. Cuando la operación se estabiliza, el ruido disminuye.



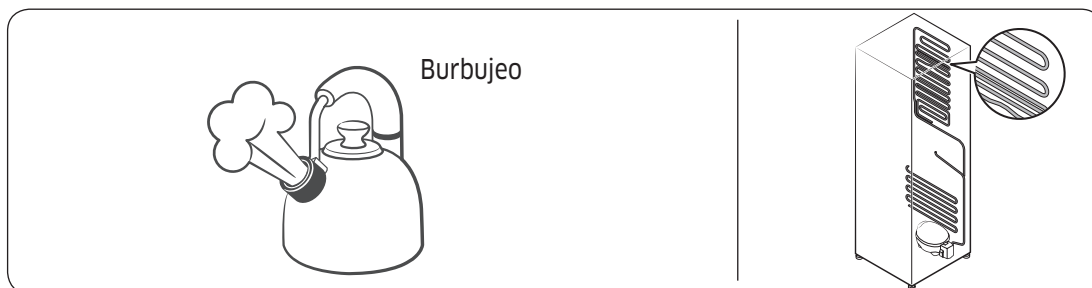
- Cuando el ventilador está en funcionamiento, puede producir algunos ruidos. Cuando la cava alcanza la temperatura establecida, el ventilador debería dejar de producir ruidos.



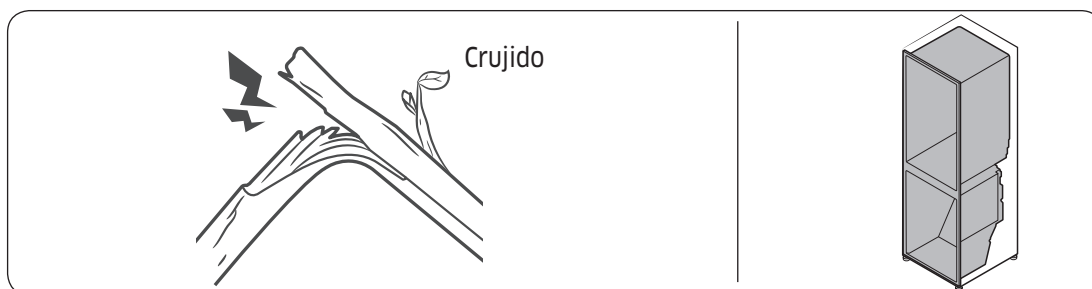
- Durante un ciclo de descongelación, pueden caer gotas de agua sobre el calefactor y producir ruidos de chisporroteo.



- Cuando la cava se enfría, el gas refrigerante circula por las tuberías selladas y produce ruidos de burbujas.



- Cuando la temperatura de la cava aumenta o disminuye, las partes plásticas se contraen y se expanden y producen ruidos de golpeteo. Dichos ruidos se producen durante el ciclo de descongelación o cuando las piezas electrónicas están funcionando.



- Debido a la equalización de la presión cuando se abre y cierra la puerta, pueden producirse sonidos silbantes.

Garantía

Atención al cliente

Antes de solicitar asistencia o programar un servicio:

1. Pruebe con las soluciones provistas en la tabla de la sección "Solución de problemas".
2. Familiarícese con los términos y condiciones de la garantía del producto.
3. Si ninguno de esos consejos prácticos o sugerencias resuelve su problema, visite dacor.com o llame a nuestro centro de atención al cliente al (833) 353-5483 (Estados Unidos), (844) 509-4659 (Canadá)

Estados Unidos - Garantía

CERTIFICADO DE GARANTÍA PARA REFRIGERADOR DACOR - ESTADOS UNIDOS:

GARANTIA COMPLETA DE DOS AÑOS

Esta garantía cubre cualquier defecto en los materiales o la mano de obra en el nuevo electrodoméstico de la marca Dacor comprado a un distribuidor autorizado de Dacor u otro vendedor autorizado por Dacor.

Esta garantía se aplica por dos años a partir de la fecha de entrega o la fecha de cierre para la nueva construcción, el periodo que sea más largo. Dacor reparará o reemplazará su producto.

GARANTÍA LIMITADA

Una vez finalizado el período de garantía completa, este producto está garantizado contra defectos de materiales o mano de obra que se nos informen durante los períodos de garantía aplicables de la siguiente manera:

Años 3 a 6 de su propiedad - Piezas y mano de obra del sistema hermético	Durante el tercer al sexto año de su propiedad, pagaremos las piezas especificadas de fábrica y los costos de mano de obra de reparación para corregir defectos en los materiales o la mano de obra en el sistema de refrigeración hermético (compresor, evaporador, condensador, secador y tubería de conexión).
Años 7 a 10 de su propiedad - Solo piezas del sistema hermético	Durante el séptimo al décimo año de su propiedad, pagaremos solo las piezas especificadas de fábrica para corregir defectos en el sistema de refrigeración hermético.
Años 7 a 10 de su propiedad - Solo piezas del compresor	Durante el séptimo al décimo año de su propiedad, pagaremos solo las piezas especificadas de fábrica para corregir defectos en el compresor.

Defectos cosméticos. Además, durante 60 días a partir de la fecha de entrega, se garantiza que su producto está libre de defectos cosméticos en los materiales y la mano de obra (como arañazos del acero inoxidable, manchas en la pintura/porcelana, astillas, abolladuras u otros daños en el acabado). Se excluyen las variaciones de color y se excluyen específicamente los productos de exhibición, modelo de piso, vendidos "tal cual" o reacondicionados.

LIMITACIONES DE LA COBERTURA

El servicio será ofrecido por una empresa de servicios designada por Dacor durante el horario laboral normal. Les rogamos que tengan en cuenta que los proveedores de servicios no son agentes de Dacor, sino entidades independientes.

El propietario debe proporcionar a solicitud una prueba de compra, un comprobante de entrega o una declaración de cierre para la nueva construcción. Todos los productos Dacor deben estar en una ubicación accesible para el servicio.

La garantía se considerará nula y sin efecto en aquellos productos cuyos números de serie y etiquetas hayan sido alterados, desfigurados o eliminados.

La garantía se considerará nula y sin efecto si un producto no aprobado por CSA se transporta desde Estados Unidos.

Garantía

LO QUE NO ESTÁ CUBIERTO

<ul style="list-style-type: none">• Pueden observarse ligeras variaciones en el color a causa de diferencias entre las partes pintadas, iluminación de la cocina, ubicación del producto y otros factores; esta garantía no cubre las variaciones de color.	<ul style="list-style-type: none">• Las llamadas de servicio para instruir al cliente acerca del correcto uso y cuidado del producto.
<ul style="list-style-type: none">• Las tarifas de servicio para viajes a islas y áreas remotas, que incluyen, entre otros, transbordadores, carreteras con peaje u otros gastos de viaje.	<ul style="list-style-type: none">• Daños indirectos o accidentales, que incluyen, aunque no de modo taxativo: pérdida de alimentos o medicinas, ausencia del trabajo o comidas en restaurantes.
<ul style="list-style-type: none">• Fines comerciales, empresariales, de alquiler o cualquier otro propósito que no sea el uso residencial por parte del consumidor.	<ul style="list-style-type: none">• Falla del producto causada por una instalación incorrecta.
<ul style="list-style-type: none">• Reemplazo de fusibles o cajas de fusibles domésticos o reajuste de disyuntores.	<ul style="list-style-type: none">• Daños causados por accidentes, incendios, inundaciones, interrupción de alimentación, sobrecargas eléctricas o fenómenos naturales.
<ul style="list-style-type: none">• Responsabilidad por daños a la propiedad circundante, incluyendo gabinetes, pisos, techos y otros objetos o estructuras.	<ul style="list-style-type: none">• Rotura, decoloración o daños a superficies de cristal o metálicas, componentes plásticos, bordes, pintura u otros acabados cosméticos causados por mal uso o cuidado impropio, abuso o negligencia.
<ul style="list-style-type: none">• Excepto en los casos indicados anteriormente, las partes consumibles como filtros y lámparas no están incluidas y son responsabilidad del comprador.	

LOS RECURSOS PROPORCIONADOS EN LAS GARANTÍAS EXPRESAS ANTEDICHAS CONSTITUYEN SU ÚNICO Y EXCLUSIVO RECURSO. POR CONSIGUIENTE, NO SE OFRECE NINGUNA OTRA GARANTÍA EXPRESA, Y FUERA DE LOS CINCUENTA ESTADOS DE ESTADOS UNIDOS Y CANADÁ, TODAS LAS GARANTÍAS IMPLÍCITAS, INCLUIDAS, ENTRE OTRAS, LAS GARANTÍAS IMPLÍCITAS DE COMERCIALIZACIÓN O DE IDONEIDAD PARA UN USO O FIN CONCRETO, TIENEN UNA DURACIÓN LIMITADA A UN AÑO A PARTIR DE LA FECHA DE COMPRA ORIGINAL. EN NINGÚN CASO DACOR SERÁ RESPONSABLE DE DAÑOS ACCIDENTALES O INDIRECTOS. EN CASO DE QUE DACOR GANE UN JUICIO, DACOR TENDRÁ DERECHO A RECIBIR DEL CLIENTE EL REEMBOLSO DE TODOS LOS COSTOS Y GASTOS, INCLUIDOS LOS HONORARIOS DEL ABOGADO. NO SE OFRECE GARANTÍA ALGUNA, EXPRESA O IMPLÍCITA, A UN COMPRADOR QUE REVENDA EL PRODUCTO.

Ciertos estados no permiten limitaciones en cuanto a la vigencia de una garantía implícita o no permiten la exclusión o limitación de daños intrascendentes, de tal forma que las limitaciones o excepciones mencionadas tal vez no se apliquen a usted en particular. Esta garantía le otorga derechos legales específicos, e incluso puede otorgarle otros derechos que varían de un estado a otro.

Garante: Samsung Electronics America, Ridgefield Park, NJ, 07660

Garantía

CANADÁ - Garantía

CERTIFICADO DE GARANTÍA PARA REFRIGERADOR DACOR - CANADÁ:

Esta garantía limitada cubre solo aquellos productos suministrados y distribuidos en Canadá por nosotros y entregados nuevos, en la caja o el empaque original, al comprador consumidor original que realiza la compra a un revendedor o distribuidor autorizado, excepto que se indique lo contrario en el presente documento. Excepto donde lo prohíba la ley provincial aplicable, solo el comprador consumidor original del producto tiene derechos en virtud de esta garantía limitada, la cual no se puede transferir ni ceder.

Cualquier declaración adicional, como publicidad o presentación del distribuidor, ya sea oral o escrita, que ofrezca garantías adicionales o modificaciones a la presente garantía limitada no constituye una garantía por parte nuestra y no es confiable.

1. LO QUE ESTÁ CUBIERTO Y POR CUÁNTO TIEMPO

Garantizamos al comprador original ("Comprador") que su Refrigerador Dacor comprado a un revendedor o distribuidor autorizado en Canadá (los "Productos") está libre de defectos en los materiales y la mano de obra encontrados en el uso normal durante el período de garantía identificado a continuación, efectivo a partir de la fecha de compra o fecha de cierre para la nueva construcción, el periodo que sea más largo.

Producto o pieza de Dacor	Periodo y cobertura de la garantía
Refrigerador	Dos (2) años: Piezas y mano de obra
Sistema de refrigeración hermético (compresor, evaporador, condensador, secador y tuberías de conexión)	Seis (6) años: Piezas y mano de obra
Sistema de refrigeración hermético (compresor, evaporador, condensador, secador y tuberías de conexión)	Diez (10) años: Solo piezas
Compresor del refrigerador	Diez (10) años: Solo piezas

Defectos cosméticos. Durante sesenta (60) días a partir de la fecha de compra, se garantiza que el producto está libre de defectos cosméticos en los materiales y la mano de obra (como arañazos del acero inoxidable, manchas en la pintura/porcelana, astillas, abolladuras u otros daños en el acabado). Se excluyen las variaciones de color y se excluyen específicamente los productos de exhibición, modelo de piso, vendidos "tal cual" o reacondicionados.

2. LIMITACIONES DE LA COBERTURA

Si el producto no funciona de acuerdo con las especificaciones durante el periodo de garantía aplicable y la falla se debe a una mano de obra inadecuada o materiales defectuosos, repararemos o reemplazaremos, a nuestro exclusivo criterio, y sin cargo para el comprador, el producto o cualquier otro componente defectuoso del producto. Podemos, a nuestro exclusivo criterio, utilizar piezas o componentes reconstruidos, reacondicionados o nuevos al reparar cualquier producto. Si el mismo modelo de producto o pieza no está disponible para el reemplazo, podemos, a nuestro exclusivo criterio, reemplazar el producto o la pieza con cualquier producto o pieza reconstruida, renovada, reacondicionada o nueva de utilidad y valor similares al producto o la pieza que se reemplaza.

Nos reservamos expresamente el derecho exclusivo, a nuestra entera discreción, y en lugar de cualquier servicio, reparación o reemplazo de un producto en virtud de la presente garantía limitada, de ofrecer al comprador un reembolso parcial del precio de compra original pagado por el comprador por ese producto (un "Reembolso parcial"). El monto de cualquier reembolso parcial que se ofrecerá se determinará a nuestra discreción con base en el valor justo de mercado del producto dada su antigüedad y condición. Si el comprador acepta la oferta de un reembolso parcial, se considerará que nos ha liberado de cualquier reclamo o responsabilidad en virtud de la presente garantía limitada o cualquier otra garantía o condición expresa o implícita aplicable con respecto a ese producto.

Todas las piezas reparadas o los productos reemplazados estarán garantizados por un periodo igual a lo que resta de la garantía limitada original del producto original o por 90 días, el plazo que sea más largo.

3. LO QUE NO ESTÁ CUBIERTO

Los recursos previstos en la presente garantía limitada están disponibles solo dentro de Canadá.

Esta garantía limitada no cubre ningún defecto, mal funcionamiento, falla o daño causado por, o que resulte de, cualquiera de los siguientes casos:

- (a) retiro, instalación, reinstalación, mantenimiento o servicio del producto sin nuestra autorización;
- (b) accidente, incendio, inundación, interrupción de energía, sobrecargas de energía, voltaje de línea o suministro incorrecto o corriente eléctrica, fusibles, cableado de la casa, disyuntores, conectores no suministrados por nosotros, tensión eléctrica o electromecánica inusual, casos de fuerza mayor o actos de la naturaleza;
- (c) mal uso, abuso, negligencia, mal manejo, mala aplicación, alteración o modificación del producto o de cualquier pieza del producto;
- (d) uso del producto junto con otros productos, equipos, utilidades, servicios, piezas, suministros, accesorios, aplicaciones, cableado externo, conectores o equipos auxiliares o periféricos no suministrados o autorizados por nosotros;
- (e) usos para los cuales el producto no fue diseñado.

Garantía

Además, esta garantía limitada no cubre: (i) cualquier producto o pieza cuyo número de serie se haya eliminado o se haya vuelto ilegible. Eliminar o dejar ilegible el número de serie de cualquier producto anulará de inmediato la garantía limitada de dicho producto; (ii) cualquier daño que ocurra durante el envío del producto una vez que el comprador ha aceptado el producto; (iii) cualquier daño que resulte de cualquier incumplimiento de las instrucciones de operación, mantenimiento o ambientales contenidas en cualquier folleto de instrucciones o manual del propietario disponible en relación con el producto; (iv) tarifas de servicio para viajes a islas y áreas remotas, que incluyen, entre otros, transbordadores, carreteras con peaje u otros gastos de viaje; (v) reemplazo de fusibles domésticos, cajas de fusibles o reajuste de disyuntores; (vi) responsabilidad por daños a la propiedad circundante, incluidos gabinetes, pisos, techos y otras estructuras u objetos; (vii) el costo de las llamadas de servicio para obtener instrucciones, para la corrección de errores de instalación, para los ajustes del cliente que se explican en el manual del propietario del producto o cuando el producto funciona de acuerdo con las especificaciones. Las llamadas de servicio realizadas por problemas no cubiertos por la presente garantía limitada podrían tener un cargo; (viii) rotura, decoloración o daños a superficies de cristal o metálicas, componentes plásticos, bordes, pintura u otros acabados cosméticos causados por mal uso o cuidado indebido, abuso o negligencia; (ix) excepto en los casos indicados anteriormente, las partes consumibles como filtros y lámparas no están incluidas y son responsabilidad del comprador; (x) fines comerciales, empresariales, de alquiler o cualquier otro propósito que no sea el uso residencial por parte del consumidor; (xi) variaciones en el color a causa de diferencias entre las partes pintadas, iluminación de la cocina, ubicación del producto y otros factores;

No garantizamos un funcionamiento ininterrumpido y sin fallas del producto.

4. ¿CUÁLES SON LAS LIMITACIONES DEL SERVICIO DE GARANTÍA A DOMICILIO?

El servicio a domicilio está sujeto a disponibilidad y no está disponible en todas las áreas de Canadá. El servicio a domicilio solo se proporcionará si el producto no está obstruido y es fácilmente accesible desde el nivel del piso para el personal de servicio. Si la reparación no se puede completar durante el servicio a domicilio o si el servicio a domicilio no está disponible en su área, es posible que deba entregar el producto a un centro de servicio autorizado de Dacor para recibir el servicio de garantía. El comprador pagará el costo de transporte del producto hacia y desde un centro de servicio autorizado de Dacor, a menos que decidamos proporcionar ese transporte a nuestra discreción.

Para recibir el servicio a domicilio, el comprador debe comunicarse con el servicio de atención al cliente de Dacor a fin de determinar la naturaleza del problema y conocer los procedimientos del servicio. Todas las reparaciones bajo garantía a domicilio deben ser realizadas por un centro de servicio autorizado de Dacor. Debe presentarnos un comprobante de compra válido al momento de solicitar el servicio y antes de que se presten los servicios de garantía.

Cuando el servicio a domicilio no está disponible, el comprador debe devolver el producto a un centro de servicio autorizado de Dacor para su análisis. Para obtener ayuda sobre dónde entregar el producto, comuníquese con nuestro centro de atención al cliente. El costo de transporte del producto hacia o desde el centro de servicio autorizado correrá a cargo del comprador.

5. ¿CUÁLES SON LOS LÍMITES DE NUESTRA RESPONSABILIDAD?

SALVO LO EXPRESAMENTE ESTABLECIDO EN LA PRESENTE GARANTÍA LIMITADA, NUESTRA RESPONSABILIDAD ESTÁ SUJETA A LAS SIGUIENTES LIMITACIONES:

(A) EL COMPRADOR ACEPTA EL PRODUCTO "TAL CUAL" Y NO OFRECEMOS GARANTÍA ALGUNA NI REPRESENTACIÓN DE NINGÚN TIPO CON RESPECTO AL PRODUCTO.

(B) NO EXISTEN CONDICIONES, EXPRESAS O IMPLÍCITAS, ESTATUTARIAS O DE OTRO TIPO, CON RESPECTO AL PRODUCTO

(C) EN PARTICULAR, Y SIN LIMITAR LA GENERALIDAD DE LOS PÁRRAFOS (A) Y (B) ANTERIORES, NO OFRECEMOS GARANTÍA, CONDICIÓN O REPRESENTACIÓN ALGUNA CON RESPECTO A NINGUNO DE LOS SIGUIENTES PUNTOS: (i) LA COMERCIABILIDAD DEL PRODUCTO O SU IDONEIDAD PARA CUALQUIER PROPÓSITO O USO EN PARTICULAR; (ii) TITULARIDAD O NO INFRACCIÓN; (iii) DISEÑO, ESTADO, CALIDAD O RENDIMIENTO DEL PRODUCTO; (iv) LA MANO DE OBRA DEL PRODUCTO O DE LOS COMPONENTES CONTENIDOS EN EL MISMO; (v) CUMPLIMIENTO DEL PRODUCTO CON LOS REQUISITOS DE CUALQUIER LEY, REGLA, ESPECIFICACIÓN O CONTRATO RELATIVO AL PRODUCTO.

(D) NINGÚN CONTENIDO DE CUALQUIER MANUAL DE INSTRUCCIONES O MANUAL DEL PROPIETARIO CONSTITUIRÁ UNA GARANTÍA EXPRESA DE NINGÚN TIPO CON RESPECTO AL PRODUCTO.

Garantía

LAS DISPOSICIONES QUE SE ENCUENTRAN EN LOS PÁRRAFOS (E) Y (F) A CONTINUACIÓN NO SE APLICAN EN CIRCUNSTANCIAS EN LAS QUE LA PRESENTE GARANTÍA LIMITADA SE RIGE POR LAS LEYES DE LA PROVINCIA DE QUEBEC.

(E) TODAS LAS GARANTÍAS Y CONDICIONES IMPLÍCITAS QUE PUEDAN SURGIR POR APLICACIÓN DE LA LEY, INCLUIDA CUALQUIER GARANTÍA IMPLÍCITA APLICABLE O CONDICIÓN DE COMERCIABILIDAD O ADECUACIÓN PARA UN PROPÓSITO EN PARTICULAR, ESTÁN LIMITADAS A LA MISMA DURACIÓN DE TIEMPO QUE LA PRESENTE GARANTÍA LIMITADA. ALGUNAS PROVINCIAS PROHÍBEN LAS LIMITACIONES A LA DURACIÓN DE UNA GARANTÍA IMPLÍCITA, Y LA LIMITACIÓN A LA DURACIÓN DE LA GARANTÍA IMPLÍCITA NO SE APLICARÁ EN LA MEDIDA EN QUE DICHA LIMITACIÓN ESTÉ PROHIBIDA POR LA LEY PROVINCIAL APLICABLE.

(F) NO SEREMOS RESPONSABLES POR DAÑOS DE NINGÚN TIPO (INCLUYENDO, SIN LIMITACIÓN, CUALQUIER DAÑO INCIDENTAL, ESPECIAL, CONSECUENTE O SIMILAR) QUE RESULTE O SURJA DIRECTA O INDIRECTAMENTE DE CUALQUIERA DE LOS SIGUIENTES CASOS: (i) LA COMPRA, USO O MAL USO DEL PRODUCTO; (ii) CUALQUIER PÉRDIDA DE USO DEL PRODUCTO O INCAPACIDAD DE USAR EL PRODUCTO; (iii) CUALQUIER INCUMPLIMIENTO DE LA GARANTÍA EXPRESA; (iv) CUALQUIER PÉRDIDA DE GANANCIAS O BENEFICIOS PREVISTOS; (v) CUALQUIER PÉRDIDA DE ALIMENTOS O CONSUMIBLES; (vi) CUALQUIER AGRAVIO (INCLUYENDO NEGLIGENCIA O NEGLIGENCIA GRAVE) O FALTA COMETIDA POR NOSOTROS, SUS AGENTES O EMPLEADOS; (vii) CUALQUIER INCUMPLIMIENTO DE CONTRATO; (viii) CUALQUIER RECLAMO PRESENTADO CONTRA EL COMPRADOR POR CUALQUIER OTRA PARTE. ALGUNAS PROVINCIAS PROHÍBEN LA EXCLUSIÓN O LIMITACIÓN DE DAÑOS INCIDENTALES O CONSECUENTES, Y LA EXCLUSIÓN ANTERIOR DE DAÑOS INCIDENTALES O CONSECUENTES NO SE APLICARÁ EN LA MEDIDA EN QUE DICHA EXCLUSIÓN ESTÉ PROHIBIDA POR LA LEY PROVINCIAL APLICABLE.

(G) ESTA GARANTÍA LE OTORGA DERECHOS LEGALES ESPECÍFICOS E INCLUSO PUEDE OTORGARLE OTROS DERECHOS, QUE VARÍAN DE UNA PROVINCIA A OTRA. LA PRESENTE GARANTÍA LIMITADA INDICA EL RECURSO EXCLUSIVO DEL COMPRADOR. SALVO DONDE LO PROHÍBE LA LEY PROVINCIAL APLICABLE, LA PRESENTE GARANTÍA LIMITADA NO ES TRANSFERIBLE SIN NUESTRO CONSENTIMIENTO EXPRESO.

(H) SI CUALQUIER PARTE DE ESTA GARANTÍA LIMITADA SE CONSIDERA ILEGAL O IMPOSIBLE DE APLICAR POR MOTIVO DE CUALQUIER LEY, DICHA ILEGALIDAD PARCIAL O IMPOSIBILIDAD DE APLICACIÓN NO AFECTARÁ LA EJECUCIÓN DEL RESTO DE LA PRESENTE GARANTÍA LIMITADA.

Si el producto se compra a un revendedor o distribuidor no autorizado o se compra fuera de Canadá, la presente garantía limitada no se aplica, salvo que se apliquen las limitaciones anteriores especificadas en las Secciones 5(A) a 5(I).

Garante en Canadá: Samsung Electronics Canada Inc., Mississauga, ON, L5N 0B9 Canada

**FUERA DE ESTADOS UNIDOS Y CANADÁ:
GARANTÍA LIMITADA AL PRIMER AÑO**

Si su producto Dacor deja de funcionar antes de que transcurra un año a partir de la fecha de compra original debido a un defecto en los materiales o la mano de obra, Dacor proporcionará una nueva pieza, F.O.B. de fábrica, para reemplazar la pieza defectuosa.

Los costos de entrega, instalación y laborales, así como otros cargos de servicio, son responsabilidad del comprador.

Comuníquese con Dacor

Si tiene preguntas o comentarios relacionados con los electrodomésticos Dacor, póngase en contacto con el Centro de Atención al Cliente de Dacor.

País	Centro de contacto	Sitio web
U.S.A	1-833-353-5483	www.dacor.com
CANADA	1-844-509-4659	www.dacor.com

dacor

DRW24_UM_Rev01_EN+ES+FR

dacor[®]

Manuel d'utilisation

Cave à vin encastrable

DRW24G7500**





Table des matières

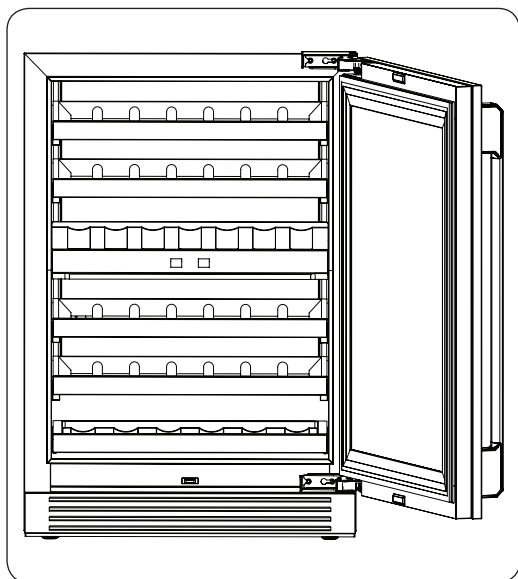
Informations importantes	4
Avant de commencer	4
Consignes de sécurité	5
Consignes de sécurité importantes et symboles :	6
Avertissement de la proposition 65 de l'État de Californie	6
Mesures importantes de sécurité	6
Symboles de mise en garde importants concernant le transport et le lieu d'installation	7
Avertissements importants concernant l'installation	8
Installation en toute sécurité	10
Avertissements importants concernant l'utilisation	11
Utilisation en toute sécurité	13
Nettoyage en toute sécurité	14
Avertissements importants concernant la mise au rebut	15
Avant la mise au rebut de l'appareil	15
Avant l'utilisation de la cave à vin	16
Installation de votre cave à vin	16
Attention	17
Température ambiante mini./maxi.	17
Pièces incluses	18
Pièces internes, stockage et rayonnage	18
Opérations	19
Panneau de commande	19
Utilisation d'autres fonctions	22
Diagramme de stockage	23
Clayettes	24
Remplacement	25



Nettoyage et entretien	26
Nettoyage	26
Coupure de courant	26
Période de vacances	26
Déplacement de votre cave à vin	26
Conseils pour l'économie d'énergie	26
Dépannage	27
Guide de dépannage	27
Bruits anormaux	28
Garantie	30
États-Unis - Garantie	30
CANADA - Garantie	34

Informations importantes

Avant de commencer



Installateur

- Conservez ces consignes d'utilisation et d'entretien avec votre appareil.

Consommateur

- Veuillez lire ce manuel d'utilisation et d'entretien dans son intégralité avant d'utiliser votre cave à vin. Gardez-le pour le consulter ultérieurement.

- La conception générale et/ou les accessoires peuvent varier d'un modèle à un autre.

Conservez votre reçu de vente ou un chèque annulé. Une preuve d'achat originale indiquant la date d'achat est requise pour le service de garantie.

Repérez les numéros de modèle et de série pour préparer votre appareil.

Vous trouverez ces numéros sur l'étiquette située à l'intérieur de la paroi de la cave à vin. Notez ces numéros ci-dessous pour plus de praticité.

Numéro de modèle	
Numéro de série	
Date d'achat	

Consignes de sécurité

- Avant d'utiliser votre nouveau cave à vin Dacor, veuillez lire attentivement ce manuel afin de vous assurer que vous savez comment utiliser de manière sûre et efficace ses différentes fonctionnalités.
- Cet appareil n'est pas conçu pour être utilisé par des personnes (y compris des enfants) manquant d'expérience et de connaissances, ou dont les capacités physiques, sensorielles ou mentales sont réduites, sauf si ces personnes sont sous la surveillance ou ont reçu les instructions d'utilisation appropriées de la personne responsable de leur sécurité. Il est nécessaire de surveiller les enfants pour s'assurer qu'ils ne jouent pas avec l'appareil.
- Les instructions suivantes concernent plusieurs modèles ; il est donc possible que les caractéristiques de votre cave à vin soient légèrement différentes de celles spécifiées dans ce manuel.
- Il est dangereux pour quiconque qui n'est pas un agent de maintenance autorisé d'entretenir cet appareil.
- Le gaz réfrigérant qui pourrait s'échapper des tuyaux risquerait de s'enflammer ou de provoquer des lésions oculaires. En cas de fuite de réfrigérant, n'approchez pas de flamme nue, éloignez tout objet inflammable de l'appareil et aérez immédiatement la pièce.
 - Le non-respect de cette consigne risquerait de provoquer un incendie ou une explosion.

AVERTISSEMENT

- Le gaz réfrigérant utilisé est le R-600a. Cet appareil contient du gaz inflammable (gaz réfrigérant R-600a) ; veuillez communiquer avec les autorités locales pour obtenir des renseignements sur la mise au rebut en toute sécurité de votre appareil.
- Afin d'éviter la création d'un mélange gaz-air inflammable lorsqu'une fuite se produit dans le circuit frigorifique, la taille de la pièce où l'appareil peut être placé doit être déterminée en fonction de la quantité de gaz réfrigérant utilisée. La pièce doit avoir un volume de 35,3 pi³ pour chaque 8 g de gaz réfrigérant R-600a à l'intérieur de l'appareil.
- L'emplacement choisi pour l'installation ne doit pas être exposé à la lumière directe du soleil et ne doit pas être placé à proximité d'une source de chaleur ou d'un autre appareil électrique, par exemple d'une cuisinière, d'un four ou encore d'un radiateur.
- Pour des raisons de sécurité, si vous utilisez deux appareils côte à côte, assurez-vous d'utiliser des appareils certifiés dans les atmosphères contenant des gaz explosifs.
- Ne démarrez jamais un appareil qui présente des signes d'endommagement. En cas de doutes, communiquez avec votre revendeur.



Avertissement : risque d'incendie / matières inflammables



Consignes de sécurité

Consignes de sécurité importantes et symboles :

Veillez suivre toutes les consignes de sécurité fournies dans le présent manuel. Le présent manuel utilise les symboles de sécurité suivants.

AVERTISSEMENT

Pratiques inadaptées ou dangereuses susceptibles de causer **des blessures graves, voire mortelles, et des dommages matériels.**

ATTENTION

Pratiques inadaptées ou dangereuses susceptibles de causer **des blessures graves et/ou des dommages matériels.**

REMARQUE

Informations utiles qui aident l'utilisateur à comprendre ou à utiliser au mieux sa cave à vin.

Ces symboles d'avertissement ont pour but d'éviter tout risque de blessure.

Respectez-les en toutes circonstances.

Lisez attentivement la présente section et conservez le guide en lieu sûr afin de pouvoir le consulter ultérieurement.

Avertissement de la proposition 65 de l'État de Californie

AVERTISSEMENT

Cancer et troubles de la reproduction : www.P65Warnings.ca.gov.

Mesures importantes de sécurité

AVERTISSEMENT

- Remplir uniquement avec de l'eau potable.
- Maintenir dégagées les ouvertures de ventilation dans l'enceinte de l'appareil ou dans la structure d'encastrement.
- Ne pas utiliser de dispositifs mécaniques ou autres moyens pour accélérer le processus de dégivrage autres que ceux recommandés par le fabricant.
- Ne pas endommager le circuit de réfrigération.
- Ne pas utiliser d'appareils électriques à l'intérieur du compartiment de stockage des denrées, à moins qu'ils ne soient du type recommandé par le fabricant.
- Raccorde à une source d'eau potable uniquement.



AVERTISSEMENT

- Risque d'enfermer les enfants. Avant de jeter votre vieil appareil :
 - Retirer les portes.
 - Laisser les tablettes en place pour que les enfants ne puissent pas facilement grimper à l'intérieur.

ATTENTION

- Risque d'incendie ou d'explosion. Fluide frigorigène inflammable utilisé. Ne pas utiliser de dispositifs mécaniques pour dégivrer l'appareil. Ne perforez pas de tube de liquide frigorigène.
- Risque d'incendie ou d'explosion. Fluide frigorigène inflammable utilisé. Les réparations doivent être effectuées uniquement par un personnel d'entretien qualifié. Ne perforez pas de tube de liquide frigorigène.
- Risque d'incendie ou d'explosion. Fluide frigorigène inflammable utilisé. Consultez le guide de réparation/Guide d'utilisation avant de tenter une intervention sur cet appareil. Toutes les consignes de sécurité doivent être respectées.
- Risque d'incendie ou d'explosion. Procédez correctement à la mise au rebut en respectant les réglementations fédérales ou locales en vigueur. Fluide frigorigène inflammable utilisé.
- Risque d'incendie ou d'explosion en cas de perforation de tube de gaz réfrigérant ; respectez scrupuleusement les instructions de manipulation. Fluide frigorigène inflammable utilisé.
- Pour éviter que les enfants ne se retrouvent enfermés, gardez hors de portée des enfants et éloignés de l'appareil.

Cet appareil est destiné à être utilisé dans les applications domestiques et similaires telles que :

- les zones de cuisine du personnel dans les magasins, bureaux et autres environnements de travail ;
- les fermes et clients d'hôtels, motels et autres environnements de type résidentiels ;
- l'environnement de type « chambres d'hôtes » ;
- applications de restauration et collectives similaires.

Symboles de mise en garde importants concernant le transport et le lieu d'installation

AVERTISSEMENT

- Veillez à ce qu'aucune pièce du circuit frigorifique ne soit endommagée pendant le transport ou l'installation de l'appareil.
 - Risque d'incendie ou de lésions oculaires en cas de fuite de réfrigérant. En cas de fuite, n'approchez pas de flamme nue ou de source d'inflammation potentielle et aérez la pièce pendant plusieurs minutes.
 - Cet appareil contient une faible quantité de réfrigérant isobutane (R-600a), un gaz naturel présentant une compatibilité écologique élevée, mais qui est aussi inflammable.



Consignes de sécurité

Avertissements importants concernant l'installation

AVERTISSEMENT

- N'installez pas la cave à vin dans un lieu humide ou dans un lieu où elle est susceptible d'être en contact avec de l'eau.
 - Une détérioration de l'isolation sur des composants électriques est susceptible de provoquer un choc électrique ou un incendie.
- N'installez pas la cave à vin dans un endroit exposé à lumière directe du soleil ou à proximité d'une cuisinière, d'un appareil de chauffage ou d'autres appareils.
- Ne branchez pas plusieurs appareils dans la même multiprise. La cave à vin doit toujours être branchée dans une prise de courant indépendante dotée d'une tension nominale correspondant à celle figurant sur la plaque signalétique de la cave à vin.
 - Vous obtiendrez de meilleurs résultats et éviterez également une surcharge des circuits électriques, ce qui risquerait d'entraîner une surchauffe des fils et un risque d'incendie.
- Ne branchez pas la fiche d'alimentation dans une prise murale mal fixée.
 - Un choc électrique ou un incendie pourraient en résulter.
- N'utilisez pas de cordon dont la gaine est craquelée ou endommagée à quelque endroit ou à l'une de ses extrémités.
- Ne pliez pas le cordon d'alimentation à l'excès et ne posez pas d'objets lourds dessus.
- Ne tirez pas ou ne pliez pas excessivement le cordon d'alimentation.
- Ne tordez pas ou ne nouez pas le cordon d'alimentation.
- N'accrochez pas le cordon d'alimentation sur un objet métallique, n'insérez pas le cordon d'alimentation entre des objets, ou n'enfonchez pas le cordon d'alimentation dans l'espace situé derrière l'appareil.
- Ne débranchez jamais la cave à vin en tirant sur le cordon d'alimentation. Maintenez toujours fermement la fiche pour la débrancher de la prise de courant.
 - Tout dommage causé au cordon est susceptible d'entraîner un court-circuit, un incendie et/ou un choc électrique.
- Dans cet appareil, ne stockez pas de substances explosives telles que des aérosols avec un propulseur inflammable.
- N'installez pas cet appareil près d'un matériau inflammable.
- N'installez pas cet appareil dans un endroit où des fuites de gaz sont susceptibles de se produire.
 - Un choc électrique ou un incendie pourraient en résulter.
- Cette cave à vin doit être correctement située et installée conformément aux instructions du présent guide avant d'être utilisée.
- Branchez la fiche d'alimentation de façon à ce que le cordon pende vers le bas.
 - Si vous branchez la fiche d'alimentation à l'envers, le fil est susceptible de se rompre et de provoquer un incendie ou un choc électrique.



- Assurez-vous que la fiche d'alimentation n'est pas écrasée ou endommagée par le dos de la cave à vin.
- Gardez les matériaux d'emballage hors de portée des enfants.
 - Il y a un risque d'asphyxie si un enfant place les matériaux d'emballage sur sa tête.
- L'appareil doit être positionné de façon à ce que la fiche reste accessible après l'installation.
 - Le non-respect de cette consigne risquerait de provoquer un choc électrique ou un incendie en raison de fuites électriques.
- N'installez pas cet appareil dans un lieu humide, huileux ou poussiéreux, ni dans un endroit exposé directement au soleil ou à l'eau (gouttes de pluie).
 - Une détérioration de l'isolation sur des composants électriques est susceptible de provoquer un choc électrique ou un incendie.
- Si de grandes quantités de poussière ou d'eau entrent dans la cave à vin, mettez l'appareil hors tension et prenez contact avec votre centre de service Dacor.
 - Sinon, il pourrait y avoir un risque d'incendie.
- Vous devez retirer toutes les pellicules protectrices en plastique avant de brancher l'appareil pour la première fois.
- Les enfants doivent être sous surveillance afin de s'assurer qu'ils ne jouent pas avec les circlips utilisés pour l'ajustement de la porte ou avec les brides du tuyau d'eau.
 - Il existe un risque de mort par suffocation si un enfant avale un circlip ou une bride du tuyau d'eau. Tenez les circlips et les brides du tuyau d'eau hors de portée des enfants.
- La cave à vin doit être correctement mise à la terre.
 - Veillez toujours à ce que la cave à vin soit branchée à la terre avant de vérifier ou de réparer n'importe quelle partie de l'appareil. Les fuites électriques peuvent provoquer des chocs électriques graves.
- N'utilisez jamais de conduites de gaz, de fils téléphoniques ou d'autres éléments susceptibles d'attirer la foudre pour relier l'appareil à la terre.
 - La cave à vin doit être mise à la terre afin d'éviter les dissipations d'énergie ou les chocs électriques provoqués par les fuites de courant de la cave à vin.
 - Le non-respect de cette consigne risque d'entraîner un choc électrique, un incendie, une explosion ou un dysfonctionnement de l'appareil.
 - Toute utilisation non conforme de la fiche de mise à la terre peut présenter un risque de choc électrique. Si l'utilisation d'une rallonge s'avère nécessaire, utilisez uniquement une rallonge à trois fils munie d'une fiche de mise à la terre à trois broches que vous brancherez dans une prise à trois alvéoles compatible avec la fiche de l'appareil. Les caractéristiques électriques de la rallonge doivent être de 115-120 V c.a. et 10 A minimum. Si un adaptateur de mise à la terre est utilisé, vérifiez que la boîte de prise de courant est entièrement mise à la terre.
- Branchez fermement la fiche dans la prise murale. N'utilisez pas de fiche d'alimentation endommagée, de cordon d'alimentation endommagé ou de prise murale mal fixée.
 - Un choc électrique ou un incendie pourraient en résulter.



Consignes de sécurité

- Si le cordon d'alimentation est endommagé, demandez son remplacement immédiat par le fabricant ou ses fournisseurs de service.
- Seul un technicien qualifié ou une société de service doit être autorisé(e) à changer le fusible dans la cave à vin.
 - Le non-respect de cette consigne risquerait de provoquer un choc électrique ou des blessures corporelles.
- La prise murale doit être facilement accessible afin de pouvoir rapidement débrancher l'appareil de la prise murale en cas d'urgence.
- Elle doit se situer en dehors de la zone arrière de l'appareil.
- Lors du positionnement de l'appareil, assurez-vous que le cordon d'alimentation n'est pas coincé ou endommagé.
- Ne placez pas plusieurs prises ou alimentations électriques à l'arrière de l'appareil.
- Maintenir dégagées les ouvertures de ventilation dans l'enceinte de l'appareil ou dans la structure d'encastrement.
- Afin d'éviter tout danger lié à l'instabilité de l'appareil, ce dernier doit être fixé conformément aux instructions.

Installation en toute sécurité

ATTENTION

- Laissez un espace suffisant autour de la cave à vin et installez celle-ci sur une surface plane.
 - N'obstruez pas l'espace de ventilation à l'intérieur de l'appareil ou de son caisson.
- Après avoir installé et mis sous tension votre cave à vin, laissez l'appareil au repos pendant 2 heures avant de le remplir de vin.
- Il est fortement recommandé de faire appel à un technicien qualifié ou à une entreprise de dépannage pour installer votre cave à vin.
 - Le non-respect de cette consigne risque d'entraîner un dysfonctionnement, un choc électrique, un incendie, une explosion ou des blessures corporelles.



Avertissements importants concernant l'utilisation

AVERTISSEMENT

- Ne branchez pas la fiche d'alimentation dans une prise murale si vous avez les mains mouillées.
 - Cela pourrait causer un choc électrique.
- N'entreposez pas d'objets sur le dessus de l'appareil.
 - Lors de l'ouverture ou de la fermeture de la porte, les objets pourraient tomber et provoquer des blessures corporelles et/ou des dommages matériels.
- Ne placez pas vos mains, vos pieds, ni des objets métalliques (baguettes métalliques, etc.) sous la cave à vin ou à l'arrière de celle-ci.
 - Un choc électrique ou des blessures corporelles pourraient en résulter.
 - Les bords coupants sont susceptibles de provoquer des blessures corporelles.
- Ne placez pas de récipient rempli d'eau sur la cave à vin.
 - En cas de renversement, cela pourrait entraîner un incendie ou un choc électrique.
- Ne stockez pas d'objets ou de substances volatiles ou inflammables (benzène, diluant, propane, alcool, éther, gaz liquéfié et toute autre substance similaire) dans la cave à vin.
 - La cave à vin a été conçue exclusivement pour le rangement de vin.
 - Cela pourrait entraîner un incendie ou une explosion.
- Il est nécessaire de surveiller les enfants pour s'assurer qu'ils ne jouent pas avec l'appareil.
 - Maintenez les doigts éloignés des zones contenant des « points de pincement ». Le jeu entre les portes et l'armoire doit nécessairement être faible. Soyez attentif lorsque vous ouvrez les portes si des enfants se trouvent dans la zone.
- Ne laissez pas les enfants se suspendre à la porte de l'appareil. Ils risqueraient de se blesser.
- Ne laissez pas les enfants entrer dans la cave à vin. Ils risqueraient de rester emprisonnés.
- Ne placez pas vos mains sous l'appareil.
 - Les bords coupants sont susceptibles de provoquer des blessures corporelles.
- Ne rangez pas de produits pharmaceutiques, chimiques ou sensibles aux températures dans la cave à vin.
 - Les produits nécessitant un contrôle strict de la température ne doivent pas être entreposés dans la cave à vin.
- Ne placez pas et n'utilisez pas d'appareil électrique à l'intérieur de la cave à vin sauf s'il s'agit d'un type recommandé par le fabricant.
- Si l'appareil dégage de la fumée, mettez-le immédiatement hors tension puis prenez contact avec votre centre de service Dacor.
- Si de grandes quantités de poussière ou d'eau entrent dans la cave à vin, débranchez la fiche et prenez contact avec votre centre de service Dacor.
 - Sinon, il pourrait y avoir un risque d'incendie.
- Ne laissez pas les portes de la cave à vin ouvertes lorsque la cave à vin n'est pas sous surveillance et ne laissez pas les enfants se glisser à l'intérieur de l'appareil.
 - Ils pourraient s'étouffer ou se blesser.



Consignes de sécurité

- Ne remplissez pas trop la cave à vin.
 - Lors de l'ouverture de la porte, un article pourrait tomber et provoquer des blessures corporelles ou des dommages matériels.
- Ne vaporisez pas de substance volatile telle qu'un insecticide sur la surface de l'appareil.
 - Ces produits peuvent s'avérer dangereux pour la santé et risquent en outre de provoquer un choc électrique, un incendie ou un dysfonctionnement de l'appareil.
- N'utilisez pas ni n'entrez pas de substances thermosensibles (ex. : pulvérisateurs ou objets inflammables, glace sèche, médicaments ou produits chimiques) à proximité ou à l'intérieur de la cave à vin.
- N'utilisez pas de séchoir à cheveux pour sécher l'intérieur de la cave à vin. Ne placez pas de bougie allumée à l'intérieur de la cave à vin pour en éliminer les mauvaises odeurs.
 - Un choc électrique ou un incendie pourraient en résulter.
- Ne pas utiliser de dispositifs mécaniques ou autres moyens pour accélérer le processus de dégivrage autres que ceux recommandés par le fabricant.
- Ne pas endommager le circuit de réfrigération.
- Si une fuite de gaz est détectée, évitez toute flamme nue ou source potentielle d'inflammation et aérez pendant plusieurs minutes la pièce dans laquelle se trouve l'appareil.
 - Ne touchez pas à l'appareil ou au cordon d'alimentation.
 - N'utilisez pas de ventilateur.
 - Une étincelle risquerait de provoquer une explosion ou un incendie.
- Utilisez uniquement les ampoules DEL fournies par le fabricant ou son réparateur agréé.
- Ne tentez pas de réparer, démonter ou modifier la cave à vin vous-même.
 - Des modifications non autorisées peuvent générer des problèmes de sécurité. Pour annuler une modification non autorisée, nous facturons le coût total des pièces et de la main d'œuvre.
- N'utilisez aucun fusible (tel que du cuivre, un fil d'acier, etc.) autre qu'un fusible standard.
- Si votre cave à vin doit être réparée ou réinstallée, communiquez avec le centre de service le plus proche.
 - Le non-respect de cette consigne risque d'entraîner un dysfonctionnement, un choc électrique, un incendie ou des blessures corporelles.
- Veuillez contacter votre centre de service Dacor le plus proche lorsque l'ampoule DEL intérieure ou extérieure est grillée.
- Si la cave à vin dégage une odeur de brûlé ou de la fumée, débranchez-la immédiatement et prenez contact avec un centre de service Dacor.
 - Le non-respect de cette consigne risquerait de provoquer un incendie ou un choc électrique.
- Débranchez la cave à vin avant de remplacer les ampoules intérieures.
 - Sinon, il pourrait y avoir un risque de choc électrique.
- Communiquez avec votre centre de service Dacor si vous éprouvez des difficultés à remplacer une ampoule (qui n'est pas une DEL).



-
- Si l'appareil est équipé d'ampoules DEL, ne démontez pas vous-même les caches des lampes et les ampoules.
 - Contactez un centre de service Dacor.
 - Branchez fermement la fiche dans la prise murale.
 - N'utilisez pas de fiche d'alimentation endommagée, de cordon d'alimentation endommagé ou de prise murale mal fixée.
 - Un choc électrique ou un incendie pourraient en résulter.
 - N'exposez pas les accessoires internes, tels que les casiers à bouteilles de vin, les présentoirs de bouteilles et les clayettes, à la lumière directe du soleil pendant une période prolongée.

Utilisation en toute sécurité

ATTENTION

- Pour un fonctionnement optimal de l'appareil :
 - Ne placez pas du vin trop près des orifices de ventilation à l'arrière de la cave à vin car cela pourrait empêcher la libre circulation de l'air dans le compartiment de la cave à vin.
- Garantie de réparation et modification.
 - Les changements et modifications apportés à cet appareil par un tiers ne sont pas couverts par le service de garantie Dacor. Dacor ne peut être tenue responsable des problèmes de sécurité résultant des modifications apportées par un tiers.
- N'obstruez pas les orifices de ventilation à l'intérieur de la cave à vin.
 - Si les ventilations d'air sont obstruées, notamment par un sac en plastique, la cave à vin risque de trop refroidir.
- Si la cave à vin est débranchée de la prise d'alimentation, patientez au moins cinq minutes avant de la rebrancher.
- Si de grandes quantités d'eau entrent dans la cave à vin, mettez l'appareil hors tension et prenez contact avec un centre de service Dacor.
- Ne frappez pas une surface en verre ou n'y appliquez pas une force excessive.
 - Du verre brisé pourrait entraîner des blessures corporelles et/ou des dommages.
- Si la cave à vin est inondée, coupez l'alimentation de cette dernière et prenez contact avec votre centre de service Dacor le plus proche.
 - Un choc électrique ou un incendie pourraient en résulter.



Consignes de sécurité

Nettoyage en toute sécurité

ATTENTION

- Ne vaporisez pas directement de l'eau à l'intérieur ou à l'extérieur de la cave à vin.
 - Risque d'incendie ou de choc électrique.
- N'utilisez pas de séchoir à cheveux pour sécher l'intérieur de la cave à vin.
- Ne placez pas de bougie allumée à l'intérieur de la cave à vin pour en éliminer les mauvaises odeurs.
 - Un choc électrique ou un incendie pourraient en résulter.
- Ne vaporisez pas de produit de nettoyage directement sur l'écran.
 - Les caractères imprimés risqueraient de s'effacer.
- Si un corps étranger tel que de l'eau a pénétré dans l'appareil, débranchez ce dernier et communiquez avec le centre de service le plus proche.
 - Le non-respect de cette consigne risquerait de provoquer un incendie ou un choc électrique.
- Utilisez un chiffon propre et sec pour éliminer toute poussière ou corps étranger des lames de la fiche d'alimentation. N'utilisez pas de chiffon mouillé ou humide lors du nettoyage de la fiche.
 - Sinon, il pourrait y avoir un risque d'incendie ou de choc électrique.
- Ne nettoyez pas l'appareil en vaporisant de l'eau directement sur celui-ci.
- N'utilisez pas de benzène, de diluant ou d'eau de Javel (Clorox) pour le nettoyage de la cave à vin.
 - Ces produits risquent d'endommager la surface de l'appareil et de provoquer un incendie.
- Débranchez l'appareil de la prise murale avant de le nettoyer et d'en faire l'entretien.
 - Le non-respect de cette consigne risquerait de provoquer un incendie ou un choc électrique.





Avertissements importants concernant la mise au rebut

AVERTISSEMENT

- Jetez le matériel d'emballage de cet appareil dans le respect de l'environnement.
- Assurez-vous qu'aucun des tuyaux situés à l'arrière de la cave à vin n'est endommagé avant sa mise au rebut.
- Le gaz réfrigérant utilisé est le R-600a. Cet appareil contient du gaz inflammable (gaz réfrigérant R-600a) ; veuillez communiquer avec les autorités locales pour obtenir des renseignements sur la mise au rebut en toute sécurité de votre appareil.
- Du cyclopentane est utilisé comme isolant. Les gaz utilisés pour l'isolation nécessitent une procédure d'élimination spéciale. Pour obtenir des renseignements sur la façon écologique de mettre cet appareil au rebut, veuillez communiquer avec les autorités locales.
- Conservez les éléments d'emballage hors de portée des enfants, car ils présentent un danger pour ces derniers.
 - Un enfant pourrait suffoquer s'il met sa tête dans un sac.

Avant la mise au rebut de l'appareil

1. Débranchez la fiche de la prise secteur.
2. Coupez le cordon d'alimentation principal et jetez-le.



Les bons gestes de mise au rebut de ce produit

Ce symbole apposé sur le produit, ou dans son emballage, indique que ce produit ne peut pas être traité comme un déchet ménager. Il doit être déposé dans un point de ramassage de déchet approprié pour le recyclage des équipements électriques et électroniques. En assurant la mise au rebut correcte de ce produit, vous éviterez les conséquences potentielles néfastes sur l'environnement et la santé humaine qui pourraient se produire suite à une gestion des déchets inappropriée de ce produit. Pour de plus amples informations concernant son recyclage, veuillez contacter votre mairie locale, votre service d'enlèvement des ordures ménagères, ou bien le magasin dans lequel vous avez acheté le produit.



Consignes de sécurité

Avant l'utilisation de la cave à vin

- Retirez l'emballage extérieur et intérieur.
- Avant de brancher la cave à vin à une alimentation électrique, placez-la à la verticale pendant environ 2 heures. Cela réduit la possibilité de dysfonctionnement dans le système de refroidissement dû à la manipulation durant le transport.
- Nettoyez les surfaces intérieures à l'aide d'un chiffon doux et de l'eau tiède.
- Cet appareil est destiné à être utilisé dans les applications domestiques et similaires telles que :
 - les zones de cuisine du personnel dans les magasins, bureaux et autres lieux de travail ;
 - les fermes et clients d'hôtels, motels et autres lieux résidentiels ;
 - les lieux de type « chambres d'hôtes » et similaires ;
 - les applications de restauration et collectives similaires.
- Lors de la mise au rebut de votre appareil, veuillez choisir un site de traitement des déchets autorisé.

Installation de votre cave à vin

- L'appareil a été conçu pour une installation non encastrable ou intégrée (complètement encastrée) (voir l'emplacement de l'autocollant à l'arrière de l'appareil).
- Cet appareil est destiné à être utilisé pour stocker exclusivement du vin.
- Placez votre cave à vin sur un sol suffisamment résistant pour supporter son poids lorsqu'elle est entièrement chargée. Pour mettre à niveau votre cave à vin, réglez le pied de mise à niveau avant situé en bas de l'appareil.
- Cet appareil utilisant un réfrigérant inflammable, la tuyauterie de refroidissement ne doit jamais être endommagée durant le transport. Installez la cave à vin à l'abri de la lumière directe du soleil et loin des sources de chaleur (cuisinière, chauffage, radiateur, etc.). La lumière directe du soleil peut altérer le revêtement acrylique et les sources de chaleur peuvent augmenter la consommation électrique. Des températures extrêmement froides peuvent également dégrader la performance de l'appareil.
- Évitez d'installer l'appareil dans des endroits humides.
- Branchez la cave à vin sur une prise murale dédiée correctement installée/mise à la terre. Ne coupez et ne retirez jamais la troisième broche (mise à la terre) du cordon d'alimentation. Si vous avez des questions concernant l'alimentation électrique et/ou la mise à la terre, adressez-vous à un électricien certifié ou un centre de service Dacor agréé.

Attention

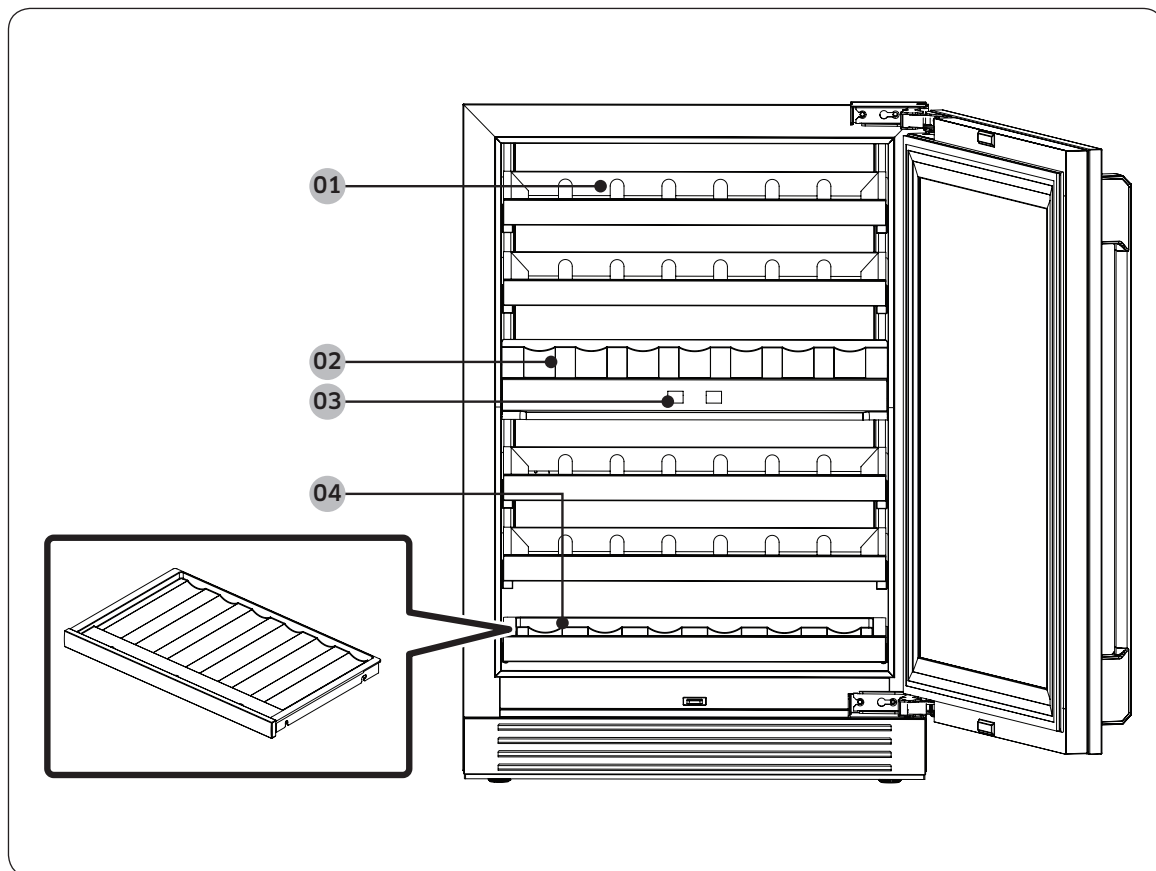
- Stockez le vin dans des bouteilles scellés.
- Ne surchargez pas le meuble.
- N'ouvrez la porte que si nécessaire.
- Ne couvrez pas les clayettes de papier aluminium ou d'autre matériau de clayette pouvant empêcher la circulation de l'air.
- Si la cave à vin reste inutilisée pendant une période prolongée, il est recommandé, après un nettoyage soigneux, de laisser la porte entrouverte afin de permettre à l'air de circuler à l'intérieur du meuble et d'éviter ainsi de la formation de condensation, de moisissure ou d'odeurs.

Température ambiante mini./maxi.

Cet appareil est conçu pour fonctionner à des températures ambiantes comprises entre 60 °F et 90 °F (16 °C et 32 °C).

Pièces incluses

Pièces internes, stockage et rayonnage



Pièces incluses

01 Casiers à bouteilles de vin

02 Présentoir de bouteille

03 Panneau de commande et paroi de compartiments

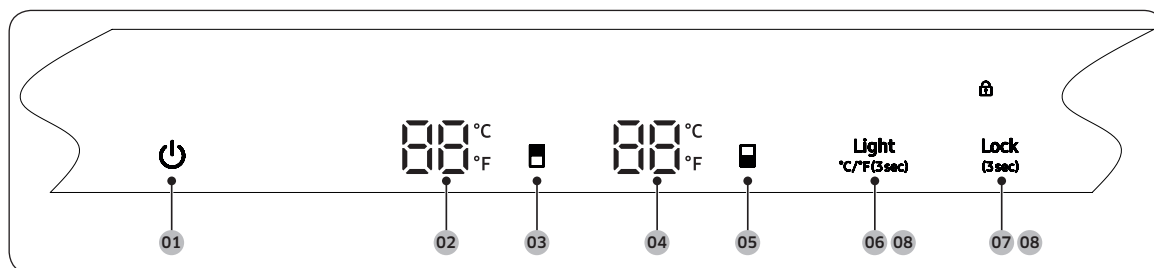
04 Clayette de vin inférieure

REMARQUE

La température actuelle de chacun des compartiments peut varier en fonction des conditions d'utilisation, notamment selon le réglage de température de chaque compartiment.

Opérations

Panneau de commande



1. Bouton

Maintenez ce bouton enfoncé pendant 3 secondes pour la mise sous tension ; maintenez ce bouton enfoncé pendant 3 secondes pour la mise hors tension.

2. Chambre supérieure

Affiche la température réglée pour la chambre supérieure.

3. Bouton de température de la chambre supérieure

- **A (appuyer brièvement)** : Lorsque vous appuyez sur le bouton, le système clignote immédiatement et affiche la température actuellement réglée. Chaque fois que vous appuyez dessus, la valeur de la température réglée change de 1 °C (ou 1 °F).
Si la température maximale autorisée est dépassée, la valeur passe automatiquement à la valeur de température réglable la plus basse (telle que 4 °C/39 °F).
- **B (maintenir enfoncé pendant plus de 1 seconde)** : Lorsque vous appuyez sur le bouton, le système clignote immédiatement et affiche la température actuellement réglée. Lorsque vous maintenez appuyé le bouton, la température réglée augmente de 1 °C (ou 1 °F).
Si la température maximale autorisée est dépassée, la valeur passe automatiquement à la valeur de température réglable la plus basse (telle que 4 °C/39 °F).

4. Chambre inférieure

Affiche la température réglée pour la chambre inférieure.

Opérations

5. **■ Bouton de température de la chambre inférieure**

A (appuyer brièvement) : Lorsque vous appuyez sur le bouton, le système clignote immédiatement et affiche la température actuellement réglée. Chaque fois que vous appuyez dessus, la valeur de la température réglée change de 1 °C (ou 1 °F).

Si la température maximale autorisée est dépassée, la valeur passe automatiquement à la valeur de température réglable la plus basse (telle que 4 °C/39 °F).

B (maintenir enfoncé pendant plus de 1 seconde) : Lorsque vous appuyez sur le bouton, le système clignote immédiatement et affiche la température actuellement réglée. Lorsque vous maintenez appuyé le bouton, la température réglée augmente de 1 °C (ou 1 °F).

Si la température maximale autorisée est dépassée, la valeur passe automatiquement à la valeur de température réglable la plus basse (telle que 4 °C/39 °F).

6. **Light ^{°C/°F} Bouton de luminosité et de conversion °C/°F**

- **A** : Lorsque vous touchez ce bouton, l'appareil émet un signal sonore et la chambre affiche le niveau de luminosité. Si vous ne souhaitez pas modifier le niveau de luminosité, ne touchez pas cette commande. L'écran passe alors à la température après 3 secondes.

Si vous souhaitez modifier la luminosité, touchez ce bouton une fois pour augmenter la luminosité d'un niveau (niveau 0 > 1 > 2 > 3 > 0 ...). L'écran revient alors à la température 3 secondes après avoir terminé le réglage. Cette modification éteint l'éclairage de l'écran aux niveaux 0 à 2.



0 (désactivé)	L'éclairage est désactivé
1 (Niveau 1)	Luminosité de 33 %
2 (Niveau 2)	Luminosité de 66 %
3 (Niveau 3)	Luminosité de 100 %

Lorsque le réglage est mis sur le niveau 0/1/2, l'écran s'allume à l'ouverture de la porte. Si aucun bouton n'est actionné pendant 2 minutes, l'écran s'éteint. Si vous fermez la porte en verre une fois l'écran éteint, l'écran reste éteint. Si vous fermez la porte en verre dans les 2 minutes, l'écran s'éteint après 10 secondes.

Lorsque le réglage est mis sur le niveau 3, l'écran est toujours allumé, que la porte soit ouverte ou fermée.



- **B** : Maintenez enfoncé ce bouton pendant 3 secondes pour basculer entre les unités de température °C et °F.



7. **Bouton de verrouillage**

Lorsque l'appareil est mis sous tension et aucun bouton n'est actionné pendant 1 minute, l'icône de verrouillage  s'affiche et le système passe automatiquement en mode Verrouillage pour verrouiller le panneau de commande. Le système ne fonctionne pas lorsque les boutons sont actionnés en mode Verrouillage. L'icône de verrouillage  clignote 5 fois et un signal sonore est émis.

Maintenez appuyé l'icône de verrouillage pendant 3 secondes pendant que vous êtes en mode Verrouillage. L'icône de verrouillage  clignote trois fois et s'éteint, puis le panneau de commande est déverrouillé.

8. + **Mode Sabbat**



Maintenez enfoncé le bouton  +  pendant 3 secondes. Le code « **Sb on** » (Sabbat activé) s'affiche dans la fenêtre. Le système passe en mode Sabbat et fonctionne conformément à la température préréglée sans émettre de signal sonore, d'actions de boutons, d'éclairage intérieur ou d'alarme de la porte.

Maintenez enfoncé le bouton  +  pendant 3 secondes lorsque vous êtes en mode Sabbat pour quitter le mode Sabbat. Le mode Sabbat reste actif durant les 85 heures suivant son activation. Passé ce délai, il sera automatiquement désactivé.

9. + **Mode Démo**

Le mode Démo est destiné aux vendeurs qui mettent les caves à vin en démonstration dans leur magasin.

En mode Démo, seuls le moteur du ventilateur et les voyants fonctionnent normalement ; les compresseurs sont désactivés pour que la cave à vin ne produise pas de froid.

- Pour passer en mode Démo, maintenez les boutons Bouton de température de la chambre inférieure  et, Lock (Verrouillage) simultanément enfoncés pendant 3 secondes. Le réfrigérateur émet un signal sonore et le message « oF » apparaît sur l'écran de la température.
- Pour quitter le mode Démo, maintenez les boutons Bouton de température de la chambre inférieure  et Lock (Verrouillage) simultanément enfoncés pendant 3 secondes de nouveau. Le réfrigérateur émet un signal sonore et la température actuelle apparaît sur l'écran de la température.



REMARQUE

Si le voyant Verrouillage s'allume, vous devez d'abord désactiver la fonction Verrouillage.

Opérations

Utilisation d'autres fonctions

Le réglage de température par défaut est 54 °F (12 °C).

L'unité de température par défaut est °F.

La température peut être réglée dans une plage comprise entre 39 °F (4 °C) et 64 °F (18 °C).

La température réelle à l'intérieur de l'appareil peut varier en fonction de la température ambiante, du nombre d'ouvertures de la porte et de la température des bouteilles ayant été mises dans l'appareil récemment.

Fonction de mémoire de la température

En cas de coupure de courant, la cave à vin peut se rappeler des réglages de températures précédents et lorsque l'alimentation est rétablie, la température de la cave reste la même qu'avant la coupure de courant.

Alarme d'ouverture trop longue de la porte

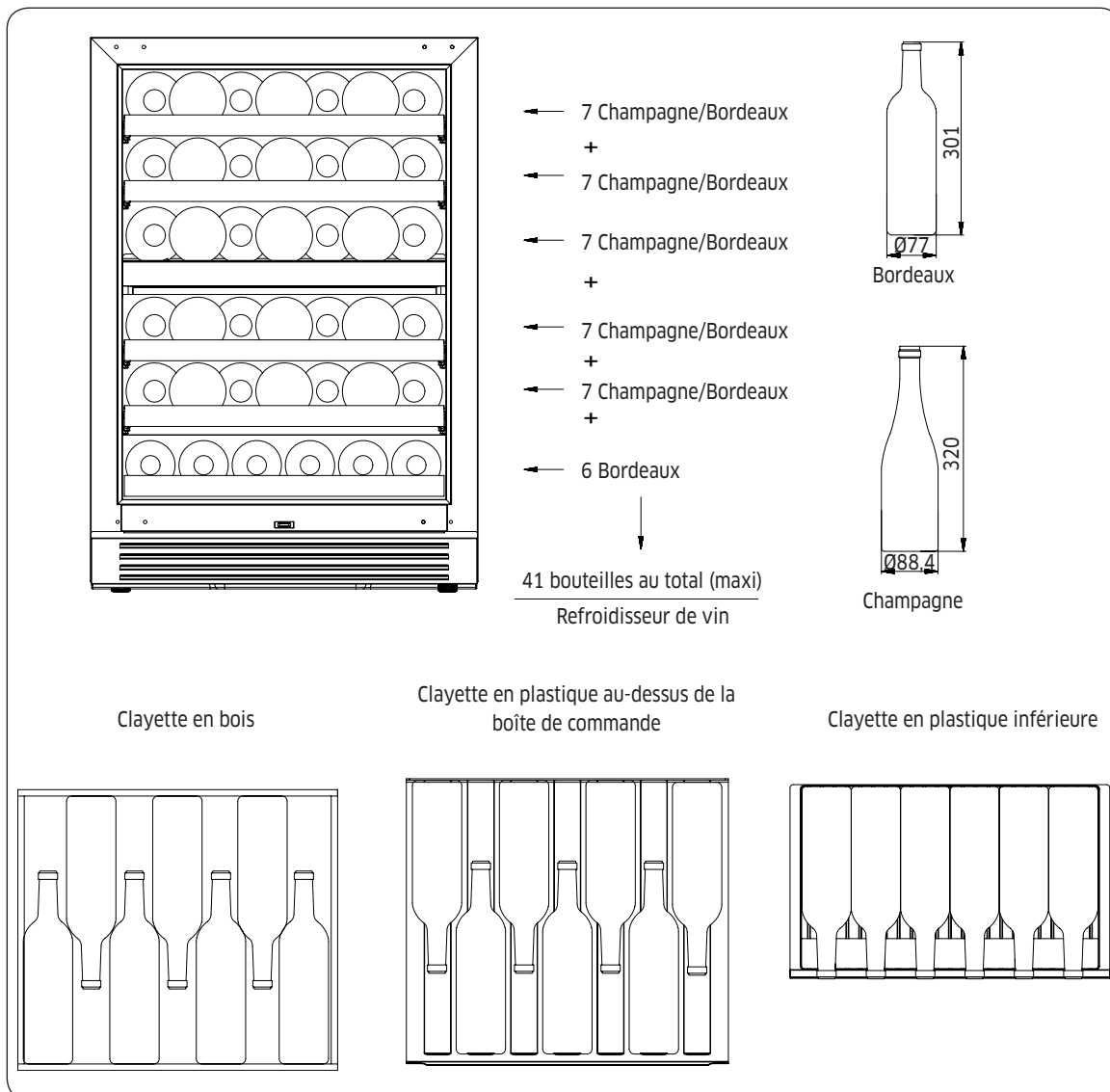
Si la porte est ouverte pendant 2 minutes, une alarme retentit.

Si la porte reste ouverte après l'alarme initiale, l'alarme retentit toutes les minutes. L'alarme d'ouverture de la porte retentit depuis l'intérieur de la cave à vin.

ATTENTION

Si l'appareil est débranché ou éteint ou en cas de coupure de courant, vous devez attendre 3 à 5 minutes avant de redémarrer l'appareil. Si vous essayez de redémarrer la cave à vin avant ce délai, elle ne s'allume pas. Si la cave à vin est utilisée pour la première fois ou n'a pas été utilisée pendant une période prolongée, la température diffère de la température réglée indiquée sur l'écran à DEL. La température revient à son affichage précédent une fois que la cave à vin a fonctionné pendant une certaine période.

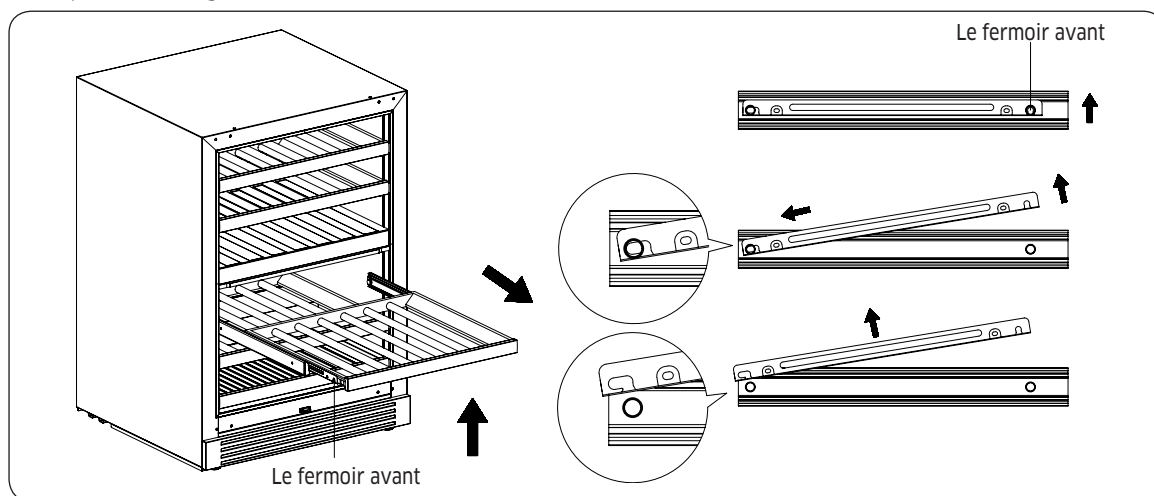
Diagramme de stockage



Opérations

Clayettes

- Pour éviter d'endommager le joint de la porte, assurez-vous que la porte est entièrement ouverte lorsque vous retirez les clayettes de la cave à vin.
 - Pour retirer les clayettes de vin :
1. Déployez entièrement la clayette à retirer.
 2. Levez la partie avant de la clayette.
 3. En tenant l'encoche de la clayette, poussez la clayette vers l'intérieur, puis vers le haut pour la séparer des registres arrière.



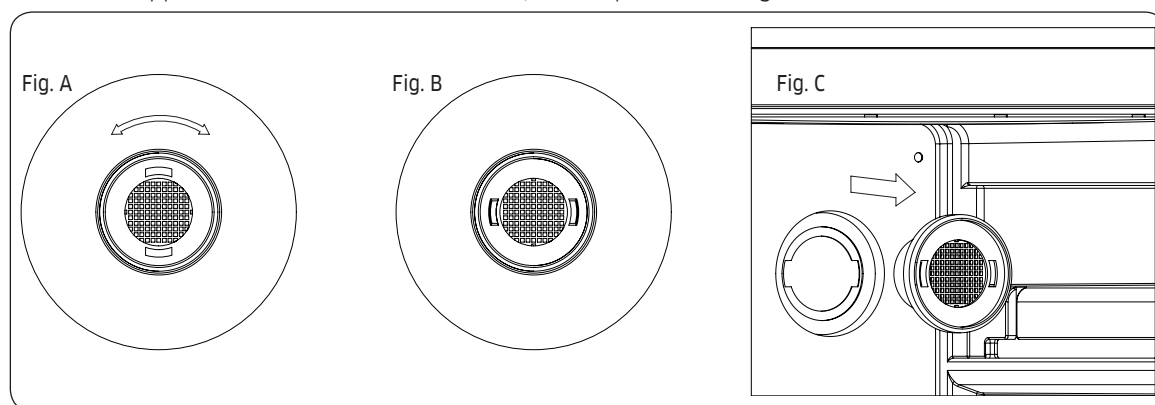
Remplacement

Remplacement du filtre

1. Ouvrez la porte et retirez les clayettes. Tournez le filtre comme indiqué sur la Fig. A.
2. Tournez le filtre pour localiser l'encoche comme indiqué sur la Fig. B.
3. Retirez le filtre comme indiqué sur la Fig. C.
4. Installation du filtre neuf.

REMARQUE

Le filtre doit être remplacé tous les 3 à 6 mois en fonction du niveau d'exposition de l'appareil aux odeurs. Si l'appareil est installé dans la cuisine, un remplacement régulier tous les 3 mois est idéal.





Nettoyage et entretien

Nettoyage

- Mettez l'appareil hors tension, débranchez-le et retirez tous les éléments, y compris les clayettes et le casier.
- Lavez les surfaces intérieures avec de l'eau tiède et une solution de détergent doux.
- Lavez les clayettes avec une solution de détergent doux.
- Lors du nettoyage autour des commandes ou des parties électriques, essorez bien l'éponge ou le chiffon pour retirer le surplus d'eau.
- Lavez le meuble à l'extérieur avec de l'eau tiède et une solution de détergent doux. Rincez bien et séchez avec un chiffon propre et doux.

Coupure de courant

- La plupart des coupures de courant sont résolues dans un délai de quelques heures et ne devraient pas affecter la température de votre appareil si vous réduisez le nombre d'ouvertures de la porte au minimum. Si la coupure de courant dure pendant une période prolongée, assurez-vous de prendre les mesures adéquates afin de protéger vos bouteilles de vin.

Période de vacances

- Vacances de courte durée : laissez votre cave à vin en marche pendant les vacances de moins de trois semaines.
- Si l'appareil n'est pas utilisé pendant plusieurs mois, retirez tous les éléments et éteignez l'appareil. Nettoyez et séchez l'intérieur soigneusement. Pour éviter toute formation d'odeurs et de moisissures, laissez la porte légèrement ouverte en la calant en position ouverte, si nécessaire.

Déplacement de votre cave à vin

- Retirez tous les éléments.
- Retirez les éléments non fixés à l'intérieur de la case à vin (par ex. les clayettes) ou utilisez de la mousse pour maintenir ces éléments en place.
- Tournez les pieds réglables jusqu'à la base pour éviter tout dommage.
- Fermez la porte et maintenez-la fermée à l'aide d'un ruban.
- Assurez-vous que l'appareil reste correctement en position verticale pendant le transport. Protégez également l'extérieur de l'appareil à l'aide d'un drap ou d'un objet similaire.

Conseils pour l'économie d'énergie

- La cave à vin doit se situer dans la zone la plus froide de la pièce, loin des appareils produisant de la chaleur et de la lumière directe du soleil.



Dépannage

Guide de dépannage

Avant de contacter le service d'assistance, vérifiez les points ci-dessous. Tout appel d'assistance concernant des situations normales (pas de défaillances) sera facturé aux utilisateurs.

Symptôme	Causes possibles
La cave à vin de fonctionne pas	<ul style="list-style-type: none">• L'appareil n'est pas branché.• L'appareil est éteint.• Le disjoncteur s'est déclenché ou un fusible a sauté
La cave à vin n'est pas assez froide	<ul style="list-style-type: none">• Vérifiez le réglage de température.• Un réglage plus élevé peut être nécessaire en fonction des conditions environnantes de la cave à vin.• La porte a été ouverte trop souvent.• La porte n'est pas complètement fermée.• Le joint de la porte ne scelle pas correctement.
S'allume et s'éteint fréquemment	<ul style="list-style-type: none">• La température ambiante est plus chaude que d'habitude.• Le meuble est surchargé.• La porte a été ouverte trop souvent.• La porte n'est pas complètement fermée.• Le système de contrôle de la température n'est pas réglé correctement.• Le joint de la porte ne scelle pas correctement.
L'éclairage ne fonctionne pas	<ul style="list-style-type: none">• L'appareil n'est pas branché.• Le disjoncteur s'est déclenché ou un fusible a sauté• L'ampoule a grillé.• Le bouton de l'éclairage est mis sur « OFF » (désactivé).
Vibrations	<ul style="list-style-type: none">• Assurez-vous que la cave à vin est bien à niveau.
Trop de bruit	<ul style="list-style-type: none">• Un bruit de cliquetis peut venir du flux de réfrigérant ce qui est normal.• À chaque fin de cycle, vous pouvez entendre des gargouillements.• La contraction et l'expansion des parois intérieures peuvent entraîner des craquements et des grésillements.• La cave à vin n'est pas à niveau.
La porte ne se ferme pas correctement	<ul style="list-style-type: none">• La cave à vin n'est pas à niveau.• La porte a été inversée et n'est pas installée correctement.• Le joint est sale.• Les clayettes ne sont pas correctement positionnées.

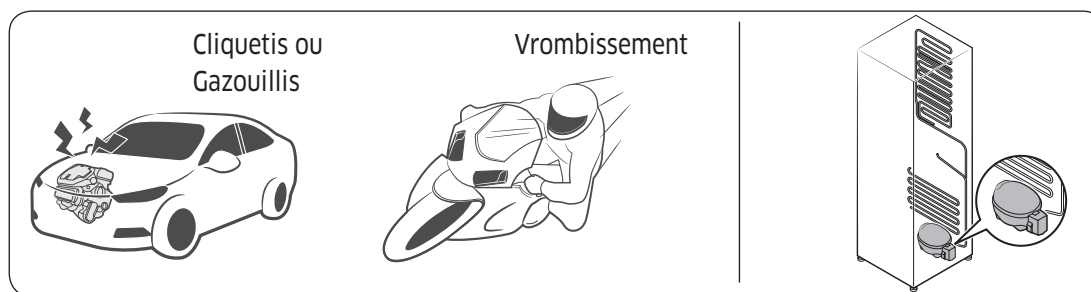
Dépannage

Bruits anormaux

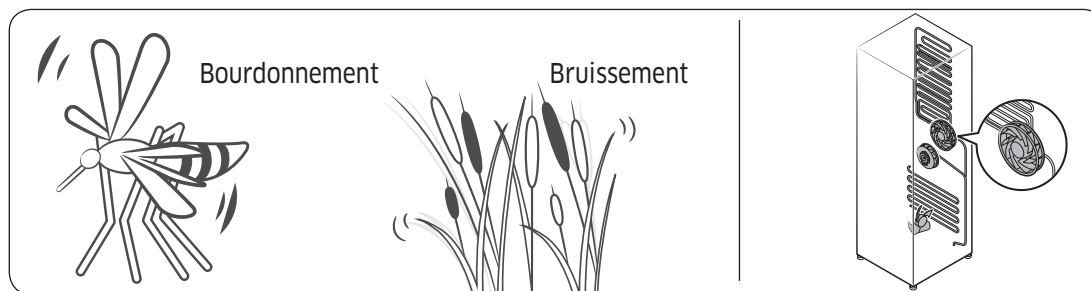
Avant de contacter le service d'assistance, vérifiez les points ci-dessous. Tout appel d'assistance concernant des sons normaux sera facturé à l'utilisateur.

Ces bruits sont normaux.

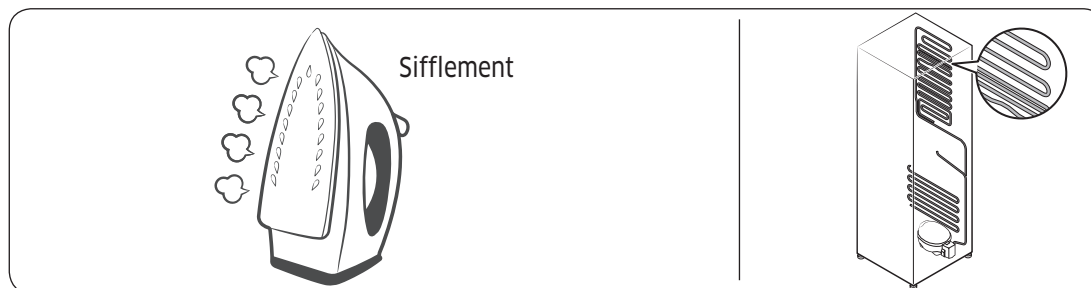
- Lorsque vous démarrez ou arrêtez une opération, la cave à vin peut émettre un son similaire à celui d'un moteur de voiture au démarrage. Ces bruits s'atténueront au fur et à mesure que l'opération se stabilise.



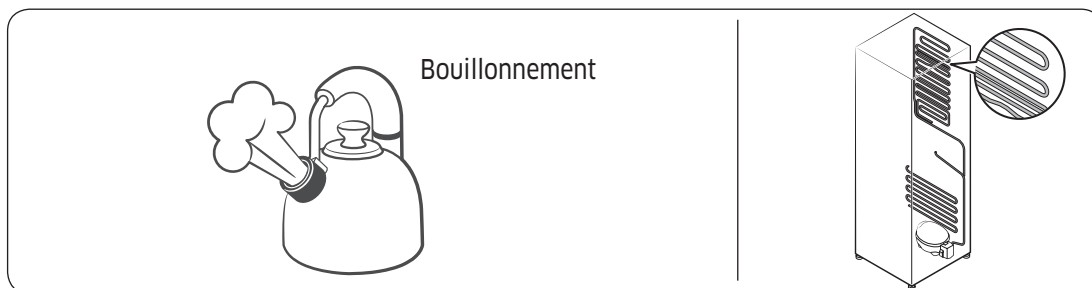
- Ces bruits peuvent être émis lorsque le ventilateur est en marche. Lorsque la cave à vin a atteint la température réglée, le ventilateur ne doit émettre aucun son.



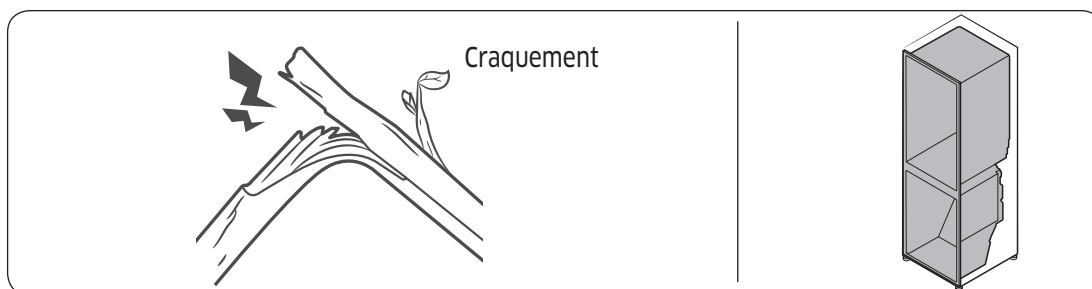
- Lors d'un cycle de dégivrage, de l'eau peut s'écouler sur la résistance de dégivrage et provoquer un grésillement.



- Lorsque la cave à vin refroidit, du gaz réfrigérant se déplace à travers les tuyaux étanches et peut provoquer un bruit de bouillonnement.



- Lorsque la température de la cave à vin augmente ou diminue, les pièces en plastique se contractent et s'étirent, ce qui peut créer des bruits de cognement. Ces bruits se manifestent lors du cycle de dégivrage ou lorsque les pièces électroniques sont en marche.



- L'égalisation de la pression au moment de l'ouverture et de la fermeture de la porte de la cave à vin peut produire des bruits de souffle.

Garantie

Service client

Avant de demander de l'aide ou de programmer une réparation :

1. Essayez les solutions proposées dans le tableau de résolution des problèmes de la section « Dépannage ».
2. Prenez connaissance des conditions de garantie de votre appareil.
3. Si aucun de ces conseils ou suggestions ne permet de résoudre votre problème, rendez-vous sur le site dacor.com ou appelez notre centre de service client au (833) 353-5483 (États-Unis) ou au (844) 509-4659 (Canada).

États-Unis - Garantie

CERTIFICAT DE GARANTIE POUR L'APPAREIL DACOR - ÉTATS-UNIS :

PLEINE GARANTIE DE DEUX ANS

La présente garantie couvre tout défaut de matière ou de fabrication sur le nouvel appareil de la marque Dacor acheté auprès d'un revendeur Dacor agréé ou d'un autre vendeur agréé par Dacor.

L'intégralité de la présente garantie s'applique pendant deux ans à compter de la date de livraison ou de la date de règlement pour les nouvelles constructions, quelle que soit la période la plus longue. Dacor réparera ou remplacera votre appareil.

GARANTIE LIMITÉE

Une fois toute la période de garantie écoulée, cet appareil est garanti contre les défauts de matière ou de fabrication signalés par nos soins pendant les périodes de garantie applicables, comme suit :

3 à 6 ans de possession : pièces et main-d'œuvre sur le système hermétique	Pendant les trois à six premières années de possession, nous prendrons à notre charge les pièces spécifiées d'usine et les coûts de main-d'œuvre pour la réparation afin de corriger les défauts de matière ou de fabrication dans le système de réfrigération hermétique (compresseur, évaporateur, condensateur, déshydrateur et tuyau de raccordement).
7 à 10 ans de possession : pièces seules sur le système hermétique	Pendant les sept à dix premières années de possession, nous prendrons à notre charge uniquement les pièces spécifiées d'usine afin de corriger les défauts dans le système de réfrigération hermétique.
7 à 10 ans de possession : pièces seules sur le compresseur	Pendant les sept à dix premières années de possession, nous prendrons à notre charge uniquement les pièces spécifiées d'usine afin de corriger les défauts dans le compresseur.

Défauts esthétiques. En outre, durant les 60 jours suivant la date de livraison, votre appareil est garanti comme étant exempt de défauts esthétiques de matière et de fabrication (comme des rayures sur l'acier inoxydable, un ternissement de la peinture/porcelaine, éclats, piqûres ou autres dommages sur la finition). Les variations de couleur sont exclues et les appareils de démonstration, d'atelier, « en l'état » ou rénovés sont spécifiquement exclus.

LIMITATIONS DE LA COUVERTURE

L'assistance sera fournie par une entreprise de service désignée par Dacor pendant les heures d'ouverture normales. Veuillez noter que les prestataires de service sont des entités indépendantes et ne sont pas des agents de Dacor.

Le propriétaire doit fournir un justificatif d'achat, le reçu de livraison et/ou un relevé de clôture pour les nouvelles constructions sur demande. Tous les appareils Dacor doivent être accessibles pour pouvoir effectuer l'intervention.

La garantie sera nulle et non avenue sur les appareils altérés, déformés ou en cas d'étiquettes et de numéros de série manquants.

La garantie est nulle et non avenue si des appareils non homologués CSA sont importés des États-Unis.

Garantie

CE QUE LA GARANTIE NE COUVRE PAS

<ul style="list-style-type: none">• En raison des différences entre les pièces peintes, l'éclairage de la cuisine, le placement de l'appareil et d'autres facteurs ; la présente garantie ne s'applique pas aux variations de couleur.	<ul style="list-style-type: none">• Les appels d'assistance pour conseiller le client sur la bonne utilisation et le bon entretien de l'appareil.
<ul style="list-style-type: none">• Les frais de service concernant un transport à destination d'îles ou de zones isolées, incluant sans s'y limiter les ferrys, les autoroutes à péage ou autres frais de transport.	<ul style="list-style-type: none">• Les dommages généraux ou accessoires, incluant sans s'y limiter : perte d'aliments ou de médicaments, temps hors travail, repas en restaurants.
<ul style="list-style-type: none">• L'utilisation à des fins commerciales, professionnelles ou locatives, ou pour toute autre application qu'une utilisation résidentielle.	<ul style="list-style-type: none">• Défaillance de l'appareil provoquée par une mauvaise installation de l'appareil.
<ul style="list-style-type: none">• Remplacement des fusibles, boîtiers à fusibles ou réinitialisation des disjoncteurs.	<ul style="list-style-type: none">• Les dommages causés par un accident, un incendie, une inondation, une coupure de courant, une saute de puissance ou des cas de force majeure.
<ul style="list-style-type: none">• Responsabilité établie pour des dommages sur l'environnement immédiat incluant le mobilier, les sols, les plafonds et autres structures ou objets.	<ul style="list-style-type: none">• Cassure, décoloration ou dommage sur le verre, les surfaces métalliques, les composants plastiques, la peinture ou les finitions causés par un(e) mauvais(e) utilisation, entretien, abus ou négligence.
<ul style="list-style-type: none">• À l'exception des éléments précités, les pièces consommables, telles que les filtres et les ampoules, ne sont pas couvertes et sont donc sous la responsabilité de l'acheteur.	

LES SOLUTIONS FOURNIES DANS LES GARANTIES EXPRESSES CI-DESSUS CONSTITUENT LES SOLUTIONS UNIQUES ET EXCLUSIVES. AINSI, AUCUNE AUTRE GARANTIE EXPRESSE N'EST FAITE ET, EN DEHORS DES CINQUANTE ÉTATS DES ÉTATS-UNIS ET DU CANADA, TOUTE GARANTIE IMPLICITE, INCLUANT SANS POUR AUTANT S'Y LIMITER TOUTE GARANTIE IMPLICITE DE QUALITÉ MARCHANDE OU D'ADÉQUATION À DES FINS OU À UN USAGE PARTICULIERS, EST LIMITÉE À UNE DURÉE D'UN AN À COMPTER DE LA DATE ORIGINALE D'ACHAT. EN AUCUN CAS DACOR NE SERA TENUE RESPONSABLE DE FRAIS ACCESSOIRES OU DE DOMMAGES INDIRECTS. DANS LE CAS OÙ DACOR INTENTERAIT UNE ACTION EN JUSTICE, DACOR POURRA DEMANDER LE REMBOURSEMENT DE TOUS LES FRAIS ET DÉPENSES, INCLUANT LES FRAIS D'AVOCAT, AU CLIENT DACOR. AUCUNE GARANTIE, EXPRESSE OU IMPLICITE, N'EST FAITE À UN QUELCONQUE ACHETEUR POUR LA REVENTE.

Certains États n'autorisent pas les limitations de durée de garantie implicite, ou l'exclusion/la limitation des dommages négligeables. Par conséquent, il se peut que les limitations ou exclusions spécifiées ci-dessus ne s'appliquent pas dans votre cas. La présente garantie vous confère des droits légaux spécifiques ; il est donc possible que vous bénéficiiez d'autres droits qui varieront d'un État ou d'une juridiction à un(e) autre.

Émetteur de la garantie : Samsung Electronics America, Ridgefield Park, NJ, 07660

Garantie

CANADA - Garantie

CERTIFICAT DE GARANTIE POUR L'APPAREIL DACOR - CANADA :

La présente Garantie limitée couvre uniquement les Appareils fournis et distribués au Canada par nos soins et livrés neufs, dans le carton ou l'emballage d'origine à l'acheteur initial, et ayant été achetés auprès d'un revendeur ou distributeur agréé, à l'exception des conditions stipulées dans la présente. Sauf lorsque tel est interdit par la loi en vigueur dans la province, seul l'acheteur initial de l'Appareil jouit des droits octroyés dans le cadre de la présente Garantie limitée et la présente Garantie limitée n'est ni cessible ni attribuable.

Toutes les affirmations supplémentaires, telles que celles faites par le commerçant à des fins de promotion ou de présentation, qu'elles soient orales ou écrites, exprimant des garanties ou des modifications supplémentaires à la présente Garantie limitée ne constituent pas des garanties faites par nos soins et elles ne doivent pas être considérées comme fiables.

1. CE QUE LA GARANTIE COUVRE ET PÉRIODE DE GARANTIE

Nous garantissons à l'acheteur initial (« l'Acheteur ») que votre appareil Dacor acheté auprès d'un revendeur ou distributeur agréé au Canada (les « Appareils ») est exempt de défauts de matière et de fabrication rencontrés dans le cadre d'une utilisation normale durant la période de garantie identifiée ci-dessous, entrant en vigueur à compter de la date d'achat ou de la date d'arrêt de fabrication de nouveaux modèles, la période la plus longue prévalant.

Appareil ou pièce Dacor	Période de Garantie et éléments couverts par la Garantie
Appareil	Deux (2) ans : pièces et main-d'œuvre
Système hermétique de l'appareil (compresseur, évaporateur, condensateur, déshydrateur et tuyau de raccordement)	Six (6) ans : pièces et main-d'œuvre
Système hermétique de l'appareil (compresseur, évaporateur, condensateur, déshydrateur et tuyau de raccordement)	Dix (10) ans : pièces uniquement
Compresseur de l'appareil	Dix(10) ans : pièces uniquement

Défauts esthétiques. Durant les soixante (60) jours suivant la date d'achat, l'Appareil est garanti comme étant exempt de défauts esthétiques de matière et de fabrication (comme des rayures sur l'acier inoxydable, un ternissement de la peinture/porcelaine, éclats, piqûres ou autres dommages sur la finition). Les variations de couleur sont exclues et les appareils de démonstration, d'atelier, « en l'état » ou rénovés sont spécifiquement exclus.

2. LIMITATIONS DE LA COUVERTURE

Si l'Appareil ne fonctionne pas conformément aux spécifications de l'Appareil durant la période de garantie applicable et que le dysfonctionnement est dû à un défaut de matière ou de fabrication, nous réparerons ou remplacerons, à notre entière discrétion et sans frais pour l'Acheteur, l'Appareil ou toute pièce défectueuse de l'Appareil. Nous pouvons, à notre entière discrétion, utiliser des pièces ou composants réparés, reconditionnés ou neufs lors de la réparation d'un Appareil. Si le même modèle d'Appareil ou de pièce n'est pas disponible pour procéder au remplacement, nous pouvons, à notre entière discrétion, remplacer l'Appareil ou la pièce par un Appareil ou une pièce réparé(e), rénové(e), reconditionné(e) ou neuf/neuve ayant une fonction et une valeur similaires à celles de l'Appareil ou de la pièce à remplacer.

Nous nous réservons expressément le droit exclusif, à notre entière discrétion et à la place de toute intervention, réparation ou remplacement sur un Appareil couvert par la présente Garantie limitée, de proposer à l'Acheteur un remboursement partiel du prix d'achat initial payé par l'Acheteur pour cet Appareil (un « Remboursement partiel »). Le montant de tout Remboursement partiel à proposer devra être déterminé par nos soins selon la juste valeur marchande de l'Appareil compte tenu de son ancienneté et de son état. Si l'Acheteur accepte de bénéficier d'un Remboursement partiel, l'Acheteur devra considérer qu'il nous dégage de toute réclamation ou responsabilité quelle qu'elle soit en vertu de la présente Garantie limitée, ou en vertu de toute autre garantie ou condition expresse ou implicite applicable à l'égard de cet Appareil.

Toutes les pièces réparées ou tous les Appareils remplacés seront garantis pendant une période égale à la durée restante de la Garantie limitée initiale couvrant l'Appareil d'origine, ou pendant 90 jours, la période la plus longue prévalant.

3. CE QUE LA GARANTIE NE COUVRE PAS

Les recours disponibles dans le cadre de la présente Garantie limitée sont disponibles uniquement au sein du Canada.

La présente Garantie limitée ne couvre pas les défauts, dysfonctionnements, pannes ou dommages causés par ou résultant de l'une des causes suivantes :

(a) retrait, installation, réinstallation, maintenance ou entretien de l'Appareil n'ayant pas été autorisé(e) par nos soins ; (b) accident, incendie, inondation, coupure de courant, surtensions, tension de ligne/alimentation/intensité électrique incorrecte, utilisation de fusibles, câblages domestiques, disjoncteurs, connecteurs non fournis par nos soins, tension électrique ou électromécanique inhabituelle, cas de force majeure, catastrophes naturelles ; (c) utilisation inappropriée, utilisation abusive, négligence, manipulation inadéquate, application incorrecte, altération ou modification de l'Appareil ou de toute pièce de l'Appareil ; (d) utilisation de l'Appareil conjointement à des appareils, équipements, charges, pièces, fournitures, accessoires, applications, câblages externes, connecteurs ou équipements auxiliaires/périphériques non fournis ou autorisés par nos soins ; (e) utilisations pour lesquelles l'Appareil n'a pas été conçu.

Garantie

En outre, la présente Garantie limitée ne couvre pas : (i) tout Appareil ou toute pièce dont le numéro de série a été effacé ou sur lequel/laquelle le numéro de série est devenu illisible. Le fait d'effacer le numéro de série sur un Appareil ou de le rendre illisible sur un Appareil annulera immédiatement la Garantie limitée pour ledit Appareil ; (ii) tout dommage quel qu'il soit qui survient pendant l'expédition de l'Appareil, une fois que l'Appareil a été accepté par l'Acheteur ; (iii) tout dommage quel qu'il soit résultant d'un manquement quel qu'il soit à suivre les instructions d'utilisation, de maintenance ou environnementales figurant dans le livret de consignes ou dans le manuel d'utilisation disponible en lien avec l'Appareil ; (iv) les frais de gestion pour le transport vers des îles ou des zones reculées, ce qui inclut, sans pour autant s'y limiter, les coûts de ferry, les frais de péage ou autres dépenses de transport ; (v) remplacement des fusibles ou boîtes à fusibles du domicile, ou réactivation de disjoncteurs ; (vi) accusation ou responsabilité vis-à-vis de dommages infligés sur les biens situés autour, notamment les meubles, sols, plafonds et autres structures ou objets ; (vii) coût des appels d'assistance visant à obtenir des instructions, la correction d'erreurs d'installation, des réglages à effectuer par le client alors qu'ils sont expliqués dans le manuel d'utilisation de l'Appareil, ou lorsque l'Appareil fonctionne bien conformément aux spécifications de l'Appareil. Il se peut que des frais de gestion soient facturés pour les appels d'assistance effectués pour des problèmes non couverts par la présente Garantie limitée ; (viii) cassure, décoloration ou dommage sur le verre, les surfaces métalliques, les composants en plastique, la garniture, la peinture ou d'autres finitions esthétiques, causés par une utilisation ou un entretien inapproprié(e), une utilisation abusive ou une négligence ; (ix) à l'exception des éléments précités, les pièces consommables, telles que les filtres et les ampoules, ne sont pas couvertes et relèvent donc de la responsabilité de l'Acheteur ; (x) utilisation à des fins commerciales, professionnelles ou locatives, ou pour toute autre application qu'une utilisation résidentielle par le consommateur ; (xi) variation de couleur due à des différences dans les pièces peintes, à l'éclairage de la cuisine, au positionnement de l'appareil et à d'autres facteurs.

Nous n'assurons et ne garantissons pas un fonctionnement continu ou sans erreur de l'Appareil.

4. QUELLES SONT LES LIMITATIONS APPLICABLES À UNE INTERVENTION À DOMICILE SOUS GARANTIE ?

L'intervention à domicile est soumise à disponibilité et n'est pas disponible dans toutes les régions du Canada. L'intervention à domicile ne sera assurée que si l'Appareil est dégagé et facilement accessible au niveau du sol pour le personnel d'intervention. Si la réparation ne peut pas être effectuée pendant l'intervention à domicile, ou si l'intervention à domicile n'est pas disponible dans votre région, il se peut qu'il vous soit demandé d'envoyer l'Appareil dans un centre de service Dacor agréé à des fins de réparation sous garantie. Le coût du transport de l'Appareil vers et depuis un centre de service Dacor agréé sera payé par l'Acheteur, à moins que nous ne décidions à notre discrétion de prendre en charge le coût du transport.

Pour bénéficier d'une intervention à domicile, l'Acheteur doit d'abord communiquer avec le Service client Dacor pour déterminer l'origine du problème et identifier les procédures de réparation. Toutes les réparations à domicile sous garantie doivent être effectuées par un centre de service Dacor agréé. Une preuve d'achat valide doit nous être présentée au moment où l'intervention est demandée et avant que les interventions sous garantie soient effectuées.

Lorsque l'intervention à domicile n'est pas disponible, l'Acheteur doit renvoyer l'Appareil dans un centre de service Dacor agréé à des fins d'analyse. Pour savoir où envoyer l'Appareil, communiquez avec notre Centre de service client. Le coût du transport de l'Appareil vers ou depuis le centre de service agréé doit être payé par l'Acheteur.

5. QUELLES SONT LES LIMITATIONS DE NOTRE RESPONSABILITÉ ?

SAUF TEL QU'EXPRESSÉMENT EXPOSÉ DANS LA PRÉSENTE GARANTIE LIMITÉE, NOTRE RESPONSABILITÉ EST SOUMISE AUX LIMITATIONS SUIVANTES :

(A) L'ACHETEUR ACCEPTE L'APPAREIL « EN L'ÉTAT » ET NOUS NE FAISONS AUCUNE GARANTIE OU ASSURANCE QUELLE QU'ELLE SOIT QUANT À L'APPAREIL.

(B) IL N'EXISTE AUCUNE CONDITION, EXPRESSE OU IMPLICITE, STATUTAIRE OU AUTRE, VIS-À-VIS DE L'APPAREIL.

(C) EN PARTICULIER, ET SANS LIMITER LA GÉNÉRALITÉ DES PARAGRAPHES (A) ET (B) PRÉCÉDENTS, NOUS NE FAISONS AUCUNE GARANTIE, CONDITION OU ASSURANCE QUANT AUX ÉLÉMENTS SUIVANTS : (i) LA QUALITÉ MARCHANDE DE L'APPAREIL OU SON ADÉQUATION À UN OBJECTIF OU USAGE SPÉCIFIQUE ; (ii) LE TITRE OU LA CONTREFAÇON ; (iii) LA CONCEPTION, L'ÉTAT, LA QUALITÉ OU LES PERFORMANCES DE L'APPAREIL ; (iv) LA CONSTRUCTION DE L'APPAREIL OU DES COMPOSANTS QU'IL CONTIENT ; (v) LA CONFORMITÉ DE L'APPAREIL AUX EXIGENCES DE TOUTE LOI, RÈGLE, SPÉCIFICATION OU TOUT CONTRAT RELATIF À L'APPAREIL.

(D) PARMIS TOUT CE QUE CONTIENT UN MANUEL D'INSTRUCTIONS OU D'UTILISATION, RIEN NE DOIT ÊTRE CONSIDÉRÉ COMME CRÉANT UNE GARANTIE EXPRESSE DE QUELQUE NATURE QUE CE SOIT VIS-À-VIS DE L'APPAREIL.

Garantie

LES CLAUSES PRÉSENTES DANS LES PARAGRAPHES (E) ET (F) CI-DESSOUS NE S'APPLIQUENT PAS DANS LES CIRCONSTANCES OÙ LA PRÉSENTE GARANTIE LIMITÉE EST RÉGIE PAR LES LOIS DE LA PROVINCE DU QUÉBEC.

(E) TOUTES LES GARANTIES ET CONDITIONS IMPLICITES POUVANT DÉCOULER DE L'APPLICATION DE LA LOI, NOTAMMENT TOUTE GARANTIE OU CONDITION IMPLICITE APPLICABLE QUANT À LA QUALITÉ MARCHANDE OU L'ADÉQUATION À UN USAGE PARTICULIER, SONT PAR LA PRÉSENTE LIMITÉES À LA MÊME DURÉE QUE LA PRÉSENTE GARANTIE LIMITÉE. CERTAINES PROVINCES INTERDISENT LES LIMITATIONS PORTANT SUR LA DURÉE D'UNE GARANTIE IMPLICITE ET LA LIMITATION DE DURÉE DE LA GARANTIE IMPLICITE NE S'APPLIQUERA PAS DANS LA MESURE OÙ LA LIMITATION EST INTERDITE PAR LA LOI EN VIGUEUR DANS LA PROVINCE.

(F) NOUS NE POURRONS ÊTRE TENUS POUR RESPONSABLES EN CAS DE DOMMAGES QUELS QU'ILS SOIENT (NOTAMMENT, MAIS SANS POUR AUTANT S'Y LIMITER, TOUT DOMMAGE ACCESSOIRE, PARTICULIER, INDIRECT OU SIMILAIRE) RÉSULTANT OU DÉCOULANT DIRECTEMENT OU INDIRECTEMENT DE L'UN DES ÉLÉMENTS SUIVANTS : (i) L'ACHAT, L'UTILISATION OU L'USAGE INAPPROPRIÉ DE L'APPAREIL ; (ii) TOUTE PERTE DE JOUISSANCE DE L'APPAREIL OU INCAPACITÉ À UTILISER L'APPAREIL ; (iii) TOUTE VIOLATION DE LA GARANTIE EXPRESSE ; (iv) TOUTE PERTE DE PROFITS OU BÉNÉFICES ANTICIPÉS ; (v) TOUTE PERTE D'ALIMENTS OU DE PRODUITS CONSOMMABLES ; (vi) TOUTE FAUTE (NOTAMMENT UNE NÉGLIGENCE OU GROSSIÈRE NÉGLIGENCE) OU ERREUR COMMISE PAR NOUS, NOS AGENTS OU EMPLOYÉS ; (vii) TOUTE VIOLATION DU CONTRAT ; (viii) TOUTE RÉCLAMATION FAITE À L'ENCONTRE DE L'ACHETEUR PAR TOUTE AUTRE PARTIE. CERTAINES PROVINCES INTERDISENT L'EXCLUSION OU LA RESTRICTION DES DOMMAGES ACCESSOIRES OU INDIRECTS ET L'EXCLUSION PRÉCITÉE DES DOMMAGES ACCESSOIRES OU INDIRECTS NE S'APPLIQUERA PAS DANS LA MESURE OÙ L'EXCLUSION EST INTERDITE PAR LA LOI EN VIGUEUR DANS LA PROVINCE.

(G) LA PRÉSENTE GARANTIE VOUS CONFÈRE DES DROITS LÉGAUX SPÉCIFIQUES ET VOUS POUVEZ ÉGALEMENT AVOIR D'AUTRES DROITS QUI VARIENT D'UNE PROVINCE À L'AUTRE. LA PRÉSENTE GARANTIE LIMITÉE STIPULE LE RECOURS EXCLUSIF DE L'ACHETEUR. SAUF LORSQUE TEL EST INTERDIT PAR LA LOI EN VIGUEUR DANS LA PROVINCE, LA PRÉSENTE GARANTIE LIMITÉE N'EST PAS CESSIBLE SANS AVOIR OBTENU NOTRE CONSENTEMENT EXPRESSE.

(H) SI UNE PARTIE DE LA PRÉSENTE GARANTIE LIMITÉE EST JUGÉE COMME ILLÉGALE OU NON APPLICABLE SELON UNE LOI QUELLE QU'ELLE SOIT, LADITE INAPPLICABILITÉ OU ILLÉGALITÉ PARTIELLE N'AFFECTERA PAS L'APPLICABILITÉ DU RESTE DE LA PRÉSENTE GARANTIE LIMITÉE.

Si l'Appareil est acheté auprès d'un revendeur ou distributeur non agréé ou acheté en dehors du Canada, la présente Garantie limitée ne s'applique pas, à l'exception des limitations précitées spécifiées dans les Sections 5(A) à 5(I) qui s'appliquent effectivement.

Émetteur de la garantie au Canada : Samsung Electronics Canada Inc., Mississauga, ON, L5N 0B9 Canada

EN DEHORS DES ÉTATS-UNIS ET DU CANADA :

GARANTIE LIMITÉE À UN AN

Si votre appareil Dacor ne fonctionne pas durant la première année suivant la date originale d'achat en raison d'un défaut de matériel ou de fabrication, Dacor fournira une nouvelle pièce d'usine franco à bord pour remplacer la pièce défectueuse.

Toute livraison, installation, tout frais de main d'œuvre et autre frais de service sera à la charge de l'acheteur.

Communiquer avec Dacor

Si vous avez des questions ou des commentaires concernant les appareils Dacor, veuillez communiquer avec le centre de service client Dacor.

Pays	Centre d'appels	Site Internet
U.S.A	1-833-353-5483	www.dacor.com
CANADA	1-844-509-4659	www.dacor.com

dacor[®]

DRW24_UM_Rev01_EN+ES+FR
