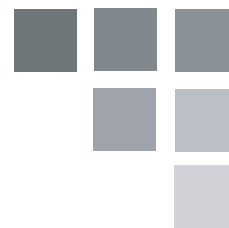
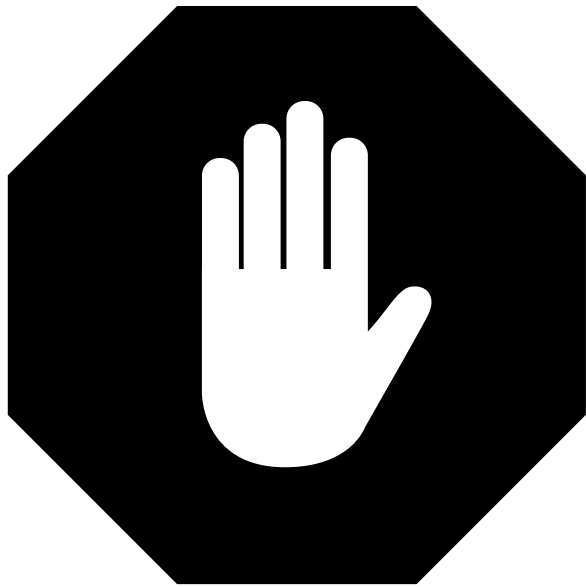




OWNER'S USE AND CARE GUIDE
GUIDE D'UTILISATION ET D'ENTRETIEN
GUÍA DE UTILIZACIÓN Y CUIDADO PARA EL PROPIETARIO

DISHWASHER
LAVE-VAISSELLE
LAVAPLATOS
MODEL • MODÈLE • MODELO
DDW621WDB





**1-800-263-2629
(1-800-26-DANBY)**

**DO NOT RETURN THIS UNIT TO THE RETAILER
WITHOUT FURTHER INSTRUCTIONS**

Dear valued customer, we hope your Danby product purchase fulfills all your requirements. Your satisfaction is our priority!
Please contact us at our toll free consumer service number for any inquiries you may have about your new unit.

**NE PAS RETOURNER CET APPAREIL CHEZ LE
DÉTAILLANT SANS CONSIGNES SUPPLÉMENTAIRES**

Cher(ère) client(e) important(e), nous espérons que votre produit Danby répond à tous vos besoins. Votre satisfaction est notre priorité!
Veuillez nous contacter au numéro gratuit de service après-vente, si vous avez des questions quelconques à propos de votre nouvel appareil.

**NO DEVUELVA ESTA UNIDAD A LA TIENDA SIN
INSTRUCCIONES ADICIONALES**

Estimado cliente, esperamos que el producto Danby que ha comprado satisfaga completamente sus necesidades. Su satisfacción es nuestra prioridad!
Por favor, contáctenos gratuitamente a nuestro número de Servicio al Cliente para cualquier pregunta que tenga sobre su nuevo electrodoméstico.

Contents / Table des matières / Índice

DISHWASHER	
Owner's Use and Care Guide	2-21
• Welcome	
• Important Safety Information	
• Features	
• Installation Instructions	
• Operation Instructions	
• Care and Maintenance	
• Troubleshooting	
• Warranty	
LAVE-VAISSELLE	
Guide d'utilisation et d'entretien du propriétaire.....	22-41
• Bienvenue	
• Consignes de sécurité importantes	
• Caractéristiques	
• Consignes d'installation	
• Consignes d'utilisation	
• Soins et entretien	
• Dépannage	
• Garantie	
LAVAPLATOS	
Guía de utilización y cuidado para el propietario.....	42-61
• Bienvenido	
• Información importante sobre seguridad	
• Características	
• Instrucciones de instalación	
• Instrucciones de funcionamiento	
• Cuidado y mantenimiento	
• Solución sugerida	
• Garantía	

CAUTION

Read and follow all safety rules and operating instructions before first use of this product.

Never operate the appliance unattended!

PRECAUTION:

Veillez lire attentivement les consignes de sécurité et les instructions d'utilisation avant l'utilisation initiale de ce produit.

Ne jamais faire fonctionner l'appareil sans surveillance!

PRECAUCIÓN

Lea y observe todas las reglas de seguridad y las instrucciones de operación antes de usar este producto por la primera vez.

Nunca deje el aparato sin vigilancia.

Model • Modèle • Modelo •
DDW621WDB

Thank you for choosing Danby

We know you're excited. We are too! However, the more familiar you are with your new appliance, the better experience you will have. We therefore strongly suggest that you **read this Owner's Manual before plugging in your new appliance**. It contains important operational information that will help you make full use of the technical features available in your Danby appliance. The manual also contains information designed to enhance operating reliability and safety, as well as tips to maintaining your new appliance so that it brings you happiness for years to come.

Please visit www.danby.com to access self-service tools, FAQs and more. Should you need additional assistance, please call 1-800-26-DANBY (1-800-263-2629).

**Note: You will need the below information to obtain service under warranty.
To receive service, you must provide the original receipt.**

Model Number:	_____
Serial Number:	_____
Date of Purchase:	_____

NEED HELP?

Before you call for service, here are a few things you can do to help us serve you better:

Read this Owner's Manual:

It contains instructions to help you use and maintain your appliance properly.

If you received a damaged appliance:

Immediately contact the retailer (or builder) that sold you the appliance.

Save time and money:

Check the Troubleshooting section at the end of the guide before calling. This section helps you solve common problems that may occur.

If you do need service, you can relax, knowing help is only a phone call away.



1-800-26-**Danby**
(1-800-263-2629)



Important Safety Information

READ AND FOLLOW ALL SAFETY INSTRUCTIONS

When using your dishwasher, follow the precautions listed below:

GROUNDING INSTRUCTIONS

This appliance must be grounded. In the event of a malfunction or breakdown, grounding will reduce the risk of electric shock by providing a path of least resistant electric current. This appliance is equipped with a cord having a equipment grounding conductor and a grounding plug.

The plug must be plugged into an appropriate outlet that is installed and grounded in accordance with all local codes and ordinances.

WARNING

- **Improper connection of the equipment-grounding conductor can result in a risk of electric shock.**
- **Check with a qualified electrician or service representative if you are not sure if the appliance is properly grounded. Do not modify the plug provided with the appliance; if it does not fit into the outlet have a proper outlet installed by a qualified electrician.**

SAFETY PRECAUTIONS

- Do not abuse, sit on, or stand on the door or dish rack of the dishwasher.
- Do not touch the heating element during or immediately after use. (These instructions are only applicable to machines with a visual heating element).
- Do not operate your dishwasher unless all enclosure panels are properly in place.
- Do not place any heavy objects on the door when it is open. The appliance could tip forward.
- **When loading items to be washed:**
 - 1) Locate sharp items so that they are not likely to damage the door seal;
 - 2) Warning: Knives and other utensils with sharp points must be loaded in the basket with their points down or placed in a horizontal position.
- When using your dishwasher, you should prevent plastic items from coming into contact with a heating element. (These instructions are only applicable to machines with a visual heating element).
- Check that the detergent receptacle is empty after completion of the wash cycle.
- Do not wash plastic items unless they are marked dishwasher safe or equivalent. For plastic items not marked, check the manufacturer's recommendations.
- Use only detergent and rinse additives designed for an automatic dishwasher.
- Never use soap, laundry detergent, or hand washing detergent in your dishwasher. Keep these products out of the reach of children.
- Keep children away from detergent and rinse aid and keep children away from the open door of the dishwasher. there could still be some detergent left inside.
- This appliance is not intended for use by people (including children) with reduced physical, sensory or mental capabilities, or lack of experience and knowledge, unless they have been given supervision or instructions concerning the use of the appliance by a person responsible for their safety.
- Children should be supervised to ensure that they do not play with the appliance.
- Dishwasher detergents are strongly alkaline, they can be extremely dangerous if swallowed. Avoid contact with skin and eyes and keep children away from the dishwasher when the door is open.
- The door should not be left in the open position since this could present a tipping hazard.
- If the supply cord is damaged, it must be replaced by a qualified person in order to avoid a hazard.
- Remove the door of the dishwasher when discarding it.
- Please dispose of packing materials properly.
- Use the dishwasher only for its intended function.
- During installation, the power supply must not be excessively or dangerously bent or flattened. Do not tamper with controls.
- The appliance is to be connected to the water tap using new hose sets and the old hose-sets should not be reused.
- The maximum number of place settings to be washed is 6.
- The maximum permissible inlet water pressure is 85 PSI.
- The minimum permissible inlet water pressure is 25 PSI.

SAVE THESE INSTRUCTIONS

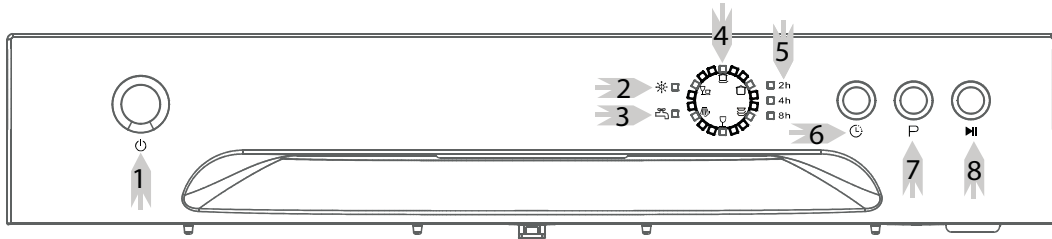


Operating Instructions

READ AND FOLLOW ALL OPERATING INSTRUCTIONS

To get the best performance from your dishwasher, read all operating instructions before using it for the first time.

CONTROL PANEL



1) Power Button: To turn on/off the power supply.

2) Rinse Aid Warning Light : To be on when the rinse aid dispenser needs to be refilled.

3) Water Faucet Light: Illuminated when the water faucet has not been turned on.

4) Program indicator light: Displays which washing program has been selected.

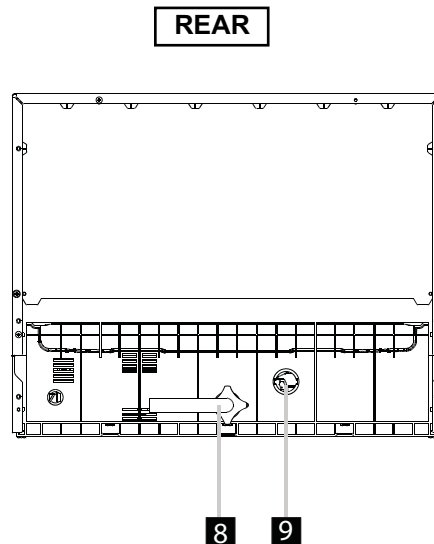
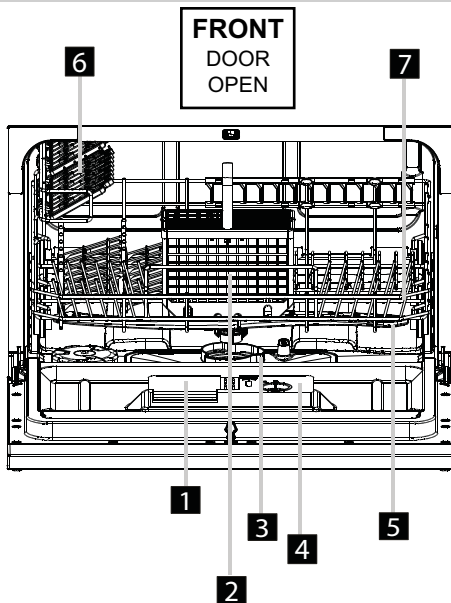
5) Delay time: Indicates the delay time of either 2, 4, 6 or 8 hours. For 6 hours, the 2 hour and 4 hour lights will illuminate at the same time.

6) Delay Button: Press this button to set a delayed start time.

7) Washing Program Selector: Press this button to select wash cycles.

8) Start/Reset Button: Press this button to start or pause the dishwasher.

DISHWASHER FEATURES



- 1 Detergent Dispenser
- 2 Cutlery Basket
- 3 Filter assembly
- 4 Rinse Aid Dispenser
- 5 Spray Arms
- 6 Cup Shelf
- 7 Basket
- 8 Inlet pipe connector
- 9 Drain pipe connector



Operating Instructions

PRIOR TO USING FOR THE FIRST TIME

A. FILL THE RINSE AID DISPENSER

RINSE AID DISPENSER

The rinse aid is released during the final rinse to prevent water from forming droplets on your dishes that can leave spots and streaks. It also improves drying by allowing water to sheet off the dishes. Your dishwasher is designed to use liquid rinse aids. The rinse aid dispenser is located inside the door next to the detergent dispenser. To fill the dispenser, open the cap and pour the rinse aid into the dispenser until the level indicator turns completely black. The volume of the rinse aid container is about 110ml.

FUNCTION OF RINSE AID

Rinse aid is automatically added during the last rinse, ensuring thorough rinsing, and spot and streak free drying.

ATTENTION

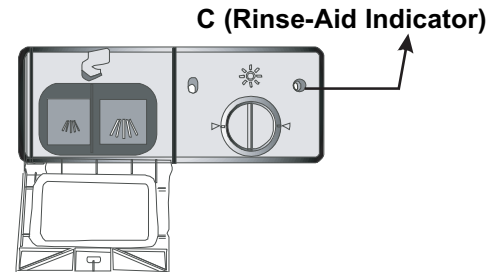
Never fill the rinse aid dispenser with any other substances (e.g. dishwasher cleaning agent, liquid detergent). This would damage the appliance.

WHEN TO REFILL THE RINSE DISPENSER

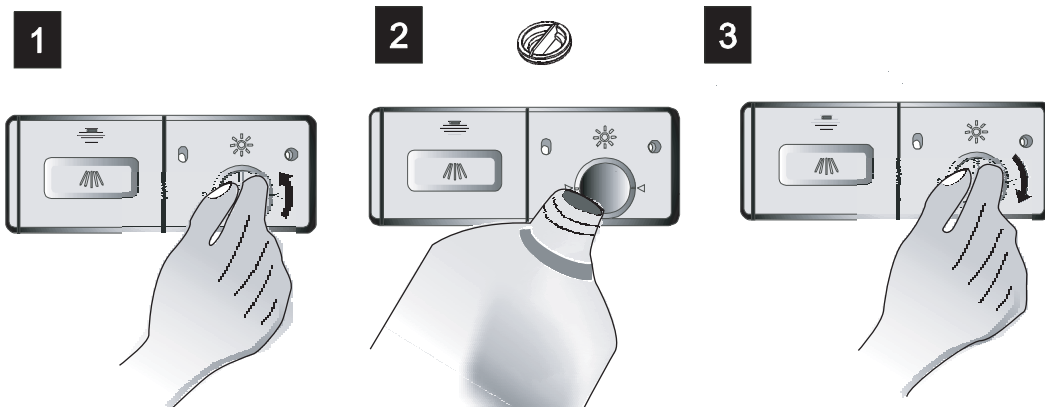
The amount of rinse aid can be judged by the color of the optical level indicator "C" located next to the cap. When the rinse aid container is full, the whole indicator will be black. As the rinse-aid diminishes, the size of the dark dot decreases. You should never let the rinse aid get below 1 / 4 full.

As the rinse aid diminishes, the size of the black dot on the rinse aid level indicator changes, as illustrated below.

- Full
- 3/4 full
- 1/2 full
- 1/4 full should refill to eliminate spotting
- Empty



OPENING THE DISPENSER



ATTENTION

Clean up any rinse aid spills during filling with an absorbent cloth to avoid excessive foaming during the next wash. Don't forget to replace the cap before you close dishwasher door.

1 To open the dispenser, turn the cap to the "open" (left) arrow and lift it out.

2 Pour the rinse aid into the dispenser, being careful not to overfill.

3 Replace the cap by inserting it aligned with "open" arrow and turning it to the closed (right) arrow.



Operating Instructions

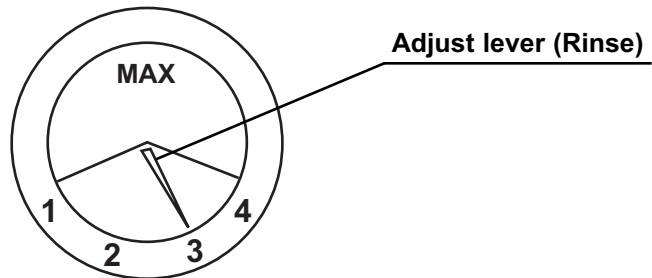
PRIOR USING FOR THE FIRST TIME

A. FILL THE RINSE AID DISPENSER (cont.)

ADJUSTING RINSE AID DISPENSER

The rinse aid dispenser has four settings. The recommended setting is on "3". If the dishes still are not drying properly or are spotted, adjust the dial to the next higher number on "4".

NOTE: Increase the dose if there are drops of water or lime spots on the dishes after washing. Reduce it if there are sticky white stains on your dishes or a blue tinged film on glassware or knife blades.



B. FUNCTION OF DETERGENT

PROPER USE OF DETERGENT

- Detergents with chemical ingredients are necessary to clean dirt from kitchenware and remove it from the dishwasher.
- Use only detergent specifically made for use in dishwashers. Keep your detergent fresh and dry.
- Don't put powder detergent into the dispenser until you're ready to begin a new cycle

DETERGENTS

There are 3 types of detergents.

1. With phosphate and with chlorine
2. With phosphate and without chlorine
3. Without phosphate and without chlorine

CONCENTRATED DETERGENT

Based on their chemical composition, the detergents can be split in two basic types:

- conventional, alkaline detergents with caustic components.
- low alkaline concentrated detergents with natural enzymes.

The use of "normal" washing programs in conjunction with concentrated detergents reduces pollution and is good for your dishes; these wash programs are specially matched to the dirt-dissolving properties of the enzymes of the concentrated detergent. For this reason normal wash programs in which concentrated detergents are used can achieve the same results that can otherwise only be achieved using "intensive" programs.



Operating Instructions

PRIOR TO USING FOR THE FIRST TIME

B. FUNCTION OF DETERGENT (cont.)

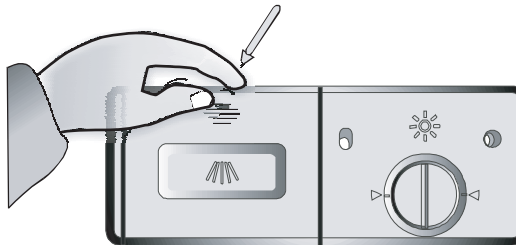
DETERGENT DISPENSER

The dispenser must be refilled before the start of each wash cycle following the instructions provided in the Wash Cycle Table . Your dishwasher uses less detergent and rinse aid than a conventional dishwasher. Generally, only one tablespoon of detergent is needed for a normal wash load. Also, more heavily soiled items need more detergent. Always add the detergent just before starting the dishwasher, otherwise it could get damp and will not dissolve properly.

AMOUNT OF DETERGENT TO USE

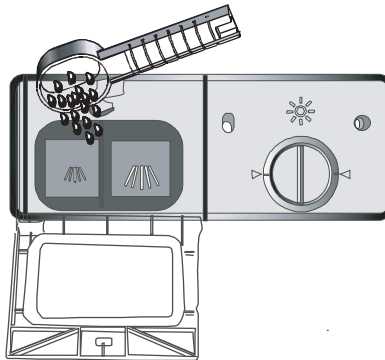
1

Push latch to open



2

 Detergent Powder



- NOTE:**
- If the lid is closed: press release button. The lid springs open.
 - Always add the detergent just before starting each wash cycle.
 - Only use brand name detergents for the dishwasher.

WARNING

Dishwasher detergent is corrosive! Take care to keep it out of reach of children.



Operating Instructions

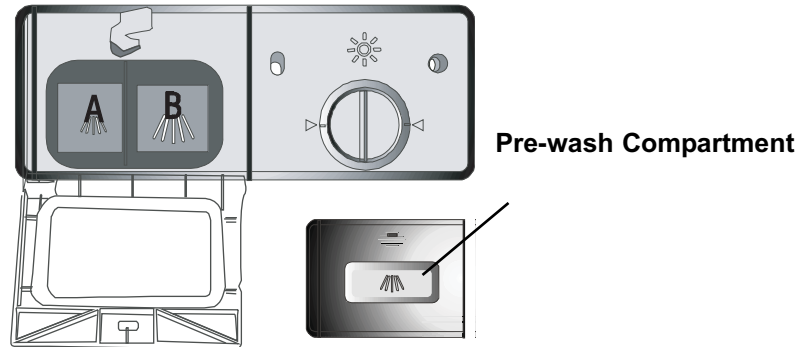
PRIOR TO USING FOR THE FIRST TIME

B. FUNCTION OF DETERGENT (cont.)

ADD DETERGENT

Fill the detergent dispenser with detergent. The marking indicates the dosing levels, as illustrated below:

- A** Can hold 15g of detergent.
- B** Can hold 25g of detergent.



Please see the manufacturers recommendations for the amount of detergent to use as stated on the detergent packaging.

Close the lid and press until it locks in place.

If the dishes are heavily soiled, place an additional detergent dose in the pre-wash detergent chamber. This detergent will take effect during the pre-wash phase.

NOTE:

- *Please be aware, that according to the level of soiling and the specific hardness of water differences are possible.*
- *Please read the manufacturer's recommendations on the detergent packaging.*



Operating Instructions

LOADING THE DISHWASHER BASKETS

RECOMMENDATION

- Consider buying utensils which are identified as dishwasher-proof.
- For particular items, select a program with a low temperature.
- Do not take glass and cutlery out of the dishwasher immediately after the program (wash cycle) has ended as they may be hot.

WASHING CUTLERY/ DISHES

ARE NOT SUITABLE

- Cutlery with wooden, horn china or mother-of-pearl handles.
- Plastic items that are not heat resistant.
- Older cutlery with glued parts that are not temperature resistant.
- Bonded cutlery items or dishes.
- Pewter or copper items.
- Crystal glass
- Steel items prone to rusting.
- Wooden platters
- Items made from synthetic fibres.

ARE OF LIMITED SUITABILITY

- Some types of glasses can become dull after a large number of washes.
- Silver and aluminum parts have a tendency to discolour during/after washing.
- Glazed patterns may fade if machine washed frequently.

BEFORE/AFTER LOADING THE DISH- WASHER BASKETS

(For best performance of the dishwasher, follow these loading guidelines. Features and appearance of baskets and cutlery baskets may vary from your model).

Scrape off any large amounts of leftover food. Soften remnants of burnt food in pans. It is not necessary to rinse the dishes under running water.

Place objects in the dishwasher the following way:

1. Items such as cups, glasses, pots/pans, etc. are face down.
2. Curved items, or those with recesses, should be loaded at a slant so the water can run off.
3. All utensils are loaded securely and cannot tip over.
4. All utensils are placed in the way that the spray arms can freely rotate during washing.

NOTE: *Very small items should not be washed in the dishwasher as they could easily fall out of the basket.*

- *Dishes and cutlery must not lie inside one another or cover each other.*
- *To avoid damage to glasses, they must not touch.*
- *Load large items which are most difficult to clean into the basket.*
- *Long bladed knives stored in an upright position are a potential hazard!*
- *Long and/or sharp items of cutlery such as carving knives must be positioned horizontally in the rack (basket).*
- *Please do not overload your dishwasher. This is important for good results and for reasonable energy consumption.*



Operating Instructions

LOADING THE DISHWASHER BASKETS

LOADING THE BASKET

Position the dishes and cookware so that they will not get moved by the spraying water.

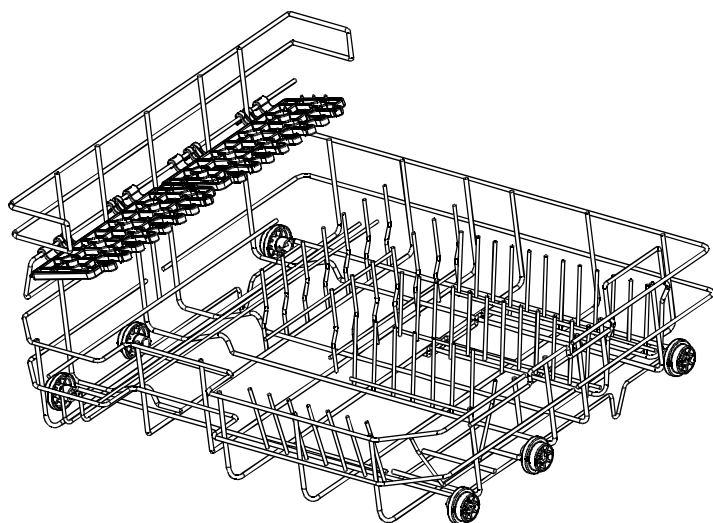
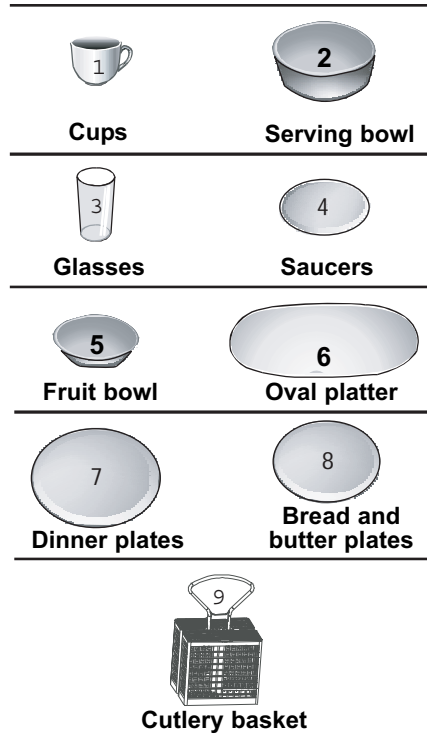
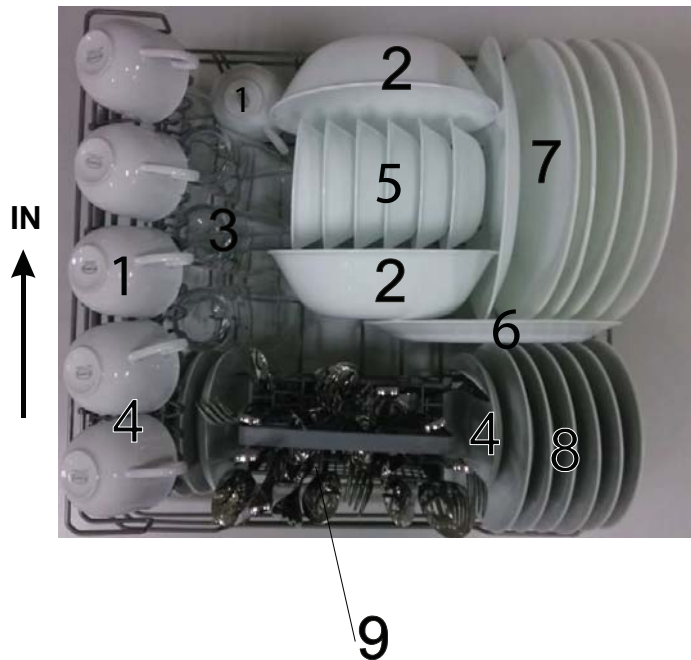


Plate racks in basket

The basket is fitted with plate racks which can be stowed horizontal if required.

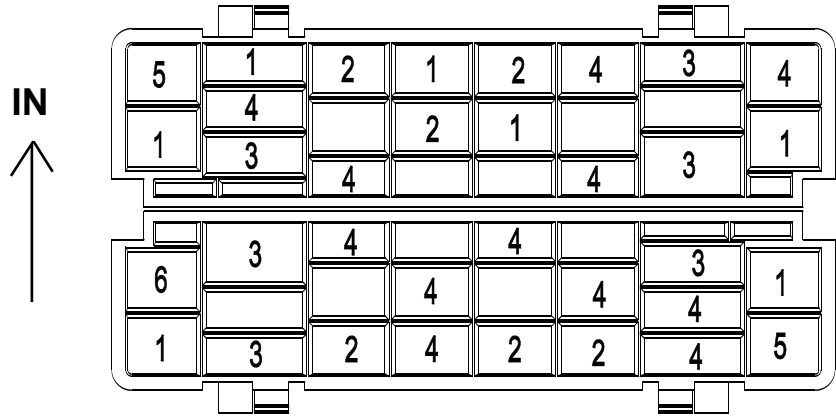


Operating Instructions

LOADING THE DISHWASHER BASKETS

CUTLERY BASKET

Cutlery should be placed in the cutlery basket with handles at the bottom. If the rack has side baskets, spoons should be loaded individually into the appropriate slots, especially long utensils should be placed in the horizontal position at the front of the upper basket as shown.



1 Dinner forks



2 Salad forks



3 Knives



4 Teaspoons



5 Serving spoons



6 Serving forks



WARNING

- Do not let any item extend through the bottom.
- Always load sharp utensils with the sharp end down!

For personal safety and a top quality clean, place your cutlery in the basket:

- Make sure they do not nest together
- Place silverware with handles-down.
- Place knives and other potentially dangerous utensils handles-up.









Operating Instructions

STARTING A WASHING PROGRAM

WASH CYCLE TABLE

• (*) Means: Need to fill rinse in the Rinse-Aid Dispenser.

• AHAM DW-1-2005 : This program is the test cycle. The rinse aid dispenser position 6 is recommended.

Program	Cycle selection Information	Description of cycle	Detergent pre/main	Running time(min)	Energy (Kwh)	Water (L)	Rinse Aid
 Heavy	For the heaviest soiled loads, such as pots, pans, casserole dishes and dishes that have been sitting with dried food on them for a while.	Pre-wash Pre-wash (50°C) Wash (55°C) Wash (50°C) Rinse Rinse (68°C) Drying	3/25g	100	0.47	14.5	*
 Normal <small>AHAM DW-1-2005</small>	For normally soiled loads, such as pots, plates, glasses and lightly soiled pans. standard daily cycle.	Pre-wash Pre-wash Wash (52°C) Rinse Rinse (65°C) Drying	3/25g	110	0.38	10.8	*
 Light	For lightly soiled loads, such as plates, glasses, bowls and lightly soiled pans.	Pre-wash Pre-wash (50°C) Wash (50°C) Rinse Rinse (60°C) Drying	3/25g	75	0.32	12	*
 Glass	For lightly soiled loads, such as glasses, crystal and fine china.	Wash (45°C) Rinse Rinse (50°C)	15g	20	0.22	7	*
 Speed	A shorter wash for lightly soiled loads that do not need drying.	Pre-wash Pre-wash (50°C) Wash (50°C) Rinse Rinse (55°C)	15g	45	0.29	12	
 Rinse	Use for rinsing dishes, glasses and silverware that will not be washed right away.	Pre-wash Main-wash	/	24	0.02	5	*

TURNING ON THE APPLIANCE

Starting a washcycle...

Draw out the basket (see the section entitled Loading the Dishwasher). Pour in the detergent and insert the plug into the socket. The power supply is 120V/60 Hz.

Make sure that the water supply is turned on to full pressure.

- Press the program button to select the program you need.
- **Normal-> Light-> Glass-> Rinse-> Speed-> Heavy**
- Then, press the Start/Reset button to start the dishwasher.

NOTE: When you press the Start/Reset button to pause a wash cycle, the display time will stop blinking and the program will pause. It remains in this stage of the cycle until you restart it again.



Operating Instructions

STARTING A WASHING PROGRAM

CHANGING THE PROGRAM

You can modify the washing program when the dishwasher just runs for a short time. Otherwise, the detergent may have already been released, and the appliance may have already drained the wash water. If this is the case, the detergent dispenser must be refilled.

To change the washing program, press the Start/Reset button to pause the working program, and then press and hold the program button for at least 3 seconds before choosing a different program and resuming the wash cycle.

NOTE: *If you open the door during washing, the machine will pause. When you close the door and press the Start/Reset button the washing resumes 10 seconds after you close the door.*

The lights show the state of the dishwasher:

- a) All phase lights off-----On stand by
- b) The display has no blinking-----Being paused
- c) The display is blinking-----Running

FORGOT TO ADD A DISH?

A forgotten dish can be added any time before the detergent cup opens.

- 1** Press the Start/Reset button to pause the cycle.
- 2** Open the door a little to stop the washing.
- 3** After the spray arms stop working, you can open the door completely
- 4** Add forgotten dishes.
- 5** Close the door
- 6** Press the Start/Reset button, the dishwasher will run after 10 seconds.

AT THE END OF THE WASH CYCLE

When the working cycle has finished, the buzzer will sound for 8 seconds, then stop. Turn off the appliance using the ON/OFF button, shut off the water supply and open the door of the dishwasher. Wait a few minutes before unloading the dishwasher to avoid handling the dishes and utensils while they are still hot and more susceptible to breakage. They will also dry better.

• Turn off the dishwasher

All the phase lights are off!

1. Switch off the dishwasher by pressing the ON/OFF button.
2. Turn off the water tap!

• Open the door carefully

Hot dishes are sensitive to impact. The dishes should therefore be allowed to cool down around 15 minutes before being removed from the appliance. Open the dishwasher's door, leave it ajar and wait a few minutes before removing the dishes. This way they will be cooler and the drying will be improved.

• Unloading the dishwasher

It is normal that the dishwasher is wet inside.

WARNING

It is dangerous to open the door during operation because the hot water may scald you.



Installation Instructions

INSTALLATION PREPARATION

The installation position of the dishwasher should be near the existing inlet and drain hoses and power cord. One side of the cabinet sink should be chosen to facilitate the connection of drain hoses to the dishwasher.

POSITIONING THE APPLIANCE

Position the appliance in the desired location on the countertop. Make sure the unit is level and is close enough to electrical and water supplies.

ABOUT POWER CONNECTION

WARNING

For personal safety:

- DO NOT USE AN EXTENSION CORD OR AN ADAPTER PLUG WITH THIS APPLIANCE.
- DO NOT, UNDER ANY CIRCUMSTANCES, CUT OR REMOVE THE GROUNDING CONNECTION FROM THE POWER CORD.

ELECTRICAL REQUIREMENTS

Please look at the rating label to know the voltage rating and connect the dishwasher to the appropriate power supply. Use the required 15 amp fuse, time delay fuse or circuit breaker recommended and provide separate circuit serving only for this appliance.

ELECTRICAL CONNECTION

Ensure that the voltage and frequency of the power being used corresponds to those on the rating plate. Only insert the plug into an electrical socket which is grounded properly. If the electrical socket to which the appliance must be connected is not appropriate for the plug:

- Have the socket replaced by a qualified professional.
- Avoid using adaptors because they could cause overheating and burns.

WARNING

Ensure appliance is properly grounded before use.

GROUNDING INSTRUCTIONS

This appliance must be grounded. In the event of a malfunction or breakdown, grounding will reduce the risk of electric shock by providing a path of least resistant electric current. This appliance is equipped with a cord that has an equipment-grounding conductor and a grounding plug. The plug must be plugged into an appropriate outlet that is installed and grounded in accordance with all local standards and requirements.

WARNING

- Improper connection of the equipment grounding conductor can result in the risk of an electric shock.
- Check with a qualified electrician or service representative if you are in doubt as to whether the appliance is properly grounded.
- Do not modify the plug provided with the appliance. If the plug does not fit properly in the outlet, please have a qualified electrician install a proper outlet.



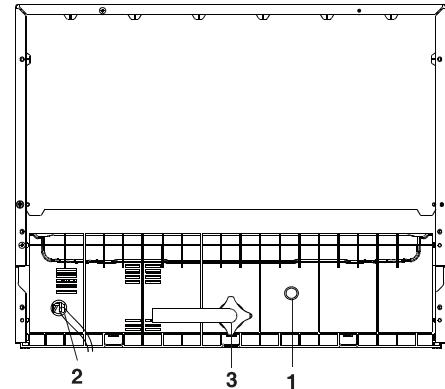
Installation Instructions

WATER CONNECTION

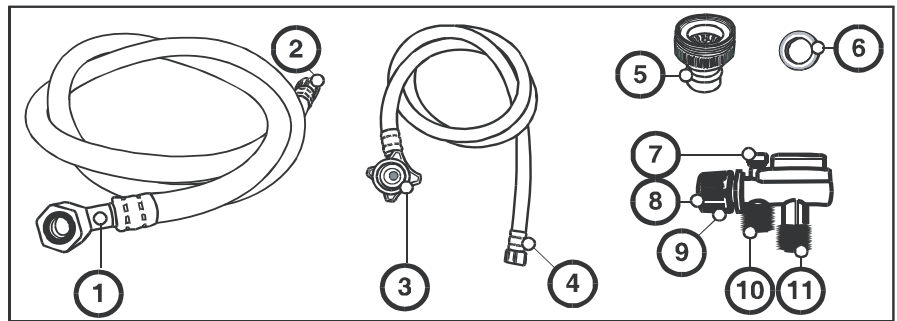
Rear of dishwasher:

1. Drain Port
2. Power Cord
3. Inlet Port

Back View



Your dishwasher comes equipped with a 'quick connect' assembly (includes inlet and drain hose). The faucet adapter must be installed on the faucet before you can connect the dishwasher. This adapter is included inside your dishwasher. The faucet adapter is compatible with faucets inclusive of either male (outside) or female (inside) threaded faucet connections.



QUICK CONNECT ASSEMBLY

Drain Hose

1. Drain port connection
2. Quick connect connection

Inlet Hose

3. Inlet port connection
4. Quick connect connection

Faucet Adapter

5. Faucet adapter
6. Faucet washer

Quick Connect

7. Pressure relief valve
8. Faucet adapter connection
9. Locking collar
10. Inlet hose connection
11. Drain hose connection

WARNING

In order to avoid water staying in the inlet hose, please turn off the faucet after using.



Installation Instructions

WATER CONNECTION (cont)

1. Screw the faucet adapter onto (or into) the faucet tap. Check for leaks (use Teflon tape to eliminate if necessary).
2. Connect the six-sided connection of the drain hose to the drain port connection on the back of the dishwasher cabinet. Do not over-tighten (to avoid damage to threads).
3. Connect the star-shaped connection of the inlet hose to the inlet port on the back of the dishwasher cabinet. Do not over-tighten (to avoid damage to threads).
4. Connect the circular connection of the drain hose onto the longer (bottom) male connection on the quick connect.
5. Connect the circular connection of the inlet hose onto the shorter (top) male connection on the quick connect.
6. Attach the quick connect onto the faucet adapter, by pulling down the outer locking collar on the quick connect, while pushing the quick connect upward onto the faucet adapter.
7. When the quick connect snaps onto the faucet adapter, release the locking collar. Verify the connection is secure.
8. Slowly open the hot water line and check for any sign of water leaks at all hose connections. If leaks are located, immediately turn off the water supply and repair the hose connections.

IMPORTANT

1. Once you open the water supply line, (even if it is closed immediately thereafter), the inlet hose will be pressurized.
2. To relieve water pressure from inside the inlet hose, first make sure the water line (faucet) is closed, then press and hold the red pressure relief button on the quick connect until the flow of water stops.

WARNING

Failure to relieve water pressure before disconnecting the quick connect from the faucet will result in back pressure over-spray. The temperature of the incoming water can be very hot and can cause severe burns and/or scalding.

DANGER

Do not let children disconnect the dishwasher. Close supervision of children is always important around appliances.

NOTE: *Hard water conditions will adversely affect the washing performance of your dishwasher. Hard water conditions will also contribute to 'lime' (white film substance) deposits and/or 'scaling' on the stainless steel surface of the dishwasher tub and heater element, located in the sump underneath the removable filter screen. To minimize these conditions, it is recommended to operate/rinse the inside of the dishwasher (empty) using 1 cup of white vinegar once a week.*

DISCONNECTING YOUR DISHWASHER

1. Shut off the water supply at the faucet.
2. Disconnect the power supply cord
3. Relieve water pressure
4. Pull down on the quick connect collar



Installation Instructions

STARTING THE DISHWASHER

The following things should be checked before starting the dishwasher:

- 1 The dishwasher is level and fixed properly
- 2 There is no leakage at the connections of the conducts.
- 3 The wires are tightly connected
- 4 The power is turned on
- 5 Make sure the inlet and drain hoses are not twisted
- 6 All packing materials and removable printings should be taken out from the dishwasher

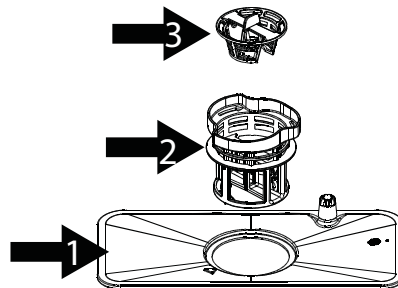


Care and maintenance

FILTERING SYSTEM

The filter prevents larger remnants of food or other objects from getting inside the pump.

The filter system consists of a coarse filter, a flat (main filter) and a micro filter (fine filter).



Main filter 1

Food and soil particles trapped by this filter are pulverized by a special jet on the spray arm and washed down to drain.

Fine filter 2

This filter holds soil and food residue in the sump area and prevents it from being deposited on the dishes during a wash cycle.

Course filter 3

Larger items, such as pieces of bone or glass, that could block the drain are trapped in the coarse filter. To remove the items caught by the filter, gently squeeze the tap on the top of this filter and lift it out.

FILTER ASSEMBLY

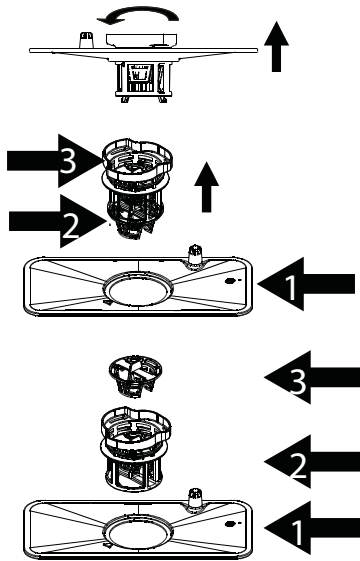
The filter efficiently removes food particles from the wash water, allowing it to be recycled throughout a cycle. For best performance and results, the filter assembly must be regularly cleaned. For this reason, it is a good idea to remove the larger food particles trapped in the filter after each wash cycle by rinsing the filter and cup under running water. To remove the filter assembly, pull upward on the cup handle in the upward direction.

Note: It is recommended that you remove and rinse the filters after each wash cycle.



Care and Maintenance

FILTERING SYSTEM (cont)



WARNING

- Never run the dishwasher without the filters in place.
- The dishwasher must never be used without the filters.
- Improper replacement of the filter may reduce the performance level of the appliance and damage dishes and utensils.

Step 1. Rotate the fine filter counter-clockwise
Step 2. Lift it up.

Step 3. Lift the main filter up.

NOTE: If you follow the steps from Step 1 to Step 3, the filter system will be removed; if you follow the steps from Step 3 to Step 1, the filter system will be installed.

- Inspect the filters for blockage every time the dishwasher is used.
- By unscrewing the coarse filter you can remove the filter system. Remove any food remnants and clean the filters under running water.
- The entire filter assembly should be cleaned once a week.

CLEANING THE FILTER

To clean the coarse filter and the fine filter, use a cleaning brush. Reassemble the filter parts and reinsert the entire assembly in the dishwasher, by positioning it in the proper location and pressing downward.

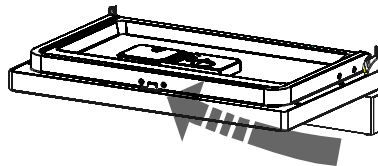
WARNING

When cleaning the filters, handle with care. Otherwise, the filters could be damaged and the performance of dishwasher could be reduced.

CARING FOR THE DISHWASHER

The control panel can be cleaned by using a lightly dampened cloth and dried thoroughly. For the exterior use a good quality appliance polish wax. Never use sharp objects, scouring pads or harsh cleaners on any part of the dishwasher.

CLEANING THE DOOR



To clean the edge around the door, you should use only a soft damp cloth. To avoid penetration of water into the door lock and electrical components, do not use a spray cleaner of any kind.

WARNING

- Never use a spray cleaner to clean the door panel as it may damage the door lock and electrical components.
- Abrasive agents or some paper towels should not be used because of the risk of scratching or leaving spots on the stainless steel surface.



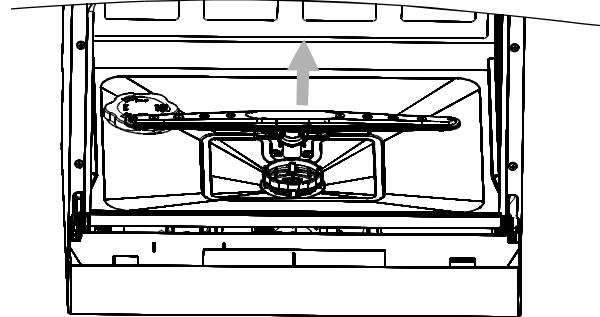
Care and maintenance

CARING FOR THE DISHWASHER (cont.)

CLEANING THE SPRAY ARMS

The spray arms can be easily removed for periodic cleaning of the nozzles, to prevent possible clogging. Wash them under running water and carefully replace them in their proper position, checking that their rotary movement is in no way impeded.

Grasp the middle of the spray arm, pull it upwards to remove it. Wash the arms under a jet of running water and return them carefully to their position. After reassembly, check that the spray arms turn freely.



HOW TO MAINTAIN YOUR DISHWASHER

• After Every Wash

Turn off the water supply to the appliance and leave the door slightly open so that moisture and odours are not trapped inside.

• Remove the Plug

Before cleaning or performing maintenance, always remove the plug from the socket.

• No Solvents or Abrasive Cleaning

To clean the exterior and rubber parts of the dishwasher, do not use solvents or abrasive cleaning products. Only use a cloth with warm soapy water. To remove spots or stains from the surface of the interior, use a cloth dampened with water with a little vinegar, or a cleaning product made specifically for dishwashers.

• When it is Not in Use

It is recommended that you run a wash cycle with the dishwasher empty and then remove the plug from the socket, turn off the water supply and leave the door of the appliance slightly open. This will help the door seals last longer and prevent odours from forming within the appliance.

• Seals

One of the factors that cause odours to form in the dishwasher is food that remains trapped in the seals. Periodic cleaning with a damp sponge will prevent this from occurring.

Error Codes:

Speed Cycle Light is Flashing: The water faucet may not be turned on, the water intake is obstructed or the water pressure is too low.

Glass Cycle Light is Flashing: An area of the unit may be leaking. Turn off the water supply and call for service.



Troubleshooting

Occasionally a problem may arise that is minor in nature, and a service call may not be necessary. Use this troubleshooting guide for a possible solution. If the unit continues to operate improperly, call an authorized service depot or Danby's Toll Free Number **1-800-263-2629** for assistance.

PROBLEM	POSSIBLE CAUSE	SOLUTION
Dishwasher doesn't run	<ul style="list-style-type: none"> • Fuse blown or circuit breaker tripped. • Power supply is not turned on. • Water pressure is low. 	<ul style="list-style-type: none"> • Replace fuse or reset circuit breaker. • Make sure dishwasher is turned on and door is closed. Plug in cord securely. • Check that water supply is connected and the water is turned on.
Noise	<ul style="list-style-type: none"> • Some audible sounds are normal. • Utensils are not secure in basket / something small dropped into basket. • Motor hums. 	<ul style="list-style-type: none"> • Sound from soft food shredding action and detergent cup opening. • Ensure everything is secured in the dishwasher. • If you do not use often, dishwasher may hum- remember to fill and pump out appliance every week to keep the seal moist.
Suds in the tub	<ul style="list-style-type: none"> • Improper detergent / too much soap • Spilled rinse agent. 	<ul style="list-style-type: none"> • Use only dishwasher detergent to avoid suds. If suds are present, open the door and let suds evaporate. • Always wipe rinse agent spills immediately.
Dishes are not dry	<ul style="list-style-type: none"> • Rinse agent dispenser is empty. 	<ul style="list-style-type: none"> • Make sure that the rinse agent dispenser is filled.
Dishes and flatware are not clean (spots filming)	<ul style="list-style-type: none"> • Improper program selected/run. • Improper rack loading. • Extremely hard water / rinse agent is empty 	<ul style="list-style-type: none"> • Select a stronger program. • Make sure that the detergent dispenser and spray arms are not blocked by large dishware. • Remove all metal utensils from dishwasher
Detergent left in dispenser cups	<ul style="list-style-type: none"> • Dishes blocking detergent cups • Not enough water 	<ul style="list-style-type: none"> • Re-load the dishes properly. • Check water supply
Water standing in the bottom of the tub	<ul style="list-style-type: none"> • This is normal. 	<ul style="list-style-type: none"> • A small amount of clean water around the outlet on the tub button at the back of the tub keeps the water seal lubricated.
Water doesn't pump out of the tub	<ul style="list-style-type: none"> • Drain is clogged. • Hose is kinked • Pump motor faulty. 	<ul style="list-style-type: none"> • Make sure the kitchen sink is draining well. If the dishwasher drains into a disposer, run it clear. • Have it checked by a qualified technician.
Dishwasher leaks / steams	<ul style="list-style-type: none"> • Overfill dispenser or rinse aid spills. • Dishwasher isn't level. • Steam is normal. 	<ul style="list-style-type: none"> • Be careful not to overfill the rinse aid dispenser. Spilled rinse aid could cause oversudsing and lead to overflowing. Wipe away any spills with a damp cloth. • Make sure the dishwasher is level. • Steam coming through the vent by the door latch is normal during drying and water draining.

LIMITED APPLIANCE WARRANTY

This quality product is warranted to be free from manufacturer's defects in material and workmanship, provided that the unit is used under the normal operating conditions intended by the manufacturer.

This warranty is available only to the person to whom the unit was originally sold by Danby Products Limited (Canada) or Danby Products Inc. (U.S.A.) (hereafter "Danby") or by an authorized distributor of Danby, and is non-transferable.

TERMS OF WARRANTY

Plastic parts, are warranted for thirty (30) days only from purchase date, with no extensions provided.

First Year During the first twelve (12) months, any functional parts of this product found to be defective, will be repaired or replaced, at warrantor's option, at no charge to the ORIGINAL purchaser.

To obtain service It will be the consumer's responsibility to transport the appliance (at their own expense) to the original retailer (point of purchase) or a service depot for repair. Contact your dealer from whom your unit was purchased, or contact your nearest authorized Danby service depot, where service must be performed by a qualified service technician. If service is performed on the unit by anyone other than an authorized service depot, or the unit is used for commercial application, all obligations of Danby under this warranty shall be void.

Nothing within this warranty shall imply that Danby will be responsible or liable for any spoilage or damage to food or other contents of this appliance, whether due to any defect of the appliance, or its use, whether proper or improper.

EXCLUSIONS

Save as herein provided, by Danby, there are no other warranties, conditions, representations or guarantees, express or implied, made or intended by Danby or its authorized distributors and all other warranties, conditions, representations or guarantees, including any warranties, conditions, representations or guarantees under any Sale of Goods Act or like legislation or statute is hereby expressly excluded. Save as herein provided, Danby shall not be responsible for any damages to persons or property, including the unit itself, howsoever caused or any consequential damages arising from the malfunction of the unit and by the purchase of the unit, the purchaser does hereby agree to indemnify and hold harmless Danby from any claim for damages to persons or property caused by the unit.

GENERAL PROVISIONS

No warranty or insurance herein contained or set out shall apply when damage or repair is caused by any of the following:

- 1) Power failure.
- 2) Damage in transit or when moving the appliance.
- 3) Improper power supply such as low voltage, defective house wiring or inadequate fuses.
- 4) Accident, alteration, abuse or misuse of the appliance such as inadequate air circulation in the room or abnormal operating conditions (extremely high or low room temperature).
- 5) Use for commercial or industrial purposes (ie. If the appliance is not installed in a domestic residence).
- 6) Fire, water damage, theft, war, riot, hostility, acts of God such as hurricanes, floods etc.
- 7) Service calls resulting in customer education.
- 8) Improper Installation (ie. Building-in of a free standing appliance or using an appliance outdoors that is not approved for outdoor application).

Proof of purchase date will be required for warranty claims; so, please retain bill of sale. In the event warranty service is required, present this document to our AUTHORIZED SERVICE DEPOT.

Warranty Service
Carry-In

Danby Products Limited
PO Box 1778, Guelph, Ontario, Canada N1H 6Z9
Telephone: (519) 837-0920 FAX: (519) 837-0449

1-800-263-2629
07/13

Danby Products Inc.
PO Box 669, Findlay, Ohio, U.S.A. 45840
Telephone: (419) 425-8627 FAX: (419) 425-8629

Merci d'avoir choisi Danby

Nous savons que vous êtes excité. Nous sommes aussi! Cependant, le plus que vous vous familiarisez avec votre nouvel appareil, le mieux va être votre expérience. Nous suggérons donc de **lire ces instructions avant connecter votre nouvel appareil**. Ce manuel contient des informations opérationnel important qui vous aidera à faire un usage pleine de les caractéristiques techniques disponibles dans votre appareil Danby. Le manuel contient également des informations conçu pour améliorer la fiabilité et la sécurité de votre appareil ainsi que des conseils pour le maintien, pour vous assurez des années de bonheur.

Se il vous plaît visitez www.danby.com pour accéder les outils libre-service, FAQ et plus encore. Si jamais vous avez besoin d'aide supplémentaire, s'il vous plaît appelez 1-800-26-Danby (1-800-263-2629). S'il vous plaît ayez votre facture d'achat, le numéro de modèle, et le numéro de série près durant l'appel.

Remarque : Ces renseignements seront nécessaires si votre appareil a besoin d'entretien ou pour les demandes de renseignements généraux. Pour bénéficier d'une opération de maintenance ou de dépannage, le reçu original sera exigé.

Numéro de modèle : _____

Numéro de serie : _____

Date d'achat : _____

BESOIN D'ASSISTANCE ?

Veillez trouver quelques conseils avant de faire appel à nos services, cela nous aidera à mieux vous servir :

Lisez ce guide :

Il comprend des instructions pour l'utilisation et l'entretien adapté de votre appareil.

Si votre nouvel appareil est endommagé :

Contactez immédiatement le revendeur (ou le fabricant).

Gagnez du temps et de l'argent :

Avant de faire appel à nos services, consultez à nouveau la section « Dépannage ». Cette section vous aidera à résoudre des problèmes courants.

Si une réparation est nécessaire, ne vous inquiétez pas, la solution est au bout du fil.



1-800-26-**Danby**
(1-800-263-2629)



Renseignements importants relatifs à la sécurité

LISEZ ET RESPECTEZ TOUTES LES CONSIGNES RELATIVES À LA SÉCURITÉ

Lors de l'utilisation de votre lave-vaisselle, prenez toutes les précautions indiquées ci-dessous :

CONSIGNES RELATIVES À LA MISE À LA TERRE

Cet appareil doit être mis à la terre. En cas de défaillance ou de panne, la mise à la terre réduira le risque de choc électrique en fournissant au courant électrique un chemin de moindre résistance. Cet appareil comprend un cordon muni d'un conducteur de mise à la terre de l'équipement et d'une fiche de mise à la terre.

La fiche doit être branchée sur une prise appropriée installée et mise à la terre conformément à l'ensemble des codes et des ordonnances locaux.

PRÉCAUTIONS RELATIVES À LA SÉCURITÉ

AVERTISSEMENT

- Une mauvaise connexion du conducteur de mise à la terre de l'équipement peut entraîner un risque de choc électrique.
- Consultez un électricien ou un représentant de l'entretien qualifié si vous n'êtes pas sûr si votre appareil est mis à la terre correctement. Ne modifiez pas la fiche fournie avec l'appareil; si elle ne peut être insérée dans la prise, faites installer une prise appropriée par un électricien qualifié.

- Ne pas maltraiter la porte ou le panier à vaisselle du lave-vaisselle, s'asseoir dessus ou se tenir dessus.
- Ne pas toucher l'élément chauffant pendant ou immédiatement après l'utilisation. (Ces instructions ne s'appliquent qu'aux appareils munis d'un élément chauffant visible).
- Ne pas faire fonctionner votre lave-vaisselle si tous les panneaux de l'enceinte ne sont pas en place.
- Ne pas poser d'objets lourds sur la porte lorsqu'elle est ouverte. L'appareil pourrait basculer vers l'avant.
- **Lors du chargement des articles à laver :**
 - 1) Placez les articles pointus ou tranchants à un endroit où ils n'endommageront pas le joint d'étanchéité de la porte;
 - 2) Avertissement : les couteaux et les autres ustensiles pointus doivent être chargés la pointe en bas ou horizontalement dans le panier.
- Lorsque vous utilisez votre lave-vaisselle, empêchez les articles en plastique d'entrer en contact avec l'élément chauffant. (Ces instructions ne s'appliquent qu'aux appareils munis d'un élément chauffant visible.)
- Assurez-vous que le distributeur de détergent est vide après la fin du cycle.
- Ne lavez pas d'articles en plastique, sauf s'ils portent la mention lavable au lave-vaisselle ou l'équivalent. Dans les cas des articles en plastique ne portant pas cette mention, vérifiez les recommandations du fabricant.
- N'utilisez que les détergents et les agents de rinçage conçus pour un lave-vaisselle automatique.
- N'utilisez jamais de savon, de détergent à lessive ou de savon à main dans votre lave-vaisselle. Gardez ces produits hors de la portée des enfants.
- Gardez les enfants à l'écart du lave-vaisselle et de l'agent de rinçage, ainsi que de la porte ouverte du lave-

vaisselle.

- Gardez les enfants à l'écart du lave-vaisselle et de l'agent de rinçage, ainsi que de la porte ouverte du lave-vaisselle. Des restes de détergent pourraient s'y trouver.
- Cet appareil ne doit pas être utilisé par des personnes (y compris des enfants) dont les capacités physiques, sensorielles ou mentales sont réduites, ou qui ne possèdent pas l'expérience ou les connaissances nécessaires, à moins qu'une personne responsable de leur sécurité ne leur ait donné la supervision ou les instructions nécessaires concernant l'utilisation de l'appareil.
- Les enfants doivent être supervisés afin de s'assurer qu'ils ne jouent pas avec l'appareil.
- Les détergents à vaisselle sont très alcalins; ils peuvent être extrêmement dangereux s'ils sont avalés. Évitez le contact avec la peau et les yeux et gardez les enfants à l'écart du lave-vaisselle lorsque la porte est ouverte.
- La porte ne doit pas être laissée en position ouverte, car cela pourrait présenter un risque de basculement.
- Si le cordon d'alimentation est endommagé, il doit être remplacé par une personne qualifiée afin d'éviter les dangers.
- Lorsque vous mettez le lave-vaisselle au rebut, enlevez la porte.
- Veuillez jeter convenablement les matériaux d'emballage.
- N'utilisez le lave-vaisselle qu'aux fins pour lesquelles il est destiné.
- Pendant l'installation, le bloc d'alimentation ne doit pas être plié ou aplati dangereusement ou excessivement. Ne trafiquez pas les commandes.
- L'appareil doit être branché aux robinets au moyen de nouveaux ensembles de tuyaux, et les anciens ensembles de tuyaux ne doivent pas être réutilisés.
- Un maximum de 6 couverts peut être lavé à la fois.
- La pression maximale de l'eau d'admission est 85 PSI
- La pression minimale de l'eau d'admission est 25 PSI.

CONSERVEZ CES INSTRUCTIONS

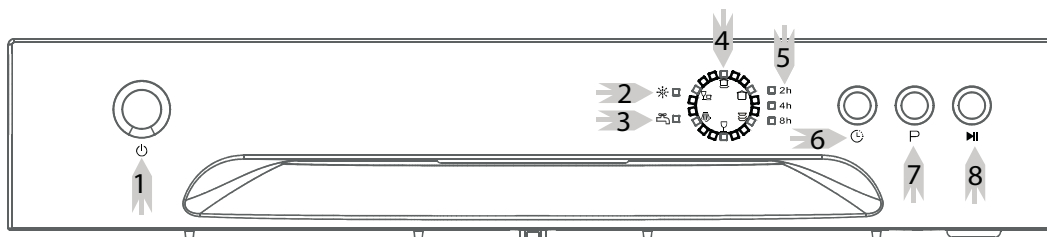


Mode d'emploi

LISEZ ET RESPECTEZ ENTIÈREMENT LE MODE D'EMPLOI

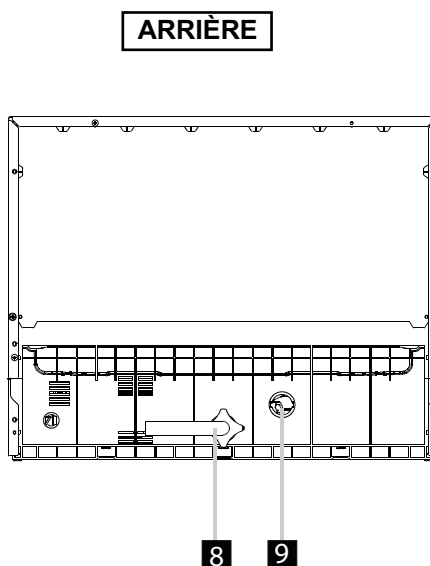
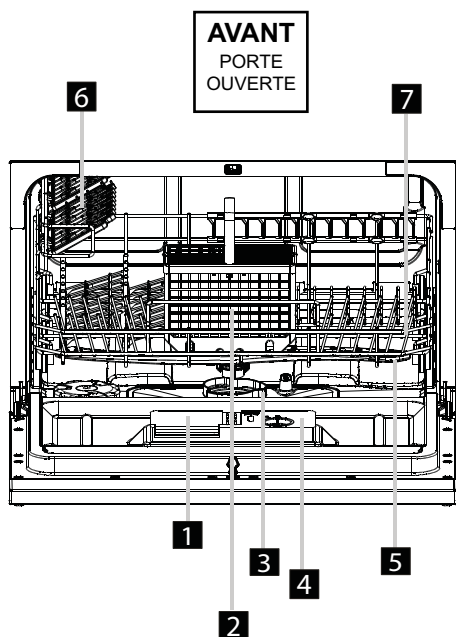
Pour obtenir les meilleurs résultats avec votre lave-vaisselle, lisez le mode d'emploi d'un bout à l'autre avant d'utiliser l'appareil pour la première fois.

PANNEAU DE COMMANDE



- 1) Bouton ON/OFF (marche/arrêt) : contrôle l'alimentation en électricité du lave-vaisselle.
- 2) Indicateur d'avertissement pour l'agent de rinçage : s'allume lorsque le distributeur d'agent de rinçage doit être rempli.
- 3) Indicateur de robinet d'eau : allume lorsque le robinet d'eau n'a pas été activée.
- 4) Bouton indicateur de programme : lorsque vous appuyez sur le bouton du programme de lavage, l'indicateur lumineux correspondant s'allume.
- 5) Temps de délai : Indique le temps de retard soit 2, 4, 6 ou 8 heures. Pendant 6 heures, les lumières de 2 heures et 4 heures seront allumées en même temps.
- 6) Bouton de délai : Appuyez sur ce bouton pour définir un temps de début retardé.
- 7) Sélecteur de programme de lavage : Appuyez sur ce bouton pour sélectionner les cycles de lavage.
- 8) Bouton Démarrer/Réinitialiser : appuyez sur ce bouton pour démarrer le lave-vaisselle ou interrompre le lavage.

CARACTÉRISTIQUES DU LAVE-VAISSELLE



- 1 Distributeur de détergent
- 2 Panier à ustensiles
- 3 Assemblage du filtre
- 4 Distributeur d'agent de rinçage
- 5 Gicleurs
- 6 Tablette pour tasses
- 7 Panier
- 8 Connecteur du tuyau de vidange
- 9 Connecteur du tuyau d'admission



Mode d'emploi

AVANT D'UTILISER L'APPAREIL POUR LA PREMIÈRE FOIS

A. REMPLISSEZ LE DISTRIBUTEUR D'AGENT DE RINÇAGE

DISTRIBUTEUR D'AGENT DE RINÇAGE

L'agent de rinçage est libéré pendant le rinçage final afin d'empêcher que l'eau ne forme des gouttelettes qui peuvent créer des taches et des traînées sur votre vaisselle. Il permet également d'améliorer le rinçage en laissant l'eau couler le long de la vaisselle. Votre lave-vaisselle est conçu pour utiliser des agents de rinçage liquides. Le distributeur d'agent de rinçage est situé dans la porte, à côté du distributeur de détergent. Pour remplir le distributeur, ouvrez le bouchon et versez l'agent de rinçage dans le distributeur jusqu'à ce que l'indicateur de niveau devienne complètement noir. Le distributeur d'agent de rinçage a un volume d'environ 110 ml.

FONCTION DE L'AGENT DE RINÇAGE

L'agent de rinçage est ajouté automatiquement lors du dernier rinçage, permettant ainsi un rinçage à fond et un séchage sans taches et sans traînées.

ATTENTION

Ne remplissez jamais le distributeur d'agent de rinçage avec d'autres substances (p. ex., nettoyant pour lave-vaisselle, détergent liquide). Cela endommagera l'appareil.

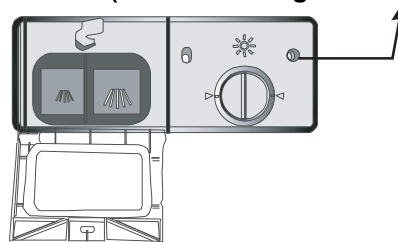
QUAND REMPLIR LE DISTRIBUTEUR D'AGENT DE RINÇAGE

La quantité d'agent de rinçage peut être évaluée par la couleur de l'indicateur visuel de niveau C situé à côté du bouchon. Lorsque le distributeur d'agent de rinçage est plein, l'indicateur est complètement noir. Au fur et à mesure que la quantité d'agent de rinçage diminue, la taille du point noir diminue. Ne laissez jamais le niveau de l'agent de rinçage tomber au-dessous du quart.

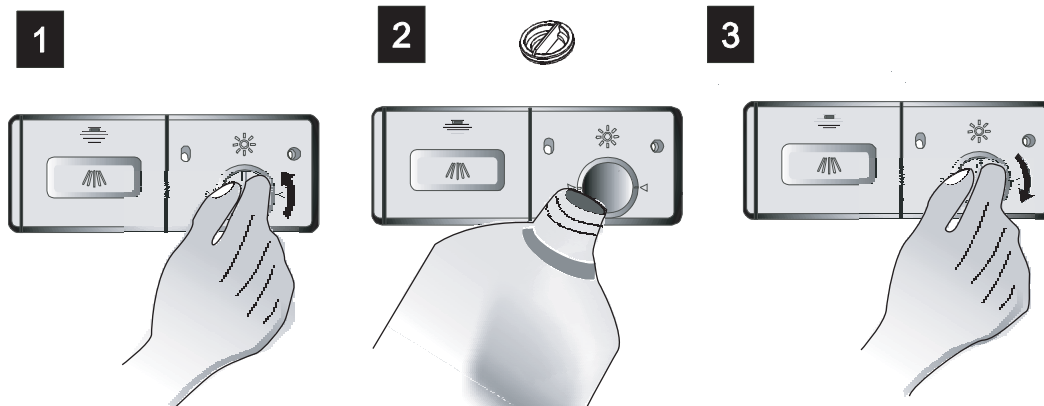
Au fur et à mesure que la quantité d'agent de rinçage diminue, la taille du point noir de l'indicateur de niveau change, tel qu'illustré ci-dessous.

- Plein
- 3/4 plein
- 1/2 plein
- 1/4 plein - remplir pour empêcher la formation de taches
- Vide

C (indicateur d'agent de rinçage)



OUVERTURE DU DISTRIBUTEUR



ATTENTION

Essuyez l'agent de rinçage renversé lors du remplissage au moyen d'un chiffon absorbant pour éviter la formation d'une mousse excessive lors du prochain lavage. N'oubliez pas de remettre le bouchon avant de fermer la porte du lave-vaisselle.

- 1** Pour ouvrir le distributeur, tournez le bouchon sur la flèche « ouvert » (gauche), et levez-le pour l'enlever.
- 2** Versez l'agent de rinçage dans le distributeur, en vous assurant de ne pas trop le remplir.
- 3** Remplacez le bouchon en l'insérant en alignement avec la flèche « ouvert » et en le tournant sur la position fermée (flèche de droite).



Mode d'emploi

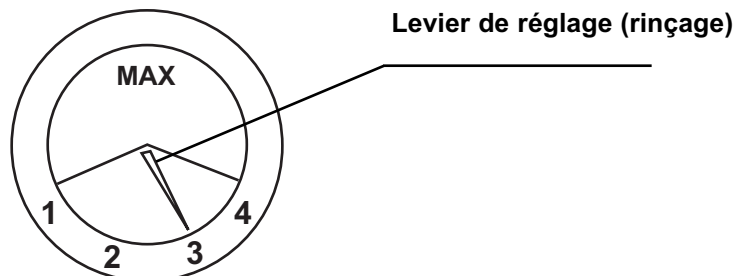
AVANT D'UTILISER L'APPAREIL POUR LA PREMIÈRE FOIS

A. REMPLISSEZ LE DISTRIBUTEUR D'AGENT DE RINÇAGE (suite)

RÉGLAGE DU DISTRIBUTEUR D'AGENT DE RINÇAGE

Le distributeur d'agent de rinçage a quatre réglages. Le réglage recommandé est « 3 ». Si la vaisselle ne sèche pas correctement ou est tachée, ajustez le cadran au numéro suivant, soit « 4 ».

REMARQUE : Augmentez la dose s'il y a des gouttes d'eau ou d'hydroxyde de calcium sur la vaisselle après le lavage. Réduisez la dose si vous voyez des taches blanches collantes sur la vaisselle ou une pellicule bleuâtre sur la verrerie ou les lames des couteaux.



B. FONCTION DU DÉTERGENT

UTILISATION APPROPRIÉE DU DÉTERGENT

- Pour enlever la saleté et l'enlever du lave-vaisselle, il est nécessaire d'utiliser des détergents contenant des ingrédients chimiques.
- N'utilisez qu'un détergent spécialement conçu pour les lave-vaisselle. Gardez votre détergent au frais et au sec.
- Ne mettez le détergent en poudre dans le distributeur que lorsque vous êtes prêt à laver la vaisselle.

DÉTERGENTS

Il existe 3 types de détergents.

1. Contenant du phosphate et du chlore
2. Contenant du phosphate et sans chlore
3. Sans phosphate et sans chlore

DÉTERGENT CONCENTRÉ

Selon leur composition chimique, les détergents peuvent être divisés en deux types de base :

- Détergents alcalins conventionnels avec composants caustiques.
- Détergents concentrés peu alcalins avec enzymes naturelles.

L'utilisation de programmes de lavage « normaux » conjointement avec des détergents concentrés réduit la pollution et est bonne pour votre vaisselle; ces programmes de lavage sont conçus spécialement pour les propriétés qui dissolvent la saleté des enzymes des détergents concentrés. Pour cette raison, l'utilisation de programmes de lavage normaux avec des détergents concentrés peut produire des résultats qui ne pourraient être atteints autrement qu'avec des programmes « intensifs ».



Mode d'emploi

AVANT D'UTILISER L'APPAREIL POUR LA PREMIÈRE FOIS

B. FONCTION DU DÉTERGENT (suite)

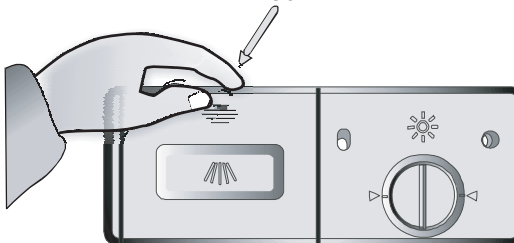
DISTRIBUTEUR DE DÉTERGENT

Le distributeur doit être rempli avant le début de chaque cycle de lavage en suivant les instructions qui se trouvent dans le tableau des cycles de lavage. Votre lave-vaisselle consomme moins de détergent et d'agent de rinçage qu'un lave-vaisselle conventionnel. En général, une cuiller à soupe de détergent suffit pour une charge de vaisselle normale. Par contre, les articles plus souillés nécessitent une quantité de détergent plus importante. Ajoutez toujours le détergent juste avant de mettre le lave-vaisselle en marche; sinon, il pourrait devenir humide et ne pas se dissoudre correctement.

QUANTITÉ DE DÉTERGENT À UTILISER

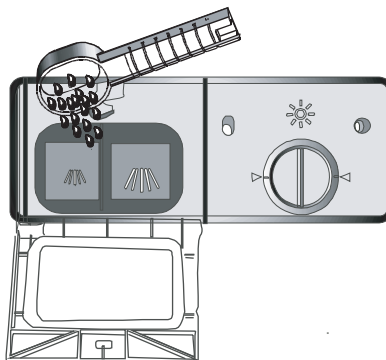
1

Pousser sur le loquet pour ouvrir



2

 Détergent en poudre



- REMARQUE :**
- Si le couvercle est fermé, appuyez sur le bouton de dégagement. Le couvercle s'ouvre.
 - Ajoutez toujours le détergent juste avant le début de chaque cycle de lavage.
 - N'utilisez que des détergents de marque pour lave-vaisselle.

AVERTISSEMENT

Le détergent pour lave-vaisselle est corrosif! Assurez-vous de le garder hors de la portée des enfants.



Mode d'emploi

AVANT D'UTILISER L'APPAREIL POUR LA PREMIÈRE FOIS

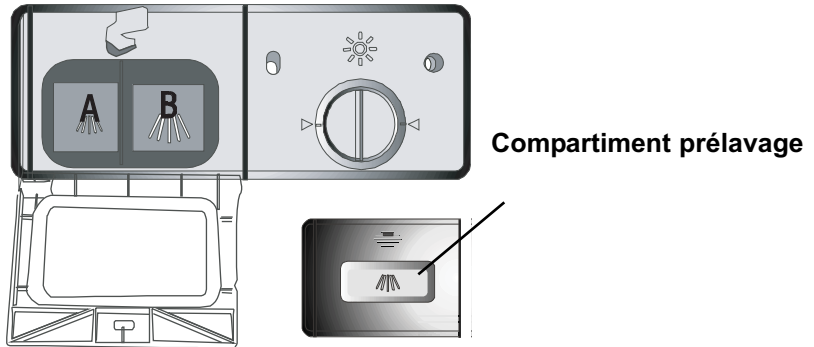
B. FONCTION DU DÉTERGENT (suite)

REMPLEZ LE DÉTERGENT

Remplissez le distributeur de détergent. Le repère indique la quantité de détergent à utiliser, tel qu'illustré ci-dessous :

A Peut contenir 15 g de détergent.

B Peut contenir 25 g de détergent.



Veillez consulter les recommandations du fabricant figurant sur l'emballage du détergent pour connaître la quantité à utiliser.

Fermez le couvercle et appuyez dessus jusqu'à ce qu'il se verrouille en place.

Si la vaisselle est très sale, mettez une dose de détergent supplémentaire dans le compartiment de pré-lavage. Ce détergent agira pendant le pré-lavage.

REMARQUE :

- *Veillez noter que des différences sont possibles en raison du niveau de saleté et de la dureté de l'eau.*
- *Lisez les recommandations du fabricant qui figurent sur l'emballage du détergent.*



Mode d'emploi

CHARGEMENT DES PANIERS DU LAVE-VAISSELLE

RECOMMANDATION

- Songez à acheter des ustensiles sur lesquels il est indiqué qu'ils vont au lave-vaisselle.
- Pour des articles spécifiques, sélectionnez un programme à basse température.
- Ne retirez pas les verres et la coutellerie du lave-vaisselle immédiatement après le programme de lavage, car ils pourraient être chauds.

LAVAGE DE LA COUTELLERIE/DE LA VAISSELLE

NE CONVIENNENT PAS

- Coutellerie avec manches en bois, en corne, en porcelaine ou en nacre.
- Articles en plastique qui ne résistent pas à la chaleur.
- Coutellerie plus vieille avec pièces collées qui ne résistent pas à la chaleur.
- Coutellerie ou assiettes fusionnées.
- Articles en étain ou en cuivre.
- Verres en cristal
- Articles en fer qui peuvent rouiller.
- Plateaux en bois
- Articles faits en fibres synthétiques.

CONVIENNENT DE FAÇON LIMITÉE

- Certains types de verres peuvent ternir après un grand nombre de lavages.
- Les articles en argent ou en aluminium ont tendance à se décolorer pendant/après le lavage.
- Les motifs émaillés peuvent ternir s'ils sont lavés à la vaisselle souvent.

AVANT/APRÈS LE CHARGEMENT DES PANIERS DU LAVE- VAISSELLE

(Pour une performance optimale du lave-vaisselle, suivez ces consignes en matière de chargement. Les caractéristiques et l'aspect des paniers et des paniers à ustensiles peuvent varier d'un modèle à l'autre).

Grattez les grandes quantités d'aliments restants. Ramollissez les restes d'aliments brûlés dans les chaudrons; il n'est pas nécessaire de rincer la vaisselle à l'eau courante.

Placez les objets dans le lave-vaisselle dans l'ordre suivant :

1. Articles tels que les tasses, les verres, les chaudrons, etc. à l'envers.
2. Les articles courbés ou contenant des rainures doivent être inclinés lors du chargement afin que l'eau puisse en sortir.
3. Les ustensiles doivent être chargés solidement et ne pas pouvoir basculer.
4. Les ustensiles doivent être placés de façon telle que les gicleurs peuvent tourner librement lors du rinçage.

REMARQUE : *Les très petits articles ne doivent pas être lavés au lave-vaisselle, car ils pourraient sortir du panier facilement.*

- *Les articles de vaisselle et de coutellerie ne doivent pas être chargés l'un dans l'autre ou être superposés..*
- *Pour éviter de les endommager, les verres ne doivent pas se toucher.*
- *Chargez dans le panier les gros articles qui sont plus difficiles à nettoyer.*
- *Les couteaux à longue lame chargés en position verticale peuvent être dangereux!*
- *Les articles de coutellerie qui sont longs ou tranchants doivent être disposés horizontalement dans le panier.*
- *Veuillez ne pas surcharger votre lave-vaisselle. C'est important pour obtenir de bons résultats et pour réduire la consommation d'énergie.*

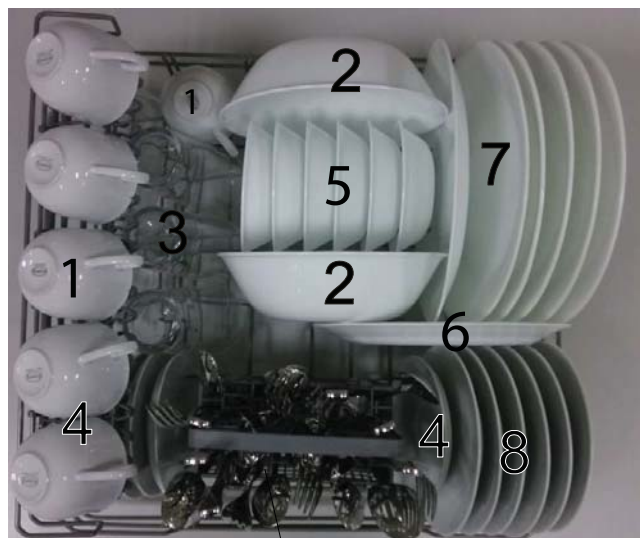


Mode d'emploi

CHARGEMENT DES PANIERS DU LAVE-VAISSELLE

CHARGEMENT DU PANIER

Positionnez la vaisselle et la batterie de cuisine de façon telle que les jets d'eau ne les déplaceront pas.



Tasses



Bol à servir



Verres



Soucoupes



Bol à fruits



Plateau ovale



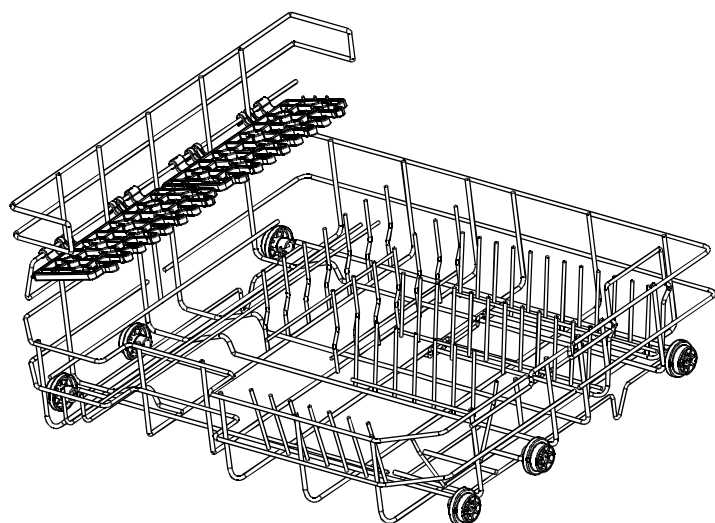
Assiettes à dîner



Assiettes à pain



Panier à ustensiles



Porte-assiettes dans le panier

Le panier est rempli de porte-assiettes qui peuvent être pliés horizontalement au besoin.



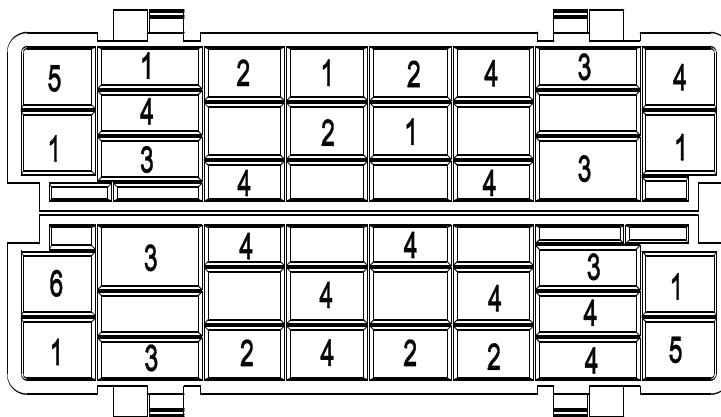
Mode d'emploi

CHARGEMENT DES PANIERS DU LAVE-VAISSELLE

PANIER À USTENSILES

La couellerie doit être placée dans le panier à ustensiles les manches vers le bas. Si le panier est équipé de paniers latéraux, les cuillers doivent être placés individuellement dans les fentes appropriées, et les ustensiles très longs doivent être placés horizontalement à l'avant du panier supérieur, tel qu'illustré.

DANS



1 Fourchettes de table



2 Fourchettes à salade



3 Couteaux



4 Cuillers à café



5 Cuillers à servir



6 Fourchettes à servir



AVERTISSEMENT

- Ne laissez aucun article dépasser par le fond.
- Chargez toujours les ustensiles pointus avec l'extrémité pointue vers le bas!

Pour assurer votre sécurité et obtenir le meilleur nettoyage possible, placez ainsi votre couellerie dans le panier :

- Assurez-vous que les articles ne se trouvent pas l'un dans l'autre.
- Placez l'argenterie les manches en bas.
- Placez les couteaux et les autres articles pouvant être dangereux les manches en haut.









Mode d'emploi

COMMENT LANCER UN PROGRAMME DE LAVAGE

TABLEAU DES CYCLES DE LAVAGE

• (*) Signifie que le distributeur d'agent de rinçage doit être rempli.

• AHAM DW-1-2005 : ce programme est le cycle de test, il est recommandé que le distributeur d'agent de rinçage soit réglé sur la position 6.

Programme	Sélection du cycle Information	Description du cycle	Détergent prélavage/lav age principal	Durée de fonction. (min)	Consomma tion d'éner gie (Kwh)	Eau (L)	Rinçage rinçage
 Très sale	Pour les charges les plus sales, telles que les chaudrons, les casseroles, et les plats contenant des aliments séchés qui ont reposé pendant quelque temps.	Prélavage Prélavage (50 °C) Lavage (55 °C) Lavage (50 °C) Rinçage Rinçage (68 °C) Séchage	de 3 à 25 g	100	0,47	14,5	*
 Normal AHAM DW-1-2005	Pour les charges normalement sales, telles que les chaudrons, les assiettes, les verres et les plats peu sales. Cycle quotidien standard.	Prélavage Prélavage Lavage (52 °C) Rinçage Rinçage (65 °C) Séchage	de 3 à 25 g	110	0,38	10,8	*
 Léger	Pour les charges peu sales, telles que les assiettes, les verres, les bols et les plats peu sales.	Prélavage Prélavage (50 °C) Lavage (50 °C) Rinçage Rinçage (60 °C) Séchage	de 3 à 25 g	75	0,32	12	*
 Verre	Pour les charges peu sales, telles que les verres, le cristal et la porcelaine fine.	Lavage (45 °C) Rinçage Rinçage (50 °C)	15 g	20	0,22	7	*
 Vitesse	Un lavage plus court pour les charges peu sales qui n'ont pas besoin d'être séchées.	Prélavage Prélavage (50 °C) Lavage (50 °C) Rinçage Rinçage (55 °C)	15 g	45	0,29	12	
 Trempage	Pour rincer la vaisselle que vous prévoyez de laver plus tard le même jour.	Prélavage Lavage	/	24	0,02	5	*

METTRE L'APPAREIL EN MARCHÉ

Démarrage d'un cycle de lavage...

Sortez le panier (voir la section intitulée Chargement du lave-vaisselle). Versez le détergent et insérez la fiche dans la prise. L'alimentation en électricité est 120V/60 Hz.

Assurez-vous que l'alimentation en eau est ouverte à pression maximale.

- Appuyez sur le bouton du programme pour sélectionner le programme dont vous avez besoin.
- **Normal->Léger->Verres->Vitesse->Très sale->Trempage**
- Appuyez ensuite sur le bouton Start/Reset et le lave-vaisselle se met en marche.

REMARQUE: Si vous appuyez sur la touche Start / Reset pour mettre l'appareil en pause pendant le lavage, le temps sur le panneau d'affichage cesse de clignoter et le programme fera une pause et restera dans ce cycle jusqu'à ce que vous faisiez démarrer l'appareil à nouveau.



Mode d'emploi

COMMENT LANCER UN PROGRAMME DE LAVAGE

CHANGEMENT DU PROGRAMME

Vous pouvez changer le programme de lavage si le lave-vaisselle ne fonctionne que depuis quelques minutes. Autrement, il est possible que le détergent ait été libéré et que l'appareil ait drainé l'eau de lavage. Dans ce cas, il faudrait remplir de nouveau le distributeur de détergent.

Pour modifier le programme de lavage, appuyez sur la touche START / RESET pour interrompre le cycle. Appuyez sur la touche programme pendant plus de 3 secondes et choisissez le programme désiré. Le cycle de lavage recommencera.

REMARQUE : *Si vous ouvrez la porte pendant le lavage, l'appareil se met en pause. Une fois que vous fermez la porte et appuyez sur la touche Start / Reset, le cycle recommencera dans 10 secondes.*

Les indicateurs lumineux montrent l'état du lave-vaisselle :

- a) Tous les indicateurs éteints-----En attente
- b) Pas d'indicateur lumineux clignotant-----Fonctionnement interrompu
- c) Indicateur lumineux clignotant-----En marche

VOUS AVEZ OUBLIÉ UN ARTICLE?

Un article oublié peut être ajouté à n'importe quel moment avant l'ouverture du distributeur de détergent.

- 1** Appuyez sur le bouton Start/Reset pour interrompre le cycle.
- 2** Entrouvrez la porte pour arrêter le lavage.
- 3** Après que les gicleurs cessent de fonctionner, vous pouvez ouvrir la porte complètement.
- 4** Ajoutez les articles oubliés.
- 5** Fermez la porte.
- 6** Appuyez sur le bouton Start/Reset, le fonctionnement du lave-vaisselle reprendra au bout de 10 secondes.

À LA FIN DU CYCLE DE LAVAGE

Lorsque le cycle de travail est terminé, la sonnerie retentit pendant 8 secondes, puis s'arrête. Éteignez l'appareil en appuyant sur le bouton ON/OFF (MARCHE/ARRÊT), fermez l'alimentation en eau et ouvrez la porte du lave-vaisselle. Attendez quelques minutes avant de vider le lave-vaisselle afin de ne pas manipuler les plats et les ustensiles alors qu'ils sont encore chauds et plus cassants. Ils sécheront également mieux.

• **Éteignez le lave-vaisselle**

- Tous les indicateurs lumineux sont éteints!
- 1.** Éteignez le lave-vaisselle en appuyant sur le bouton ON/OFF (MARCHE/ARRÊT).
 - 2.** Fermez l'alimentation en eau au niveau du robinet!

• **Ouvrez la porte prudemment.**

Les plats chauds sont vulnérables aux chocs. Il faut laisser refroidir la vaisselle pendant 15 minutes avant de la sortir du lave-vaisselle. Ouvrez la porte du lave-vaisselle, laissez-la entr'ouverte et attendez quelques minutes avant de sortir la vaisselle. Elle pourra ainsi refroidir et mieux sécher.

• **Vider le lave-vaisselle**

Il est normal que l'intérieur du lave-vaisselle soit mouillé.

AVERTISSEMENT

Il est dangereux d'ouvrir la porte du lave-vaisselle pendant le lavage, parce que l'eau chaude pourrait vous échauder.



Notice d'installation

PRÉPARATION EN VUE DE L'IN- STALLATION

Le lave-vaisselle devrait être installé à proximité des tuyaux d'admission et de drainage existants et du cordon d'alimentation. Le côté de l'armoire de l'évier qui facilite le raccordement des tuyaux de drainage du lave-vaisselle doit être choisi.

POSITIONNEMENT DE L'APPAREIL

Positionnez l'appareil à l'endroit désiré sur le comptoir. Assurez-vous que l'appareil est de niveau et assez proche des branchements électriques et d'eau.

CONCERNANT LE BRANCHEMENT ÉLECTRIQUE

AVERTISSEMENT

Pour votre propre sécurité :

- **N'UTILISEZ PAS DE RALLONGE OU DE FICHE D'ADAPTATION AVEC CET APPAREIL.**
- **SOUS AUCUN PRÉTEXTE, VOUS NE DEVEZ COUPER OU ENLEVER LA TROISIÈME BROCHE (MISE À LA TERRE) DE LA FICHE DU CORDON ÉLECTRIQUE.**

EXIGENCES ÉLECTRIQUES

Veillez consulter l'étiquette signalétique du lave-vaisselle afin de connaître la tension requise et branchez le lave-vaisselle sur l'alimentation électrique appropriée. Utilisez un fusible de 15 ampères à fusion lente ou le disjoncteur recommandé, et prévoyez un circuit séparé qui ne dessert que cet appareil.

RACCORDEMENT ÉLECTRIQUE

Assurez-vous que la fréquence et la tension de l'alimentation correspondent à celles qui figurent sur la plaque signalétique. Ne branchez la fiche que sur une prise électrique qui est mise à la terre correctement. Si la prise électrique sur laquelle l'appareil doit être branché ne convient pas à la fiche :

- Faites remplacer la prise par un professionnel qualifié.
- Évitez d'utiliser des adaptateurs, parce qu'ils pourraient créer une surchauffe et des brûlures.

AVERTISSEMENT

Assurez-vous qu'une mise à la terre correcte est présente avant l'utilisation!

DIRECTIVES RELATIVES À LA MISE À LA TERRE

Cet appareil doit être mis à la terre. En cas de défaillance ou de panne, la mise à la terre réduira le risque de choc électrique en fournissant au courant électrique un chemin de moindre résistance. Cet appareil est doté d'un cordon muni d'un conducteur de mise à la terre de l'équipement et d'une fiche de mise à la terre. La fiche doit être branchée sur une prise appropriée installée et mise à la terre conformément à l'ensemble des codes et des ordonnances locaux.

AVERTISSEMENT

- **Une mauvaise connexion du conducteur de mise à la terre de l'équipement peut entraîner un risque de choc électrique.**
- **Consultez un électricien ou un représentant de l'entretien qualifié si vous n'êtes pas sûr si votre appareil est mis à la terre correctement.**
- **Ne modifiez pas la fiche fournie avec l'appareil. Si elle ne peut être insérée dans la prise, faites installer une prise appropriée par un électricien qualifié.**



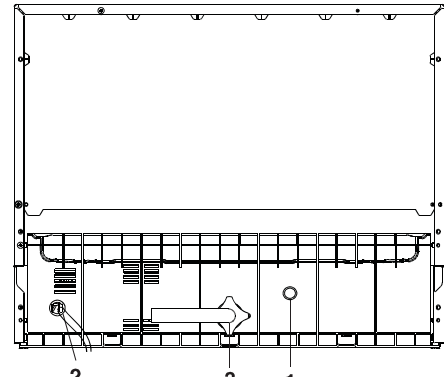
Notice d'installation

RACCORDEMENT ÉLECTRIQUE

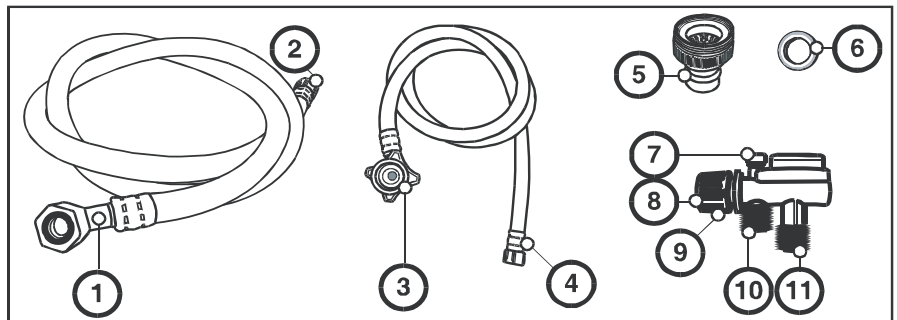
Arrière du lave-vaisselle :

Vue arrière

1. Orifice de drainage
2. Cordon d'alimentation
3. Orifice d'admission



Votre lave-vaisselle est doté d'un raccord à branchement rapide (comprend l'admission et le tuyau de drainage). L'adaptateur de robinet doit être installé sur le robinet avant de pouvoir raccorder le lave-vaisselle. Cet adaptateur est inclus dans votre lave-vaisselle. L'adaptateur de robinet est compatible avec les robinets, que les raccords de robinet soient mâles (filetés à l'extérieur) ou femelles (filetés à l'intérieur).



RACCORD À BRANCHEMENT RAPIDE

Tuyau de drainage

1. Raccord de l'orifice de drainage
2. Raccord à branchement rapide

Tuyau d'admission

3. Raccord de l'orifice d'admission
4. Raccord à branchement rapide

Adaptateur de robinet

5. Adaptateur de robinet
6. Rondelle du robinet

Branchement rapide

7. Soupape de surpression
8. Raccord d'adaptateur de robinet
9. Bague de blocage
10. Raccord du tuyau d'admission
11. Raccord du tuyau de drainage

⚠ AVERTISSEMENT

Afin que l'eau ne reste pas dans le tuyau d'admission, fermez le robinet après l'utilisation.



Notice d'installation

RACCORDEMENT ÉLECTRIQUE (suite)

1. Vissez l'adaptateur de robinet sur (ou dans) le robinet. Vérifiez la présence de fuites (au besoin, utilisez du ruban de téflon pour les éliminer).
2. Branchez le raccord à six côtés du tuyau de drainage au connecteur de l'orifice de drainage, qui se trouve à l'arrière du coffre du lave-vaisselle. Ne serrez pas trop (pour ne pas endommager le filetage).
3. Branchez le raccord à six côtés du tuyau de drainage au connecteur de l'orifice d'admission, qui se trouve à l'arrière du coffre du lave-vaisselle. Ne serrez pas trop (pour ne pas endommager le filetage).
4. Branchez le raccord circulaire du tuyau de drainage sur la connexion mâle plus longue (inférieure) du raccord à branchement rapide.
5. Branchez le raccord circulaire du tuyau d'admission sur la connexion mâle plus longue (inférieure) du raccord à branchement rapide.
6. Fixez le raccord à branchement rapide sur l'adaptateur de robinet, en tirant sur la bague de blocage qui se trouve sur le raccord à branchement rapide tout en poussant le raccord à branchement rapide vers le haut, sur l'adaptateur de robinet.
7. Lorsque le raccord à branchement rapide s'enclenche sur l'adaptateur de robinet, relâchez la bague de verrouillage. Assurez-vous que le raccordement est solide.
8. Ouvrez lentement le robinet d'eau chaude et vérifiez si l'un des raccordements de tuyaux fuit. Si vous décelez des fuites, fermez immédiatement l'alimentation et réparez les raccords des tuyaux.

IMPORTANT

1. Une fois que vous avez ouvert la conduite d'alimentation en eau (même si vous la fermez immédiatement après), le tuyau d'admission est sous pression.
2. Pour purger la pression de l'eau dans le tuyau d'admission, assurez-vous que le robinet est fermé, puis appuyez sur le bouton de surpression rouge situé sur le raccord à branchement rapide et maintenez-le enfoncé jusqu'à ce que l'eau cesse de couler.

AVERTISSEMENT

Si la pression de l'eau n'est pas purgée avant de débrancher le raccord à branchement rapide du robinet, cela entraînera un jet d'eau de contrepression.
L'eau expulsée peut être très chaude et vous brûler ou vous échauder gravement.

DANGER

Ne laissez pas les enfants débrancher le lave-vaisselle. Il est important de toujours bien surveiller les enfants autour des appareils électroménagers.

REMARQUE : L'eau dure aura un effet négatif sur la performance du lavage de votre lave-vaisselle. *L'eau dure contribue également à des dépôts d'hydroxyde de calcium (pellicule blanche) ou de tartres sur la surface en acier inoxydable de la cuve et de l'élément chauffant du lave-vaisselle, situé dans le puisard sous la grille amovible du filtre. Pour contribuer à minimiser ces problèmes, il est recommandé de faire fonctionner le lave-vaisselle à vide en utilisant 1 tasse de vinaigre blanc une fois par semaine.*

DÉCONNEXION DU LAVE-VAISSELLE

1. Fermez le robinet pour couper l'eau.
2. Débranchez le cordon d'alimentation.
3. Libérez la pression de l'eau.
4. Tirez sur la bague de branchement rapide.



Notice d'installation

DÉMARRAGE DU LAVE-VAISSELLE

Les éléments suivants doivent être vérifiés avant de démarrer le lave-vaisselle :

- 1** Le lave-vaisselle est de niveau et fixé correctement
- 2** Y a-t-il une fuite au niveau du raccordement des conduites?
- 3** Les fils sont bien serrés
- 4** L'appareil est allumé
- 5** Assurez-vous que les tuyaux d'admission et de drainage ne sont pas tordus
- 6** L'ensemble des matériaux d'emballage et des textes imprimés amovibles doivent être sortis du lave-vaisselle

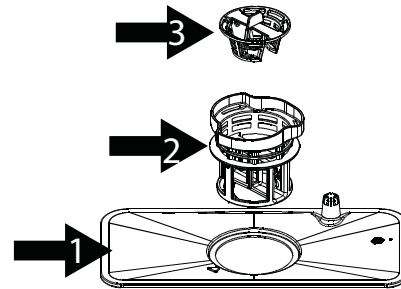


Entretien

SYSTÈME DE FILTRATION

Le filtre empêche les grosses particules d'aliments ou d'autres objets de pénétrer dans la pompe.

Le système de filtration comprend un filtre grossier, un filtre plat (principal) et un filtre fin.



Filtre principal **1**

Les particules d'aliments et de débris piégées par ce filtre sont pulvérisées par un jet spécial provenant du gicleur et envoyées dans le drain.

Filtre fin **2**

Ce filtre retient les particules d'aliments et de débris dans le puisard et les empêche de se redéposer sur la vaisselle pendant un cycle de lavage.

Filtre grossier **3**

Les articles plus gros, tels que des morceaux d'os ou de verre, qui pourraient bloquer le drain sont piégés dans le filtre grossier. Pour enlever les articles piégés par le filtre, il suffit de serrer doucement la poignée située sur le dessus de ce filtre et de le sortir.

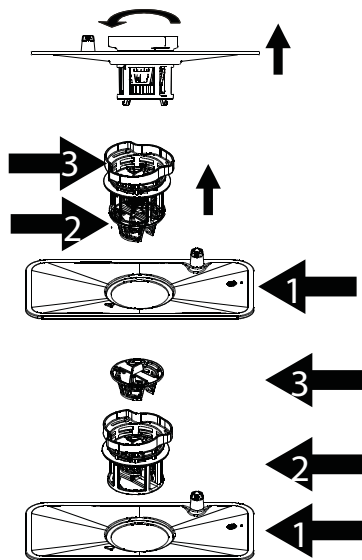
ASSEMBLAGE DU FILTRE

Ce filtre enlève de façon efficace les particules de l'eau de lavage, ce qui permet de la recycler lors d'un cycle. Pour obtenir la meilleure performance et les meilleurs résultats, l'assemblage du filtre doit être nettoyé régulièrement. Pour cette raison, il est recommandé d'enlever les grosses particules de nourriture piégées dans le filtre après chaque cycle de lavage, en rinçant le filtre et le récipient à l'eau courante. Pour enlever l'assemblage du filtre, tirez sur la poignée du récipient pour le soulever.

Remarque : Il est recommandé de retirer et rincer le filtre après chaque cycle de lavage.

SYSTÈME DE FILTRATION (suite)

Ouvert



Étape 1. Faites tourner le filtre fin dans le sens contraire des aiguilles d'une montre.

Étape 2. Soulevez-le.

Étape 3. Soulevez le filtre principal.

REMARQUE : Si vous suivez les étapes séquentiellement de 1 à 3, vous enlevez le système de filtration; si vous le faites de 3 à 1, vous remettez le système de filtration.

- Après chaque utilisation du lave-vaisselle, inspectez les filtres pour vous assurer qu'ils ne sont pas bloqués.

- En dévissant le filtre grossier, vous pouvez enlever le système de filtration. Enlevez les résidus de nourriture et nettoyez les filtres à l'eau courante.

- L'assemblage du filtre doit être nettoyé une fois par semaine.

NETTOYAGE DU FILTRE

Pour nettoyer le filtre grossier et le filtre fin, utilisez une brosse de nettoyage. Réassemblez les pièces du filtre et réinsérez tout l'assemblage dans le lave-vaisselle, en le positionnant correctement et en appuyant dessus vers le bas.

⚠ AVERTISSEMENT

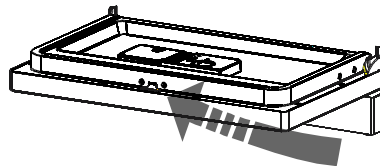
Lorsque vous nettoyez le filtre, manipulez-le prudemment. Si vous ne le faites pas, les filtres pourraient être endommagés et la performance du lave-vaisselle réduite.

ENTRETIEN DU LAVE-VAISSELLE

Le panneau de commande peut être nettoyé au moyen d'un chiffon légèrement humide et séché à fond. Pour l'extérieur, utilisez une cire de polissage pour électroménagers de bonne qualité. N'utilisez jamais d'objets pointus ou tranchants, de tampons de récurage ou de nettoyeurs puissants sur aucune partie du lave-vaisselle.

NETTOYAGE DE LA PORTE

Pour nettoyer le pourtour de la porte, n'utilisez qu'un chiffon doux humide. Pour empêcher que l'eau pénètre dans le verrou de la porte et les composants électroniques, n'utilisez jamais de nettoyant à pulvériser.



⚠ AVERTISSEMENT

- N'utilisez jamais de nettoyant à pulvériser sur le panneau de la porte, car cela pourrait endommager le verrou de la porte et les composants électroniques.
- Les agents abrasifs et certaines sortes d'essuie-tout ne doivent pas être utilisés en raison du risque d'érafler la surface en acier inoxydable ou de la tacher.



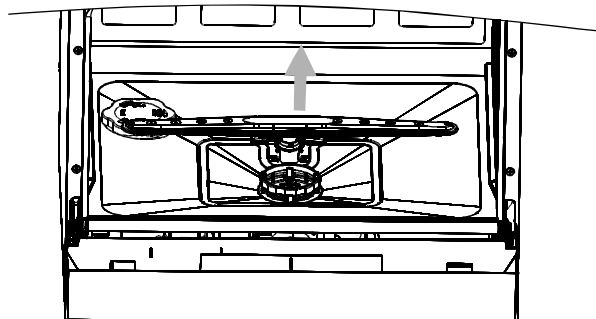
Entretien

ENTRETIEN DU LAVE-VAISSELLE (suite)

NETTOYAGE DES GICLEURS

Les gicleurs peuvent être enlevés facilement pour un nettoyage périodique des bases, afin d'empêcher le blocage possible. Lavez-les à l'eau courante et remettez-les prudemment en place à la bonne position, en vous assurant que leur mouvement rotatif n'est pas bloqué.

Prenez le gicleur au centre et tirez vers le haut pour l'enlever. Lavez les gicleurs sous un jet d'eau courante, puis remettez-les prudemment en place. Après le remontage, assurez-vous que les gicleurs tournent librement.



COMMENT ENTRETENIR VOTRE LAVE-VAISSELLE

- **Après chaque lavage**
Fermez l'alimentation en eau de l'appareil et laissez la porte légèrement ouverte afin de ne pas piéger l'humidité et les odeurs à l'intérieur.
- **Débranchez l'appareil**
Avant de nettoyer l'appareil ou de l'entretenir, débranchez-le toujours de la prise.
- **Aucun solvant ni nettoyant abrasif**
Pour nettoyer l'extérieur et les parties en caoutchouc du lave-vaisselle, n'utilisez pas de solvants ou de nettoyants abrasifs. N'utilisez qu'un chiffon et de l'eau chaude savonneuse. Pour enlever les taches de la surface intérieure, utilisez un chiffon humecté d'eau avec un peu de vinaigre, ou un produit de nettoyage conçu spécifiquement pour le lave-vaisselle.
- **Lorsqu'il ne sert pas**
Il est recommandé d'exécuter un cycle de nettoyage alors que le lave-vaisselle est vide avant de le débrancher. Fermez l'alimentation en eau et laissez la porte de l'appareil légèrement ouverte. Cela aidera les joints d'étanchéité de la porte à durer plus longtemps et empêchera la formation d'odeurs dans l'appareil.
- **Joints d'étanchéité**
Un des facteurs qui causent la formation d'odeurs dans le lave-vaisselle est le fait que des aliments restent piégés dans les joints d'étanchéité. Un nettoyage périodique au moyen d'une éponge humide empêchera ce phénomène.

Codes d'erreurs :

La lumière témoin 'Cycle vitesse' clignote : Le robinet d'eau n'est peut-être pas ouverte complètement, la prise d'eau est obstruée, ou la pression d'eau est trop faible.

La lumière témoin 'Cycle de verre' clignote : Il y a peut-être une fuite d'eau quelque part dans l'appareil. Coupez l'alimentation en eau et appelez le service.



Dépannage

Il peut arriver qu'un problème mineur se produise qui ne nécessite pas d'appel de service. Consultez ce guide de dépannage pour trouver une solution possible. Si l'appareil continue de mal fonctionner, appelez un atelier de réparation autorisé ou le numéro sans frais de Danby, au **1-800-263-2629**, pour obtenir de l'assistance.

PROBLÈME	CAUSE POSSIBLE	SOLUTION
Le lave-vaisselle ne fonctionne pas	<ul style="list-style-type: none"> • Fusible grillé ou disjoncteur déclenché. • L'alimentation en électricité n'est pas allumée. • La pression d'eau est faible. 	<ul style="list-style-type: none"> • Remplacez le fusible ou réinitialisez le disjoncteur. • Assurez-vous que le lave-vaisselle est allumé et que la porte est fermée. Branchez le cordon correctement. • Assurez-vous que l'alimentation en eau est branchée et que l'eau est ouverte.
Bruit	<ul style="list-style-type: none"> • Certains sons sont normaux. • Ustensiles mal mis dans le panier / quelque chose a tombé dans le panier. • Le moteur bourdonne. 	<ul style="list-style-type: none"> • Sons provenant du déchiquetage des aliments mous et de l'ouverture du distributeur de détergent. • Assurez-vous que tout est bien fixé dans le lave-vaisselle. • Si vous ne l'utilisez pas souvent, il est possible que le détergent bourdonne - n'oubliez pas de remplir et de drainer l'appareil toutes les semaines afin que les joints d'étanchéité restent humides.
Mousse dans la cuve.	<ul style="list-style-type: none"> • Mauvais détergent. • Trop de savon • Agent de rinçage renversé. 	<ul style="list-style-type: none"> • Pour éviter la formation de mousse, n'utilisez que du détergent pour lave-vaisselle. En cas de présence de mousse, ouvrez la porte et laissez la mousse s'évaporer. • Essayez toujours immédiatement l'agent de rinçage renversé.
La vaisselle ne sèche pas	<ul style="list-style-type: none"> • Le distributeur d'agent de rinçage est vide. 	<ul style="list-style-type: none"> • Assurez-vous que le distributeur d'agent de rinçage est plein.
Les assiettes et la cutellerie ne sont pas propres (taches et pellicules)	<ul style="list-style-type: none"> • Mauvais programme sélectionné/exécuté. • Mauvais chargement du panier. • Agent de rinçage est vide • Eau extrêmement dure. 	<ul style="list-style-type: none"> • Sélectionnez un programme plus puissant. • Assurez-vous que le distributeur de détergent et le gicleurs ne sont pas bloqués par de grandes assiettes. • Enlevez tous les ustensiles en métal du lave-vaisselle
Il reste du détergent dans le distributeur de détergent	<ul style="list-style-type: none"> • La vaisselle bloque le distributeur de détergent. • Pas assez d'eau 	<ul style="list-style-type: none"> • Rechargez correctement la vaisselle. • Vérifiez l'alimentation d'eau
Eau dans le fond de la cuve	<ul style="list-style-type: none"> • Cela est normal. 	<ul style="list-style-type: none"> • Une petite quantité d'eau propre autour de l'orifice de sortie au fond de la cuve, à l'arrière, maintient la lubrification du joint hydraulique.
La pompe ne vide pas la cuve	<ul style="list-style-type: none"> • Le drain est bloqué. • Le tuyau est plié • Le moteur de la pompe est défectueux. 	<ul style="list-style-type: none"> • Assurez-vous que l'évier de cuisine se vide correctement. Si le lave-vaisselle se vide dans un broyeur de déchets, faites fonctionner celui-ci jusqu'à ce qu'il soit vide. • Faites-le vérifier par un technicien qualifié.
Le lave-vaisselle fuit/émet de la vapeur	<ul style="list-style-type: none"> • Distributeur trop plein ou agent de rinçage renversé. • Le lave-vaisselle n'est pas de niveau. • La vapeur est normale. 	<ul style="list-style-type: none"> • Assurez-vous de ne pas trop remplir le distributeur d'agent de rinçage. L'agent de rinçage renversé pourrait causer une formation excessive de mousse entraînant un débordement. Essayez tous les renversements au moyen d'un chiffon humide. • Assurez-vous que le lave-vaisselle est de niveau. • L'émission de vapeur par le loquet de la porte est normale lors du séchage et du drainage de l'eau.

GARANTIE LIMITÉE SUR APPAREIL ÉLECTROMÉNAGER

Cet appareil de qualité est garanti exempt de tout vice de matière première et de fabrication, s'il est utilisé dans les conditions normales recommandées par le fabricant.

Cette garantie n'est offerte qu'à l'acheteur initial de l'appareil vendu par Danby Products Limited (Canada) ou Danby Products Inc. (E.- U. A.) (ci-après « Danby ») ou par l'un des ses distributeurs agréés et elle ne peut être transférée.

CONDITIONS

Les pièces en plastique sont garanties pour trente (30) jours seulement à partir de la date de l'achat, sans aucune prolongation prévue.

Premiers 12 mois Pendant les premiers douze (12) mois, toutes pièces fonctionnelles de ce produit qui s'avèrent défectueuses seront réparées ou remplacées, selon le choix du garant, sans frais à l'acheteur INITIAL.

Pour bénéficier du service Le client sera responsable pour le transport et tous les frais d'expédition de tout appareil exigeant le service au dépôt de service autorisé le plus proche. S'adresser au détaillant qui a vendu l'appareil, ou à la station technique agréée de service la plus proche, où les réparations doivent être effectuées par un technicien qualifié. Si les réparations sont effectuées par quiconque autre que la station de service agréée où à des fins commerciales, toutes les obligations de Danby en vertu de cette garantie seront annulées.

Aucune partie de la garantie ne prévoit implicitement que le fabricant sera tenu responsable des dommages subis par les aliments ou d'autres types de contenu, qu'ils soient causés par la défectuosité de l'appareil ou par son usage adéquat ou inadéquat.

EXCLUSIONS

En vertu de la présente, il n'existe aucune autre garantie, condition ou représentation, qu'elle soit exprimée ou tacite, de façon manifeste ou intentionnelle, par Danby ou ses distributeurs agréés. De même, sont exclues toutes les autres garanties, conditions ou représentations, y compris les garanties, conditions ou représentations en vertu de toute loi régissant la vente de produits ou de toute autre législation ou règlement semblables.

En vertu de la présente, Danby ne peut être tenue responsable en cas de blessures corporelles ou des dégâts matériels, y compris à l'appareil, quelle qu'en soit les causes. Danby ne peut pas être tenue responsable des dommages indirects dus au fonctionnement défectueux de l'appareil. En achetant l'appareil, l'acheteur accepte de mettre à couvert et de dégager Danby de toute responsabilité en cas de réclamation pour toute blessure corporelle ou tout dégât matériel causé par cet appareil.

CONDITIONS GÉNÉRALES

La garantie ou assurance ci-dessus ne s'applique pas si les dégâts ou réparations sont dus aux cas suivants :

- 1) Panne de courant.
- 2) Dommages subis pendant le transport ou le déplacement de l'appareil.
- 3) Alimentation électrique incorrecte (tension faible, câblage défectueux, fusibles incorrects).
- 4) Accident, modification, emploi abusif ou incorrect de l'appareil tel qu'une circulation d'air inadéquate dans la pièce ou des conditions de fonctionnement anormales (température extrêmement élevée ou basse).
- 5) Utilisation dans un but commercial ou industriel (à savoir, si l'appareil n'est pas installé dans un domicile résidentiel).
- 6) Incendie, dommages causés par l'eau, vol, guerre, émeute, hostilités, cas de force majeure (ouragan, inondation, etc.).
- 7) Visites d'un technicien pour expliquer le fonctionnement de l'appareil au propriétaire.
- 8) Installation inappropriée (par exemple, encastrement d'un appareil autoportant, ou utilisation extérieure d'un appareil non conçu à cet effet). Une preuve d'achat doit être présentée pour toute demande de réparation sous garantie. Prière de garder le reçu. Pour faire honorer la garantie, présenter ce document à la station technique agréée ou s'adresser à :

Service sous garantie
En Atelier

Danby Products Limited
PO Box 1778, Guelph, Ontario, Canada N1H 6Z9
Téléphone: (519) 837-0920 Télécopieur: (519) 837-0449

1-800-263-2629
03/14

Danby Products Inc.
PO Box 669, Findlay, Ohio, U.S.A. 45840
Téléphone: (419) 425-8627 Télécopieur: (419) 425-8629

Gracias por elegir Danby

Sabemos que está emocionado. Nosotros lo estamos también! Sin embargo, cuanto más se familiarice con su nuevo aparato, mejor será su experiencia. Por lo tanto le sugerimos de manera especial que lea **este manual de instrucciones antes de conectar su nuevo aparato**. Este manual contiene importante información operacional que le ayudará a hacer un uso completo de las características técnicas disponibles en su aparato Danby. El manual también contiene información diseñada para mejorar la fiabilidad y seguridad operacional de su aparato, así como consejos para el mantenimiento del mismo, lo que le traerá felicidad en los años venideros.

Por favor, visite www.danby.com para acceder a herramientas de autoservicio, preguntas frecuentes y más. En caso de necesitar asistencia adicional, por favor llame al 1-800-26-DANBY (1-800-263-2629). Por favor tenga disponible su recibo de compra y número de modelo cuando llame.

Nota: Esta información será necesaria si su unidad requiere servicio o para hacer consultas generales. Para recibir servicio técnico debe sonstrar el recibo original.

Número de modelo: _____
Número de serie: _____
Fecha de la compra: _____

NECESITA AYUDA

Antes de solicitar servicio, hay algunas cosas que puede hacer para ayudarnos a servirle mejor:

Lea este manual:

Contiene instrucciones que lo ayudarán a mantener correctamente su unidad.

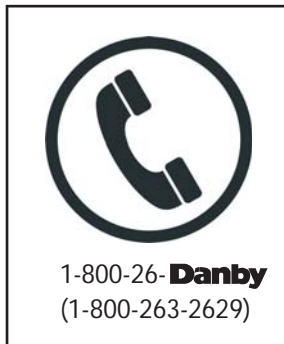
Si usted recibe un artefacto dañado:

Llame inmediatamente al distribuidor (o constructor) que se lo vendió.

Ahorre tiempo y dinero:

Lea la sección de Diagnóstico de problemas antes de llamar. Esta sección le ayudará a resolver problemas comunes que pudieran ocurrir.

Si necesita asistencia, no se preocupe y llámenos.





Instrucciones de seguridad importantes

LEA TODA LA INFORMACIÓN SOBRE SEGURIDAD ANTES DE UTILIZAR EL EQUIPO

Tome las siguientes precauciones al usar su lavavajillas :

LA CONEXIÓN A TIERRA

Este artefacto debe ser conectado a tierra. En caso de falla o avería, la conexión a tierra reducirá el riesgo de descarga eléctrica proporcionando un camino de menor resistencia. Este artefacto viene con un cable de alimentación que tiene un conductor y pata del enchufe a tierra.

El enchufe certificado debe conectarse a un tomacorriente apropiado que esté instalado y conectado a tierra de acuerdo con las normas y reglamentaciones locales.

Si el cable de alimentación es dañado, éste debe sustituirse por el fabricante, por su agente de servicio autorizado o por personal calificado con el fin de evitar un peligro.

ADVERTENCIA

- El uso inadecuado del enchufe de conexión a tierra puede resultar en un riesgo de choque eléctrico.
- Consulte con un electricista calificado o representante técnico si tiene dudas acerca de la conexión a tierra del artefacto. No modifique el enchufe suministrado con el artefacto; si no entra en el tomacorriente, haga que un electricista calificado le instale el tomacorriente adecuado.

PRECAUCIONES DE SEGURIDAD

- No abuse, se siente o pare en la puerta o la bandeja del lavavajillas.
- No toque el elemento calefactor durante o inmediatamente después de usarlo. (Las instrucciones solo son válidas para equipos en los cuales el elemento calefactor sea visible.)
- No use el lavavajillas a menos que todas sus partes periféricas estén correctamente en su lugar.
- No coloque objetos pesados en la puerta cuando esté abierta. El artefacto podría caerse hacia delante.

• Al colocar artículos para lavar:

- 1) Coloque los objetos filosos de manera que no dañen el burlete de la puerta;
- 2) Advertencia: Los cuchillos y demás utensilios con puntas filosas deben colocarse en el canasto con las puntas hacia abajo o en posición horizontal.

- Evite que los artículos de plástico hagan contacto con un elemento calefactor. (Las instrucciones solo son válidas para equipos en los cuales el elemento calefactor sea visible.)
- Verifique que el recipiente del detergente esté vacío al finalizar el ciclo de lavado.
- No lave artículos de plástico a menos que sean “aptos para lavavajillas”. Verifique las recomendaciones del fabricante para los artículos de plástico que no tengan indicaciones.
- Use solamente detergente y aditivos de enjuague diseñados para lavavajillas automáticos.
- Nunca use en su lavavajillas jabón, detergente de lavar, o detergente para lavar a mano. Mantenga estos productos fuera del alcance de los niños.

- Mantenga a los niños alejados del detergente y del agente de enjuague. También manténgalos alejados de la puerta abierta del lavavajillas porque todavía podrían quedar restos de detergente en su interior.
- Los detergentes para lavavajillas son altamente alcalinos y pueden ser extremadamente peligrosos si se ingieren. Evite el contacto con la piel y los ojos y mantenga a los niños alejados del lavavajillas cuando esté la puerta abierta.
- Este aparato no se destina para utilizarse por personas (incluyendo niños) cuyas capacidades físicas, sensoriales o mentales sean diferentes o estén reducidas, o carezcan de experiencia o conocimiento, a menos que dichas personas reciban una supervisión o capacitación para el funcionamiento del aparato por una persona responsable de su seguridad.
- Los niños deben supervisarse para asegurar que ellos no empleen los aparatos como juguete.
- No deje la puerta abierta ya que alguien puede tropezarse con ella.
- Si se daña algún cable eléctrico, debe ser reemplazado por un técnico calificado para evitar accidentes.
- Retire la puerta del lavavajillas cuando vaya a desecharlo.
- Deseche adecuadamente el material de empaque.
- Use el lavavajillas únicamente para las aplicaciones para las que fue diseñado.
- Durante la instalación, no tuerza o aplaste excesivamente el cable de alimentación. No modifique los controles.
- Debe usar juegos nuevos de mangueras para conectar el lavavajillas a la toma de agua y no deberá reutilizar los juegos de mangueras viejos.
- La cantidad máxima de ajustes de lavado es 6.
- La presión de entrada máxima de agua permitida es de 85 PSI.
- La presión de entrada mínima de agua permitida es de 25 PSI.

¡GUARDE ESTAS INSTRUCCIONES!

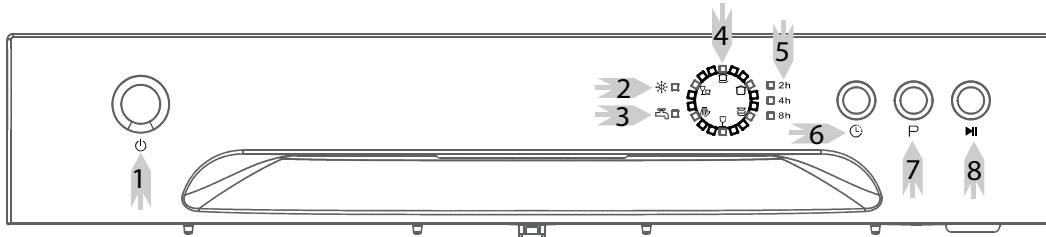


Instrucciones operadoras

LEA Y SEGUIR TODAS LAS INSTRUCCIONES DE OPERADORAS

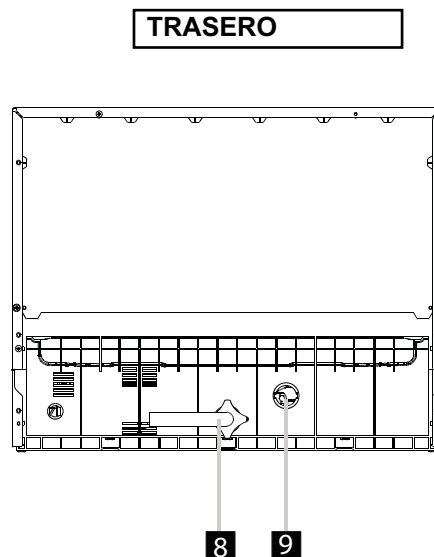
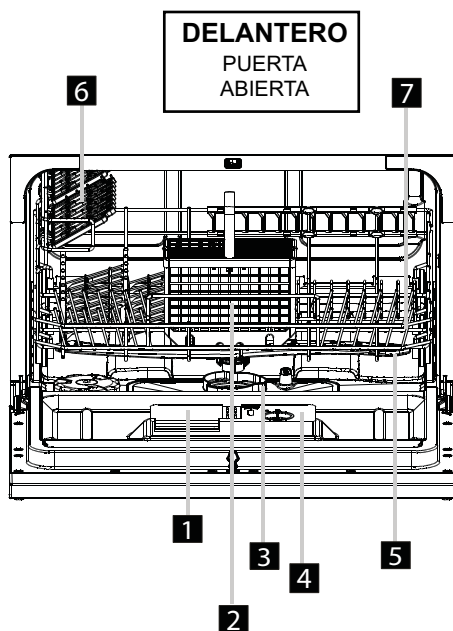
Para obtener el mejor rendimiento, lea todas las instrucciones de uso antes de usarlo por primera vez.

PANEL DE CONTROL



- 1) Botón de encendido: Enciende y apaga el suministro de energía.
- 2) Luz de alarma de agente de enjuague: Se iluminará cuando el surtidor de agente de enjuague necesite ser rellenado.
- 3) Indicador de la válvula de agua: se ilumina cuando el grifo de agua no se ha encendido.
- 4) Botón indicador del programa: Use estos botones para cambiar de un programa de lavado a otro.
- 5) Tiempo de retardo: Indica el tiempo de retardo es de 2, 4, 6 u 8 horas. Durante 6 horas, las luces de 2 horas y 4 horas se encenderán simultáneamente.
- 6) Botón de retardo: Pulse este botón para ajustar la hora de inicio retardado.
- 7) Selector de programas de lavado: Pulse para seleccionar ciclos de lavado.
- 8) Botón de Arranque/Reinicio: Presione este botón para hacer funcionar el lavavajillas o para detenerlo.

LAVAPLATOS CARACTERÍSTICAS



- 1 Dispensador de detergente
- 2 Cesto de los cubiertos
- 3 Conjunto de filtro
- 4 Distribuidor de abrillantador
- 5 Rocío brazo
- 6 Estante copa
- 7 Cesta
- 8 Conector de tubería cerebro
- 9 Conector de entrada de la tubería



Instrucciones operadoras

ANTES DE USARLO POR PRIMERA VEZ

A. LLENE EL SURTIDOR DE AGENTE DE ENJUAGUE

SURTIDOR DE AGENTE DE ENJUAGUE

El agente de enjuague se libera durante el último enjuague para evitar que la formación de gotas de agua deje manchas y vetas en la vajilla. También ayuda al secado porque permite que el agua no se adhiera a la vajilla. Su lavavajillas está diseñado para usar agentes de enjuague líquidos. El surtidor de agente de enjuague está ubicado dentro de la puerta, junto al surtidor de detergente. Para llenar el surtidor, abra la tapa y vierta el agente de enjuague dentro del surtidor hasta que el indicador de nivel se vuelva completamente negro. El volumen del recipiente del agente de enjuague es de 100 mL.

FUNCIÓN DEL AGENTE DE ENJUAGUE

El agente de enjuague se añade automáticamente durante el último enjuague, lo cual garantiza un enjuague meticuloso y también permite reducir la formación de manchas y vetas.

ADVERTENCIA

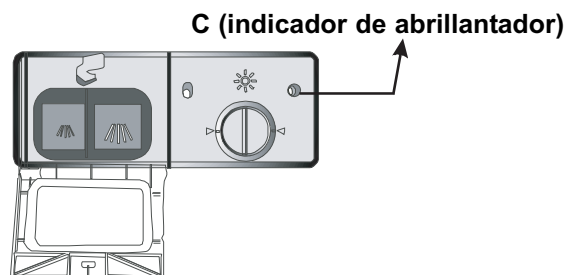
Nunca llene el surtidor de agente de enjuague con ninguna otra sustancia (por ejemplo, agente de limpieza para lavavajillas, detergente líquido). Esto dañaría el artefacto.

CUÁNDO RELLENAR EL SURTIDOR DE AGENTE DE ENJUAGUE

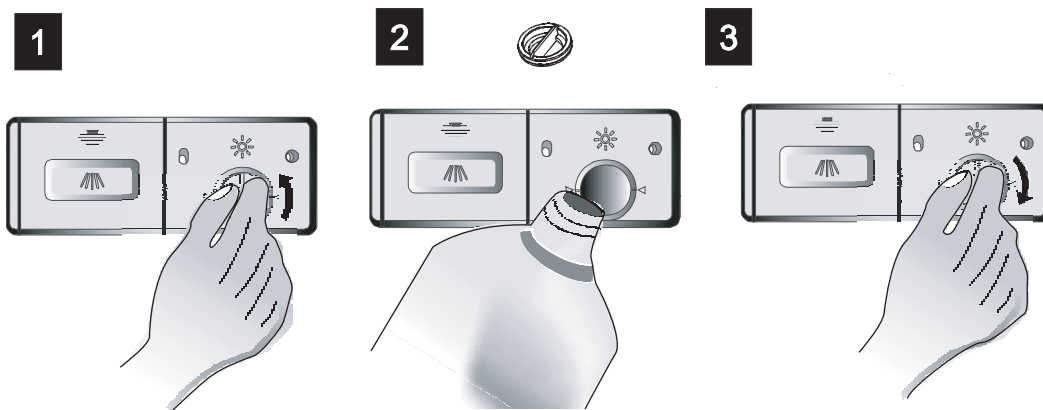
La cantidad de agente de enjuague puede medirse guiándose por el color del indicador óptico de nivel "C" situado junto a la tapa. Cuando el recipiente de enjuague se llene, el indicador estará completamente negro. A medida que disminuya el agente de enjuague, el tamaño del punto oscuro disminuirá. Nunca debe dejar que el agente de enjuague disminuya por debajo de 1/4 de la capacidad.

A medida que disminuya el agente de enjuague, el tamaño del punto negro en el indicador de nivel del agente de enjuague variará, como se ilustra a continuación:

- Lleno
- 3/4 lleno
- 1/2 lleno
- 1/4 lleno debe rellenar para eliminar manchas
- Vacío



ABRIENDO EL DISPENSADOR



ADVERTENCIA

Con un trapo absorbente, limpie cualquier derrame que se haya producido durante el llenado para evitar el exceso de espuma en el próximo lavado. No se olvide de colocarle la tapa antes de cerrar la puerta del lavavajillas.

- 1** Para abrir el surtidor, gire la tapa hasta la flecha de "open" (izquierda) y levántela.
- 2** Vierta el agente de enjuague dentro del surtidor, teniendo cuidado de no llenarlo de más.
- 3** Vuelva a colocar la tapa insertándola alineada con la flecha de "open" y girándola hacia la derecha.



Instrucciones operadoras

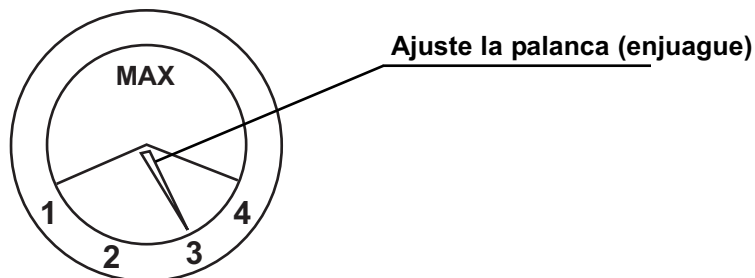
ANTES DE USARLO POR PRIMERA VEZ

A. LLENE EL SURTIDOR DE AGENTE DE ENJUAGUE

AJUSTE DEL DISTRIBUIDOR ABRILLANTADOR

El surtidor de agente de enjuague tiene cuatro ajustes. El ajuste recomendado es "3". Si la vajilla todavía no se seca correctamente o sale manchada, ajuste el dial a la posición superior siguiente, si está usando el ajuste recomendado que sería "4".

NOTA: *Incremente la dosis si hay manchas de gotas de agua o sarro en los platos después del lavarlos. Redúzcala si hay manchas pegajosas en los platos o una película azulada en la cristalería o en las hojas de los cuchillos.*



B. FUNCIÓN DE DETERGENTE

USO CORRECTO DE DETERGENTE

- Se necesitan detergentes con ingredientes químicos para limpiar la suciedad de los utensilios de cocina y eliminarla del lavavajillas.
- Use solo detergente especial para lavavajillas. Manténgalo fresco y seco.
- No coloque detergente en polvo en el surtidor hasta que esté listo para comenzar un nuevo ciclo.

DETERGENTES

Hay tres tipos de detergente.

1. Con fosfato y con cloro
2. Con fosfato y sin cloro
3. Sin fosfato y sin cloro

DETERGENTE CONCENTRADO

Según su composición química, los detergentes pueden dividirse en dos tipos básicos:

- Detergentes convencionales, alcalinos con componentes cáusticos.
- Detergentes concentrados de bajo contenido alcalino con enzimas naturales.

El uso de programas de lavado "normal" en combinación con detergentes concentrados reduce la contaminación ambiental y es bueno para sus platos; estos programas de lavado están especialmente diseñados a la medida de las propiedades de las enzimas del detergente concentrado para disolver la suciedad. Es por esta razón que los programas de lavado normal que se usan con detergentes concentrados pueden conseguir los mismos resultados que, de otro modo, solo podrían lograrse usando programas "intensivos".



Instrucciones operadoras

ANTES DE USARLO POR PRIMERA VEZ

B. FUNCIÓN DE DETERGENTE

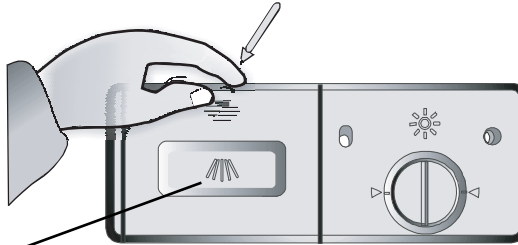
CAJÓN DE DETERGENTES

El surtidor debe llenarse antes de comenzar cada ciclo de lavado siguiendo las instrucciones de la Tabla de Ciclos de Lavado. Este lavavajillas usa menos detergente y agente de enjuague que un lavavajillas convencional. Generalmente, se necesita solo una cucharada de detergente para el lavado de una carga normal. Además, los artículos más sucios necesitan más detergente. Siempre agregue el detergente justo antes de encender el lavavajillas, de lo contrario puede humedecerse y no disolverse correctamente.

CANTIDAD DE DETERGENTE A USAR

1

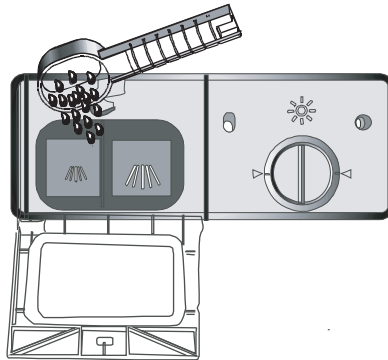
Presione la traba para abrir



Compartimento de prelavado

2

 Detergente en polvo



NOTA: • Si la cubierta está cerrada: presione el botón de liberación. Se abrirá la cubierta.
• Siempre añada el detergente justo antes de comenzar cada ciclo de lavado.

ADVERTENCIA

¡El detergente para lavavajillas es corrosivo! Manténgalo fuera del alcance de los niños.



Instrucciones operadoras

ANTES DE USARLO POR PRIMERA VEZ

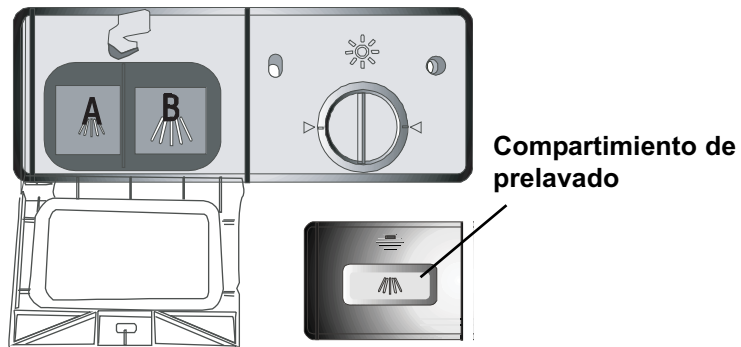
B. FUNCIÓN DE DETERGENTE

AGREGUE EL DETERGENTE

Llene el surtidor de detergente con detergente. Las marcas indican los niveles de dosificación, como se ilustra a continuación:

A Puede contener 15 g de detergente.

B Puede contener 25 g de detergente



Consulte las recomendaciones del fabricante que aparecen en el paquete de detergente para conocer la cantidad que debe usar.

Cierre la tapa y presiónela hasta que se trabe en su lugar.

Si los platos están demasiado sucios, coloque una dosis adicional de detergente en la cámara de detergente para prelavado. Este detergente se usará durante la fase de pre-lavado.

NOTA:

- Tenga en cuenta que, en dependencia del nivel de suciedad y de la dureza específica del agua, puede haber diferencias.
- Lea las recomendaciones del fabricante que aparecen en el paquete de detergente.



Instrucciones operadoras

Carga del canasto del lavavajillas

RECOMENDACIÓN

- Compre utensilios identificados como especiales para lavavajillas.
- Para artículos especiales, seleccione un programa con una temperatura baja.
- No saque la cristalería ni los cubiertos del lavavajillas inmediatamente después de concluido el programa (ciclo de lavado) porque pueden estar calientes.

NO SON ADECUADOS

- Cubiertos con mangos de madera, porcelana o nácar.
- Elementos de plástico que no son resistentes al calor.
- Cubiertos más antiguos con partes pegadas que no resisten altas temperaturas.
- Cubiertos o platos con partes pegadas.
- Elementos de cobre o estaño.
- Elementos de cristal.
- Elementos de acero propensos a la oxidación.
- Bandejas de madera.
- Elementos fabricados de fibras sintéticas.

SU ADECUACIÓN ES LIMITADA

- Algunos tipos de vasos pueden opacarse después de gran cantidad de lavados.
- Las partes de plata y aluminio tienden a descolorarse durante/después del lavado.
- El lustre de los utensilios puede perderse si se lavan a máquina con frecuencia.

LAVADO DE CUBIERTOS/PLATOS

ANTES/DESPUÉS DE CARGAR LOS CANASTOS DEL LAVAVAJILLAS

(Siga estas instrucciones de carga para obtener el mejor rendimiento. Las características y la apariencia de los canastos para cubiertos pueden ser diferentes a las de su modelo.)

Raspe los residuos grandes de comida. Ablande los remanentes de comida quemada en las ollas. No es necesario enjuagar los platos con agua.

Coloque los utensilios en el lavavajillas de la siguiente forma:

1. Utensilios como tazas, vasos, ollas/sartenes, etc. boca abajo.
2. Utensilios curvos, o aquellos que tienen cavidades, deben colocarse inclinados de manera tal que el agua pueda correr sin acumularse en ellos.
3. Todos los utensilios están bien colocados y no se caerán.
4. Todos los utensilios están colocado de manera tal que los brazos rociadores pueden girar libremente durante el lavado.

NOTA: *Los elementos muy pequeños no deben lavarse en el lavavajillas porque podrían caerse fácilmente fuera del canasto.*

- Los platos y los cubiertos no deben estar unos dentro de otros ni cubrirse los unos a los otros.
- Para evitar que se dañen los elementos de cristal, no deben estar en contacto.
- Cargue los utensilios más grandes que son más difíciles de limpiar en el canasto.
- Los cuchillos afilados colocados en posición vertical son un peligro potencial.
- Los cubiertos alargados y/o filosos, como los cuchillos para trocear, deben colocarse en posición horizontal en la bandeja (canasto).
- No recargue el lavavajillas. Esto es importante para obtener buenos resultados y para que el consumo de electricidad sea razonable.

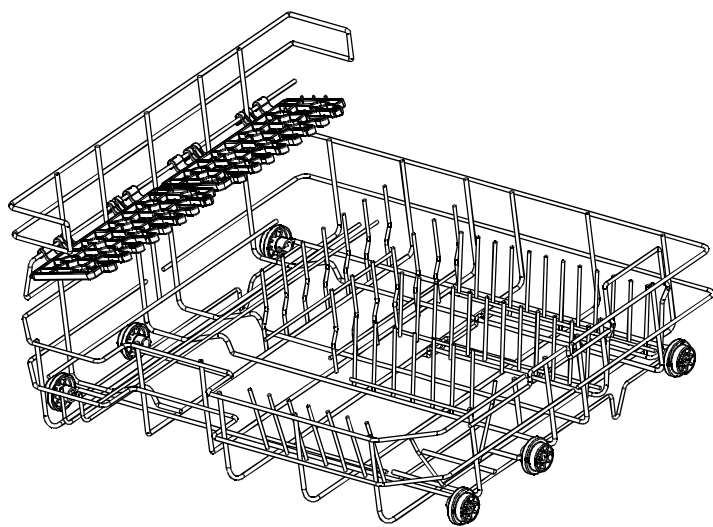
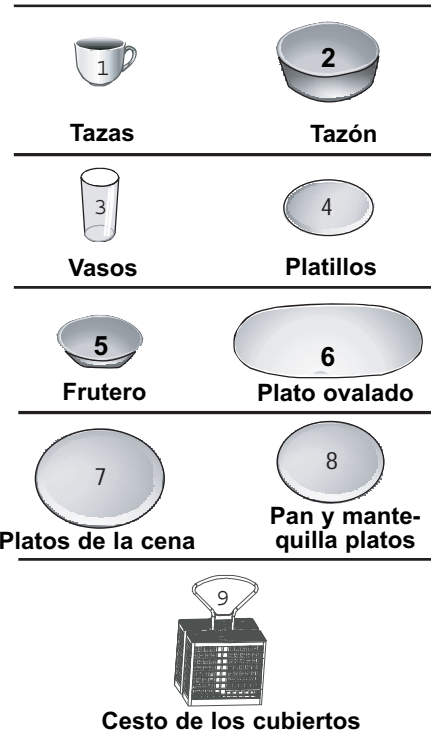
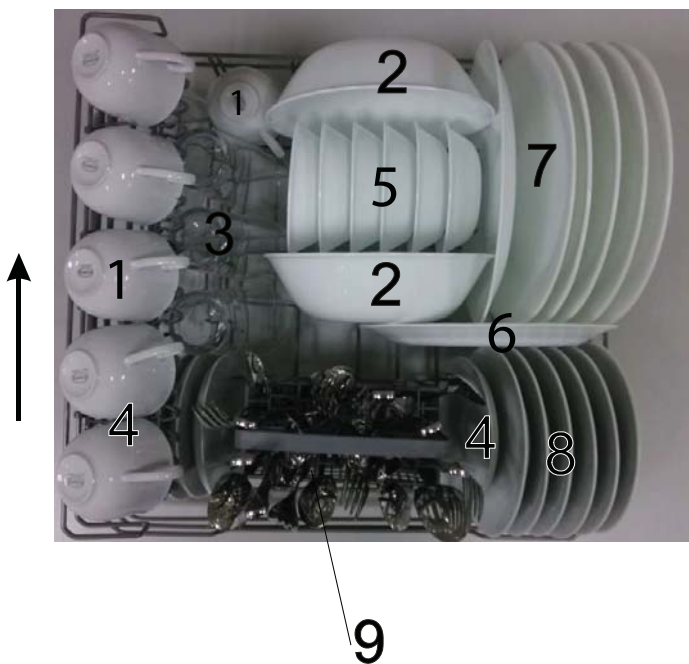


Instrucciones operadoras

Carga del canasto del lavavajillas

CARGA DE LA CESTA

Coloque la vajilla y ollas de modo que los chorros de agua no los muevan.



Portavajillas del canasto

Los canastos están equipados con portavajillas que pueden colocarse horizontalmente si hace falta.



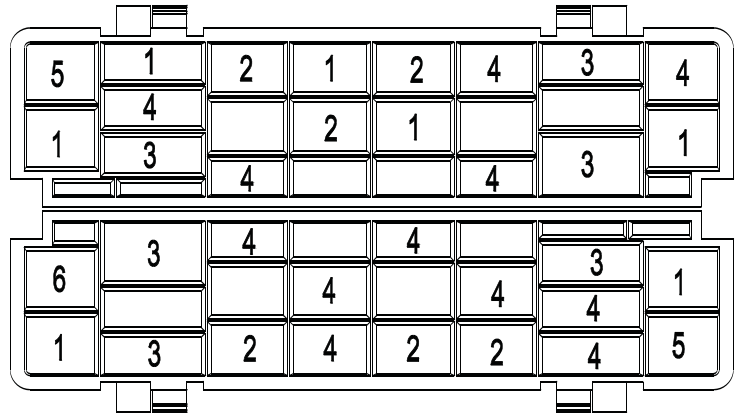
Instrucciones operadoras

Carga del canasto del lavavajillas

CESTO DE LOS CUBIERTOS

Los cubiertos deben colocarse en el canasto para cubiertos con los mangos hacia abajo. Si el portavajillas tiene canastos laterales, las cucharas deben colocarse separadas en las ranuras adecuadas, especialmente los utensilios largos deben colocarse en posición horizontal en la parte delantera de la canasta superior como se muestra.

EN



1 Horquillas cena



2 Horquillas para ensaladas



3 Cuchillos



4 Cucharillas



5 Sirviendo cucharas



6 Sirviendo horquillas



⚠ ADVERTENCIA

- No deje que ningún artículo sobresalga por abajo.
- Cargue siempre los utensilios filosos con la punta hacia abajo.

Para su seguridad personal y para conseguir una limpieza de máxima calidad, coloque sus cubiertos en la canasta:

- Asegúrese de que no están amontonados
- Coloque los cubiertos con los mangos hacia abajo.
- Coloque los cuchillos y otros utensilios que puedan ser peligrosos con los mangos hacia arriba.









Instrucciones operadoras

Comienzo de un programa de lavado

TABLA DE CICLOS DE LAVADO

• (*) Significa: El ciclo necesita un agente de enjuague.

• AHAM DW-1-2005 : Este programa es el ciclo de prueba. Se recomienda colocar el surtidor de agente de enjuague en la posición 6.

Programa	Información de selección de ciclo	Descripción del ciclo	Detergente pre/main	Tiempo de ejecución (min)	Energía (Kwh)	Agua (L)	Abrillanta dor
 Pesado	Para las cargas más sucias, como ollas, sartenes, cacerolas y platos que se hayan dejado por un tiempo con comida seca.	Prelavado Prelavado (50°C) Lavado (55°C) Lavado (50°C) Enjuague Enjuague (68°C) El secado	3/25g	100	0.47	14.5	*
 Normal AHAM DW-1-2005	Para cargas con suciedad normal, como ollas, platos, vasos y sartenes levemente sucias. Ciclo normal diario.	Prelavado Prelavado (52°C) Lavado (52°C) Enjuague Enjuague (65°C) El secado	3/25g	110	0.38	10.8	*
 Ligero	Para cargas con poca suciedad, como platos, vasos, tazones y sartenes levemente sucias.	Prelavado Prelavado (50°C) Lavado (50°C) Enjuague Enjuague (60°C) El secado	3/25g	75	0.32	12	*
 Vidrio	Para cargas poco sucias, como vasos, cristal y porcelana fina.	Lavado (45°C) Enjuague Enjuague (50°C)	15g	20	0.22	7	*
 Velocidad	Ciclo más corto para cargas poco sucias que no necesitan secado.	Prelavado Prelavado (50°C) Lavado (50°C) Enjuague Enjuague (55°C)	15g	45	0.29	12	
 Remojar	Para enjuagar platos que planea lavar más tarde en el día.	Prelavado Lavado	/	24	0.02	5	*

AL ENCENDER EL APARATO

Iniciar un ciclo de lavado...

Saque el canasto (vea la sección "Carga del lavavajillas").

Vierta el detergente y enchufe el equipo. La alimentación es de 120 V/60 Hz.

Asegúrese de que el suministro de agua esté abierto a la presión y temperatura máximas, dejando correr la llave para remover el agua fría de la manguera.

- Presione el botón de programa para seleccionar el programa que necesite.
- **Intenso->Normal->Ligero->Cristal->Rápido->Remojar**
- Luego, presione el botón de Arranque/Reinicio para arrancar el lavavajillas.

NOTA: Cuando presiona el botón Arranque/Reinicio para pausar el ciclo de lavado, el tiempo en pantalla dejará de parpadear y el programa se detendrá. Permanecerá en esta etapa del ciclo hasta que lo vuelva a reiniciar.



Instrucciones operadoras

Comienzo de un programa de lavado

CAMBIO DEL PROGRAMA

Puede modificar el programa de lavado si el lavavajillas ha estado funcionando por poco tiempo. De otro modo puede que ya se haya vertido el detergente y que ya se haya expulsado el agua de lavado. Si ese es el caso, deberá volver a llenar el surtidor de detergente.

Para cambiar el programa de lavado, presione el botón de arranque/reinicio para pausar el programa en marcha, y luego deje presionado el botón de programa durante al menos 3 segundos antes de elegir un programa diferente y reanudar el ciclo de lavado.

NOTA: Si abre la puerta durante el lavado, la máquina hará una pausa. Al cerrar la puerta y pulse el botón **START / RESET** el lavado se reanuda 10 segundos después de cerrar la puerta.

Las luces indicadoras muestran el estado del lavavajillas:

- a) Todo fase luces apagadas ----- En el stand por
- b) La pantalla tiene ningún parpadeo ----- Siendo una pausa
- c) La pantalla parpadea ----- funcionamiento

¿OLVIDÓ UN PLATO?

Puede añadir platos olvidados en cualquier momento antes de que se abra el recipiente del detergente.

- 1** Presione el botón de arranque/reinicio para pausar el ciclo.
- 2** Abra un poco la puerta para detener el lavado
- 3** Cuando se hayan detenido los brazos rociadores puede abrir la puerta completamente.
- 4** Añada los platos que olvidó.
- 5** Cierre la puerta.
- 6** Presione el botón de arranque/reinicio; el lavavajillas arrancará después de 10 segundos

AL FINAL DEL CICLO DE LAVADO

Cuando haya finalizado el ciclo de lavado, la sirena sonará durante 8 segundos, y luego se detendrá. Apague el artefacto usando el botón de encendido, cierre el suministro de agua y abra la puerta del lavavajillas. Espere unos minutos antes de descargar el lavavajillas para evitar manejar los platos y los utensilios cuando todavía están calientes y son más susceptibles a romperse. Esto también permitirá que se sequen mejor.

• Apague el lavavajillas

Nota: ¡Todas las luces de fase están apagadas!

1. Apague el lavavajillas presionando el botón de encendido.
2. ¡Cierre la llave del agua!

• Abra la puerta con cuidado

Los platos calientes son vulnerables a los impactos. Es por eso que deberían dejarse enfriar durante unos 15 minutos antes de sacarlos del lavavajillas. Abra la puerta del lavavajillas, déjela entreabierta y espere unos minutos antes de sacar los platos. Así estarán más fríos y habrán tenido más tiempo de secarse.

• Descarga del lavavajillas

Es normal que el interior del lavavajillas esté húmedo durante y después de la descarga.

ADVERTENCIA

Es peligroso abrir la puerta mientras está funcionando porque puede quemarse con el agua caliente.



Instrucciones de instalación

PREPARACIÓN DE LA INSTALACIÓN

La posición de instalación del lavavajillas debe estar cerca de una toma de agua, de las mangueras de drenaje y del cable de alimentación. Debe elegirse un lado de la piletta del gabinete para facilitar la conexión de las mangueras de drenaje al lavavajillas.

COLOCACIÓN DEL ARTEFACTO

Coloque el artefacto en la ubicación que desee sobre la mesada. Asegúrese de que la unidad esté nivelada y lo suficientemente cerca de los suministros de agua y electricidad.

SOBRE LA CONEXIÓN DE ALIMENTACIÓN

ADVERTENCIA

Por su seguridad personal:

- NO UTILICE UN CABLE DE EXTENSIÓN NI UN ADAPTADOR CON ESTE APARATO.
- NO, BAJO NINGUNA CIRCUNSTANCIA CORTE O RETIRE LA CONEXIÓN A TIERRA DEL CABLE ELÉCTRICO.

REQUISITOS ELÉCTRICOS

Lea la etiqueta de especificaciones para conocer las especificaciones de voltaje y conecte el lavavajillas a una fuente de alimentación adecuada. Use el fusible requerido de 15 A, el fusible de retardo o la llave general recomendada y dedíquelo a un circuito exclusivo al lavavajillas.

CONEXIÓN ELÉCTRICA

Asegúrese de que el voltaje y la frecuencia de la alimentación que se está usando se corresponda con las especificaciones de la etiqueta. Enchufe el lavavajillas únicamente a una toma que esté correctamente conectada a tierra. Si la toma de corriente a la que debe conectarse el lavavajillas no se corresponde con el enchufe:

- Haga que un profesional calificado reemplace la toma.
- Evite usar adaptadores porque pueden provocar recalentamientos y quemaduras.

ADVERTENCIA

Asegurar aparato está conectado a tierra correctamente antes de su uso.

LA CONEXIÓN A TIERRA

Este artefacto debe ser conectado a tierra. En caso de un corto circuito eléctrico, la conexión a tierra reduce el riesgo de una descarga eléctrica proporcionando un cable de retorno para la corriente eléctrica. Este artefacto viene con un cable de alimentación que tiene un conductor y pata del enchufe de tierra. Este cable debe enchufarse en un tomacorriente debidamente instalado y con conexión a tierra.

ADVERTENCIA

- La conexión incorrecta del conductor de tierra del equipo puede resultar en el riesgo de una descarga eléctrica.
- Consulte a un electricista o representante de servicio calificado si tiene dudas sobre si el aparato está conectado a tierra correctamente.
- No modifique el enchufe suministrado con el aparato. Si el enchufe no entra correctamente en la toma de corriente, por favor haga que un electricista calificado instale una toma adecuada.



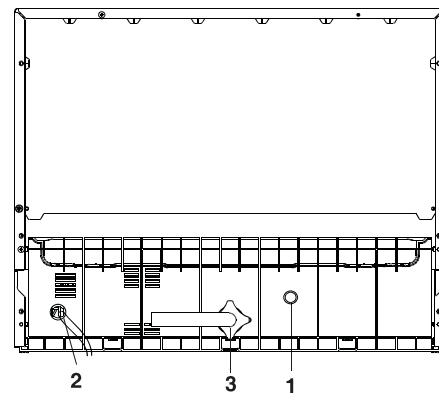
Instrucciones de instalación

CONEXIÓN DE AGUA

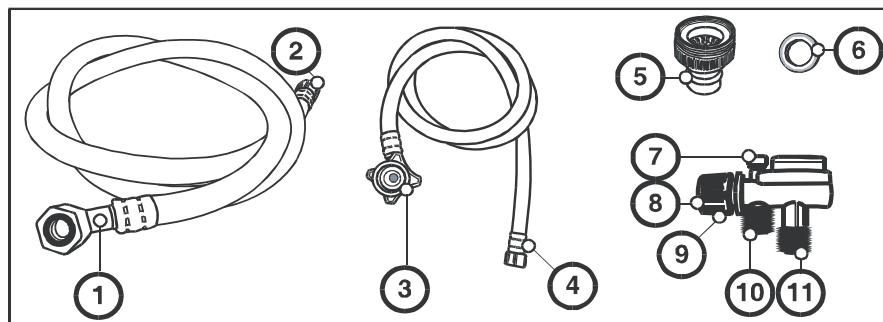
Parte posterior del lavavajillas:

Vista posterior

1. Puerto de drenaje
2. Cable de alimentación
3. Puerto de entrada



Su lavavajillas viene equipado con un "conector rápido" (incluye las mangueras de entrada y salida). Debe instalar el adaptador de grifo en el grifo antes de conectar el lavavajillas. Este adaptador viene incluido dentro de su lavavajillas. El adaptador es compatible con grifos del tipo macho (rosca externa) o hembra (rosca interna).



MONTAJE DE CONEXIÓN RÁPIDA

Manguera de desagüe

1. Conexión del puerto de drenaje
2. Conexión rápida

Manguera

3. Conexión del puerto de entrada
4. Conexión rápida

Adaptador para grifo

5. Adaptador para grifo
6. Arandela para grifo

Conector rápido

7. Válvula de liberación de presión
8. Conexión del adaptador para grifo
9. Collar exterior
10. Conexión de la manguera de entrada
11. Conexión de la manguera de drenaje

⚠ ADVERTENCIA

Para evitar que quede agua dentro de la manguera de entrada, cierre el grifo después de utilizarla.



Instrucciones de instalación

CONEXIÓN DE AGUA

1. Atornille el adaptador de grifo en el grifo de la piletta. Verifique que no haya pérdidas (si es necesario, use cinta de Teflón.)
 2. Conecte el conector hexagonal de la manguera de drenaje al puerto de drenaje en la parte posterior del lavavajillas. No lo ajuste de más (para evitar dañar la rosca).
 3. Conecte el conector estrellado de la manguera de alimentación al puerto de entrada de la parte posterior del lavavajillas. No lo ajuste de más (para evitar dañar la rosca.)
 4. Conecte la conexión circular de la manguera de drenaje al conector más largo (inferior) del conector rápido.
 5. Conecte la conexión circular de la manguera de entrada al conector más corto (superior) del conector rápido.
 6. Coloque el conector rápido al adaptador para grifo jalando hacia abajo el collar exterior del conector rápido mientras que lo empuja hacia arriba para insertarlo en el adaptador del grifo.
 7. Una vez que el conector rápido quede conectado al adaptador del grifo, suelte el collar de traba. Verifique que quede bien conectado.
 8. Abra lentamente el paso del agua caliente y verifique que no haya ninguna pérdida en ninguna de las mangueras. Si encuentra pérdidas, cierre inmediatamente el paso del agua y repare las conexiones.
- Nota:** Deje correr la llave de agua caliente para vaciar de las mangueras cualquier agua fría que pueda haber dentro de ellas.

⚠ IMPORTANTE

1. Luego de abrir el paso del agua (incluso si lo cierra inmediatamente después), la manguera de entrada quedará presurizada.
2. Para liberar presión de agua del interior de la manguera de entrada, asegúrese primero de que la línea de agua (grifo) esté cerrada, luego presione y mantenga presionado el botón rojo de liberación de presión en el conector rápido hasta que se detenga el flujo de agua.

⚠ ADVERTENCIA

Si no libera la presión del agua antes de desconectar el conector rápido del grifo se producirá una contrapresión que generará un rociado excesivo. La temperatura del agua que se rocía puede ser muy alta y puede causar quemaduras graves.

⚠ PELIGRO

No permita que los niños desconecten el lavavajillas. Siempre es importante mantener bien vigilados a los niños cuando están cerca de cualquier aparato.

NOTA: El agua dura afectará negativamente el rendimiento de su lavavajillas. El agua dura también contribuirá a la formación de depósitos de "sarro" (película blanca) y/o depósitos minerales en la superficie de acero inoxidable de la cuba del lavavajillas y el elemento calefactor ubicado en la cubeta debajo de la rejilla removible del filtro. Para minimizar esas condiciones, le recomendamos usar o enjuagar el interior del lavavajillas (vacío) con 1 taza de vinagre blanco una vez por semana.

DESCONEXIÓN DEL LAVAVAJILLAS

1. Cierre el paso del agua en el grifo
2. Libere presión de agua
3. Desconecte el cable de alimentación
4. Presione hacia abajo el collar del conector rápido



Instrucciones de instalación

PONER EN MARCHA EL LAVAVAJILLAS

Antes de encender el lavavajillas, debe revisar los siguientes elementos:

- 1** El lavavajillas está nivelado y fijado adecuadamente
- 2** No hay pérdidas en las conexiones
- 3** Los cables/tapones están bien conectados
- 4** El lavavajillas está encendido
- 5** Asegúrese de que las mangueras de entrada y drenaje no estén torcidas
- 6** Todos los materiales de empaque e información impresa removible deben quitarse del lavavajillas

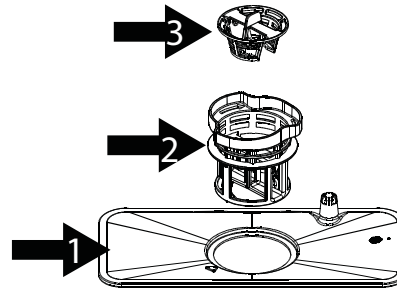


Cuidado y mantenimiento

SISTEMA DE FILTRADO

El filtro evita que restos de comida grandes y otros objetos penetren en la bomba.

El sistema del filtro consta de un filtro grueso, uno plano (filtro principal) y uno micro (filtro fino).



filtro principal 1

Los alimentos y basura atrapados por este filtro son triturados por un chorro especial del brazo rociador y desechados por el desagüe.

filtro fino 2

Este filtro atrapa tierra y restos de comida en la parte sumergida y evita que se depositen en la vajilla durante el ciclo de lavado.

filtro grueso 3

Las partículas más grandes, que podrían tapan el desagüe, como trozos de huesos o vidrio, son atrapadas en el filtro grueso. Para eliminar los fragmentos atrapados en el filtro, apriete levemente la tapa en la parte superior del filtro y extráigala hacia arriba.

CONJUNTO DE FILTRO

El filtro remueve eficientemente partículas de comida del agua de lavado, permitiendo reciclarla durante un ciclo. Debe limpiar el conjunto de filtración regularmente para mantener el mejor rendimiento. Por este motivo, es una buena idea remover las partículas más grandes de comida atrapadas por el filtro luego de cada ciclo de lavado enjuagando el filtro y la taza debajo de la canilla. Para quitar el conjunto de filtración, tire de la manija del recipiente para arriba.

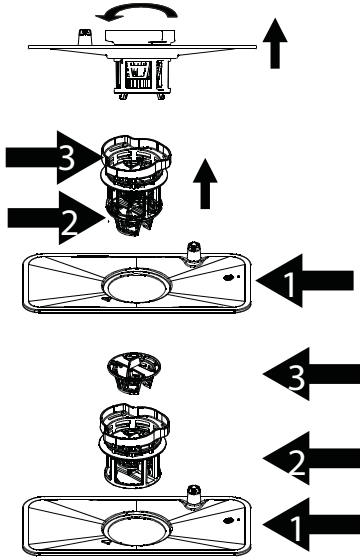
Nota: Se recomienda retirar y enjuagar el filtro después de cada ciclo de lavado.



Cuidado y mantenimiento

SISTEMA DE FILTRADO

abierto



⚠ ADVERTENCIA

- Nunca use el lavavajillas sin los filtros.
- El lavavajillas nunca debe usarse sin los filtros.
- La colocación incorrecta del filtro puede reducir el rendimiento del artefacto y dañar la vajilla y los utensilios.

Paso 1. Gire el filtro fino en sentido contra horario
Paso 2. Levántelo.

Paso 3. Levante el filtro principal.

NOTA: Si sigue los pasos del 1 al 3, retirará el sistema de filtración; si sigue los pasos del 3 al 1, instalará el sistema de filtración.

- Cada vez que use el lavavajillas, inspeccione los filtros para determinar si hay obstrucciones.
- Desenroscando el filtro grueso puede retirar el sistema del filtro. Retire los restos de comida y limpie los filtros debajo de la canilla.
- Debe limpiar todo el conjunto de filtración una vez a la semana.

LIMPIEZA DEL FILTRO

Para limpiar el filtro grueso y el filtro fino, use un cepillo. Vuelva a armar el filtro y vuelva a colocarlo en el lavavajillas situándolo en la ubicación adecuada y presionando hacia abajo.

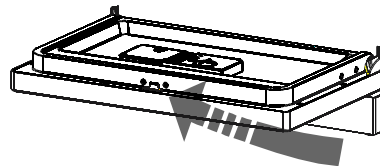
⚠ ADVERTENCIA

Cuando limpie los filtros, manéjelos con cuidado. De otro modo, los filtros podrían dañarse y el rendimiento del lavavajillas podría disminuir.

CUIDADO DEL LAVAVAJILLAS

El panel de control puede limpiarse usando un trapo ligeramente húmedo y secándolo bien luego. Para el exterior use un limpiador de buena calidad que sea adecuado para el lavavajillas. Nunca use objetos filosos, esponjillas o limpiadores fuertes en ninguna parte del lavavajillas.

LA LIMPIEZA DE LA PUERTA



Para limpiar el borde alrededor de la puerta, use únicamente un trapo suave humedecido en agua. Para evitar que entre agua en la traba de la puerta y los componentes eléctricos, no use limpiadores en aerosol de ningún tipo.

⚠ ADVERTENCIA

- Nunca use un limpiador en aerosol para limpiar el panel de la puerta porque puede dañar la traba de la puerta y los componentes eléctricos.
- No debe usar agentes abrasivos ni algunos tipos de toallas de papel ya que corre el riesgo de rayar o dejar marcas en la superficie de acero inoxidable.



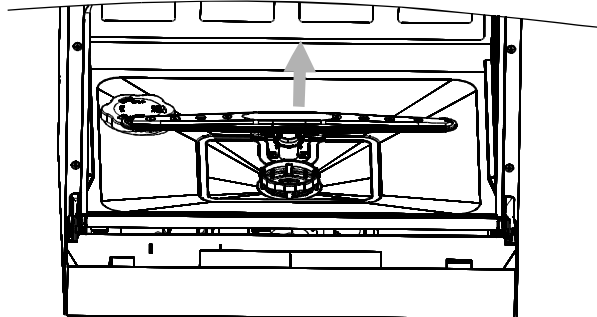
Cuidado y mantenimiento

CUIDADO DEL LAVAVAJILLAS

LIMPIEZA DE LOS BRAZOS ASPERSORES

Los brazos rociadores pueden sacarse fácilmente para limpiar periódicamente las boquillas y evitar posibles obstrucciones. Lávelos debajo de la canilla y vuélvalos a colocar en la posición correcta, revisando que su movimiento giratorio no sea obstruido en modo alguno.

Agarre el brazo rociador por el centro y tire de él hacia arriba para sacarlo. Lave los brazos bajo un chorro de agua, asegúrese de que los agujeros han sido limpiados de cualquier residuo, y vuelva a colocarlos con cuidado en su posición. Después de volver a instalarlos, revise que los brazos giren libremente.



CÓMO MANTENER LA LAVAVAJILLAS

- **Luego de cada lavado**

Cierre la entrada de agua a la unidad y deje la puerta levemente abierta para que no junte humedad y olor.

- **Desenchufe la unidad**

Antes de limpiarla o hacerle mantenimiento, siempre desenchufe la unidad.

- **No use solventes o limpiadores abrasivos**

Para limpiar el exterior y las partes de goma del lavavajillas, no use solventes o limpiadores abrasivos. Use únicamente un trapo humedecido en agua tibia jabonosa. Para quitar manchas de la superficie interior, use un trapo humedecido en agua y un poquito de vinagre blanco, o un producto limpiador especial para lavavajillas.

- **Cuando no esté usando la unidad**

Se recomienda que ejecute un ciclo de lavado con el lavavajillas vacío y luego desconecte el enchufe, corte el suministro de agua y deje ligeramente abierta la puerta del lavavajillas. Esto hará que los burlletes de la puerta duren más y evitará que acumule mal olor.

- **Burlletes**

Uno de los motivos que origina olores en el lavavajillas es los restos de comida atrapados en los burlletes. La limpieza periódica con una esponja los evitará.

Códigos de error:

El indicador 'la velocidad del ciclo' luz parpadea: El grifo de agua no es tal vez completamente abierta, la toma de agua está bloqueado o la presión del agua es demasiado baja.

El indicador luminoso parpadea 'cristal redondo': Puede producirse una fuga en alguna parte del dispositivo. Cierre el suministro de agua y llamar al servicio.



Solucion sugerida

A menudo, los problemas son sencillos y no es necesario hacer una llamada de reparación, use esta guía de resolución de problemas para encontrar una posible solución. Si la unidad sigue funcionando mal, llame a los números gratuitos **1-800-263-2629** de un centro Danby de servicio autorizado.

PROBLEMA	POSSIBLE CAUSA	SOLUCIÓN SUGERIDA
El lavavajillas no funciona	<ul style="list-style-type: none"> • Fusible quemado o llave general abierta. • La alimentación no está encendida. • Baja presión de agua 	<ul style="list-style-type: none"> • Reemplace el fusible o encienda la llave general. • Asegúrese de que el lavavajillas esté encendido y que la puerta esté cerrada. Conecte bien el cable. • Verifique que la entrada de agua esté conectada y la llave de paso abierta.
Ruido	<ul style="list-style-type: none"> • Algo de ruido es normal. • Los utensilios no están bien colocados en el canasto/algo pequeño ha caído en el canasto. • Zumbido del motor. 	<ul style="list-style-type: none"> • Sonido del triturado de comida blanda y de la abertura del recipiente del detergente. • Verifique que todo esté bien dentro del lavavajillas. • Si no lo usa muy seguido, el lavavajillas puede emitir un zumbido. Recuerde llenarlo de agua y vaciarlo una vez por semana para mantener lubricado el burlete.
Espuma en la cuba	<ul style="list-style-type: none"> • Detergente incorrecto. • El exceso de jabón • Derrame de agente de enjuague. 	<ul style="list-style-type: none"> • Use únicamente detergente especial para lavavajillas para evitar la espuma. Si se produce espuma, abra el lavavajillas y deje que la espuma se evapore. • Siempre limpie los derrames de agente de enjuague inmediatamente.
Los platos no están secos	<ul style="list-style-type: none"> • El surtidor de agente de enjuague está vacío. 	<ul style="list-style-type: none"> • Verifique que el surtidor de agente de enjuague esté lleno.
Platos y vajilla plana sucia (manchas, película)	<ul style="list-style-type: none"> • Programa incorrecto seleccionado/ejecutándose. • Abrillantador está vacío • Colocación incorrecta en las bandejas. • Agua sumamente dura. • El surtidor de agente de enjuague está vacío 	<ul style="list-style-type: none"> • Seleccione un programa más intenso. • Verifique que el surtidor de detergente y los brazos rociadores no estén bloqueado por vajilla grande. • Saque todos los utensilios de metal del lavavajillas. • Verifique que el surtidor de agente de enjuague esté lleno.
Queda detergente en el surtidor	<ul style="list-style-type: none"> • Los platos impiden que se abra el surtidor • El nivel del agua es bajo. • No hay suficiente agua 	<ul style="list-style-type: none"> • Vuelva a colocar la vajilla correctamente. • Asegúrese que la unidad esta llenando apropiadamente. • Compruebe el suministro de agua
Queda agua en el fondo de la cuba	<ul style="list-style-type: none"> • Esto es normal. 	<ul style="list-style-type: none"> • Una pequeña cantidad de agua limpia cerca de la salida en el botón de la cuba en su parte posterior mantiene lubricadas las juntas.
El agua no sale de la cuba	<ul style="list-style-type: none"> • Drenaje tapado. • El tubo está plegado • Motor de la bomba defectuoso. 	<ul style="list-style-type: none"> • Verifique que la piletta de la cocina drene correctamente. Si el lavavajillas drena en un triturador, límpielo. • Haga que sea revisado por un técnico calificado.
Pérdidas/vapor en el lavavajillas	<ul style="list-style-type: none"> • El surtidor de agente de enjuague se llenó demasiado o pierde. • El lavavajillas está desnivelado. • El vapor es normal. 	<ul style="list-style-type: none"> • Tenga cuidado en no llenar de más el surtidor de agente de enjuague. El derrame de agente de enjuague puede producir espuma y desbordes. Limpie los derrames con un trapo húmedo. • Asegúrese de que esté nivelado. • Es normal que salga vapor por la ranura de ventilación junto a la traba de la puerta durante el secado y el desagüe

GARANTÍA LIMITADA PARA ELECTRODOMÉSTICOS

Este producto de calidad está garantizado contra defectos de fabricación, incluyendo partes y mano de obra, siempre y cuando la unidad se utilice bajo las condiciones normales de funcionamiento para las que fue diseñado.

Esta garantía está solamente disponible para la persona que haya comprado originalmente esta unidad directamente de DanbyProducts Limited (Canada) o Danby Products Inc. (U.S.A.) (en adelante "Danby") o uno de sus distribuidores autorizados, y no es transferible.

CONDICIONES DE LA GARANTÍA

Las piezas plásticas, se autorizan por treinta (30) días solamente a partir de la fecha de la compra, sin las extensiones proporcionadas.

Primeros 12 meses Durante los primeros 12 meses, cualquier parte en buen estado de este producto que resulte defectuosa, será reparado o reemplazado, a del fabricante, sin cargo para el comprador ORIGINAL.

Para obtener servicio El cliente será responsable por transportar dicho artefacto hasta el Taller de Servicio Autorizado mas cercano. Comuníquese con el distribuidor donde haya comprado la unidad, o llame al Taller de Servicio Autorizado más cercano, donde debe ser reparada por un técnico calificado. Si esta unidad es reparada en otro lugar que no sea un Taller de Servicio Autorizado, o si la unidad se utiliza para aplicaciones comerciales, Danby no se hará responsable de ninguna forma y la garantía será nulo.

Nada de lo indicado en esta garantía debe implicar que Danby se hará responsable por el deterioro de los alimentos o el daño a otros componentes de este electrodoméstico, ya sea debido a defectos del aparato, o al uso que se le dé, sea éste adecuado o inadecuado.

EXCLUSIONES

Salvo lo aquí indicado por Danby, no existen otras garantías, condiciones o representaciones, explícitas o implícitas, concretas o intencionales por parte de Danby o sus distribuidores autorizados y todas las demás garantías, condiciones o representaciones, incluyendo cualquier garantía, condiciones o representaciones bajo cualquier Acta de Venta de Productos o legislación o estatuto similar, quedan de esta forma expresamente excluidas. Salvo lo aquí indicado, Danby no serán responsables por ningún daño a personas o bienes, incluyendo la propia unidad, sin importar su causa, o de ningún daño indirecto causado por el desperfecto de la unidad, y al comprar esta unidad, el comprador acepta por la presente, indemnizar y proteger a Danby contra cualquier reclamo por daños a personas o bienes causados por la unidad.

CONDICIONES GENERALES

No se considerará ninguna de estas garantías o seguros cuando el daño o la necesidad de reparación sea el producto de los siguientes casos:

- 1) Falla del suministro eléctrico.
- 2) Daños en tránsito o durante el transporte de la unidad.
- 3) Alimentación incorrecta, como bajo voltaje, instalación eléctrica defectuosa o fusibles inadecuados.
- 4) Accidente, modificación, abuso o uso incorrecto del artefacto, tal como insuficiente ventilación del ambiente o condiciones de operación anormales (temperatura ambiente extremadamente alta o baja).
- 5) Utilización comercial o industrial (v.g., si el electrodoméstico no está instalado en una vivienda particular).
- 6) Incendio, daños por agua, robo, guerra, disturbios, hostilidades, actos de fuerza mayor como huracanes, inundaciones, etc.
- 7) Pedidos de servicio debido a desinformación del usuario.
- 8) Instalación inadecuada (v.g., instalación empotrada de un electrodoméstico diseñado como unidad independiente o uso de un electrodoméstico al aire libre que no esté aprobado para dicho fin).

Para acceder a la garantía se solicitará un comprobante de compra; por lo tanto, guarde su recibo. En caso de necesitar servicio de garantía, presente ese documento al TALLER DE SERVICIO AUTORIZADO.

Servicio de Garantía
Garantía para Llevar a Taller de Servicio

Danby Products Limited
PO Box 1778, Guelph, Ontario, Canada N1H 6Z9
Telephone: (519) 837-0920 FAX: (519) 837-0449

1-800-263-2629
07/13

Danby Products Inc.
PO Box 669, Findlay, Ohio, U.S.A. 45840
Telephone: (419) 425-8627 FAX: (419) 425-8629



DISHWASHER

All repair parts are available for purchase or special order when you visit your nearest service depot. To request service and/or the location of the service depot nearest you, call the TOLL FREE number.

When requesting service or ordering parts, always provide the following information:

- Product Type
- Model Number
- Part Number
- Part Description

LAVAPLATOS

Todas las piezas de reparación disponibles para la compra o la orden especial cuando usted visita su depósito más cercano del servicio. Para pedir servicio y/o la localización del depósito del servicio lo más cerca posible usted, llame Danby gratis.

Al pedir servicio o pidiendo piezas, proporcione siempre la información siguiente:

- Tipo de producto
- Número de modelo
- Número de pieza
- Descripción de la parte

LAVE-VAISSELLE

Toutes les pièces de rechange ou commandes spéciales sont disponibles à votre centre de service régional autorisé. Pour obtenir le service et/ou la localité de votre centre de service régional, signalez le NUMÉRO D'APPEL SANS FRAIS.

Ayez les renseignements suivants à la portée de la main lors de la commande de pièce ou service:

- Type de produit
- Numéro de modèle
- Numéro de pièce
- Description de la pièce



MODEL • MODÈLE • MODELO
DDW621WDB