

<b>UPRIGHT FREEZER</b> Owner's Manual.....	<b>1 - 7</b>
<b>CONGÉLATEUR VERTICAL</b> Manuel du propriétaire.....	<b>8 - 14</b>
<b>CONGELADOR VERTICAL</b> Manual del propietario.....	<b>15 - 21</b>

<b>MODEL • MODÈLE • MODELO</b>
DUFM043A2WDD
DUFM043A2WDD-3

# Welcome

Welcome to the Danby family. We are proud of our quality products and we believe in dependable service. We suggest that you read this owner's manual before plugging in your new appliance as it contains important operation information, safety information, troubleshooting and maintenance tips to ensure the reliability and longevity of your appliance.

Visit [www.Danby.com](http://www.Danby.com) to access self service tools, FAQs and much more. For additional assistance call **1-800-263-2629**.

**Note the information below; you will need this information to obtain service under warranty.**

**You must provide the original purchase receipt to validate your warranty and receive service.**

**Model Number:** \_\_\_\_\_

**Serial Number:** \_\_\_\_\_

**Date of Purchase:** \_\_\_\_\_

## Need Help?

Before you call for service, here are a few things you can do to help us serve you better.

**Read this owner's manual:**

It contains instructions to help you use and maintain your appliance properly.

**If you receive a damaged appliance:**

Immediately contact the retailer or builder that sold you the appliance.

**Save time and money:**

Check the troubleshooting section at the end of this manual before calling. This section will help you solve common problems that may occur.



1-800-26- Danby  
(1-800-263-2629)



## Important Safety Information

### READ AND FOLLOW ALL SAFETY INSTRUCTIONS

#### SAFETY REQUIREMENTS

**DANGER:** Risk of fire or explosion. Flammable refrigerant used. Do not puncture refrigerant tubing.

- Do not use mechanical devices to defrost refrigerator.
- Ensure that servicing is done by factory authorized service personnel, to minimize product damage or safety issues.

**WARNING:** Keep ventilation openings, in the appliance enclosure or in the built-in structure, clear of obstruction.

**WARNING:** Do not use mechanical devices or other means to accelerate the defrosting process, other than those recommended by the manufacturer.

**WARNING:** Do not damage the refrigerant circuit.

**WARNING:** Do not use electrical appliances inside the food storage compartments of the appliance, unless they are of the type recommended by the manufacturer.

**CAUTION:** Risk of fire or explosion. Flammable refrigerant used.

- Consult repair manual or owner's guide before attempting to service this product. All safety precautions must be followed.
- Dispose of properly in accordance with federal or local regulations.
- Follow handling instructions carefully.

**CAUTION:** Children should be supervised to ensure that they do not play with the appliance.

**DANGER:** Risk of child entrapment. Before throwing away an old appliance:

- Remove the door or lid.
- Leave shelves in place so that children may not easily climb inside.

#### SAFETY REQUIREMENTS

This appliance is not intended for use by persons (including children) whose physical, sensory or mental capabilities may be different or reduced, or who lack experience or knowledge, unless such persons receive supervision or training to operate the appliance by a person responsible for their safety.

#### GROUNDING INSTRUCTIONS

This appliance must be grounded. Grounding reduces the risk of electrical shock by providing an escape wire for the electrical current.

This appliance has a cord that has a grounding wire with a 3-prong plug. The power cord must be plugged into an outlet that is properly grounded. If the outlet is a 2-prong wall outlet, it must be replaced with a properly grounded 3-prong wall outlet. The serial rating plate indicates the voltage and frequency the appliance is designed for.

**WARNING** - Improper use of the grounding plug can result in a risk of electric shock. Consult a qualified electrician or service agent if the grounding instructions are not completely understood, or if doubt exists as to whether the appliance is properly grounded.

**Do not connect your appliance to extension cords or together with another appliance in the same wall outlet.** Do not splice the power cord. Do not under any circumstances cut or remove the third ground prong from the power cord. Do not use extension cords or ungrounded (two prongs) adapters.

If the power supply cord is damaged, it must be replaced by the manufacturer, its service agent or similar qualified person in order to avoid hazard.

**SAVE THESE INSTRUCTIONS!**

## INSTALLATION INSTRUCTIONS

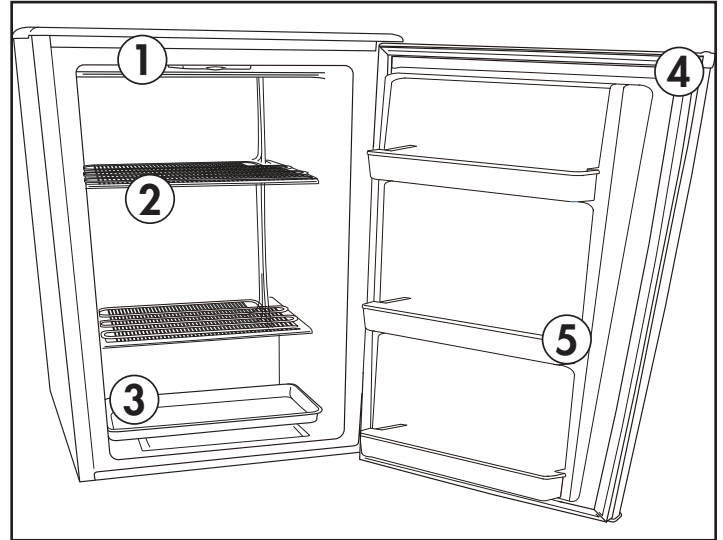
### LOCATION

- Two people should be used when moving the appliance.
- Remove interior and exterior packaging prior to installation. Wipe the outside of the appliance with a soft, dry cloth and the inside with a lukewarm wet cloth.
- Place the appliance on a floor that is strong enough to support it when it is fully loaded.
- Do not place the appliance in direct sunlight or near sources of heat, such as a stove or heater, as this can increase electrical consumption. Extreme cold ambient temperatures may also cause the appliance to perform improperly.
- Do not use the appliance near water, for example, in a wet basement or near a sink.
- This appliance is intended for indoor household use only. It is not designed for outside installation, including anywhere that is not temperature controlled (garages, porches, vehicles, etc.).
- Before connecting the appliance to a power source, let it stand upright for approximately 6 hours. This will reduce the possibility of a malfunction in the cooling system from handling during transportation.
- This appliance is 60.8 cm (23.9 inches) wide by 92.8 cm (36.5 inches) high by 63.2 cm (24.9 inches) deep. Make sure that you leave the minimum amount of space between the appliance and all surrounding walls and vents.
- Allow 12.7 cm (5 inches) of space between the back, sides and top of the appliance and all adjacent walls.
- This appliance is intended for free-standing installation only and is not intended to be built into a cabinet or counter. Building in this appliance can cause it to malfunction.

## OPERATING INSTRUCTIONS

### FEATURES

1. Thermostat Dial
2. Freezer Shelves
3. Drip Tray
4. Magnetic Gasket
5. Door Bins



### IMPORTANT NOTE

The freezer door may be difficult to open immediately after closing it. This is normal and is due to the pressure difference between the cold interior of the freezer and the warm air that has just entered the freezer when the door was opened. The pressure will equalize within a few minutes.

If the door is especially difficult to open, wait 5 minutes to allow the pressure to equalize and then try again.

## OPERATING INSTRUCTIONS

### TEMPERATURE SELECTION

The temperature of the appliance can be adjusted by turning the thermostat dial on the inner ceiling of the appliance.

- Lower numbers on the thermostat dial indicate warmer temperatures.
- Higher numbers on the thermostat dial indicate colder temperatures.
- The temperature range of the appliance is approximately  $-12^{\circ}\text{C}$  ( $10.4^{\circ}\text{F}$ ) to  $-24^{\circ}\text{C}$  ( $-11.2^{\circ}\text{F}$ ).
- The temperature inside the appliance can vary based on ambient room temperature, the frequency that the door is opened and the amount of fresh food that has recently been added to the unit.
- To stop the cooling function, turn the control knob to the "0" position.

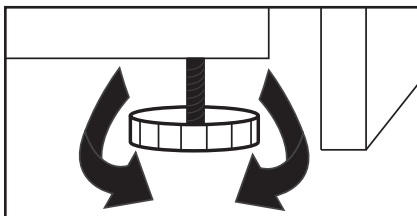
### Tips when storing fresh food

- The freezing capacity of this appliance is approximately 8 Kg (17 Lbs.) in 24 hours.
- Do not overload the appliance as this can affect performance.
- Do not freeze large quantities of fresh food at the same time.

### LEVELING INSTRUCTIONS

There are two adjustable legs on the bottom of the appliance that can be turned up or down to ensure that the appliance is level.

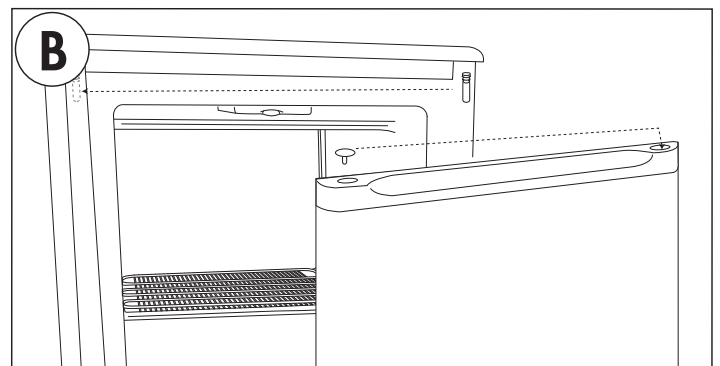
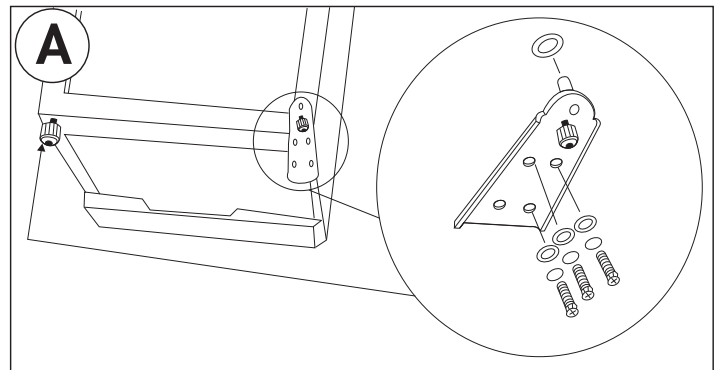
1. Turn the leveling leg counter-clockwise as far as it will go, until the top of the foot is touching the bottom of the chassis.
2. Slowly turn the leveling leg clockwise until the appliance is level.



### DOOR REVERSAL INSTRUCTIONS

If the appliance is placed on its back or side for any length of time during this process, it must be allowed to remain upright for 6 hours before plugging it in to avoid damage to the internal components.

1. Remove both leveling legs located at the front of the cabinet. See figure A.
2. Remove the screws holding the lower hinge assembly to the cabinet. See figure A.
3. Remove the door from the cabinet by pulling forward slightly and then pulling downward.
4. Using a flat head screwdriver, remove the upper hinge pin from the worktop and install it on the opposite side of the cabinet. See figure B.
5. Remove the hole plug from the top left side of the door and the bushing from the top right side of the door and swap their positions. Do the same with the hole plug and bushing on the bottom of the door. See figure B.
6. Install the door on the cabinet. Ensure that the top of the door is level with the top of the cabinet and that the rubber gasket makes a good seal with the cabinet all the way around.
7. Install the lower hinge assembly on the opposite side and then install both leveling legs.



## CARE & MAINTENANCE

### CLEANING

Ensure the appliance is unplugged before cleaning.

- To clean the inside of the appliance, use a soft cloth and a solution of a tablespoon of baking soda to one quart of water or a mild soap solution or some mild detergent.
- Clean the outside with a soft, damp cloth and some mild detergent.
- It is important to keep the area where the door seals against the cabinet clean to ensure a tight seal. Clean this area with a soapy cloth. Rinse with a damp cloth and let dry.

**Note:** Do not use cleaners containing ammonia or alcohol on the appliance. Ammonia or alcohol can damage the appearance of the appliance. Never use any commercial or abrasive cleaners or sharp objects on any part of the appliance.

### DEFROSTING

This appliance should be defrosted approximately twice a year or when a 6 mm (1/4 inch) layer of frost has formed.

1. Turn the thermostat dial to the "0" position and unplug the power cord.
2. Remove all contents and leave the door open.
3. As the frost melts, water will collect in the drip tray in the bottom of the appliance.
4. Check the appliance frequently while defrosting to ensure that water does not leak and cause damage to flooring.
5. The drip tray can be removed and emptied as necessary.
6. When all frost has melted, wipe the interior of the appliance with a towel or sponge to ensure it is completely dry before resuming operation.
7. Plug the appliance in, turn the thermostat dial to the desired setting and replace all contents once the appliance has reached the desired temperature.

**Important:** Do not use pointed or sharp objects to remove frost as this can damage the refrigerant lines. If these lines are accidentally pierced it will render the freezer inoperable and will void the manufacturer's warranty.

### POWER FAILURE

Most power failures are corrected within a few hours and should not affect the temperature of your appliance if you minimize the number of times the door is opened. If the power is going to be off for a longer period of time, take the proper steps to protect your contents.

**Note:** Wait 3 to 5 minutes before attempting to restart the refrigerator if operation has been interrupted.

### VACATION

- **Short vacations:** Leave the appliance operating during vacations of less than three weeks.
- **Long vacations:** If the appliance will not be used for several months, remove all items and turn off the appliance. Defrost, clean and dry the interior thoroughly. To prevent odor and mold growth, leave the door open slightly, blocking it open if necessary.

### MOVING

- Remove all items.
- Tape the door shut.
- Be sure the appliance stays secure in the upright position during transportation. Also protect the outside of the appliance with a blanket or similar item.
- If the appliance is placed on its back or side during transportation, upon reaching the destination, allow it to remain in its operating position for 6 hours to avoid damage to internal components.

### DISPOSAL

This appliance may not be treated as regular household waste, it should be taken to the appropriate waste collection point for recycling of electrical components. For information on local waste collection points, contact your local waste removal agency or government office. Disposal of this appliance should be in accordance with federal and local regulations.

## TROUBLESHOOTING

**Danby Consumer Care: 1-800-263-2629**

**Hours of operation:**

Monday to Thursday 8:30 am - 6:00 pm Eastern Standard Time

Friday 8:30 am - 4:00 pm Eastern Standard Time

Information in this manual is subject to change without notice.

PROBLEM	POSSIBLE CAUSE
<b>No power</b>	<ul style="list-style-type: none"><li>• A fuse may be blown or the circuit breaker tripped</li><li>• Plug not fully inserted into the wall outlet</li></ul>
<b>Internal temperature not cold enough</b>	<ul style="list-style-type: none"><li>• Temperature setting is too warm</li><li>• The door is not shut properly or opened excessively</li><li>• Recently added a large quantity of warm food to the cabinet</li><li>• Close proximity to heat source or direct sunlight</li><li>• Ambient temperature or humidity is very high</li></ul>
<b>Appliance runs continuously</b>	<ul style="list-style-type: none"><li>• Temperature setting is too cold</li><li>• The door is not shut properly or opened excessively</li><li>• Recently added a large quantity of warm food to the cabinet</li><li>• Close proximity to heat source or direct sunlight</li><li>• Ambient temperature or humidity is very high</li></ul>



## LIMITED "IN HOME" WARRANTY

This quality product is warranted to be free from manufacturer's defects in material and workmanship, provided that the unit is used under the normal operating conditions intended by the manufacturer.

This warranty is available only to the person to whom the unit was originally sold by Danby Products Limited (Canada) or Danby Products Inc. (U.S.A.) (hereafter "Danby") or by an authorized distributor of Danby, and is non-transferable.

### TERMS OF WARRANTY

Plastic parts are warranted for thirty (30) days from the date of purchase, with no extensions provided.

**First 5 years** During the first **five (5) years**, any functional parts of this product found to be defective, will be repaired or replaced, at warrantor's option, at no charge to the original purchaser.

**To obtain service** Contact the dealer where the unit was purchased, or contact the nearest authorized Danby service depot, where service must be performed by a qualified service technician. If service is performed on the unit by anyone other than an authorized service depot, all obligations of Danby under this warranty shall be void.

**Boundaries of in-home service** Danby reserves the right to limit the boundaries of "In Home Service" to the proximity of an authorized service depot. Any appliance requiring service outside the limited boundaries of "In Home Service", will be the consumer's responsibility to transport at their own expense to the original point of purchase or a service depot for repair. If the appliance is installed in a location that is **100 kilometers (62 miles)** or more from the nearest service center, it must be delivered to the nearest authorized Danby Service Depot by the purchaser.

Transportation charges to and from the service location are not protected by this warranty and are the responsibility of the purchaser.

Nothing within this warranty shall imply that Danby will be responsible or liable for any spoilage or damage to food or other contents of this appliance, whether due to any defect of the appliance, or its use, whether proper or improper.

### EXCLUSIONS

Save as herein provided, by Danby, there are no other warranties, conditions, representations or guarantees, express or implied, made or intended by Danby or its authorized distributors and all other warranties, conditions, representations or guarantees, including any warranties, conditions, representations or guarantees under any Sale of Goods Act or like legislation or statute is hereby expressly excluded. Save as herein provided, **Danby shall not be responsible for any damages to persons or property, including the unit itself, howsoever caused or any consequential damages arising from the malfunction of the unit and by the purchase of the unit, the purchaser does hereby agree to indemnify and hold harmless Danby from any claim for damages to persons or property caused by the unit.**

### GENERAL PROVISIONS

No warranty or insurance herein contained or set out shall apply when damage or repair is caused by any of the following:

- 1) Power failure.
- 2) Damage in transit or when moving the appliance.
- 3) Improper power supply such as low voltage, defective house wiring or inadequate fuses.
- 4) Accident, alteration, abuse or misuse of the appliance such as inadequate air circulation in the room or abnormal operating conditions (ie. extremely high or low room temperature).
- 5) Use for commercial or industrial purposes (ie. If the appliance is not installed in a domestic residence).
- 6) Fire, water damage, theft, war, riot, hostility, acts of God such as hurricanes, floods etc.
- 7) Service calls resulting in customer education.
- 8) Improper Installation (ie. Building-in of a free standing appliance or using an appliance outdoors that is not approved for outdoor application, including but not limited to: garages, patios, porches or anywhere that is not properly insulated or climate controlled).

Proof of purchase date will be required for warranty claims; retain bills of sale. In the event that warranty service is required, present the proof of purchase to our authorized service depot.

**Warranty Service  
In Home**

Danby Products Limited  
PO Box 1778, Guelph, Ontario, Canada N1H 6Z9  
Telephone: (519) 837-0920 FAX: (519) 837-0449

**1-800-263-2629**  
08/17

Danby Products Inc.  
PO Box 669, Findlay, Ohio, U.S.A. 45840  
Telephone: (419) 425-8627 FAX: (419) 425-8629



# Bienvenue

Bienvenue à la famille Danby. Nous sommes fiers de la qualité de nos produits et nous croyons en le service fiable. Nous vous suggérons de lire ce manuel d'utilisation avant de brancher votre nouvel appareil car il contient des informations importantes sur l'utilisation, la sécurité, le dépannage et la maintenance, afin d'assurer la fiabilité et la longévité de votre appareil.

Visitez [www.Danby.com](http://www.Danby.com) pour accéder aux outils d'autoservice, aux FAQ et bien plus encore. Pour obtenir de l'aide supplémentaire, composez **1-800-263-2629**.

**Notez les informations ci-dessous; Vous aurez besoin de cette information pour obtenir un service sous garantie.**

**Vous devez fournir le reçu d'achat original pour valider votre garantie et recevoir le service.**

**Numéro de modèle:** \_\_\_\_\_

**Numéro de serie:** \_\_\_\_\_

**Date d'achat:** \_\_\_\_\_

## Besoin d'assistance?

Avant d'appeler pour service, voici quelques choses que vous pouvez faire pour nous aider à mieux vous servir.

### **Lire ce manuel du propriétaire:**

Il contient des instructions pour vous aider à utiliser et à maintenir votre appareil correctement.

### **Si vous recevez un appareil endommagé:**

Contactez immédiatement le revendeur ou l'entrepreneur qui vous a vendu l'appareil.

### **Gagnez du temps et de l'argent:**

Avant d'appeler pour service, consultez la section de dépannage à la fin de ce manuel. Cette section vous aidera à résoudre les problèmes courants pouvant survenir.



1-800-26- Danby  
(1-800-263-2629)



## Consignes de sécurité importantes

### LIRE ET SUIVRE TOUTES LES INSTRUCTIONS DE SÉCURITÉ

#### EXIGENCES DE SÉCURITÉ

**DANGER:** Risque d'incendie ou d'explosion. Liquide frigorigène inflammable utilisé. Ne pas creuser les tubes de réfrigérant.

- N'utilisez pas de dispositifs mécaniques pour dégivrer le réfrigérateur.
- Assurez-vous que l'entretien est effectué par le personnel de service autorisé en usine, afin de minimiser les dommages sur les produits ou les questions de sécurité.

**AVERTISSEMENT:** Garder les ouvertures de ventilation, dans l'enceinte de l'appareil ou dans la structure intégrée, sans obstruction.

**AVERTISSEMENT:** N'utilisez pas de dispositifs mécaniques ou d'autres moyens pour accélérer le processus de dégivrage, autres que ceux recommandés par le fabricant.

**AVERTISSEMENT:** Ne pas endommager le circuit de réfrigérant.

**AVERTISSEMENT:** N'utilisez pas d'appareils électriques à l'intérieur des compartiments de stockage d'aliments de l'appareil, à moins qu'ils ne soient du type recommandé par le fabricant.

**ATTENTION:** Risque d'incendie ou d'explosion. Liquide frigorigène inflammable utilisé.

- Consultez le manuel de réparation ou le guide du propriétaire avant d'essayer de réparer ce produit. Toutes les précautions de sécurité doivent être respectées.
- Éliminer correctement conformément aux règlements fédéraux ou locaux.
- Suivez attentivement les instructions de maintenance.

**ATTENTION:** Les enfants devraient être surveillés pour s'assurer qu'ils ne jouent pas avec l'appareil.

**DANGER:** Risque de piégeage des enfants. Avant de jeter un ancien appareil:

- Retirez la porte ou le couvercle.
- Laissez les étagères en place afin que les enfants ne puissent pas facilement monter à l'intérieur.

#### EXIGENCES DE SÉCURITÉ

Cet appareil n'est pas destiné à être utilisé par des personnes (y compris des enfants) dont les capacités physiques, sensorielles ou mentales peuvent être différentes ou réduites, ou qui n'ont pas d'expérience ou de connaissances, à moins que ces personnes ne reçoivent de supervision ou de formation pour faire fonctionner l'appareil par une personne responsable de leur sécurité.

#### INSTRUCTIONS DE MISE À LA TERRE

Cet appareil doit être mis à la terre. La mise à la terre réduit le risque de choc électrique en fournissant un fil d'échappement pour le courant électrique.

Cet appareil possède un cordon doté d'un fil de mise à la terre avec une fiche à 3 broches. Le cordon d'alimentation doit être branché sur une prise correctement mise à la terre. Si la sortie est une prise murale à 2 broches, elle doit être remplacée par une prise murale à 3 broches correctement mise à la terre. La plaque signalétique en série indique la tension et la fréquence auxquelles l'appareil est conçu.

**AVERTISSEMENT** - Une utilisation incorrecte de la fiche de mise à la terre peut entraîner un risque d'électrocution. Consultez un électricien qualifié ou un agent de service si les instructions de mise à la terre ne sont pas complètement comprises ou s'il existe un doute quant à savoir si l'appareil est correctement mis à la terre.

**Ne branchez pas votre appareil à des rallonges ou avec un autre appareil dans la même prise murale.** Ne pas épisser le cordon d'alimentation. Ne coupez ou retirez en aucun cas la troisième broche du cordon d'alimentation. N'utilisez pas de cordons de prolongement ou d'adaptateurs sans mise à la terre (deux broches).

Si le cordon d'alimentation est endommagé, il doit être remplacé par le fabricant, son agent de service ou une personne qualifiée similaire afin d'éviter tout risque.

**GARDEZ CES INSTRUCTIONS!**

## INSTRUCTIONS D'INSTALLATION

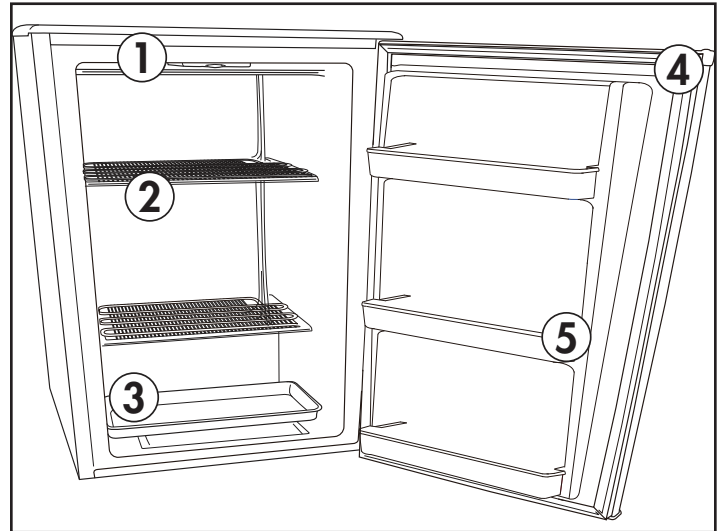
### EMPLACEMENT

- Deux personnes doivent être utilisées pour déplacer l'appareil.
- Retirer l'emballage intérieur et extérieur avant l'installation. Essuyez l'extérieur de l'appareil avec un chiffon doux et sec et à l'intérieur avec un chiffon humide tiède.
- Placez votre appareil sur un plancher qui est assez fort pour le soutenir quand il est complètement chargé.
- Ne placez pas l'appareil directement dans la lumière du soleil ou à proximité de sources de chaleur, comme un poêle ou un réchauffeur, car cela peut augmenter la consommation électrique. Des températures ambiantes extrêmes et froides peuvent également provoquer un dysfonctionnement de l'appareil.
- Ne pas utiliser ce produit près de l'eau, par exemple, dans un sous-sol humide ou près d'un évier.
- Cet appareil est destiné à un usage domestique seulement. Cette unité n'est pas conçue pour une installation extérieure, y compris une installation où la température n'est pas contrôlée (garages, porches, carports, etc.).
- Avant de brancher l'appareil à une source d'alimentation, laissez-le debout pendant environ 6 heures; Ceci réduira la possibilité d'un dysfonctionnement dans le système de refroidissement de la manipulation pendant le transport.
- Cet appareil est 60,8 cm (23,9 pouces) de large par 92,8 cm (36,5 pouces) de haut par 63,2 cm (24,9 pouces) de profondeur; assurez-vous de laisser le dégagement minimum d'entre l'appareil et tous les murs environnants et les ouvertures.
- Laissez 12,7 cm (5 pouces) d'espace entre le dos, les côtés et le dessus de l'appareil et les parois adjacentes.
- Cet appareil est destiné uniquement à une installation autonome et ne doit pas être intégré dans une armoire ou un compteur. La construction de cet appareil peut provoquer un dysfonctionnement.

## CONSIGNES D'UTILISATION

### CARACTÉRISTIQUES

1. Cadran du thermostat
2. Étagères à congélateur
3. Bac d'égouttement
4. Joint magnétique
5. Bacs à la porte



### REMARQUE IMPORTANTE

Le porte du congélateur peut être difficile à ouvrir immédiatement après la fermeture. Ceci est normal et est dû à la différence de pression entre l'intérieur froid du congélateur et l'air chaud qui vient d'entrer dans le congélateur lorsque le porte a été ouvert. La pression sera égalisée en quelques minutes.

Si le porte est particulièrement difficile à ouvrir, attendez 5 minutes pour permettre à la pression d'égaliser puis réessayez.

## CONSIGNES D'UTILISATION

### SÉLECTION DE LA TEMPÉRATURE

La température de l'appareil peut être réglée en tournant la cadran du thermostat sur le plafond intérieur de l'appareil.

- Les nombres plus bas sur le cadran du thermostat indiquent des températures plus chaudes.
- Les nombres plus élevés sur le cadran du thermostat indiquent des températures plus froides.
- La plage de température de l'appareil est d'environ  $-12^{\circ}\text{C}$  ( $10,4^{\circ}\text{F}$ ) à  $-24^{\circ}\text{C}$  ( $-11,2^{\circ}\text{F}$ ).
- La température à l'intérieur de l'appareil peut varier en fonction de la température ambiante, de la fréquence à laquelle la porte est ouvert et de la quantité d'aliments frais récemment ajoutée à l'appareil.
- Pour arrêter la fonction de refroidissement, tournez le bouton de commande sur la position "0".

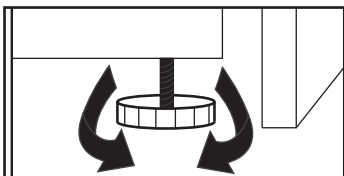
### Conseils pour le stockage des aliments frais

- La capacité de congélation de cet appareil est d'environ 8 Kg (17 lb) en 24 heures.
- Ne pas surcharger l'appareil car cela peut affecter les performances.
- Ne pas congeler de grandes quantités de nourriture fraîche en même temps.

### INSTRUCTIONS DE NIVEAU

Il y a deux pattes réglables sur le bas de l'appareil qui peuvent être montés ou bas pour s'assurer que l'appareil est au niveau.

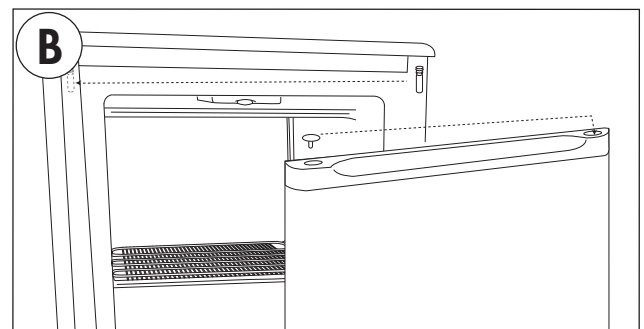
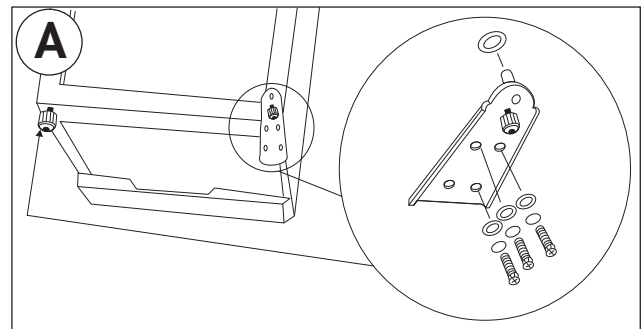
1. Tournez la jambe de nivellement dans le sens inverse des aiguilles d'une montre aussi loin que possible, jusqu'à ce que le haut du pied touche le bas du châssis.
2. Tournez lentement la jambe de nivellement dans le sens des aiguilles d'une montre jusqu'à ce que l'appareil soit à niveau.



### INSTRUCTIONS D'INVERSION DE PORTE

Si l'appareil est placé à l'arrière ou au côté pendant un certain temps pendant ce processus, il doit être autorisé à rester debout pendant 6 heures avant de le brancher pour éviter d'endommager les composants internes.

1. Retirez les deux jambes de nivellement situées à l'avant de l'armoire. Voir figure A.
2. Retirez les vis qui maintiennent l'ensemble de charnière inférieure sur l'armoire. Voir figure A.
3. Retirez la porte de l'armoire en tirant légèrement vers l'avant puis en tirant vers le bas.
4. À l'aide d'un tournevis à tête plate, retirez la goupille de charnière supérieure du plan de travail et installez-la sur le côté opposé de l'armoire. Voir figure B.
5. Retirez le bouchon du haut du côté gauche de la porte et la douille du côté supérieur droit de la porte et échangez les positions. Faites de même avec le bouchon et la douille du trou au bas de la porte. Voir figure B.
6. Installez la porte sur l'armoire. Assurez-vous que le haut de la porte est au niveau du haut de l'armoire et que le joint en caoutchouc fait un bon joint avec l'armoire tout autour.
7. Installez l'ensemble de charnière inférieure sur le côté opposé, puis installez les deux pattes de nivellement.



### NETTOYAGE

Assurez-vous que l'appareil est débranché avant de nettoyer une partie de l'appareil.

- Pour nettoyer l'intérieur de l'appareil, utilisez un chiffon doux et une solution d'une cuillère à soupe de bicarbonate de soude à un quart d'eau ou une solution de savon doux ou un détergent doux.
- Nettoyez l'extérieur avec un chiffon doux et humide et un peu de détergent doux.
- Il est important de garder la région de scellement de la porte sur l'armoire propre. Nettoyez avec un tissu savonneux, rincez la région et puis séchez.

**Remarque:** N'utilisez pas de produits nettoyants comprenant de l'ammoniaque ou de l'alcool sur l'appareil. L'ammoniaque ou l'alcool peuvent altérer le fini de l'appareil. N'utilisez jamais de nettoyant industriels sur aucune partie de votre appareil.

### DÉGIVRAGE

Cet appareil doit être décongelé environ deux fois par an ou lorsqu'une couche de givre de 6 mm (1/4 pouce) s'est formée sur les étagères.

1. Tournez la molette du thermostat sur la position "0" et débranchez le cordon d'alimentation.
2. Retirez tous les contenus et laissez la porte ouverte.
3. Au fur et à mesure que la givre fond, l'eau se rassemblera dans le bac d'égouttage dans le bas de l'appareil.
4. Vérifiez fréquemment l'appareil pendant le dégivrage pour vous assurer que l'eau ne se fasse pas et qu'elle endommage le plancher.
5. Le bac d'égouttage peut être retiré et vidé s'il le faut.
6. Lorsque tout le givre a fondu, essuyez l'intérieur de l'appareil avec une serviette ou une éponge pour vous assurer qu'il est complètement sec avant de reprendre l'opération.
7. Branchez l'appareil, tournez la cadran du thermostat au réglage souhaité et remettez tout son contenu une fois que l'appareil a atteint la température désirée.

**Important:** N'utilisez pas d'objets pointu ou pointu pour enlever le givre car cela pourrait endommager les conduites de réfrigérant. Si ces lignes sont accidentellement percées, cela rend le congélateur inutilisable et annulera la garantie du fabricant.

### PANNE DE COURANT

La plupart des pannes de courant ne durent que quelques heures et ne devraient pas modifier la température de votre l'appareil si vous réduisez au maximum le nombre de fois où la porte est ouverte. Si le courant reste coupé pendant une longue période, il faut prendre des mesures de protection du contenu de l'appareil.

**Remarque:** Attendez 3 à 5 minutes avant d'essayer de redémarrer le réfrigérateur si l'opération a été interrompue.

### VACANCES

- **Courtes vacances:** Laissez le unité fonctionner pendant les vacances durant moins de trois (3) semaines.
- **Longues vacances:** Si l'unité ne doit pas être utilisé pendant plusieurs mois, retirez tout ce qu'il contient et mettez-le hors tension. Nettoyez et asséchez à fond l'intérieur. Pour éviter les odeurs et le développement de moisissures, laissez la porte entrouverte, la coincer au besoin.

### DÉMÉNAGER

- Supprimez tous les éléments.
- Fermez la porte.
- Assurez-vous que l'appareil reste en position verticale pendant le transport. Protégez également l'extérieur de l'appareil avec une couverture ou un objet similaire.
- Si l'appareil est placé sur le dos ou le côté pendant le transport, en arrivant à la destination, lui permettre de rester en position de travail pendant 6 heures pour éviter d'endommager les composants internes.

### ÉLIMINATION DES DÉCHETS

Ce produit ne doit pas être traité comme un déchet domestique ordinaire, il doit être transporté au point de collecte approprié pour le recyclage des composants électriques. Pour obtenir des renseignements sur les points de collecte des déchets locaux, communiquez avec votre agence locale de traitement des déchets ou avec le bureau du gouvernement. L'élimination de cet appareil devrait être conforme aux règlements fédéraux et locaux.

## DÉPANNAGE

**Danby soins du consommateur: 1-800-263-2629**

**Heures d'ouverture:**

Lundi à Jeudi 8 h 30 à 18 h, heure normale de l'Est

Vendredi de 8 h 30 à 16 h, heure normale de l'Est

Les informations contenues dans ce manuel sont sujettes à modification sans préavis.

<b>PROBLÈME</b>	<b>CAUSE POSSIBLE</b>
<b>L'appareil n'est pas alimenté</b>	<ul style="list-style-type: none"><li>• Un fusible de votre panneau de distribution peut être grillé ou le disjoncteur déclenché</li><li>• La fiche n'est pas complètement insérée dans prise murale</li></ul>
<b>La température interne n'est pas assez froide</b>	<ul style="list-style-type: none"><li>• Le réglage de la température est trop chaud</li><li>• La porte n'est pas fermées correctement ou ouverte trop souvent</li><li>• Ajout récemment d'une grande quantité de nourriture chaude au cabinet</li><li>• Proximité de la source de chaleur ou de la lumière directe du soleil</li><li>• La température ambiante ou l'humidité est très élevée</li></ul>
<b>L'appareil fonctionne en continu</b>	<ul style="list-style-type: none"><li>• Le réglage de la température est trop froid</li><li>• La porte n'est pas fermées correctement ou ouverte trop souvent</li><li>• Ajout récemment d'une grande quantité de nourriture chaude au cabinet</li><li>• Proximité de la source de chaleur ou de la lumière directe du soleil</li><li>• La température ambiante ou l'humidité est très élevée</li></ul>



## GARANTIE LIMITÉE "À DOMICILE"

Cet appareil de qualité est garanti exempt de tout vice de matière première et de fabrication, s'il est utilisé dans les conditions normales recommandées par le fabricant.

Cette garantie n'est offerte qu'à l'acheteur initial de l'appareil vendu par Danby Products Limited (Canada) ou Danby Products Inc. (E.-U.A.) (ci-après « Danby ») ou par l'un des ses distributeurs agréés et elle ne peut être transférée.

### CONDITIONS

Les pièces en plastique sont garanties pendant trente (30) jours seulement à partir de la date de l'achat, sans aucune prolongation prévue.

**Premiers 5 ans** Pendant les premiers **cinq (5) ans**, toutes les pièces fonctionnelles de ce produit qui s'avèrent défectueuses seront réparées ou remplacées, selon le choix du garant, sans frais à l'acheteur initial.

**Pour bénéficiaire du service** S'adresser au détaillant qui a vendu l'appareil, ou à la station technique agréée de service la plus proche, où les réparations doivent être effectuées par un technicien qualifié. Si les réparations sont effectuées par quiconque autre que la station de service agréée ou à des fins commerciales, toutes les obligations de Danby en vertu de cette garantie seront annulées.

**Limites de l'entretien à domicile** Danby se réserve le droit de limiter les limites de "Service au domicile" à proximité d'un dépôt de service agréé. Tout appareil nécessitant un service en dehors des limites de "Service à domicile" sera la responsabilité du consommateur de transporter l'appareil à leur propres frais le point d'achat original ou un dépôt de service pour réparation. Si l'appareil est installé à plus de **100 kilomètres (62 milles)** du centre de service le plus proche, il doit être livré à l'atelier de réparation autorisé par Danby le plus proche, car l'entretien doit uniquement être réalisé par un technicien qualifié et certifié pour effectuer un entretien couvert par la garantie de Danby.

Les frais de transport entre votre domicile et le lieu de l'entretien ne sont pas couverts par la présente garantie et doivent être acquittés par l'acheteur.

Aucune partie de la garantie ne prévoit implicitement que le fabricant sera tenu responsable des dommages subis par les aliments ou d'autres types de contenu, qu'ils soient causés par la défectuosité de l'appareil ou par son usage adéquat ou inadéquat.

### EXCLUSIONS

En vertu de la présente, il n'existe aucune autre garantie, condition ou représentation, qu'elle soit exprimée ou tacite, de façon manifeste ou intentionnelle, par Danby ou ses distributeurs agréés. De même, sont exclues toutes les autres garanties, conditions ou représentations, y compris les garanties, conditions ou représentations en vertu de toute loi régissant la vente de produits ou de toute autre législation ou règlement semblables. En vertu de la présente, Danby ne peut être tenue responsable en cas de blessures corporelles ou des dégâts matériels, y compris à l'appareil, quelle qu'en soit la cause. Danby ne peut pas être tenue responsable des dommages indirects dus au fonctionnement défectueux de l'appareil. En achetant l'appareil, l'acheteur accepte de mettre à couvert et de dégager Danby de toute responsabilité en cas de réclamation pour toute blessure corporelle ou tout dégât matériel causé par cet appareil.

### CONDITIONS GÉNÉRALES

La garantie ou assurance ci-dessus ne s'applique pas si les dégâts ou réparations sont dus aux cas suivants:

- 1) Panne de courant.
- 2) Dommages subis pendant le transport ou le déplacement de l'appareil.
- 3) Alimentation électrique incorrecte (tension faible, câblage défectueux, fusibles incorrects).
- 4) Accident, modification, emploi abusif ou incorrect de l'appareil tel qu'une circulation d'air inadéquate dans la pièce ou des conditions de fonctionnement anormales (température extrêmement élevée ou basse).
- 5) Utilisation dans un but commercial ou industriel (à savoir, si l'appareil n'est pas installé dans un domicile résidentiel).
- 6) Incendie, dommages causés par l'eau, vol, guerre, émeute, hostilités, cas de force majeure (ouragan, inondation, etc.).
- 7) Visites d'un technicien pour expliquer le fonctionnement de l'appareil au propriétaire.
- 8) Installation inappropriée (par exemple, encastrement d'un appareil autoportant, ou utilisation extérieure d'un appareil non conçu à cet effet, y compris, mais sans s'y limiter: les garages, les patios, les porches ou ailleurs qui ne sont pas correctement isolés ou climatisés).

La preuve de la date d'achat sera requise pour les réclamations de garantie; Conserver les factures de vente. Dans le cas où un service de garantie est requis, présentez la preuve d'achat à notre dépôt de service agréé.

### Service sous garantie

Service au domicile

Danby Products Limited  
PO Box 1778, Guelph, Ontario, Canada N1H 6Z9  
Téléphone : (519) 837-0920 Télécopieur: (519) 837-0449

1-800-263-2629

08/17

Danby Products Inc.  
PO Box 669, Findlay, Ohio, U.S.A. 45840  
Téléphone: (419) 425-8627 Télécopieur: (419) 425-8629



# Bienvenido

Bienvenido a la familia Danby. Estamos orgullosos de nuestros productos de calidad y creemos en un servicio confiable. Sugerimos que lea este manual del propietario antes de conectar el nuevo aparato ya que contiene información importante sobre la operación, información de seguridad, solución de problemas y consejos de mantenimiento para garantizar la fiabilidad y longevidad de su electrodoméstico.

Visite **www.Danby.com** para acceder a herramientas de autoservicio, preguntas frecuentes y mucho más. Para asistencia adicional, llame al **1-800-263-2629**.

**Tenga en cuenta la información siguiente; Necesitará esta información para obtener un servicio bajo garantía.**

**Debe proporcionar el recibo de compra original para validar su garantía y recibir servicio.**

**Número de modelo:** \_\_\_\_\_

**Número de serie:** \_\_\_\_\_

**Fecha de compra:** \_\_\_\_\_

## Necesitas ayuda?

Antes de llamar al servicio, aquí hay algunas cosas que puede hacer para ayudarnos a servirle mejor.

### **Lea este manual del propietario:**

Contiene instrucciones para ayudarlo a usar y mantener su aparato correctamente.

### **Si recibe un aparato dañado:**

Inmediatamente póngase en contacto con el minorista o el constructor que le vendió el aparato.

### **Ahorre tiempo y dinero:**

Consulte la sección de solución de problemas al final de este manual antes de llamar. Esta sección le ayudará a resolver problemas comunes que pueden ocurrir.



1-800-26- Danby  
(1-800-263-2629)



## Importantes Instrucciones de Seguridad

### LEA Y SIGA TODAS LAS INSTRUCCIONES DE SEGURIDAD

#### REQUERIMIENTOS DE SEGURIDAD

**PELIGRO:** Riesgo de incendio o explosión. Refrigerante inflamable usado. No perforar la tubería del refrigerante.

- No utilice dispositivos mecánicos para descongelar el refrigerador.
- Asegúrese de que el personal de mantenimiento autorizado por la fábrica haga el mantenimiento para minimizar los daños o problemas de seguridad del producto.

**ADVERTENCIA:** Mantenga las aberturas de ventilación, en la caja del aparato o en la estructura incorporada, sin obstrucción.

**ADVERTENCIA:** No utilice dispositivos mecánicos u otros medios para acelerar el proceso de descongelación, distintos de los recomendados por el fabricante.

**ADVERTENCIA:** No dañar el circuito refrigerante.

**ADVERTENCIA:** No utilice electrodomésticos dentro de los compartimentos de almacenamiento de alimentos del aparato, a menos que sean del tipo recomendado por el fabricante.

**PRECAUCIÓN:** Riesgo de incendio o explosión. Refrigerante inflamable usado.

- Consulte el manual de reparación o la guía del propietario antes de intentar reparar este producto. Todas las precauciones de seguridad deben ser seguidas.
- Deseche adecuadamente de acuerdo con las regulaciones federales o locales.
- Siga cuidadosamente las instrucciones de manipulación.

**PRECAUCIÓN:** Los niños deben ser supervisados para asegurarse de que no juegan con el aparato.

**PELIGRO:** Riesgo de atrapamiento de niños. Antes de tirar un electrodoméstico viejo:

- Retire la puerta o la tapa.
- Deje los estantes en su lugar para que los niños no puedan subir fácilmente dentro.

#### REQUERIMIENTOS DE SEGURIDAD

Este aparato no está diseñado para ser usado por personas (incluyendo niños) cuyas capacidades físicas, sensoriales o mentales pueden ser diferentes o reducir, o que carecen de experiencia o conocimiento, a menos que dichas personas reciban supervisión o entrenamiento para operar el aparato por una persona responsable de su la seguridad.

#### INSTRUCCIONES DE CONEXION A TIERRA

Este aparato debe estar conectado a tierra. La puesta a tierra reduce el riesgo de descarga eléctrica proporcionando un cable de escape para la corriente eléctrica.

Este aparato tiene un cable que tiene un cable de conexión a tierra con un enchufe de 3 clavijas. El cable de alimentación debe estar enchufado en un tomacorriente que esté debidamente conectado a tierra. Si el tomacorriente es un enchufe de pared de 2 terminales, debe ser reemplazado por un tomacorriente de pared de 3 clavijas debidamente conectado a tierra. La placa de características en serie indica el voltaje y la frecuencia que el aparato está diseñado para.

**ADVERTENCIA** - El uso incorrecto del enchufe de conexión a tierra puede resultar en un riesgo de descarga eléctrica. Consulte a un electricista calificado o agente de servicio si las instrucciones de conexión a tierra no se entienden completamente o si existe duda sobre si el aparato está debidamente conectado a tierra.

**No conecte el aparato a los cables de extensión ni con otro aparato en la misma toma de corriente.** No empalme el cable de alimentación. No corte ni extraiga en ningún caso la tercera clavija de tierra del cable de alimentación. No utilice cables de extensión ni adaptadores sin conexión a tierra (dos clavijas).

Si el cable de alimentación está dañado, debe ser reemplazado por el fabricante, su agente de servicio o persona calificada similar para evitar riesgos.

**¡GUARDE ESTAS INSTRUCCIONES!**

## INSTRUCCIONES DE INSTALACIÓN

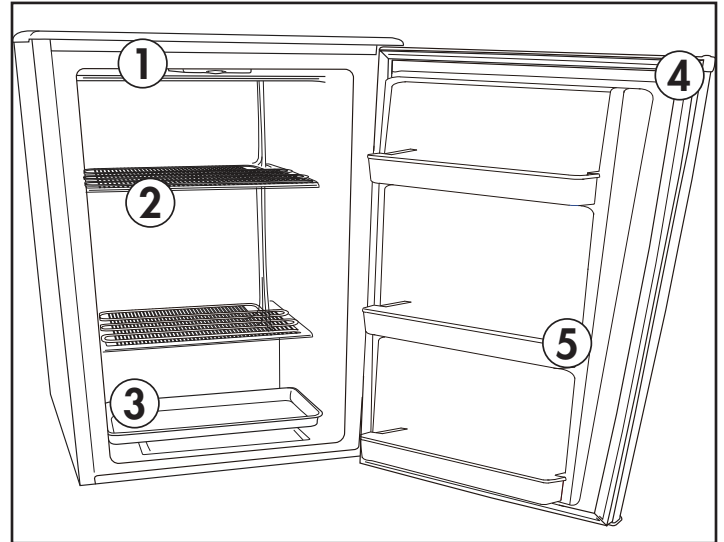
### UBICACIÓN

- Se deben utilizar dos personas al mover el aparato.
- Retire el embalaje interior y exterior antes de la instalación. Limpie el exterior del aparato con un paño suave y seco y el interior con un paño húmedo tibio.
- Coloque el aparato en un piso que sea lo suficientemente fuerte como para soportarlo cuando esté completamente cargado.
- Ubique el aparato lejos de la luz directa del sol y fuentes de calor (estufa, calentador, radiador, etc.). La luz solar directa y las fuentes de calor pueden aumentar el consumo eléctrico. Las temperaturas ambientales extremadamente frías también pueden causar que la unidad funcione incorrectamente.
- No utilice este producto cerca del agua, por ejemplo, en un sótano húmedo o cerca de un fregadero.
- Este aparato está diseñado para uso doméstico solamente. Esta unidad no está diseñada para instalación exterior, incluida la instalación en cualquier lugar que no sea de temperatura controlada (garajes, porches, cocheras, etc.).
- Antes de conectar el aparato a una fuente de alimentación, deje que se mantenga erguido durante aproximadamente 6 horas; Esto reducirá la posibilidad de un malfuncionamiento en el sistema de enfriamiento debido a la manipulación durante el transporte.
- Esta aparato tiene 60.8 cm (23.9 pulgadas) de ancho por 92.8 cm (36.5 pulgadas) de alto por 63.2 cm (24.9 pulgadas) de profundidad; por favor asegúrese de dejar un espacio mínimo entre la unidad y todas las paredes circundantes y las aberturas de ventilación.
- Espere 12.7 cm (5 pulgadas) de espacio entre la parte posterior, los lados y la parte superior del aparato y todas las paredes adyacentes.
- Este aparato está diseñado para instalación independiente y no está diseñado para ser instalado en un gabinete o mostrador. La construcción en este aparato puede causar un mal funcionamiento.

## INSTRUCCIONES DE OPERACIÓN

### CARACTERÍSTICAS

1. Dial del termostato
2. Estantes de congelador
3. Bandeja de goteo
4. Junta magnética
5. Contenedores de puerta



### NOTA IMPORTANTE

La puerta del congelador puede ser difícil de abrir inmediatamente después de cerrarla. Esto es normal y se debe a la diferencia de presión entre el interior frío del congelador y el aire caliente que acaba de entrar en el congelador cuando se abrió la puerta. La presión se igualará en pocos minutos.

Si la puerta es especialmente difícil de abrir, espere 5 minutos para que la presión se iguale y vuelva a intentarlo.

## INSTRUCCIONES DE OPERACIÓN

### SELECCION DE TEMPERATURA

La temperatura del aparato se puede ajustar girando el dial del termostato en el techo interior del aparato.

- Los números más bajos en el dial del termostato indican temperaturas más calientes.
- Los números más altos en el dial del termostato indican temperaturas más frías.
- El rango de temperatura del aparato es de aproximadamente  $-12^{\circ}\text{C}$  ( $-10^{\circ}\text{F}$ ) a  $-24^{\circ}\text{C}$  ( $-11.2^{\circ}\text{F}$ ).
- La temperatura en el interior del aparato puede variar en función de la temperatura ambiente, la frecuencia con la que se abre la puerta y la cantidad de alimentos frescos que se ha agregado recientemente a la unidad.
- Para detener la función de enfriamiento, gire la perilla de control a la posición "0".

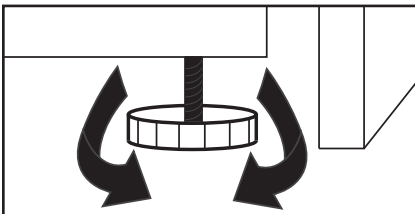
### Consejos para almacenar alimentos frescos

- La capacidad de congelación de este aparato es de aproximadamente 8 Kg (17 Lbs) en 24 horas.
- No sobrecargue el aparato ya que esto puede afectar el rendimiento.
- No congele grandes cantidades de alimentos frescos al mismo tiempo.

### INSTRUCCIONES DE NIVELACIÓN

Hay dos patas ajustables en la parte inferior del aparato que se pueden subir o bajar para asegurarse de que el aparato esté nivelado.

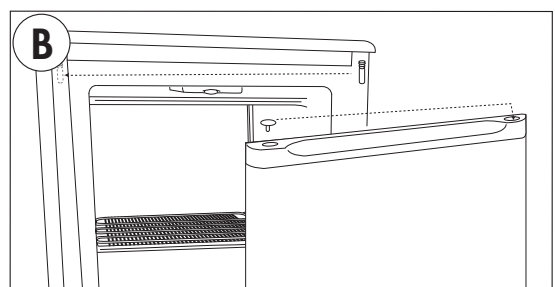
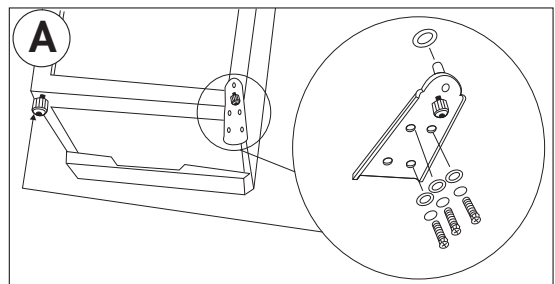
1. Gire la pierna de nivelación en el sentido de las agujas del reloj hasta el tope, hasta que la parte superior del pie toque la parte inferior del chasis.
2. Gire lentamente la pierna de nivelación en el sentido de las agujas del reloj hasta que el aparato esté nivelado.



### INSTRUCCIONES DE REVERSIÓN DE PUERTA

Si el aparato se coloca en su parte posterior o lateral durante un período de tiempo prolongado durante este proceso, se debe permitir que permanezca erguido durante 6 horas antes de enchufarlo para evitar daños a los componentes internos.

1. Retire las dos patas de nivelación ubicadas en la parte frontal del gabinete. Véase la figura A.
2. Quite los tornillos que sujetan el conjunto de la bisagra inferior al gabinete. Véase la figura A.
3. Retire la puerta del gabinete tirando hacia adelante ligeramente y tirando hacia abajo.
4. Usando un destornillador de cabeza plana, quite el pasador de bisagra superior de la encimera e instálelo en el lado opuesto del gabinete. Véase la figura B.
5. Retire el tapón del orificio del lado superior izquierdo de la puerta y el buje desde el lado superior derecho de la puerta y cambie sus posiciones. Haga lo mismo con el tapón de orificio y el buje en la parte inferior de la puerta. Véase la figura B.
6. Instale la puerta en el gabinete. Asegúrese de que la parte superior de la puerta está nivelada con la parte superior del gabinete y que la junta de goma hace un buen sellado con el gabinete todo el camino alrededor.
7. Instale el conjunto de bisagra inferior en el lado opuesto y luego instale ambas patas de nivelación.



## CUIDADO Y MANTENIMIENTO

### LIMPIEZA

Asegúrese de que la unidad esté desenchufada antes de limpiar cualquier parte del aparato.

- Para limpiar el interior del aparato, utilice un paño suave y una solución de una cucharada de bicarbonato de sodio a un litro de agua o una solución de jabón suave o algún detergente suave.
- Limpie el exterior con un paño suave y húmedo y un poco de detergente suave.
- Es importante mantener el área limpia donde la puerta sella contra el gabinete. Limpie este área con un paño jabonoso. Enjuague con un paño húmedo y deje secar.

**Nota:** No utilice limpiadores que contengan amoníaco o alcohol en el aparato. El amoníaco o el alcohol pueden dañar el aspecto del aparato. Nunca utilice limpiadores comerciales o abrasivos ni objetos afilados en ninguna parte del aparato.

### DESCONGELACIÓN

Este aparato se descongelará aproximadamente dos veces al año o cuando se haya formado una capa de hielo de 6 mm (1/4 de pulgada) sobre los estantes.

1. Gire el dial del termostato a la posición "0" y desenchufe el cable de alimentación.
2. Retire todo el contenido y deje la puerta abierta.
3. A medida que el hielo se derrite, el agua se acumulará en la bandeja de goteo en la parte inferior del aparato.
4. Compruebe el aparato con frecuencia durante el descongelamiento para asegurarse de que no haya fugas de agua y daños en el suelo.
5. La bandeja de goteo se puede quitar y vaciar según sea necesario.
6. Cuando se haya derretido todo el hielo, limpie el interior del aparato con una toalla o una esponja para asegurarse de que esté completamente seco antes de reanudar el funcionamiento.
7. Enchufe el aparato, gire el dial del termostato al ajuste deseado y vuelva a colocar todos los contenidos una vez que el aparato haya alcanzado la temperatura deseada.

**Importante:** No utilice objetos puntiagudos o afilados para quitar la escarcha ya que esto puede dañar las líneas de refrigerante. Si estas líneas son accidentalmente perforado hará que el congelador inoperable y anulará la garantía del fabricante.

### FALLO DE ALIMENTACIÓN

La mayoría de las fallas de alimentación se corrigen en pocas horas y no deben afectar la temperatura de su aparato si minimiza el número de veces que se abre la puerta. Si la alimentación va a estar apagada por un período de tiempo más largo, tome las medidas apropiadas para proteger su contenido.

**Nota:** Espere de 3 a 5 minutos antes de intentar reiniciar el refrigerador si se ha interrumpido la operación.

### VACACIONES

- **Vacaciones cortas:** Deje el aparato en funcionamiento durante las vacaciones de menos de tres semanas.
- **Largas vacaciones:** Si el aparato no se va a utilizar durante varios meses, retire todos los artículos y apague el aparato. Limpie y seque el interior a fondo. Para evitar el olor y el moho, deje la puerta ligeramente abierta, bloqueándola si es necesario.

### MUDARSE

- Eliminar todos los elementos.
- Tape la puerta cerrada.
- Asegúrese de que el aparato permanezca seguro en posición vertical durante el transporte. Proteja también el exterior del aparato con una manta o un artículo similar.
- Si el aparato se coloca en su parte posterior o lateral durante el transporte, al llegar al destino, permita que permanezca en su posición de funcionamiento durante 6 horas para evitar daños a los componentes internos.

### DISPOSICIÓN

Este aparato no puede ser tratado como un residuo doméstico normal, sino que debe ser llevado al punto de recogida de residuos apropiado para el reciclaje de componentes eléctricos. Para obtener información sobre los puntos de recogida de residuos locales, póngase en contacto con la agencia local de eliminación de residuos o con la oficina gubernamental. La eliminación de este aparato debe realizarse de acuerdo con las regulaciones federales y locales.

## SOLUCIÓN SUGERIDA

**Danby cuidado del consumidor: 1-800-263-2629**

**Horas de operación:**

Lunes a Jueves 8:30 am - 6:00 pm Hora estándar del este

Viernes 8:30 am - 4:00 pm Hora estándar del este

La información de este manual está sujeta a cambios sin previo aviso.

<b>PROBLEMA</b>	<b>POSSIBLE CAUSA</b>
<b>No funciona</b>	<ul style="list-style-type: none"><li>• Un fusible en su casa puede soplarse o el interruptor de circuito disparado</li><li>• El enchufe no está completamente insertado en la toma de corriente</li></ul>
<b>La temperatura interna no es lo suficientemente fría</b>	<ul style="list-style-type: none"><li>• La temperatura está demasiado alta</li><li>• La puerta no se cierra correctamente o se abre demasiado</li><li>• Recientemente se agregó una gran cantidad de alimentos calientes al armario</li><li>• Muy cerca de la fuente de calor o de la luz solar directa</li><li>• La temperatura ambiente o la humedad es muy alta</li></ul>
<b>El aparato funciona continuamente</b>	<ul style="list-style-type: none"><li>• La temperatura está demasiado fría</li><li>• La puerta no se cierra correctamente o se abre demasiado</li><li>• Recientemente se agregó una gran cantidad de alimentos calientes al armario</li><li>• Muy cerca de la fuente de calor o de la luz solar directa</li><li>• La temperatura ambiente o la humedad es muy alta</li></ul>



## GARANTÍA LIMITADA "A DOMICILIO"

Este producto de calidad está garantizado contra defectos de fabricación, incluyendo partes y mano de obra, siempre y cuando la unidad se utilice bajo las condiciones normales de funcionamiento para las que fue diseñado. Esta garantía está solamente disponible para la persona que haya comprado originalmente esta unidad directamente de Danby Products Limited (Canada) o Danby Products Inc. (U.S.A.) (en adelante "Danby") o uno de sus distribuidores autorizados, y no es transferible.

### CONDICIONES DE LA GARANTÍA

Las piezas plásticas, se autorizan por treinta (30) días solamente a partir de la fecha de la compra, sin las extensiones proporcionadas.

**Primeros 5 años** Durante los primeros **cinco (5) años**, cualquier parte en buen estado de este producto que resulte defectuosa, incluyendo cualquier sistema sellado, será reparado o reemplazado, a opción del fabricante, sin cargo para el comprador ORIGINAL.

**Para obtener servicio** Comuníquese con el distribuidor donde haya comprado la unidad, o llame al Taller de Servicio Autorizado más cercano, donde debe ser reparada por un técnico calificado. Si esta unidad es reparada en otro lugar que no sea un Taller de Servicio Autorizado, o si la unidad se utiliza para aplicaciones comerciales, Danby no se hará responsable de ninguna forma y la garantía será anulada.

**Límites del servicio técnico a domicilio** Danby se reserva el derecho de limitar la cobertura de "Servicio en Domicilio" sujeto a la proximidad de un **Taller de Servicio Autorizado**. Para todo artefacto que requiera servicio fuera del área limitada de "Servicio en Domicilio", el cliente será responsable por transportar dicho artefacto hasta el Taller de Servicio Autorizado más cercano. Si el electrodoméstico está instalado en un lugar que se encuentra a **100 kilómetros (62 millas)** o más del centro de servicios más cercano, se debe llevar la unidad al Centro de servicios Danby autorizado más cercano, ya que dicho servicio sólo puede realizarlo un técnico calificado y certificado por Danby para prestar servicios de garantía.

Los cargos por transporte desde y hacia el lugar en que se efectúe el servicio técnico no están cubiertos por esta garantía y son de responsabilidad del comprador.

Nada dentro de esta garantía implica que Danby será responsable por cualquier daño que hayan sufrido los alimentos u otros contenidos de este aparato, ya sea debido a un defecto del aparato, o su uso, adecuado o inadecuado.

### EXCLUSIONES

Salvo lo aquí indicado por Danby, no existen otras garantías, condiciones o representaciones, explícitas o implícitas, concretas o intencionales por parte de Danby o sus distribuidores autorizados y todas las demás garantías, condiciones o representaciones, incluyendo cualquier garantía, condiciones o representaciones bajo cualquier Acta de Venta de Productos o legislación o estatuto similar, quedan de esta forma expresamente excluidas. **Salvo lo aquí indicado, Danby no serán responsables por ningún daño a personas o bienes, incluyendo la propia unidad, sin importar su causa, o de ningún daño indirecto causado por el desperfecto de la unidad, y al comprar esta unidad, el comprador acepta por la presente, indemnizar y proteger a Danby contra cualquier reclamo por daños a personas o bienes causados por la unidad.**

### CONDICIONES GENERALES

No se considerará ninguna de estas garantías o seguros cuando el daño o la necesidad de reparación sea el producto de los siguientes casos:

- 1) Falla del suministro eléctrico.
- 2) Daños en tránsito o durante el transporte de la unidad.
- 3) Alimentación incorrecta, como bajo voltaje, instalación eléctrica defectuosa o fusibles inadecuados.
- 4) Accidente, modificación, abuso o uso incorrecto del artefacto, tal como insuficiente ventilación del ambiente o condiciones de operación anormales (temperatura ambiente extremadamente alta o baja).
- 5) Utilización comercial o industrial (v.g., si el electrodoméstico no está instalado en una vivienda particular).
- 6) Incendio, daños por agua, robo, guerra, disturbios, hostilidades, actos de fuerza mayor como huracanes, inundaciones, etc.
- 7) Pedidos de servicio debido a desinformación del usuario.
- 8) Instalación inadecuada (v.g., instalación empotrada de un electrodoméstico diseñado como unidad independiente o uso de un electrodoméstico al aire libre que no esté aprobado para dicho fin, incluyendo pero no limitado a: garajes, patios, porches o en cualquier lugar que no esté bien aislado o controlado por el clima).

Se requerirá una prueba de la fecha de compra para reclamaciones de garantía; Retener las facturas de venta. En el caso de que se requiera servicio de garantía, presente el comprobante de compra a nuestro depósito de servicio autorizado.

**Servicio de Garantía**  
Servicio en Domicilio

Danby Products Limited  
PO Box 1778, Guelph, Ontario, Canada N1H 6Z9  
Telephone: (519) 837-0920 FAX: (519) 837-0449

**1-800-263-2629**  
08/17

Danby Products Inc.  
PO Box 669, Findlay, Ohio, U.S.A. 45840  
Telephone: (419) 425-8627 FAX: (419) 425-8629





MODEL • MODÈLE • MODELO

DUFM043A2WDD

DUFM043A2WDD-3

DANBY PRODUCTS LIMITED, ONTARIO, CANADA N1H 6Z9  
DANBY PRODUCTS INC., FINDLAY, OHIO, USA 45840

Printed in China  
Imprimé en Chine  
Impreso en China