

Danby®

Do the right thing. *Designer*

OWNER'S MANUAL
MANUEL DU PROPRIÉTAIRE

ELECTRIC RANGE

Owner's Manual.....1 - 15

CUISINIÈRE ÉLECTRIQUE

Manuel du propriétaire.....16 - 30

MODEL * MODÈLE

DER244WC
DER244BSSC

Welcome

Welcome to the Danby family. We are proud of our quality products and we believe in dependable service. We suggest that you read this owner's manual before plugging in your new appliance as it contains important operation information, safety information, troubleshooting and maintenance tips to ensure the reliability and longevity of your appliance.

Visit www.Danby.com to access self service tools, FAQs and much more. For additional assistance call **1-800-263-2629**.

Note the information below; you will need this information to obtain service under warranty.

You must provide the original purchase receipt to validate your warranty and receive service.

Model Number: _____

Serial Number: _____

Date of Purchase: _____

Need Help?

Before you call for service, here are a few things you can do to help us serve you better.

Read this owner's manual:

It contains instructions to help you use and maintain your appliance properly.

If you receive a damaged appliance:

Immediately contact the retailer or builder that sold you the appliance.

Save time and money:

Check the troubleshooting section at the end of this manual before calling. This section will help you solve common problems that may occur.



1-800-26- Danby
(1-800-263-2629)



Important Safety Information

READ AND FOLLOW ALL SAFETY INSTRUCTIONS

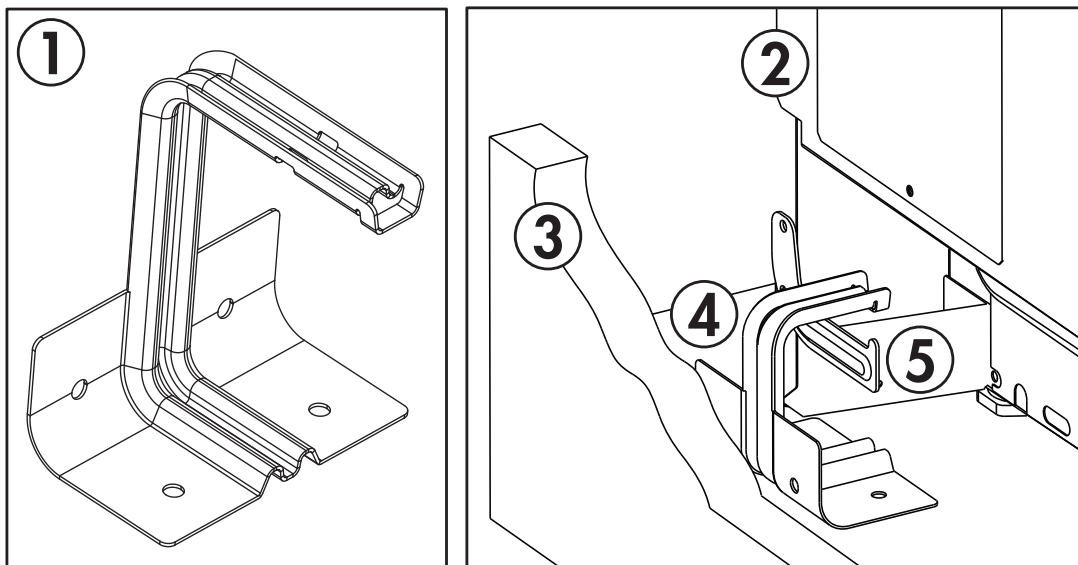
WARNING - TIP OVER HAZARD

- A child or adult can tip the appliance and be killed.
- Verify the anti-tip bracket has been properly installed and engaged to the floor or wall.
- Ensure the anti-tip bracket is re-engaged when the range is moved by sliding the anti-tip arm under the bracket.
- Do not operate the range without the anti-tip bracket in place and engaged.
- Failure to follow these instructions can result in death or serious burns to children or adults.

ANTI-TIP BRACKET

To reduce the risk of the appliance tipping over, an anti-tip bracket is provided that must be installed before operating the appliance. See installation instructions shipped with the bracket for complete details.

1. Anti-tip bracket
2. Right side panel
3. Rear wall
4. Anti-tip bracket
5. Anti-tip arm



To check if the bracket is installed and engaged properly, look underneath the range to see that the anti-tip arm attached to the right side panel is engaged on the bracket. On some models, the storage drawer or kick panel can be removed for easier inspection.

If visual inspection is not possible, slide the range forward, confirm the anti-tip bracket is securely attached to the floor or wall and slide the range back so the anti-tip arm slides under the anti-tip bracket. If the range is pulled from the wall for any reason, always repeat this procedure to verify that the range is properly secured by the anti-tip bracket.

SAVE THESE INSTRUCTIONS!



Important Safety Information

READ AND FOLLOW ALL SAFETY INSTRUCTIONS

GENERAL SAFETY REQUIREMENTS

Ensure the appliance is properly installed and grounded by a qualified technician.

Never use the appliance for warming or heating the room.

Children should not be left alone or unattended in the area where the appliance is in use. Children should never be allowed to sit or stand on any part of the appliance.

Do not store items of interest to children in cabinets above a range or on the back guard of a range. Children climbing on the range to reach items could be seriously injured.

Loose fitting or hanging garments should never be worn while using the appliance.

Do not repair or replace any part of the appliance unless specifically recommended in the manual. All other servicing should be referred to a qualified technician.

Flammable materials should not be stored in or near the appliance.

Do not use water on grease fires. Smother fire or flame or use dry chemical or foam-type extinguisher.

Use only dry pot holders. Moist or damp pot holders on hot surfaces may result in burns from steam. Do not let the pot holder touch hot heating elements. Do not use a towel or other bulky cloth.

If power is lost to an electric cooktop while a surface element is ON, the surface element will turn back on as soon as power is restored. In the event of power loss, failure to turn all surface element knobs to the OFF position may result in ignition of items on or near the cooktop, leading to serious injury or death.

To avoid the possibility of a burn or an electric shock, always be certain that the controls for all surface elements are at the OFF position, and that all coils are cool before attempting to lift or remove a coil cooking element.

COOK TOP SAFETY REQUIREMENTS

Use the proper pan size. This appliance is equipped with four burners of different sizes. Select utensils that have flat bottoms large enough to cover the surface of the heating element. The use of undersized utensils will expose a portion of the heating element to direct contact and may result in ignition of clothing. Proper relationship of utensil to burner will also improve efficiency.

Never leave the appliance unattended while in use. Boil over causes smoking and greasy spills can ignite.

Never leave oil unattended while frying. If allowed to heat beyond its smoking point, oil may ignite resulting in fire that may spread to surrounding cabinets. Use a deep fat thermometer whenever possible to monitor oil temperature.

To avoid oil spillover and fire, use a minimum amount of oil when shallow pan-frying and avoid cooking frozen foods with excessive amounts of ice.

Ensure that reflector pans or drip bowls are in place. Absence of these pans or bowls during cooking may subject wiring or components underneath to damage.

Do not use aluminum foil to line drip bowls or oven bottoms, except as suggested in the manual. Improper installation of these liners may result in a risk of electric shock or fire.

Only certain types of glass, ceramic, earthenware or other glazed utensils are suitable for range top service without breaking due to sudden change in temperature.

To reduce risk of burns, ignition of flammable materials and spillage due to unintentional contact, the handle of a utensil should be positioned so that it is turned inward and does not extend over adjacent burners.

Removable heating elements should never be immersed in water.

SAVE THESE INSTRUCTIONS!



Important Safety Information

READ AND FOLLOW ALL SAFETY INSTRUCTIONS

OVEN SAFETY REQUIREMENTS

Use care when opening the door. Allow hot air or steam to escape before removing or replacing food.

Do not heat unopened food containers. Build up of pressure may cause the container to burst and result in injury.

Keep oven vents unobstructed.

Always place oven racks in the desired location while the oven is cool. If the rack must be moved while the oven is hot, do not let the pot holder contact the hot heating element in the oven.

Pull the oven rack to the stop-lock position when loading and unloading food from the oven. This helps prevent burns from touching hot surfaces of the door and oven walls.

Do not use the oven if a heating element develops a glowing spot during use or shows other signs of damage. A glowing spot indicates the heating element may fail and present a potential burn, fire, or shock hazard. Turn the oven off immediately and have the heating element replaced by a qualified service technician.

DO NOT TOUCH HEATING ELEMENTS OR AREAS NEAR THEM

Heating elements on the surface or in the interior of the appliance may be hot even though they are dark in colour. Areas near the heating elements may become hot enough to cause burns. During and after use do not touch or let clothing or other flammable materials contact the heating elements or areas near them until they have had sufficient time to cool. Surfaces of the appliance may become hot enough to cause burns, among them are the oven vent openings and surfaces near these openings, oven doors and oven windows.

WARNING - IN CASE OF FIRE

In the event of a fire, never pick up a flaming pot or pan. Turn the burner off if it is safe to do so. Extinguish the fire with a dry chemical or foam-type extinguisher.

Do not use water on grease fires. Water will spread the grease and will not extinguish the fire. Smother the fire with a tight fitting pot lid, cookie sheet or flat tray or use dry chemical or foam-type extinguisher.

If there is a fire in the oven during baking, smother the fire by closing the oven door and turning the oven off or use dry chemical or foam-type extinguisher.

WARNING

To reduce the risk of burns, do not move this appliance while it is hot. To reduce the risk of injury due to tipping of the appliance, verify the re-installation of this appliance into the anti-tipping device provided and lock the casters after returning the appliance to the original installed position.

SAVE THESE INSTRUCTIONS!

INSTALLATION INSTRUCTIONS

BEFORE BEGINNING

Keep these instructions for future reference.

Installation of this appliance requires basic mechanical skills and roughly 1 to 3 hours of time.

Proper installation is the responsibility of the installer. Product failure due to improper installation is not covered under the warranty.

Before beginning the installation, switch power off at the service panel and lock the service disconnecting means to prevent power from being switched on accidentally. If the service disconnecting means cannot be locked, securely fasten a warning device such as a tag to the service panel.

Make sure the appliance and the outlet it will use is properly installed and grounded by a qualified technician.

WARNING - Improper use of the grounding plug can result in a risk of electric shock. Consult a qualified electrician or service agent if the grounding instructions are not completely understood, or if doubt exists as to whether the appliance is properly grounded.

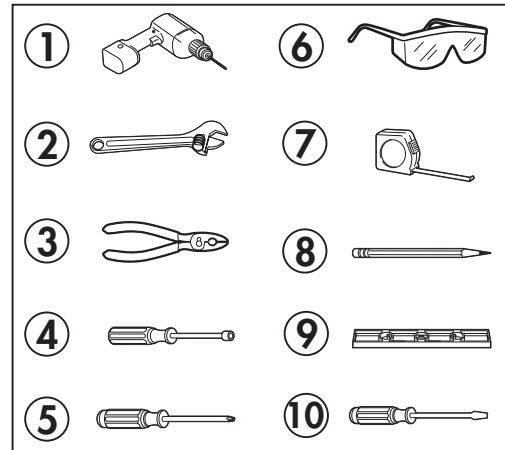
Do not connect your appliance to extension cords or together with another appliance in the same wall outlet. Do not splice the power cord. Do not under any circumstances cut or remove the third ground prong from the power cord. Do not use extension cords or ungrounded (two prongs) adapters.

If the power supply cord is damaged, it must be replaced by the manufacturer, its service agent or similar qualified person in order to avoid hazard.

Remove all packing materials before installation.

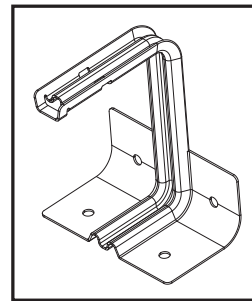
REQUIRED TOOLS

1. Drill with a 1/8" bit
2. Adjustable wrench
3. Pliers
4. 1/4" nut driver
5. Phillips screwdriver
6. Safety glasses
7. Tape measure
8. Pencil
9. Level
10. Flat blade screwdriver



PARTS INCLUDED

1. Anti-tip bracket



LEVEL THE APPLIANCE

Make sure that the appliance is properly leveled to ensure even cooking. Leveling legs are located at each corner of the appliance.

1. Turn the legs counterclockwise as far as they will go until they are touching the bottom of the cabinet.
2. Slowly turn the legs clockwise until the appliance is level.
3. Use a spirit level or a measuring cup half filled with water to check if the appliance is level.

INSTALLATION INSTRUCTIONS

PREPARE THE OPENING

All rough-in and spacing dimensions must be met for safe use of the appliance. Electricity to the range can be disconnected at the outlet without moving the range by removing the lower drawer if the outlet is in the preferred location.

To reduce the risk of burns or fire when reaching over hot surface elements, cabinet storage space above the cooktop should be avoided. If cabinetry is present above the range, risk can be reduced by installing a range hood that sticks out at least 5 inches beyond the front of the cabinets. Cabinets installed above a cook top must be no deeper than 13 inches.

Make sure the cabinets and wall coverings around the range can withstand temperatures generated by the range.

Allow 2 inches of space from the range to the adjacent vertical walls above the cooktop surface.

Allow 30 inches minimum clearance between the surface elements and the bottom of unprotected wood or metal top cabinets and 15 inches minimum between the counter top and the adjacent cabinet bottom.

The range is heavy and can settle into soft floor coverings such as vinyl or carpeting. When installing the range on this type of flooring, it should be installed on a 1/4 inch thick sheet of plywood or similar material.

A:	23 3/4"
B:	23 3/4"
C:	2"
D:	44 3/8"

ELECTRICAL REQUIREMENTS

This appliance must be supplied with the proper voltage and frequency, and connected to an individual properly grounded branch circuit, protected by a circuit breaker or fuse having amperage as specified on the rating plate. The rating plate is located under the cooktop.

We recommend you have the electrical wiring and hookup of your range connected by a qualified electrician. After installation, have the electrician show you where your main range disconnect is located.

Check with your local utilities for electrical codes which apply in your area. Failure to wire your oven according to governing codes could result in a hazardous condition. If there are no local codes, your range must be wired and fused to meet the requirements of the CSA Standard C22.1, Canadian Electrical Code, Part 1 - latest edition.

You can get a copy from: Canadian Standards Association, 178 Rexdale Blvd., Toronto, ON, M9W 1R3, CANADA.

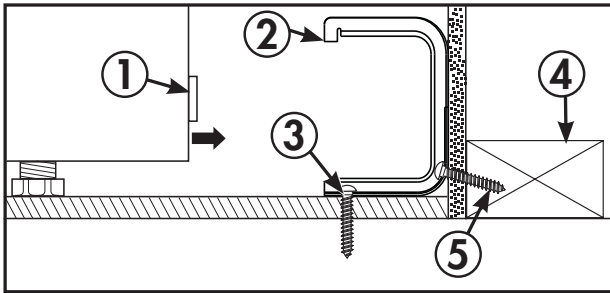
This range is equipped with a CSA International Certified Power Cord intended to be plugged into a standard 14-50R wall receptacle. Be sure the wall receptacle is within reach of the range's final location.

6

INSTALLATION INSTRUCTIONS

ANTI-TIP BRACKET INSTALLATION

1. Anti-tip arm on the back of the appliance
2. Anti-tip bracket
3. Screw must enter wood or concrete
4. Wall sill plate
5. Screw must enter wood



To reduce the risk of the appliance tipping, the anti-tip bracket must be installed before operation.

Note: The installation of the anti-tip bracket must meet all local codes for securing the appliance.

The anti-tip bracket must be secured to either the rear wall or the floor and must be positioned in such a way that it will overhang the anti-tip arm on the rear of the appliance.

Rear wall installation

Use the two screws provided to secure the bracket to the rear wall. The screws must enter a wood sill plate. If the wall contains any metal studs or similar materials, or if the back of the appliance cannot reach the rear wall, the floor installation should be used.

Floor installation

Wood floor: Use the two screws provided to secure the bracket to the floor.

Concrete floor:

1. Mark the location where the screws need to be installed.
2. Use a power drill and a concrete bit to drill a $5/32''$ pilot hole $2''$ deep into the concrete at the center of each of the marked locations.
3. Use the two screws provided to secure the bracket to the floor.

Double check the installation

After installing the bracket, slide the appliance into its final location. Look underneath the appliance and ensure that the anti-tip arm attached to the side panel of the appliance is engaging the bracket.

OPERATING INSTRUCTIONS

SURFACE COOKING CONTROLS

The surface heating elements of the appliance are designed for a variety of heat settings.

At both the HI and LO positions, there are slight indents and the knob will click into place in these positions. HI indicates the highest setting. LO indicates the lowest setting.

A sound of clicking may be heard from the appliance during use. This is normal and indicates that the heat setting selected is being maintained.

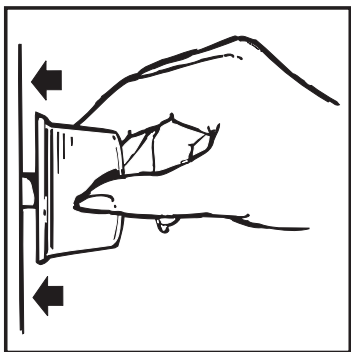
Changing to a higher heat setting will happen faster than changing to a lower heat setting as it will take time for the heat to dissipate.

SETTING THE CONTROLS

1. Push the control knob in.
2. Turn to the desired heat setting.

The knob only needs to be pushed in when moving out of the "OFF" position. When the knob is in any position other than "OFF", it can be turned without pushing in.

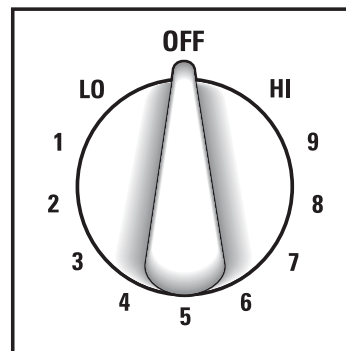
Ensure that the element is turned off when cooking is finished. An indicator light will glow when any heating element is turned on.



HEAT SETTING GUIDE

- HI - quick start for cooking; bringing water to a boil
- MEDIUM HIGH - Fast fry; pan broil; maintain a fast boil on a large amount of food
- MED - Sauté and brown; maintain a slow boil on a large amount of food
- MEDIUM LOW - Cereal; maintain the serving temperature of most foods
- LO - Cook after starting at HI; cook with little water in a covered pan; use to steam rice; melt chocolate or butter

Never leave food unattended while cooking. Boil overs cause smoking. Greasy spill overs may catch fire.



SURFACE COOKING TIPS

Use medium or heavyweight cookware. Aluminum cookware conducts heat faster than other metals. Cast-iron and coated cast-iron cookware is slow to absorb heat, but generally cooks evenly at low or medium heat settings. Steel pans may cook unevenly if not combined with other metals.

Do not overfill cookware with fat that may spill over when adding food. Frosty foods bubble vigorously. Watch foods frying at high temperatures. Keep range and hood clean from accumulated grease.

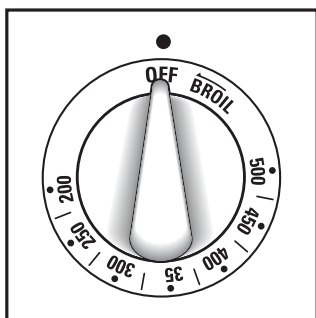
To conserve the most cooking energy, pans should be flat on the bottom, have straight sides and tight-fitting lids. Match the size of the saucepan to the size of the surface element. A pan that extends more than an inch beyond the edge of the drip pan traps heat, which causes "crazing" (fine hairline cracks) on porcelain, and discoloration ranging from blue to dark gray on chrome drip pans.

OPERATING INSTRUCTIONS

OVEN COOKING CONTROLS

To use the oven, turn the oven temperature knob to the desired cooking temperature. The oven knob is marked in 25 degree increments, from 200°F to BROIL.

The oven light glows until the oven reaches the selected temperature and then will turn off. During cooking, the light will turn on any time the oven needs to add more heat to maintain the selected temperature.



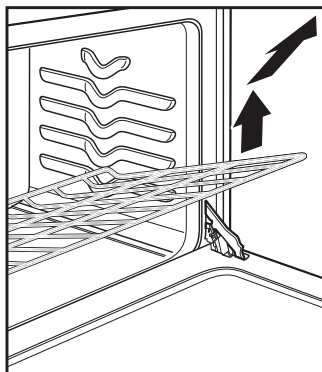
OVEN SHELVES

The oven shelves are designed with stop-locks so that when they are placed correctly on the shelf supports, they will stop before coming completely out of the oven and will not tilt when food is being removed or added.

To remove the shelves from the oven, pull the shelf outward, tilt the front end upward and pull it out.

To replace the shelves, place the shelf on the support with the stop locks facing up and toward the back of the oven. Tilt up the front and push the shelf toward the back of the oven until it goes past the bump on the shelf support, then lower the front of the shelf and push it all the way into the oven.

The oven has four different shelf support positions to accommodate different cooking requirements.



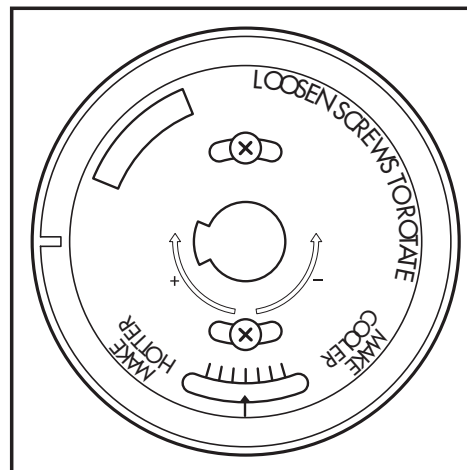
ADJUST THE OVEN THERMOSTAT

You may find that the new oven cooks differently than the one it replaced. Use the new oven for a few weeks to become familiar with it. If you still find the oven is too hot or too cold, you can adjust the thermostat.

Do not use thermometers, such as those found in grocery stores to check the temperature of the oven. They are not calibrated for high temperatures and can vary from 20 - 40 degrees.

This adjustment will not affect the broiling temperatures. The adjustment will be retained after a power failure.

1. Pull the oven temperature knob off the range and look at the back of it. To make an adjustment, loosen by one turn the two screws on the back of the knob. Do not completely remove the screws.
2. With the back of the knob facing you, hold the outer edge of the knob with one hand and turn the front of the knob with the other hand.
3. To increase the oven temperature, move the top screw toward the right.
4. To decrease the oven temperature, move the top screw toward the left.
5. You will hear a click for each notch you move the knob. Each click will change the oven temperature approximately 10°F. The range is plus or minus 60°F from the arrow. We suggest that you adjust the temperature by one click and then test the oven performance before adjusting further.
6. After the adjustment is made, retighten the screws so they are snug. Be careful not to over-tighten.
7. Replace the knob, matching the flat area of the knob to the shaft.



OPERATING INSTRUCTIONS

OVEN BAKING AND ROASTING

1. Position the shelves in the oven. If cooking on two shelves at the same time, stagger the pans for the best heat circulation.
2. Close the oven door. Turn oven temperature knob to the desired temperature.
3. Place the food on the center of the oven shelf. Allow at least 2 inches between the end of the pan and the oven wall or any adjacent pans.
4. Check the food regularly. Remove once done and ensure the oven is turned off.

SHELF POSITIONS

- Most baking is done on the second or third shelf position from the bottom of the oven.
- When baking multiple items, use two shelves positioned on the second and fourth shelf supports from the bottom of the oven.
- Bake angel food cakes on the first shelf position from the bottom of the oven.
- Roasting is usually done on the bottom shelf position.
- If preheating is necessary, watch the oven light and place food in the oven once the light goes out. The oven light will cycle on and off with the oven thermostat as it cycles to maintain an even temperature.

BAKING AND ROASTING TIPS

- Follow a tested recipe and measure the ingredients carefully. If you are using a package mix, follow label directions.
- Do not open the oven door while baking or roasting. Heat will be lost and the cook time might need to be extended. If you must open the door, open it partially and close it as quickly as possible.
- Roasting is cooking by dry heat. Tender meat or poultry can be roasted uncovered. Roasting temperatures, which should be low and steady, keep spattering to a minimum. When roasting, it is not necessary to sear, baste, cover, or add water to the meat.
- Frozen roasts of meat can be cooked without thawing, but allow 10 to 25 minutes of additional time per pound of meat (10 minutes per pound for roasts under 5 pounds, more time for larger roasts).
- Thaw frozen poultry before roasting to ensure even cooking. Some commercial frozen poultry can be cooked successfully without thawing. Follow directions given on package label.

OVEN BOILING

Broiling involves cooking food by intense radiant heat from the upper element in the oven. Most fish and tender cuts of meat can be broiled. Follow these steps to keep spattering and smoking to a minimum.

1. If the meat has fat or gristle around the edge, cut vertical slashes through both about 2" apart. If desired, fat may be trimmed, leaving a layer about 1/8" thick.
2. Place the meat on a broiler grid in a broiler pan designed for broiling. Always use the grid so the fat drips into the broiler pan; otherwise the juices may become hot enough to catch fire.
3. Place the shelf in one of the top two positions for most broiling.
4. Place the food in the oven and close the door. Always broil with the door closed.
5. Turn the oven temperature knob to BROIL.
6. Food can be turned during broiling if necessary. Be cautious of hot air or steam when opening the oven door.
7. Make sure to turn the oven temperature knob to OFF once broiling is complete.

BROILING TIPS

- If desired, marinate meats or chicken before broiling or brush with barbecue sauce in the last 5 - 10 minutes of cooking.
- When arranging food on a pan, do not let fatty edges hang over the sides as the dripping fat will soil the oven as it cooks.

CARE & MAINTENANCE

SURFACE ELEMENTS

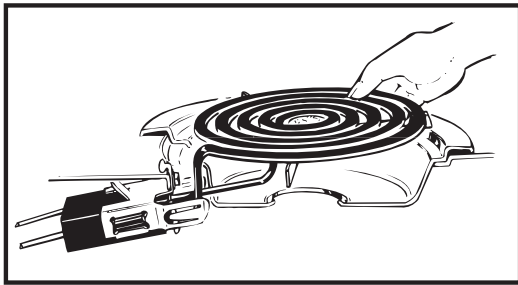
To clean the surface heating elements, turn the temperature control knob to the highest setting for one minute; this will burn off any food residue. Note that this could cause smoke, it is advisable to open a window or turn on a fan to avoid smoke build up.

Do not immerse the heating elements in liquids of any kind. Do not put heating elements into a dishwasher.

To remove the drip pans for cleaning, first remove the heating elements. Make sure the elements are cool before touching them.

Lift the element about 1" above the drip pan and pull to remove. Do not lift the element more than 1" as this can bend internal components and the element may not lie flat when it is replaced.

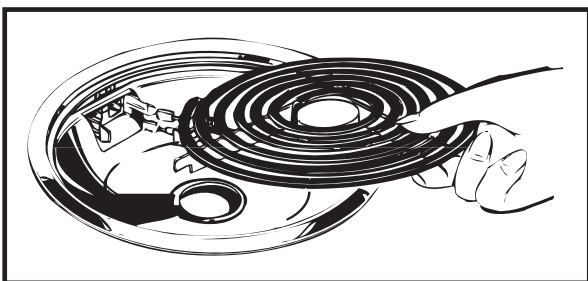
Remove the drip pan and clean as necessary. Drip pans can be cleaned in a dishwasher or by hand.



Once cleaning is complete, replace the drip pan in the recess in the cook top. Make sure the opening in the pan lines up with the receptacle.

Insert the terminals on the heating element through the opening in the drip pan and into the receptacle. Guide the element into place gently so that it rests evenly.

Do not attempt to clean, adjust or repair the receptacles in any way.



CLEANING

Porcelain enamel cook top

The porcelain enamel finish on the cook top is sturdy but can be damaged if misused. Any acidic foods such as fruit juices, tomato or vinegar, should not be permitted to remain on the finish for any length of time.

Lift up cook top

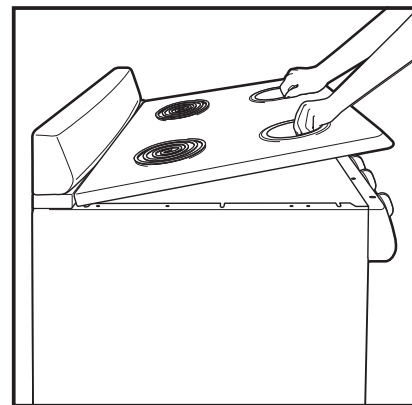
The cook top can be lifted so the area underneath can be cleaned. Spills that overflow the drip pans, especially grease, should be cleaned to avoid build up and possible smoking or ignition.

Ensure the heating elements are turned off and cool before lifting the cook top.

Remove the heating elements and the drip pans.

Lift the cook top and prop open with the internal rod for easier cleaning. This area can be cleaned with hot, soapy water and a clean cloth.

Once complete, return the internal prop rod to its initial position and lower the cook top until it snaps into position. Be careful not to pinch your fingers. Replace the drip pans and heating elements.



CARE & MAINTENANCE

Porcelain oven interior

With proper care, the porcelain enamel interior will retain its finish for many years.

Soap and water can be used to clean the interior. Heavy splattering or spills may require cleaning with a mild abrasive cleaner.

Do not allow spills with high acid content such as milk, tomatoes, fruit juices or pie filling, to remain on the surface. They may cause dull spots even after cleaning.

Household ammonia may make cleaning easier. Place 1/2 cup of ammonia in a shallow glass pan and leave in a cold oven overnight. The ammonia fumes will help loosen burned on grease and food.

Cautions about using spray-on oven cleaners

Do not spray oven cleaner on the electrical controls and switches as it could cause a short circuit and result in sparking or fire.

Do not spray oven cleaner directly onto the oven heating elements.

Do not allow a film from the oven cleaner to remain on the temperature sensor as it could cause the oven to heat improperly. The sensor is located on the top of the oven. Carefully wipe the bulb clean after each oven cleaning, being careful not to move the sensor since a change in its position could affect how the oven bakes.

Do not spray oven cleaner on the outside of the oven door, handles or any exterior surface of the oven, cabinet or painted surfaces. The cleaner can damage these surfaces.

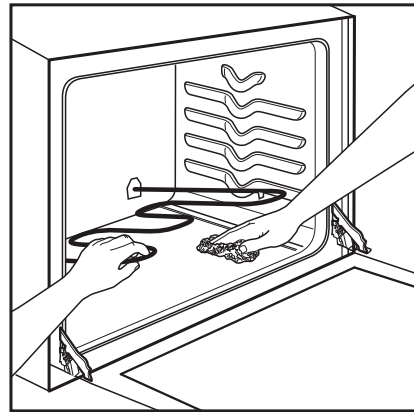
Oven shelves

Clean the shelves with an abrasive cleaner or steel wool. After cleaning, rinse the shelves with clean water and dry with a clean cloth.

Oven heating elements

Do not clean the bake element or the broil element. Any food residue will burn off when the elements are heated.

The bake element can be gently lifted to clean the oven floor. Ensure the element is cool before cleaning.



Control knobs

The control knobs may be removed for easier cleaning. Make sure the knobs are in the "OFF" position and then pull straight off the stems for cleaning.

The knobs can be cleaned in a dishwasher or by hand. Make sure the insides of the knobs are dry before replacing on the appliance.

Painted surfaces

The painted surfaces include the sides, the control panel, the door and the kick plate. Clean these with soap and water or a vinegar and water solution.

Do not use commercial oven cleaners, cleansing powders, steel wool or harsh abrasives on any painted surface.

CARE & MAINTENANCE

Removable oven door

The oven door is removable but it is heavy. It is recommended that at least two people work together to remove it.

To remove the door:

1. Open the door to the full open position.
2. Pull the hinge locks up over the hinge hooks on both sides.
3. Grasp the door firmly on both sides, lift slightly and pull it straight out and away from the oven.

To replace the door:

1. Firmly grasp both sides of the door at the top.
2. Insert and seat the upper and lower hinge arms into the oven slots.
3. Push the hinge locks down from the hinge hooks.
4. Close the oven door and make sure it is working properly. If it seems uneven or does not close completely, remove it again and repeat the steps to replace it.

Note: Do not attempt to close the door until it is properly installed. The hinges could be damaged.

Glass door window

To clean the outside of the glass door window, use a glass cleaner. Rinse and polish with a dry cloth.

Avoid scratching or impacting the glass window. Doing so may cause the glass to break.

OVEN LIGHT REPLACEMENT

Important: Before replacing the oven light bulb, make sure the electrical power is disconnected from the appliance. Failure to do so may result in electric shock or burn. Be sure to let the light cover and bulb cool completely before replacing.

The oven light bulb is covered with a removable glass cover that is held in place with a bail-shaped wire. Removing the oven door can make this process easier.

To remove the light cover:

1. Hold a hand under the light cover so it does not fall when released.
2. With the fingers of the same hand, firmly push back the wire cover holder. Lift off the cover. Do not remove any screws to remove the cover.
3. Do not touch the light bulb with a wet cloth. Replace the bulb with a 40 watt appliance light bulb.

To replace the light cover:

1. Place the light cover into the groove of the light receptacle.
2. Pull the wire forward to the center of the cover until it snaps into place. Ensure that the wire is in the depression in the center of the light cover.

TROUBLESHOOTING

Danby Consumer Care: 1-800-263-2629

Hours of operation:

Monday to Thursday 8:30 am - 6:00 pm Eastern Standard Time

Friday 8:30 am - 4:00 pm Eastern Standard Time

Information in this manual is subject to change without notice.

PROBLEM	POSSIBLE CAUSE
No power	<ul style="list-style-type: none">• A fuse may be blown or the circuit breaker tripped• Plug not fully inserted into the wall outlet
Surface elements not working properly	<ul style="list-style-type: none">• The elements are not properly installed• The controls are not set correctly• The drip pans are not set securely in the cook top
Food does not broil properly	<ul style="list-style-type: none">• Oven temperature is not properly set• Shelf position is too low• Cookware is not suited for broiling• Aluminum foil is being used and is blocking air flow
Food does not bake or roast properly	<ul style="list-style-type: none">• Oven temperature is not properly set• Shelf position is incorrect• Oven was not pre-heated• Cookware is not suited for baking or roasting
Oven light does not work	<ul style="list-style-type: none">• Light bulb is loose• Light switch is not operating correctly

LIMITED "IN HOME" WARRANTY

This quality product is warranted to be free from manufacturer's defects in material and workmanship, provided that the unit is used under the normal operating conditions intended by the manufacturer.

This warranty is available only to the person to whom the unit was originally sold by Danby Products Limited (Canada) or Danby Products Inc. (U.S.A.) (hereafter "Danby") or by an authorized distributor of Danby, and is non-transferable.

TERMS OF WARRANTY

Plastic parts are warranted for thirty (30) days from the date of purchase, with no extensions provided.

First 18 months During the first **eighteen (18) months**, any functional parts of this product found to be defective, will be repaired or replaced, at warrantor's option, at no charge to the original purchaser.

To obtain service Contact the dealer where the unit was purchased, or contact the nearest authorized Danby service depot, where service must be performed by a qualified service technician. If service is performed on the unit by anyone other than an authorized service depot, all obligations of Danby under this warranty shall be void.

Boundaries of in-home service Danby reserves the right to limit the boundaries of "In Home Service" to the proximity of an authorized service depot. Any appliance requiring service outside the limited boundaries of "In Home Service", will be the consumer's responsibility to transport at their own expense to the original point of purchase or a service depot for repair. If the appliance is installed in a location that is **100 kilometers (62 miles)** or more from the nearest service center, it must be delivered to the nearest authorized Danby Service Depot by the purchaser.

Transportation charges to and from the service location are not protected by this warranty and are the responsibility of the purchaser.

Nothing within this warranty shall imply that Danby will be responsible or liable for any spoilage or damage to food or other contents of this appliance, whether due to any defect of the appliance, or its use, whether proper or improper.

EXCLUSIONS

Save as herein provided, by Danby, there are no other warranties, conditions, representations or guarantees, express or implied, made or intended by Danby or its authorized distributors and all other warranties, conditions, representations or guarantees, including any warranties, conditions, representations or guarantees under any Sale of Goods Act or like legislation or statute is hereby expressly excluded. Save as herein provided, **Danby shall not be responsible for any damages to persons or property, including the unit itself, howsoever caused or any consequential damages arising from the malfunction of the unit and by the purchase of the unit, the purchaser does hereby agree to indemnify and hold harmless Danby from any claim for damages to persons or property caused by the unit.**

GENERAL PROVISIONS

No warranty or insurance herein contained or set out shall apply when damage or repair is caused by any of the following:

- 1) Power failure.
- 2) Damage in transit or when moving the appliance.
- 3) Improper power supply such as low voltage, defective house wiring or inadequate fuses.
- 4) Accident, alteration, abuse or misuse of the appliance such as inadequate air circulation in the room or abnormal operating conditions (ie. extremely high or low room temperature).
- 5) Use for commercial or industrial purposes (ie. If the appliance is not installed in a domestic residence).
- 6) Fire, water damage, theft, war, riot, hostility, acts of God such as hurricanes, floods etc.
- 7) Service calls resulting in customer education.
- 8) Improper Installation (ie. Building-in of a free standing appliance or using an appliance outdoors that is not approved for outdoor application, including but not limited to: garages, patios, porches or anywhere that is not properly insulated or climate controlled).

Proof of purchase date will be required for warranty claims; retain bills of sale. In the event that warranty service is required, present the proof of purchase to our authorized service depot.

**Warranty Service
In Home**

Danby Products Limited
PO Box 1778, Guelph, Ontario, Canada N1H 6Z9
Telephone: (519) 837-0920 FAX: (519) 837-0449

**1-800-263-2629
04/17**

Danby Products Inc.
PO Box 669, Findlay, Ohio, U.S.A. 45840
Telephone: (419) 425-8627 FAX: (419) 425-8629

Bienvenue

Bienvenue à la famille Danby. Nous sommes fiers de la qualité de nos produits et nous croyons au service fiable. Nous vous suggérons de lire ce manuel d'utilisation avant de brancher votre nouvel appareil, car il contient des informations importantes sur l'utilisation, la sécurité, le dépannage et la maintenance, afin d'assurer la fiabilité et la longévité de votre appareil.

Visitez www.Danby.com pour accéder aux outils d'autoservice, aux FAQ et bien plus encore. Pour obtenir de l'aide supplémentaire, composez le **1-800-263-2629**.

Notez les informations ci-dessous; Vous aurez besoin de cette information pour obtenir un service sous garantie.

Vous devez fournir le reçu d'achat original pour valider votre garantie et recevoir le service.

Numéro de modèle : _____

Numéro de serie : _____

Date d'achat : _____

Besoin d'assistance?

Avant d'appeler pour le service, voici quelques choses que vous pouvez faire pour nous aider à mieux vous servir.

Lire ce manuel du propriétaire :

Il contient des instructions pour vous aider à utiliser et à entretenir votre appareil correctement.

Si vous recevez un appareil endommagé :

Contactez immédiatement le revendeur ou l'entrepreneur qui vous a vendu l'appareil.

Gagnez du temps et de l'argent :

Avant d'appeler pour le service, consultez la section de dépannage à la fin de ce manuel. Cette section vous aidera à résoudre les problèmes courants pouvant survenir.



1-800-26- Danby
(1-800-263-2629)



Consignes de sécurité importantes

LIRE ET SUIVRE TOUTES LES INSTRUCTIONS DE SÉCURITÉ

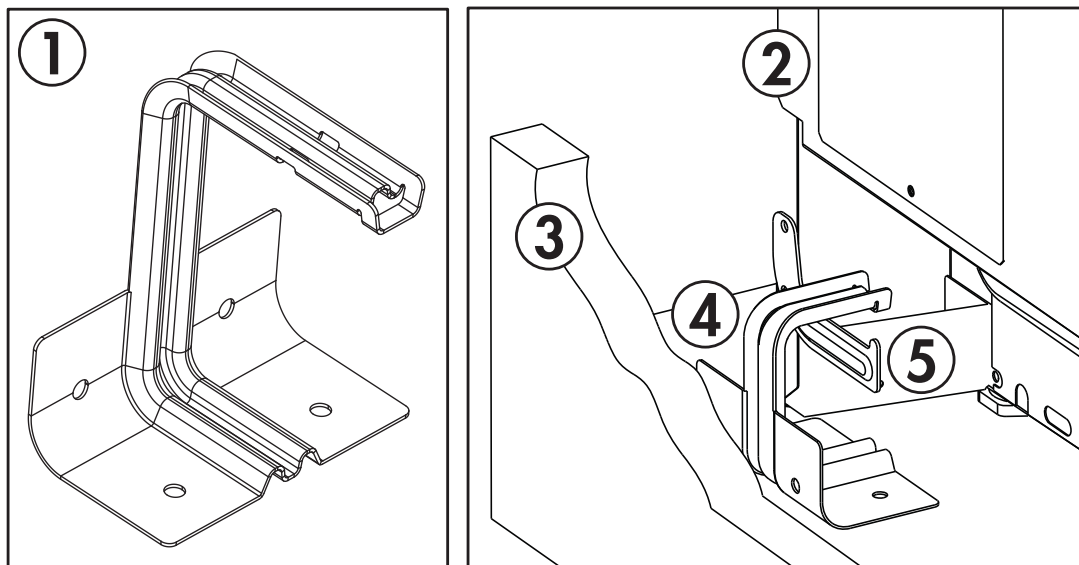
AVERTISSEMENT - RISQUE DE BASCULEMENT

Un enfant ou un adulte peut faire basculer l'appareil et être tué. Vérifiez que le support anti-renversement a été correctement installé et engagé sur le sol ou le mur. Assurez-vous que le support anti-bascule est réengagé lorsque vous déplacez la cuisinière en faisant glisser le bras anti-basculement sous le support. Ne pas utiliser la cuisinière sans le support anti-basculement en place et engagé. Le non-respect de ces instructions peut entraîner la mort ou de graves brûlures chez les enfants ou les adultes.

SUPPORT ANTI-BASCULEMENT

Pour réduire le risque de basculement de l'appareil, un support anti-basculement doit être installé avant de faire fonctionner l'appareil. Voir les instructions d'installation livrées avec le support pour plus de détails.

1. Support anti-bascule
2. Panneau latéral droit
3. Paroi arrière
4. Support anti-bascule
5. Bras anti-bascule



Pour vérifier si le support est installé et engagé correctement, regardez sous la cuisinière pour voir que le bras anti-basculement attaché au panneau latéral droit est engagé sur le support. Sur certains modèles, le tiroir de rangement ou le panneau de protection peut être retiré pour faciliter l'inspection.

Si l'inspection visuelle n'est pas possible, faites glisser la cuisinière vers l'avant, vérifiez que le support anti-renversement est fermement fixé au sol ou au mur et faites glisser la cuisinière pour que le bras anti-basculement glisse sous le support anti-bascule. Si la portée est retirée du mur pour une raison quelconque, répétez toujours cette procédure pour vérifier que la portée est correctement fixée par le support anti-basculement.

GARDEZ CES INSTRUCTIONS!



Consignes de sécurité importantes

LIRE ET SUIVRE TOUTES LES INSTRUCTIONS DE SÉCURITÉ

EXIGENCES GÉNÉRALES DE SÉCURITÉ

Assurez-vous que l'appareil est correctement installé et mis à la terre par un technicien qualifié.

N'utilisez jamais l'appareil pour chauffer ou chauffer la pièce.

Les enfants ne doivent pas être laissés seuls ou sans surveillance dans la zone d'utilisation de l'appareil. Les enfants ne doivent jamais être autorisés à s'asseoir ou à se tenir debout sur une partie quelconque de l'appareil.

Ne rangez pas d'objets présentant un intérêt pour les enfants dans des armoires situées au-dessus d'une cuisinière ou sur la protection arrière d'une cuisinière. Les enfants grim pant sur la plage pour atteindre des objets pourraient être gravement blessés.

Des vêtements amples ou suspendus ne doivent jamais être portés lors de l'utilisation de l'appareil.

Ne réparez ou ne remplacez aucune pièce de l'appareil à moins que cela ne soit spécifiquement recommandé dans le manuel. Tout autre service doit être confié à un technicien qualifié.

Les matériaux inflammables ne doivent pas être stockés dans ou à proximité de l'appareil.

N'utilisez pas d'eau sur les feux de graisse. Éteuffez le feu ou les flammes ou utilisez un extincteur à poudre ou à mousse.

Utilisez uniquement des porte-pots secs. Des manchons humides ou humides sur des surfaces chaudes peuvent provoquer des brûlures dues à la vapeur. Ne laissez pas le support de pot toucher les éléments chauffants chauds. N'utilisez pas une serviette ou un autre chiffon volumineux.

En cas de coupure de courant sur une table de cuisson électrique alors qu'un élément de surface est activé, l'élément de surface se rallume dès que le courant est rétabli. En cas de panne de courant, le fait de ne pas mettre tous les boutons de surface en position OFF peut provoquer l'inflammation des objets sur la table de cuisson ou à proximité de celle-ci, entraînant des blessures graves ou la mort.

Pour éviter le risque de brûlure ou de choc électrique, assurez-vous toujours que les commandes de tous les éléments de surface sont en position OFF et que toutes les bobines sont froides avant d'essayer de soulever ou de retirer un élément de cuisson.

EXIGENCES DE SÉCURITÉ POUR LA TABLE DE CUISSON

Utilisez la taille de casserole appropriée. Cet appareil est équipé de quatre brûleurs de tailles différentes. Sélectionnez des ustensiles dont le fond plat est suffisamment large pour couvrir la surface de l'élément chauffant. L'utilisation d'ustensiles trop petits exposera une partie de l'élément chauffant à un contact direct et pourrait provoquer l'inflammation des vêtements. Une bonne relation entre l'ustensile et le brûleur améliorera également l'efficacité.

Ne laissez jamais l'appareil sans surveillance pendant son utilisation. Faire bouillir provoque le tabagisme et les déversements de graisse peuvent s'enflammer.

Ne laissez jamais d'huile sans surveillance pendant la friture. Si on la laisse chauffer au-delà de son point de consommation, l'huile peut s'enflammer et provoquer un incendie pouvant se propager aux armoires environnantes. Utilisez un thermomètre à graisse profonde chaque fois que possible pour surveiller la température de l'huile.

Pour éviter les débordements d'huile et les incendies, utilisez une quantité minimale d'huile lorsque vous faites frire des aliments peu profonds et évitez de cuire des aliments surgelés avec des quantités excessives de glace.

Assurez-vous que les casseroles à réflecteur ou les cuvettes sont en place. L'absence de ces casseroles ou de ces cuvettes pendant la cuisson peut endommager le câblage ou les composants.

N'utilisez pas de papier d'aluminium pour recouvrir les cuvettes ou les fonds de cuisson, sauf si cela est suggéré dans le manuel. Une installation incorrecte de ces revêtements peut entraîner un risque d'électrocution ou d'incendie.

Seuls certains types de verre, de céramique, de faïence ou d'autres ustensiles émaillés conviennent à un service haut de gamme sans rupture en raison d'un changement soudain de température.

Pour réduire les risques de brûlures, d'inflammation de matériaux inflammables et de déversement dû à un contact involontaire, le manche d'un ustensile doit être placé de manière à ce qu'il soit tourné vers l'intérieur et ne s'étende pas sur les brûleurs adjacents.

Les éléments chauffants amovibles ne doivent jamais être immergés dans l'eau.

GARDEZ CES INSTRUCTIONS!



Consignes de sécurité importantes

LIRE ET SUIVRE TOUTES LES INSTRUCTIONS DE SÉCURITÉ

EXIGENCES DE SÉCURITÉ DU FOUR

Faites attention lorsque vous ouvrez la porte. Laissez l'air chaud ou la vapeur s'échapper avant de retirer ou de remplacer les aliments.

Ne pas chauffer les contenants alimentaires non ouverts. L'accumulation de pression peut faire éclater le contenant et causer des blessures.

Gardez les événements de four sans obstruction.

Placez toujours les grilles du four à l'endroit désiré lorsque le four est froid. Si la grille doit être déplacée pendant que le four est chaud, ne laissez pas le support de pot entrer en contact avec l'élément chauffant chaud du four.

Tirez la grille du four en position d'arrêt lors du chargement et du déchargement des aliments du four. Cela permet d'éviter les brûlures en touchant les surfaces chaudes de la porte et des parois du four.

Ne pas utiliser le four si un élément chauffant développe un point lumineux pendant l'utilisation ou montre d'autres signes de dommages. Un point lumineux indique que l'élément chauffant peut tomber en panne et présenter un risque potentiel de brûlure, d'incendie ou de choc. Éteignez immédiatement le four et faites remplacer l'élément chauffant par un technicien qualifié.

NE TOUCHEZ PAS LES ÉLÉMENTS CHAUFFANTS OU LES ZONES À PROXIMITÉ

Les éléments chauffants à la surface ou à l'intérieur de l'appareil peuvent être chauds même s'ils sont de couleur sombre. Les zones proches des éléments chauffants peuvent devenir suffisamment chaudes pour provoquer des brûlures. Pendant et après utilisation, ne pas toucher ou laisser les vêtements ou autres matériaux inflammables entrer en contact avec les éléments chauffants ou les zones proches de ceux-ci jusqu'à ce qu'ils aient suffisamment refroidi. Les surfaces de l'appareil peuvent devenir suffisamment chaudes pour causer des brûlures, notamment les ouvertures et les surfaces de ventilation situées à proximité de ces ouvertures, les portes du four et les fenêtres du four.

AVERTISSEMENT - EN CAS D'INCENDIE

En cas d'incendie, ne ramassez jamais une casserole ou une casserole enflammée. Éteignez le brûleur si vous pouvez le faire en toute sécurité. Éteindre le feu avec un extincteur à poudre ou à mousse.

N'utilisez pas d'eau sur les feux de graisse. L'eau va répandre la graisse et n'éteindra pas le feu. Éteignez le feu avec un couvercle à couvercle étanche, une plaque à biscuits ou un plateau plat ou utilisez un extincteur à poudre ou à mousse.

S'il y a un feu dans le four pendant la cuisson, étouffez le feu en fermant la porte du four et en éteignant le four ou utilisez un extincteur à poudre ou à mousse.

ATTENTION

Pour réduire les risques de brûlures, ne déplacez pas cet appareil lorsqu'il est chaud. Pour réduire le risque de blessure dû au basculement de l'appareil, vérifiez la réinstallation de cet appareil dans le dispositif anti-bascule fourni et verrouillez les roulettes après avoir remis l'appareil dans sa position d'origine.

GARDEZ CES INSTRUCTIONS!

INSTRUCTIONS D'INSTALLATION

AVANT DE COMMENCER

Conservez ces instructions pour référence ultérieure.

L'installation de cet appareil nécessite des compétences mécaniques de base et environ 1 à 3 heures de temps.

L'installation est la responsabilité de l'installateur. Une défaillance du produit due à une installation incorrecte est couverte par la garantie.

Avant de commencer l'installation, éteignez le panneau de service et verrouillez les moyens de déconnexion du service pour empêcher toute mise sous tension accidentelle. Si le dispositif de déconnexion de service ne peut pas être verrouillé, fixez de manière sécurisée un dispositif d'avertissement tel qu'une étiquette au panneau de service.

Assurez-vous que l'appareil et la prise qu'il utilisera sont correctement installés et mis à la terre par un technicien qualifié.

AVERTISSEMENT - Une mauvaise utilisation de la prise de terre peut entraîner un risque de choc électrique. Consulter un électricien qualifié ou un agent de service si les instructions de mise à la terre ne sont pas complètement comprises ou en cas de doute sur la mise à la terre de l'appareil.

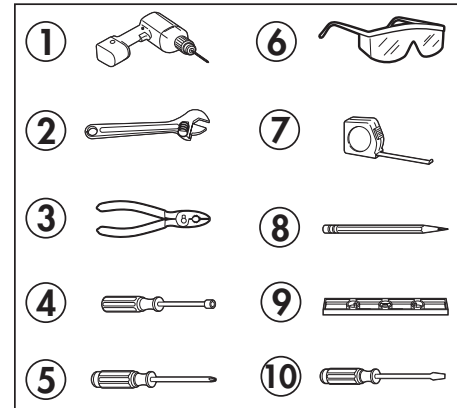
Ne connectez pas votre appareil à des rallonges ou à un autre appareil dans la même prise murale. Ne pas épaisser le cordon d'alimentation. Ne coupez ou ne retirez en aucun cas la troisième broche de terre du cordon d'alimentation. N'utilisez pas de rallonges ou d'adaptateurs non mis à la terre (deux broches).

Si le cordon d'alimentation est endommagé, il doit être remplacé par le fabricant, son agent de service ou une personne qualifiée similaire afin d'éviter tout danger.

Retirez tous les matériaux d'emballage avant l'installation.

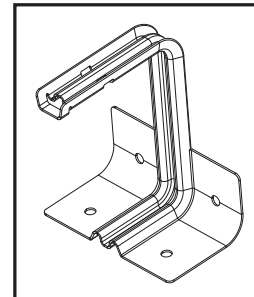
OUTILS REQUIS

1. Percer avec une mèche de 1/8"
2. Clé à molette
3. Pincettes
4. 1/4" écrou conducteur
5. Tournevis cruciforme
6. Lunettes de protection
7. Mètre à ruban
8. Crayon
9. Niveau
10. Tournevis à lame plate



PIÈCES INCLUSES

1. Support anti-bascule



NIVEAU DE L'APPAREIL

Assurez-vous que l'appareil est correctement nivelé pour assurer une cuisson uniforme. Les pieds de nivellement sont situés à chaque coin de l'appareil.

1. Tournez les jambes dans le sens contraire des aiguilles d'une montre jusqu'à ce qu'elles touchent le fond de l'armoire.
2. Tournez lentement les jambes dans le sens des aiguilles d'une montre jusqu'à ce que l'appareil soit à niveau.
3. Utilisez un niveau à bulle ou une tasse à mesurer à moitié remplie d'eau pour vérifier si l'appareil est à niveau.

INSTRUCTIONS D'INSTALLATION

PREPARER L'OUVERTURE

Toutes les dimensions brutes et d'espacement doivent être respectées pour une utilisation en toute sécurité de l'appareil. L'électricité de la cuisinière peut être débranchée à la prise sans déplacer la cuisinière en retirant le tiroir inférieur si la prise se trouve à l'endroit souhaité.

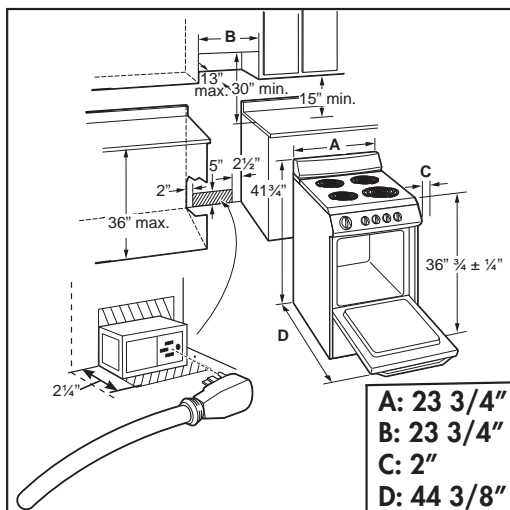
Pour réduire le risque de brûlure ou d'incendie en atteignant des éléments de surface chauds, il convient d'éviter l'espace de rangement au-dessus de la table de cuisson. Si les armoires sont présentes au-dessus de la fourchette, il est possible de réduire les risques en installant une hotte de cuisinière qui dépasse d'au moins 5 pouces de l'avant des armoires. Les armoires installées au-dessus d'une table de cuisson ne doivent pas dépasser 13 pouces.

Assurez-vous que les armoires et les revêtements muraux autour de la cuisinière peuvent résister aux températures générées par la cuisinière.

Laissez 2 pouces d'espace entre la cuisinière et les murs verticaux adjacents au-dessus de la surface de la table de cuisson.

Prévoyez un espace minimum de 30 pouces entre les éléments de surface et le fond des armoires supérieures non protégées en bois ou en métal et de 15 pouces minimum entre le comptoir et le fond de l'armoire adjacent.

La gamme est lourde et peut s'installer dans des revêtements de sol souples tels que le vinyle ou la moquette. Lors de l'installation de la cuisinière sur ce type de revêtement de sol, il convient de l'installer sur une feuille de contreplaqué de 1/4 pouce d'épaisseur ou d'un matériau similaire.



EXIGENCES ÉLECTRIQUES

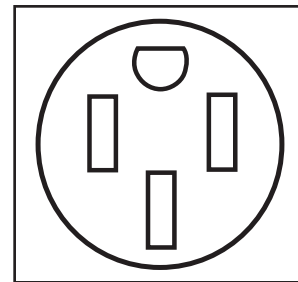
Cet appareil doit être alimenté avec la tension et la fréquence appropriées et raccordé à un circuit de dérivation individuel correctement mis à la terre, protégé par un disjoncteur ou un fusible présentant un ampérage, comme indiqué sur la plaque signalétique. La plaque signalétique est située sous la table de cuisson.

Nous vous recommandons de connecter le câblage électrique et le raccordement de votre gamme à un électricien qualifié. Après l'installation, demandez à l'électricien de vous montrer où se trouve votre sectionneur principal.

Consultez les services publics locaux pour connaître les codes électriques applicables dans votre région. Ne pas câbler votre four conformément aux codes en vigueur peut entraîner des conditions dangereuses. S'il n'y a pas de codes locaux, votre gamme doit être câblée et fusionnée pour répondre aux exigences de la norme CSA C22.1, Code canadien de l'électricité, partie 1 - dernière édition.

Vous pouvez en obtenir une copie auprès de: Association canadienne de normalisation, 178, boul. Rexdale, Toronto, ON, M9W 1R3, CANADA.

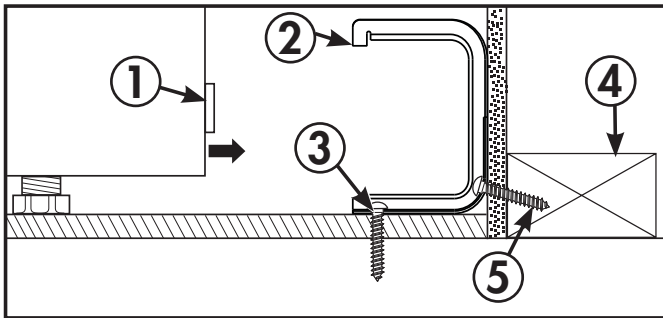
Cette gamme est équipée d'un cordon d'alimentation certifié CSA International destiné à être branché dans une prise murale standard 14-50R. Assurez-vous que la prise murale est à la portée de l'emplacement final de la cuisinière.



INSTRUCTIONS D'INSTALLATION

INSTALLATION DE SUPPORT ANTIBASCULEMENT

1. Bras anti-bascule à l'arrière de l'appareil
2. Support anti-bascule
3. La vis doit entrer dans le bois ou le béton
4. Seuil de mur
5. La vis doit entrer dans le bois



Pour réduire le risque de basculement de l'appareil, le support anti-bascule doit être installé avant le fonctionnement.

Remarque: L'installation du support anti-renversement doit respecter tous les codes locaux pour la sécurité de l'appareil.

Le support anti-bascule doit être fixé à la paroi arrière ou au sol et doit être placé de manière à ce qu'il surplombe le bras anti-bascule à l'arrière de l'appareil.

Installation du mur arrière

Utilisez les deux vis fournies pour fixer le support au mur arrière. Les vis doivent entrer dans une plaque de seuil en bois. Si le mur contient des goujons métalliques ou des matériaux similaires, ou si l'arrière de l'appareil ne peut pas atteindre le mur arrière, l'installation du sol doit être utilisée.

Installation au plancher

Plancher de bois: Utilisez les deux vis fournies pour fixer le support au sol.

Plancher en béton:

1. Marquez l'emplacement où les vis doivent être installées.
2. Utilisez une perceuse électrique et une mèche de béton pour percer un trou pilote de 5/32 pouce de 2 pouces de profondeur dans le béton au centre de chacun des emplacements marqués.
3. Utilisez les deux vis fournies pour fixer le support au sol.

Vérifiez l'installation

Après avoir installé le support, faites glisser l'appareil dans son emplacement final. Regardez sous l'appareil et assurez-vous que le bras anti-renversement attaché au panneau latéral de l'appareil est en prise avec le support.

INSTRUCTIONS D'INSTALLATION

COMMANDES DE CUISSON DE SURFACE

Les éléments chauffants de surface de l'appareil sont conçus pour différents réglages de chaleur.

Aux positions HI et LO, il y a de légères indentations et le bouton cliquera en place dans ces positions. HI indique le réglage le plus élevé. LO indique le réglage le plus bas.

Un bruit de cliquetis peut être entendu par l'appareil pendant son utilisation. Ceci est normal et indique que le réglage de chaleur sélectionné est maintenu.

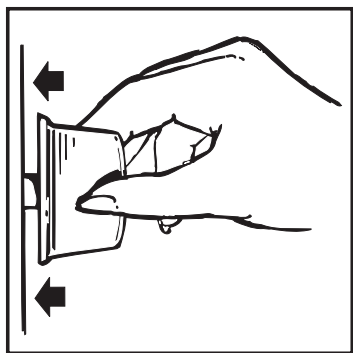
Le passage à un réglage de chaleur plus élevé se fera plus rapidement que le passage à un réglage de chaleur plus faible car il faudra du temps pour que la chaleur se dissipe.

REGLAGE DES COMMANDES

1. Poussez le bouton de commande vers l'intérieur.
2. Tournez au réglage de chaleur désiré.

Il suffit d'appuyer sur le bouton pour sortir de la position "OFF". Lorsque le bouton est dans une position autre que "OFF", il peut être tourné sans pousser.

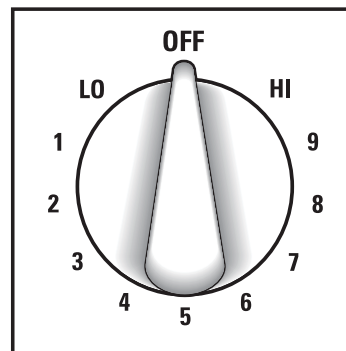
Assurez-vous que l'élément est éteint lorsque la cuisson est terminée. Un voyant s'allume lorsqu'un élément chauffant est activé.



GUIDE DE RÉGLAGE DE LA CHALEUR

- HI - Démarrage rapide pour la cuisine; amener de l'eau à ébullition
- HAUT MOYEN - Friture rapide; griller le plat; maintenir une ébullition rapide sur une grande quantité de nourriture
- MED - Sauté et brun; maintenir une ébullition lente sur une grande quantité de nourriture
- MOYEN BAS - Céréales; maintenir la température de service de la plupart des aliments
- LO - Faire cuire après avoir commencé à HI; cuire avec un peu d'eau dans une casserole couverte; utiliser pour cuire du riz à la vapeur; faire fondre du chocolat ou du beurre

Ne laissez jamais des aliments sans surveillance pendant la cuisson. Les débordements provoquent le tabagisme. Les déversements de graisse peuvent prendre feu.



CONSEILS DE CUISSON DE SURFACE

Utilisez des ustensiles de cuisine moyens ou lourds. Les ustensiles de cuisson en aluminium conduisent la chaleur plus rapidement que les autres métaux. Les ustensiles de cuisson en fonte et en fonte revêtus sont lents à absorber la chaleur, mais cuisent généralement uniformément à des températures faibles ou moyennes. Les casseroles en acier peuvent cuire de manière inégale si elles ne sont pas combinées avec d'autres métaux.

Ne remplissez pas trop les ustensiles de cuisine avec des matières grasses qui pourraient se renverser lors de l'ajout d'aliments. Les aliments givrés bouillonnent vigoureusement. Regardez des aliments frire à haute température. Gardez la cuisinière et la hotte propres de la graisse accumulée.

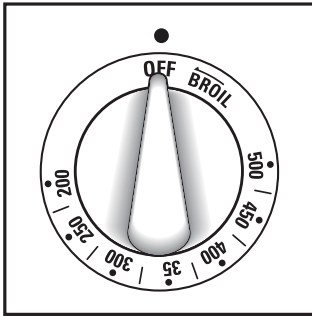
Pour conserver la plus grande énergie de cuisson, les casseroles doivent être à plat sur le fond, avoir des côtés droits et des couvercles bien ajustés. Faites correspondre la taille de la casserole à la taille de l'élément de surface. Une casserole dépassant de plus de 2 cm le bord du bac collecteur retient la chaleur, ce qui provoque des "craquelures" (fines fissures) sur la porcelaine et une décoloration allant du bleu au gris foncé sur les bacs d'égouttement en chrome.

CONSIGNES D'UTILISATION

COMMANDES DE CUISSON AU FOUR

Pour utiliser le four, tournez le bouton de température du four sur la température de cuisson souhaitée. Le bouton du four est marqué par incréments de 25 degrés, de 200°F à BROIL.

La lumière du four s'allume jusqu'à ce que le four atteigne la température sélectionnée puis s'éteint. Pendant la cuisson, la lumière s'allume chaque fois que le four doit ajouter plus de chaleur pour maintenir la température sélectionnée.



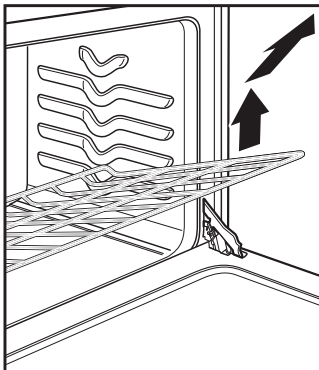
ÉTAGÈRES DU FOUR

Les tablettes du four sont conçues avec des butées d'arrêt de sorte qu'elles s'arrêtent correctement lorsqu'elles sont placées sur les supports des tablettes et qu'elles ne s'inclinent pas lorsque les aliments sont retirés ou ajoutés.

Pour retirer les étagères du four, tirez l'étagère vers l'extérieur, inclinez l'extrémité avant vers le haut et retirez-la.

Pour remplacer les étagères, placez l'étagère sur le support, les butées étant orientées vers le haut et vers l'arrière du four. Inclinez la partie avant et poussez la tablette vers l'arrière du four jusqu'à ce qu'elle dépasse la bosse sur le support d'étagère, puis abaissez l'avant de la tablette et poussez-la complètement dans le four.

Le four dispose de quatre positions de support différentes pour répondre aux différentes exigences de cuisson.



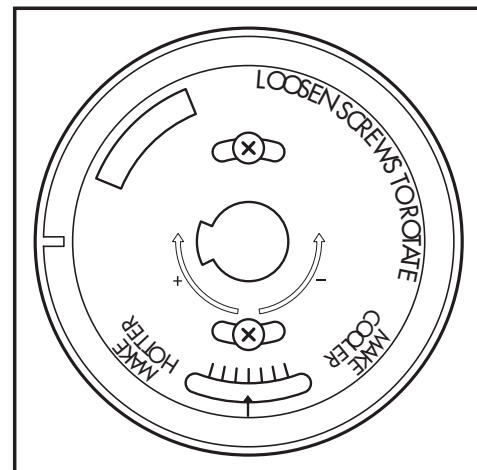
RÉGLER LE THERMOSTAT DU FOUR

Vous pouvez constater que le nouveau four cuit différemment de celui qu'il a remplacé. Utilisez le nouveau four pendant quelques semaines pour vous familiariser avec celui-ci. Si vous trouvez toujours que le four est trop chaud ou trop froid, vous pouvez régler le thermostat.

N'utilisez pas de thermomètres, comme ceux que l'on trouve dans les épiceries pour vérifier la température du four. Ils ne sont pas calibrés pour des températures élevées et peuvent varier de 20 à 40 degrés.

Ce réglage n'affecte pas les températures de grillage. Le réglage sera conservé après une panne de courant.

1. Retirez le bouton de température du four de la cuisinière et regardez-le à l'arrière. Pour effectuer un réglage, desserrez d'un tour les deux vis à l'arrière du bouton. Ne pas enlever complètement les vis.
2. Avec le dos du bouton face à vous, tenez le bord extérieur du bouton avec une main et tournez le devant du bouton avec l'autre main.
3. Pour augmenter la température du four, déplacez la vis supérieure vers la droite.
4. Pour diminuer la température du four, déplacez la vis supérieure vers la gauche.
5. Vous entendrez un clic pour chaque encoche que vous déplacez le bouton. Chaque clic changera la température du four d'environ 10 ° F. La plage est de plus ou moins 60 ° F par rapport à la flèche. Nous vous suggérons de régler la température en un clic, puis de tester les performances du four avant de procéder à un ajustement supplémentaire.
6. Une fois le réglage effectué, resserrez les vis afin qu'elles soient bien serrées. Veillez à ne pas trop serrer.
7. Remplacez le bouton en faisant correspondre la surface plate du bouton à l'arbre.



INSTRUCTIONS D'INSTALLATION

FOUR CUISSON ET RÔTISSAGE

1. Placez les étagères dans le four. Si vous cuisinez sur deux étagères en même temps, échelonnez les casseroles pour une meilleure circulation de la chaleur.
2. Fermez la porte du four. Tournez le bouton de température du four à la température souhaitée.
3. Placez la nourriture au centre de l'étagère du four. Laissez au moins 2 pouces entre l'extrémité de la casserole et la paroi du four ou des casseroles adjacentes.
4. Vérifiez la nourriture régulièrement. Retirez une fois terminé et assurez-vous que le four est éteint.

POSITIONS DE TABLETTE

- La plus grande partie de la cuisson se fait à la deuxième ou à la troisième position depuis le bas du four.
- Lors de la cuisson de plusieurs articles, utilisez deux étagères placées sur le deuxième et le quatrième support du bas du four.
- Cuire les gâteaux de nourriture pour anges sur la première position du bas du four.
- La torréfaction se fait généralement en position basse.
- Si le préchauffage est nécessaire, observez la lumière du four et placez les aliments dans le four une fois la lumière éteinte. La lampe du four s'allume et s'éteint avec le thermostat du four pour maintenir une température constante.

CONSEILS DE CUISSON ET DE RÔTISSAGE

- Suivez une recette testée et mesurez soigneusement les ingrédients. Si vous utilisez un emballage, suivez les instructions de l'étiquette.
- N'ouvrez pas la porte du four pendant la cuisson ou le rôtissage. La chaleur sera perdue et le temps de cuisson devra être prolongé. Si vous devez ouvrir la porte, ouvrez-la partiellement et fermez-la le plus rapidement possible.
- La torréfaction est la cuisson à la chaleur sèche. Des viandes tendres ou de la volaille peuvent être grillées à découvert. Les températures de rôtissage, qui doivent être faibles et stables, permettent de minimiser les éclaboussures. Lors de la torréfaction, il n'est pas nécessaire de saisir, arroser, couvrir ou ajouter de l'eau à la viande.
- Les rôtis de viande congelés peuvent être cuits sans décongélation, mais prévoir 10 à 25 minutes de temps supplémentaire par livre de viande (10 minutes par livre pour les rôtis de moins de 5 livres, plus de temps pour les gros rôtis).
- Décongeler les volailles congelées avant de les faire rôtir pour assurer une cuisson uniforme. Certaines volailles congelées commerciales peuvent être cuites avec succès sans décongélation. Suivez les instructions données sur l'étiquette de l'emballage.

CUISSON AU FOUR

La cuisson au grill implique la cuisson des aliments par la chaleur radiante intense de l'élément supérieur du four. La plupart des poissons et des coupes tendres de viande peuvent être bouillies. Suivez ces étapes pour minimiser les éclaboussures et le tabagisme.

1. Si la viande a de la graisse ou du cartilage autour du bord, coupez les barres verticales à environ 2 po d'intervalle. Si désiré, le gras peut être coupé, laissant une couche d'environ 1/8" d'épaisseur.
2. Placez la viande sur une grille de grill dans une lèchefrite conçue pour la cuisson au grill. Utilisez toujours la grille pour que la graisse tombe dans la lèchefrite; sinon les jus peuvent devenir assez chauds pour prendre feu.
3. Placez l'étagère dans l'une des deux positions supérieures pour la plupart des grills.
4. Placez la nourriture dans le four et fermez la porte. Toujours griller avec la porte fermée.
5. Tournez le bouton de température du four sur BROIL.
6. Si nécessaire, les aliments peuvent être retournés pendant la cuisson au grill. Faites attention à l'air chaud ou à la vapeur lors de l'ouverture de la porte du four.
7. Assurez-vous que le bouton de température du four est sur OFF une fois la cuisson terminée.

CONSEILS DE CUISSON

- Si désiré, faire mariner les viandes ou le poulet avant de les faire griller ou les badigeonner de sauce barbecue au cours des 5 à 10 dernières minutes de cuisson.
- Lors de la préparation des aliments sur une casserole, ne laissez pas les bords gras pendre sur les côtés, car la graisse qui tombe dégouttera le four pendant la cuisson.

ELEMENTS DE SURFACE

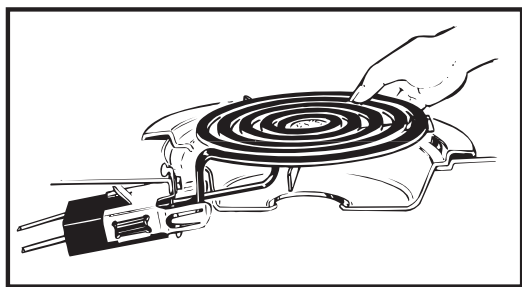
Pour nettoyer les éléments chauffants de surface, tournez le bouton de réglage de la température au maximum pendant une minute; Cela va brûler tous les résidus alimentaires. Notez que cela pourrait provoquer de la fumée, il est conseillé d'ouvrir une fenêtre ou d'allumer un ventilateur pour éviter la formation de fumée.

Ne pas immerger les éléments chauffants dans des liquides d'aucune sorte. Ne mettez pas d'éléments chauffants dans un lave-vaisselle.

Pour retirer les égouttoirs pour les nettoyer, commencez par retirer les éléments chauffants. Assurez-vous que les éléments sont froids avant de les toucher.

Soulevez l'élément d'environ 1 pouce au-dessus du bac d'égouttage et tirez pour le retirer. Ne pas soulever l'élément de plus de 1 pouce car cela pourrait tordre les composants internes et l'élément pourrait ne pas rester à plat lorsqu'il est remplacé.

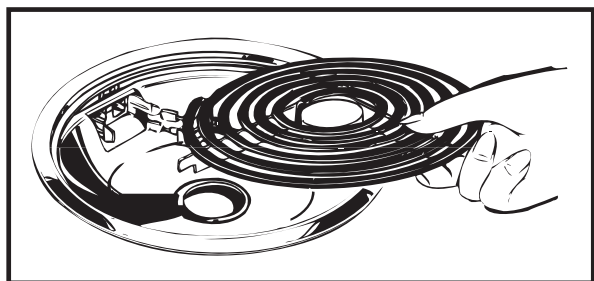
Retirez le bac d'égouttage et nettoyez-le si nécessaire. Les égouttoirs peuvent être nettoyés au lave-vaisselle ou à la main.



Une fois le nettoyage terminé, remplacez le bac d'égouttage dans le renfoncement de la table de cuisson. Assurez-vous que l'ouverture de la casserole est alignée avec le réceptacle.

Insérez les bornes sur l'élément chauffant à travers l'ouverture du bac d'égouttage et dans le réceptacle. Guidez l'élément en place doucement afin qu'il repose uniformément.

N'essayez pas de nettoyer, d'ajuster ou de réparer les réceptacles de quelque manière que ce soit.



NETTOYAGE

Table de cuisson en porcelaine émaillée

La finition en émail de porcelaine sur la table de cuisson est robuste mais peut être endommagée si elle est mal utilisée. Tous les aliments acides, tels que les jus de fruits, les tomates ou le vinaigre, ne doivent pas rester sur le fini pendant un certain temps.

Soulever la table de cuisson

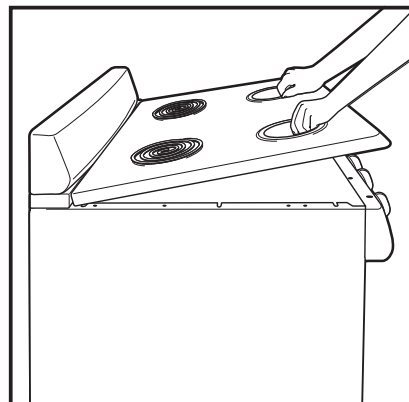
La table de cuisson peut être soulevée pour que la zone en dessous puisse être nettoyée. Les déversements qui débordent les bacs d'égouttement, en particulier la graisse, doivent être nettoyés pour éviter l'accumulation et la possibilité de fumer ou d'inflammer.

Assurez-vous que les éléments chauffants sont éteints et refroidissent avant de soulever la table de cuisson.

Retirez les éléments chauffants et les égouttoirs.

Soulevez la table de cuisson et maintenez-la ouverte avec la tige interne pour faciliter le nettoyage. Cette zone peut être nettoyée avec de l'eau chaude savonneuse et un chiffon propre.

Une fois terminé, remplacez la tige de propulsion interne dans sa position initiale et abaissez la table de cuisson jusqu'à ce qu'elle se mette en place. Veillez à ne pas vous pincer les doigts. Remplacez les bacs d'égouttage et les éléments chauffants.



Intérieur du four en porcelaine

Avec un entretien approprié, l'intérieur en émail de porcelaine conservera son fini pendant de nombreuses années.

Le savon et l'eau peuvent être utilisés pour nettoyer l'intérieur. De fortes éclaboussures ou des déversements peuvent nécessiter un nettoyage avec un nettoyant abrasif doux.

Ne laissez pas les déversements à forte teneur en acide tels que le lait, les tomates, les jus de fruits ou les garnitures de tarte sur la surface. Ils peuvent causer des taches ternes, même après le nettoyage.

L'ammoniac domestique peut faciliter le nettoyage. Placer 1/2 tasse d'ammoniac dans une casserole en verre peu profonde et laisser dans un four froid pendant la nuit. Les vapeurs d'ammoniac aideront à desserrer les graisses et les aliments.

Précautions à prendre lors de l'utilisation de nettoyants à four pulvérisés

Ne pulvérisez pas de nettoyant pour four sur les commandes électriques et les interrupteurs, car cela pourrait causer un court-circuit et provoquer des étincelles ou un incendie.

Ne pas vaporiser le nettoyant pour four directement sur les éléments chauffants du four.

Ne laissez pas un film du nettoyant du four rester sur le capteur de température car cela pourrait provoquer une chaleur incorrecte du four. Le capteur est situé sur le dessus du four. Essuyez soigneusement l'ampoule après chaque nettoyage du four, en veillant à ne pas déplacer le capteur car un changement de position pourrait affecter la cuisson du four.

Ne vaporisez pas de nettoyant pour four à l'extérieur de la porte du four, des poignées ou de toute surface extérieure du four, de l'armoire ou des surfaces peintes. Le nettoyeur peut endommager ces surfaces.

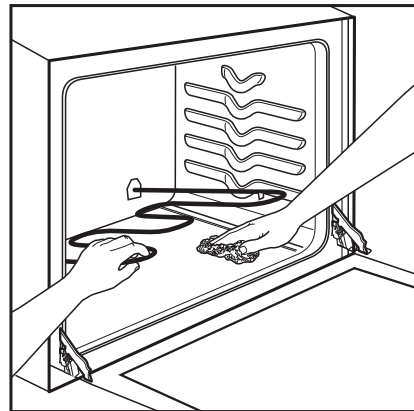
Étagères de four

Nettoyez les étagères avec un nettoyant abrasif ou de la laine d'acier. Après le nettoyage, rincez les étagères avec de l'eau propre et séchez avec un chiffon propre.

Éléments chauffants du four

Ne nettoyez pas l'élément de cuisson ou l'élément de grill. Tout résidu de nourriture va brûler lorsque les éléments sont chauffés.

L'élément de cuisson peut être doucement soulevé pour nettoyer le plancher du four. Assurez-vous que l'élément est froid avant de le nettoyer.



Boutons de commande

Les boutons de commande peuvent être retirés pour faciliter le nettoyage. Assurez-vous que les boutons sont en position "OFF" et retirez-les directement des tiges pour les nettoyer.

Les boutons peuvent être nettoyés au lave-vaisselle ou à la main. Assurez-vous que l'intérieur des boutons est sec avant de le replacer sur l'appareil.

Surfaces peintes

Les surfaces peintes comprennent les côtés, le panneau de commande, la porte et la plaque de protection. Nettoyez-les avec du savon et de l'eau ou une solution de vinaigre et d'eau.

N'utilisez pas de produits de nettoyage commerciaux, de poudres nettoyantes, de laine d'acier ou de produits abrasifs sur les surfaces peintes.

La porte du four amovible

La porte du four est amovible mais lourde. Il est recommandé qu'au moins deux personnes travaillent ensemble pour le supprimer.

Pour enlever la porte:

1. Ouvrez la porte en position complètement ouverte.
2. Tirez sur les charnières des deux côtés pour les verrouiller.
3. Saisissez fermement la porte des deux côtés, soulevez-la légèrement et retirez-la directement du four.

Pour remplacer la porte:

1. Saisissez fermement les deux côtés de la porte en haut.
2. Insérez et placez les bras de charnière supérieur et inférieur dans les fentes du four.
3. Poussez les charnières des charnières.
4. Fermez la porte du four et assurez-vous qu'elle fonctionne correctement. S'il semble irrégulier ou ne se ferme pas complètement, retirez-le à nouveau et répétez les étapes pour le remplacer.

Remarque: N'essayez pas de fermer la porte tant qu'elle n'est pas correctement installée. Les charnières pourraient être endommagées.

Fenêtre en verre dans la porte

Pour nettoyer l'extérieur de la vitre, utilisez un nettoyeur à vitre. Rincer et polir avec un chiffon sec.

Évitez de rayer ou de heurter la vitre. Cela risquerait de casser le verre.

REPLACEMENT DE LA LUMIÈRE DU FOUR

Important: Avant de remplacer l'ampoule du four, assurez-vous que l'alimentation électrique est débranchée de l'appareil. Ne pas le faire peut entraîner un choc électrique ou une brûlure. Veillez à laisser le couvercle et l'ampoule refroidir complètement avant de les remplacer.

L'ampoule du four est recouverte d'un couvercle en verre amovible qui est maintenu en place par un fil en forme de bélière. Retirer la porte du four peut faciliter ce processus.

Pour enlever le cache lumière:

1. Tenez une main sous le couvercle de la lampe pour qu'elle ne tombe pas lorsqu'elle est relâchée.
2. Avec les doigts de la même main, repoussez fermement le porte-cache-fil. Soulevez le couvercle. Ne retirez aucune vis pour retirer le couvercle.
3. Ne touchez pas l'ampoule avec un chiffon humide. Remplacez l'ampoule par une ampoule de 40 watts.

Pour remplacer le couvercle de la lumière:

1. Placez le couvercle de la lampe dans la rainure du réceptacle de la lumière.
2. Tirez le fil vers le centre du couvercle jusqu'à ce qu'il s'enclenche. Assurez-vous que le fil est dans la dépression au centre du couvercle de la lampe.

DÉPANNAGE

Danby soins du consommateur : 1-800-263-2629

Heures d'ouverture :

Du lundi au jeudi, de 8 h 30 à 18 h, heure de l'Est

Vendredi, de 8 h 30 à 16 h, heure de l'Est

Les informations contenues dans ce manuel sont sujettes à modification sans préavis.

PROBLÈME	CAUSE POSSIBLE
Aucune puissance	<ul style="list-style-type: none">• Un fusible peut être grillé ou le disjoncteur déclenché• Fiche pas complètement insérée dans la prise murale
Les éléments de surface ne fonctionnent pas correctement	<ul style="list-style-type: none">• Les éléments ne sont pas correctement installés• Les contrôles ne sont pas définis correctement• Les égouttoirs ne sont pas bien fixés dans la table de cuisson
Les aliments ne grilent pas correctement	<ul style="list-style-type: none">• La température du four n'est pas correctement réglée• La position de la tablette est trop basse• La batterie de cuisine ne convient pas pour la cuisson au grill• Une feuille d'aluminium est utilisée et bloque le flux d'air
La nourriture ne cuit pas ou ne rôtit pas correctement	<ul style="list-style-type: none">• La température du four n'est pas correctement réglée• La position de la tablette est incorrecte• Le four n'était pas préchauffé• La batterie de cuisine ne convient pas à la cuisson ou à la torréfaction
La lumière du four ne fonctionne pas	<ul style="list-style-type: none">• L'ampoule est lâche• L'interrupteur d'éclairage ne fonctionne pas correctement

GARANTIE LIMITÉE « À DOMICILE »

Cet appareil de qualité est garanti exempt de tout vice de matière première et de fabrication, s'il est utilisé dans les conditions normales recommandées par le fabricant.

Cette garantie n'est offerte qu'à l'acheteur initial de l'appareil vendu par Danby Products Limited (Canada) ou Danby Products Inc. (É.-U.) (ci-après « Danby ») ou par l'un de ses distributeurs agréés et elle ne peut être transférée.

CONDITIONS

Les pièces en plastique sont garanties pendant trente (30) jours seulement à partir de la date de l'achat, sans aucune prolongation prévue.

Premiers 18 mois Pendant les premiers **dix-huit (18) mois**, toutes les pièces fonctionnelles de ce produit qui s'avèrent défectueuses seront réparées ou remplacées, selon le choix du garant, sans frais à l'acheteur initial.

Pour bénéficiaire du service S'adresser au détaillant qui a vendu l'appareil, ou à la station technique agréée de service la plus proche, où les réparations doivent être effectuées par un technicien qualifié. Si les réparations sont effectuées par quiconque autre que la station de service agréée ou à des fins commerciales, toutes les obligations de Danby en vertu de cette garantie seront annulées.

Limites de l'entretien à domicile Danby se réserve le droit de limiter les limites de « Service au domicile » à proximité d'un dépôt de service agréé. Pour tout appareil nécessitant le service hors des limites de "Service à domicile" il sera la responsabilité du consommateur de transporter à ses frais au point d'achat d'origine ou un dépôt de service pour la réparation. Si l'appareil est installé à plus de **100 kilomètres (62 milles)** du centre de service le plus proche, il doit être livré à l'atelier de réparation autorisé par Danby le plus proche, car l'entretien doit uniquement être réalisé par un technicien qualifié et certifié pour effectuer un entretien couvert par la garantie de Danby.

Les frais de transport entre votre domicile et le lieu de l'entretien ne sont pas couverts par la présente garantie et doivent être acquittés par l'acheteur.

Aucune partie de la garantie ne prévoit implicitement que le fabricant sera tenu responsable des dommages subis par les aliments ou d'autres types de contenu, qu'ils soient causés par la défectuosité de l'appareil ou par son usage adéquat ou inadéquat.

EXCLUSIONS

En vertu de la présente, il n'existe aucune autre garantie, condition ou représentation, qu'elle soit exprimée ou tacite, de façon manifeste ou intentionnelle, par Danby ou ses distributeurs agréés. De même, sont exclues toutes les autres garanties, conditions ou représentations, y compris les garanties, conditions ou représentations en vertu de toute loi régissant la vente de produits ou de toute autre législation ou règlement semblable. En vertu de la présente, Danby ne peut être tenue responsable en cas de blessures corporelles ou de dégâts matériels, y compris à l'appareil, quelle qu'en soit la cause. Danby ne peut pas être tenue responsable des dommages indirects dus au fonctionnement défectueux de l'appareil. En achetant l'appareil, l'acheteur accepte de tenir sans reproche et de dégager Danby de toute responsabilité en cas de réclamation pour toute blessure corporelle ou tout dégât matériel causé par cet appareil.

CONDITIONS GÉNÉRALES

La garantie ou assurance ci-dessus ne s'applique pas si les dégâts ou réparations sont dus aux cas suivants :

- 1) Panne de courant.
- 2) Dommages subis pendant le transport ou le déplacement de l'appareil.
- 3) Alimentation électrique incorrecte (tension faible, câblage défectueux, fusibles incorrects).
- 4) Accident, modification, emploi abusif ou incorrect de l'appareil tel qu'une circulation d'air inadéquate dans la pièce ou des conditions de fonctionnement anormales (température extrêmement élevée ou basse).
- 5) Utilisation dans un but commercial ou industriel (à savoir, si l'appareil n'est pas installé dans un domicile résidentiel).
- 6) Incendie, dommages causés par l'eau, le vol, la guerre, une émeute, des hostilités, ou en cas de force majeure (ouragan, inondation, etc.).
- 7) Visites d'un technicien pour expliquer le fonctionnement de l'appareil au propriétaire.
- 8) Installation inappropriée (par exemple, encastrement d'un appareil autoportant, ou utilisation extérieure d'un appareil non conçu à cet effet, y compris, mais sans s'y limiter : les garages, les patios, les porches ou ailleurs, qui ne sont pas correctement isolés ou climatisés).

La preuve de la date d'achat sera requise pour les réclamations de garantie; conserver la facture de vente. Dans le cas où un service de garantie est requis, présentez la preuve d'achat à notre dépôt de service agréé.

Service sous garantie

Service au domicile

Danby Products Limited
PO Box 1778, Guelph, Ontario, Canada N1H 6Z9
Téléphone : (519) 837-0920 Télécopieur : (519) 837-0449

1-800-263-2629

02/18

Danby Products Inc.
PO Box 669, Findlay, Ohio, U.S.A. 45840
Téléphone : (419) 425-8627 Télécopieur : (419) 425-8629

MODEL • MODÈLE

DER244WC
DER244BSSC

DANBY PRODUCTS LIMITED, ONTARIO, CANADA N1H 6Z9
DANBY PRODUCTS INC., FINDLAY, OHIO, USA 45840

Printed in China
Imprimé en Chine