

# Danby®

## OWNER'S MANUAL MANUEL D'UTILISATION

Model • Modèle  
**DWM99W**

### CAUTION:

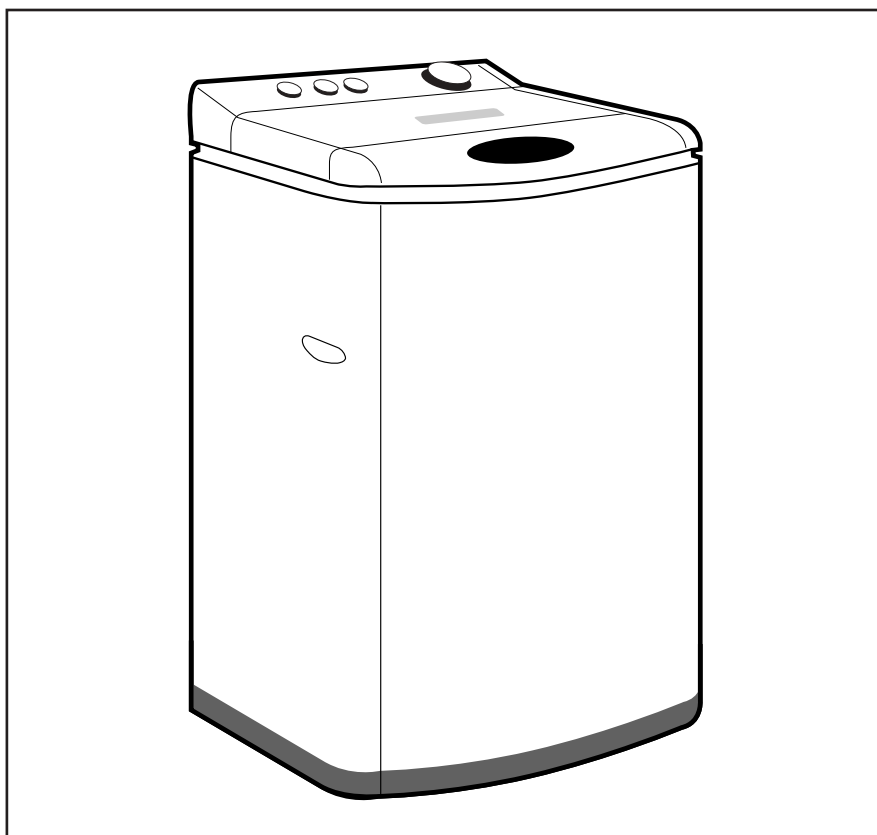
Read and follow all safety rules and operating instructions before first use of this product.

### PRÉCAUTION:

Veuillez lire attentivement les consignes de sécurité et les instructions d'utilisation avant l'utilisation initiale de ce produit.

### PRECAUCIÓN:

Lea y observe todas las reglas de seguridad y las instrucciones de operación antes de usar este producto por primera vez.



# Danby®

## Top Load Washing Machine Instructional Manual

# Danby®

## Laveuse à chargement supérieur Notice d'utilisation

# Danby®

## Lavadora a cargamiento superior Manual de instrucciones

## TABLE OF CONTENTS

Safety Instructions . . . . .	2
Installation Instructions . . . . .	3
Electrical Requirements . . . . .	4
Water Supply Requirements . . . . .	5
Installing the Washer . . . . .	6
Installer Checklist . . . . .	11
Parts Identification . . . . .	12
Control Panel . . . . .	13
Before Washing . . . . .	13
How to Use Your Washer . . . . .	14
General Washing Information . . . . .	15
Special Care Washing Instructions . . . . .	16
User Maintenance Instruction . . . . .	16
Trouble Shooting . . . . .	17
Wiring Diagram . . . . .	17
Warranty . . . . .	18

## INTRODUCTION

Thank you for buying a Danby appliance. Before operating this unit please read and save these instructions.

Model Number: \_\_\_\_\_ Serial Number: \_\_\_\_\_

Date of Purchase: \_\_\_\_\_ Place of Purchase: \_\_\_\_\_

Dealer's Name and Address: \_\_\_\_\_

This information will be required if your unit requires servicing and/or for general inquiries. To contact a Customer Service Representative, call Danby TOLL FREE. **1-800-26- Danby®**

### CAREFULLY READ AND SAVE THESE INSTRUCTIONS

These instructions for use are intended for the user. They describe the appliance and correct installation and operating procedures for safe use.

### NOTE:

This appliance was carefully packed and thoroughly inspected before leaving our factory. Responsibility for its safe delivery was assumed by the carrier upon acceptance of the shipment. Claims for loss or damage sustained during transit must be made directly to the carrier.

## SAFETY INSTRUCTIONS

### SAVE THESE INSTRUCTIONS

1. Please read this instruction manual carefully before operating.
2. Refer to the Grounding Instructions (under electrical requirements) in this manual for the proper grounding of the washer.
3. Do not wash articles that have been previously cleaned in, washed in, soaked in or spotted with gasoline, dry-cleaning solvents, other flammable or explosive substances as they give off vapors that could ignite or explode.
4. Do not allow children to play on or in the washer. Close supervision of children is necessary when the washer is used near children.
5. Do not reach into the washer if the inner tub or agitator is revolving.
6. Do not install or store the washer where it will be exposed to water and/or weather.
7. Do not tamper with the controls.
8. Do not repair or replace any part of the washer, or attempt any servicing unless specifically recommended in the user maintenance instructions trouble shooting guide that you understand and have the skills to carry out.
9. Do not add gasoline, dry-cleaning solvents, or other flammable or explosive substances to the wash water. These substances give off vapors that could ignite or explode.
10. Under certain conditions, hydrogen gas may be produced in a hot water system that has not been used for two weeks or more. **HYDROGEN GAS IS EXPLOSIVE.** If the hot water system has not been used for such a period, before using this washer, turn on all hot water faucets and let the water flow from each for several minutes. This will release any accumulated hydrogen gas. **THIS GAS IS FLAMMABLE, DO NOT SMOKE OR USE AN OPEN FLAME DURING THIS TIME.**
11. Replace worn power cords and/or loose plugs.
12. To reduce the risk of an electric shock or fire, **DO NOT** use an extension cord or an adapter to connect the washer to the electrical power source.
13. Use your washer only for its intended purpose, washing clothes.
14. **ALWAYS** disconnect the washer from electrical supply before attempting any service. Disconnect the power cord by grasping the plug, not the cord.
15. Install the washer according to the **INSTALLATION INSTRUCTIONS.** All connections for water, drain, electrical power and grounding must comply with local codes and be made by licensed personnel when required. Do not do it yourself unless you know how!
16. To reduce the risk of fire, clothes which have traces of any flammable substances such as vegetable oil, cooking oil, machine oil, flammable chemicals, thinner etc. or anything containing wax or chemicals such as in mops and cleaning cloths, must not be put into the washer. These flammable substance may cause the fabric to catch on fire.
17. Do not use fabric softeners or products to eliminate static unless recommended by the manufacturer of the fabric softener or product.
18. Keep your washer in good condition. Bumping or dropping the washer can damage safety features. If this occurs, have your washer checked by a qualified serviceman.
19. Be sure water connections have a shut-off valve and fill hose connections are tight. **CLOSE** the shut-off valves at the end of each wash day.
20. The **LID MUST BE CLOSED** any time the washer is to spin. **DO NOT** by-pass the safety switch by permitting the washer to spin with the lid open. A brake will stop the inner tub within seconds if the lid is opened during spinning. If the inner tub does not stop when the lid is opened, remove the washer from use and call a serviceman.

## SAFETY INSTRUCTIONS CONTINUED

21. Always follow the fabric care instructions supplied by the garment manufacturer.
22. Never operate the washer with any guards and/or panels removed.
23. DO NOT operate the washer with broken or missing parts.
24. DO NOT by-pass any safety devices.
25. Failure to install, maintain, and/or operate this machine according to these instructions may result in conditions which can produce bodily injury and/or property damage.

### **NOTE:**

The WARNING AND IMPORTANT SAFETY INSTRUCTIONS appearing in this manual are not meant to cover all possible conditions and situations that may occur. It must be understood that common sense, caution and carefulness are factors which CANNOT be built into the washer. These factors MUST BE supplied by the person(s) installing, maintaining, or operating the washer.

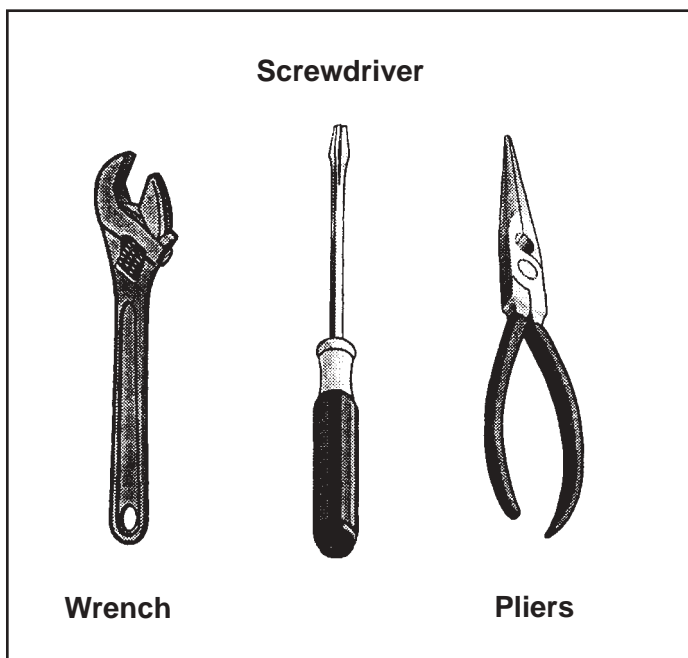
Always contact your dealer, distributor, service agent or the manufacturer about any problems or conditions you do not understand.

## INSTALLATION INSTRUCTIONS

### **BEFORE YOU START**

#### **Tools**

For most installations, the basic tools that you will need are:



#### **Electrical**

The washer needs a 120 V~/60 Hz, polarized three slot effectively grounded receptacle. For more detailed information refer to the Section on Electrical Requirements

#### **Water**

The washer needs standard 3/4 inch water supply faucets with a pressure between 0.02 MPa and .08 MPa. For more detailed information refer to the Water Supply Requirements

#### **Specifications**

- |  |                       |
|--|-----------------------|
| 1. Rated Voltage                                 | 120V~                 |
| 2. Rated Frequency                               | 60Hz                  |
| 3. Rated Current                                 | 2.5A                  |
| 4. Max Washing capacity<br>and Spin dry capacity | 4.0 kg                |
| 5. Enter water pressure                          | 0.02 MPa ~ 0.8 MPa    |
| 6. Net weight                                    | 36kg                  |
| 7. Size(D X W X H)                               | 545mm x 550mm x 890mm |

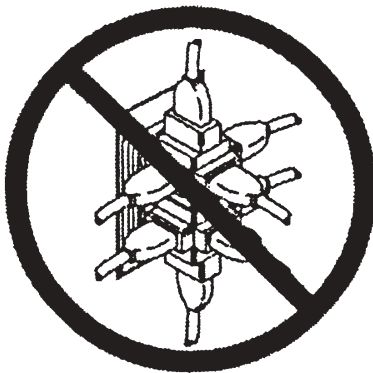
## ELECTRICAL REQUIREMENTS

(120V~/ 60HZ WITH THE 3 PRONG GROUNDING PLUG)

### **⚠ WARNING**

To reduce the risk of electrical shock or personal injury, all wiring and grounding MUST conform with the latest edition of the National Electrical Code, ANSI/NFPA 70, and such local regulations as might apply. IT'S THE CONSUMERS RESPONSIBILITY TO HAVE THE WIRING FUSES AND CIRCUIT BREAKERS CHECKED BY A QUALIFIED ELECTRICIAN TO MAKE SURE YOUR HOME HAS ADEQUATE ELECTRICAL POWER TO OPERATE THE WASHER.

- DO NOT OVERLOAD THE WASHER
- DO NOT USE AN ADAPTER
- DO NOT USE AN EXTENSION CORD



#### **Note:**

Have a qualified electrician check the polarity of the wall receptacle. If a voltage reading is measured other than illustrated, a qualified electrician should correct the problem.

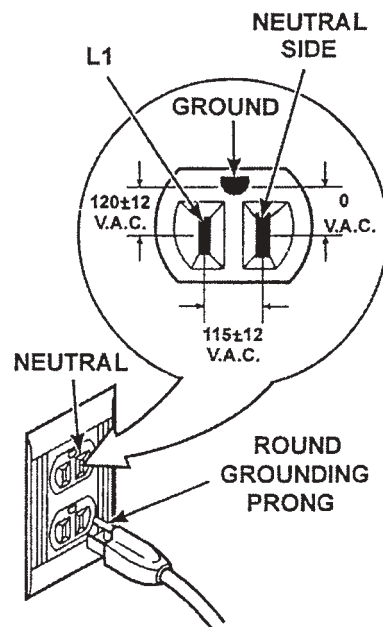
### **GROUNDING INSTRUCTIONS**

The washer must be grounded in the event of a malfunction or breakdown, grounding will reduce the risk of electrical shock by providing a path of least resistance for electrical shock. The washer is equipped with a cord having an equipment grounding conductor and a 3 prong grounding plug. The plug must be plugged into an appropriate outlet that is installed and grounded in accordance with all local codes and ordinances.

Do not modify the plug provided with the washer, if it will not fit the outlet, have a proper outlet installed by a qualified electrician.

If a positive ground cannot be established through the power cord and if local code permits its use, connect an external ground wire (18 gauge minimum, available at your local hardware store). Connect one end of the wire under any screw (located at rear of washer) and other end to a known effective electrical ground.

#### **STANDARD 120 VOLT, 60 HERTZ, 3-WIRE EFFECTIVELY GROUNDING CIRCUIT**



## WATER SUPPLY REQUIREMENTS

### **⚠ WARNING**

Under certain conditions, hydrogen gas may be produced in a hot water system that has not been used for two weeks or more. **HYDROGEN GAS IS EXPLOSIVE.** If the hot water system has not been used for such a period and before using the washer, turn on all hot water faucets and let the water flow from each for several minutes. This will release any accumulated hydrogen gas.

**THIS GAS IS FLAMMABLE, DO NOT SMOKE OR USE AN OPEN FLAME DURING THIS TIME.**

Water supply faucets must fit standard 3/4 inch (19.05mm) female garden hose couplings. **DO NOT USE SLIP-ON OR CLAMP-ON CONNECTIONS.**

#### NOTE:

Water supply faucets should be readily accessible to permit turning them off when the washer is not being used.

### **WATER TEMPERATURE**

#### **Cold**

Recommended cold water temperature is 50 ~ 75°F, 10 ~ 23.8°C

#### **Hot**

Recommended hot water temperature is 135 ~ 145°F, 57 ~ 62.7°C

#### **Warm**

Mixture of hot and cold water. (Warm water temperature is dependent upon the water temperature and the pressure of both the hot and cold water supply lines.)

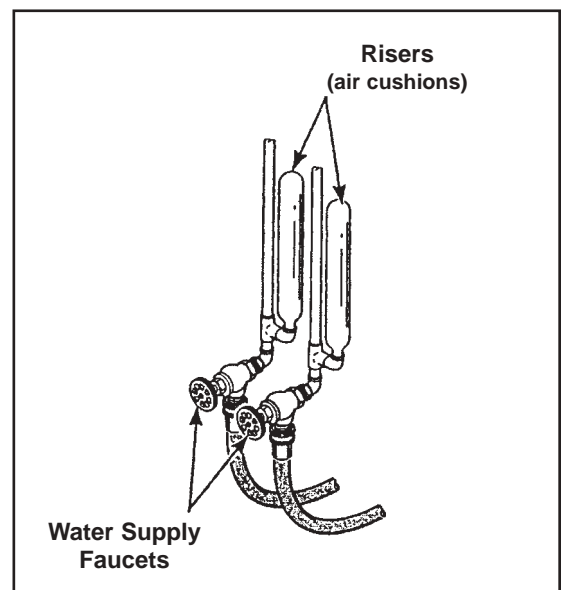
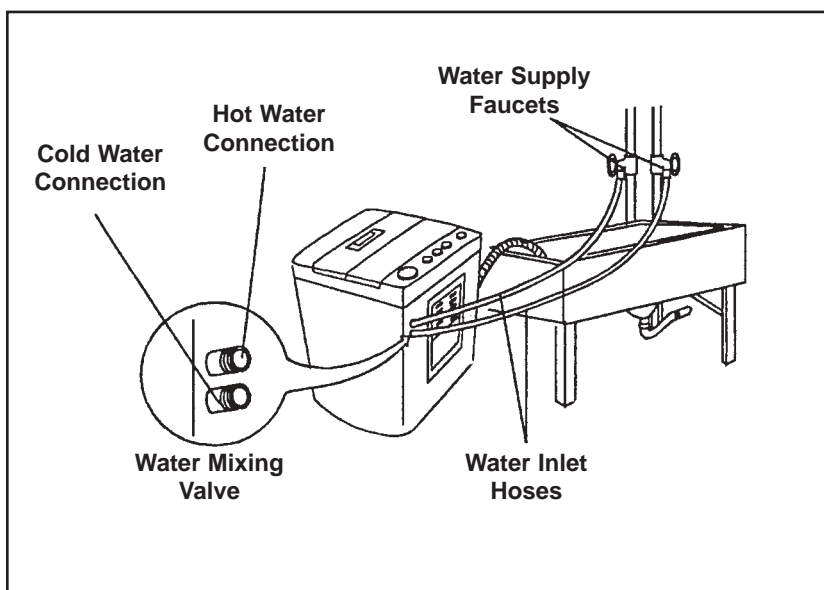
**IMPORTANT:** Owner should turn off water supply whenever there will be an extended period of non-use.

#### **Water pressure**

Do not operate the washer when the water pressure is lower than 0.02 MPa or higher than .8 MPa. to avoid damage of the inlet system.

#### **Risers**

Risers (or air cushions) may have to be installed if the pipes knock or pound when flow of water stops. The risers are more efficient when installed as close as possible to the water supply faucets, see illustration below.



# INSTALLING THE WASHER

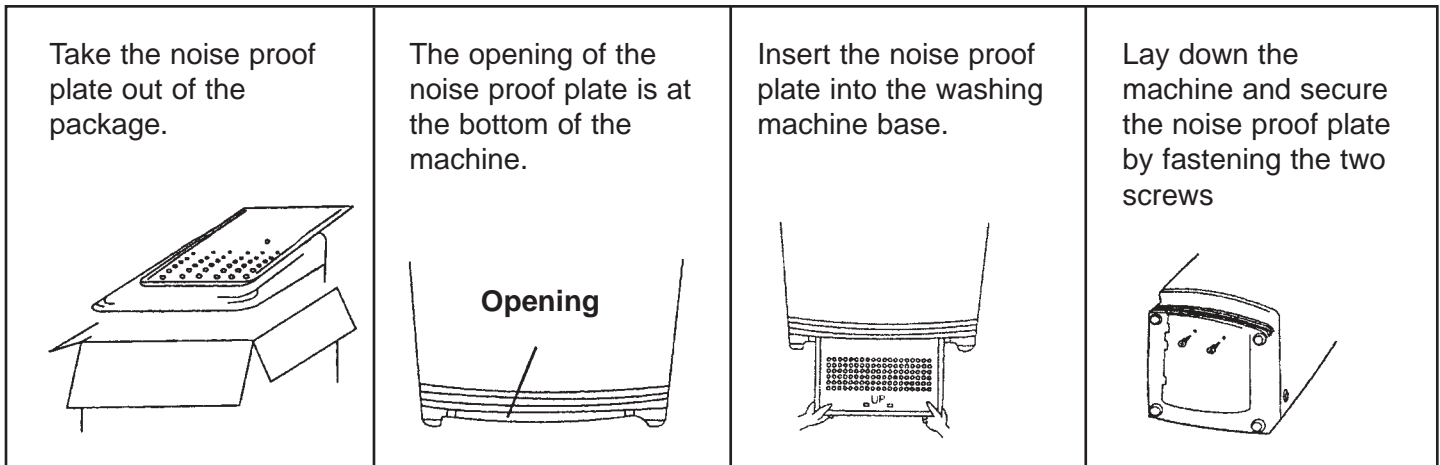
## STEP 1

Remove the shipping brace and insert the noise proof plate on the washing machine.



## CAUTION:

- Do not put your hands into the rotating tub
- Do not sprinkle water over the control panel
- Do not leave wet clothes on the control panel
- The safety switch will stop the spinning operation automatically if the laundry load is unevenly distributed (balanced) in the tub. Open the lid and redistribute the laundry evenly, then close the lid to restart.
- After use, turn off the water supply lines



## STEP 2

### Single Hose Installation (portable applications)

Your washing machine is equipped with easy to install accessories allowing the washing machine to be connected to a single source water supply line;

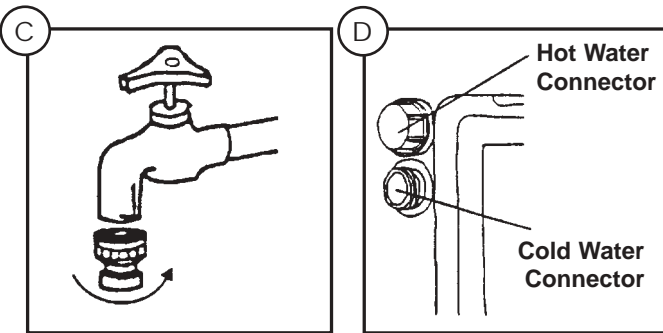
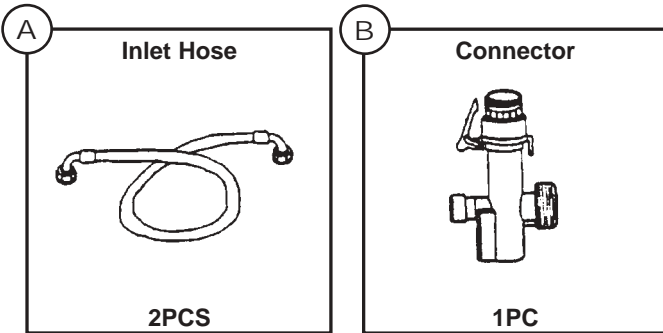
#### Accessories Included:

2 only Inlet Hose **Fig. A**

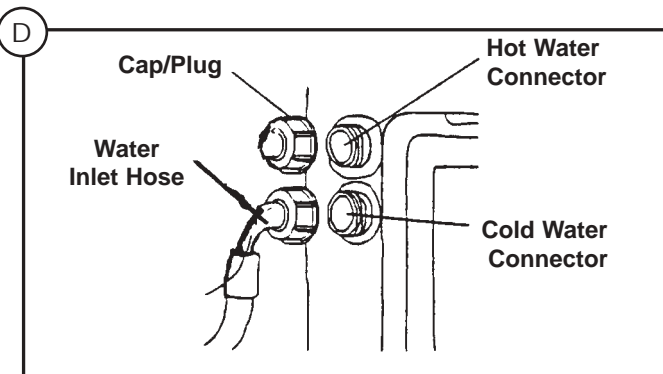
1 only Water Inlet Hose "Quick Connect". **Fig. B**

1 only Faucet Adapter. **Fig. C**

1 only Water Inlet Valve Cap/Plug. **Fig. D**



**Important Notice:** For portable installations (using a single inlet hose only) it will be necessary to "cap/plug" one side of the hot/cold water valve not being used. **Fig. D**



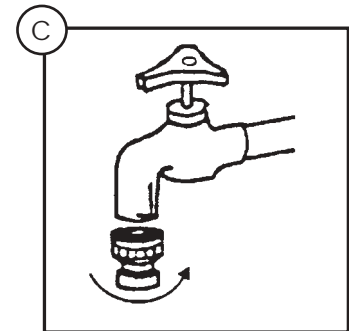
Failure to install the "cap/plug" on the open side of the water valve will result in leakage from the valve during any/all water fill cycles.

**Special Note:** Depending on which side of the (Hot/Cold) valve the cap/plug is installed, certain "WASH/TEMP" fill programs will not be operational. i.e.

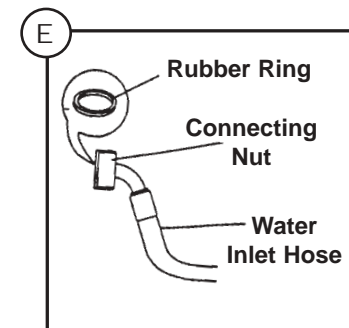
- If you cap/plug the HOT WATER (upper) valve, it will not be possible to select the "COLD/COLD" WASH/TEMP water fill program. You can only select either the WARM/COLD or HOT/COLD WASH/TEMP water fill programs. (under the COLD/COLD setting no water will enter the wash tub)
- If you cap/plug the COLD WATER (lower) valve, it will not be possible to select the "HOT/COLD" WASH TEMP water fill program. You can only select either the WARM/COLD or COLD/COLD WASH/TEMP water fill program. (under the HOT/COLD setting no water will enter the wash tub)

### Connecting the Water Inlet Hose:

- Screw the faucet adapter onto the faucet. **Fig. C** (check for leaks, use Teflon tape to eliminate if necessary)



- Install rubber washer into each end of the fill hose. **Fig. E**





- Connect fill hose (with 90° elbow) to either the HOT/COLD water inlet valve located at the back of the washing machine, tighten moderately. (remember to install the “cap/plug” on the inlet valve not being used)

- Connect the opposite end of the hose directly to the body of the quick connect. **Fig. F**

- Attach the quick connect directly to the faucet adapter, by pulling the outer collar (ring) downward while pushing the quick connect upward onto the faucet. Release the outer collar (ring) and the quick connect will lock into place. **Fig. H**

- Slowly open the water supply line and check for any sign of leaks at all water connection points.
- If leaks occur, immediately close the water supply and effect the necessary repairs and/or replacement of any/all defective connections. If you are unable to effect suitable repairs yourself, call our toll free CUSTOMER HELP LINE at "1 800 26 DANBY and ask for assistance.

**NOTE:** Once the water supply line to the machine is open, the inlet hose is pressurized. (even when the water supply is closed immediately thereafter)

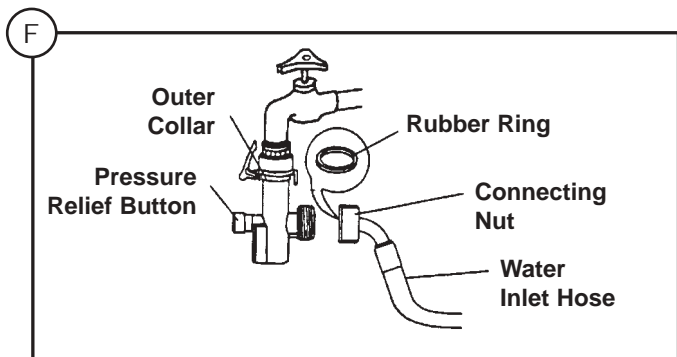
**NOTE:** Failure to relieve (release) hose pressure before attempting to disconnect the hose from the faucet can result in back pressure over-spray.

**WARNING:** Incoming water temperature can be very hot and back pressure over-spray can cause severe burns and/or scalding.

**NOTE:** To relieve (release) hose pressure, close the water faucet. Press and "Hold" the "red" (pressure relief) button located on the front (body) of the quick connect until the flow of water stops.

**Fig. F**

When the flow of water has stopped, the hose pressure is released and it is now safe to disconnect the hose from the faucet adapter.



## Permanent Hose Installation (dual hose)

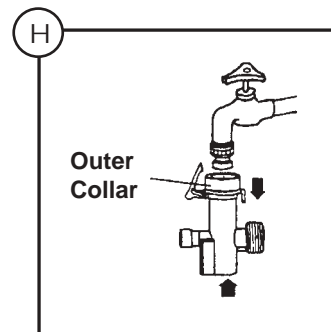
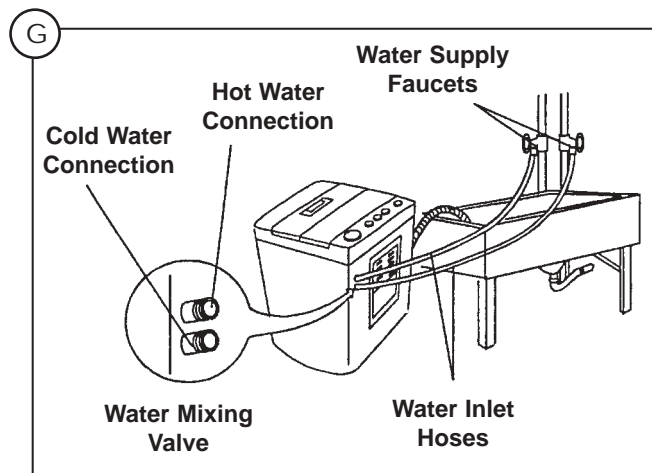
If your washing machine is to be permanently installed both fill hoses are required. The following accessories are not required for permanent installation applications;

- Water Inlet Hose Quick Connect.
- Faucet Adapter.
- Water Inlet Valve Cap/Plug.

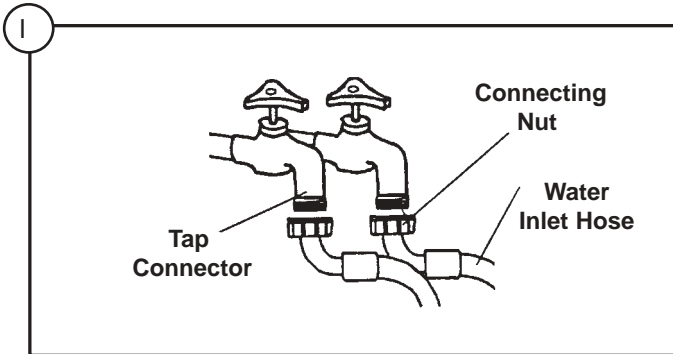
We recommend that you store these items in a safe place for future use, in the event there is ever a need to change your installation method.

### **Connecting the Water Inlet Hoses:**

- Install a rubber washer into each end of both fill hoses.
- Connect the both fill hoses (with the 90° elbow) respectively to both the HOT & COLD water valves located at the back of the washing machine and tighten moderately. **Fig. G**



- Connect the opposite end of the fill hoses to their respective HOT & COLD water supply lines. Fig. I  
**IMPORTANT:** Make sure the HOT water line is connected to the HOT (upper) water valve and the COLD water line is connected to the COLD (lower) water valve. **Fig. I**



- Slowly open both water supply lines and check for any sign of leaks at all connection points.
- If leaks occur, immediately close the water supply lines and effect the necessary repairs and/or replacement of any/all defective connections.
- If you are unable to effect suitable repairs yourself, call our toll free CUSTOMER HELP LINE at "1 800 26 DANBY and ask for assistance.

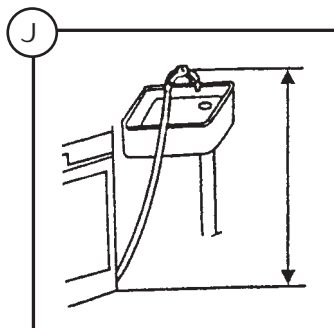
### STEP 3

#### Connect Drain Hose to Drain Receptacle

**Portable Installation:** Hang the drain pipe over the edge of the wash tub and/or kitchen sink. Make sure the hose cannot be accidentally displaced when the drain water is being discharged.

**Permanent Installation:** Insert the end of the drain hose directly into the drain stem pipe and /or hang over the edge of the wash tub.

**NOTE:** The highest point of the drain hose must be positioned between 26" ~ 46" above floor level, otherwise the pumping out (efficiency) of the water may be affected. **Fig. J**

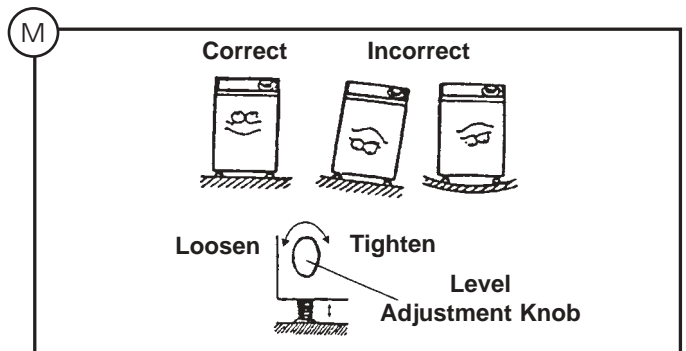


### STEP 4

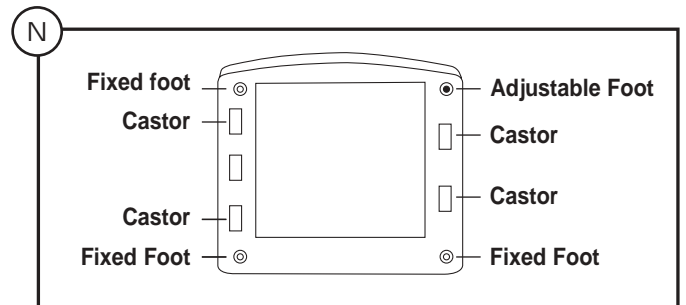
#### Levelling the Washing Machine.

To prevent vibration and unnecessary movement during wash and spin operation, the washer must be installed on a firm and level surface, This is accomplished by using the level adjustment knob located on the lower right side of the cabinet. To change the height of the adjustment leg, unscrew the level adjustment knob, set the machine level and re-tighten when the machine is stable. **Fig. M**

The inclination angle of the washer shall not be more than two (2°) degrees. Place the washer at least 5cm (2") away from the wall.



**Portable Installations:** For portable applications, the washing machine comes equipped with four (4) "north/south" casters that can easily be installed to assist in the movement of the machine too and from the sink. Lay the unit on its back. Install the casters into the bottom of the base as depicted. **Fig. N**



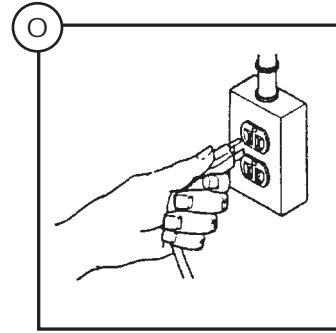
Return the machine to the upright position. When the machine is positioned for operation, set the height of the adjustment leg slightly higher than the front castor to prevent movement of the machine during wash and spin operation.

**NOTE:** Not all movement will be totally eliminated, this is normal.

## **STEP 5**

### **Plug In the Washing Machine.**

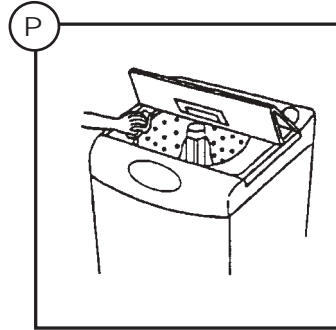
Refer to section on Electrical Requirements before connecting the washer. **Fig. O**



## **STEP 6**

### **Wipe Out the Inside of the Washer Prior to Being Used.**

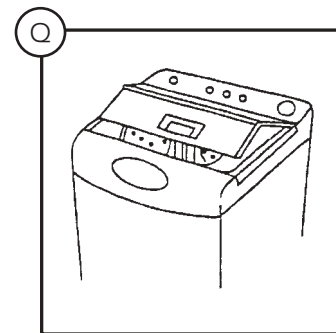
Review Use and Care Guide. **Fig. P**



## **STEP 7**

### **Check the Safety Switch.**

The washer should stop spinning when the lid is opened. **Fig. Q**



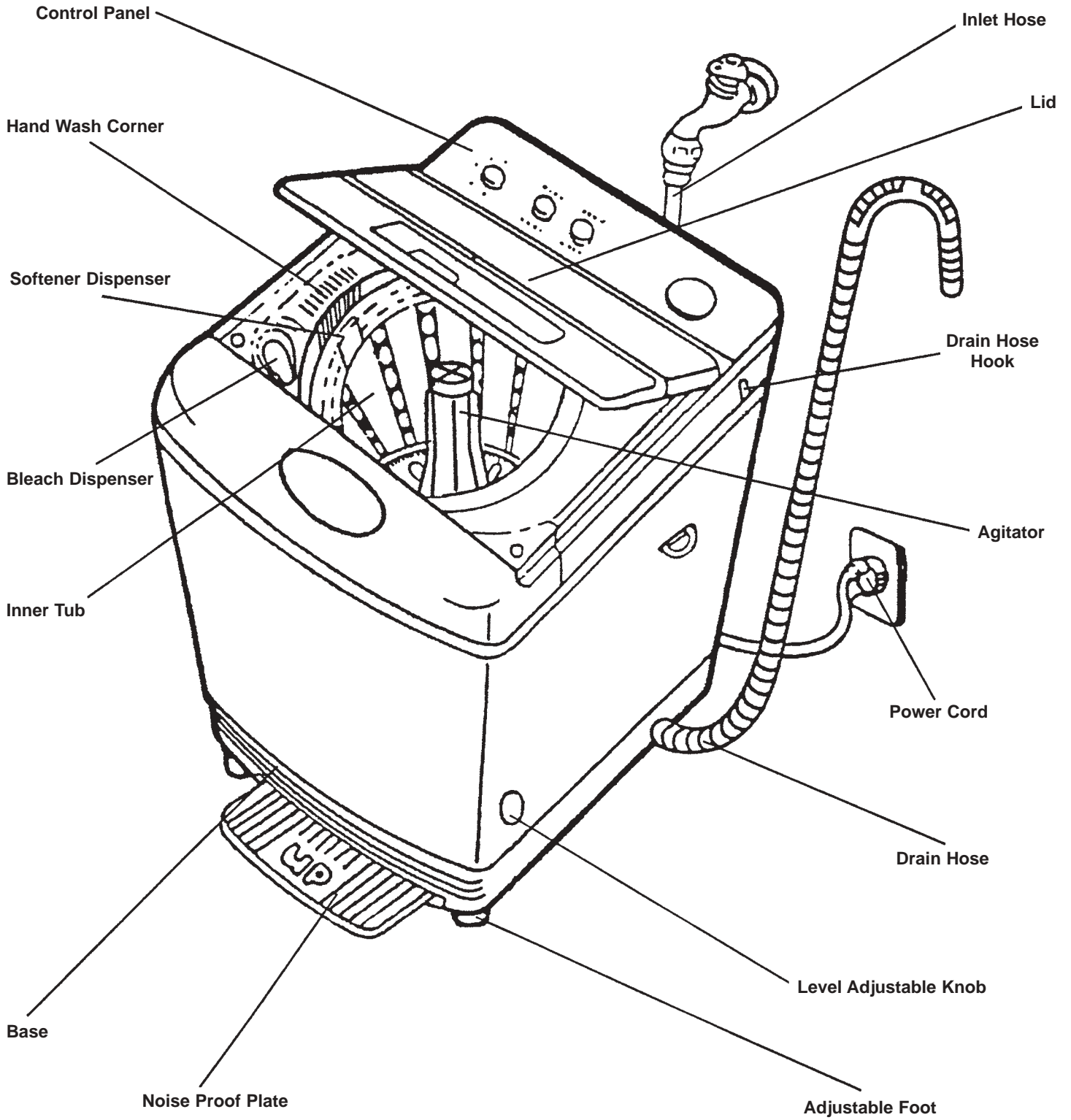
## INSTALLER CHECKLIST

### FAST TRACK FOR INSTALLING THE WASHER

(refer to manual for more detailed information)

- Remove the shipping brace
  
- Connect the water inlet hoses
  
- Connect the hose to drain receptacle
  
- Install on a firm and level surface
  
- Plug in the washer
  
- Wipe out the inside of washer, review use and care guide
  
- Check safety switch

# PARTS IDENTIFICATION





## WASH TEMPERATURE

### **Hot Water**

Hot water will give the best results of cleaning and sanitizing. But it is not suitable for all articles. It is best for sturdy whites and colourfast articles, heavily soiled articles and diapers.

### **Warm Water**

By using warm water, there is less chance of colour loss in articles. Use with light and moderate soils, non-colourfast or dark colours, permanent press, silks, woolens, nylons and acrylic.

### **Cold Water**

Cold water is less effective in cleaning than hot or warm water, but it does minimize wrinkling and colour fading. Use it for washing extra sensitive clothes and for the rinsing of all fabrics.

### **Energy**

You can save energy when washing by following a few guidelines:

1. Heating water accounts for the greatest expense when washing. Save on heating water by using cold rinses.
2. Wash full loads, but do not overload.
3. Select a shorter wash time for lightly soiled articles.

## **HOW TO USE YOUR WASHER**

### **A.) Determine proper cycle**

- Press down the program knob and turn it to the desired function.
- Pull up the program knob to start the wash program.

#### **WARNING:**

The program knob can only be turned clockwise when it is pressed down.

### **B.) To Wash clothes**

#### **IMPORTANT:**

Before using your new washer, make sure the washer cord is plugged into a properly grounded and polarized outlet which has the appropriate voltage (refer to the serial plate). Make sure the washer hoses are connected to the hot and cold water faucets, and that the faucets are turned on. Be sure the drain hose is not kinked and is inserted into a drain. See the INSTALLATION INSTRUCTIONS for details of proper washer installation.

Before using the washer for the first time, wipe out the inside of the washtub with a sudsy cloth.

1. **Load laundry** and add detergent (refer to section "GENERAL WASHING INFORMATION" for proper detergent usage).
2. **Water level**, Select water level according to laundry quantity. Refill function allows you to add water during operation (turn the water level knob to RESET and hold for 2-3 seconds. Then turn to the level desired).

3. **Wash Choice**,

regular mode, press down the WASH CHOICE button. Gentle mode, release the button.

4. **Close the lid**

The washer will not spin with the lid open.

5. **Set WASH/RINSE temperatures**

**NOTE:** If your washer is (permanently installed connected to both a HOT/COLD water supply, the washer will provide a cold rinse in all temperature settings. If your washer is installed under a portable application, connected to a single water supply, the wash and rinse temperatures will be the same. **Also refer to the "special note" under portable (single hose) installation.**

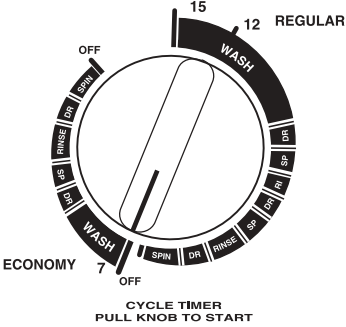
### **C.) Timer**

Although the washer cycles are automatic, the timer may be reset to lengthen, shorten or repeat a portion of the cycle.

To set or reset the timer, push timer knob in to stop the washer. Hold timer knob firmly while turning clockwise to the setting desired. Pull timer knob out to start the washer.

# HOW TO USE YOUR WASHER CONTINUED

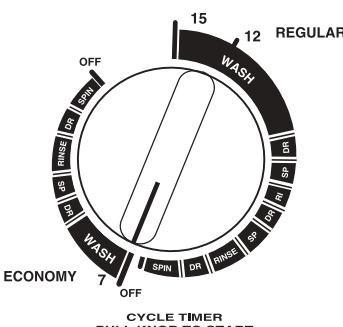
## Cycles



**ECONOMY CYCLE**

Water Refill

Wash	7 min.
Drain	2.3 min.
Spin	2.7 min.
Water Refill	
Rinse	2 min.
Last Rinse	2 min.
Drain	2.8 min.
Spin	4.2 min.



**REGULAR CYCLE**

Water Refill	
Wash	12-15 min.
Drain	2.3 min.
Spin	2.7 min.
Water Refill	
Rinse	2 min.
Drain	2.3 min.
Spin	2.7 min.
Water Refill	
Rinse	2 min.
Last Rinse	2 min.
Drain	2.8 min.
Spin	4.2 min.

## Recommended Detergent Amount

Water Level	Detergent Amount	
	Lightly Soiled	Heavily Soiled
Low 1	10 - 16g	20 - 32g
Low 2	12 - 19g	24 - 38g
Mid	14 - 22g	27 - 43g
High	18 - 24g	35 - 47g

## GENERAL WASHING INFORMATION

### Bleach

Do not pour bleach directly over the clothes. Pour the bleach into the bleach dispenser. Wash the inner tub with clean water after using bleach

### Hand Wash Corner

Use this hand wash corner to wash heavily soiled spots.

### Preparations Before Wash

Remove clothes that cannot be machine washed. Separate greased items from non-greased items, separate dark from light colours

Empty pockets and remove all things attached to the laundry, especially small metal objects.

### Maximum Capacity

The maximum washing capacity and spin capacity is 4 kg  
If the agitator cannot rotate, reduce 1 or 2 laundry articles.

### Spin Only Program

Close the lid  
Turn the program knob to the starting point of the last spin function and pull out the knob to begin.



## SPECIAL CARE WASHING INFORMATION

### Knits

A variety of knits are being used for many types of clothing and household furnishings. Many knits are machine washable, some are hand washable and some must be dry-cleaned. When buying, make sure the garment has a care label with care instructions. These directions must be followed otherwise they may shrink or relax when exposed to water.

### Rayon Knits

Rayon stretches and shrinks easily. Treat as a delicate fabric and wash gently.

### Cotton Knits

Unless the label indicates that it is preshrunk, cotton knits will probably shrink to some degree. Over drying contributes to shrinkage of cotton knits. Wash water should be hot or warm suitable for colour and soil. The rinse water should be cold.

### Synthetic Knits

Knits made from synthetic fibers or blends containing a high percentage of synthetics will generally keep their shape. When buying, make sure the trimmings (including belts) are machine washable, seams are not frayed, and zippers and trimmings are well fastened.

### Wool Sweaters

Loosely knit or delicately constructed sweaters will need delicate care hand wash. Rinse thoroughly. Block to shape and dry flat. For sweaters labeled "machine washable" follow manufacturers directions. Dry flat. Excess agitation and excess tumbling are the main cause of wool shrinkage.

### Wool Knits

Dry-clean wool knits unless labeled "machine washable" follow manufacturers directions.

## USER MAINTENANCE INSTRUCTION

### Cold Weather

If the washer is delivered on a cold day (below freezing), or is stored in an unheated room or area during the cold months, do not attempt to operate it until the washer has had a chance to warm up.

### Care of Your Washer

- Use only a damp or sudsy cloth for cleaning the control panel. Some spray prewash products may harm the finish on the control panel.
- Wipe the washer cabinet as needed. If detergent, bleach or other washing products are spilled on the cabinet, wipe immediately. Some products will cause permanent damage if spilled on the cabinet.
- Do not use scouring pads or abrasive cleaners.
- Do not lay sharp or rough objects on or against the washer. The finish could be damaged.
- Do not expose the washer to direct sunlight or rain.

- Keep the washer away from fire or heat source.
- The washtub will need no particular care though it may need rinsing or wiping after an unusual load has been washed. This also may be necessary if too little detergent has been used.
- Leave the lid and open to allow the inside of the washer to dry out after use. This helps prevent musty odors from developing.
- When unplugging the power cord, do not pull the wire cord, grasp the "plug" firmly and pull.

### Motor Overload Protector

The internal overload protector in the motor will stop the motor automatically in the event of an overload. The overload protector will reset itself in two or three minutes and the motor will reset automatically. If the overload protector stops the motor again, remove the washer from use and call the serviceman to correct the problem.

## TROUBLE SHOOTING

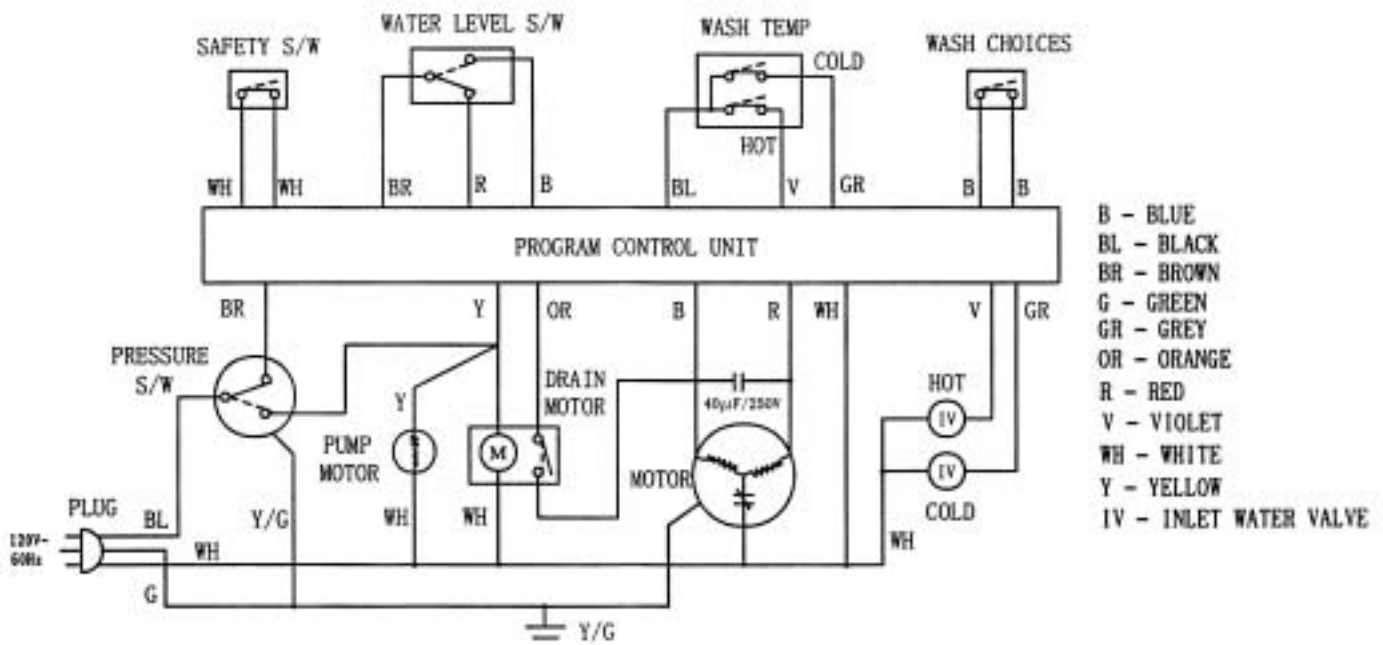
<u>Problem</u>	<u>Location to be checked</u>
The washer will not drain	<ul style="list-style-type: none"> <li>Is the drain hose kinked or hung too high?</li> <li>Is the drain hose frozen or clogged?</li> </ul>
Spin malfunction	<ul style="list-style-type: none"> <li>Is the laundry unevenly balanced in the tub?</li> <li>Is the lid closed?</li> <li>Is the washer on a level surface?</li> </ul>
Washer will not fill up	<ul style="list-style-type: none"> <li>Is the water faucet open?</li> <li>Is the water pressure too low?</li> <li>Is the filter in the inlet valve clogged?</li> <li>Is there any water?</li> </ul>
Spin malfunction	<ul style="list-style-type: none"> <li>Is the power cord firmly plugged in?</li> <li>Have you blown a fuse or tripped the breaker switch?</li> <li>Did the water reach the program level?</li> </ul>

### Notice

- Do not operate the washer when the water pressure is lower than 0.02MPa or higher than 0.8MPa to avoid damage of the inlet system

- Do not use the washtub as a water container and always to drain water completely
- Close the tap after use
- Unplug the power cord

## WIRING DIAGRAM



# Danby® LIMITED PRODUCT WARRANTY

This quality product is warranted to be free from manufacturer's defects in material and workmanship, provided that the unit is used under the normal operating conditions intended by the manufacturer.

This warranty is available only to the person to whom the unit was originally sold by Danby or by an authorized distributor of Danby, and is non-transferable.

## TERMS OF WARRANTY

*First Year* During the first year (1), any mechanical or electrical parts of this product found to be defective, will be repaired or replaced, at warrantor's option, at no charge to the ORIGINAL purchaser.

*To obtain Service* Danby reserves the right to limit boundaries of "In Home Service" due to the proximity of an Authorized Service Depot. Any appliance requiring service outside the limited boundaries of "In Home Service", it will be the customer's responsibility to transport the appliance to the closest Authorized Service Depot at their own expense. Contact your dealer from whom your unit was purchased, or contact your nearest authorized Danby service depot, where service must be performed by a qualified service technician. If service is performed on the units by anyone other than an authorized service depot, or the unit is used for commercial application, all obligations of Danby under this warranty shall be at an end.

## EXCLUSIONS

Save as herein provided, Danby Products Limited (Canada) or Danby Products Inc. (U.S.A.), there are no other warranties, conditions, representations or guarantees, express or implied, made or intended by Danby Products Limited or its authorized distributors and all other warranties, conditions, representations or guarantees, including any warranties, conditions, representations or guarantees under any Sale of Goods Act or like legislation or statute is hereby expressly excluded. Save as herein provided, Danby Products Limited (Canada) or Danby Products Inc. (U.S.A), shall not be responsible for any damages to persons or property, including the unit itself, howsoever caused or any consequential damages arising from the malfunction of the unit and by the purchase of the unit, the purchaser does hereby agree to indemnify and save harmless Danby Products Limited from any claim for damages to persons or property caused by the unit.

## GENERAL PROVISIONS

No warranty or insurance herein contained or set out shall apply when damage or repair is caused by any of the following:

- 1) Power Failure.
- 2) Damage in transit or when moving the appliance.
- 3) Improper power supply such as low voltage, defective house wiring or inadequate fuses.
- 4) Accident, alteration, abuse or misuse of the appliance such as inadequate air circulation in the room or abnormal operating conditions, (extremely high or low room temperature).
- 5) Use for commercial or industrial purposes.
- 6) Fire, water damage, theft, war, riot, hostility, acts of God such as hurricanes, floods etc.
- 7) Service calls resulting in customer education.

Proof of purchase date will be required for warranty claims; so, please retain bills of sale. In the event warranty service is required, present this document to our AUTHORIZED SERVICE DEPOT.

### Warranty Service

With-In Canada

In Home

With-In United State

In Home

Danby Products Limited  
PO Box 1778, 5070 Whitelaw Road,  
Guelph, Ontario, Canada N1H 6Z9  
Telephone: (519) 837-0920 FAX: (519) 837-0449

11/00

Danby Products Inc.  
PO Box 669, 101 Bentley Court,  
Findlay, Ohio, U.S.A. 45839-0669  
Telephone: (419) 425-8627 FAX: (419) 425-8629

## TABLE DES MATIÈRES

Consignes de sécurité .....	20
Instructions d'installation .....	21
Installation électrique .....	22
Raccordement de l'alimentation en eau .....	23
Installation du lave-linge .....	24
Liste de vérification de l'installateur .....	29
Nomenclature des pièces .....	30
Panneau de commande .....	31
Avant le lavage .....	31
Comment utiliser votre lave-linge .....	32
Renseignements généraux concernant le lavage .....	33
Soins particuliers concernant le lavage .....	34
Instructions d'entretien .....	34
Dépannage .....	35
Schéma de câblage .....	35
Garantie .....	36

## INTRODUCTION

Merci d'avoir acheté un appareil Danby. Avant de le mettre en marche, veuillez lire et conserver ces instructions.

Numéro du modèle : \_\_\_\_\_ Numéro de série : \_\_\_\_\_

Date d'achat : \_\_\_\_\_ Lieu d'achat : \_\_\_\_\_

Nom et adresse du dépositaire : \_\_\_\_\_

Il nous faut ces renseignements pour répondre à vos questions ou lors du dépannage de votre appareil. Pour communiquer avec un représentant du service à la clientèle, appelez Danby NUMÉRO SANS FRAIS.  
1-800-263-2629

### VEUILLEZ LIRE SOIGNEUSEMENT CES INSTRUCTIONS ET LES CONSERVER

Ces instructions qui s'adressent à l'utilisateur, décrivent l'appareil, montrent la façon de l'installer correctement et donnent le mode d'emploi pour une utilisation sans risque.

### NOTA :

Cet appareil a fait l'objet d'un emballage soigné et d'une inspection exhaustive avant de quitter notre usine. En acceptant la cargaison, le transporteur garantit que la livraison se fera dans de bonnes conditions. Toute réclamation pour perte ou dommage en cours de transit doit se faire auprès du transporteur.

## CONSERVEZ CES INSTRUCTIONS

1. Veuillez lire avec soin ce manuel d'instruction avant de l'utiliser.
2. Consultez les instructions de Mise à la Terre (sur exigences électriques) dans ce manuel pour vous assurer que la laveuse est correctement mise à la terre.
3. Ne lavez pas le linge qui a été préalablement nettoyé, lavé, trempé ou taché avec de l'essence, un produit de nettoyage à sec ou d'autres substances explosives ou inflammables qui dégagent des vapeurs susceptibles de s'en flammer ou d'exploser.
4. Ne permettez pas aux enfants de jouer sur le lave-linge ou à l'intérieur. Il convient d'assurer une surveillance étroite si le lave-linge est utilisé à proximité d'enfants.
5. Ne touchez pas l'intérieur du lave-linge lorsque l'agitateur du tambour tourne.
6. N'installez pas ou n'entrez pas le lave-linge dans un endroit qui peut être exposé à l'eau ou aux intempéries.
7. Ne touchez pas aux boutons de programmation.
8. Ne réparez pas ou ne remplacez pas une pièce du lave-linge, ou n'effectuez aucune réparation à moins qu'elle ne soit expressément recommandée dans le guide de dépannage des instructions d'entretien et à la condition de les comprendre et d'avoir les aptitudes pour effectuer cette réparation.
9. N'ajoutez pas à l'eau du lavage de l'essence, des produits de nettoyage à sec ou d'autres substances explosives ou inflammables. Ces substances dégagent des vapeurs susceptibles de s'enflammer ou d'exploser.
10. Dans certaines conditions, le système d'eau chaude peut produire de l'hydrogène s'il reste inutilisé pendant deux semaines ou plus. L'hydrogène est un gaz explosif. Si le système d'eau chaude reste inutilisé pendant une période aussi longue, il faut, avant d'utiliser ce lave-linge, ouvrir tous les robinets d'eau chaude et les faire couler plusieurs minutes. Cette opération va laisser échapper l'hydrogène accumulé. Le gaz est un produit inflammable, abstenez-vous donc de fumer ou d'utiliser un appareil à flamme nue au cours de cette opération.
11. Remplacez les fiches lâches et les cordons d'alimentation défectueux.
12. Pour réduire les risques de décharge électrique ou d'incendie, N'UTILISEZ PAS de rallonge électrique ou d'adaptateur pour brancher le lave-linge à l'alimentation électrique.
13. Utilisez votre lave-linge seulement pour l'usage prévu, le lavage des vêtements.
14. Débranchez TOUJOURS le lave-linge de l'alimentation électrique avant d'amorcer toute réparation. Débranchez le cordon électrique par la prise, et non par le cordon.
15. Installez le lave-linge conformément aux INSTRUCTIONS D'INSTALLATION. Tous les branchements pour l'eau, le tuyau d'écoulement, l'alimentation électrique et la prise de terre doivent se conformer aux codes locaux et, au besoin, doivent être effectués par du personnel qualifié. Ne le faites pas vous-même, à moins d'avoir les connaissances requises !
16. Pour réduire les risques d'incendie, il ne faut pas mettre dans le lave-linge, les vêtements qui ont des traces de substances inflammables, telles que l'huile végétale, l'huile de cuisson, l'huile de graissage, les produits chimiques inflammables, les diluants etc. ou tout objet ayant de la cire ou des produits chimiques, tels que des vadrouilles ou torchons. Le matériel est susceptible de s'enflammer avec la présence de ces substances inflammables.
17. N'utilisez pas d'assouplisseurs de tissus ou de produits pour éliminer l'électricité statique à moins qu'ils soient recommandés par le fabricant d'assouplisseur de tissus ou de produit.
18. Maintenez votre lave-linge en bon état de fonctionnement. Le fait de cogner ou de laisser tomber le lave-linge peut endommager les dispositifs de sécurité. Si cela se produit, faites vérifier votre lave-linge par un réparateur compétent.
19. Veuillez vous assurer que les raccordements d'alimentation en eau ont un robinet d'arrêt et que les branchements des tuyaux de remplissage sont bien serrés. FERMEZ les robinets d'arrêt à la fin de chaque journée de lavage.

## INSTRUCTIONS DE SÛRETÉ CONTINUÉES

20. Le couvercle DOIT être fermé chaque fois que le lave-linge effectue le cycle d'essorage. NE PAS neutraliser l'interrupteur de sécurité en permettant au lave-linge de fonctionner avec le couvercle ouvert durant le cycle d'essorage. Un frein va arrêter le tambour en quelques secondes si le couvercle reste ouvert durant le cycle d'essorage. Si le tambour ne s'arrête pas lorsque le couvercle est ouvert, n'utilisez plus le lave-linge et appelez le réparateur.
21. Suivez toujours les instructions d'entretien du tissu fournis par le confectionneur de vêtements.
22. Ne faites jamais fonctionner le lave-linge sans les panneaux et les protections.
23. NE FAITES PAS fonctionner le lave-linge avec des pièces manquantes ou brisées.
24. NE NEUTRALISEZ PAS les dispositifs de sécurité.

25. Une installation, un maintien ou un fonctionnement de cet appareil contraire à ces instructions peut créer des conditions susceptibles de causer des dommages corporels ou matériels.

### NOTA :

#### LES AVERTISSEMENTS ET LES CONSIGNES

**IMPORTANTES DE SÉCURITÉ** figurant dans ce manuel ne peuvent pas traiter toutes les conditions et les situations possibles qui peuvent survenir. Il faut comprendre que le bon sens, la prudence et la diligence sont des facteurs qui NE PEUVENT PAS être incorporés dans le lave-linge. Ces facteurs APPARTIENNENT aux personnes qui installent, maintiennent ou font fonctionner le lave-linge.

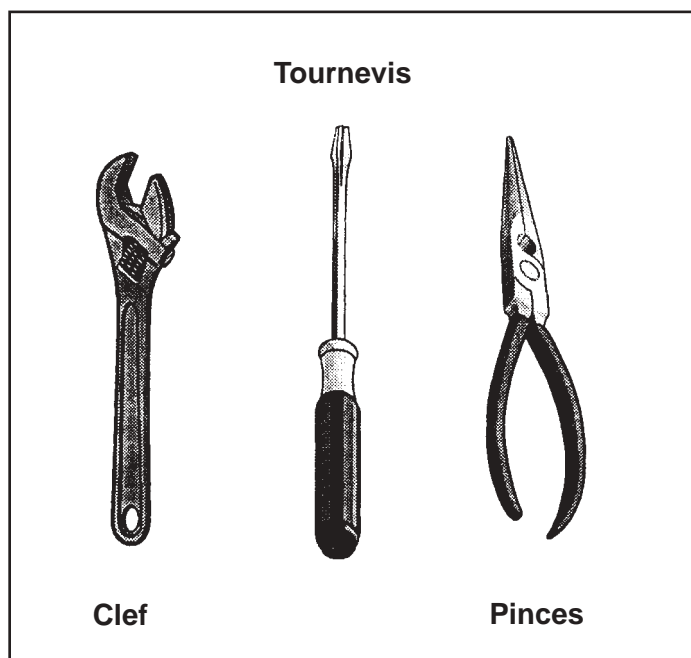
Entrez toujours en contact avec votre dépositaire, distributeur, réparateur ou avec le fabricant si vous avez des problèmes ou des conditions que vous ne comprenez pas.

## INSTRUCTIONS D'INSTALLATION

### AVANT DE COMMENCER

#### Outils

Pour la plupart des installations, les outils de base dont vous aurez besoin sont :



#### Électricité

Le lave-linge a besoin d'une prise enfichable triple polarisée avec terre 120 V~/60 Hz. Pour plus de détails, voir la section sur l'installation électrique.

#### L'eau

Le lave-linge a besoin de robinets standard d'alimentation en eau de 3/4 pouce avec une pression entre 0,02 MPa et 0,08 MPa. Pour plus de détails, voir le raccordement à l'alimentation en eau.

#### Caractéristiques

Tension nominale	120V~
Fréquence nominale	60 Hz
Courant nominal	2,5A
Capacité max de lavage et capacité d'essorage	4 kg
Pression d'arrivée de l'eau	0,02 MPa ~ 0,8 MPa.
Poids net	36 kg
Dimension (P X L X H)	545 mm x 550 mm x 890 mm

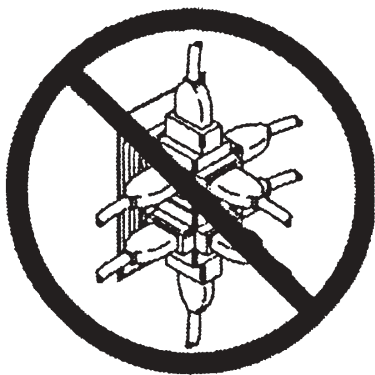
# INSTALLATION D'ÉLECTRIQUE

(120V~/ 60HZ AVEC PRISE À TERRE DE 3 FOURCHES)

## **!** AVERTISSEMENT

Pour réduire le risque de choc électrique ou de dommage corporel, le câblage et la mise à la terre DOIVENT être conformes à la dernière édition du Code national de l'électricité ANSI/NFPA 70, et avec les règlements locaux qui peuvent s'appliquer. Le consommateur est tenu de faire vérifier par un électricien compétent le câblage, les fusibles et les disjoncteurs pour s'assurer que sa maison a une alimentation électrique appropriée pour faire fonctionner le lave-linge.

**NE SURCHARGEZ PAS LE LAVE-LINGE  
N'UTILISEZ PAS D'ADAPTATEUR  
N'UTILISEZ PAS DE RALLONGE ÉLECTRIQUE**



### **NOTA:**

Un électricien compétent doit vérifier la polarité de la prise murale. Si la mesure de la tension est différente que celle illustrée, l'électricien compétent doit corriger le problème.

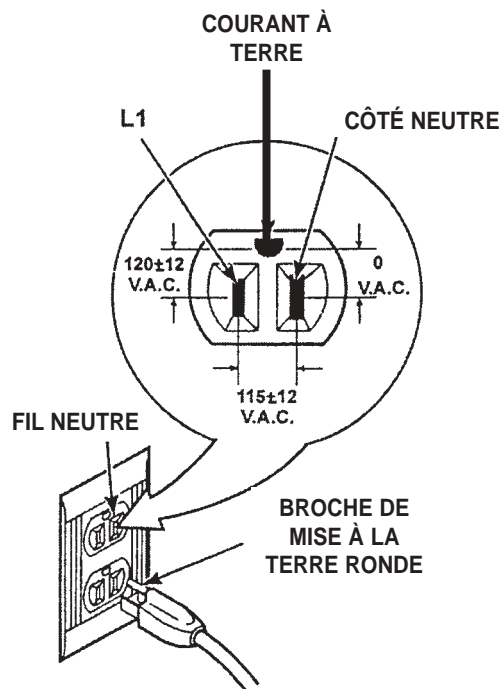
## **INSTALLATION DE MISE À LA TERRE**

Le lave-linge doit être mis à la terre dans le cas d'une défaillance ou d'une panne, la mise à la terre réduira le risque de choc électrique en fournissant un trajet de moindre résistance pour le choc électrique. Le lave-linge est équipé d'un cordon avec un conducteur de terre et d'une fiche bipolaire avec terre. La fiche doit être enfoncée dans une prise de courant appropriée qui est installée et mise à la terre selon les codes et les règlements locaux.

Ne modifiez pas la fiche fournie avec le lave-linge, car elle n'est pas adaptée à la prise de courant, il convient de faire installer une prise appropriée par un électricien compétent.

Si une prise de polarité de masse positive ne peut être établie par le cordon d'alimentation et si le code local autorise son utilisation, utilisez un fil de terre externe (calibre No18 minimum que vous trouverez à votre quincaillerie locale). Connectez un bout du fil à une vis (située à l'arrière du lave-linge) et l'autre bout à une mise électrique à la terre connue.

**120 VOLT, 60 HERTZ STANDARD,  
3 FILS AVEC TERRE**



## **!** AVERTISSEMENT

Dans certaines conditions, le système d'eau chaude peut produire de l'hydrogène s'il reste inutilisé pour deux semaines ou plus. L'hydrogène est un gaz explosif. Si le système d'eau chaude reste inutilisé pendant un période aussi longue, il faut, avant d'utiliser ce lave-linge, ouvrir tous les robinets d'eau chaude et les faire couler pendant plusieurs minutes. Cette opération va laisser échapper l'hydrogène accumulé. Le gaz est un produit inflammable, abstenez-vous de fumer ou d'utiliser un appareil à flamme nue au cours de cette opération.

Les robinets d'alimentation en eau doivent s'adapter à des raccords femelles standard de 3/4 pouce (19,05 mm) de tuyau d'arrosage. **N'UTILISEZ PAS DE BRIDES OU DE COLLIERS DE SERRAGE SUR LES RACCORDS.**

### NOTA :

Les robinets d'alimentation en eau doivent être faciles d'accès pour qu'il soit possible de les fermer quand le lave-linge n'est pas utilisé.

## TEMPÉRATURE L'EAU

### FROID

Température recommandée de l'eau froide est de 50 ~ 75 °F, 10 ~ 23,8 °C

### CHAUD

Température recommandée de l'eau chaude est de 135 ~ 145 °F, 57 ~ 62,7 °C

### TIÈDE

Mélange d'eau chaude et froide. (La température de l'eau tiède varie selon la température de l'eau et la pression des deux conduites d'alimentation).

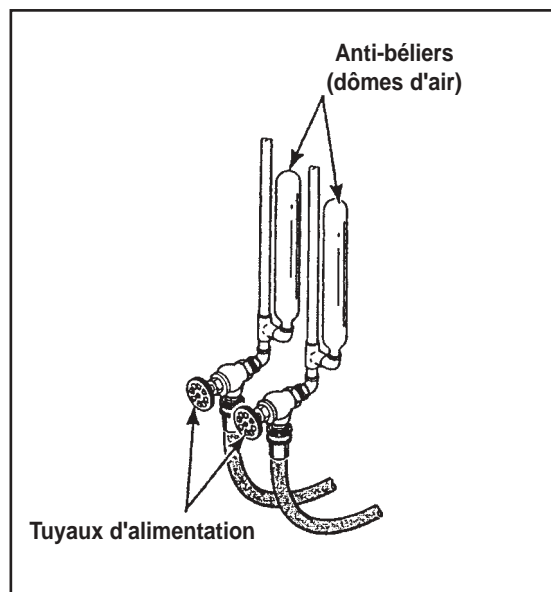
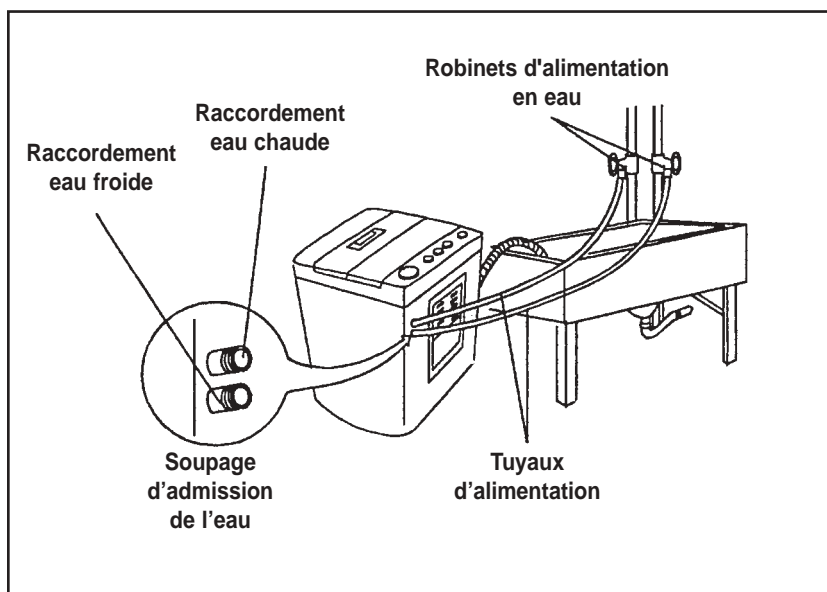
**IMPORTANT :** Le propriétaire doit fermer l'alimentation en eau en cas de non-utilisation prolongée.

### PRESSION DE L'EAU

Ne faites pas fonctionner le lave-linge si la pression de l'eau est plus basse que 0,02 MPa ou est plus élevée que 0,8 MPa pour éviter d'endommager l'alimentation.

### ANTI-BÉLIERS

Des anti-béliers (ou dômes d'air) peuvent être installés si un cognement ou coup de bélier est perçu dans la tuyauterie à l'arrêt de l'écoulement de l'eau. Les anti-béliers sont plus efficaces en effectuant leur installation le plus près que possible des robinets d'alimentation en eau, voir illustration ci-dessous.

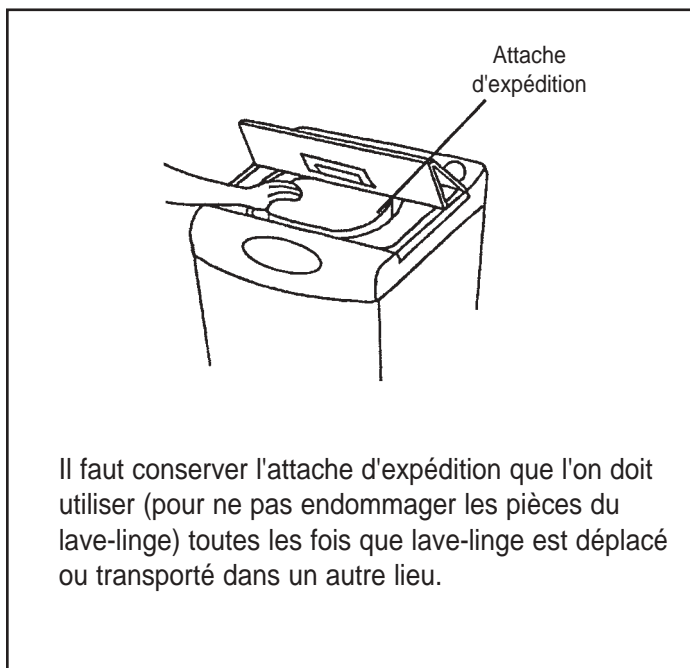




## INSTALLATION DU LAVE-LINGE

### PREMIÈRE ÉTAPE

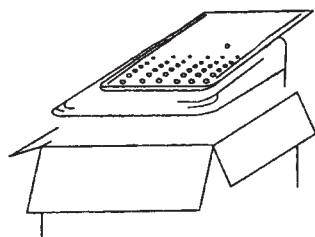
Enlevez l'attache d'expédition et insérez la plaque antibruit sur le lave-linge.



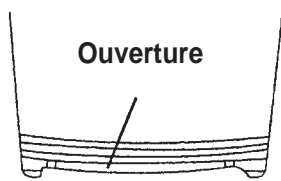
### MISE EN GARDE :

- Ne mettez pas vos mains à l'intérieur du tambour en rotation.
- Ne faites pas gicler d'eau sur le tableau de commande.
- Ne laissez pas de vêtements mouillés sur le tableau de commande.
- L'interrupteur de sécurité va arrêter automatiquement le cycle d'essorage si la charge de linge est répartie de façon inégale (déséquilibrée) à l'intérieur du tambour. Ouvrez le couvercle et répartissez le linge de façon égale, ensuite fermez le couvercle pour redémarrer.
- Lorsque vous avez fini le lavage, fermez les robinets d'alimentation

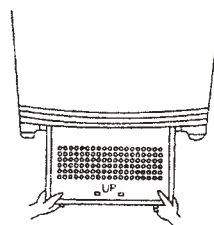
Retirez la plaque antibruit de son emballage.



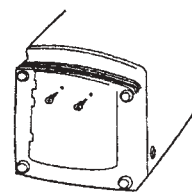
L'ouverture de la plaque antibruit se trouve à la partie inférieure du lave-linge



Insérez la plaque antibruit à l'intérieur du socle du lave-linge.



Posez sur le côté le lave-linge et fixez fermement la plaque antibruit à l'aide des vis.



## DEUXIÈME ÉTAPE

### Installation de tuyau simple (applications portatives)

Votre lave-linge est pourvu d'accessoires faciles à installer permettant le branchement de l'appareil à une seule source d'alimentation en eau.

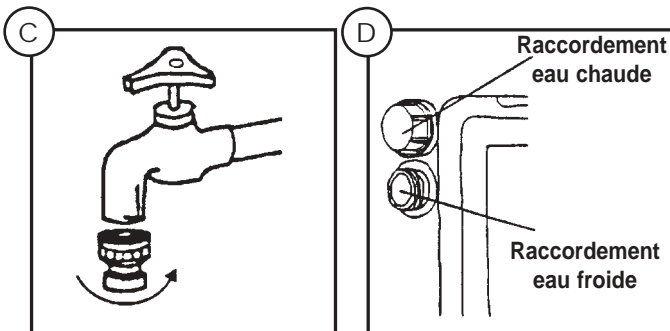
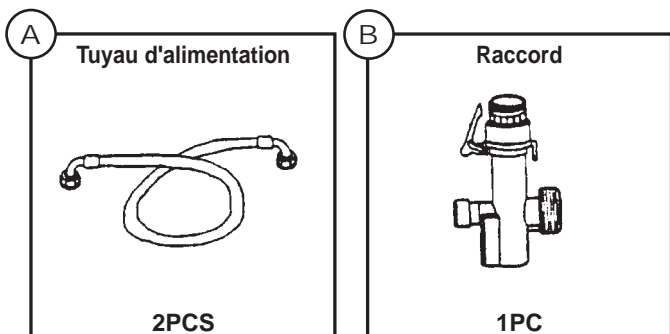
#### Accessoires Fournis :

2 tuyaux d'alimentations **Fig. A**

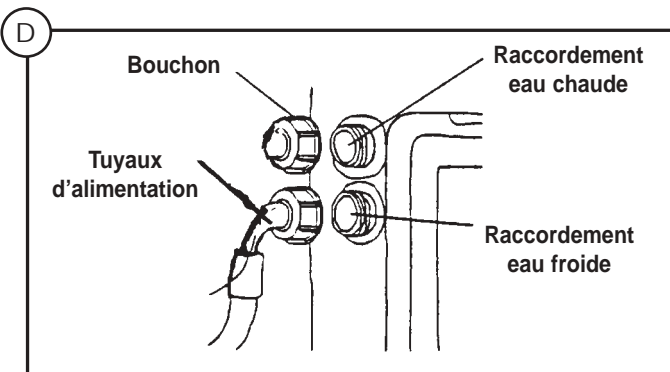
1 un tuyau d'alimentation "Raccord rapide". **Fig. B**

1 adaptateur de robinet. **Fig. C**

1 bouchon de la prise d'entrée d'eau **Fig. D**



**AVIS IMPORTANT:** Pour l'installation du lave-linge mobile (celui qui utilise un seul tuyau d'alimentation) il sera nécessaire d'obturer par un « bouchon » le côté de la prise d'entrée d'eau chaud/froid qui n'est pas utilisé. **Fig. D**



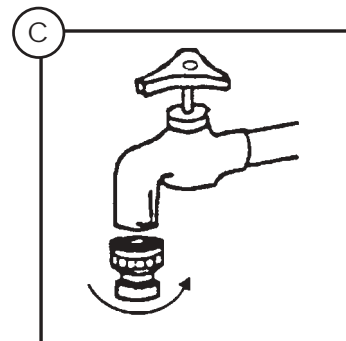
Si le « bouchon » sur le côté ouvert de la prise d'entrée d'eau n'est pas installé, des fuites provenant de la prise d'entrée peuvent se produire au cours des cycles de remplissage de l'eau.

**NOTA PARTICULIER:** Selon le côté de la prise d'entrée d'eau (Chaud/Froid) où le bouchon est installé, certains programmes de remplissage de lavage/température "WASH/TEMP" ne vont pas fonctionner. C.-à-d.

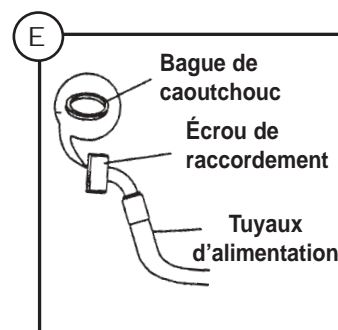
- Si vous obtenez la prise d'entrée D'EAU CHAUDE (celle du haut), il ne sera pas possible de choisir le programme de remplissage froid/froid, lavage/température "COLD/COLD WASH/TEMP". Vous pouvez seulement choisir entre les programmes de remplissage tiède/froid "WARM/COLD" ou chaud/froid, lavage/température "HOT/COLD WASH/TEMP" (sous le réglage froid/froid "COLD/COLD" aucune eau ne va couler dans le tambour).
- Si vous obtenez la prise d'entrée d'EAU FROIDE (celle du bas), il ne sera pas possible de choisir le programme de remplissage chaud/froid, lavage/température "HOT/COLD WASH TEMP". Vous pouvez seulement choisir entre les programmes de remplissage chaud/froid « HOT/COLD ou froid/froid, lavage/température "COLD/COLD WASH/TEMP" (sous le réglage chaud/froid "HOT/COLD", aucune eau ne va couler dans le tambour).

#### Raccordement du tuyau d'alimentation :

- Vissez l'adaptateur de robinet au robinet. **Fig. C** (vérifiez la présence de fuites, utilisez du ruban Teflon pour les arrêter le cas échéant).



- Installez une bague de caoutchouc à chaque extrémité du tuyau de remplissage. **Fig. E**



- Raccordez le tuyau de remplissage (avec 90° elbow) au raccord de vidange CHAUD/FROID situé à l'arrière de la laveuse. Serrez modérément. (il faut se rappeler d'installer la "prise" sur la vidange quand ce n'est pas en service.)
- Raccordez l'extrémité opposée du tuyau directement au raccord rapide. **Fig. F**
- Raccordez le raccord rapide à l'adaptateur du robinet, en tirant le collant externe de raccord rapide vers le vas tout en poussant le raccord rapide vers le haut sur l'adaptateur du robinet. Une fois que le collant externe est relâché le raccord rapide verrouillera à place. **Fig. H**
- Ouvrez lentement le robinet d'alimentation et vérifiez la présence de fuites à tous les points de raccordement de l'alimentation en eau.
- Si vous constatez une fuite, fermez immédiatement l'alimentation en eau et effectuez les réparations nécessaires ou remplacez les raccordements défectueux. Si vous ne pouvez pas faire vous-même les réparations appropriées, appelez le numéro sans frais **D'ASSISTANCE À LA CLIENTÈLE** au : **1 800 26 DANBY** et demandez de l'aide.

**NOTA :** Une fois que l'alimentation en eau du lave-linge est ouverte, le tuyau d'alimentation est sous pression. (Même si l'alimentation en eau est coupée immédiatement.)

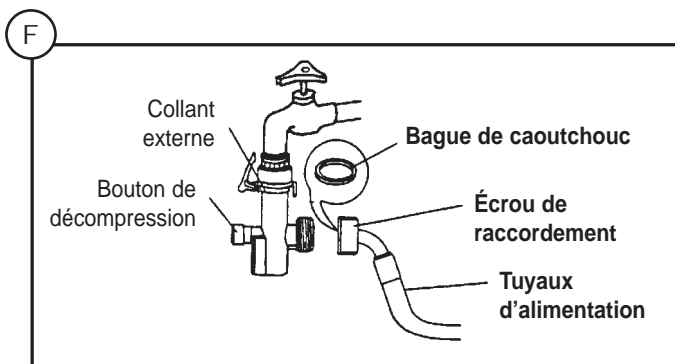
**NOTA :** Si vous ne diminuez (relâchez) pas la pression dans le tuyau avant d'essayer de débrancher le tuyau du robinet, cela peut provoquer des jets d'eau à haute pression.

**MISE EN GARDE :** La température de l'eau d'arrivée peut être très chaude et les jets d'eau à haute pression peuvent causer des brûlures graves.

**NOTA :** Pour réduire la pression de tuyau, fermez le robinet. Enfoncez et "Maintenez" le bouton "rouge" (valve de détente) situé sur la partie avant du raccordement rapide jusqu'à ce que l'écoulement de l'eau s'arrête.

#### Fig. F.

Quand l'eau ne coule plus, la pression dans le tuyau a diminué et il est sans danger de débrancher le tuyau de l'adaptateur de robinet.



## Installation permanente (tuyau double) :

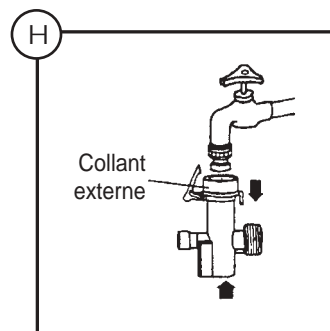
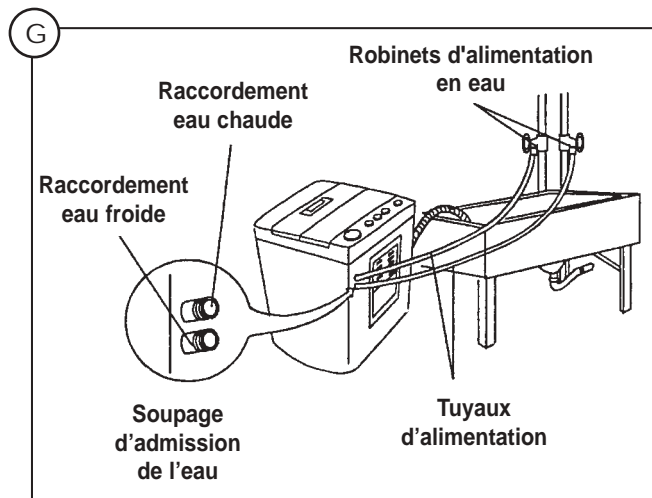
Si on doit installer de façon permanente votre lave-linge, il faut installer les deux tuyaux de remplissage. Les accessoires suivants ne sont pas requis pour une installation permanente ;

- Un tuyau d'alimentation "Raccord rapide".
- Un adaptateur de robinet.
- Un bouchon de prise d'entrée d'eau.

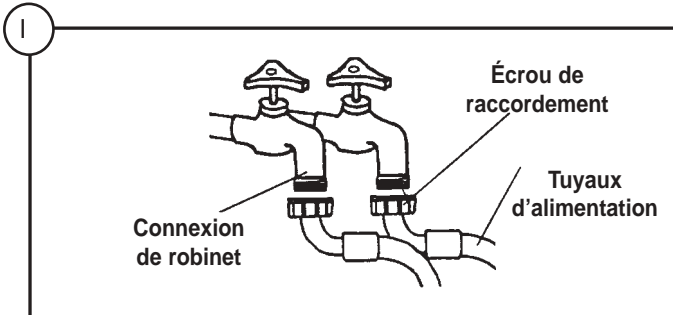
Nous recommandons que vous entreposiez ces pièces dans un endroit sûr pour une utilisation ultérieure, dans le cas où vous changeriez votre méthode d'installation.

### Raccordement des tuyaux d'alimentation :

- Installez une bague de caoutchouc à chaque extrémité du tuyau de remplissage.
- Raccordez respectivement les deux tuyaux de remplissage (avec le coude 90°) aux deux prises d'entrée d'eau chaude et froide « HOT & COLD » situées à l'arrière du lave-linge et serrez de façon modérée. **Fig. G**



- Raccordez l'extrémité libre des tuyaux de remplissage à leurs robinets d'alimentation froid et chaud "HOT & COLD". **Fig. I** IMPORTANT : Assurez-vous que tuyau d'alimentation en eau chaude "HOT" est branché à la prise d'entrée d'eau chaude "HOT" (celle du haut) et que le tuyau d'alimentation en eau froide "COLD" est raccordé à la prise d'entrée d'eau froide "COLD" (celle du bas). **Fig. I**



- Ouvrez lentement les deux robinets d'alimentation et vérifiez la présence de fuites à tous les points de raccordement de l'alimentation en eau.
- Si vous constatez une fuite, fermez immédiatement l'alimentation en eau et effectuez les réparations nécessaires ou remplacez les raccordements défectueux.
- Si vous ne pouvez pas faire vous-même les réparations appropriées, appelez le numéro sans frais **D'ASSISTANCE À LA CLIENTÈLE**, soit le : **1 800 26 - DANBY** et demandez de l'aide.

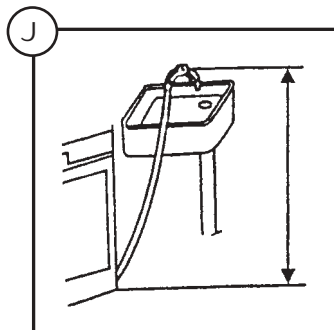
## TROISIÈME ÉTAPE :

### Raccordez le boyau de vidange au receveur de vidange.

**Installation mobile:** Accrochez le boyau de vidange sur le bord du bac à laver le linge ou de l'évier de cuisine. Assurez-vous que le boyau ne peut se déplacer accidentellement quand l'eau de vidange se vide.

**Installation permanente:** Insérez l'extrémité du boyau de vidange directement dans le tuyau de vidange ou accrocher l

e sur le bord du bac à laver le linge. **NOTA:** Le point le plus haut du boyau de vidange doit se situer entre 26 po ~46 po au-dessus du niveau du plancher, autrement l'efficacité du pompage de l'eau peut être diminuée **Fig. J**



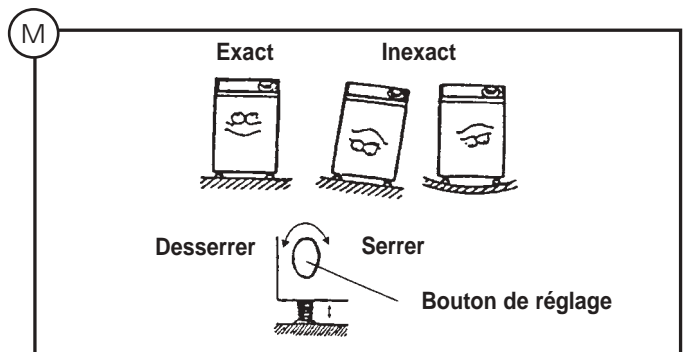
## QUATRIÈME ÉTAPE :

### Mise à niveau du lave-linge.

Pour empêcher les vibrations et les mouvements inutiles au cours du lavage et du cycle d'essorage, le lave-linge doit être installé sur un plancher solide et à niveau. Cela est réalisé en utilisant le bouton de réglage de niveau situé sur la partie inférieure droite du lave-linge. Pour modifier la hauteur du pied réglable, dévissez le bouton de réglage de niveau, mettez le lave-linge à niveau et resserrez lorsque le lave-linge est équilibré. **Fig. M**

L'angle d'inclinaison du lave-linge ne doit pas être plus que de deux (2°) degrés.

Mettez le lave-linge à une distance de 5 cm (2 po) au moins du mur.

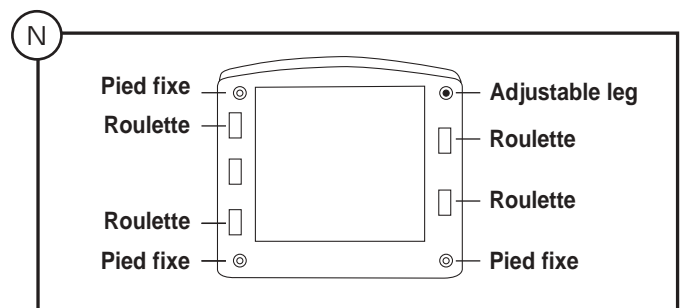


**Installation du lave-linge mobile:** Dans ce cas, le lave-linge est pourvu de quatre roulettes pivotantes (4) "nord/sud" qui peuvent être facilement installés et permettre de rapprocher ou d'éloigner le lave-linge de l'évier.

Mettez le lave-linge sur son arrière.

Installez les roulettes à la base comme cela est illustré.

**Fig N**



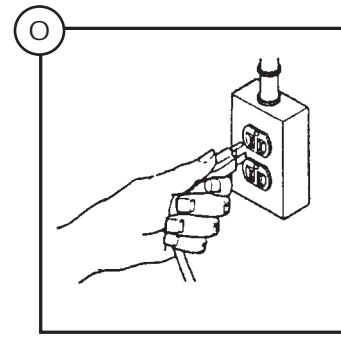
Remettez le lave-linge dans sa position verticale. Quand le lave-linge est à l'endroit désiré, réglez le pied réglable à une hauteur légèrement plus élevée que celle de la roulette avant pour empêcher tout mouvement du lave-linge pendant le lavage et le cycle d'essorage.

**NOTA:** Tous les mouvements ne peuvent pas être totalement éliminés, cela est normal.

## CINQUIÈME ÉTAPE:

### **Branchez le lave-linge.**

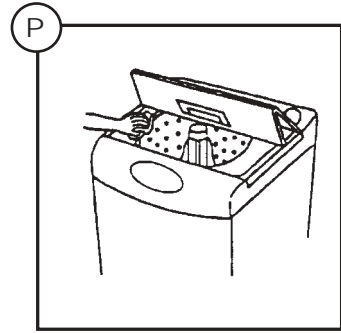
Reportez-vous à la partie sur l'installation électrique avant de brancher le lave-linge.



## SIXIÈME ÉTAPE:

### **Essayez l'intérieur du lave-linge avant de commencer à l'utiliser.**

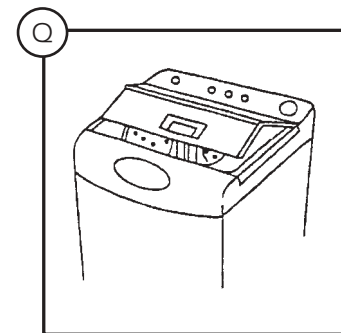
Lisez le Guide d'utilisation et d'entretien. Fig. P



## SEPTIÈME ÉTAPE :

### **Vérifiez l'interrupteur de sécurité.**

Le cycle d'essorage doit s'interrompre quand on ouvre le couvercle.

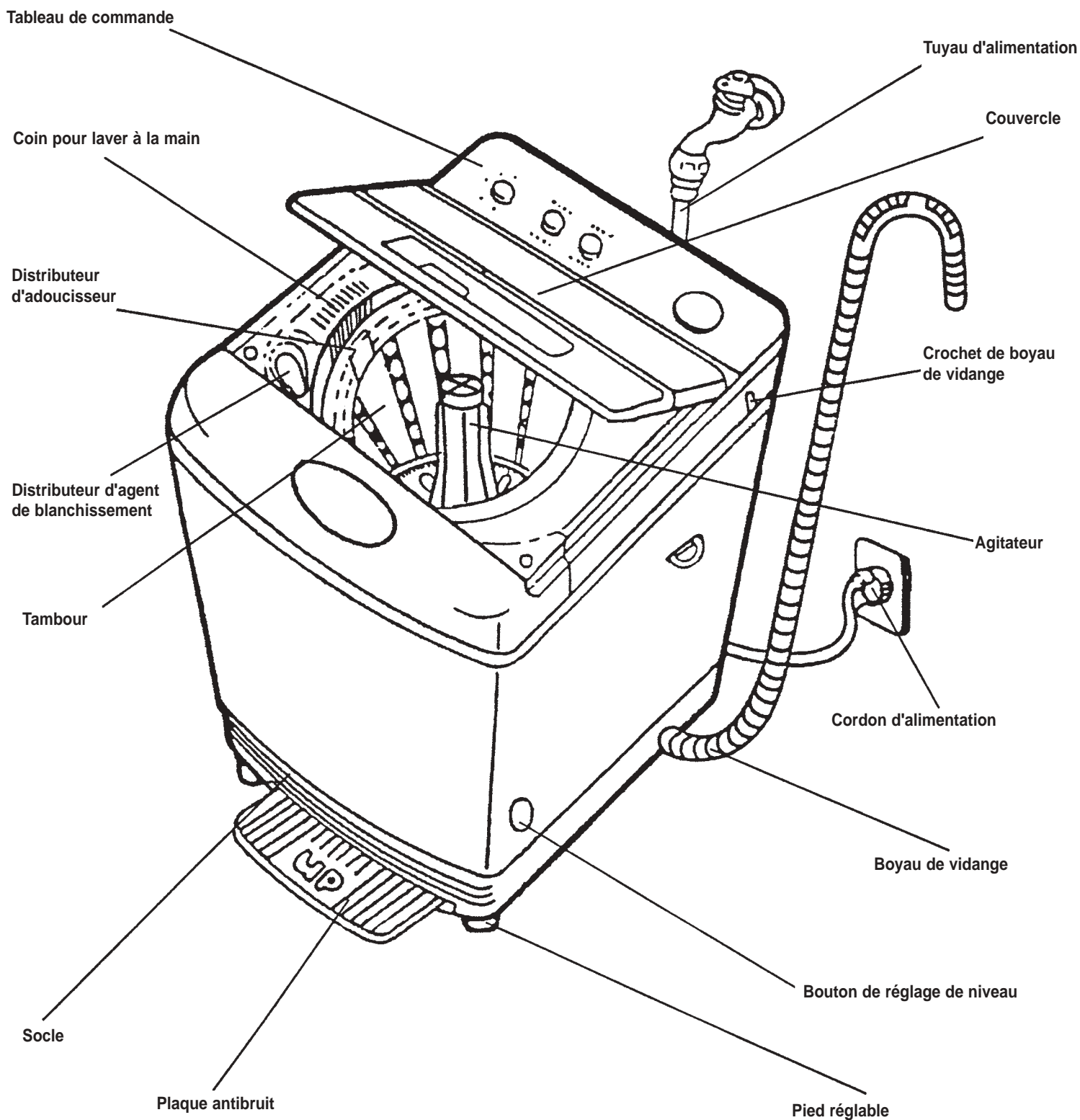


### PISTE RAPIDE POUR INSTALLER LA LAVEUSE

(consultez le manuel d'utilisation pour plus de détails)

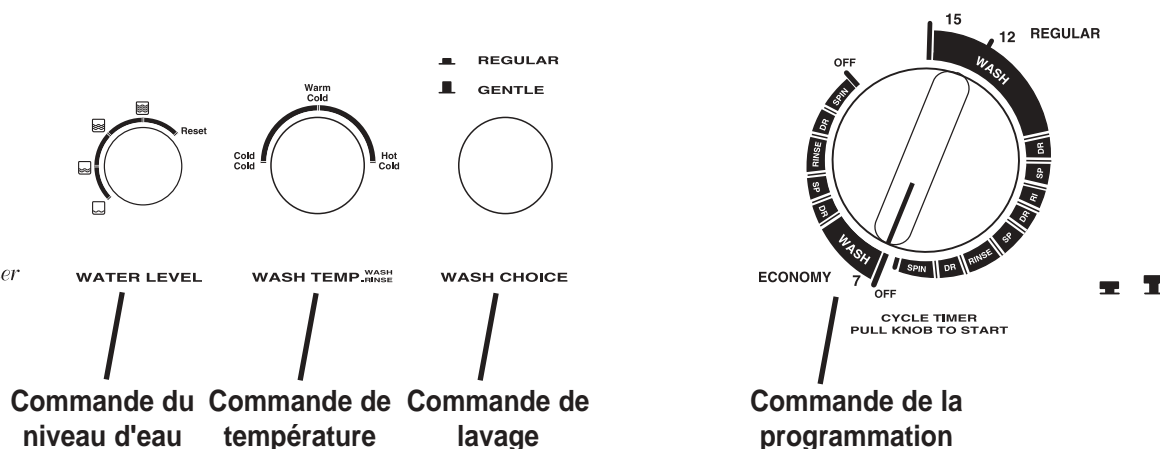
- Enlevez l'attache d'expédition
  
- Raccordez les tuyaux d'alimentation
  
- Raccordez le boyau au receveur de vidange.
  
- Installez le lave-linge sur un plancher solide et à niveau.
  
- Branchez le lave-linge.
  
- Essuyez l'intérieur du lave-linge, lisez le guide d'utilisation et d'entretien.
  
- Vérifiez l'interrupteur de sécurité.

# NOMENCLATURE DES PIÈCES



## TABLEAU DE COMMANDE

**Danby**<sup>®</sup> Designer



## AVANT LE LAVAGE

### PRÉPAREZ LE CHARGEMENT EN VÊTEMENTS.

Chargez les vêtements par le poids sans dépasser les 4 kg. Mélangez le linge de grandeur différente pour obtenir le meilleur lavage possible.

Ne bourrez pas le tambour de vêtements. Il ne faut pas les entasser ou les entourer autour de l'agitateur.

Les vêtements doivent circuler librement dans l'eau de lavage pour assurer un bon nettoyage. Les vêtements doivent se retourner, s'enfoncer et ensuite réapparaître.

En lavant du linge de grande dimension, le tambour ne doit pas être aussi plein que pour les autres charges.

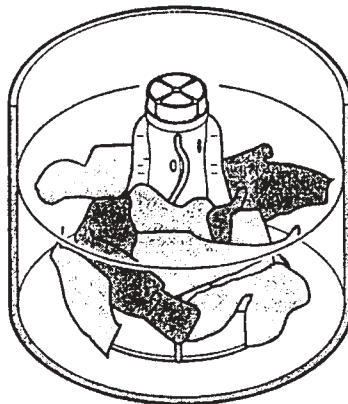
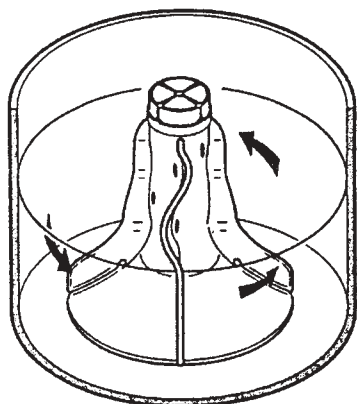
Le niveau de l'eau de votre lave-linge doit correspondre à la taille de votre charge.

Des petites charges utiliseront moins d'eau. Il doit avoir assez d'eau dans le tambour pour permettre au linge de se retourner et de se déplacer librement.

Un excès de charge dans le tambour peut avoir comme résultat un mauvais lavage et rinçage.

Un excès de charge peut créer des plis au linge ou le déchirer.

### Niveau del'eau



**Bien**

**Mal**



## TEMPÉRATURE DE LAVAGE

### **Eau chaude**

L'eau chaude donne les meilleurs résultats pour nettoyer et désinfecter le linge. Mais elle ne convient pas à toutes les sortes de linge. Elle convient bien au blanc solide et au linge de couleur résistante, au linge très sale et aux couches de bébé.

### **Eau tiède**

En utilisant l'eau tiède, il y a moins de chance que le linge ne déteigne. Utilisez avec du linge modérément ou légèrement sale, qui peut perdre sa couleur ou de couleur foncée, infroissable, en soie, en laine, en nylon et en acrylique.

### **Eau froide**

L'eau froide est moins efficace pour le nettoyage que l'eau chaude ou tiède, mais elle réduit la formation de plis et la décoloration. Il convient de l'utiliser pour laver des vêtements délicats et pour le rinçage de toutes sortes de tissus.

### **Énergie**

Vous pouvez économiser de l'énergie lorsque vous lavez votre linge en suivant ces quelques lignes directrices :

1. Le chauffage de l'eau reste la plus grande dépense lors du lavage. Économisez sur le chauffage en effectuant des rinçages à l'eau froide.
2. Lavez à pleine charge mais sans excès de charge.
3. Sélectionnez une durée de lavage plus courte pour du linge légèrement sale.

## **COMMENT UTILISER VOTRE LAVE-LINGE**

### **A.) Déterminez le cycle approprié**

- Enfoncez le bouton de programmation et tournez-le à la fonction choisie.
- Tirez le bouton de programmation pour commencer le programme de lavage.

#### **AVERTISSEMENT :**

On peut tourner le bouton de programmation seulement dans le sens des aiguilles d'une montre quand on appuie dessus.

### **B.) Pour laver le linge**

#### **IMPORTANT :**

Avant d'utiliser votre nouveau lave-linge, soyez certain que le cordon d'alimentation du lave-linge est branché dans une prise polarisée et correctement mise à terre avec la bonne tension (voir la plaque de série). Soyez certain que les tuyaux du lave-linge sont raccordés aux robinets d'eau chaude et froide, et que les robinets sont ouverts. Soyez certain que le boyau de vidange n'est pas déformé et qu'il est bien inséré dans la conduite d'écoulement. Voir les INSTRUCTIONS D'INSTALLATION pour les détails sur l'installation correcte du lave-linge.

Avant d'utiliser le lave-linge pour la première fois, essayez l'intérieur de la cuve de lavage avec un linge imprégné de savon.

1. **Chargez le blanchisserie** et ajoutez le détergent (consultez la section "Instructions Générales de Lavage" pour l'usage correct du détergent)
2. **Niveau de l'eau**, sélectionnez le niveau d'eau selon la quantité de linge. La fonction de remplissage vous permet d'ajouter de l'eau pendant le fonctionnement

(tournez le bouton de niveau d'eau à RESET et maintenir pendant 2-3 secondes. Ensuite tournez au niveau choisi).

#### **3. Choix de lavage,**

Mode normal, enfoncez le bouton pour le choix du lavage « WASH CHOICE ». Mode délicat, relâchez le bouton.

#### **4. Fermez le couvercle**

Le cycle d'essorage ne fonctionne pas si le couvercle est ouvert.

#### **5. Réglez les températures de lavage et de rinçage "WASH/RINSE"**

**Nota:** Si votre lave-linge est installé de façon permanente aux deux alimentations d'eau chaude et froide « HOT/COLD », le lave-linge va fournir un rinçage à froid dans tous les réglages de température. Si votre lave-linge est mobile, raccordé à une seule alimentation d'eau, les températures de lavage et de rinçage seront les mêmes. Voir le "nota particulier" sous l'installation (un seul tuyau) de lave-linge mobile.

### **C.) Minuterie**

Quoique les cycles du lave-linge sont automatiques, la minuterie peut être réglée de nouveau pour allonger, raccourcir ou répéter une partie du cycle.

Pour régler ou régler de nouveau la minuterie, poussez le bouton de la minuterie pour arrêter le lave-linge.

Maintenez la minuterie fermement tout en tournant dans le sens des aiguilles d'une montre au réglage choisi. Tirez le bouton de la minuterie pour démarrer le lave-linge.



## SOINS PARTICULIERS CONCERNANT LE LAVAGE

### Tricots

Une variété de tricots est utilisée pour de nombreuses sortes de vêtements et des fournitures et accessoires de maison.. Beaucoup de tricots sont lavables à la machine, certains sont lavables à la main et d'autres doivent être nettoyés à sec. Quant vous faites un achat, vérifiez l'étiquette d'entretien comportant les directives à suivre. Ils (Les vêtements?) peuvent se rétrécir ou détendre une fois exposés à l'eau si ces directions ne sont pas suivies.

### Tricots en rayonne

La rayonne s'étire et rétrécit. Traitez comme un tissu délicat et lavez avec douceur.

### Tricots en coton

À moins que l'étiquette indique que c'est du coton pré-rétréci, les tricots en coton vont probablement rétrécir un peu. Trop sécher peut favoriser le rétrécissement des tricots.

L'eau de lavage doit être chaude ou tiède selon la couleur et l'état de propreté. L'eau de rinçage doit être froide.

### Tricots en fibres synthétiques

Les tricots en fibres synthétiques ou les mélanges contenant un pourcentage élevé de fibres synthétiques vont généralement garder leur forme. Lorsque vous faites un achat, assurez-vous que les garnitures (y compris les ceintures), sont lavables à la machine, que les coutures ne sont pas effilochées et que les fermetures à glissière et les garnitures sont bien fixées.

### Chandails de laine

Les chandails à texture souple ou de confection délicate demandent un lavage à la main délicat. Rincez à grande eau. Bloquez pour garder la forme et séchez à plat.

Pour les chandails étiquetés « lavable à la machine » suivre les directives du fabricant.

Séchez à plat. Trop de brassage et de culbutage sont les causes principales du rétrécissement de la laine.

### Tricots en laine

Nettoyez à sec les tricots en laine à moins qu'ils ne soient étiquetés « lavable à la machine », suivez les directives du fabricant.

## INSTRUCTIONS D'ENTRETIEN

### Hivernage

Si le lave-linge est livré par temps froid (sous le point de congélation), ou s'il est entreposé en hiver dans un endroit ou une pièce non chauffé au cours de l'hiver, n'essayez pas de faire fonctionner le lave-linge jusqu'à ce qu'il soit réchauffé.

### Entretien de votre lave-linge

- Utilisez seulement un linge mouillé ou imprégné de savon pour laver le tableau de commande. Des produits vaporisateurs de pré-lavage peuvent endommager le fini du tableau de commande.
- Essuyez au besoin l'extérieur du lave-linge. Si du détergent, des agents de blanchissement ou d'autres produits de nettoyage se sont répandus sur les parois du lave-linge, essuyez immédiatement. Certains produits peuvent endommager définitivement les parois.
- N'utilisez pas de tampons à récurer ou de nettoyeurs à base de produits abrasifs.
- Ne posez pas d'objets pointus ou rugueux sur ou contre le lave-linge. Le fini pourrait être endommagé.
- N'exposez pas le lave-linge aux rayons directs du soleil ou à la pluie.

- Gardez le lave-linge loin du feu ou des sources de chaleur.
- Le tambour ne nécessite pas de soins particuliers quoiqu'il faudra le rincer ou l'essuyer après le lavage d'une charge inhabituelle. Cela peut être aussi nécessaire si trop peu de détergent a été utilisé.
- Laissez le couvercle ouvert pour permettre à l'intérieur du lave-linge de sécher après utilisation. Cela peut empêcher la présence d'odeur de mois.
- Quand vous débranchez le cordon d'alimentation, ne tirez pas sur le fil, retirez bien "la fiche" et tirez.

### Protecteur contre les surcharges du moteur

Ce protecteur contre les surcharges incorporé dans le moteur va arrêter automatiquement le moteur dans le cas d'une surcharge. Le protecteur contre les surcharges va se réenclencher lui-même en deux et trois minutes et le moteur va automatiquement redémarrer. Si le protecteur contre les surcharges arrête à nouveau le moteur, n'utilisez plus le lave-linge et appelez le réparateur pour corriger le problème.

## DÉPANNAGE

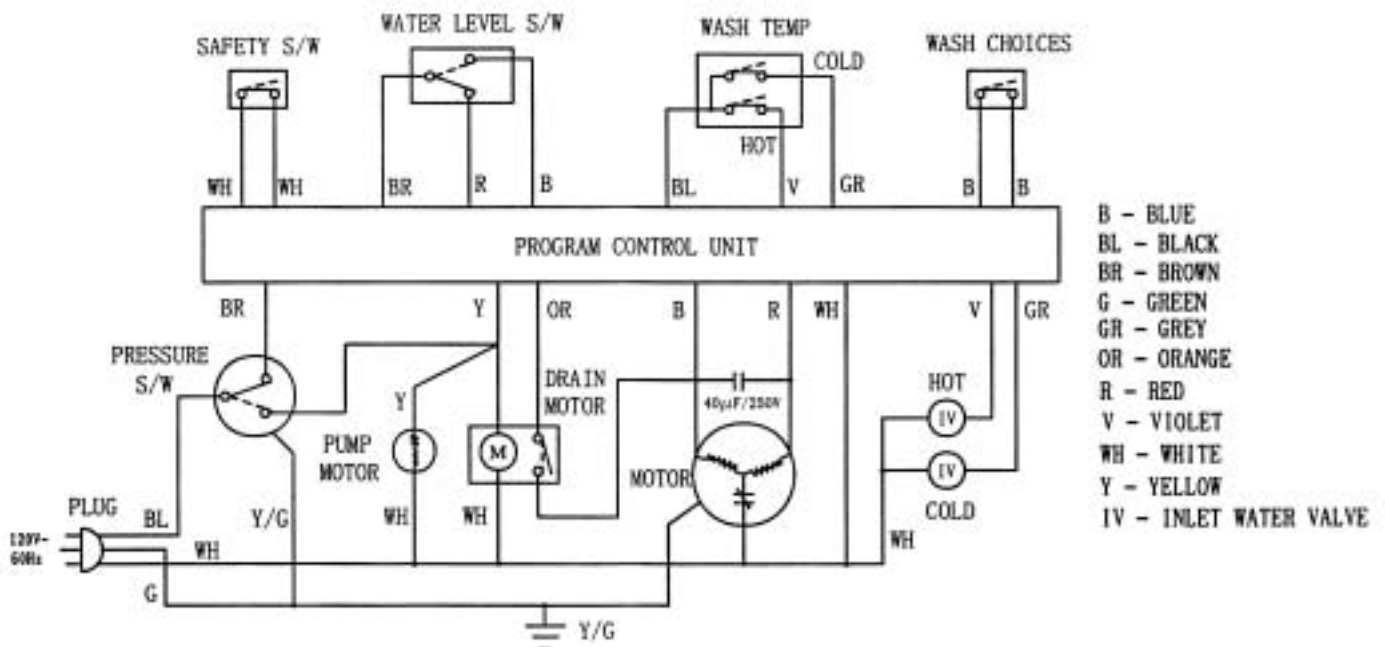
<u>Problème</u>	<u>Emplacement à être vérifié</u>
Le lave-linge ne se vide pas	<ul style="list-style-type: none"> <li>• Est-ce que le boyau de vidange est déformé ou est-il accroché trop haut ?</li> <li>• Est-ce que le boyau de vidange est gelé ou bouché ?</li> </ul>
Mauvais fonctionnement du cycle d'essorage	<ul style="list-style-type: none"> <li>• Est-ce que le linge est mal équilibré dans le tambour ?</li> <li>• Est-ce que le couvercle est fermé ?</li> <li>• Est-ce que le lave-linge se trouve sur un plancher à niveau ?</li> </ul>
Le lave-linge ne se remplit pas	<ul style="list-style-type: none"> <li>• Est-ce que le robinet d'alimentation est ouvert ?</li> <li>• Est-ce que la pression de l'eau est trop faible ?</li> <li>• Est-ce que le filtre de la prise d'eau est bouché ?</li> <li>• Y a-t-il de l'eau ?</li> </ul>
Mauvais fonctionnement du cycle d'essorage	<ul style="list-style-type: none"> <li>• Est-ce que le cordon d'alimentation est bien branché ?</li> <li>• Avez-vous fait sauté un fusible ou déclenché le disjoncteur ?</li> <li>• L'eau a-t-elle atteint le niveau programmé ?</li> </ul>

### Avis

- Ne faites pas fonctionner le lave-linge quand la pression de l'eau est inférieure à 0,02 Mpa ou si elle est supérieure à 0,8 MPa afin d'éviter d'endommager le système d'alimentation.

- N'utilisez pas la cuve comme un récipient d'eau et vidangez-la toujours complètement
- Fermez les robinets après utilisation du lave-linge.
- Débranchez le cordon d'alimentation.

## SCHEMA DE CÂBLAGE



# Danby® GARANTIE LIMITÉE

Cet appareil de qualité est garanti exempt de tout vice de matière première et de fabrication, s'il est utilisé dans les conditions normales recommandées par le fabricant.

Cette garantie n'est offerte qu'à l'acheteur initial de l'appareil vendu par Danby ou par l'un des ses distributeurs agréés et elle ne peut être transférée.

## CONDITIONS

*Première année* Pendant la première (1) année, toutes pièces électriques de ce produit s'avèrent défectueuses seront réparées ou remplacées, selon le choix du garant, sans frais à l'acheteur INITIAL

*Pour bénéficier du service sous garantie* Danby réserve le droit de limiter le rayon du "Service au domicile" selon la proximité d'un dépôt de service autorisé. Le client sera responsable pour le transport et tous les frais d'expédition de tout appareil exigeant le service en dehors des limites du "Service au domicile" au dépôt de service autorisé le plus proche. S'adresser au détaillant qui a vendu l'appareil, ou à la station technique agréée de service la plus proche, où les réparations doivent être effectuées par un technicien qualifié. Si les réparations sont effectuées par quiconque autre que la station de service agréée ou à des fins commerciales, toutes les obligations de Danby en vertu de cette garantie seront nulles et non avenues.

## EXCLUSIONS

En vertu de la présente, il n'existe aucune autre garantie, condition ou représentation, qu'elle soit exprimée ou tacite, de façon manifeste ou intentionnelle, par Danby Products Limitée (Canada) ou Danby Products Inc. (E.-U. d'A.) ou ses distributeurs agréés. De même, sont exclues toutes les autres garanties, conditions ou représentations, y compris les garanties, conditions ou représentations en vertu de toute loi régissant la vente de produits ou de toute autre législation ou règlement semblables.

En vertu de la présente, Danby Products Limitée (Canada) ou Danby Products Inc. (E.-U. d'A.) ne peut être tenue responsable en cas de blessures corporelles ou des dégâts matériels, y compris à l'appareil, quelle qu'en soit la cause. Danby ne peut pas être tenue responsable des dommages indirects dus au fonctionnement défectueux de l'appareil. En achetant l'appareil, l'acheteur accepte de mettre à couvert et de dégager Danby Products Limitée de toute responsabilité en cas de réclamation pour toute blessure corporelle ou tout dégât matériel causé par cet appareil.

## CONDITIONS GÉNÉRALES

La garantie ou assurance ci-dessus ne s'applique pas si les dégâts ou réparations sont dus aux cas suivants:

- 1) Panne de courant;
- 2) Dommages subis pendant le transport ou le déplacement de l'appareil;
- 3) Alimentation électrique incorrecte (tension faible, câblage défectueux, fusibles incorrects);
- 4) Accident, modification, emploi abusif ou incorrect de l'appareil;
- 5) Utilisation dans un but commercial ou industriel;
- 6) Incendie, dommages causés par l'eau, vol, guerre, émeute, hostilités, cas de force majeure (ouragan, inondation, etc.);
- 7) Visites d'un technicien pour expliquer le fonctionnement de l'appareil au propriétaire.

Une preuve d'achat doit être présentée pour toute demande de réparation sous garantie. Prière de garder le reçu. Pour faire honorer la garantie, présenter ce document à la station technique agréée ou s'adresser à:

Service sous-garantie	
Canada	E.-U. d'A
Domicile	Domicile

Danby Products Limitée  
PO Box 1778, 5070 Whitelaw Road,  
Guelph, Ontario, Canada N1H 6Z9  
Téléphone: (519) 837-0920 Télécopieur: (519) 837-0449

11/00

Danby Products Inc.  
PO Box 669, 101 Bentley Court,  
Findlay, Ohio, U.S.A. 45839-0669  
Telephone: (419) 425-8627 FAX: (419) 425-8629

## ÍNDICE

Conserve estas instrucciones .....	.38
Instrucciones de instalación .....	.39
Requisitos sobre la electricidad .....	.40
Requisitos sobre el suministro de agua .....	.41
Instalación de la lavadora .....	.42
Lista de control para la instalación .....	.47
Identificación de las piezas .....	.48
Tablero de controles .....	.49
Antes de lavar .....	.49
Cómo usar la lavadora .....	.50
Información general sobre el lavado .....	.51
Instrucciones de lavado de prendas delicadas .....	.52
Instrucciones de mantenimiento para el usuario .....	.52
Búsqueda de anomalías .....	.53
Diagrama del cableado .....	.53
Garantía .....	.54

## INTRODUCCIÓN

Le agradecemos su compra de un artefacto electrodoméstico Danby. Antes de hacer funcionar esta unidad, sírvase leer y conservar estas instrucciones.

Número de modelo: \_\_\_\_\_ Número de serie: \_\_\_\_\_

Fecha de compra: \_\_\_\_\_ Lugar de compra: \_\_\_\_\_

Nombre y dirección del distribuidor: \_\_\_\_\_

Esta información será necesaria en caso de que deba darse servicio de mantenimiento a su artefacto o si desea formular cualquier pregunta. Para comunicarse con un representante de servicios al cliente, llame GRATUITAMENTE a Danby al: 1-800-26- **Danby**<sup>®</sup>

### LEA DETENIDAMENTE ESTAS INSTRUCCIONES Y CONSÉRVELAS

Éstas son instrucciones para el usuario. Describen el artefacto y explican cómo instalarlo y hacerlo funcionar correctamente para usarlo de manera segura.

### NOTA:

Este artefacto ha sido embalado cuidadosamente e inspeccionado completamente antes de salir de la fábrica. Al aceptar su despacho, el transportista asumió la responsabilidad sobre su condición a la entrega. Toda reclamación por pérdidas o daños sufridas en tránsito deben presentarse directamente al transportista.

## CONSERVE ESTAS INSTRUCCIONES

1. Lea detenidamente este manual de instrucciones antes de hacer funcionar la lavadora.
2. Consulta las instrucciones de Poner a Tierra (sobre Especificaciones eléctricas) en este manual para asegurarse que la lavadora está conectado correctamente a tierra..
3. No lave prendas que hayan sido limpiadas, lavadas, remojadas en gasolina, disolventes para lavado en seco u otras sustancias inflamables o explosivas o se hayan manchado con estos, pues despiden vapores que pueden encenderse o explotar.
4. No permita que los niños jueguen con la lavadora o en ella. Es necesario supervisar con atención a los niños cuando se usa la lavadora cerca de ellos.
5. No trate de sacar nada de la lavadora mientras el agitador del tambor de la lavadora está en movimiento.
6. No instale ni guarde la lavadora en un lugar donde quede expuesta a la humedad o a la intemperie.
7. No intente forzar los controles.
8. No repare ni cambie ninguna pieza de la lavadora ni intente darle servicio de mantenimiento, a menos que específicamente se recomiende hacerlo en la guía de búsqueda de anomalías del manual de instrucciones del usuario y que usted comprenda las instrucciones y tenga la habilidad para llevarlas a cabo.
9. No agregue al agua para lavar gasolina, disolventes para lavado en seco ni otras sustancias inflamables o explosivas. Estas sustancias despiden vapores que pueden encenderse o explotar.
10. En determinadas condiciones, se puede producir hidrógeno en estado gaseoso en un sistema de agua caliente que no haya sido usado por dos semanas o más. El hidrógeno es un gas explosivo. Si el sistema de agua caliente no ha sido usado durante un período semejante, antes de usar la lavadora, abra todos los grifos de agua caliente y deje correr el agua de cada uno durante varios minutos. Con esto se liberará el hidrógeno acumulado. Este gas es inflamable, no fume ni permita ninguna llama expuesta durante ese tiempo.
11. Cambie los cordones eléctricos gastados o que tengan el enchufe flojo.
12. Para reducir el riesgo de descarga eléctrica o de incendio, NO utilice cordones de extensión o prolongación ni adaptadores para conectar la lavadora al tomacorriente.
13. Use su lavadora sólo para lo que fue diseñada: el lavado de ropa.
14. SIEMPRE desconecte la lavadora del tomacorriente antes de intentar darle servicio de mantenimiento. Para desconectarla, agarre el enchufe y tire de él, no del cordón.
15. Instale la lavadora según las INSTRUCCIONES DE INSTALACIÓN. Todas las conexiones de agua, desagüe, eléctricas y de puesta a tierra deben cumplir con los códigos locales y deben ser realizadas por personal que cuenta con la debida licencia, en los casos en que esto es un requisito. ¡No lo haga usted mismo, a menos que sepa cómo hacerlo!
16. Para reducir el riesgo de incendio, no debe ponerse en la lavadora ropa que tenga residuos de cualquier sustancia inflamable, como: aceite vegetal, aceite para cocinar, aceite para máquinas, sustancias químicas inflamables, solventes, etc. o que contengan cera o sustancias químicas como las que se usan en trapeadores y paños de limpieza. Estas sustancias inflamables pueden ocasionar autoignición del tejido.
17. No use suavizantes para tejidos ni productos para eliminar la electricidad estática, a menos que lo recomienden sus fabricantes.
18. Conserve en buena condición su lavadora. Los golpes o dejar caer cosas sobre la lavadora pueden dañar sus funciones de seguridad. Si esto ocurre, hágala revisar por un técnico de servicio calificado.
19. Cerciórese de que las conexiones de agua tengan una llave de cierre y que la conexión de la manguera de llenado esté bien ajustada. CIERRE esta llave al final de cada día de lavado.

## INSTRUCCIONES DE SEGURIDAD CONTINUADAS

20. La tapa DEBE estar cerrada en todo momento en que el tambor de la lavadora esté girando. NO trate de sortear el interruptor de seguridad permitiendo que el tambor de la lavadora gire con la tapa abierta. Si la tapa se abre cuando el tambor esta girando, un freno lo detendrá en pocos segundos. Si esto no ocurre, deje de usar la lavadora y llame a un técnico de servicio.
21. Siempre siga las instrucciones para el cuidado de las prendas de ropa de su fabricante.
22. Nunca haga funcionar la lavadora si se le ha sacado algún protector o tablero.
23. NO haga funcionar la lavadora si tiene alguna pieza rota o faltante.
24. NO trate de sortear ningún dispositivo de seguridad.

25. Si no se instala, mantiene y hace funcionar esta lavadora de acuerdo a estas instrucciones, se pueden provocar situaciones en las que se pueden ocasionar lesiones personales o daños a la propiedad.

### NOTA:

Con la ADVERTENCIA E INSTRUCCIONES IMPORTANTES DE SEGURIDAD que aparecen en este manual no se pretende cubrir todas las condiciones y situaciones posibles que se pueden presentar. Debe entenderse que el sentido común, la cautela y la prudencia son factores que NO PUEDEN incorporarse en la lavadora. Estos factores DEBEN suministrarlos la(s) persona(s) que realizan la instalación, el servicio de mantenimiento o que hace funcionar la lavadora.

Siempre comuníquese con el distribuidor, el agente que presta el servicio de mantenimiento o con el fabricante respecto a cualquier problema que se presente o condiciones que usted no comprenda.

## INSTRUCCIONES DE INSTALACIÓN

### ANTES DE COMENZAR

#### Herramientas

Para la mayoría de las instalaciones, las herramientas básicas que va a necesitar son:



#### Electricidad

Es necesario un tomacorriente polarizado de tres ranuras de 120 V~/60 Hz, puesto a tierra. Para información más detallada, consulte la sección sobre los requisitos sobre la electricidad.

#### Agua

Se necesita un grifo estándar de suministro de agua de 3/4 de pulgada, con una presión de 0.02 MPa a .08 MPa. Para información más detallada, consulte los requisitos sobre el suministro de agua.

#### Especificaciones

- |  |   |
|--|---|
| 1. Tensión nominal:  | 120V~   |
| 2. Frecuencia nominal:                                       | 60Hz  |
| 3. Corriente nominal:  | 2.5A  |
| 4. Capacidad máx. de lavado<br>y de secado por centrifugado: | 4.0 kg  |
| 5. Presión de agua de entrada:                               | 0.02 MPa ~ 0.8 MPa                                      |
| 6. Peso neto:  | 36 kg   |
| 7. Tamaño  | 545 mm x 550 mm x 890 mm<br>(Prof. x anchura x altura ) |



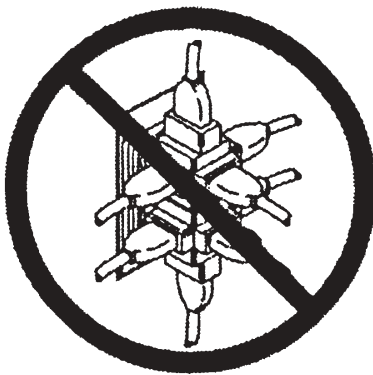
# REQUISITOS SOBRE LA ELECTRICIDAD

(120 V - 60HZ CON ENCHUFE A TIERRA DE 3 DIENTES)

## **!** ADVERTENCIA

Para disminuir el riesgo de descarga eléctrica o lesiones personales, todos los cables y conexiones de puesta a tierra DEBEN adaptarse a las disposiciones de la edición más reciente del Código nacional de electricidad, las normas ANSI/NFPA 70, y las disposiciones locales que correspondan. Es responsabilidad del consumidor hacer revisar los fusibles y disyuntores del cableado eléctrico por un electricista calificado para cerciorarse de que su domicilio esté provisto de la electricidad adecuada para el funcionamiento de la lavadora.

- No sobrecargue la lavadora
- No use ningún adaptador
- No use cordones de extensión o prolongación



### NOTA:

Haga que un electricista calificado verifique la polaridad del tomacorriente de pared. Si la lectura de la tensión es diferente de la indicada, el electricista calificado debe corregir el problema.

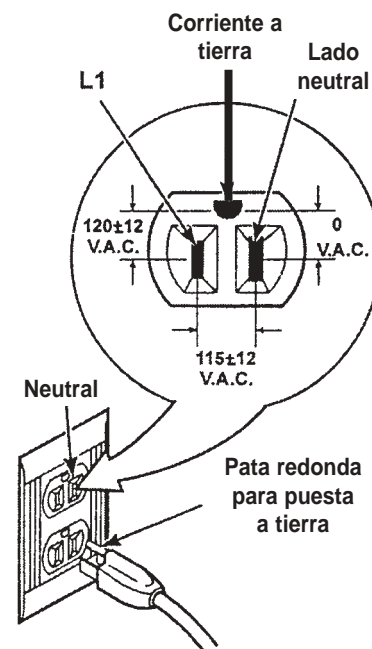
## INSTRUCCIONES PARA PUESTA A TIERRA

La lavadora debe ser puesta a tierra. En caso de una falla o avería, la conexión de puesta a tierra reduce el riesgo de una descarga eléctrica al ofrecer una vía de menor resistencia a ésta. La lavadora está provista de un cordón que tiene un conductor para puesta a tierra de equipos y un enchufe para puesta a tierra con 3 patas. El enchufe debe conectarse a un tomacorriente adecuado que haya sido instalado y puesto a tierra de conformidad con los códigos y ordenanzas locales.

No modifique el enchufe provisto con la lavadora. Si no entra en el tomacorriente, haga instalar un tomacorriente adecuado por un electricista calificado.

Si no se puede establecer un enchufe de polaridad de masa positiva y si los códigos locales permiten su uso, conecte un cable externo para puesta a tierra (con un calibre mínimo de 18, que puede comprar en una ferretería local). Conecte uno de los extremos del cable bajo uno de los tornillos (ubicados en la parte posterior de la lavadora) y el otro extremo a una conexión eficaz de puesta a tierra.

### CIRCUITO ELÉCTRICO ESTÁNDAR DE 3 CABLES, PUESTO EFICAZMENTE A TIERRA, DE 120 VOLTIOS, 60 HERTZ.



## **⚠ ADVERTENCIA**

En determinadas condiciones, se puede producir hidrógeno en estado gaseoso en un sistema de agua caliente que no haya sido usado por dos semanas o más. **EL HIDRÓGENO ES UN GAS EXPLOSIVO.** Si el sistema de agua caliente no ha sido usado durante un período semejante, antes de usar la lavadora, abra todos los grifos de agua caliente y deje correr el agua de cada uno durante varios minutos. Con esto se liberará el hidrógeno acumulado. Este gas es inflamable, no fume ni permita ninguna llama expuesta durante ese tiempo.

Los grifos de agua deben corresponder a la medida estándar de 3/4 de pulgada (19.05 mm) de los conectores hembra de manguera de jardín. **NO UTILICE CONEXIONES DE ENCAJE NI DE ABRAZADERA.**

### **NOTA:**

Debe tenerse fácil acceso a los grifos de agua para poder cerrarlos cuando no se use la lavadora.

## **TEMPERATURA DEL AGUA**

### **FRÍA**

La temperatura recomendada para el agua fría es: 50° ~ 75° F, 10° ~ 23.80° C

### **CALIENTE**

La temperatura recomendada para el agua caliente es: 135 ~ 145° F, 57 ~ 62.70° C

### **TIBIA**

Mezcla de agua fría y caliente. (La temperatura depende de la temperatura y presión del agua de las tuberías de agua fría y caliente).

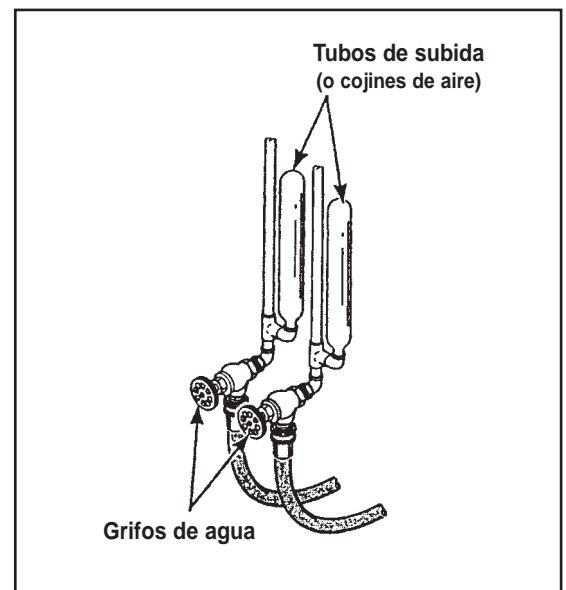
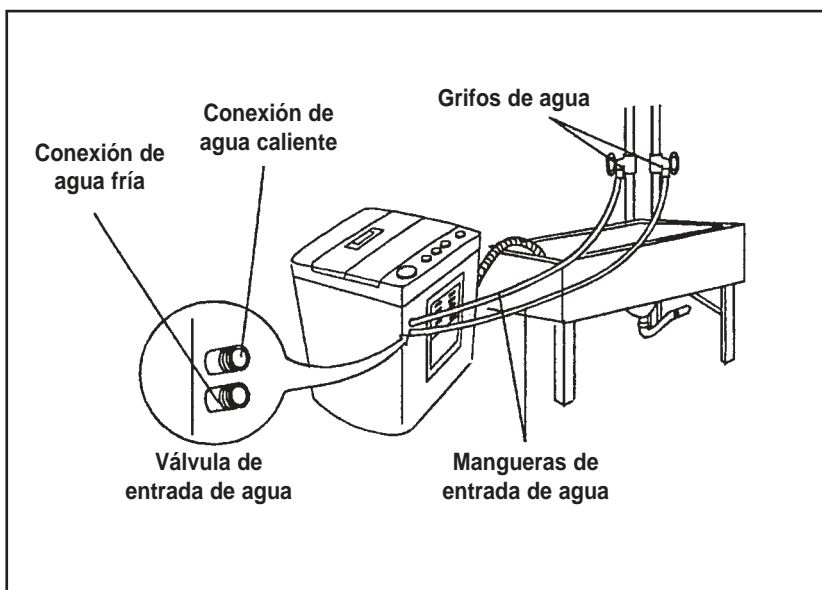
**IMPORTANTE:** El propietario debe cerrar el suministro de agua cada vez que vaya a dejar de usar la lavadora por un período largo.

### **PRESIÓN DE AGUA**

A fin de evitar daños al sistema de entrada, no haga funcionar la lavadora cuando la presión de agua sea inferior a 0.02 MPa o superior a .8 MPa.

### **TUBERÍAS DE SUBIDA**

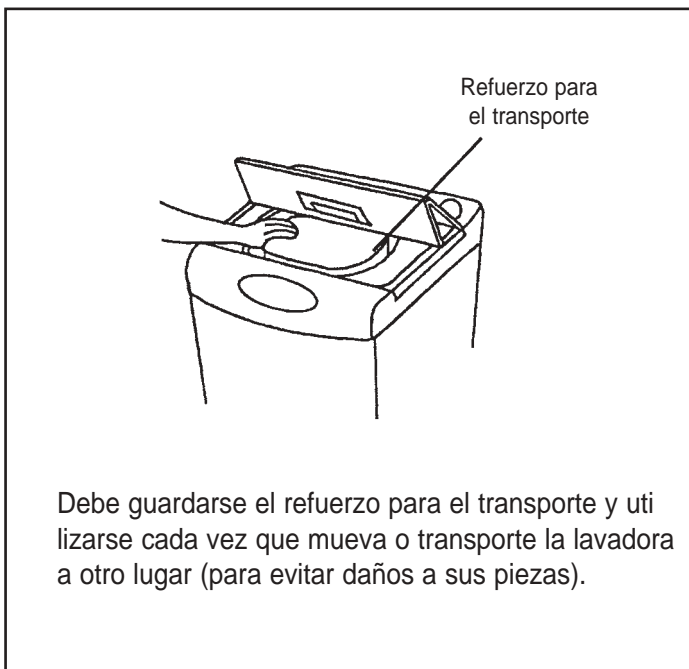
Es posible que sea necesario instalar tubos de subida (o cojines de aire) si suenan golpes en la tubería o si ésta se sacude cuando se detiene el flujo de agua. Los tubos de subida son más eficaces cuando se instalan lo más cerca posible a los grifos de agua; vea la ilustración de abajo.



# INSTALACIÓN DE LA LAVADORA

## PASO 1

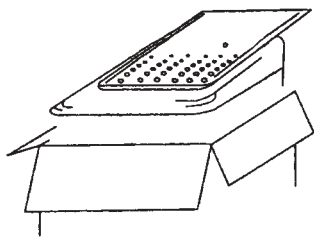
Saque el refuerzo para el transporte e introduzca la placa antivibración en la máquina de lavar.



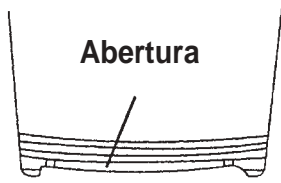
## AVISO DE PRECAUCIÓN:

- No ponga sus manos en el tambor cuando está girando
- No salpique agua sobre el tablero de controles
- No deje ropa mojada sobre el tablero de controles
- El interruptor de seguridad detendrá automáticamente la operación de centrifugado si la carga de ropa no está distribuida uniformemente (balanceada) dentro del tambor. Abra la tapa y vuelva a distribuir uniformemente la ropa, luego cierre la tapa para volver a empezar.
- Después de usarlas, cierre las tuberías de suministro de agua.

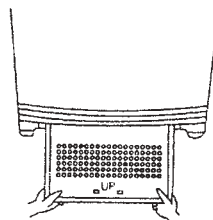
Saque la placa antivibración del embalaje.



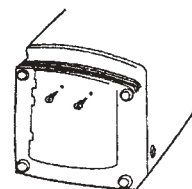
La abertura de la placa antivibración está en la parte inferior de la máquina.



Introduzca la placa antivibración en la base de la máquina de lavar.



Coloque la máquina sobre el piso y asegure la placa antivibración ajustando los tornillos.



## PASO 2:

### Installation de manguera simple (aplicaciones portátil)

La máquina de lavar está provista de accesorios de fácil instalación, lo que permite conectarla a una sola línea de suministro;

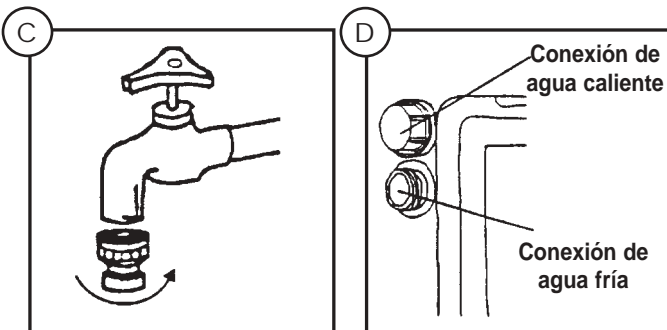
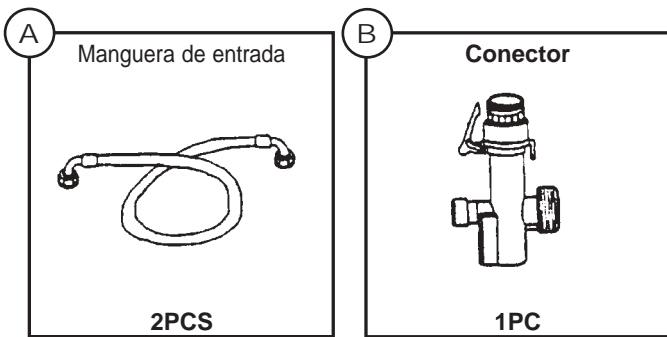
#### ACCESORIOS QUE SE INCLUYEN:

2 mangueras de entrada. **Fig. A**

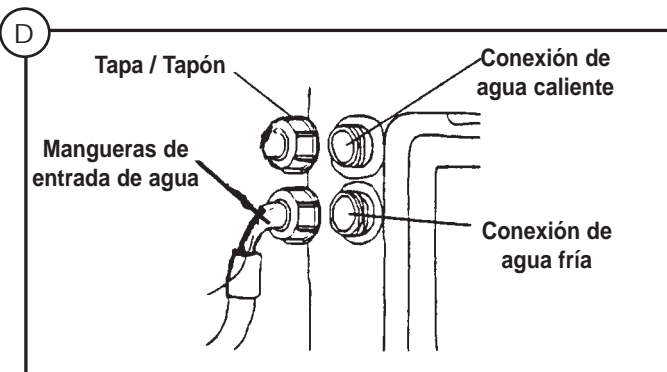
1 adaptador "Quick Connect" para manguera de entrada de agua. **Fig. B**

1 adaptador para grifo de agua. **Fig. C**

1 tapa/tapón para válvula de entrada de agua. **Fig. D**



**AVISO IMPORTANTE:** Para las instalaciones portátiles (en las que sólo se utiliza una manguera de una sola entrada) es necesario colocar una "tapa/tapón" en uno de los lados de la válvula de agua caliente/ fría que no se usa. Fig. D



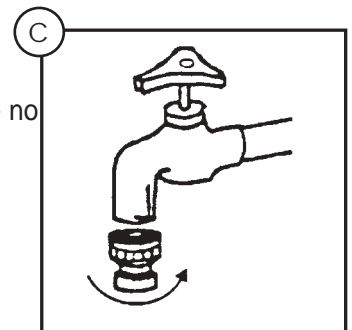
Si no se coloca la "tapa/tapón" en el lado abierto de la válvula de agua habrá un fuga de agua en la válvula durante cualquiera o todos los ciclos de llenado de agua.

**NOTA ESPECIAL:** Dependiendo de cuál de los lados de la válvula (fría/caliente) se ha colocado la tapa/tapón, no funcionarán determinados programas de llenado "WASH/TEMP" (temperatura de lavado). i.e.

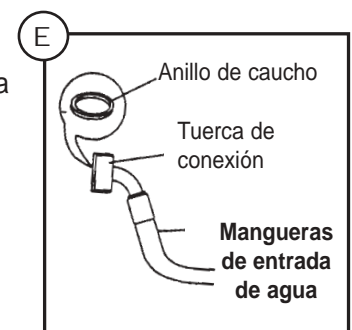
- Si coloca la tapa/tapón en la válvula (superior) de AGUA CALIENTE, no será posible seleccionar el programa de llenado de agua para lavar con agua FRÍA/FRÍA ("COLD/COLD" WASH/TEMP). Sólo puede seleccionar el programa de llenado de agua TIBIA/FRÍA (WARM/COLD) o CALIENTE/FRÍA (HOT/COLD). Con la graduación FRÍA/FRÍA (COLD/COLD) no entrará nada de agua al tambor de lavado.
- Si coloca la tapa/tapón en la válvula (inferior) de AGUA FRÍA, no será posible seleccionar el programa de llenado de agua para lavar con agua FRÍA/CALIENTE ("COLD/HOT" WASH TEMP). Sólo puede seleccionar el programa de llenado de agua TIBIA/FRÍA (WARM/COLD) o FRÍA /FRÍA (COLD/COLD WASH/TEMP). Con la graduación FRÍA/CALIENTE (COLD/HOT) no entrará nada de agua al tambor de lavado.

### Conexión de la manguera de entrada de agua:

- Atornille el adaptador al grifo. **Fig. C** (revise que no hayan fugas; si es necesario, use cinta de Teflon para eliminarlas)



- Coloque una arandela de caucho en cada extremo de la manguera de llenado. **Fig. E**



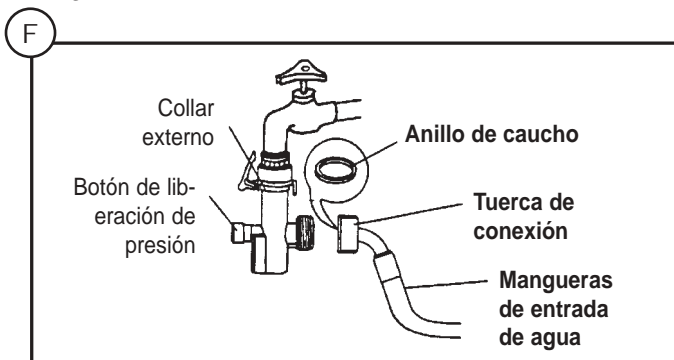
- Conecte la manguera (con 900 elbow) a la válvula de entrada de agua CALIENTE/FRÍO, ubicada en la parte posterior de la lavadora. Apriete moderadamente. (Recuerde de instalar el enchufe cuando no usa la válvula de entrada)
- Conecte el extremo opuesto de la manguera directamente a la conexión rápida. **Fig. F**
- Una la conexión rápida al adaptador del grifo de la siguiente forma: tire abajo el collar externo de la conexión rápida, mientras empuja la conexión rápida hacia arriba dentro del adaptador del grifo. Una vez que el collar externo está soltada la conexión rápida bloqueará en lugar. **Fig. H**
- Abra lentamente la tubería de suministro de agua y cerciórese de que no haya indicios de fugas en ningún lugar de conexión del suministro de agua.
- Si hay fugas, cierre inmediatamente el suministro de agua y efectúe las reparaciones necesarias o cambie cualquier conexión defectuosa. Si usted no puede hacer las reparaciones adecuadamente, llame a la LINEA DE ASISTENCIA AL CLIENTE, al teléfono: 1-800 26 DANBY para solicitar ayuda.

**NOTA:** Una vez que esté abierta la tubería de suministro de agua a la máquina, queda presurizada la manguera de entrada, (aún cuando ésta se cierre inmediatamente después).

**NOTA:** Si no se alivia (descarga) la presión de la manguera antes de intentar desconectarla del grifo, se puede producir atomización por contrapresión.

**ADVERTENCIA:** La temperatura del agua que ingresa puede ser muy alta y la atomización por contrapresión puede causar quemaduras graves o escaldaduras.

**NOTA:** Para reducir la presión de la manguera, cierra el grifo. Mantenga oprimido el botón "rojo" (de descarga de presión), que está ubicado en la parte delantera (cuerpo) del dispositivo de conexión rápida, hasta que se detenga el flujo de agua. **Fig. F.** Cuando se haya detenido el flujo de agua, se habrá descargado la presión y puede desconectar con seguridad la manguera del adaptador del grifo.



## Instalación Permanente (con dos mangueras):

Si la máquina de lavar va a ser instalada permanentemente, es necesario utilizar ambas mangueras de llenado. Para una instalación permanente no son necesarios los siguientes accesorios:

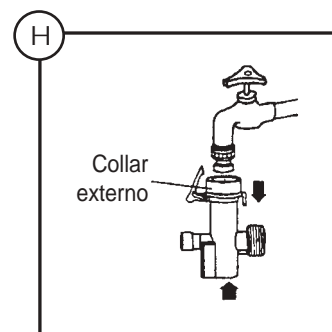
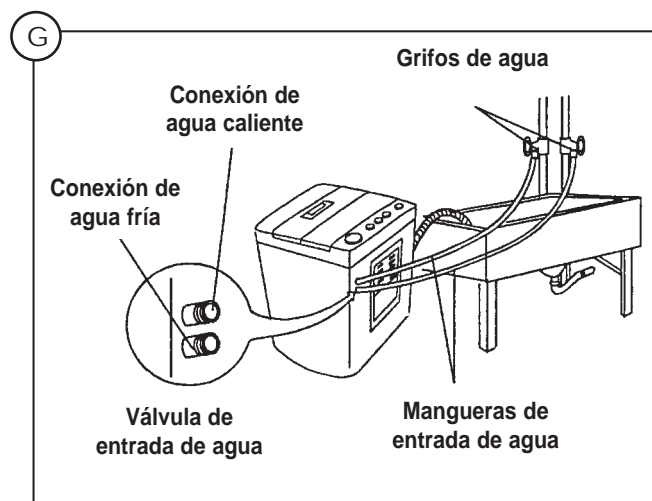
- Dispositivo de conexión rápida de manguera de entrada de agua.
- Adaptador para grifo.
- Tapa/tapón para la válvula de entrada de agua.

Le recomendamos que guarde estos accesorios en un lugar seguro para usarlos en caso de que en el futuro sea necesario cambiar la instalación.

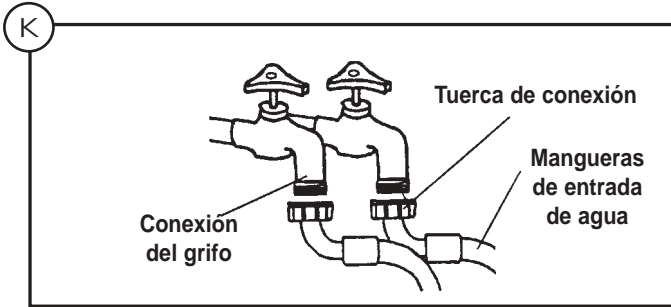
### **Conexión de las mangueras de entrada de agua:**

- Coloque una arandela de caucho en cada extremo de ambas mangueras de llenado.
- Conecte ambas mangueras de llenado (con un codo de 90°) a ambas válvulas de agua FRÍA y CALIENTE, respectivamente, ubicadas en la parte posterior de la máquina de lavar y ajústelas moderadamente.

**Fig. G**



- Conecte el extremo opuesto de la manguera de llenado a sus respectivas tuberías de suministro de agua CALIENTE y FRÍA. Fig. I **IMPORTANTE:** Cerciérese de que la tubería de agua CALIENTE esté conectada a la válvula (superior) de agua CALIENTE y que la tubería de agua FRÍA esté conectada a la válvula (inferior) de agua FRÍA. **Fig. K**



- Abra lentamente la tubería de suministro de agua y cerciérese de que no haya indicios de fugas en ningún lugar de conexión del suministro de agua.
- Si hay fugas, cierre inmediatamente el suministro de agua y efectúe las reparaciones necesarias o cambie cualquier conexión defectuosa.
- Si usted no puede hacer las reparaciones adecuadamente, llame a la LINEA DE ASISTENCIA AL CLIENTE, al teléfono: 1 800 26 DANBY para solicitar ayuda.

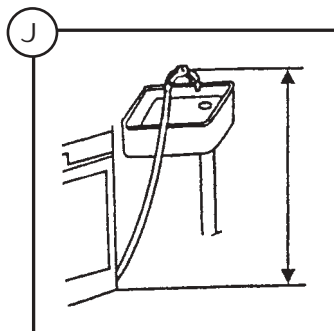
### **PASO 3:**

#### **Conecte la manguera de drenaje al recipiente de drenaje.**

**Instalación portátil:** Cuelgue el tubo de drenaje sobre el borde del tambor de lavado y/o el lavadero de la cocina. Cerciérese de que la manguera no pueda zafarse accidentalmente cuando se esté descargando el agua de drenaje.

**Instalación permanente:** Introduzca el extremo de la manguera directamente en el vástago de drenaje del tubo y/o cuélguelo del borde de la tina de lavado.

**NOTA:** El punto más alto de la manguera de drenaje debe estar ubicado entre 26" ~ 46" por encima del nivel del piso, pues de otro modo se puede afectar la eficacia del bombeo del agua. **Fig. J**



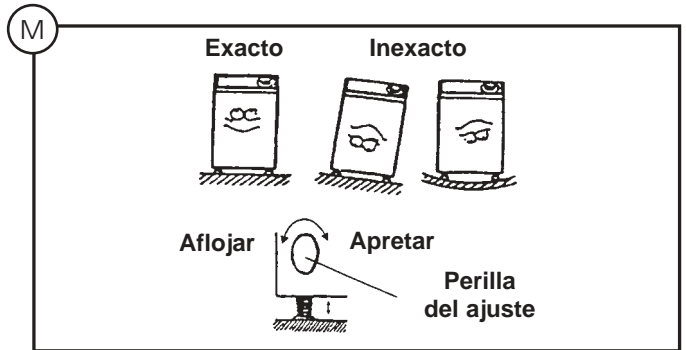
### **PASO 4:**

#### **Nivelación de la máquina de lavar.**

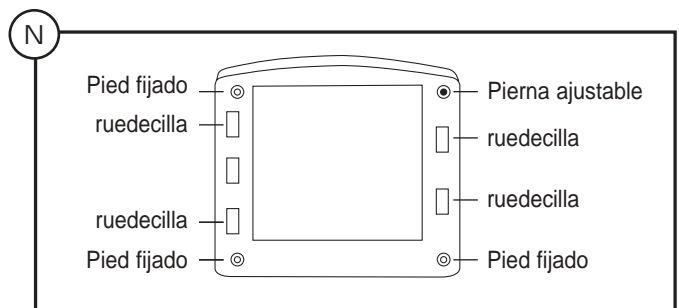
Para evitar vibraciones y movimientos innecesarios durante las operaciones de lavado y centrifugado, debe instalarse la lavadora sobre una superficie firme y nivelada. Esto se logra con la perilla de regulación de nivel, ubicada en la parte inferior derecha del cuerpo de la lavadora. Para modificar la altura de la pata de regulación, destornille la perilla de regulación de nivel, gradúe el nivel de la lavadora y vuelva a apretarla cuando esté estabilizada. **Fig. M**

El ángulo de inclinación de la lavadora no debe ser superior a dos grados (2°).

Ubique la lavadora a una distancia de por lo menos 5cm (2") de la pared.



**Instalaciones portátiles:** Para las instalaciones portátiles, la máquina de lavar viene equipada con cuatro (4) rueditas "norte/sur" que pueden instalarse fácilmente para ayudar a acercarla o alejarla del lavadero. Recueste la unidad sobre su parte posterior. Instale las rueditas en la parte inferior de su base, como se ilustra. **Fig. N**



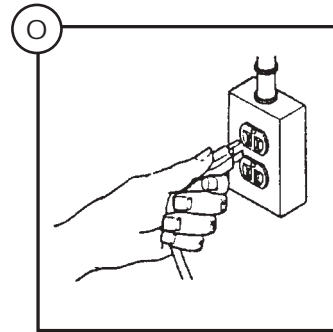
Vuelva a poner la lavadora en posición erguida. Una vez que la máquina esté ubicada para hacerla funcionar, ajuste la altura de la pata de regulación a una altura ligeramente mayor que la de la ruedita delantera, para evitar que la máquina se mueva durante el lavado y centrifugado.

**NOTA:** El movimiento no se podrá eliminar totalmente, esto es normal.

## **PASO 5:**

### **Enchufe la máquina de lavar.**

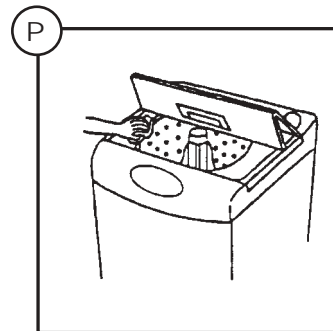
Antes de conectar la lavadora, consulte la sección de requisitos sobre la electricidad.



## **PASO 6:**

### **Antes de usar la lavadora, limpie el interior de la lavadora.**

Revise la guía de uso y mantenimiento. **Fig. P**

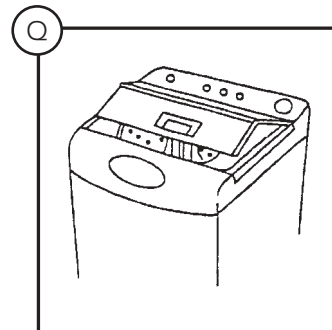


## **PASO 7:**

### **Revise el interruptor de seguridad.**

La lavadora debe dejar de girar cuando se abre la tapa.

**Fig. Q**



## LISTA DE CONTROL DE LA INSTALACIÓN

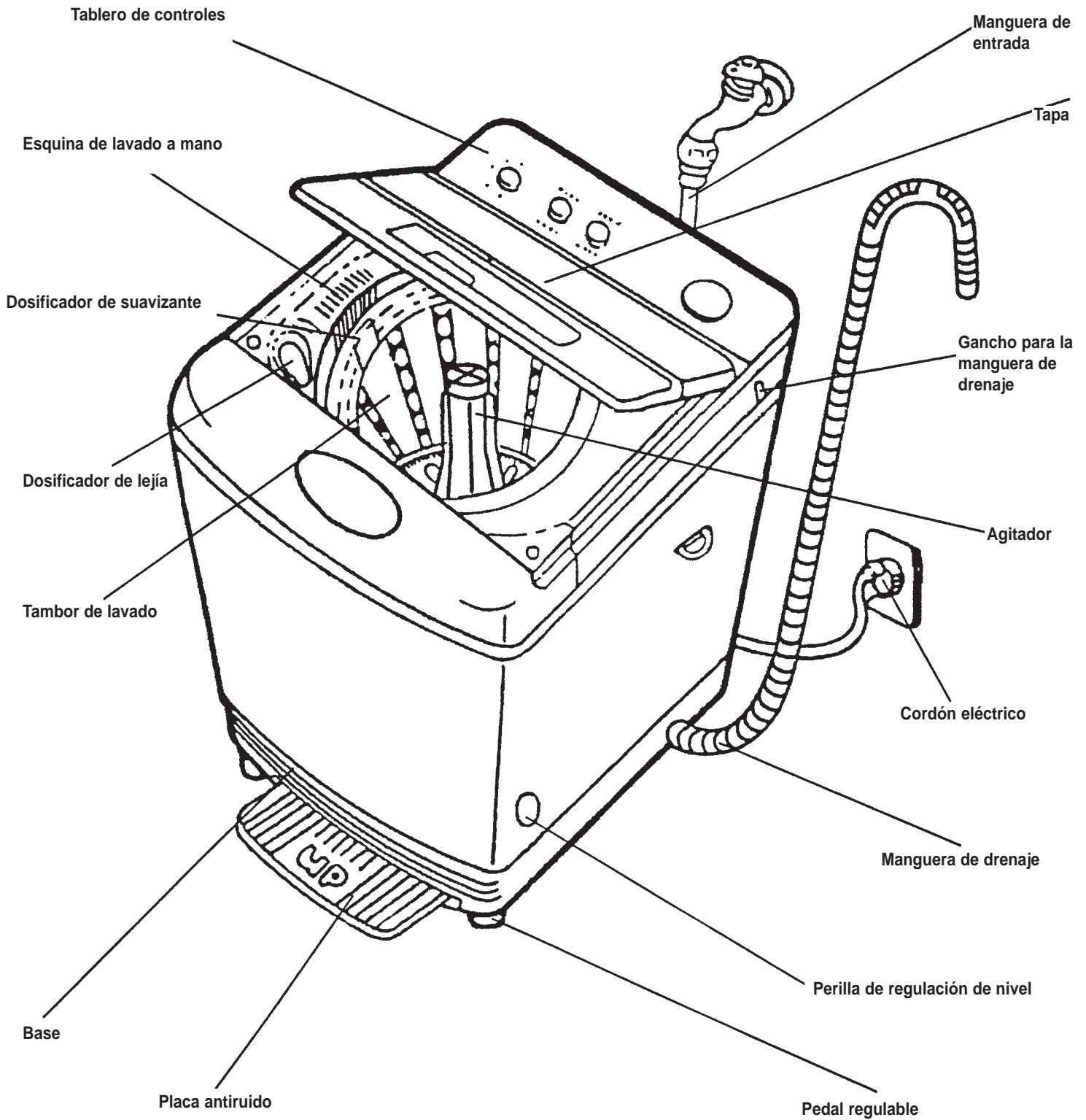
### PISTA RÁPIDA PARA INSTALAR LA LAVADORA

(consulta el manual del propietario para más información)

- Saque el refuerzo para el transporte
  
- Conecte las mangueras de entrada de agua
  
- Conecte la manguera al recipiente de drenaje
  
- Instálela sobre una superficie firme y nivelada
  
- Enchufe la lavadora
  
- Limpie el interior de la lavadora, revise la guía de uso y mantenimiento
  
- Revise el interruptor de seguridad

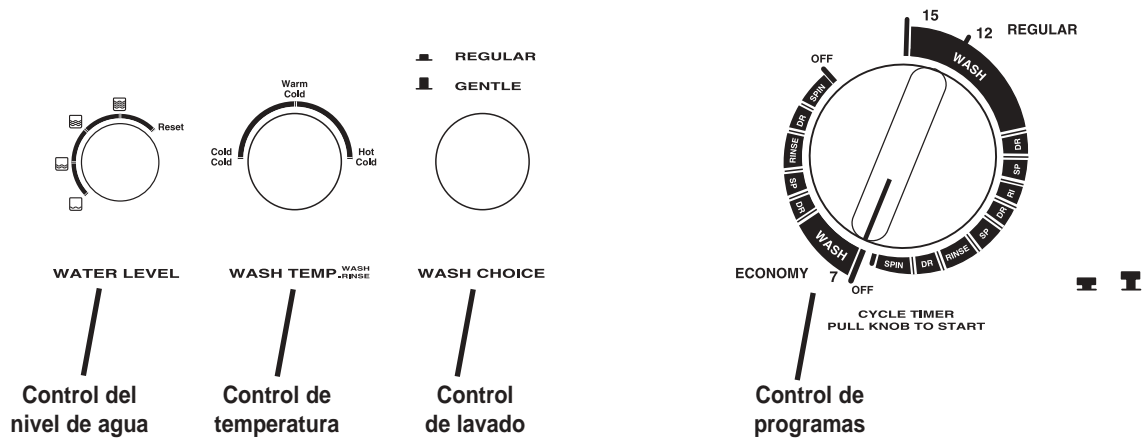


# IDENTIFICACIÓN DE PIEZAS



## TABLERO DE CONTROLES

**Danby**<sup>®</sup>  
*Designer*



## ANTES DE LAVAR

### PREPARE LA CARGA DE ROPA

Cargue las prendas según su peso; no más de 4 kg. Para lograr un mejor resultado en el lavado, mezcle prendas grandes y pequeñas en la carga de ropa.

Deje caer las prendas sueltas en el tambor de lavado. No las amontone ni las envuelva alrededor del agitador.

Para lograr un mejor resultado en el lavado, las prendas deben moverse libremente en el agua. Las prendas deben girar y hundirse y, luego, volver a aparecer.

Cuando lave piezas muy grandes, no llene tanto el tambor como en otras cargas.

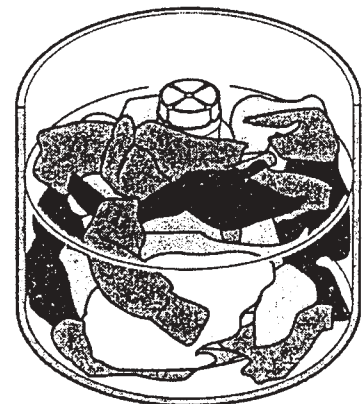
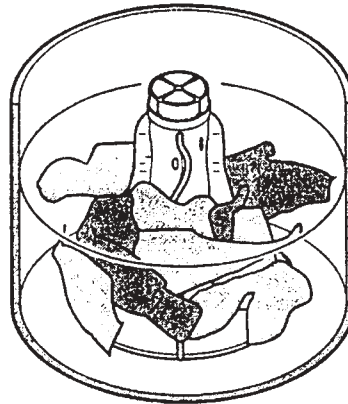
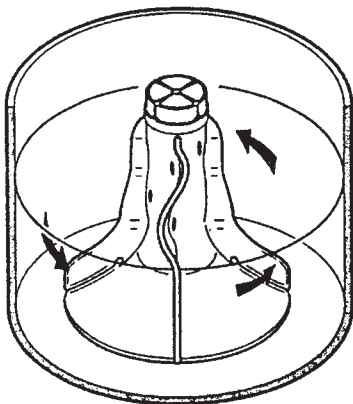
El nivel de agua de su lavadora debe corresponder al tamaño de la carga.

Las cargas pequeñas usan menores niveles de agua. Debe haber en el tambor suficiente agua como para permitir que las prendas se muevan y revuelvan libremente.

Si se sobrecarga el tambor de lavado la ropa puede quedar mal lavada y mal enjuagada.

La sobrecarga también puede hacer que la ropa se arrugue o se rasgue.

### Nivel del agua



**Bien**

**Malo**

## TEMPERATURA DE LAVADO

### **Agua caliente**

Los mejores resultados de limpieza y desinfección se obtienen con agua caliente. Pero no es lo adecuado para todas las prendas. Es la mejor para las prendas blancas y prendas de color que no se destiñen, así como para prendas muy sucias y pañales.

### **Agua tibia**

Cuando se utiliza agua tibia, hay menos posibilidades de que las prendas pierdan su color. Úsela en prendas ligeras o moderadamente sucias, prendas que destiñen o de colores oscuros, prendas inarrugables, de seda, lana, nylon y acrílicos.

### **Agua fría**

El agua fría es menos eficaz en el lavado que el agua caliente o tibia, pero minimiza el arrugado y la pérdida del color. Úsela para lavar ropa delicada y para enjuagar todo tipo de tejido.

### **Energía**

Si sigue las siguientes pautas, ahorrará energía al lavar:

1. La mayor parte del gasto en lavado de ropa corresponde al calentamiento del agua. Puede ahorrar dinero si enjuaga con agua fría.
2. Lave cargas completas de ropa, pero no sobrecargue la lavadora.
3. Para ropa ligeramente sucia, elija un menor tiempo de lavado.

## **CÓMO USAR LA LAVADORA**

### **A.) Determine cuál es el ciclo adecuado**

- Oprima la perilla y gírela hasta la función deseada.
- Tire de la perilla de programas para comenzar el lavado.

#### **ADVERTENCIA:**

La perilla de programas sólo se puede girar en el sentido de las agujas del reloj cuando está oprimida

### **B.) Para lavar ropa**

#### **IMPORTANTE:**

Antes de usar su nueva lavadora, cerciórese de que el cordón esté enchufado a un tomacorriente debidamente puesto a tierra, polarizado y con la tensión correcta (consulte la placa con el número de serie). Asegúrese de que las mangueras de la lavadora estén conectadas a los grifos de agua caliente y fría, y que los grifos estén abiertos. Cerciórese de que la manguera de drenaje no esté retorcida y que esté metida en una vía de drenaje. Para mayores detalles, sobre la correcta instalación de la lavadora, lea las INSTRUCCIONES DE INSTALACIÓN.

Antes de usar por primera vez la lavadora, limpie el interior del tambor de lavado con un paño enjabonado.

1. Cargue la ropa y agregue el detergente (consulta la sección "Instrucciones Generales de Lavar" para el uso correcto del detergente)
2. **Nivel del agua,** Seleccione el nivel del agua de acuerdo a la cantidad de ropa sucia. La función de llenado le permite añadir agua durante el funcionamiento de la lavadora (gire la perilla del nivel del agua hasta la posición de reposicionamiento, RESET, y manténgala en esa posición durante 2-3

segundos; luego gírela al nivel deseado).

3. **Selección del lavado,** Modo regular, oprima el botón de selección del lavado (WASH CHOICE). Modo delicado, suelte el botón.
4. **Cierre la tapa,** La lavadora no continúa girando cuando se abre la tapa.
5. **Gradúe las temperaturas de lavado/enjuague (WASH/RINSE)**

**Nota:** Si su lavadora ha sido instalada conectándola permanentemente a las tuberías de suministro de agua tanto FRÍA como CALIENTE, podrá realizar el enjuague con cualquier graduación de temperatura. Si su instalación es portátil, conectada a una sola tubería de suministro de agua, la temperatura de lavado y de enjuague será la misma. Consulte, además, la "nota especial" en la sección de la instalación portátil (una sola manguera).

### **C.) Temporizador**

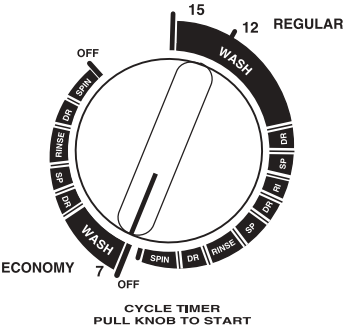
Aunque los ciclos de lavado son automáticos, el temporizador se puede reposicionar para alargar, acortar o repetir una porción del ciclo.

Para regular o reposicionar el temporizador, oprima su perilla para detener la lavadora. Mantenga firmemente oprimida la perilla a la vez que la gira en el sentido de las agujas del reloj hasta la graduación deseada. Tire de la perilla para iniciar el lavado.

# CÓMO USAR LA LAVADORA

## Ciclo

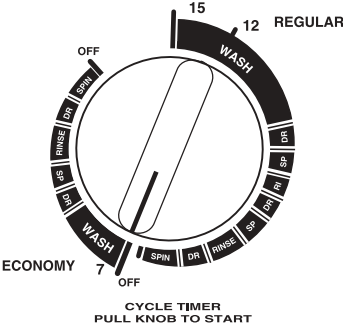
### CICLO ECONÓMICO



CYCLE TIMER  
PULL KNOB TO START

Llenado de agua	
Lavado	7 min.
Drenado	2.3 min.
Centrifugado	2.7 min.
Llenado de agua	
Enjuague	2 min.
Último enjuague	2 min.
Drenado	2.8 min.
Centrifugado	4.2 min.

### CICLO REGULAR



CYCLE TIMER  
PULL KNOB TO START

Llenado de agua	
Lavado	12-15 min.
Drenado	2.3 min.
Centrifugado	2.7 min.
Llenado de agua	
Enjuague	2 min.
Drenado	2.3 min.
Centrifugado	2.7 min.
Llenado de agua	
Enjuague	2 min.
Último enjuague	2 min.
Drenado	2.8 min.
Centrifugado	4.2 min.

## CANTIDAD RECOMENDADA DE DETERGENTE

Nivel del agua	Cantidad de detergente	
	Ligeramente sucia	Muy sucia
Bajo1	10 - 16g	20 - 32g
Bajo 2	12 - 19g	24 - 38g
Mediano	14 - 22g	27 - 43g
Alto	18 - 24g	35 - 47g

## INFORMACIÓN GENERAL SOBRE EL LAVADO

### Lejía

No vierta la lejía directamente sobre la ropa.  
Viértala en el dosificador de lejía.  
Después de usar lejía, lave el tambor de lavado con agua limpia

### Esquina de lavado a mano

Use esta esquina de lavado a mano para lavar las manchas difíciles.

### Preparativos previos al lavado

Saque la ropa que no puede ser lavada a máquina.  
Separe las prendas manchadas con grasa de las que no lo están, separe las prendas de colores oscuros de las de colores claros

Vacíe los bolsillos y saque todas las cosas prendidas en la ropa sucia, especialmente objetos metálicos pequeños.

### Capacidad máxima

La capacidad máxima de lavado y de centrifugado es de 4 kg. Si el agitador no puede girar, disminuya la cantidad de prendas sucias que se hallan dentro de la lavadora.

### Programa de sólo centrifugado

Cierre la tapa.  
Gire la perilla de programas hasta el punto de inicio de la última función de centrifugado y tire de la perilla para comenzar.

## INFORMACIÓN SOBRE LAVADO DE PRENDAS DELICADAS

### Prendas tejidas

Se usa una amplia variedad de tejidos para distintos tipos de ropa y muebles domésticos. Muchas prendas tejidas se pueden lavar a máquina, algunas deben lavarse a mano y otras deben lavarse en seco. Cuando las compre, asegúrese de que las prendas tengan la etiqueta con las instrucciones para su cuidado. La ropa puede contraerse o relajarse una vez expuesto al agua si no sigue las direcciones.

### Tejidos de rayón

El rayón se estira y encoge con facilidad. Trate y lave las prendas de rayón como delicadas.

### Tejidos de algodón

A menos que la etiqueta indique que es preencogido, el tejido de algodón probablemente se encoja un poco. El resecarlo contribuye a encoger las prendas de algodón. El agua con que se las lava debe estar caliente o tibia, con una temperatura adecuada para el color y la suciedad de las prendas. El agua con la que se las enjuaga debe estar fría.

### Tejido sintéticos

Los tejidos de fibra sintética o de mezcla de fibras con alto porcentaje de fibra sintética mantienen, por lo general, su forma. Al comprarlas, asegúrese que los accesorios (incluyendo los cinturones) se puedan lavar a máquina, que las costuras no estén deshilachadas y los cierres relámpago (o cremalleras) y las guarniciones estén bien prendidas.

### Jersey o suéter de lana

Los jersey o suéter tejidos con punto suelto o finamente deben ser lavados a mano con delicadeza. Enjuáguelos bien. Acomódelos para que no pierdan su forma y déjelos secar sobre una superficie plana.

Para los o suéter cuya etiqueta indica que pueden ser lavados a máquina, siga las instrucciones del fabricante. Déjelos secar sobre una superficie plana. La principal causa de que las prendas de lana se encojan es que se agitan o secan excesivamente.

### Tejidos de lana

Los tejidos de lana deben lavarse en seco a menos que la etiqueta indique que se pueden lavar a máquina. Siga las instrucciones del fabricante.

## INSTRUCCIONES DE MANTENIMIENTO POR EL USUARIO

### Clima frío

Si la lavadora se entrega en un día frío (por debajo de la temperatura de congelamiento), o si se almacena en una habitación o área sin calefacción durante los meses fríos, no intente hacerla funcionar hasta que se haya calentado.

### Cuidado de su lavadora

- Antes de usar por primera vez la lavadora, limpie el interior del tambor de lavado con un paño enjabonado. Sólo use un paño húmedo o enjabonado para limpiar el tablero de controles. Algunos productos de aerosol para prelavado pueden dañar el acabado del tablero de controles.
- Lave el cuerpo de la lavadora cuando sea necesario. Si se derrama detergente, lejía u otro producto de limpieza sobre la lavadora, límpiela inmediatamente.
- Algunos productos pueden causar daño permanente si se derraman sobre la lavadora.
- No use almohadillas para refregar ni productos de limpieza abrasivos.
- No ponga ni recueste sobre la lavadora objetos afilados o ásperos que puedan dañar el acabado de la lavadora.

- No deje que la lavadora quede expuesta a la luz directa del sol o a la lluvia.
- Mantenga la lavadora alejada del fuego o fuentes de calor. Salvo enjuagarlo después de lavar una carga de ropa muy sucia, el tambor de lavado no necesita ningún cuidado especial. Esto puede ser también necesario en caso de que se haya usado muy poco detergente.
- Luego de usar la lavadora, deje abierta su tapa para permitir que se seque el interior. Esto ayuda a evitar los olores a moho.
- No tire del cordón eléctrico para desconectarlo, agarre firmemente el enchufe y tire de él.

### Protector del motor contra las sobrecargas

El protector del motor contra las sobrecargas interno detiene automáticamente el motor en caso de una sobrecarga. El protector contra las sobrecargas se autoreposiciona en dos o tres minutos y el motor se reposiciona automáticamente. Si el protector contra las sobrecargas detiene nuevamente el motor, deje de usar la lavadora y llame a un técnico de mantenimiento para corregir el problema.

## BÚSQUEDA DE ANOMALÍAS

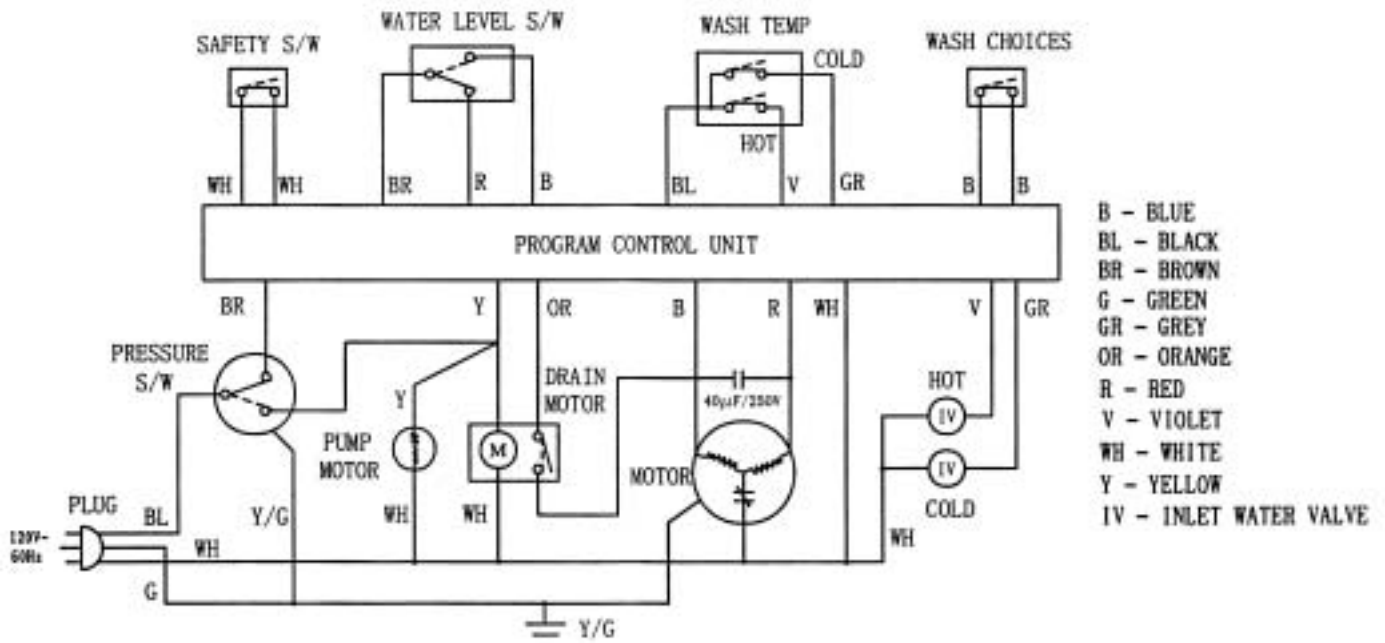
<u>Problema</u>	<u>Localización a ser verificada</u>
La lavadora no se drena	<ul style="list-style-type: none"> <li>• ¿Está retorcida la manguera o está colgada de un punto demasiado elevado?</li> <li>• ¿Está congelada o atascada la manguera de drenaje?</li> </ul>
Falla el centrifugado	<ul style="list-style-type: none"> <li>• ¿Está distribuida la ropa uniformemente dentro del tambor de lavado?</li> <li>• ¿Está cerrada la tapa?</li> <li>• ¿Se encuentra la lavadora sobre una superficie nivelada?</li> </ul>
La lavadora no se llena de agua	<ul style="list-style-type: none"> <li>• ¿Está abierto el grifo de agua?</li> <li>• ¿La presión de agua es demasiado baja?</li> <li>• ¿Está obturado el filtro de la válvula de entrada?</li> <li>• ¿Hay agua?</li> </ul>
Falla el centrifugado	<ul style="list-style-type: none"> <li>• ¿Está bien conectado el cordón eléctrico?</li> <li>• ¿Se ha quemado algún fusible o ha saltado el disyuntor contra sobrecargas de la tensión eléctrica?</li> <li>• ¿Alcanzó el agua el nivel del programa?</li> </ul>

### Aviso

- Para evitar daños al sistema de entrada, no haga funcionar la lavadora cuando la presión de agua es menor que 0.02 Mpa o mayor que 0.8 MPa

- No use el tambor de lavado como recipiente de agua y siempre drene el agua completamente.
- Cierre el grifo de agua después de usarlo
- Desconecte el cable eléctrico

## DIAGRAMA DEL CABLEADO



# Danby® GARANTIA LIMITADA DEL PRODUCTO

Se garantiza que este producto de calidad se encuentra libre de defectos de fabricación en material y mano de obra, siempre que la unidad se use bajo las condiciones de funcionamiento normales propuestas por el fabricante.

Esta garantía se encuentra disponible solamente para la persona a quien Danby o un distribuidor autorizado de Danby vendió originalmente esta unidad, y no se puede transferir.

## TERMINOS DE LA GARANTIA

El primer año Durante el primer año (1), todas las partes eléctricas de este producto que se encuentran defectuosas, se repararán o cambiarán, a opción del garante, sin cargo alguno para el comprador ORIGINAL

Para obtener servicio Danby se reserva el derecho de establecer los límites de "servicio en el hogar" por la proximidad de un Centro de Servicio Autorizado. Cualquier traslado a un centro de servicio que resulte por estar fuera de los límites correrá por parte del cliente, será su responsabilidad y será pagado por él mismo. Comuníquese con su representante en donde compró la unidad, o con el departamento de servicio autorizado de Danby más cercano, en donde un técnico de servicio competente efectuará la reparación. Si cualquier otro departamento que no sea el autorizado lleva a cabo el servicio de reparaciones en las unidades o si la unidad se usa para una aplicación comercial, todas las obligaciones de Danby bajo esta garantía se verán terminadas.

## EXCLUSIONES

Con excepción de lo que se especifica en la presente, Danby Products Limited (Canada) o Danby Products Inc. (U.S.A.), no existe ninguna otra garantía, condición o representación, explícita o implícita, hecha o pretendida por Danby Products Limited o sus distribuidores autorizados, y toda otra garantía, condición o representación, incluyendo toda garantía, condición o representación bajo la Ley de Venta de Artículos, u otra legislación o estatuto similar, queda por la presente excluida. Con excepción de o que se especifica en la presente, Danby Products Limited (Canada) o Danby Products Inc. (U.S.A.) no será responsable de ningún perjuicio a personas o propiedad, incluyendo la unidad misma, de cualquier manera que se hubiese causado, ni de ningún perjuicio resultante del malfuncionamiento de la unidad y, con la compra de la unidad, el comprador por la presente acuerda indemnizar y exonerar a Danby Products Limited de todo reclamo por daños y perjuicios a personas o propiedad causados por la unidad.

## ESTIPULACIONES GENERALES

Ninguna garantía o seguro contenido en la presente o determinado por la presente corresponderá cuando el perjuicio o la reparación hayan sido causados por cualquiera de las siguientes causas:

- 1) Corte de corriente;
- 2) Daño en tránsito o cuando se estaba moviendo el aparato;
- 3) Corriente eléctrica inadecuada como baja tensión, conexiones defectuosas en la casa o fusibles inadecuados;
- 4) Accidente, alteración, abuso o mal uso del aparato como circulación inadecuada de aire en la habitación o condiciones de funcionamiento anormales (temperaturas de la habitación demasiado altas o bajas);
- 5) Uso para fines comerciales o industriales;
- 6) Incendio, daños causados por agua, robo, guerras, insurrecciones, hostilidades, actos de fuerza mayor como huracanes, inundaciones, etc.
- 7) Llamadas para recibir servicio que resulte en la educación del cliente;

Prueba de la fecha de compra será necesaria para los reclamos sobre garantía; de modo que tenga la bondad de guardar la boleta de venta. En caso que se requiera un servicio bajo garantía, presente este documento a nuestro DEPARTAMENTO DE SERVICIO AUTORIZADO.

### Servicio de Garantía

Dentro del CanadáEstados	Dentro del Unidos
En el hogar	En el hogar

Danby Products Limited  
PO Box 1778, 5070 Whitelaw Road,  
Guelph, Ontario, Canada N1H 6Z9  
Telephone: (519) 837-0920 FAX: (519) 837-0449

11/00

Danby Products Inc.  
PO Box 669, 101 Bentley Court,  
Findlay, Ohio, U.S.A. 45839-0669  
Telephone: (419) 425-8627 FAX: (419) 425-8629



**Model • Modèle**  
**DWM99W**

For service, contact your nearest service depot or call:

**1-800-26- Danby®**  
**(1-800-263-2629)**

to recommend a depot in your area.

Pour obtenir le service, consultez votre succursale régionale de service ou téléphonez:

**1-800-26- Danby®**  
**(1-800-263-2629)**

qui vous recommandera un centre régional.

Para servicio, comuníquese con su Departamento de Servicios más cercano o llame al:

**1-800-26- Danby®**  
**(1-800-263-2629)**

para que le recomienden un Departamento de Servicios en su zona.

### Top Load Washing Machine

The model number can be found on the serial plate located on the back panel of the unit.

All repair parts available for purchase or special order when you visit your nearest service depot. To request service and/or the location of the service depot nearest you, call the TOLL FREE NUMBER.

When requesting service or ordering parts, always provide the following information:

- Product Type
- Model Number
- Part Description

### Laveuse à chargement supérieur

Le numéro de modèle se trouve sur la plaque d'identification qui se trouve sur le coin du haut gauche de l'arrière.

Toutes les pièces de rechange sont disponibles immédiatement ou peuvent être commandées de votre Centre de Service régional. Pour obtenir le service et/ou le Centre de Service le plus proche, téléphonez le numéro sans-frais indiqué à gauche pour le Canada et les États-Unis.

Ayez les informations suivantes à la portée de la main lors de la commande de pièces ou service:

- Genre de produit
- Numéro de modèle
- Description de la pièce

### Lavadora a cargamiento superior

El numero de modelo se encuentra en la placa de serie, ubicada en el panel posterior de la unidad.

Todas las piezas de repuesto se pueden adquirir o encargar especialmente cuando visite su departamento de servicio más cercano. Para solicitar servicio y/o la dirección del departamento, llame al NUMERO DE LLAMADA GRATIS

Cuando solicite servicio o encargue repuestos, siempre proporcione la siguiente información:

- Tipo del Producto
- Número del modelo
- Descripción del repuesto