



- Owner's Use and Care Guide
- Guide d'utilisation et soin de propriétaire

**MICROWAVE OVEN
FOUR À MICRO-ONDES**

**Model • Modèle DMW1110WDB
DMW1110BLDB**



Contents / Table des matières

MICROWAVE OVEN

Owner's Use and Care Guide 1-17

- Welcome
- Important Safety Information
- Installation Guide
- Operation
- Care and Maintenance
- Troubleshooting
- Warranty

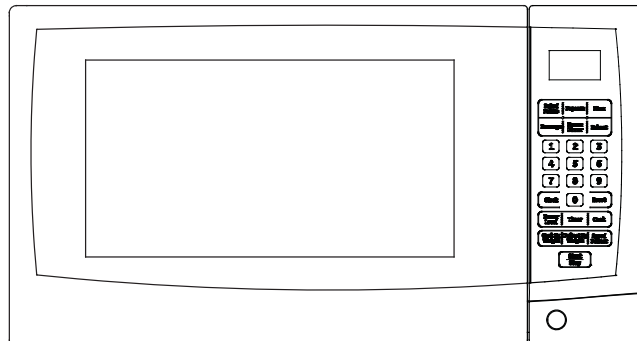
FOUR À MICRO-ONDES

Guide d'utilisation et soins de propriétaire 18-34

- Bienvenue
- Information de sécurité important
- Guide d'Installation
- Fonctionnement
- Soins et entretien
- Dépannage
- Garantie

⚠ CAUTION:
Read and follow all safety rules and operating instructions before first use of this product.

⚠ PRECAUTION :
Veuillez lire attentivement les consignes de sécurité et les instructions d'utilisation avant l'utilisation initiale de ce produit.



Model • Modèle DMW1110WDB / DMW1110BLDB

Thank you for choosing Danby

We know you're excited. We are too! However, the more familiar you are with your new appliance, the better experience you will have. We therefore strongly suggest that you **read this Owner's Manual before plugging in your new appliance**. It contains important operational information that will help you make full use of the technical features available in your Danby appliance. The manual also contains information designed to enhance operating reliability and safety, as well as tips to maintaining your new appliance so that it brings you happiness for years to come.

Please visit www.danby.com to access self-service tools, FAQs and more. Should you need additional assistance, please call 1-800-26-DANBY (1-800-263-2629).

**Note: You will need the below information to obtain service under warranty.
To receive service, you must provide the original receipt.**

Model Number:	_____
Serial Number:	_____
Date of Purchase:	_____

NEED HELP?

Before you call for service, here are a few things you can do to help us serve you better:

Read this Owner's Manual:

It contains instructions to help you use and maintain your appliance properly.

If you received a damaged appliance:

Immediately contact the retailer (or builder) that sold you the appliance.

Save time and money:

Check the Troubleshooting section at the end of the guide before calling. This section helps you solve common problems that may occur.

If you do need service, you can relax, knowing help is only a phone call away.



1-800-26-**Danby**
(1-800-263-2629)



Important Safety Information

READ AND FOLLOW ALL SAFETY INSTRUCTIONS

FEDERAL COMMUNICATIONS COMMISSION RADIO FREQUENCY INTERFERENCE STATEMENT (U.S.A. ONLY)

This equipment generates and uses ISM frequencies and if not installed and used properly, that is in strict accordance with the manufacturer's instructions, may cause interference to radio and television reception. It has been type-tested and found to comply with limits for ISM Equipment pursuant to Part 18 of FCC Rules, which are designed to provide reasonable protection against such interference in a residential installation.

However, there is no guarantee that interference will not occur in particular installations. If this equipment does cause interference to radio or television reception, which can be determined by turning the equipment off and on, the user is encouraged to try to correct the interference by one or more of the following:

- Reorient the receiving antenna of radio or television.
- Relocate the microwave oven with respect to the receiver.
- Move the microwave oven away from the receiver.
- Plug the microwave into a different outlet so that microwave and receiver are on different branch circuits.



The Manufacturer is not responsible for any radio or TV interference caused by **UNAUTHORIZED MODIFICATION** to this microwave oven. It is the responsibility of the user to correct such interference.

PRECAUTIONS TO AVOID POSSIBLE EXPOSURE TO EXCESSIVE MICROWAVE ENERGY

For your safety the information in this manual must be followed to minimize the risk of fire or explosion or to prevent property damage, personal injury or loss of life.

Do Not Attempt to operate this oven with the door open since open-door operation can result in harmful exposure to microwave energy. It is important not to defeat or tamper with the safety interlocks.

Do Not Place any object between the oven front face and the door or allow soil or cleaner residue to accumulate on sealing surfaces.

Do Not Operate the oven if it is damaged. It is particularly important that the oven door close properly and that there is no damage to the:

1. door (bent),
2. hinges and latches (broken or loosened),
3. door seals and sealing surfaces.

The Oven Should Not be adjusted or repaired by anyone except properly qualified service personnel.

SAVE THESE INSTRUCTIONS



Important Safety Information

READ AND FOLLOW ALL SAFETY INSTRUCTIONS

IMPORTANT WARNING

To reduce the risk of fire, electric shock or injury to persons or exposure of excessive microwave energy when using your appliance, please adhere to the following instructions:

1. Read all instructions before using the appliance.
2. Read and follow the specific "PRECAUTIONS TO AVOID POSSIBLE EXPOSURE TO EXCESSIVE MICROWAVE ENERGY" on page 2.
3. This appliance must be grounded. Connect only to properly grounded outlet. See "GROUNDING INSTRUCTIONS" on page 6.
4. Install or locate this appliance only in accordance with the provided installation instructions.
5. Some products such as whole eggs and sealed containers -for example, closed glass jars- are able to explode and should not be heated in this oven.
6. Use this appliance only for its intended use as described in this manual. Do not use corrosive chemicals or vapors in this appliance. This type of oven is specifically designed to heat, cook, or dry food. It is not designed for industrial or laboratory use.
7. As with any appliance, close supervision is necessary when used by children.
8. To reduce the risk of fire in the oven cavity:
 - a. Do not overcook food. Carefully attend appliance when paper, plastic, or other combustible materials are placed inside the oven to facilitate cooking.
 - b. Remove wire twist-ties from paper or plastic bags before placing bag in oven.
 - c. If materials inside the oven should ignite, keep oven door closed, turn oven off, and disconnect the power cord or shut off power at the fuse or circuit breaker panel.
 - d. Do not use the cavity for storage purposes. Do not leave paper products, cooking utensils or food in the cavity when not in use.
9. Liquids, such as water, coffee, or tea are able to be overheated beyond the boiling point without appearing to be boiling due to surface tension of the liquid. Visible bubbling or boiling when the container is removed from the microwave oven is not always present. **THEIS COULD RESULT IN VERY HOT LIQUIDS SUDDENLY BOILING OVER WHEN A SPOON OR OTHER UTENSIL IS INSERTED INTO THE LIQUID.** To reduce the risk of injury to person:
 - a. Do not overheat the liquid.
 - b. Stir the liquid both before and halfway through heating it.
 - c. Do not use straight-sided containers with narrow necks.
 - d. After heating, allow the container to stand in the microwave oven for short time before removing the container.
 - e. Use extreme care when inserting a spoon or other utensil into the container.
10. Do not heat oil or fat for deep-frying. It is difficult to control the temperature of oil in microwave oven.
11. Pierce foods with heavy skins such as potatoes, whole squash, apples and chestnuts before cooking.
12. The contents of feeding bottles and baby jars should be stirred or shaken and the temperature should be checked before serving in order to avoid burns.
13. Cooking utensils may become hot because of heat transferred from the heated food. Potholders may be needed to handle the utensil.
14. Do not cover or block any openings on the appliance.
15. Do not store or use this appliance outdoors. Do not use this product near water, for example, near a kitchen sink, in a wet basement, near a swimming pool, or similar locations.
16. Do not operate this appliance if it has a damaged cord or a plug, if it is not working properly or if it has been damaged or dropped.
17. Do not immerse cord or plug in water. Keep cord away from heated surface. Do not let cord hang over edge of table or counter.
18. Use only thermometers, which are specifically designed for use in microwave ovens.
19. Do not operate any heating or cooking appliance beneath this appliance.
20. Be certain the glass tray and roller rings are in place when you operate the oven.
21. This appliance should be serviced only by qualified service personnel; contact nearest authorized service facility for examination, repair, or adjustment.
22. When cleaning surfaces of door and oven that come together upon closing the door, use only mild, nonabrasive soaps, or detergents applied with a sponge or soft cloth.

SAVE THESE INSTRUCTIONS



Important Safety Information

SPECIAL NOTES ABOUT MICROWAVING

ARCING

If you see arcing, press the “START/STOP” button and correct the problem. Arcing is the microwave term for sparks in the oven.

Arcing is caused by:

- Metal or foil touching the side of the oven.
- Foil not molded to food (upturned edges act like antennae).
- Metal, such as twist-ties, poultry pins, or gold-rimmed dishes, in the microwave.
- Recycled paper towels containing small metal pieces being used in the microwave.

FOODS

- Only cook popcorn in your microwave oven using a special microwave popcorn accessory dish, unless you use popcorn labeled for use in microwave ovens.
- Some products- such as whole eggs (with shell), sealed containers, and closed jars - will explode and should not be heated in this microwave oven. Heating these products in the microwave oven could result in injury.
- Do not boil eggs in a microwave oven. Pressure will build up inside egg yolk and will cause it to burst, possibly resulting in injury.
- Operating the microwave with no food inside may cause damage to the oven and could start a fire. It increases the heat around the magnetron and can shorten the life of the oven.
- Foods with unbroken outer “skin” such as potatoes, hot dogs, sausages, tomatoes, apples, chicken livers and other giblets, and egg yolks should be pierced to allow steam to escape before cooking.

SAFETY FACT: SUPERHEATED WATER

Microwaved water and other liquids do not always bubble when they reach the boiling point; they can actually get superheated and not bubble at all. Superheated liquid can bubble up when it is moved or when something like a spoon or tea bag is put into it. To prevent this from happening and causing injury, do not heat any liquid for more than 2 minutes per cup. After heating, let the cup stand in the microwave for 30 seconds before moving it or putting anything into it.

- Avoid heating baby food in glass jars, even with the lid off. Make sure all infant food is thoroughly cooked. Stir food to distribute the heat evenly. Be careful to prevent scalding when warming formula. The container may feel cooler than the milk really is. **Always test the milk before feeding the baby.**

- Spontaneous boiling- Under certain circumstances, liquids may start to boil during or shortly after removal from the microwave oven. To prevent burns from splashing liquid, we recommend the following:

Before removing the container from the oven, allow the container to stand in the the oven for 30 to 40 seconds. Containers such as soft drink bottles, wine flasks and especially narrow-necked coffee cups. Even if the container is opened, excessive steam can build up and cause it to burst or overflow.

- Don't defrost frozen beverages in narrow-necked bottles (especially carbonated beverages). Even if the container is opened, pressure can build up. This can cause the container to burst, possibly resulting in injury.

- Hot foods and steam can cause burns. Be careful when opening any containers of hot food, including popcorn bags, cooking pouches and boxes. To prevent possible injury, direct steam away from hands and face.



Important Safety Information

SPECIAL NOTES ABOUT MICROWAVING

SAFETY FACT: SUPERHEATED WATER (con't)

- Do not overcook potatoes. They could dehydrate and catch fire, causing damage to your oven.
- Cook meat and poultry thoroughly- meat to at least an INTERNAL temperature of 160°F (71.1°C), and poultry to at least an INTERNAL temperature of 180°F (82.2°C). Cooking to these temperatures usually protects against food borne illness.

MICROWAVE-SAFE COOKWARE

Make sure all cookware used in your microwave oven is suitable for microwaving. Most glass casserole, cooking dishes, measuring cups, custard cups, pottery or china dinnerware which do not have metallic trim or glaze with a metallic sheen can be used. Some cookware will be labeled "suitable for microwaving".

- If you use a meat thermometer while cooking, make sure it is safe for use in microwave ovens.
- Do not use recycled paper products. Recycled paper towels, napkins, and waxed paper can contain metal flecks which may cause arcing or ignite. Paper products containing nylon or nylon filament should be avoided, as they may also ignite.
- Not all plastic wrap is suitable for use in microwave ovens. Check the package for proper use.
- Some styrofoam trays (like those that meat is packaged on) have a thin strip of metal embedded in the bottom. When microwaved, the metal can burn the floor of the oven, or ignite a paper towel.
- Cookware may become hot because of heat transferred from the heated food. Pot holders may be needed to handle the cookware.
- "Boilable" cooking pouches and tightly closed plastic bags should be slit, pierced, or vented as directed by package. If they are not, plastic could burst during or immediately after cooking, possibly resulting in injury. Also, plastic storage containers should be at least partially uncovered because they form a tight seal. When cooking with containers tightly covered with plastic wrap, remove covering carefully and direct steam away from hands and face.
- Paper towels, waxed paper, and plastic wrap can be used to cover dishes in order to retain moisture and prevent splattering. Be sure to vent plastic wrap so steam can escape.

How to test for a microwave-safe dish:

- 1) Place in the oven both the dish you are testing and a glass measuring cup filled with 1 cup of water.
- 2) Set the measuring cup either in or next to the dish.
- 3) Microwave 1 minute on high power.

If the dish heats, it should not be used for microwaving. If the dish remains cool and only the water in the cup heats, then the dish is microwave-safe.

- Use foil only as directed in this manual. TV dinners may be microwaved in foil trays less than 3/4" high; remove the top foil cover and return the tray to the box. When using foil in the microwave, keep the foil at least 1 inch away from the sides of the oven.



Important Safety Information

SPECIAL NOTES ABOUT MICROWAVING

MICROWAVE-SAFE COOKWARE (con't)

• Plastic cookware designed for microwave cooking is very useful, but should be used carefully. Even microwave-safe plastic may not be as tolerant of overcooking conditions as are glass and ceramic materials, and may soften or char if subjected to short periods of over-cooking. In longer exposure to over-cooking, the food and cookware could ignite.

Follow these guidelines:

- 1) Use Microwave-safe plastics only and use them in strict compliance with the cookware manufacturer's recommendations.
- 2) Do not microwave empty containers.
- 3) Do not permit children to use plastic cookware without complete supervision.

GROUNDING INSTRUCTIONS

WARNING

Improper use of the grounding plug can result in a risk of electric shock.

This appliance must be grounded. In the event of an electrical short circuit, grounding reduces the risk of electric shock by providing an escape wire for the electric current. This appliance is equipped with a power cord having a grounding wire with a grounding plug. The plug must be plugged into an outlet that is properly installed and grounded.

Consult a qualified electrician or service technician if the grounding instructions are not completely understood, or if doubt exists as to whether the appliance is properly grounded. If the outlet is a standard 2-prong wall outlet, it is your personal responsibility and obligation to have it replaced with a properly grounded 3-prong wall outlet.

DO NOT under any circumstances cut or remove the third (ground) prong from the power cord.

DO NOT use an adapter plug with this appliance.

DO NOT use an extension cord with this appliance.

If the power cord is too short, have a qualified electrician or service technician install an outlet near the appliance.

- A. A short power supply cord is provided to reduce the risks resulting from becoming entangled in or tripping over a longer cord.
- B. Longer cord sets or extension cords are available and may be used if care is exercised in their use
- C. If long cord or extension cord is used:
 - (1) The marked electrical rating of the cord set or extension cord should be at least as great as the electrical rating of the appliance.
 - (2) The extension cord must be a grounding-type 3-wire cord, and
 - (3) The longer cord should be arranged so that it will not drape over the counter top or table top where it can be pulled on by children or tripped over unintentionally.

For best operation, plug this appliance into its own electrical outlet to prevent flickering of lights, blowing of fuse, or tripping of circuit breaker.



Installation Guide

1. Make sure that all the packing materials are removed from the inside of the door.
2. Check the oven for any damage, such as a misaligned or bent door, damaged door seals and sealing surface, broken or loose door hinges and latches and dents inside the cavity or on the door. If there is any damage, do not operate the oven but contact qualified service personnel
3. This microwave oven must be placed on a flat, stable surface to hold its weight and the heaviest food likely to be cooked in the oven.
4. Do not place the oven where heat, moisture, or high humidity are generated, or near combustible materials.
5. For correct operation, the oven must have sufficient airflow. Allow 20cm of space above the oven, 10cm at back and 5cm at both sides. Do not cover or block any openings on the appliance. Do not remove feet on which oven stands.
6. Do not operate the oven without glass tray, roller support, and shaft in their proper positions.
7. Make sure that the power supply cord is undamaged and does not run under the oven or over any hot or sharp surface.
8. The socket must be readily accessible so that it can be easily unplugged in an emergency.

UTENSILS GUIDE

This section lists which utensils can be used in the microwave, which ones have limited use for short periods, and which ones should not be used in the microwave.

RECOMMENDED

Microwave browning dish — Use to brown the exterior of small items such as steaks, chops, or pancakes. Follow the directions provided with your browning dish.

Microwaveable plastic wrap — Use to retain steam. Leave a small opening for some steam to escape and avoid placing it directly on the food.

Paper towels and napkins — Use for short-term heating and covering; these absorb excess moisture and prevent spattering. Do not use recycled paper towels, which may contain metal and could ignite.

Glass and glass-ceramic bowls and dishes — Use for heating or cooking.

Paper plates and cups — Use for short-term heating at low temperatures. Do not use recycled paper, which may contain metal and could ignite.

Wax paper — Use as a cover to prevent spattering.

Thermometers — Use only those labeled “Microwave Safe” and follow all directions. Check the food in several places. Conventional thermometers may be used on microwave food once the food has been removed from the oven.

LIMITED USE

Aluminum foil — Use narrow strips of foil to prevent overcooking of exposed areas. Using too much foil can damage your oven, so be careful. You should keep distance of 1 inch (2.54cm) between aluminum foil and cavity.

Ceramic, porcelain, and stoneware— Use these if they are labeled “Microwave Safe”. If they are not labeled, test them to make sure they can be used safely.

Plastic — Use only if labeled “Microwave Safe”. Other plastics can melt.

NOT RECOMMENDED

Glass jars and bottles — Regular glass is too thin to be used in a microwave. It can shatter and cause damage and injury.

Paper bags — These are a fire hazard, except for popcorn bags that are designed for microwave use.

Styrofoam plates and cups — These can melt and leave an unhealthy residue on food.

Plastic storage and food containers — Containers such as margarine tubs can melt in the microwave.

Metal utensils — These can damage your oven. Remove all metal before cooking.

Note:

Should you wish to check if a dish is safe for microwaving, place the empty dish in the oven and microwave on HIGH for 30 seconds. A dish which becomes very hot should not be used.



Operating Instructions

COOKING TECHNIQUES

Your microwave makes cooking easier than conventional cooking, provided you keep these considerations in mind:

STIRRING - Stir foods such as casseroles and vegetables while cooking to distribute heat evenly. Food at the outside of the dish absorbs more energy and heats more quickly, so stir from the outside to the centre. The oven will turn off when you open the door to stir your food.

ARRANGEMENT - Arrange unevenly shaped foods, such as chicken pieces or chops, with the thicker, meatier parts toward the outside of the turntable where they receive more microwave energy. To prevent overcooking, place delicate areas, such as asparagus tips, toward the centre of the turntable.

SHIELDING - Shield food with narrow strips of aluminum foil to prevent overcooking. Areas that need shielding include poultry wing tips, the ends of poultry legs, and corners of square baking dishes. Use only small amounts of aluminum foil. Larger amounts can damage your oven.

TURNING - Turn foods over midway through cooking to expose all parts to microwave energy. This is especially important with large foods such as roasts.

STANDING - Foods cooked in the microwave build up internal heat and continue to cook for a few minutes after heating stops. Let foods stand to complete cooking, especially foods such as cakes and whole vegetables. Roasts need this time to complete cooking in the centre without overcooking the outer areas. All liquids, such as soup or hot chocolate, should be shaken or stirred when cooking is complete. Let liquids stand a moment before serving. When heating baby food, stir well at removal and test the temperature before serving.

ADDING MOISTURE - Microwave energy is attracted to water molecules. Food that is uneven in moisture content should be covered or allowed to stand so that the heat disperses evenly. Add a small amount of water to dry food to help it cook.

BEFORE YOU CALL FOR SERVICE

If the oven fails to operate:

1. Check to ensure that the oven is plugged in securely. If it is not, remove the plug from the outlet, wait 10 seconds, and plug it in again securely.
2. Check for a blown circuit fuse or a tripped main circuit breaker. If these seem to be operating properly, test the outlet with another appliance.
3. Check to ensure that the control panel is programmed correctly and the timer is set.
4. Check to ensure that the door is securely closed engaging the door safety lock system. Otherwise, the microwave energy will not flow into the oven.

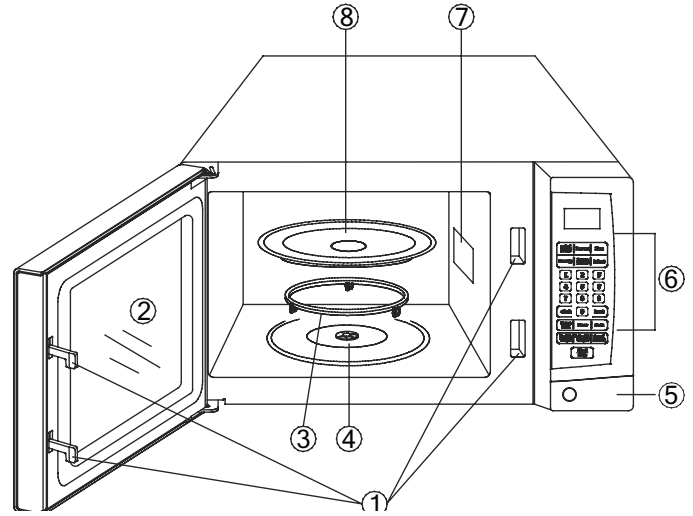
IF NONE OF THE ABOVE RECTIFY THE SITUATION, THEN CONTACT A QUALIFIED TECHNICIAN. DO NOT TRY TO ADJUST OR REPAIR THE OVEN YOURSELF.



Operating Instructions

PART NAMES

1. Door safety lock system
2. Oven window
3. Roller ring
4. Shaft
5. Door release button
6. Control panel
7. Wave guide (Please do not remove the mica plate covering the wave guide)
8. Glass tray



SPECIFICATIONS

Power consumption: 120V~60Hz, 1450W

Output: 1000W

Operation frequency: 2450MHz

Outside dimensions(H×W×D): 11.8 × 21.3 × 16.1 in.

Oven cavity dimensions(H×W×D): 9.4 × 13.9 × 14.1 in.

Oven capacity: 1.06cu.ft

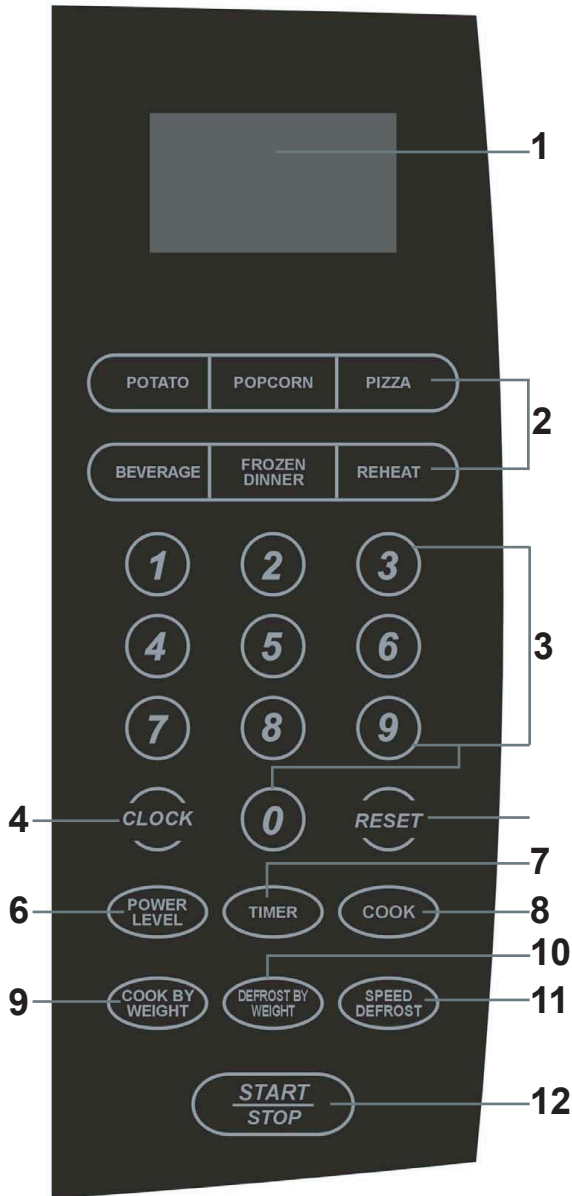
Cooking uniformity: Turntable System

Net weight: Approx. 35.3lb.



Operating Instructions

CONTROL PANEL



1. MENU ACTION SCREEN

Cooking time, power, indicators and present time are displayed.

2. QUICK COOK BUTTONS

Instant settings to cook popular foods.

3. NUMBER PADS(0-9)

Touch to set time or amount.

4. CLOCK

Use to set current time.

5. RESET

Use to clear all previous settings.

6. POWER LEVEL

Use to set power levels other than high.

7. TIMER

Timer functions independently, even while a cooking program is in process.

8. COOK

Use for multi-stage cooking. It enables cooking at multiple power and time settings automatically.

9. COOK BY WEIGHT

Programmed cooking based on weight of foods cooked.

10. DEFROST BY WEIGHT

Programmed defrosting based on the weight of the foods to be defrosted.

11. SPEED DEFROST

Quick defrost function that alternates defrost and stand times to quickly and effectively defrost foods.

12. START/STOP

Touch to start or stop cooking.



Operating Instructions

SIGNALS DURING OVEN SETTINGS

ONE SIGNAL: Oven accepts the entry.

TWO SIGNALS: Oven does not accept the entry. Check and try again.

SETTING THE CLOCK

1. Touch CLOCK pad.
2. Use the number pads to enter the correct time.
3. Touch CLOCK pad again.

NOTE:

- This is a 12 hour clock. When the oven is first plugged in or when power resumes after a power interruption, the display will show ENTER CLOCK TIME. If you prefer not to have the clock displayed, touch RESET.
- You can check the clock time during cooking by touching the CLOCK pad.

SETTING THE OVEN TIMER

1. Touch TIMER.
2. Enter the amount of time by touching the number pads (the maximum time is 99 minutes 99 seconds).
3. Touch START/STOP.

NOTE:

- Time countdown can be seen in display for 5 seconds before clock or cooking time is returned to display.
- Touch TIMER and then touch RESET to cancel TIMER during timing process.

SETTING A COOKING PROGRAM

A. One-stage Cooking

1. Use the number pads to set a cooking time. You can set a cooking time from one second to 99 minutes and 99 seconds.
2. If you want to set a power level other than 100% power, touch POWER LEVEL, then use the number pads to enter the power level. You can set the power level from 1 to 9.

Use single digits to set a cooking power level:

Cooking Power	100%	90%	80%	70%	60%	50%	40%	30%	20%	10%
Number Pad	1,0	9	8	7	6	5	4	3	2	1

3. Touch START/STOP to start cooking.



Operating Instructions

SETTING A COOKING PROGRAM

Two Stage Cooking:

Some recipes require different stages of cooking at different temperatures.

1. SET STAGE 1:

Follow steps 1 and 2 in “One-stage Cooking”. DO NOT TOUCH START/STOP

2. SET STAGE 2:

Touch COOK then enter proper cooking time and (lower) power level.

3. Touch START/STOP.

NOTE:

- During cooking, you can check the power by pressing POWER LEVEL pad.

SPEED DEFROST

1. Touch SPEED DEFROST.

2. Enter desired defrosting time by touching correct number pads (the maximum time is 99 minutes 99 seconds).

3. Touch START/STOP.

NOTE:

- After setting SPEED DEFROST, oven can be programmed to automatically switch to one or two-stage cooking.
- For speed defrost and one stage cooking, follow steps above. Before touching START, touch COOK, enter time and power level. Then touch START/STOP.
- For speed defrost and two stage cooking, follow steps above. Before touching START, touch COOK, enter two-stage cooking programs.

You may need to turn food over during cooking, then press START/STOP to resume.

COOK BY WEIGHT

1. Touch COOK BY WEIGHT.

2. Enter the one digit code by touching the correct number pad.

3. Enter weight.

4. Touch START/STOP.

Cook By Weight Code Description

CODE	TYPE	MAX WEIGHT
1	Beef	5 lb 16 oz
2	Mutton	5 lb 16 oz
3	Pork	5 lb 4 0z

Note:

- Frozen meat must be thawed in a refrigerator and not at room temperature
- Weight must be in pounds and ounces.



Operating Instructions

COOK BY WEIGHT

- Ounces weighing less than 10 must be preceded by a 0. If label gives weight in pounds only, change the fraction of a pound to ounces using the following chart:

Converting Fractions of a Pound to Ounces	
Fractions of a Pound	Ounces
Less than .03	0
.03 to .09	1
.10 to .15	2
.16 to .21	3
.22 to .27	4
.28 to .34	5
.35 to .40	6
.41 to .46	7
.47 to .53	8
.54 to .59	9
.60 to .65	10
.66 to .71	11
.72 to .78	12
.79 to .84	13
.85 to .90	14
.91 to .97	15
above .97	go to next even

- Turn meat over when oven signals twice. Touch START/STOP to resume cooking.
- Leave the meat a few minutes before carving.

DEFROST BY WEIGHT

1. Touch DEFROST BY WEIGHT pad.
2. Enter weight (the maximum weight you can enter is 5 lb.16oz.).
3. Touch START/STOP pad.

NOTE:

- Weight must be in pounds and ounces. Ounce weights less than 10 must be preceded by a 0. If label gives weight in pounds only, change the fraction of a pound to ounces using the chart given above.
- You may need to turn food over during cooking, then press START/STOP to resume.

SETTING CHILDLOCK

The safety lock prevents unsupervised operation by children.

To set, press and hold RESET for 3 seconds. LOCK is indicated on the display.

To cancel, press and hold RESET for 3 seconds. LOCK indication disappears.

AUTO REMINDER

After a cooking or a defrost program, beeps sound and END appears in display.

Touch any pad or open oven door to clear END before starting another cooking function.



Operating Instructions

QUICK COOK SETTINGS

The QUICK COOK settings allow you to cook or reheat food automatically without entering power level or time.

For smaller portions, simply touch the applicable pad and start. For larger portions, push the pad twice.

FROZEN DINNER, BAKED POTATO and BEVERAGE allow you to cook multiple amounts of the same food. Simply touch pad once, and ENTER AMT appears in the display. Enter the amount of servings and start.

POPCORN

1. Touch POPCORN.
2. CODE and cooking time appear in the display. POPCORN automatically sets the cooking time for a 3.5 oz. bag of microwave popcorn.
3. Touch START/STOP.

NOTE: To change the preset POPCORN time: Touch POPCORN twice. ENTER TIME appears in display. Touch number pads to enter minutes and seconds. Touch START/STOP. This new cooking time will be set as the default one till you reset it or next power reset.

POTATO

For 4 to 6 oz. potatoes:

1. Touch BAKED POTATO once.
2. Enter number of potatoes by touching number pads from 1 to 4.
3. Touch START/STOP.

For the large 8 to 10 oz. potatoes:

1. Touch POTATO twice.
2. Enter number of potatoes by touching number pads from 1 to 4.
3. Touch START/STOP.

PIZZA

Reheating a slice of pizza:

1. Touch PIZZA once. CODE and cooking time appears.
2. Touch START/STOP.

Heating a whole frozen pizza:

1. Touch PIZZA twice. CODE and cooking time appears.
2. Touch START/STOP.

BEVERAGES

For 5 to 7 oz. cups:

1. Touch BEVERAGE once.
2. Enter number of cups by touching number pads from 1 to 4.
3. Touch START/STOP.

For the larger 9 to 11 oz. cups:

1. Touch BEVERAGE twice.
2. Enter number of mugs by touching number pads from 1 to 4.
3. Touch START/STOP.



Operating Instructions

FROZEN DINNER

For one or two small (7-9 oz.) frozen dinners:

1. Touch FROZEN DINNER once.
2. For 1 entree, press 1 and press START/STOP; for 2 entrees, touch the number pad "2", and then touch START/STOP.

Heating one large (10-12 oz.) frozen dinner:

1. Touch FROZEN DINNER twice.
2. For 1 entree, press 1 and press START/STOP; for 2 entrees, touch the number pad "2," and then touch START/STOP pad.

REHEAT

1. Touch REHEAT pad. CODE and cooking time appears.
2. Touch START/STOP.



Care and Maintenance

1. Turn off the oven and remove the power plug from the wall socket before cleaning.
2. Keep the inside of the oven clean. When food splatters or spilled liquids adhere to oven walls, wipe with a damp cloth. Mild detergent may be used if the oven gets very dirty. Avoid the use of spray and other harsh cleaners as they may stain, streak or dull the door surface.
3. The outside surfaces should be cleaned with a damp cloth. To prevent damage to the operating parts inside the oven, water should not be allowed to seep into the ventilation openings.
4. Wipe the window on both sides with a damp cloth to remove any spills or splatters.
5. Do not allow the control panel to become wet. Clean with a soft, damp cloth. When cleaning the control panel, leave oven door open to prevent oven from accidentally turning on.
6. If steam accumulates inside or around the outside of the oven door, wipe with a soft cloth. This may occur when the microwave oven is operated under high humidity conditions. In such case, it is normal.
7. It is occasionally necessary to remove the glass tray for cleaning. Wash the tray in warm sudsy water or in a dishwasher.
8. The roller ring and oven floor should be cleaned regularly to avoid excessive noise. Simply wipe the bottom surface of the oven with mild detergent. The roller ring may be washed in mild sudsy water or dishwasher. When removing the roller ring from cavity floor for cleaning, be sure to replace in the proper position.
9. Remove odours from your oven by combining a cup of water with the juice and skin of one lemon in a deep microwaveable bowl, microwave for 5 minutes. Wipe thoroughly and dry with a soft cloth.
10. When it becomes necessary to replace the oven light, please consult a dealer to have it replaced.
11. The oven should be cleaned regularly and any food deposits removed. Failure to maintain the oven in a clean condition could lead to deterioration of the surface that could adversely affect the life of the appliance and possibly result in a hazardous situation.
12. Please do not dispose of this appliance in a domestic trash bin; it should be disposed of at the appropriate disposal centre provided by the municipalities.



Troubleshooting

Occasionally, a problem may arise that is minor in nature, and a service call may not be necessary. Use this troubleshooting guide for a possible solution. If the unit continues to operate improperly, call an authorized service depot or Danby's Toll Free Number **1-800-263-2629** for assistance.

PROBLEM	POSSIBLE CAUSE	SOLUTION
Oven will not start	<ul style="list-style-type: none">a. Electrical cord for oven is not plugged in.b. Door is open.c. Wrong operation is set.	<ul style="list-style-type: none">a. Plug into the outlet.b. Close the door and try again.c. Check instructions.
Arcing or sparking	<ul style="list-style-type: none">a. Materials to be avoided in microwave oven were used.b. The oven is operated when empty.c. Spilled food remains in the cavity.	<ul style="list-style-type: none">a. Use microwave-safe cookware only.b. Do not operate with oven empty.c. Clean cavity with wet towel.
Unevenly cooked foods	<ul style="list-style-type: none">a. Materials to be avoided in microwave oven were used.b. Food is not defrosted completely.c. Cooking time, power level is not suitable.d. Food is not turned or stirred.	<ul style="list-style-type: none">a. Use microwave-safe cookware only.b. Completely defrost food.c. Use correct cooking time, power level.d. Turn or stir food.
Overcooked foods	Cooking time, power level is not suitable.	Use correct cooking time, power level.
Undercooked foods	<ul style="list-style-type: none">a. Materials to be avoided in microwave oven were used.b. Food is not defrosted completely.c. Oven ventilation ports are restricted.d. Cooking time, power level is not suitable.	<ul style="list-style-type: none">a. Use microwave-safe cookware only.b. Completely defrost food.c. Check to see that oven ventilation ports are not restricted.d. Use correct cooking time, power level.
Improper defrosting	<ul style="list-style-type: none">a. Materials to be avoided in microwave oven were used.b. Cooking time, power level is not suitable.c. Food is not turned or stirred.	<ul style="list-style-type: none">a. Use microwave-safe cookware only.b. Use correct cooking time, power level.c. Turn or stir food.

LIMITED APPLIANCE WARRANTY

This quality product is warranted to be free from manufacturer's defects in material and workmanship, provided that the unit is used under the normal operating conditions intended by the manufacturer.

This warranty is available only to the person to whom the unit was originally sold by Danby Products Limited (Canada) or Danby Products Inc. (U.S.A.) (hereafter "Danby") or by an authorized distributor of Danby, and is non-transferable.

TERMS OF WARRANTY

Plastic parts, are warranted for thirty (30) days only from purchase date, with no extensions provided.

First Year During the first twelve (12) months, any functional parts of this product found to be defective, will be repaired or replaced, at warrantor's option, at no charge to the ORIGINAL purchaser.

To obtain service It will be the consumer's responsibility to transport the appliance (at their own expense) to the original retailer (point of purchase) or a service depot for repair. Contact your dealer from whom your unit was purchased, or contact your nearest authorized Danby service depot, where service must be performed by a qualified service technician. If service is performed on the unit by anyone other than an authorized service depot, or the unit is used for commercial application, all obligations of Danby under this warranty shall be void.

Nothing within this warranty shall imply that Danby will be responsible or liable for any spoilage or damage to food or other contents of this appliance, whether due to any defect of the appliance, or its use, whether proper or improper.

EXCLUSIONS

Save as herein provided, by Danby, there are no other warranties, conditions, representations or guarantees, express or implied, made or intended by Danby or its authorized distributors and all other warranties, conditions, representations or guarantees, including any warranties, conditions, representations or guarantees under any Sale of Goods Act or like legislation or statute is hereby expressly excluded. Save as herein provided, Danby shall not be responsible for any damages to persons or property, including the unit itself, howsoever caused or any consequential damages arising from the malfunction of the unit and by the purchase of the unit, the purchaser does hereby agree to indemnify and hold harmless Danby from any claim for damages to persons or property caused by the unit.

GENERAL PROVISIONS

No warranty or insurance herein contained or set out shall apply when damage or repair is caused by any of the following:

- 1) Power failure.
- 2) Damage in transit or when moving the appliance.
- 3) Improper power supply such as low voltage, defective house wiring or inadequate fuses.
- 4) Accident, alteration, abuse or misuse of the appliance such as inadequate air circulation in the room or abnormal operating conditions (extremely high or low room temperature).
- 5) Use for commercial or industrial purposes (ie. If the appliance is not installed in a domestic residence).
- 6) Fire, water damage, theft, war, riot, hostility, acts of God such as hurricanes, floods etc.
- 7) Service calls resulting in customer education.
- 8) Improper Installation (ie. Building-in of a free standing appliance or using an appliance outdoors that is not approved for outdoor application).

Proof of purchase date will be required for warranty claims; so, please retain bill of sale. In the event warranty service is required, present this document to our AUTHORIZED SERVICE DEPOT.

Warranty Service
Carry-In

Danby Products Limited
PO Box 1778, Guelph, Ontario, Canada N1H 6Z9
Telephone: (519) 837-0920 FAX: (519) 837-0449

1-800-263-2629
07/13

Danby Products Inc.
PO Box 669, Findlay, Ohio, U.S.A. 45840
Telephone: (419) 425-8627 FAX: (419) 425-8629

Merci d'avoir choisi Danby

Nous savons que vous êtes excité. Nous sommes aussi! Cependant, le plus que vous vous familiarisez avec votre nouvel appareil, le mieux va être votre expérience. Nous suggérons donc de **lire ces instructions avant connecter votre nouvel appareil**. Ce manuel contient des informations opérationnel important qui vous aidera à faire un usage pleine de les caractéristiques techniques disponibles dans votre appareil Danby. Le manuel contient également des informations conçu pour améliorer la fiabilité et la sécurité de votre appareil ainsi que des conseils pour le maintien, pour vous assurez des années de bonheur.

Se il vous plaît visitez www.danby.com pour accéder les outils libre-service, FAQ et plus encore. Si jamais vous avez besoin d'aide supplémentaire, s'il vous plaît appelez 1-800-26-Danby (1-800-263-2629). S'il vous plaît ayez votre facture d'achat, le numéro de modèle, et le numéro de série près durant l'appel.

Remarque : Ces renseignements seront nécessaires si votre appareil a besoin d'entretien ou pour les demandes de renseignements généraux. Pour bénéficier d'une opération de maintenance ou de dépannage, le reçu original sera exigé.

Numéro de modèle : _____

Numéro de serie : _____

Date d'achat : _____

BESOIN D'ASSISTANCE ?

Veuillez trouver quelques conseils avant de faire appel à nos services, cela nous aidera à mieux vous servir :

Lisez ce guide :

Il comprend des instructions pour l'utilisation et l'entretien adapté de votre appareil.

Si votre nouvel appareil est endommagé :

Contactez immédiatement le revendeur (ou le fabricant).

Gagnez du temps et de l'argent :

Avant de faire appel à nos services, consultez à nouveau la section « Dépannage ». Cette section vous aidera à résoudre des problèmes courants.

Si une réparation est nécessaire, ne vous inquiétez pas, la solution est au bout du fil.



1-800-26-**Danby**
(1-800-263-2629)



Information De Securite Importantes

LISEZ TOUTES LES CONSIGNES DE SÉCURITÉ AVANT L'UTILISATION

DÉCLARATION QUANT AUX INTERFÉRENCES DE FRÉQUENCE RADIO DE LA COMMISSION FÉDÉRALE DES COMMUNICATIONS (É.-U. SEULEMENT)

Cet équipement génère et utilise des fréquences sur bande ISM. S'il n'est pas installé et utilisé correctement, c'est-à-dire selon les directives du fabricant, ces fréquences peuvent entraîner des interférences dans les réceptions radiophoniques et télévisuelles. Cet équipement a été mis à l'essai et déclaré conforme aux limitations de l'équipement ISM énoncées à l'article 18 de la réglementation de la Commission, dont le but est d'offrir une protection raisonnable contre de telles interférences dans les installations résidentielles.

Il n'existe cependant aucune garantie que des interférences ne surviendront pas dans des installations particulières. Si cet équipement entraîne des interférences dans les réceptions radiophonique et télévisuelle, ce qui peut être déterminé en allumant et en éteignant l'équipement, l'utilisateur devrait tenter de corriger l'interférence en posant un ou plusieurs des gestes suivants :

- Réorienter l'antenne réceptrice de la radio ou de la télévision;
- Déplacer le four à micro-ondes par rapport au récepteur;
- Éloigner le four à micro-ondes du récepteur;
- Brancher le four à micro-ondes dans une prise différente afin qu'il ne se trouve pas sur le même circuit que le récepteur.

Le fabricant n'est pas responsable des interférences radiophoniques ou télévisuelles causées par une **MODIFICATION NON AUTORISÉE** à ce four à micro-ondes. L'utilisateur est responsable de la correction de telles interférences.

PRÉCAUTIONS À PRENDRE AFIN D'ÉVITER UNE EXPOSITION EXCESSIVE À L'ÉNERGIE MICRO-ONDE

Afin d'assurer votre sécurité, les consignes de ce guide doivent être suivies afin de réduire les risques d'incendie ou d'explosion, de dommages à la propriété, de blessure ou de décès.

Ne faites pas fonctionner ce four la porte ouverte : un tel fonctionnement peut entraîner une exposition dangereuse à l'énergie micro-onde. Il est important de ne pas contourner ou altérer le verrouillage de sécurité.

Ne déposez pas d'objet entre la face du four et la porte. Ne laissez pas la saleté ou les résidus de produits nettoyants s'accumuler sur les surfaces d'étanchéité.

Ne faites pas fonctionner le four s'il est endommagé. Il est très important que la porte du four se ferme bien et que les éléments suivants ne soient pas endommagés :

- 1 porte (courbée);
- 2 charnières et loquets (brisés ou lâches);
- 3 surface d'étanchéité et porte étanche.

Le four doit être réglé ou réparé par un technicien qualifié.

CONSERVEZ CES INSTRUCTIONS!



Information de Sécurité Important

LISEZ ET RESPECTEZ TOUTES LES CONSIGNES RELATIVES À LA SÉCURITÉ

PRÉCAUTION IMPORTANTE :

Afin de réduire les risques d'incendie, de chocs électriques, de blessures humaines ou d'exposition à une énergie des micro-ondes excessive lorsque vous utilisez votre appareil, veuillez vous conformer aux directives suivantes :

1. Lisez toutes ces instructions avant d'utiliser l'appareil.
2. Lisez la section « PRÉCAUTIONS À PRENDRE POUR ÉVITER UNE EXPOSITION POSSIBLE À L'ÉNERGIE EXCESSIVE DES MICRO-ONDES » à la page 2, puis suivez les directives.
3. Cet appareil doit être mis à la terre. Ne branchez cet appareil que sur une prise correctement mise à la terre. Voir « DIRECTIVES RELATIVES À LA MISE À LA TERRE » à la page 6.
4. N'installez ou placez cet appareil que conformément aux directives d'installation fournies.
5. Certains produits, tels que les oeufs entiers et les contenants hermétiques, par exemple les bocaux en verre fermés, pourraient exploser et ne devraient pas être réchauffés dans ce four.
6. Utilisez cet appareil uniquement pour ce à quoi il est destiné, tel qu'il est décrit dans le présent manuel. Ne pas utiliser de produits chimiques corrosifs ou de vapeurs corrosives dans cet appareil. Ce type de four est conçu spécialement pour chauffer, cuire ou assécher de la nourriture. Il n'est pas conçu pour une utilisation industrielle ou en laboratoire.
7. Comme avec tout appareil, une supervision est essentielle lorsqu'il est utilisé par un enfant.
8. Afin de réduire le risque d'incendie dans la cavité du four :
 - a. Ne pas faire cuire les aliments trop longtemps. Surveillez minutieusement l'appareil lorsque du papier, du plastique ou toute autre matière inflammable est placée dans le four pour faciliter la cuisson.
 - b. Retirez les liens torsadés de l'emballage en papier ou en plastique avant de placer le sac dans le four.
 - c. Si une matière dans le four prend feu, laissez la porte du four fermée, éteignez le four et débranchez le cordon d'alimentation ou coupez l'alimentation au fusible ou au panneau de disjoncteurs.
 - d. Ne pas utiliser la cavité à des fins d'entreposage. Ne laissez pas de produits en papier, d'ustensiles de cuisine ou de nourriture dans la cavité du four lorsque celui-ci n'est pas utilisé.
9. Les liquides, tels que l'eau, le café ou le thé peuvent chauffer au-delà de leur point d'ébullition, sans qu'ils ne bouillent, ceci étant dû à la tension superficielle du liquide. Des bulles ou d'autres signes visibles d'ébullition ne sont pas toujours présents lorsque le récipient est sorti du four à micro-ondes. **CELA PEUT ENTRAÎNER LE DÉBORDEMENT SOUDAIN DE LIQUIDES BRÛLANTS LORSQU'UNE CUILLÈRE OU UN AUTRE USTENSILE EST PLONGÉ DANS LE LIQUIDE.** Pour réduire le risque de blessure :
 - a. Ne pas faire trop chauffer les liquides.
 - b. Mélangez le liquide avant et à la moitié du temps de réchauffage.
 - c. N'utilisez pas de récipient sans rebord et à paroi étroite.
 - d. Après avoir réchauffé le récipient, laissez-le refroidir dans le four à micro-ondes pendant une courte période avant de retirer le récipient.
 - e. Soyez extrêmement prudent lorsque vous insérez une cuillère ou un autre ustensile dans le récipient.
10. Ne réchauffez pas de l'huile ou du gras pour y faire frire des aliments. Il est difficile de contrôler la température de l'huile dans un four à micro-ondes.
11. Faites des entailles dans les aliments aux peaux épaisses, tels que les pommes de terre, les courges entières, les pommes et les châtaignes.
12. Le contenu des biberons et des bocaux pour bébés devrait être mélangé ou agité, et la température devrait être vérifiée avant que le contenu soit servi, dans le but d'éviter des brûlures.
13. Les ustensiles de cuisson peuvent devenir chauds en raison du transfert de chaleur provenant de la nourriture réchauffée. Des poignées pourraient être nécessaires pour manipuler les ustensiles.
14. Ne recouvrez et ne bloquez pas les ouvertures de l'appareil.
15. Ne rangez et n'utilisez pas cet appareil à l'extérieur. N'utilisez pas ce produit à proximité de l'eau, par exemple, près d'un évier, dans un sous-sol humide, près d'une piscine ou dans un endroit similaire.
16. Ne faites pas fonctionner cet appareil si le cordon ou la fiche sont endommagés, s'il ne fonctionne pas correctement ou s'il a été endommagé ou échappé par terre.
17. N'immergez pas le cordon ou la fiche dans l'eau. Gardez le cordon d'alimentation à l'écart des surfaces chaudes. Ne laissez pas le cordon électrique pendre du bord d'une table ou d'un plan de travail.
18. N'utilisez que des thermomètres qui sont spécifiquement conçus pour être utilisés dans des fours à micro-ondes.
19. Ne faites pas fonctionner un appareil chauffant ou de cuisson en-dessous de cet appareil.
20. Assurez-vous que le plateau en verre et les anneaux de roulement sont bien en place lorsque le four fonctionne.
21. Cet appareil ne devrait être entretenu que par un personnel d'entretien qualifié. Communiquez avec les installations d'entretien autorisées les plus près de chez vous pour une vérification, une réparation ou un ajustement.
22. Lorsque vous nettoyez les surfaces de la porte et du four qui entrent en contact à la fermeture de la porte, n'utilisez que des savons doux et non abrasifs ou des détergents appliqués à l'aide d'une éponge ou d'un chiffon doux.

CONSERVEZ CES INSTRUCTIONS



Information De Securite Importantes

REMARQUES PARTICULIÈRES CONCERNANT LA CUISSON MICRO-ONDE

FORMATION D'ÉTINCELLES

Si vous voyez des étincelles, appuyez sur le bouton MARCHE/ARRÊT et corrigez le problème.

« Arcing » est le terme des micro-ondes pour décrire la formation d'étincelles dans le four. La formation d'étincelle est causée par :

- Du métal ou du papier d'aluminium en contact avec la paroi du four;
- Du papier d'aluminium non moulé autour des aliments (les arêtes pointant vers le haut agissent comme des antennes);
- Du métal, tel des attaches métalliques, des broches de volaille ou de la vaisselle cordonnée d'or dans le four à micro-ondes;
- Essuie-tout recyclé contenant de petits morceaux de métal dans le four à micro-ondes.

ALIMENTS

- Le maïs soufflé ne doit être cuit dans votre four à micro-ondes qu'à l'aide d'un accessoire de cuisson spécialement conçu à cet effet, à moins que vous n'utilisiez du maïs soufflé identifié pour l'utilisation au four à micro-ondes.
- Certains produits, tels les œufs entiers (dans leur coquille), les contenants hermétiques et les pots de verre fermés, peuvent exploser et ne devraient pas être chauffés dans ce four à micro-ondes.
- Ne faites pas bouillir des œufs au four à micro-ondes. La pression s'accumulera dans le jaune d'œuf et le fera exploser, entraînant potentiellement des blessures.
- Faire fonctionner le four à micro-ondes sans aliment à l'intérieur l'endommager et causer un incendie. La chaleur autour du magnétron augmente et peut réduire la durée de vie du four.
- Les aliments dotés d'une «peau» fermée tels les pommes de terre, saucisses, tomates, pommes, foie de poulet ou autres abattis et les jaunes d'œuf doivent être piqués avant la cuisson afin de permettre que la vapeur s'en échappe.

DONNEES DE SÉCURITÉ: EAU SURCHAUFFÉE

L'eau et les autres liquides ne font pas toujours de bulles lorsqu'ils atteignent le point d'ébullition au four à micro-ondes. Ils peuvent en fait surchauffer sans faire une seule bulle. Le liquide surchauffé peut faire des bulles lorsqu'il est déplacé ou que quelque chose y est déposé, telle une cuiller ou un sachet de thé. Afin d'éviter cette situation pouvant entraîner des blessures, ne chauffez aucun liquide pendant plus de 2 minutes par tasse. Une fois le liquide chauffé, laissez reposer la tasse pendant 30 secondes dans le four à micro-ondes avant de la déplacer ou d'y déposer quoi que ce soit.

- Évitez de chauffer de la nourriture pour bébé dans des pots de verre, même sans le couvercle. Assurez-vous que la nourriture pour bébé est entièrement cuite.

Mélangez les aliments afin de répartir la chaleur également. Prenez soin de ne pas vous ébouillanter lorsque vous chauffez du lait maternisé. Le contenant peut sembler plus froid que le lait ne l'est en réalité.

Vérifiez toujours la température du lait avant de nourrir le bébé.

- Ébullition spontanée – Dans certains cas, un liquide peut commencer à bouillir pendant qu'on le retire du four à micro-ondes ou immédiatement après. Afin d'éviter les blessures causées par un éclaboussement, nous vous recommandons de laisser le contenant reposer entre 30 et 40 secondes dans le four éteint avant de l'en retirer. Ne faites pas bouillir de liquide dans des contenants à col mince tels les bouteilles de boissons gazeuses, les flacons de vinet surtout les tasses à café étroites. Même si le contenant est ouvert, de la vapeur peut s'accumuler en excès et entraîner une explosion ou un débordement.



Information De Securite Importantes

REMARQUES PARTICULIÈRES CONCERNANT LA CUISSON MICRO-ONDE

DONNEES DE SÉCURITÉ: EAU SURCHAUFFÉE (Suite)

- Ne faites pas décongeler de boissons surgelées dans des bouteilles étroites (surtout les boissons gazeuses). Même si le contenant est ouvert, de la pression peut s'accumuler. Le contenant pourrait exploser, entraînant des blessures.
- La vapeur et les aliments chauds peuvent entraîner des brûlures. Soyez prudent lorsque vous ouvrez des contenants d'aliments chauds, y compris les sacs de maïs soufflé, les pochettes de cuisson et les boîtes. Afin d'éviter les blessures, dirigez la vapeur loin des mains et du visage.
- Ne cuisez pas trop les pommes de terre. Elles pourraient se déshydrater et s'enflammer, endommageant votre four.
- Cuisez entièrement la viande et la volaille : la viande doit avoir une température INTERNE d'au moins 71,1°C (160°F) et la volaille 82,2°C (180°F). La cuisson à ces températures prévient habituellement les maladies alimentaires.

USTENSILES DE CUISSON POUR MICROONDES

Assurez-vous que tous les ustensiles utilisés dans votre four à micro-ondes conviennent à ce type de cuisson. La plupart des casseroles de verre, plats de cuisson, tasses à mesurer, ramequins, poteries ou porcelaines sans bordure métallique ou enduit métallique peuvent être utilisés. Certains ustensiles de cuisson sont identifiés «sûr pour la cuisson aux micro-ondes».

- Si vous utilisez un thermomètre à viande durant la cuisson, assurez-vous qu'il convient aux fours au micro-ondes.
- N'utilisez pas de produits de papier recyclé. Les essuie-tout, serviettes de table et papier ciré recyclés peuvent contenir des particules métalliques pouvant causer la formation d'étincelles ou de flammes. Les produits de papier contenant du nylon ou des fils de nylon devraient être évités: eux aussi peuvent s'enflammer.
- Tous les emballages de plastique ne conviennent pas aux fours à micro-ondes. Vérifiez l'emballage pour une utilisation adéquate.
- Le fond de certains plateaux de polystyrène, tels les emballages de viande, comporte une fine couche de métal. Lorsque cuit aux micro-ondes, le métal peut brûler le plancher du four ou enflammer un essuie-tout.
- La chaleur des aliments chauffés peut se transférer sur l'ustensile de cuisson. Vous aurez peut-être besoin de poignées pour manipuler l'ustensile.
- Les pochettes de cuisson «à bouillir» et les sacs de plastique hermétiquement fermés devraient être fendus, percés ou aérés, tel qu'indiqué sur leur emballage. Sans quoi, le plastique pourrait exploser pendant la cuisson ou immédiatement après, entraînant des blessures. En outre, les plats de rangement de plastique devraient être partiellement découverts afin d'éviter qu'ils ne forment une fermeture hermétique. Lors de la cuisson, les plats couverts hermétiquement à l'aide de pellicule plastique, soyez prudent en retirant la pellicule et dirigez la vapeur loin des mains et du visage.
- Les essuie-tout, le papier ciré et la pellicule plastique peuvent être utilisés pour couvrir les plats afin de retenir l'humidité et d'éviter les éclaboussures. Assurez-vous d'aérer la pellicule plastique afin que la vapeur puisse s'échapper.

Comment déterminer si un plat convient au micro-ondes :

- 1) Placez le plat à vérifier et une tasse à mesurer de verre remplie d'une tasse d'eau dans le four.
- 2) Placez la tasse à mesurer dans le plat ou à côté.
- 3) Faites cuire aux micro-ondes pendant une minute à puissance élevée. Si le plat chauffe, il ne devrait pas être utilisé pour la cuisson aux micro-ondes. Si le plat demeure froid et que seule l'eau dans la tasse chauffe, le plat convient aux micro-ondes.



Information De Securite Importantes

REMARQUES PARTICULIÈRES CONCERNANT LA CUISSON MICRO-ONDE

USTENSILES DE CUISSON POUR MICROONDES (suite)

- N'utilisez le papier d'aluminium que de la façon décrite dans ce guide. Les plateaux télé peuvent être cuits au micro-ondes dans des plateaux d'aluminium de moins de 3/4 po. Retirez le couvercle supérieur et remettez le plateau dans la boîte. Lorsque vous utilisez du papier d'aluminium dans le four à micro-ondes, gardez une distance d'au moins 1 pouce entre le papier et les parois du four.
- Les ustensiles de cuisson de plastique conçus pour les microondes sont très pratiques, mais doivent être utilisés avec prudence. Même les plastiques conçus pour les micro-ondes peuvent ne pas résister à la surcuisson aussi bien que le verre ou la céramique : ils peuvent ramollir ou carboniser lorsque soumis à de courtes périodes de surcuisson. Les aliments et l'ustensile peuvent même s'enflammer sur une longue période de surcuisson.

Suivez les lignes directrices suivantes:

- 1) Utilisez des ustensiles de plastique conçus pour les microondes seulement et suivez attentivement les recommandations du fabricant.
- 2) **Ne cuisez pas** de contenant vide aux micro-ondes.
- 3) **Ne laissez pas** les enfants utiliser d'ustensile de plastique sans surveillance étroite.

INSTRUCTIONS DE MISE À LA TERRE

AVERTISSEMENT

Une utilisation inadéquate de la prise de mise à la terre peut causer des chocs électriques.

- Cet appareil doit être mis à la terre. Dans le cas d'un court-circuit électrique, la mise à la terre réduit le risque de choc électrique en offrant une sortie au courant électrique.
 - Cet appareil est doté d'un cordon d'alimentation avec fiche bipolaire avec terre. La fiche doit être branchée dans une prise correctement installée et mise à la terre. Consultez un électricien qualifié ou un technicien d'entretien si les directives de mise à la terre ne sont pas entièrement comprises, ou si un doute subsiste quant à la mise à la terre appropriée de l'appareil.
 - Si la prise est une prise standard à deux fiches, il est de votre responsabilité et devoir de la faire remplacer par une prise à trois fentes avec terre.
 - Ne coupez pas et ne retirez pas la troisième lame (mise à la terre) du cordon d'alimentation, peu importe les circonstances. N'utilisez pas d'adaptateur de fiche avec cet appareil.
 - N'utilisez pas de rallonge avec cet appareil. Si le cordon d'alimentation est trop court, faites installer une prise près de l'appareil par un électricien qualifié ou un technicien d'entretien. Pour un meilleur fonctionnement, branchez cet appareil dans une prise à lui seul afin d'éviter le scintillement des lumières, le grillage d'un fusible ou un arrêt du disjoncteur.
- A. Un cordon électrique court est fourni afin de réduire les risques de s'emmêler dans un cordon plus long ou de trébucher sur celui-ci.
 - B. Des cordons amovibles plus longs ou des rallonges sont disponibles et ne doivent être utilisés que si l'on prend toutes les précautions d'usage
 - C. En cas d'utilisation d'un long cordon amovible ou d'une rallonge :
 - (1) La tension électrique de fonctionnement marquée sur le cordon amovible ou sur la rallonge doit être au moins égale à celle de l'appareil.
 - (2) La rallonge doit être une rallonge à 3 fils avec mise à la terre et
 - (3) La rallonge doit être installée de façon à ne pas encombrer le plan de travail ou le dessus de table, afin d'éviter que les enfants ne la tirent ou trébuchent accidentellement.



Guide d'installation

1. Assurez-vous que tout le matériel d'emballage est retiré de la face intérieure de la porte ou de la surface intérieure du four. Ne retirez pas la mince feuille de mica brun apposée sur la cavité du four à micro-ondes pour protéger le magnétron.
2. Vérifiez que le four n'est pas endommagé, par exemple que la porte n'est pas irrégulière ou tordue, que les joints de porte ou les surfaces assurant l'étanchéité ne sont pas endommagés, que les charnières et loquets ne sont pas brisés ou ne jouent pas, et qu'il n'y a pas d'indentations dans la cavité ou sur la porte. Si vous remarquez des dommages, ne faites pas fonctionner le four à micro-ondes et communiquez avec un professionnel de réparation qualifié.
3. Ce four à micro-ondes doit être posé sur une surface plane et stable qui peut supporter son poids en plus du poids des aliments les plus lourds qui risquent d'être placés dans le four à micro-ondes.
4. Ne placez pas le four à proximité d'une source de chaleur ou d'humidité, ou près de matériaux combustibles.
5. Pour assurer un fonctionnement correct, un débit d'aération suffisant doit être présent. Prévoyez un espace de 30 cm au-dessus du four, de 7,5 cm à l'arrière et des deux côtés (voir le schéma). Ne pas recouvrir ou bloquer les événements se trouvant sur l'appareil. Ne pas retirer les pieds sur lesquels le four repose.
6. Ne pas faire fonctionner si le plateau de verre, le support de roulement et l'axe ne se trouvent pas dans la position appropriée.
7. Assurez-vous que le cordon d'alimentation est exempt de tout dommage et qu'il ne passe pas sous le four ni au-dessus d'une surface très chaude ou tranchante.
8. La prise femelle doit être facilement accessible pour permettre de débrancher l'appareil rapidement en cas d'urgence. La prise femelle doit être de la même tension et fréquence que ce qui est indiqué sur l'étiquette de classification de l'appareil.

GUIDE DES USTENSILES

Cette section énumère les ustensiles qui peuvent être utilisés dans ce four à micro-ondes, ceux qui peuvent être utilisés de façon limitée pendant de courtes périodes et ceux qui ne doivent pas être utilisés dans ce four à micro-ondes.

RECOMMANDÉS

Plat à brunir pour four à micro-ondes — Utilisez-le pour faire brunir l'extérieur de petits aliments comme des steaks, des côtelettes ou des crêpes. Suivez les instructions fournies avec votre plat à brunir.

Film plastique allant au micro-ondes — Utilisez-le pour retenir la vapeur. Laissez une petite ouverture pour que la vapeur puisse s'échapper et ne la placez pas directement sur les aliments.

Essuie-tout et serviettes — Utilisez-les pour réchauffer et couvrir les aliments pendant une courte période; ils absorbent l'excès d'humidité et préviennent les éclaboussures. N'utilisez pas d'essuie-tout en papier recyclé, qui peuvent contenir du métal et pourraient s'enflammer.

Bols et assiettes en verre et en vitrocéramique — Utilisez-les pour réchauffer ou cuire les aliments.

Assiettes et verres en papier — Utilisez-les pour réchauffer les aliments pendant une courte période à de basses températures. N'utilisez pas de papier recyclé, qui peut contenir du métal et pourrait s'enflammer.

Papier ciré — Utilisez-le pour recouvrir les aliments afin d'éviter les éclaboussures.

Thermomètres — N'utilisez que ceux étiquetés « Va au four à micro-ondes » et suivez toutes les directives. Vérifiez les aliments à plusieurs endroits. Les thermomètres conventionnels peuvent être utilisés sur les aliments cuits au four à micro-ondes une fois que les aliments ont été retirés du four.

UTILISATION LIMITÉE

Papier d'aluminium — N'utilisez que de fines bandes de papier d'aluminium pour empêcher que certaines régions exposées ne cuisent trop. Comme l'utilisation d'une quantité trop importante de papier d'aluminium peut endommager votre four à micro-ondes, soyez prudent. Vous devriez laisser un espace d'un pouce (2,54 cm) entre le papier d'aluminium et la paroi du four.

Céramique, porcelaine et grès — Ne les utilisez que s'ils sont étiquetés « Va au micro-ondes ». S'ils ne portent pas cette mention, testez-les pour vous assurer qu'ils peuvent être utilisés en toute sécurité.

Plastique — Ne l'utilisez que s'il est étiqueté « Va au micro-ondes ». D'autres plastiques pourraient fondre.

NON RECOMMANDÉS

Bocaux et bouteilles en verre — Le verre régulier est trop mince pour être utilisé dans un micro-ondes. Il peut éclater et causer des dommages et des blessures.

Sacs de papier — Ceux-ci constituent un risque d'incendie, à l'exception des sacs de maïs soufflé qui sont conçus à cet effet.

Assiettes et verres en mousse de polystyrène — Ces derniers peuvent fondre et laisser des résidus malsains sur la nourriture.

Contenants en plastique et à nourriture — Les contenants tels que les pots de margarine peuvent fondre dans le micro-ondes.

Ustensiles en métal — Ils peuvent endommager votre micro-ondes. Enlevez tout le métal avant la cuisson.

Remarque :

Pour vérifier si un plat va au four à micro-ondes, placez le plat vide dans le four à micro-ondes et faites chauffer à puissance élevée pendant 30 secondes. Un plat qui devient très chaud ne doit pas être utilisé.



Mode d'emploi

TECHNIQUES DE CUISSON

Votre four à micro-ondes rend la cuisine plus facile que la cuisine conventionnelle, à condition de ne pas oublier ces considérations.

REMUER - Remuez les aliments comme les casseroles et les légumes pendant la cuisson pour répartir uniformément la chaleur. Les aliments situés à l'extérieur du plat absorbent plus d'énergie et chauffent plus rapidement; remuez donc de l'extérieur vers le centre. Le four à micro-ondes s'éteindra lorsque vous ouvrirez la porte pour remuer les aliments.

DISPOSITION - Disposez les aliments de forme inégale, comme des morceaux de poulet ou des côtelettes, de façon à ce que les parties plus épaisses soient situées vers l'extérieur du plateau rotatif, là où elles recevront plus d'énergie des micro-ondes. Pour éviter la cuisson excessive, placez les sections délicates, comme les pointes d'asperges, vers le centre du plateau rotatif.

PROTECTION - Protégez les aliments avec des bandes étroites de papier d'aluminium pour les empêcher de trop cuire. Les sections qui doivent être protégées comprennent les extrémités des ailes et des pattes des volailles et les coins des plats de cuisson carrés. N'utilisez que de petites quantités de papier d'aluminium. De plus grandes quantités peuvent endommager votre micro-ondes.

RETOURNER - Retournez les aliments à la mi-cuisson afin d'exposer toutes les régions à l'énergie des micro-ondes. Ceci est particulièrement important lors de la cuisson de gros aliments, comme des rôtis.

REPOS - Les aliments cuits au four à micro-ondes accumulent de la chaleur interne et continuent de cuire pendant quelques minutes après la fin du chauffage. Laissez les aliments reposer pour terminer la cuisson, particulièrement les gâteaux et les légumes entiers. Les rôtis ont besoin de cette période de repos pour que le centre puisse finir de cuire sans que les parties extérieures cuisent trop. Tous les liquides, comme la soupe ou le chocolat chaud, doivent être agités ou remués à la fin de la cuisson. Laissez reposer les liquides un moment avant de les servir. Lorsque vous réchauffez des aliments pour bébés, mélangez-les bien lorsque vous les retirez du four et vérifiez la température avant de les servir.

AJOUT D'HUMIDITÉ - L'énergie des micro-ondes est attirée aux molécules d'eau. Les aliments dont le contenu en humidité n'est pas réparti de façon égale devraient être recouverts ou vous devriez les laisser reposer afin de permettre à la chaleur de se disperser uniformément. Ajoutez une petite quantité d'eau aux aliments secs afin de les aider à cuire.

AVANT D'APPELER POUR OBTENIR DU SERVICE

Si le four à micro-ondes ne fonctionne pas :

1. Vérifiez si le four à micro-ondes est bien branché. S'il ne l'est pas, retirez la fiche de la prise, attendez 10 secondes, puis rebranchez le four correctement.
2. Vérifiez si un fusible est grillé ou un disjoncteur a sauté sur le circuit principal. S'ils semblent fonctionner correctement, vérifiez la prise avec un autre appareil.
3. Assurez-vous que le panneau de commande est programmé correctement et que la minuterie est réglée.
4. Vérifiez que la porte est bien fermée et qu'elle enclenche le système de verrouillage de sécurité de la porte. Autrement, l'énergie des micro-ondes se circulera pas à l'intérieur.

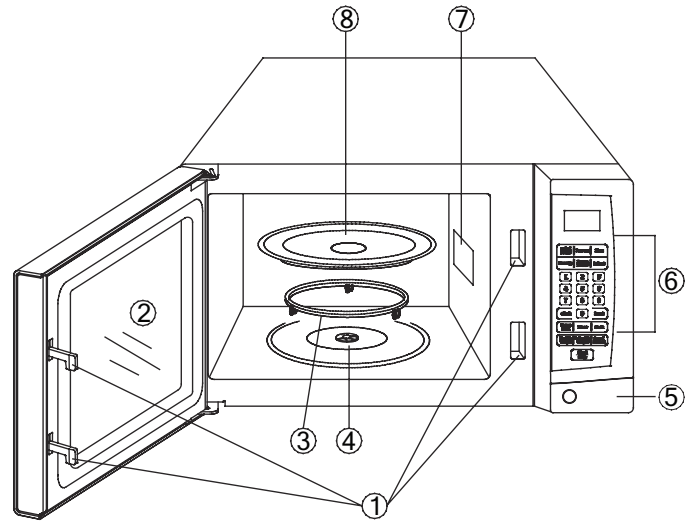
SI AUCUNE DES SITUATIONS PRÉCÉDENTES NE RÈGLE LE PROBLÈME, COMMUNIQUEZ AVEC UN TECHNICIEN QUALIFIÉ. N'ESSAYEZ PAS D'AJUSTER OU DE RÉPARER LE MICRO-ONDES VOUS-MÊME.



Mode d'emploi

NOMS DES PIÈCES

1. Système de verrouillage de sécurité de la porte
2. Fenêtre du four
3. Anneau de roulement
4. Arbre
5. Bouton d'ouverture de la porte
6. Panneau de commande
7. Guide d'ondes (veuillez ne pas retirer la plaque de mica recouvrant le guide d'ondes)
8. Plateau en verre



SPÉCIFICATIONS

Consommation de courant : 120 V~60 Hz, 1 450 W

Sortie : 1 000 W

Fréquence de fonctionnement : 2 450 MHz

Dimensions extérieures (H x L x P) : 11,8 × 21,3 × 16,1 po

Dimensions de la cavité du four (H x L x P) : 9,4 × 13,9 × 14,1 po

Capacité du four : 1,06 pi cu.

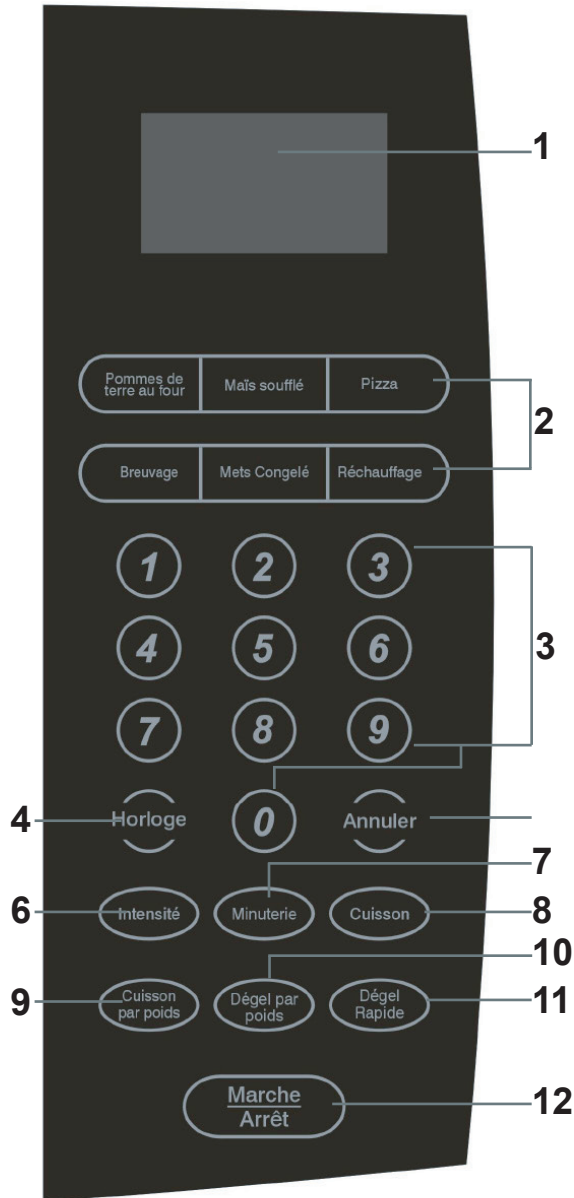
Uniformité de la cuisson : système de rotation

Poids net : environ 35,3 lb



Mode d'emploi

PANNEAU DE COMMANDE



1. ÉCRAN DE L'ACTION DU MENU

La durée de cuisson, la puissance, les indicateurs et l'heure actuelle sont affichés.

2. TOUCHES DE CUISSON RAPIDE

Réglages instantanés pour cuire les aliments les plus courants.

3. TOUCHES NUMÉRIQUES (0-9)

Touches pour régler la durée ou la quantité.

4. HORLOGE

Utilisée pour régler l'heure actuelle.

5. RÉINITIALISATION

Utilisé pour supprimer tous les réglages précédents.

6. NIVEAU DE PUISSANCE

Utilisé pour modifier le niveau de puissance.

7. MINUTERIE

La minuterie fonctionne de façon indépendante, même pendant un programme de cuisson.

8. CUISSON

Sert à la cuisson en plusieurs étapes. Il permet de régler automatiquement la cuisson à différents niveaux de puissance et pendant différentes durées.

9. CUISSON SELON LE POIDS

Cuisson programmée en fonction du poids des aliments que l'on fait cuire.

10. DÉCONGÉLATION SELON LE POIDS

Décongélation programmée en fonction du poids des aliments que l'on décongèle.

11. DÉCONGÉLATION RAPIDE

Fonction de décongélation rapide qui alterne entre la décongélation et le repos pour décongeler les aliments de façon rapide et efficace.

12. MARCHE/ARRÊT

Touche pour marche ou arrêt la cuisson.



Mode d'emploi

SIGNAUX PENDANT LE RÉGLAGE DU FOUR

UN SIGNAL : Le micro-ondes accepte l'entrée.

DEUX SIGNAUX : Le micro-ondes n'accepte pas l'entrée. Vérifiez et essayez à nouveau.

RÉGLAGE DE L'HORLOGE

1. Appuyez sur la touche HORLOGE.
2. Servez-vous du bloc de touches numériques pour saisir l'heure.
3. Appuyez encore sur le bloc de touches numériques de l'HORLOGE.

REMARQUE :

- L'horloge est réglée selon un cycle de 12 heures. Lorsque le four est branché pour la première fois ou lorsque le courant est rétabli après une panne de courant, SAISIR L'HEURE apparaît sur l'écran. Si vous préférez que l'horloge ne soit pas affichée, appuyez sur la touche RÉINITIALISATION.
- Vous pouvez vérifier l'heure pendant la cuisson en appuyant sur le bloc de touches numériques de l'HORLOGE.

RÉGLAGE DE LA MINUTERIE DU FOUR

1. Appuyez sur MINUTERIE.
2. Saisissez la durée souhaitée en appuyant sur les touches numériques (la durée maximale est de 99 minutes et 99 secondes).
3. Appuyez sur la touche DÉMARRAGE/ARRÊT.

REMARQUE :

- Le compte à rebours est affiché pendant 5 secondes avant que l'heure ou la durée de cuisson soit de nouveau affichée.
- Appuyez sur MINUTERIE, puis sur RÉINITIALISATION pour annuler la MINUTERIE au cours de l'opération.

RÉGLAGE D'UN PROGRAMME DE CUISSON

A. Cuisson en une seule étape

1. Servez-vous du bloc de touches numériques pour régler la durée de cuisson. Vous pouvez régler la durée de cuisson entre une seconde et 99 minutes et 99 secondes.
2. Si vous voulez programmer un niveau de puissance autre que 100 %, appuyez sur la touche NIVEAU DE PUISSANCE, puis utilisez les touches numériques pour saisir le niveau de puissance. Vous pouvez régler le niveau de puissance entre 1 et 9.

Servez-vous des chiffres d'un à neuf pour régler un niveau de puissance pour la cuisson :

Puissance de cuisson	100%	90%	80%	70%	60%	50%	40%	30%	20%	10%
Touches numériques	1,0	9	8	7	6	5	4	3	2	1

3. Appuyez sur la touche DÉMARRAGE/ARRÊT pour démarrer la cuisson.



Mode d'emploi

RÉGLAGE D'UN PROGRAMME DE CUISSON

Cuisson en deux étapes :

Certaines recettes nécessitent l'utilisation de différentes températures selon l'étape de cuisson.

1. PROGRAMMATION DE L'ÉTAPE 1 :

Suivez les étapes 1 et 2 figurant dans « Cuisson en une seule étape ». N'APPUYEZ PAS SUR DÉMARRAGE

2. PROGRAMMATION DE L'ÉTAPE 2 :

Appuyez sur CUISSON, puis indiquez le temps de cuisson approprié et le (plus bas) niveau de puissance.

3. Appuyez sur la touche DÉMARRAGE/ARRÊT.

REMARQUE :

- Pendant la cuisson, vous pouvez vérifier la puissance en appuyant sur la touche NIVEAU DE PUISSANCE.

DÉCONGÉLATION RAPIDE

1. Appuyez sur la touche DÉCONGÉLATION RAPIDE.

2. Saisissez la durée de décongélation souhaitée en appuyant sur les touches numériques appropriées (la durée maximale est de 99 minutes et 99 secondes).

3. Appuyez sur la touche DÉMARRAGE/ARRÊT.

REMARQUE :

- Après avoir réglé le four sur DÉCONGÉLATION RAPIDE, celui-ci peut être programmé pour se régler lui-même automatiquement à la cuisson en une seule étape ou en deux étapes.
- Pour la décongélation rapide et la cuisson en une seule étape, suivez les étapes susmentionnées. Avant d'appuyer sur la touche DÉMARRAGE, appuyez sur CUISSON, saisissez la durée et le niveau de puissance. Appuyez ensuite sur DÉMARRAGE/ARRÊT.
- Pour la décongélation rapide et la cuisson en deux étapes, suivez les étapes susmentionnées. Avant d'appuyer sur la touche DÉMARRAGE, appuyez sur CUISSON, puis choisissez les programmes de cuisson en deux étapes.

Vous pourriez devoir retourner les aliments en cours de cuisson; appuyez ensuite à nouveau sur la touche DÉMARRAGE/ARRÊT pour continuer la cuisson.

CUISSON SELON LE POIDS

1. Appuyez sur DÉCONGÉLATION SELON LE POIDS.

2. Indiquez le code à un chiffre en appuyant sur la touche correspondante du bloc numérique.

3. Saisissez le poids.

4. Appuyez sur la touche DÉMARRAGE/ARRÊT.

Description des codes de la cuisson selon le poids.

CODE	TYPE	POIDS MAX.
1	BOEUF	5 lb 16 oz
2	AGNEAU	5 lb 16 oz
3	PORC	5 lb 4 Oz

Remarque :

- La viande congelée doit être décongelée dans un réfrigérateur et non pas à la température ambiante.
- Le poids doit être exprimé en livres et en onces.



Mode d'emploi

CUISSON SELON LE POIDS

- Les poids inférieurs à 10 onces doivent être précédés d'un zéro. Si le poids figurant sur l'étiquette est en livres seulement, convertissez la fraction de livre en onces à l'aide du tableau ci-dessous:

Conversion des fractions de livres en onces.	
fractions de livres	onces
moins de 3	0
de 0,03 à 0,09	1
de 0,10 à 0,15	2
de 0,16 à 0,21	3
de 0,22 à 0,27	4
de 0,28 à 0,34	5
de 0,35 à 0,40	6
de 0,41 à 0,46	7
de 0,47 à 0,53	8
de 0,54 à 0,59	9
de 0,60 à 0,65	10
de 0,66 à 0,71	11
de 0,72 à 0,78	12
de 0,79 à 0,84	13
de 0,85 à 0,90	14
de 0,91 à 0,97	15
Au-dessus de 0,97	Arrondissez

- Retournez l'aliment lorsque deux signaux sonores sont émis par le four. Appuyez sur la touche DÉMARRAGE/ARRÊT pour continuer la cuisson.
- Laisser la viande reposer quelques minutes avant de la découper.

DÉCONGÉLATION SELON LE POIDS

1. Appuyez sur la touche DÉCONGÉLATION SELON LE POIDS.
2. Saisissez le poids (le poids maximal que vous pouvez entrer est 5 lb 16 oz).
3. Appuyez sur la touche DÉMARRAGE/ARRÊT.

REMARQUE :

- Le poids doit être exprimé en livres et en onces. Les poids inférieurs à 10 onces doivent être précédés d'un zéro. Si le poids figurant sur l'étiquette est en livres seulement, convertissez une fraction en onces à l'aide du tableau ci-dessus.
- Vous pourriez devoir retourner les aliments en cours de cuisson; appuyez ensuite à nouveau sur la touche DÉMARRAGE/ARRÊT pour continuer la cuisson.

RÉGLAGE DE LA SÛRETÉ

Le verrou de sécurité empêche les enfants de faire fonctionner l'appareil sans la supervision des parents.

Pour le régler, appuyez sur la touche RÉINITIALISER et maintenez-la pendant 3 secondes. « LOCK » (VERROUILLAGE) apparaît sur l'écran.

Pour annuler, appuyez sur la touche RÉINITIALISER et maintenez-la pendant 3 secondes. « LOCK » (VERROUILLAGE) disparaît de l'écran.

RAPPEL AUTOMATIQUE

Après un programme de cuisson ou de décongélation, un son se fait entendre et la mention « END » (FIN) apparaît dans l'affichage.

Appuyez sur n'importe quelle touche ou ouvrez la porte du four pour effacer la mention « END » (FIN) avant de vous servir d'une autre fonction de cuisson.



Mode d'emploi

PARAMÈTRES DE CUISSON RAPIDE

Les réglages de CUISSON RAPIDE vous permettent de faire cuire ou de réchauffer les aliments automatiquement sans avoir à indiquer le niveau de puissance ou la durée de cuisson.

Pour de plus petites portions, il suffit d'appuyer sur la touche correspondante et sur la touche DÉMARRAGE/ARRÊT. Pour de plus grandes portions, appuyez deux fois sur la touche.

REPAS SURGELÉ, POMMES DE TERRE AU FOUR et BOISSON vous permettent de faire cuire des quantités multiples des mêmes aliments. Il suffit d'appuyer une seule fois sur la touche, et SAISIR QTÉ apparaît sur l'écran. Indiquez la quantité des portions et démarrez la cuisson.

MAÏS À ÉCLATER :

1. Appuyez sur la touche MAÏS À ÉCLATER.
2. CODE et la durée de cuisson apparaissent dans l'affichage. La touche MAÏS À ÉCLATER permet de régler automatiquement la durée de cuisson d'un sachet de maïs à éclater de 3,5 oz dans un four à micro-ondes.
3. Appuyez sur la touche DÉMARRAGE/ARRÊT.

REMARQUE : pour changer la durée prééglée pour le MAÏS À ÉCLATER : appuyez à deux reprises sur la touche MAÏS À ÉCLATER. « ENTER TIME » (INDIQUER LA DURÉE) apparaît sur l'écran. Appuyez sur les touches numériques pour saisir les minutes et les secondes. Appuyez sur la touche DÉMARRAGE/ARRÊT. Cette nouvelle durée de cuisson sera programmée en tant que celle par défaut jusqu'à ce que vous la réinitialisez ou jusqu'à la prochaine réinitialisation du courant.

POMME DE TERRE

Pour des pommes de terre de 4 à 6 oz :

1. Appuyez une fois sur POMMES DE TERRE AU FOUR.
2. Saisissez le nombre de pommes de terre en appuyant sur les touches numériques 1 à 4.
3. Appuyez sur la touche DÉMARRAGE/ARRÊT.

Pour les pommes de terre de plus grande dimension entre 8 et 10 oz :

1. Appuyez à deux reprises sur la touche POMME DE TERRE.
2. Saisissez le nombre de pommes de terre en appuyant sur les touches numériques 1 à 4.
3. Appuyez sur la touche DÉMARRAGE/ARRÊT.

PIZZA

Pour réchauffer une pointe de pizza :

1. Appuyez une fois sur la touche PIZZA. CODE et la durée de cuisson apparaissent.
2. Appuyez sur la touche DÉMARRAGE/ARRÊT.

Pour réchauffer une pizza surgelée entière :

1. Appuyez deux fois sur PIZZA. CODE et la durée de cuisson apparaissent.
2. Appuyez sur la touche DÉMARRAGE/ARRÊT.

BOISSONS

Pour des tasses de 5 à 7 oz :

1. Appuyez une fois sur la touche BOISSON.
2. Indiquez le nombre de tasses en appuyant sur les touches numériques de 1 à 4.
3. Appuyez sur la touche DÉMARRAGE/ARRÊT.

Pour des tasses plus grandes de 9 à 11 oz :

1. Appuyez à deux reprises sur la touche BOISSON.
2. Indiquez le nombre de grandes tasses en appuyant sur les touches numériques (de 1 à 4).
3. Appuyez sur la touche DÉMARRAGE/ARRÊT.



Mode d'emploi

REPAS SURGELÉ

Pour faire cuire un ou deux petits repas congelés (de 7 à 9 oz) :

1. Appuyez une fois sur la touche REPAS SURGELÉ.
2. Pour un repas, appuyez sur 1, puis sur DÉMARRAGE/ARRÊT. Pour deux repas, appuyez sur la touche 2, puis sur DÉMARRAGE/ARRÊT.

Faire réchauffer un gros repas surgelé (10 à 12 oz) :

1. Appuyez à deux reprises sur la touche REPAS SURGELÉ.
2. Pour un repas, appuyez sur 1, puis sur DÉMARRAGE/ARRÊT. Pour deux repas, appuyez sur la touche 2, puis sur DÉMARRAGE/ARRÊT.

RÉCHAUFFER

1. Appuyez sur la touche RÉCHAUFFER. CODE et la durée de cuisson apparaissent.
2. Appuyez sur la touche DÉMARRAGE/ARRÊT.



Soins et entretien

- 1) Éteignez le four et retirez la fiche de courant de la prise murale avant de nettoyer celui-ci.
- 2) Conservez l'intérieur du four propre. Lorsque la nourriture éclabousse ou coule sur les parois du four, essuyez avec un chiffon humide. On peut utiliser un détergent doux si le four est très sale. Évitez d'utiliser un vaporisateur ou tout autre type de nettoyant agressif car ils pourraient tacher, laisser des traces ou ternir la surface de la porte.
- 3) Les surfaces extérieures doivent être nettoyées à l'aide d'un chiffon humide. Pour éviter d'endommager les pièces à l'intérieur du four, ne laissez pas de l'eau pénétrer dans les ouvertures de ventilation.
- 4) Essuyez les deux faces du hublot à l'aide d'un chiffon humide pour éliminer tout liquide déversé ou toute éclaboussure.
- 5) Évitez d'asperger d'eau le panneau de commande. Nettoyez avec un chiffon humide, doux. Lorsque vous nettoyez le panneau de commande, laissez la porte ouverte pour éviter la mise en marche accidentelle du four.
- 6) Lorsque la vapeur s'accumule à l'intérieur de la porte du four ou sur le pourtour extérieur, essuyez celle-ci à l'aide d'un chiffon doux. Ceci peut arriver lorsque le four à micro-ondes fonctionne dans un environnement très humide; ceci est normal.
- 7) Il est à l'occasion nécessaire de retirer le plateau tournant en verre pour le nettoyer. Nettoyez le plateau dans de l'eau tiède et savonneuse ou dans un lave-vaisselle.
- 8) L'anneau qui assure la rotation du plateau et la partie inférieure du four devraient être nettoyés régulièrement afin d'éviter qu'ils fassent trop de bruit. Nettoyez simplement la surface inférieure du four avec un détergent doux. On peut laver l'anneau à l'eau tiède savonneuse ou dans un lave-vaisselle. Veillez à remettre l'anneau à sa place lorsque vous le retirez du four pour le nettoyer.
- 9) Pour éliminer les odeurs de votre four, mélangez une tasse d'eau avec le jus et l'écorce d'un citron dans un bol profond et placez ce bol pendant 5 minutes dans le four. Essuyez-le à fond et séchez à l'aide d'un chiffon doux.
- 10) S'il vous faut remplacer l'ampoule du four, consultez un distributeur qui effectuera la tâche.
- 11) Lorsque vous nettoyez les surfaces de la porte et du four qui sont en contact lorsque vous fermez la porte, utilisez du savon ou du détergent doux, non abrasif et appliquez-le à l'aide d'une éponge ou d'un chiffon doux.
12. Veuillez ne pas jeter cet appareil ménager avec les ordures ménagères. Vous devriez vous en débarrasser dans un centre d'élimination des déchets de votre municipalité.



Depannage

En temp de temp, le probleme est mineur et n'exige pas un appel de service. Utilisez ce guide pour trouver des solutions. Si l'appareil ne fonctionne toujours pas, appelez un depot de service autorise ou le numero de telephone sans frais Danby **1-800-263-2629** pour de plus amples renseignements.

PROBLEME	CAUSE PROBABLE	SOLUTION
Le four ne se met pas en marche	<ul style="list-style-type: none">-La porte est ouverte.-La mauvaise option est choisie.	<ul style="list-style-type: none">- Branchez le four dans la prise.- Fermez la porte et essayez de nouveau.- Vérifiez les instructions.
Arcs électriques ou étincelles	<ul style="list-style-type: none">-aliments renversés.	<ul style="list-style-type: none">- Utilisez un plat allant au four à micro-ondes seulement.- Ne faites pas fonctionner le four- Nettoyez la cavité au moyen d'un chiffon humide.
Cuisson inégale des aliments	<ul style="list-style-type: none">-Les aliments n'ont pas été retournés ou remués.	<ul style="list-style-type: none">- Utilisez un plat allant au four à micro-ondes seulement.- Faites complètement décongeler les aliments.- Utilisez la bonne durée de cuisson
Aliments trop cuits	<ul style="list-style-type: none">- ne sont pas appropriées.	<ul style="list-style-type: none">- Utilisez la bonne durée de cuisson et la bonne puissance.
Aliments insuffisamment cuits	<ul style="list-style-type: none">- ne sont pas appropriées.	<ul style="list-style-type: none">- Utilisez un plat allant au four à micro-ondes seulement.- Faites complètement décongeler les aliments.- Assurez-vous que les événements du four à micro-ondes et la bonne puissance.
Décongélation inadéquate	<ul style="list-style-type: none">- Les aliments n'ont pas été retournés ou remués.	<ul style="list-style-type: none">- Utilisez un plat allant au four à micro-ondes seulement.- Utilisez la bonne durée de cuisson- Retournez ou remuez les aliments.

GARANTIE LIMITÉE SUR APPAREIL ÉLECTROMÉNAGER

Cet appareil de qualité est garanti exempt de tout vice de matière première et de fabrication, s'il est utilisé dans les conditions normales recommandées par le fabricant.

Cette garantie n'est offerte qu'à l'acheteur initial de l'appareil vendu par Danby Products Limited (Canada) ou Danby Products Inc. (E.- U. A.) (ci-après « Danby ») ou par l'un des ses distributeurs agréés et elle ne peut être transférée.

CONDITIONS

Les pièces en plastique sont garanties pour trente (30) jours seulement à partir de la date de l'achat, sans aucune prolongation prévue.

Premiers 12 mois Pendant les premiers douze (12) mois, toutes pièces fonctionnelles de ce produit qui s'avèrent défectueuses seront réparées ou remplacées, selon le choix du garant, sans frais à l'acheteur INITIAL.

Pour bénéficier du service Le client sera responsable pour le transport et tous les frais d'expédition de tout appareil exigeant le service au dépôt de service autorisé le plus proche. S'adresser au détaillant qui a vendu l'appareil, ou à la station technique agréée de service la plus proche, où les réparations doivent être effectuées par un technicien qualifié. Si les réparations sont effectuées par quiconque autre que la station de service agréée où à des fins commerciales, toutes les obligations de Danby en vertu de cette garantie seront annulées.

Aucune partie de la garantie ne prévoit implicitement que le fabricant sera tenu responsable des dommages subis par les aliments ou d'autres types de contenu, qu'ils soient causés par la défectuosité de l'appareil ou par son usage adéquat ou inadéquat.

EXCLUSIONS

En vertu de la présente, il n'existe aucune autre garantie, condition ou représentation, qu'elle soit exprimée ou tacite, de façon manifeste ou intentionnelle, par Danby ou ses distributeurs agréés. De même, sont exclues toutes les autres garanties, conditions ou représentations, y compris les garanties, conditions ou représentations en vertu de toute loi régissant la vente de produits ou de toute autre législation ou règlement semblables.

En vertu de la présente, Danby ne peut être tenue responsable en cas de blessures corporelles ou des dégâts matériels, y compris à l'appareil, quelle qu'en soit les causes. Danby ne peut pas être tenue responsable des dommages indirects dus au fonctionnement défectueux de l'appareil. En achetant l'appareil, l'acheteur accepte de mettre à couvert et de dégager Danby de toute responsabilité en cas de réclamation pour toute blessure corporelle ou tout dégât matériel causé par cet appareil.

CONDITIONS GÉNÉRALES

La garantie ou assurance ci-dessus ne s'applique pas si les dégâts ou réparations sont dus aux cas suivants :

- 1) Panne de courant.
- 2) Dommages subis pendant le transport ou le déplacement de l'appareil.
- 3) Alimentation électrique incorrecte (tension faible, câblage défectueux, fusibles incorrects).
- 4) Accident, modification, emploi abusif ou incorrect de l'appareil tel qu'une circulation d'air inadéquate dans la pièce ou des conditions de fonctionnement anormales (température extrêmement élevée ou basse).
- 5) Utilisation dans un but commercial ou industriel (à savoir, si l'appareil n'est pas installé dans un domicile résidentiel).
- 6) Incendie, dommages causés par l'eau, vol, guerre, émeute, hostilités, cas de force majeure (ouragan, inondation, etc.).
- 7) Visites d'un technicien pour expliquer le fonctionnement de l'appareil au propriétaire.
- 8) Installation inappropriée (par exemple, encastrement d'un appareil autoportant, ou utilisation extérieure d'un appareil non conçu à cet effet). Une preuve d'achat doit être présentée pour toute demande de réparation sous garantie. Prière de garder le reçu. Pour faire honorer la garantie, présenter ce document à la station technique agréée ou s'adresser à :

Service sous garantie
En Atelier

Danby Products Limited
PO Box 1778, Guelph, Ontario, Canada N1H 6Z9
Téléphone: (519) 837-0920 Télécopieur: (519) 837-0449

1-800-263-2629
03/14

Danby Products Inc.
PO Box 669, Findlay, Ohio, U.S.A. 45840
Téléphone: (419) 425-8627 Télécopieur: (419) 425-8629



MICROWAVE OVEN

The model number can be found on the serial plate located on the back panel of the unit.

All repair parts available for purchase or special order when you visit your nearest service depot. To request service and/or the location of the service depot nearest you, call Danby toll free.

When requesting service or ordering parts, always provide the following information:

- **Product Type**
- **Model Number**
- **Part Description**
- **Serial Number**

FOUR À MICRO-ONDES

Le numéro de modèle se trouve sur la plaque d'information sur la paroi arrière de l'appareil.

Toutes les pièces de rechange ou commandes spéciales sont disponibles de votre centre régional de service autorisé. Pour exiger le service et/ou le nom de votre centre de service régional, signalez le numéro sans frais de Danby.

Ayez les renseignements suivants à la portée de la main lors de la commande de pièce ou service:

- **Genre de produit**
- **Numéro de modèle**
- **Description de la pièce**
- **le numéro de série**



Model • Modèle
DMW1110WDB / DMW1110BLDB