

# Danby® *Designer*

## Owner's Use and Care Guide Guide d'utilisation et soins de Propriétaire

Model • Modèle  
DMW749SS



**CAUTION:** Read and follow all safety rules and operating instructions before first use of this product.

**MISE EN GARDE:** Lisez et suivez toutes les consignes de sécurité et d'utilisation avant la première utilisation de ce produit.

### MICROWAVE OVEN

Welcome	1
Important Safety Information	2 - 5
Operation	6
Operating Instructions	7 - 12
Care and Maintenance	12
Warranty	13

### FOUR À MICRO-ONDES

Bienvenue	14
Consignes de Sécurité Importantes	15 - 18
Opération	19
Consignes de Fonctionnement	20 - 25
Soins et Entretien	25
Garantie	26

---

# WELCOME

---

Welcome to the Danby family. We're proud of our quality products and we believe in dependable service. You'll see it in this easy to use manual and you'll hear it in the friendly voices of our consumer service department.

**Tel: 1-800-26-Danby®**  
**(1-800-263-2629)**

Best of all, you'll experience these values each time you use your microwave. That's important, because your new microwave will be part of your family for a long time.

## BEFORE USING YOUR MICROWAVE

Write down the model and serial numbers here. They are on a label located on the back of the oven.

Model Number \_\_\_\_\_

Serial Number \_\_\_\_\_

Date Purchased \_\_\_\_\_

Staple your receipt to this manual. You will need it to obtain service under warranty.

## NEED HELP?

Before you call for service, there are a few things you can do to help us serve you better...

**Read this manual:**

It contains instructions to help you use and maintain your microwave properly.

**If you received a damaged oven:**

Immediately contact the dealer (or builder) that sold you the oven.

**Save time and money:**

Check the section titled "Troubleshooting" before calling. This section helps you solve common problems that might occur. If you do need service, you can relax knowing help is only a phone call away.

**Tel: 1-800-26-Danby®**  
**(1-800-263-2629)**



---

# IMPORTANT SAFETY INFORMATION

---

## ***READ ALL SAFETY INFORMATION BEFORE USING*** **PRECAUTIONS TO AVOID POSSIBLE EXPOSURE TO** **EXCESSIVE MICROWAVE ENERGY**

For your safety the information in this manual must be followed to minimize the risk of fire or explosion or to prevent property damage, personal injury or loss of life.

**Do Not Attempt** to operate this oven with the door open since open-door operation can result in harmful exposure to microwave energy. It is important not to defeat or tamper with the safety interlocks.

**Do Not Place** any object between the oven front face and the door or allow soil or cleaner residue to accumulate on sealing surfaces.

**Do Not Operate** the oven if it is damaged. It is particularly important that the oven door close properly and that there is no damage to the:

- 1 door (bent),
- 2 hinges and latches (broken or loosened),
- 3 door seals and sealing surfaces.

**The Oven Should Not** be adjusted or repaired by anyone except properly qualified service personnel.

### **FEDERAL COMMUNICATIONS COMMISSION RADIO FREQUENCY INTERFERENCE STATEMENT (U.S.A. ONLY)**

This equipment generates and uses ISM frequencies and if not installed and used properly, that is in strict accordance with the manufacturer's instructions, may cause interference to radio and television reception. It has been type-tested and found to comply with limits for ISM Equipment pursuant to Part 18 of FCC Rules, which are designed to provide reasonable protection against such interference in a residential installation.

However, there is no guarantee that interference will not occur in particular installations. If this equipment does cause interference to radio or television reception, which can be determined by turning the equipment off and on, the user is encouraged to try to correct the interference by one or more of the following:

- Reorient the receiving antenna of radio or television.
- Relocate the microwave oven with respect to the receiver.
- Move the microwave oven away from the receiver.
- Plug the microwave into a different outlet so that microwave and receiver are on different branch circuits.

The Manufacturer is not responsible for any radio or TV interference caused by **UNAUTHORIZED MODIFICATION** to this microwave oven. It is the responsibility of the user to correct such interference.

## SAVE THESE INSTRUCTIONS

---

## IMPORTANT SAFETY INFORMATION (cont'd)

---

### WARNING

To reduce the risk of fire, burns, electric shock, injury to persons or exposure of excessive microwave energy when using your appliance, follow basic precautions, including the following sections.

---

### SAFETY PRECAUTIONS

- Read and follow the specific “Precautions to Avoid Possible Exposure to Excessive Microwave Energy” on page 3.
  - This appliance must be grounded. Connect only to a properly grounded outlet. See “Grounding Instructions” section on page
  - Do not operate this appliance if it has a damaged power cord or plug, if it is not working properly, or if it has been damaged or dropped.
  - Do not cover or block any openings on the appliance.
  - Use this appliance only for its intended use as described in this manual. Do not use corrosive chemicals or vapors in this appliance.
  - This microwave oven is specifically designed to heat, dry or cook food, and is not intended for laboratory or industrial use.
  - Some products such as whole eggs and sealed containers – for example, closed glass jars- may explode and should not be heated in this oven.
  - Do not store this appliance outdoors.
  - Do not use this product near water-for example, in a wet basement, near a swimming pool or near a sink.
  - Keep power cord away from heated surfaces.
  - Do not immerse power cord or plug in water.
  - See door surface cleaning instructions in the Care and Maintenance section(s) of this manual.
  - This appliance should be serviced only by qualified service personnel. Contact nearest authorized service facility for examination, repair or adjustment.
  - As with any appliance, close supervision is necessary when used by children.
- To reduce the risk of fire in the oven cavity:**
- Do not overcook food.
  - Carefully attend appliance if paper, plastic or other combustible materials are placed inside the oven while cooking.
  - Remove wire twist-ties and metal handles from paper or plastic containers before placing them in the oven.
  - Do not use the oven for storage purposes. Do not leave paper products, cooking utensils or food in the oven when not in use.
  - Do not use the microwave to dry newspapers.
  - If materials inside oven should ignite, keep the oven door closed, turn the oven off and disconnect the power at the fuse or circuit breaker panel. If the door is opened, the fire may spread.

---

## IMPORTANT SAFETY INFORMATION (cont'd)

---

### *SPECIAL NOTES ABOUT MICROWAVING*

**ARCING** If you see arcing, press the “STOP/Clear” button and correct the problem.

Arcing is the microwave term for sparks in the oven. Arcing is caused by:

- Metal or foil touching the side of the oven.
- Foil not molded to food (upturned edges act like antennae).
- Metal, such as twist-ties, poultry pins, or gold-rimmed dishes, in the microwave.
- Recycled paper towels containing small metal pieces being used in the microwave.

---

### **FOODS**

- Only cook popcorn in your microwave oven using a special microwave popcorn accessory dish, unless you use popcorn labeled for use in microwave ovens.
- Some products- such as whole eggs (with shell), sealed containers, and closed jars - will explode and should not be heated in this microwave oven. Heating these products in the microwave oven could result in injury.
- Do not boil eggs in a microwave oven. Pressure will build up inside egg yolk and will cause it to burst, possibly resulting in injury.
- Operating the microwave with no food inside for more than a minute or two may cause damage to the oven and could start a fire. It increases the heat around the magnetron and can shorten the life of the oven.
- Foods with unbroken outer “skin” such as potatoes, hot dogs, sausages, tomatoes, apples, chicken livers and other giblets, and egg yolks should be pierced to allow steam to escape before cooking.

---

### **SAFETY FACT: SUPERHEATED WATER**

Microwaved water and other liquids do not always bubble when they reach the boiling point; they can actually get superheated and not bubble at all. Superheated liquid can bubble up when it is moved or when something like a spoon or tea bag is put into it. To prevent this from happening and causing injury, do not heat any liquid for more than 2 minutes per cup. After heating, let the cup stand in the microwave for 30 seconds before moving it or putting anything into it. • Avoid heating baby food in glass jars, even with the lid off. Make sure all infant food is thoroughly cooked. Stir food to distribute the heat evenly. Be careful to prevent scalding when warming formula. The container may feel cooler than the milk really is. **Always test the milk before feeding the baby.**

• Spontaneous boiling- Under certain circumstances, liquids may start to boil during or shortly after removal from the microwave oven. To prevent burns from splashing liquid, we recommend the following:

Before removing the container from the oven, allow the container to stand in the the oven for 30 to 40 containers such as soft drink bottles, wine flasks and especially narrow-necked coffee cups. Even if the container is opened, excessive steam can build up and cause it to burst or overflow.

- Don't defrost frozen beverages in narrow-necked bottles (especially carbonated beverages). Even if the container is opened, pressure can build up. This can cause the container to burst, possibly resulting in injury.
- Hot foods and steam can cause burns. Be careful when opening any containers of hot food, including popcorn bags, cooking pouches and boxes. To prevent possible injury, direct steam away from hands and face.
- Do not overcook potatoes. They could dehydrate and catch fire, causing damage to your oven.
- Cook meat and poultry thoroughly- meat to at least an INTERNAL temperature of 160°F (71.1°C), and poultry to at least an INTERNAL temperature of 180°F (82.2°C). Cooking to these temperatures usually protects against food borne illness.

---

## IMPORTANT SAFETY INFORMATION (cont'd)

---

### *SPECIAL NOTES ABOUT MICROWAVING*

#### **MICROWAVE-SAFE COOKWARE**

Make sure all cookware used in your microwave oven is suitable for microwaving. Most glass casserole, cooking dishes, measuring cups, custard cups, pottery or china dinnerware which do not have metallic trim or glaze with a metallic sheen can be used. Some cookware will be labeled "suitable for microwaving".

- If you use a meat thermometer while cooking, make sure it is safe for use in microwave ovens.
- Do not use recycled paper products. Recycled paper towels, napkins, and waxed paper can contain metal flecks which may cause arcing or ignite. Paper products containing nylon or nylon filament should be avoided, as they may also ignite.
- Not all plastic wrap is suitable for use in microwave ovens. Check the package for proper use.
- Some styrofoam trays (like those that meat is packaged on) have a thin strip of metal embedded in the bottom. When microwaved, the metal can burn the floor of the oven, or ignite a paper towel.
- Cookware may become hot because of heat transferred from the heated food. Pot holders may be needed to handle the cookware.
- "Boilable" cooking pouches and tightly closed plastic bags should be slit, pierced, or vented as directed by package. If they are not, plastic could burst during or immediately after cooking, possibly resulting in injury. Also, plastic storage containers should be at least partially uncovered because they form a tight seal. When cooking with containers tightly covered with plastic wrap, remove covering carefully and direct steam away from hands and face.

• Paper towels, waxed paper, and plastic wrap can be used to cover dishes in order to retain moisture and prevent splattering. Be sure to vent plastic wrap so steam can escape.

#### **How to test for a microwave-safe dish:**

- 1) Place in the oven both the dish you are testing and a glass measuring cup filled with 1 cup of water.
- 2) Set the measuring cup either in or next to the dish.
- 3) Microwave 1 minute on high power.

If the dish heats, it should not be used for microwaving. If the dish remains cool and only the water in the cup heats, then the dish is microwave-safe.

• Use foil only as directed in this manual. TV dinners may be microwaved in foil trays less than 3/4" high; remove the top foil cover and return the tray to the box. When using foil in the microwave, keep the foil at least 1 inch away from the sides of the oven.

• Plastic cookware designed for microwave cooking is very useful, but should be used carefully. Even microwave-safe plastic may not be as tolerant of overcooking conditions as are glass and ceramic materials, and may soften or char if subjected to short periods of over-cooking. In longer exposure to over-cooking, the food and cookware could ignite.

#### **Follow these guidelines:**

- 1) Use Microwave-safe plastics only and use them in strict compliance with the cookware manufacturer's recommendations.
- 2) Do not microwave empty containers.
- 3) Do not permit children to use plastic cookware without complete supervision.

---

#### **GROUNDING INSTRUCTIONS**

**WARNING: Improper use of the grounding plug can result in a risk of electric shock.**

This appliance must be grounded. In the event of an electrical short circuit, grounding reduces the risk of electric shock by providing an escape wire for the electric current. This appliance is equipped with a power cord having a grounding wire with a grounding plug. The plug must be plugged into an outlet that is properly installed and grounded.

Consult a qualified electrician or service technician if the grounding instructions are not completely understood, or if doubt exists as to whether the appliance is properly grounded. If the outlet is a standard 2-prong wall outlet, it is your personal responsibility and obligation to have it replaced with a properly grounded 3-prong wall outlet.

**DO NOT** under any circumstances cut or remove the third (ground) prong from the power cord.

**DO NOT** use an adapter plug with this appliance.

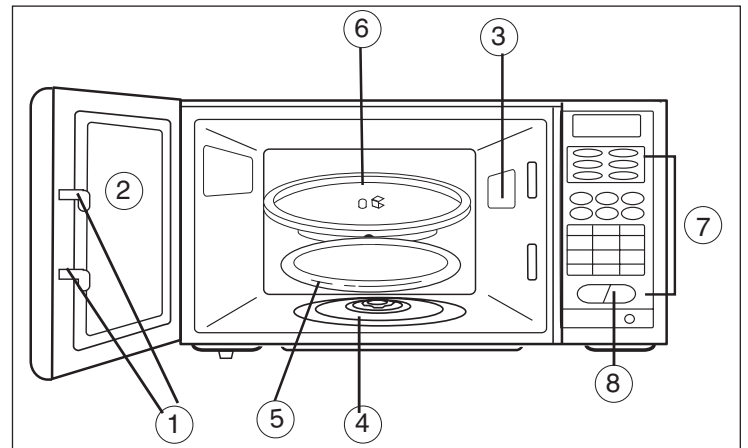
**DO NOT** use an extension cord with this appliance. If the power cord is too short, have a qualified electrician or service technician install an outlet near the appliance.

For best operation, plug this appliance into its own electrical outlet to prevent flickering of lights, blowing of fuse, or tripping of circuit breaker.

# OPERATION

## FEATURES OF YOUR MICROWAVE

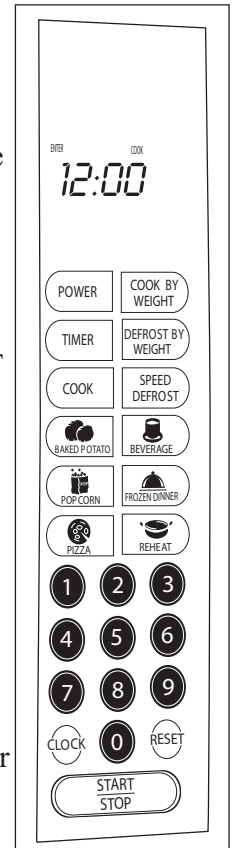
- 1) **Door Safety Lock System**
- 2) **Oven Window:** Screen allows cooking to be viewed while keeping microwave energy confined in oven.
- 3) **Turntable Shaft**
- 4) **Roller Ring**
- 5) **Removable Glass Turntable:** Turntable and support must be in place when using the oven. The turntable may be removed for cleaning.
- 6) **Control Panel**
- 7) **Electronic Display**



## CONTROLS

- **DISPLAY:** When set, displays clock/timer, shows cooking function (COOK, DEFROST, etc.) and step-by-step word prompts (which tell you which pad to touch) for easy oven setting.
- **BAKED POTATO:** Automatic program designed for best microwaving potatoes. For small potatoes (3.5-5 oz.) touch once, touch AMOUNT (1 to 4) then START. For large potatoes (6-8 oz.) tap pad twice, touch AMOUNT (1-4) then START.
- **POPCORN:** Automatic one-step setting for a 1/2- 3 oz. bag of microwave popcorn. Touch POPCORN pad, then START. See pages on "POPCORN" to reset control for packages of different ounce weight.
- **PIZZA:** Automatic program designed for pizza. Touch once then touch START for reheating 1 slice; tap pad twice, then START for frozen whole microwave pizza.
- **BEVERAGE:** Automatic setting for cups or mugs of hot beverages (tea/coffee). For cup size (4-6 oz.), touch pad once, touch AMOUNT (1-4) then START. For larger mugs (7-9 oz.), tap pad twice, touch AMOUNT (1-4) then START.
- **REHEAT:** Automatically programs oven to heat a plate of food evenly. Touch REHEAT pad then START.
- **NUMBER PADS:** Touch to set cook, speed defrost, timer and clock.
- **COOK PAD:** Cook at one power level for a period of time, then automatically switch to another power level for the remaining cook time.

- **FROZEN DINNER:** Automatic program designed for best reconstituting a variety of frozen single-serving entrees and dinners. For smaller single serving entree (5-7 oz.) touch once, touch AMOUNT then START. For a single larger (TV dinner type) frozen dinner (8-10 oz.) tap pad twice then START.
- **POWER PAD:** Oven automatically cooks at high power. For a lower power level, set cook time, touch POWER and enter number (1-9) for lower power level.
- **TIMER PAD:** Independent kitchen timer. Set any time even while oven is operating. Touch TIMER pad, set time then START. Touch RESET to cancel.
- **COOK BY WEIGHT:** Touch COOK pad, enter weight of meat accurately, then START. After partial cooking, oven stops, leaving time on display. Turn over meat when oven stops after partial cooking. Re-touch START to finish.
- **DEFROST BY WEIGHT:** Automatic defrosting of large meats. Controls power level to thaw without excessive outside warming.
- **speed defrost:** Automatically programs lower power levels for even defrosting. Touch SPEED DEFROST, set time and START.
- **CLOCK:** Touch pad once, touch number pads and CLOCK to set clock.
- **Reset:** Touch to clear display of unused time after cooking, also to cancel timer.
- **START/STOP PAD:** Touch as final step in setting oven. Touch to stop microwaving while oven is in operation (re-touch to continue timing shown on display). Will not stop timer.



## SETTING THE CLOCK

### A) Setting the clock when the microwave is plugged in:

- When the oven is first plugged into a wall outlet, touch the CLOCK pad once. The display will show 'ENTER CLOCK TIME'.
- Enter the correct time of day by touching the correct number pads. You must set at least 3 digits (one for hour(s) and two for minutes). For minutes less than 10, precede the 'minutes' digit with a 0. (ex. for 5 minutes past two, press 0205 for a time of 2:05). The colon will flash between hour and minute digits. If you prefer not to have the clock displayed, set the clock for 00:00 and the display will only show a colon (:). Touch CLOCK to lock in the time. Colon will stop flashing and clock will begin to keep current time.

# OPERATING INSTRUCTIONS

## CONTROLS (continued)

• After clock has been set, the word prompt clock will always show on the display unless oven is in a cooking operation.

### Changing the Clock Time:

• Touch the CLOCK pad once. The display will show “ENTER CLOCK TIME”.  
• Enter the correct time of day by touching the number pads. See Section A on previous page to complete setting the clock time.

**SETTING THE CLOCK:** If you MAKE A MISTAKE IN SETTING THE CORRECT TIME, start over by pressing the CLOCK pad twice.

To **RECALL TIME OF DAY WHILE YOU ARE COOKING:** press the CLOCK pad. Time of the day will be displayed for 3 seconds before returning to displaying the remaining cooking time.

In case of **POWER FAILURE:** when the power has been restored, the oven will be in a clock set mode. Follow the directions on page 11 for setting the clock.

### BEEPS DURING OVEN SETTING:

**ONE beep:** Oven accepts the entry. Information has been entered in the correct sequence.

**TWO beeps:** Oven does not accept the entry. Check and try again.

**SETTING THE OVEN TIMER:** Timer works independent from cooking and can be set anytime for various kitchen tasks. Use oven timer though oven is also timing a microwave cooking function. Cooking time countdown will be temporarily replaced on the display while timer is being set. Enter the amount of time you wish to set by touching the correct number pads. Digit time is in minutes and seconds and set left to right. Set one digit (a 5 for 5 seconds) or up to four digits (2405 for 24 minutes, 5 seconds). ENTER TIMER remains on the display- Touch START/STOP pad. The word TIMER will flash and timer countdown will be seen on display for 3seconds before cooking time is returned to display.

To STOP or RESET TIMER when cooking is not taking place, touch RESET pad. When SETTING TIMER DURING A COOKING OPERATION, take care to set timer correctly. Once the timer is set during cooking, setting cannot be changed without resetting the cooking function at the same time. Touching RESET will not allow you to change timer setting while cooking. When end of time has been reached, one long beep can be heard and timer will leave the display. If oven is not cooking, CLOCK and time of day (if set) will return to the display. If oven is in cooking operation, one long beep can be heard and TIMER will leave display while oven is continuing cooking time countdown.

**SETTING THE COOKING TIME & POWER LEVEL:** When cooking at 100% power, simply set cook time by touching number pads (for example, 3 minutes: touch 3-0-0) and START. 100% power is automatically set. For 1-step cooking, you do not have to touch COOK pad before setting time.

**TO COOK AT LOWER POWER LEVELS:** After setting cook time, touch POWER pad then single digit representing the power level desired. Touch START pad. Since oven automatically assumes 100% power, you must switch power level (when desired) after setting cook time.

Power Level	% of Power
10	100
9	90
8	80
7	70
6	60
5	50
4	40
3	30
2	20
1	10

**TWO-STAGE COOKING:** Two-stage cook function allows you to cook a food at two different power levels with one time setting. For example, rice should be cooked in two stages. Stage 1 starts rice at 100% power for 5 minutes; Stage 2 completes cooking 10-12 minutes at 50% power level.

**SET STAGE 1:** Assuming 100% power, just touch number pads corresponding to the desired length of first stage cooking time (most 2 stage recipes start with 100% power but you can also switch power levels after setting cook time.) DO NOT TOUCH START PAD.

**SET STAGE 2:** Touch COOK pad then enter proper cooking time and (lower) power level (most 2 stage recipes use lower power for second stage). Touch START pad. First stage of cooking begins. MEM (memory) word prompt shows on the display during Stage 1 Cooking, indicating that the oven is remembering that a second step (stage 2) has been programmed. After Stage 1 time has elapsed, signal may be heard, indicating the beginning of Stage 2.

AFTER TOTAL TIME HAS ELAPSED, 4 longbeeps sound and END appears in display. Touch RESET pad or open oven door to clear END before starting another cooking function.



---

## OPERATING INSTRUCTIONS (cont'd)

---

### CONTROLS (continued)

#### SETTING "SPEED DEFROST":

A) Speed Defrost automatically sets microwave oven power for quickest thawing of small to medium size foods. Speed Defrost works in conjunction with the Timer, so you must know how much time to set. Speed Defrost thawing times are usually fast enough that you stay close to oven and can attend to the food as it is defrosting. Many foods benefit from being turned over, rearranged or broken apart (if separate pieces are frozen together). This attention makes defrosting faster and more even.

**"How do I know whether to set Speed Defrost or Defrost by Weight?"** This is determined by the type of food being defrosted and amount of attention that must be paid to the food. The automatic-coded Defrost by Weight requires only turn-over of the meat. Touch SPEED DEFROST pad. Word prompts ENTER DEF TIME shows on the display.

Enter desired Speed Defrost time by touching correct number pads. Digital timer sets minutes and seconds from left to right so a single digit can be set (5 for 5 seconds) or up to 4 digits (2405 for 24 minutes 5 seconds). ENTER DEF remains on the display. Touch START/STOP pad. DEF flashes on the display and defrost time begins counting down.

AFTER TIME HAS ELAPSED signal sounds and END appears in display. Touch RESET pad or open door to clear END before starting another cooking function.

B) To set "SPEED DEFROST" and one or two-stage cooking sequentially: After setting SPEED DEFROST, oven can be programmed to automatically switch to One or Two-Stage cook. This feature is useful for frozen, moist casseroles and similar foods which can be stirred while reconstituting. After defrosting, cook at 100% power level, then reduce to lower settings until bubbling hot. Stir occasionally to break up and redistribute heat.

#### THESE ARE NORMAL:

- Outside of oven may feel warm.
- Steam may escape from oven or moisture in oven may be seen after cooking.
- Change in interior light intensity, and change in blower sound when lower power setting are used.
- TV or radio interference (similar to interference experienced in other small appliances) may be noticed.

NONE OF THE ABOVE INDICATE A MALFUNCTIONING MICROWAVE.

#### INTERRUPT DEFROSTING (to stir food, turn it over, or provide other attention):

Either touch START/STOP pad or open the oven door. Unelapsed time will show on display; reclose the door and restart to continue. If no additional defrosting is required, touching RESET pad clears the display.

**SETTING COOK BY WEIGHT:** This feature is for roasting meats in the microwave. Its pre-set times and power levels give better results than microwaving at one power only, and it is easier to microwave meat with this setting than with cookbook instructions because you do not have to calculate "minutes per pound" cooking times. As soon as you enter the code (which tells the oven the type of meat) and the weight, the oven calculates cooking time. Meat must be defrosted and at refrigerated temperature to correspond with the pre-set times in this code. Meat-roast weights in about the 3 to 5 pound range microwave best, COOK BY WEIGHT code allows a setting lower than 3 lb. but no higher than 5 lb. Depending on the code, two beeps signal an error in setting a too-high weight. "Cook by Weight" programs the oven to stop after partial cooking, so meat won't overcook on one side. Turn meat over, then touch START pad to continue cooking.

• Touch COOK BY WEIGHT pad- Word prompt shows ENTER CODE on display. Select desired code from 1 through 3. Door frame (open the door to review) and chart at right describe types of food for each code. Enter the one-digit code by touching the correct number pad. Check weight of meat. Weight must be in pounds and ounces. If label gives weight in pounds only, change the fraction of a pound to ounces using chart on page 11. Enter weight. Word prompt ENTER shows in display and 0's show where LB and OZ should be entered. LB flashes until you enter pound(s) by touching correct number pad. When pound(s) has been entered, LB will stop flashing and OZ will flash. As soon as all these digits have been set, display will immediately show cook time.

# OPERATING INSTRUCTIONS (cont'd)

## CONTROLS (continued)

### SETTING COOK BY WEIGHT (cont'd):

Ounce weights less than 10 must be preceded by a 0. As soon as three digits are set, display immediately shows cook time. Touch START/STOP to start oven, CODE flashes in display as time counts down. Interior light goes on and fan sound is heard. Signal sound after about 1/4 time. If necessary, check thin edges of meat and poultry for shielding (ie. check for aluminum foil layer if microwaving in original packaging). After partial cooking, oven beeps twice and stops. Interior light goes off but time remains on the display. This stop is to prevent meat from overcooking on one side before turning over. After turning meat over, touch START pad to resume the time on display and finish cooking. After total cooking time, 4 long beeps sound and END appears in display. Touch RESET or open oven door to clear END before starting another cooking function. Let roast stand for a few minutes before carving.

**CONVERTING FRACTIONS OF A POUND TO OUNCES:** Most meat packages show weight in pounds only. Convert fractions of a pound to ounces for COOK BY WEIGHT feature by using chart to the right.

Food (lb)	Oz.
under .03	0
.03 to .09	1
.10 to .15	2
.16 to .21	3
.22 to .27	4
.29 to .34	5
.35 to .40	6
.41 to .46	7
.47 to .53	8
.54 to .59	9
.60 to .65	10
.66 to .71	11
.72 to .77	12
.78 to .83	13
.84 to .90	14
.91 to .97	15
.98 to 1.0	16

## DEFROST & ONE STAGE COOKING

Before touching START pad, touch COOK pad, enter time using number pads and power if desired. Then touch START pad. MEM shows on the display until oven switches (beeps twice) to COOK. See page 9 for detailed information on Staged Cooking.

For Defrost and Two Stage Cook, follow steps above. Before touching START pad, enter two COOK programs, using a different (usually lower) power for the second COOK. MEM shows on the display during both Defrost and first COOK stage. Signal sounds when switching stages.

**INTERRUPT DEFROSTING** (to stir food, turn it over, or provide other attention): Either touch START/STOP pad or open the oven door. Unelapsed time will show on display; reclose the door and restart to continue. Or if no additional defrosting is required, touching RESET pad clears the display.

**SETTING COOK BY WEIGHT:** This feature is for roasting meats in the microwave. Its pre-set times and power levels give better results than microwaving at one power only, and it is easier to microwave meat with this setting than with cook book instructions because you do not have to calculate "minutes per pound" cooking times. As soon as you enter the code (which tells the oven the type of meat) and the weight, the oven calculates cooking time. Meat must be defrosted and at refrigerated temperature to correspond with the pre-set times in this code. Meat-roast weights in about the 3 to 5 pound range microwave best, COOK BY WEIGHT code allows a setting lower than 3 lb. but no higher than 5 lb. Depending on the code, two beeps signal an error in setting a too-high weight. "Cook by Weight" programs the oven to stop after partial cooking, so meat won't overcook on one side. Turn meat over, then touch START pad to continue cooking.

Touch COOK BY WEIGHT pad. Word prompt shows ENTER CODE on display. Select desired code from 1 through 3. Door frame (open the door to review) and conversion chart above describe types of food for each code. Enter the one-digit code by touching the correct number pad. Check weight of meat. Weight must be in pounds and ounces. If label gives weight in pounds only, change the fraction of a pound to ounces using chart above. Enter weight. Word prompt ENTER shows in display and 0's show where LB and OZ should be entered. LB flashes until you enter pound(s) by touching correct number pad. When pound(s) has been entered, LB will stop flashing and OZ will flash. As soon as all these digits have been set, display will immediately show cook time.

Ounce weights less than 10 must be preceded by a 0. As soon as three digits are set, display immediately shows cook time. Touch START/STOP to start oven, CODE flashes in display as time counts down. Interior light goes on and fan sound is heard. Signal sound after about 1/4 time. If necessary, check thin edges of meat and poultry for shielding. After partial cooking, oven beeps twice and stops. Interior light goes off but time remains on the display. Stop is to prevent meat overcooking on one side before turning over. After turning meat over, touch START pad to resume the time on display and finish cooking.

After total cooking time, 4 long beeps sound and END appears in display. Touch RESET or open oven door to clear END before starting another cooking function. Let roast stand few minutes before carving.

• When oven switches power levels, you may observe change in lighting intensity and/or change in blower sound. This is normal.

---

## OPERATING INSTRUCTIONS (cont'd)

---

### SETTING SAFETY LOCK

The safety lock prevents unsupervised operation by little children. During idle mode, press and hold the RESET pad for 3 seconds to activate the child lock function. To cancel the child lock, press and hold the RESET pad for 3 seconds again in idle mode.

### ONE TOUCH COOKING

**ABOUT “ONE TOUCH” COOKING:** Your oven has 6 “ONE TOUCH” cooking programs for microwaving popular foods. When selecting a “ONE TOUCH” setting, check visual guide on pad for correct setting. Where dots (.) (..) are shown on a “ONE TOUCH” pad, more than one size of food can be cooked. Three “ONE TOUCH” settings allow you to cook several amounts (one or more items) of the same food. These include the “FROZEN DINNER”, “BAKED POTATO” and “BEVERAGE”.

After you touch these pads, AMT (amount) appears on the display as a reminder to program the number of items you are microwaving into the ovens control. The categories which have dots corresponding to two sizes of foods include: “FROZEN DINNER”, “BAKED POTATO”, “PIZZA” AND “BEVERAGE”. In each “ONE TOUCH COOK” category, smaller size food is set by touching pad once. One dot (.) below picture of smaller size food signifies one touch of the pad. The large size can be set by tapping the picture pad twice. Two dots (..) below the picture of large size food signifies two taps of the pad. Where AMT appears with “ONE TOUCH” settings, setting a greater number of items than allowed will result in two beeps, signaling an error. The following pages give the maximum number of items allowed for each setting.

**SETTING “POPCORN”:** The “POPCORN” control automatically sets the correct COOK time for a 3 1/2oz. bag of microwave popcorn. YOU CAN CHANGE THE POPCORN SETTING TO “REMEMBER” A DIFFERENT COOK TIME. You may wish to do this if your favorite size of popcorn is something other than 3 1/2 oz. Sizes from the individual 2 oz. size up to the larger “family size” packages are now available. If you do change the popcorn setting, however, the oven will continue to select the new setting each time you touch the POPCORN pad until you reset it again.

**TO AVOID DISCOLORATION ON YOUR OVEN TURNTABLE,** set microwave popcorn packages on a microwaveable saucer or other small plate. The “this side down” side of microwave popcorn bags contains a heat-absorbing lining which gets very hot. Placing a saucer between the bag and the turntable prevents the bag dyes from staining the turntable when hot.

### TIPS TO KNOW ABOUT MICROWAVE POPCORN:

Check popcorn as it pops and stop when pops slow down to 3 seconds apart. Do not try to re-pop unpopped kernels. Unless you have a microwave recommended utensil for popping corn, use only commercial bags of microwave popcorn. Using glass or ceramic dishes or paper bags may cause harm to oven. Be careful when handling hot bags of popcorn. To prevent steam burns, keep hands to sides of package, rather than the top. Especially warn children of high heat in popcorn bags.

**1) Touch POPCORN Pad,** COOK appears on the display, along with time setting of 2:40 (2 min.40 sec.). This pre-set cook time has been coordinated with the oven’s wattage for best results of a regular-size 3 1/2 oz. bag of popcorn.

**2) Touch START pad.** Word prompt COOK flashes while the timer counts down during cooking operation. Interior light goes on and fan sound is heard. Turntable rotates (for single popcorn bag, leaving turntable on gives best cooking results).

**3) To reset POPCORN time:** Tap POPCORN pad twice. ENTER TIME appears on display. Touch number pads to enter minutes and seconds. Touch START pad. This new cook time will remain whenever you use the POPCORN pad until your reset it.

---

## OPERATING INSTRUCTIONS (cont'd)

---

### ONE TOUCH COOKING (cont'd)

**SETTING “BAKED POTATO”:** The “POTATO” automatic setting allows you to easily set the microwave to cook a variety of potatoes. A built-in standing time helps equalize the potatoes temperature during the microwave process. Touch once for small to average (3.5 to 5 oz.) potatoes. Tap twice for 6 to 8 oz. dinner-size. After you select the size of potato, you must set the number of potatoes you are cooking. With the POTATO pad, you can cook up to 4 potatoes of either size.:

1) For **4 to 6 oz.** potatoes, touch POTATO pad once. ENTER AMT appears on display. Enter number of potatoes (up to 4) by touching number pads from 1 to 4. Cook times for small-medium potatoes are as follows:

1 potato: 4 min. 11 sec., 2 potatoes: 7 min. 34 sec., 3 potatoes: 10 min. 46 sec., 4 potatoes: 13 min. 20 sec.

2) For large **8 to 10 oz.** potatoes, tap POTATO pad twice. ENTER AMT and number of potatoes as described above. Cook times for large potatoes are as follows:

1 potato: 6 min. 32 sec., 2 potatoes: 11 min. 01 sec., 3 potatoes: 15 min. 23 sec., 4 potatoes: 19 min. 29 sec.

3) CODE and the correct amount of cook time depending on amount (number) of potatoes, appears on display. Touch START pad. CODE flashes on display and time begins to countdown.

**SETTING “PIZZA”:** With the automatic PIZZA pad you can reheat single serving of leftover cooked pizza or a whole frozen microwave pizza. The amount depends on how you set the pad. For a thick slice (or two thin ones-about 4 or 5 ounces total) of reheated pizza, touch the PIZZA pad once. For a whole frozen microwave pizza, tap the PIZZA pad twice.

1) **REHEATING A SLICE (OR TWO THIN ONES) OF LEFTOVER PIZZA:** Touch PIZZA pad once. CODE and 0:45 (45 sec.) appears.

2) **HEATING A WHOLE FROZEN MICROWAVE PIZZA:** Tap PIZZA pad twice. CODE and 2:40 (2 min. 40 sec.) appears.

3) Touch START. CODE flashes on display and cook time begins to count down.

**SETTING “BEVERAGE”:** The BEVERAGE pad is automatically programmed to let you microwave cups of beverages (tea/coffee) in two sizes. For small “coffee cup” serving, touch the BEVERAGE pad once. With large coffee mugs, tap the BEVERAGE pad twice. After you have selected the coffee cup size, you must set amount of cups to be microwaved. If you skip the AMOUNT step, the oven assumes 1 cup.

1) For **5 to 7 oz. coffee cups**, touch BEVERAGE pad once. ENTER AMT (amount) appears on display. Enter number of cups (up to 4) by touching number pads from 1 to 4. Cook times for coffee cups are as follows:

1 cup: 1 min., 2 cups: 1 min. 50 sec., 3 cups: 2 min. 40 sec., 4 cups: 3 min. 30 sec.

2) For the large **7 to 9 oz. coffee mugs**, tap BEVERAGE pad twice. ENTER AMT (amount) appears on display. Enter number of mugs (up to 4) by touching number pads from 1 to 4. Cook times for coffee mugs are as follows: 1 mug: 1 min. 35 sec., 2 mugs: 3 min. 05 sec., 3 mugs: 5 min., 4 mugs: 6 min. 30 sec.

3) CODE and the correct amount of cook time (depending on amount of cups or mugs) appears on display. Touch START. CODE flashes on display and time begins to count down.

**SETTING “FROZEN DINNER”:** This automatic setting is very useful for easily microwaving your favorite single-serving entrees and dinners. This setting may take slightly longer than the microwave time given on the package. That's because of the built-in standing time included in the oven's automatic program. The program's specially designed sequence of power levels plus the automatic standing time allows one setting to microwave a great variety of frozen foods.

1) **MICROWAVE 1 OR 2 SMALL SIZE (7~9 oz.) FROZEN DINNERS:** Touch FROZEN DINNER pad once. ENTER AMT (amount) appears on the display. You can skip the amount step for 1 entree, just touch START. For 2 entrees, touch the “2” number pad. Cook times for small-size entrees are as follows:

1 entree: 4 min. 15 sec., 2 entrees: 7 min. 30 sec.

2) **MICROWAVING ONE LARGER 10~12 oz. FROZEN PLATED DINNER:** Tap FROZEN DINNER pad twice. ENTER AMT (amount) appears on the display. You can skip the amount step for 1 entree, just touch START. For 2 entrees, touch the “2” number pad. Cook times for small-size entrees are as follows:

1 entree: 6 min., 2 entrees: 11 min.,

3) CODE and correct amount of cook time appears on display. Touch START pad. CODE flashes on display and time begins to count down.

---

## OPERATING INSTRUCTIONS (cont'd)

---

### ONE TOUCH COOKING (cont'd)

**SETTING "REHEAT":** This setting lets you reheat a dinner plateful of chilled leftovers with good results. Its automatic program has been designed to tolerate a large variety of food combinations when arranged together.

Remember some of the following tips when preparing foods to reheat on the REHEAT setting. How you arrange foods on the plate affects how evenly they cook. Consider the amount and density of each food. **DENSE FOODS SUCH AS MEATS** (large or bulky pieces or thick slices of precooked meats) **AND COMPACT VEGETABLE** such as mashed potatoes or potatoes au gratin should be placed around edges of plate and spread out as much as possible to expose them to microwave energy.

**LARGE AMOUNT OF FOODS** should be spread out to receive more microwave energy than smaller amounts. Covering dry meat slices with sauce or gravy also helps speed their heating. **LIGHT, AIRY FOODS** such as rice, small pieces of vegetables, delicate seafood, small chicken nuggets, or small amounts of food absorb microwaves quickly. Place these in the center of the plate where they will be somewhat shielded by foods on the outside edges.

**TEMPERATURE OF FOODS** determine how evenly they cook together. A can of freshly opened vegetables (food is at room temperature) will probably heat more quickly than foods which are started from the refrigerator.

**DELICATE DINNER ROLLS**, if desired, should be added only the last few seconds. **COVER** plate with wax paper to hold steam around most foods.

**EXCEPTION:** Do not cover to warm rare meats and foods with crisp exteriors.

- 1) Touch REHEAT pad. CODE appears on the display and 3:00 (3 min.) is set. This coded setting includes three automatic cooking levels which allow for even cooking of many food combinations and types.
- 2) Touch START pad. CODE flashes on display and cooking time begins counting down.
- 3) When cooktime has elapsed, END appears on display. Open oven door or touch RESET pad to return clocktime (if set) to display.

---

## CARE AND MAINTENANCE

---

- 1) Turn off the oven and remove the power plug from the wall socket before cleaning.
- 2) Keep the inside of the oven clean. When food splatters or spilled liquids adhere to oven walls, wipe with a damp cloth. Mild detergent may be used if the oven gets very dirty. Avoid the use of spray and other harsh cleaners as they may stain, streak or dull the door surface.
- 3) The outside surfaces should be cleaned with a damp cloth. To prevent damage to the operating parts inside the oven, water should not be allowed to seep into the ventilation openings.
- 4) Wipe the window on both sides with a damp cloth to remove any spills or splatters.
- 5) Do not allow the control panel to become wet. Clean with a soft, damp cloth. When cleaning the control panel, leave oven door open to prevent oven from accidentally turning on.
- 6) If steam accumulates inside or around the outside of the oven door, wipe with a soft cloth. This may occur when the microwave oven is operated under high humidity conditions; this is normal.
- 7) It is occasionally necessary to remove the glass tray for cleaning. Wash the tray in warm sudsy water or in a dishwasher.
- 8) The roller ring and oven floor should be cleaned regularly to avoid excessive noise. Simply wipe the bottom surface of the oven with mild detergent. The roller ring may be washed in mild sudsy water or dishwasher. When removing the roller ring from cavity floor for cleaning, be sure to replace in the proper position.
- 9) Remove odors from your oven by combining a cup of water with the juice and skin of one lemon in a deep bowl, microwave for 5 minutes. Wipe thoroughly and dry with a soft cloth.
- 10) When it becomes necessary to replace the oven light, please consult a dealer to have it replaced.
- 11) When cleaning surfaces of door and oven that comes together on closing the door, use only mild, non abrasive soaps or detergents applied with a sponge or soft cloth.

---

## BIENVENUE

---

Bienvenue dans la famille de produits Danby. Nous sommes fiers de nos produits de qualité et nous croyons en un service fiable. Vous le constaterez à ce guide pratique et su ton amical de notre personnel du service à la clientèle

**Tél.: 1-800-26-Danby® (1-800-263-2629)**

Mieux encore, vous constaterez la qualité de nos produits et leur fiabilité à chaque utilisation de votre four à micro-ondes. C'est important: votre nouveau four à micro-ondes fera longtemps partie de votre famille.

### AVANT D'UTILISER VOTRE FOUR À MICRO-ONDES

**Inscrivez les numéros de modèle et de série ici. Ils se trouvent sur une étiquette à l'arrière du four.**

Numéro de Modèle \_\_\_\_\_

Numéro de série \_\_\_\_\_

Date d'achat \_\_\_\_\_

**Brochez votre coupon de caisse à l'endos de ce guide. Il sera nécessaire pour votre garantie.**

### BESOIN D'AIDE?

Avant de téléphoner pour une réparation, voici quelques petites choses que vous pouvez faire afin que nous puissions mieux vous servir...

**Lisez ce guide:** Il contient des instructions qui vous aideront à utiliser et entretenir correctement votre four à micro-ondes.

**Si vous avez reçu un four à micro-ondes endommagé:** Contactez immédiatement le détaillant (ou le fabricant) qui vous a vendu le four.

**Économisez temps et argent:** Consultez la section « Dépannage » avant de téléphoner. Cette section vous aidera à résoudre les problèmes courants éventuels. Si vous avez besoin de notre aide, vous pouvez être assuré que nous serons au bout du fil.

**Tél.: 1-800-26-Danby® (1-800-263-2629)**

---

# CONSIGNES DE SÉCURITÉ IMPORTANTES

---

*LISEZ TOUTES LES CONSIGNES DE SÉCURITÉ AVANT L'UTILISATION*

## PRÉCAUTIONS À PRENDRE, AFIN D'ÉVITER UNE EXPOSITION EXCESSIVE À L'ÉNERGIE MICRO-ONDE

Afin d'assurer votre sécurité, les consignes de ce guide doivent être suivies afin de réduire les risques d'incendie ou d'explosion, de dommages à la propriété, de blessure ou de décès.

**Ne faites pas fonctionner** ce four la porte ouverte : un tel fonctionnement peut entraîner une exposition dangereuse à l'énergie micro-onde. Il est important de ne pas contourner ou altérer le verrouillage de sécurité.

**Ne déposez pas** d'objet entre la face du four et la porte. Ne laissez pas la saleté ou les résidus de produits nettoyants s'accumuler sur les surfaces d'étanchéité.

**Ne faites pas fonctionner** le four s'il est endommagé. Il est très important que la porte du four se ferme bien et que les éléments suivants ne soient pas endommagés :

- 1 porte (courbée);
- 2 charnières et loquets (brisés ou lâches);
- 3 surface d'étanchéité et porte étanche.

Le four doit être réglé ou réparé par un technicien qualifié.

## DÉCLARATION QUANT AUX INTERFÉRENCES DE FRÉQUENCE RADIO DE LA COMMISSION FÉDÉRALE DES COMMUNICATIONS (É.-U. SEULEMENT)

Cet équipement génère et utilise des fréquences sur bande ISM. S'il n'est pas installé et utilisé correctement, c'est-à-dire selon les directives du fabricant, ces fréquences peuvent entraîner des interférences dans les réceptions radiophoniques et télévisuelles. Cet équipement a été mis à l'essai et déclaré conforme aux limitations de l'équipement ISM énoncées à l'article 18 de la réglementation de la Commission, dont le but est d'offrir une protection raisonnable contre de telles interférences dans les installations résidentielles.

Il n'existe cependant aucune garantie que des interférences ne surviendront pas dans des installations particulières. Si cet équipement entraîne des interférences dans les réceptions radiophonique et télévisuelle, ce qui peut être déterminé en allumant et en éteignant l'équipement, l'utilisateur devrait tenter de corriger l'interférence en posant un ou plusieurs des gestes suivants :

- réorienter l'antenne réceptrice de la radio ou de la télévision;
- déplacer le four à micro-ondes par rapport au récepteur;
- éloigner le four à micro-ondes du récepteur;
- brancher le four à micro-ondes dans une prise différente afin qu'il ne se trouve pas sur le même circuit que le récepteur.

Le fabricant n'est pas responsable des interférences radiophoniques ou télévisuelles causées par une **MODIFICATION NON AUTORISÉE** à ce four à micro-ondes. L'utilisateur est responsable de la correction de telles interférences.

CONSERVEZ CES INSTRUCTIONS

---

# CONSIGNES DE SÉCURITÉ IMPORTANTES (suite)

---

## AVERTISSEMENT

Afin de réduire le risque d'incendie, brûlure, choc électrique, blessure ou exposition excessive à l'énergie micro-onde pendant l'utilisation de votre appareil, prenez des précautions de base, incluant celles énoncées dans les sections qui suivent.

---

## CONSIGNES DE SÉCURITÉ

- Lisez et respectez les «Précautions à prendre afin d'éviter une exposition excessive à l'énergie micro-onde», à la page .
  - Cet appareil doit être mis à la terre. Ne le branchez que sur une prise correctement mise à la terre. Consultez la section « Directives de mise à la terre », à la page .
  - N'utilisez pas cet appareil si son cordon ou sa fiche d'alimentation sont endommagés, s'il ne fonctionne pas correctement ou s'il a été échappé ou endommagé.
  - Ne couvrez ni ne bloquez aucune ouverture de l'appareil.
  - Utilisez cet appareil à ce pour quoi il a été conçu, tel que décrit dans ce guide. N'utilisez pas de vapeurs ou de produits chimiques corrosifs dans cet appareil.
  - Ce four à micro-ondes est spécialement conçu pour chauffer, sécher ou cuire des aliments. Il n'est pas conçu pour une utilisation industrielle ou en laboratoire.
  - Certains produits tels les œufs entiers et les contenants hermétiques tels les pots de verre fermés peuvent exploser et ne devraient pas être chauffés dans ce four.
  - Ne rangez pas cet appareil à l'extérieur.
  - N'utilisez pas ce produit près d'une source d'eau, tel un sous-sol humide, une piscine ou un évier.
  - Éloignez le cordon d'alimentation de toute surface chauffée.
  - N'immergez pas le cordon d'alimentation ou la fiche.
  - Consultez les directives de nettoyage de la surface de la porte aux sections «Entretien et nettoyage » de ce guide.
  - Toute réparation doit être effectuée par un personnel qualifié seulement. Contactez le centre de service autorisé le plus près pour vérification, réparation ou réglage.
  - Comme c'est le cas de tout appareil, une surveillance étroite est nécessaire lors de l'utilisation par des enfants.
- Pour réduire le risque d'incendie dans l'enceinte du four :**
- Ne cuisez pas trop les aliments.
  - Surveillez étroitement l'appareil pendant la cuisson si du papier, plastique ou autre matériau combustible sont placés dans le four.
  - Retirez les attaches et les poignées métalliques des contenants de plastique avant de les placer dans le four.
  - N'utilisez pas le four comme espace de rangement. Ne laissez pas de papier, ustensiles ou aliments dans le four lorsqu'il n'est pas utilisé.
  - N'utilisez pas le four pour sécher les journaux.
  - Si des matériaux devaient s'enflammer dans le four, laissez la porte du four fermée, éteignez le four et débranchez l'alimentation au niveau de la fusible ou du disjoncteur. Le feu risque de se propager si la porte est ouverte.



---

# CONSIGNES DE SÉCURITÉ IMPORTANTES (suite)

---

## REMARQUES PARTICULIÈRES CONCERNANT LA CUISSON MICRO-ONDE

### FORMATION D'ÉTINCELLES

Si vous voyez des étincelles, appuyez sur le bouton **ARRÊT/ANNULER** et corrigez le problème.

« Arcing » est le terme des micro-ondes pour décrire la formation d'étincelles dans le four. La formation d'étincelle est causée par :

- Du métal ou du papier d'aluminium en contact avec la paroi du four;
- Du papier d'aluminium non moulé autour des aliments (les arêtes pointant vers le haut agissent comme des antennes);
- Du métal, tel des attaches métalliques, des broches de volaille ou de la vaisselle cordonnée d'or dans le four à micro-ondes;
- Essuie-tout recyclé contenant de petits morceaux de métal dans le four à micro-ondes.

---

### ALIMENTS

- Le maïs soufflé ne doit être cuit dans votre four à micro-ondes qu'à l'aide d'un accessoire de cuisson spécialement conçu à cet effet, à moins que vous n'utilisiez du maïs soufflé identifié pour l'utilisation au four à micro-ondes.
- Certains produits, tels les œufs entiers (dans leur coquille), les contenants hermétiques et les pots de verre fermés, peuvent exploser et ne devraient pas être chauffés dans ce four à micro-ondes.
- Ne faites pas bouillir des œufs au four à micro-ondes. La pression s'accumulera dans le jaune d'œuf et le fera exploser, entraînant potentiellement des blessures.
- Faire fonctionner le four à micro-ondes sans aliment à l'intérieur durant plus d'une minute peut l'endommager et causer un incendie. La chaleur autour du magnétron augmente et peut réduire la durée de vie du four.
- Les aliments dotés d'une «peau» fermée tels les pommes de terre, saucisses, tomates, pommes, foie de poulet ou autres abattis et les jaunes d'œuf doivent être piqués avant la cuisson afin de permettre que la vapeur s'en échappe.

---

### DONNÉES DE SÉCURITÉ: EAU SURCHAUFFÉE

L'eau et les autres liquides ne font pas toujours de bulles lorsqu'ils atteignent le point d'ébullition au four à micro-ondes. Ils peuvent en fait surchauffer sans faire une seule bulle. Le liquide surchauffé peut faire des bulles lorsqu'il est déplacé ou que quelque chose y est déposé, telle une cuiller ou un sachet de thé. Afin d'éviter cette situation pouvant entraîner des blessures, ne chauffez aucun liquide pendant plus de 2 minutes par tasse. Une fois le liquide chauffé, laissez reposer la tasse pendant 30 secondes dans le four à micro-ondes avant de la déplacer ou d'y déposer quoi que ce soit.

• Évitez de chauffer de la nourriture pour bébé dans des pots de verre, même sans le couvercle. Assurez-vous que la nourriture pour bébé est entièrement cuite. Mélangez les aliments afin de répartir la chaleur également. Prenez soin de ne pas vous ébouillanter lorsque vous chauffez du lait maternel. Le contenant peut sembler plus froid que le lait ne l'est en réalité.

**Vérifiez toujours la température du lait avant de nourrir le bébé.**

• Ébullition spontanée – Dans certains cas, un liquide peut commencer à bouillir pendant qu'on le retire du four à micro-ondes ou immédiatement après. Afin d'éviter les blessures causées par un éclaboussement, nous vous recommandons de laisser le contenant reposer entre 30 et 40 secondes dans le four éteint avant de l'en retirer. Ne faites pas bouillir de liquide dans des contenants à col mince tels les bouteilles de boissons gazeuses, les flacons de vinet surtout les tasses à café étroites. Même si le contenant est ouvert, de la vapeur peut s'accumuler en excès et entraîner une explosion ou un débordement.

• Ne faites pas décongeler de boissons surgelées dans des bouteilles étroites (surtout les boissons gazeuses). Même si le contenant est ouvert, de la pression peut s'accumuler. Le contenant pourrait exploser, entraînant des blessures.

• La vapeur et les aliments chauds peuvent entraîner des brûlures. Soyez prudent lorsque vous ouvrez des contenants d'aliments chauds, y compris les sacs de maïs soufflé, les pochettes de cuisson et les boîtes. Afin d'éviter les blessures, dirigez la vapeur loin des mains et du visage.

• Ne cuisez pas trop les pommes de terre. Elles pourraient se déshydrater et s'enflammer, endommageant votre four.

• Cuisez entièrement la viande et la volaille : la viande doit avoir une température INTERNE d'au moins 71,1°C (160°F) et la volaille 82,2°C (180°F). La cuisson à ces températures prévient habituellement les maladies alimentaires.

# CONSIGNES DE SÉCURITÉ IMPORTANTES (suite)

## REMARQUES PARTICULIÈRES CONCERNANT LA CUISSON MICRO-ONDE

### USTENSILES DE CUISSON POUR MICRO-ONDES

Assurez-vous que tous les ustensiles utilisés dans votre four à micro-ondes conviennent à ce type de cuisson. La plupart des casseroles de verre, plats de cuisson, tasses à mesurer, ramequins, poteries ou porcelaines sans bordure métallique ou enduit métallique peuvent être utilisés. Certains ustensiles de cuisson sont identifiés «sûr pour la cuisson aux micro-ondes».

- Si vous utilisez un thermomètre à viande durant la cuisson, assurez-vous qu'il convient aux fours au micro-ondes.
- N'utilisez pas de produits de papier recyclé. Les essuie-tout, serviettes de table et papier ciré recyclés peuvent contenir des particules métalliques pouvant causer la formation d'étincelles ou de flammes. Les produits de papier contenant du nylon ou des fils de nylon devraient être évités: eux aussi peuvent s'enflammer.
- Tous les emballages de plastique ne conviennent pas aux fours à micro-ondes. Vérifiez l'emballage pour une utilisation adéquate.
- Le fond de certains plateaux de polystyrène, tels les emballages de viande, comporte une fine couche de métal. Lorsque cuit aux micro-ondes, le métal peut brûler le plancher du four ou enflammer un essuie-tout.
- La chaleur des aliments chauffés peut se transférer sur l'ustensile de cuisson. Vous aurez peut-être besoin de poignées pour manipuler l'ustensile.
- Les pochettes de cuisson «à bouillir» et les sacs de plastique hermétiquement fermés devraient être fendus, percés ou aérés, tel qu'indiqué sur leur emballage. Sans quoi, le plastique pourrait exploser pendant la cuisson ou immédiatement après, entraînant des blessures. En outre, les plats de rangement de plastique devraient être partiellement découverts afin d'éviter qu'ils ne forment une fermeture hermétique. Lors de la cuisson de contenants couverts hermétiquement à l'aide de pellicule plastique, soyez prudent en retirant la pellicule et dirigez la vapeur loin des mains et du visage.

- Les essuie-tout, le papier ciré et la pellicule plastique peuvent être utilisés pour couvrir les plats afin de retenir l'humidité et d'empêcher les éclaboussures. Assurez-vous d'aérer la pellicule plastique afin que la vapeur puisse s'échapper.

### Comment déterminer si un plat convient au micro-ondes :

- 1) Placez le plat à vérifier et une tasse à mesurer de verre remplie d'une tasse d'eau dans le four.
  - 2) Placez la tasse à mesurer dans le plat ou à côté.
  - 3) Faites cuire aux micro-ondes pendant une minute à puissance élevée. Si le plat chauffe, il ne devrait pas être utilisé pour la cuisson aux micro-ondes. Si le plat demeure froid et que seule l'eau dans la tasse chauffe, le plat convient aux micro-ondes.
- N'utilisez le papier d'aluminium que de la façon décrite dans ce guide. Les plateaux télé peuvent être cuits au micro-ondes dans des plateaux d'aluminium de moins de 3/4 po. Retirez le couvercle supérieur et remettez le plateau dans la boîte. Lorsque vous utilisez du papier d'aluminium dans le four à micro-ondes, gardez une distance d'au moins 1 pouce entre le papier et les parois du four.
  - Les ustensiles de cuisson de plastique conçus pour les micro-ondes sont très pratiques, mais doivent être utilisés avec prudence. Même les plastiques conçus pour les micro-ondes peuvent ne pas résister à la surcuisson aussi bien que le verre ou la céramique : ils peuvent ramollir ou carboniser lorsque soumis à de courtes périodes de surcuisson. Les aliments et l'ustensile peuvent même s'enflammer sur une longue période de surcuisson.

### Suivez les lignes directrices suivantes:

- 1) Utilisez des ustensiles de plastique conçus pour les micro-ondes seulement et suivez attentivement les recommandations du fabricant.
- 2) **Ne cuisez pas** de contenant vide aux micro-ondes.
- 3) **Ne laissez pas** les enfants utiliser d'ustensile de plastique sans surveillance étroite.

### INSTRUCTIONS DE MISE À LA TERRE

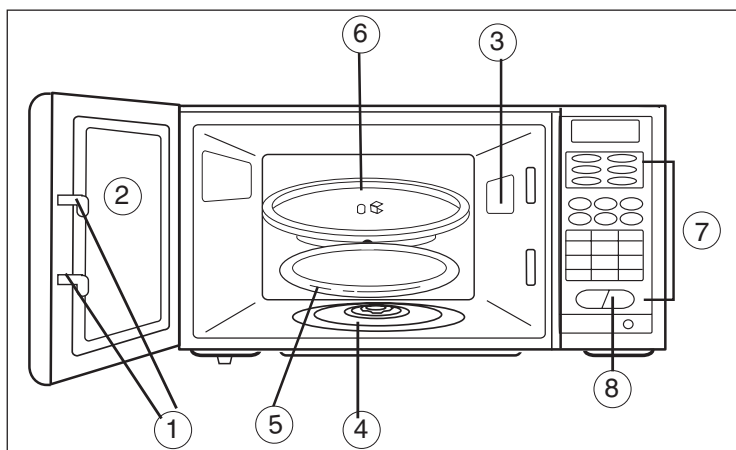
**AVERTISSEMENT: Une utilisation inadéquate de la prise de mise à la terre peut causer des chocs électriques.**

- Cet appareil doit être mis à la terre. Dans le cas d'un court-circuit électrique, la mise à la terre réduit le risque de choc électrique en offrant une sortie au courant électrique.
- Cet appareil est doté d'un cordon d'alimentation avec fiche bipolaire avec terre. La fiche doit être branchée dans une prise correctement installée et mise à la terre. Consultez un électricien qualifié ou un technicien d'entretien si les directives de mise à la terre ne sont pas entièrement comprises, ou si un doute subsiste quant à la mise à la terre appropriée de l'appareil.
- Si la prise est une prise standard à deux fiches, il est de votre responsabilité et devoir de la faire remplacer par une prise à trois fentes avec terre.
- Ne coupez pas et ne retirez pas la troisième lame (mise à la terre) du cordon d'alimentation, peu importe les circonstances. N'utilisez pas d'adaptateur de fiche avec cet appareil.
- N'utilisez pas de rallonge avec cet appareil. Si le cordon d'alimentation est trop court, faites installer une prise près de l'appareil par un électricien qualifié ou un technicien d'entretien. Pour un meilleur fonctionnement, branchez cet appareil dans une prise à lui seul afin d'éviter le scintillement des lumières, le grillage d'un fusible ou un arrêt du disjoncteur.

# OPÉRATION

## CARACTÉRISTIQUES

- 1) **Système de verrouillage de la porte**
- 2) **Fenêtre du four:** La fenêtre vous permet de voir la cuisson tout en conservant l'énergie micro-onde à l'intérieur du four.
- 3) **Plate-forme tournante.**
- 4) **Anneau tournant.**
- 5) **Plateau tournant de verre amovible:** Le plateau tournant et l'anneau doivent être en place lorsque vous utilisez le four. Le plateau tournant peut être retiré pour le nettoyage.
- 6) **Panneau de commande:** (voir ci-dessus)
- 7) **Affichage Electronique.**

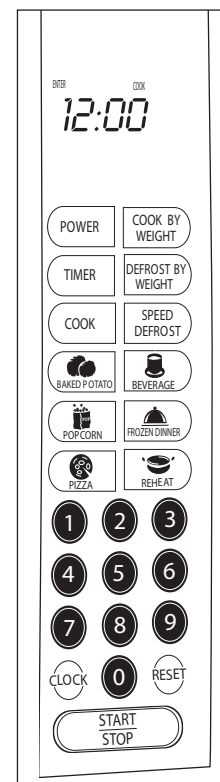


## COMMANDES

- **AFFICHAGE:** Lorsqu'il est réglé, l'affichage montre l'horloge/minuterie, la fonction de cuisson (COOK, DEFROST, etc.) et des indications écrites étape par étape (qui vous disent sur quelle touche appuyer) pour faciliter les réglages du four.
- **POMME DE TERRE AU FOUR:** Programme automatique conçu pour faire les meilleures pommes de terre aux micro-ondes. Pour des petites pommes de terre (de 4 à 6 oz) appuyez une seule fois sur la touche, appuyez sur AMOUNT (quantité de 1 à 4) puis START/STOP. Pour de grosses pommes de terre (de 8 à 10 oz) appuyez deux fois sur la touche, appuyez sur AMOUNT, puis START/STOP.
- **MAIS SOUFFLÉ:** Commande automatique en une seule étape pour un sac de 1/2 oz à 3 oz de maïs soufflé pour micro-ondes. Appuyez sur la touche POPCORN, puis START/STOP.
- **PIZZA:** Programme automatique conçu pour la pizza. Appuyez une fois sur la touche puis appuyez sur START/STOP pour réchauffer une tranche : appuyez deux fois sur la touche, puis START/STOP pour les pizzas congelées entières pour micro-ondes.
- **BOISSON:** Commande automatique pour les tasses ou les chopes de boissons chaudes (café, thé). Pour les petites tasses (de 5 à 7 oz) appuyez une fois sur la touche, puis appuyez sur AMOUNT (quantité de 1 à 4), puis START/STOP. Pour les plus grosses chopes (de 8 à 11 oz) appuyez deux fois sur la touche, puis appuyez sur AMOUNT, puis START/STOP.
- **RECHAUFFAGE:** Programme automatiquement le four pour qu'il réchauffe uniformément une assiette de nourriture. Appuyez sur la touche REHEAT, puis START/STOP.
- **METS CONGELÉ:** Programme automatique conçu pour reconstituer au mieux une variété de mets et de repas congelés. Pour un mets d'une portion (de 7

- à 9 oz.), appuyez une fois sur la touche, appuyez sur AMOUNT puis START/STOP. Pour un repas congelé (de 10 à 12 oz) appuyez deux fois sur la touche, puis START/STOP.
- **DE CHIFFRES:** Appuyez sur ces touches lorsque vous réglez la cuisson, le dégel rapide, la minuterie et l'horloge.
- **INTENSITÉ:** Le four cuit automatiquement à pleine intensité. Pour un réglage plus fiable, réglez la durée de cuisson, appuyez sur POWER et entrez un chiffre (de 1 à 9) qui abaisse l'intensité.
- **MINUTERIE:** Minuterie de cuisine indépendante permettant de minuter n'importe quelle durée, même quand le four est en marche. Appuyez sur TIMER, entrez la durée voulue puis appuyez sur START/STOP. Pour annuler, appuyez sur RESET.
- **CUISSON:** Faites cuire à un niveau d'intensité pour une durée déterminée, puis passez automatiquement à un autre niveau d'intensité pour le reste de la durée de cuisson.
- **CUISSON PAR POIDS:** Appuyez sur la touche COOK, entrez le poids exact de la viande, appuyez sur START/STOP. Après une cuisson partielle, le four s'arrête et la durée reste affichée. Retournez alors la pièce de viande. Appuyez de nouveau sur START/STOP pour terminer la cuisson.
- **DEGEL PAR POIDS:** Dégel automatique des grosses pièces de viande. L'intensité est contrôlée pour dégeler sans réchauffement extérieur excessif.
- **DEGEL RAPIDE:** Programme automatiquement des niveaux plus faibles d'intensité pour un dégel uniforme. Appuyez sur SPEED DEFROST, entrez la durée puis appuyez sur START/STOP.
- **HORLOGE:** Appuyez une fois sur la touche, entrez l'heure puis appuyez sur CLOCK pour régler l'horloge.

- **ANNULER:** Appuyez sur la touche pour débarrasser l'affichage de la durée inutilisée après la cuisson ou pour annuler la minuterie.
- **MARCHE/ARRÊT:** Appuyez sur la touche à la dernière étape du réglage du four. Appuyez pour interrompre le four en cours de cuisson (appuyez à nouveau pour poursuivre la cuisson de la durée affichée. N'arrête pas la minuterie.



## RÉGLAGE DE L'HORLOGE

- Lorsque vous branchez le four dans une prise de courant, appuyez une fois sur la touche CLOCK et l'affichage indique "ENTER CLOCK TIME".
- Entrez l'heure exacte en appuyant sur les touches de chiffres. Vous devez entrer au moins 3 chiffres (au moins un pour l'heure et deux pour les minutes). Pour entrer moins de dix minutes, précédez le chiffre des minutes d'un zéro. Par exemple, pour entrer deux heures et cinq minutes, faites 0205. Les deux points clignotent entre les chiffres des heures et ceux des minutes. Si vous préférez ne pas afficher l'heure, réglez l'horloge à 00:00 et le panneau n'affichera que les deux points.

# CONSIGNES DE FONCTIONNEMENT

## COMMANDES (suite)

• Appuyer sur CLOCK pour confirmer l'heure. Les deux points cessent de clignoter et l'horloge se met en marche. Lorsque l'horloge est réglée, le mot CLOCK et l'heure s'affichent de façon continue, tant que le four n'est pas en marche.

### Changement de l'heure à l'horloge:

- Appuyez une fois sur la touche CLOCK et l'affichage indique "ENTER CLOCK TIME".
- Entrez l'heure exacte en appuyant sur les touches de chiffres. Voir la section A à la page précédente pour accomplir placer le temps d'horloge.

### Remarques sur le réglage de l'horloge:

**SI VOUS FAIREZ UNE ERREUR** en réglant l'horloge mettez le four en marche en appuyant deux fois sur la touche CLOCK.

**POUR CONSULTER L'HORLOGE EN COURS DE CUISSON**, appuyez sur la touche CLOCK. L'heure s'affiche pendant trois seconde avant que ne revienne l'affichage du compte à rebours de la cuisson en cours.

**EN CAS DE PANNE DE COURANT:** au retour du courant, le contrôle est en mode de réglage de l'horloge. Suivez les directives du réglage de l'horloge.

### BIPS EN COURS DE RÉGLAGE DU FOUR:

**UN BIP:** Le four accepte la commande. L'information a été entrée dans l'ordre correct.

**DEUX BIPS:** Le four n'accepte pas la commande. Vérifiez et recommencez.

### RÉGLAGE DE LA MINUTERIE:

A) La minuterie fonctionne indépendamment de la cuisson et peut être réglée en tout temps pour diverses tâches dans la cuisine. Vous pouvez utiliser la minuterie même si le four est déjà en train de minuter une fonction de cuisson. Réglez la durée comme suite:

- Appuyez sur la touche TIMER. Les mots ENTER TIMER TIME s'affichent. Si vous réglez la minuterie alors qu'une cuisson est en cours, le compte à rebours de la durée de cuisson est momentanément remplacé à l'affichage de gauche à droite. Entrez un seul chiffre (5 pour cinq secondes) ou jusqu'à quatre chiffres (2405 pour vingt-quatre minutes et cinq secondes). Les mots ENTER TIMER restent affichés.
- Appuyez sur la touche START/STOP. Le mot TIMER clignote et la minuterie commence son compte à rebours. Si vous utilisez la minuterie alors qu'une cuisson est en cours, le mot TIMER clignote et le compte à rebours de la minuterie s'affiche durant trois secondes, après quoi le compte à rebours de la cuisson en cours s'affiche à nouveau. Le mot TIMER est affiché avec un autre mot indiquant le mode de cuisson en cours.

### Remarques sur le réglage de la minuterie.

• **POUR ARRÊTER LA MINUTERIE OU LA RÉGLER À NOUVEAU** alors qu'aucune cuisson n'est en cours, appuyez sur la touche RESET.

• **POUR RÉGLER LA MINUTERIE ALORS QU'UNE CUISSON EST EN COURS**, assurez-vous de régler la minuterie correctement. Une fois la minuterie réglée pendant une cuisson, le réglage ne peut pas être changé sans annuler la fonction de cuisson en même temps. La touche RESET ne permet pas de changer le réglage de la minuterie alors qu'une cuisson est en cours.

• À la fin du compte à rebours de la minuterie, un long bip se fait entendre et la minuterie disparaît. Si aucune cuisson n'est en cours, le mot CLOCK et l'horloge (si elle a été réglée) reviennent s'afficher. Si une cuisson est en cours, un long bip se fait entendre et le mot TIMER s'éteint alors que le compte à rebours de la cuisson en cours continue de s'afficher.

### RÉGLAGE DE LA DURÉE DE CUISSON ET DU NIVEAU D'INTENSITÉ

**RAPIDE ET FACILE:** Pour une cuisson à 100% de l'intensité, réglez simplement la durée de cuisson à l'aide des touches de chiffres (par exemple, pour trois minutes, entrez 300) et appuyez sur START/STOP. L'intensité 100% est réglée automatiquement. Pour la cuisson en une seule étape, il n'est pas nécessaire d'appuyer sur la touche POWER suivi d'un seul chiffre indiquant le niveau d'intensité désirée. Appuyez sur la touche START/STOP. Puisque le four présume automatiquement l'intensité 100%, il faut modifier le niveau d'intensité (si désiré) après avoir réglé la durée.

**CUISSON EN DEUX ÉTAPES:** À l'intensité présumée de 100%, entrez la durée correcte de la première étape à l'aide des touches de chiffres comme à l'étape "RAPIDE ET FACILE" ci-dessous (la plupart des recettes requérant deux étapes de cuisson commencent à 100% de l'intensité mais il est également possible de modifier le niveau d'intensité de la première étape après avoir réglé la durée de cuisson).

### N'APPUYEZ PAS SUR LA TOUCHE START/STOP RÉGLAGE DE LA SECONDE

**ÉTAPE:** Appuyez sur la touche COOK. Entrez la durée correcte de cuisson de la seconde étape puis l'intensité (plus fiable) désirée (la plupart des recettes requérant deux étapes de cuisson utilisent une intensité plus fiable à la seconde étape). Appuyez sur la touche START/STOP. La première étape de cuisson débute. Le mot MEM (mémoire) s'affiche au cours de la première étape de cuisson, ce qui indique que le four garde en mémoire qu'une seconde étape a été programmée. A la fin de la première étape, signale peuvent se faire entendre, indiquant le début de la seconde étape.

Niveau	% Puissance
10	100
9	90
8	80
7	70
6	60
5	50
4	40
3	30
2	20
1	10

## CONSIGNES DE FONCTIONNEMENT (suite)

### COMMANDES (suite)

#### RÉGLAGE DU DÉGEL RAPIDE

A) Le dégel rapide régle automatiquement l'intensité du four pour le dégel le plus rapide de mets de tailles petites à moyennes. Le dégel rapide travaille de concert avec la minuterie: il faut donc décider de la durée à régler. Les durées de dégel rapide sont généralement assez courtes pour que vous restiez près du four afin de surveiller le mets qui dégèle. Plusieurs mets requièrent qu'on les retourne, qu'on les dispose différemment ou qu'on les sépare (si plusieurs morceaux sont gelés ensemble). Ces soins attentifs accélèrent le dégel et assurent son uniformité.

**Quand un dégel rapide est-il préférable à un dégel par poids?** Ce choix est déterminé par le genre de nourriture à dégeler et par l'attention qu'il faut accorder à cette étape. Le programme de dégel automatique par poids est conçu spécifiquement pour les gros rôtis denses qui doivent dégeler lentement pour un résultat uniforme. Le dégel par poids ne requiert qu'un seul retournement de la pièce de viande.

- Appuyez sur la touche SPEED DEFROST. Les mots ENTER DEF TIME s'affichent.
  - Entrez la durée désirée du dégel rapide à l'aide des touches de chiffres. Le compteur numérique affiche de gauche à droite si bien qu'on peut entrer un seul chiffre (5 pour cinq secondes) ou jusqu'à quatre chiffres (2405 pour vingt-quatre minutes et cinq secondes). Les mots ENTER DEF restent affichés.
  - Appuyez sur la touche START/STOP. Le mot DEF clignote et le compte à rebours de la durée de dégel commence.
- LORSQUE LA DUREE EST ECOULEE, signale se font entendre et le mot END s'affiche. Appuyez sur la touche RESET ou ouvrez la porte pour faire disparaître le mot END avant de commander la fonction suivante.

B) Pour régler un dégel rapide suivi d'une ou de deux étapes de cuisson: après le réglage du dégel rapide, le four peut être programmé pour passer automatiquement à une cuisson à une ou deux étapes. Ce programme est utile pour les casseroles humides congelées et les autres mets qu'il vaut mieux remuer en cours de réchauffement. Après le dégel, faites cuire à 100% d'intensité puis abaissez l'intensité jusqu'à ébullition. Remuez périodiquement pour distribuer uniformément la chaleur.

- Pour le dégel rapide et la cuisson en une étape, suivez les indications de réglage du dégel rapide qui précèdent, mais avant d'appuyer sur la touche START/STOP, appuyez sur la touche COOK, entrez la durée à l'aide des touches de chiffres ainsi que l'intensité si désiré. Appuyez alors sur la touche START/STOP. Le mot MEM s'affiche jusqu'à ce que le four (deux bips) passe à l'étape de cuisson et que le mot COOK s'affiche. Voyez à la page précédente pour les renseignements détaillés sur la cuisson par étapes.
- Pour le dégel et la cuisson en deux étapes, suivez les directives qui précèdent. Avant d'appuyer sur la touche START/STOP, entrez deux programmes de cuisson, en utilisant une intensité différente (généralement plus faible) pour la seconde étape. Le mot MEM s'affiche durant le dégel et la première étape de cuisson. Signale se font entendre aux changements d'étapes.

#### CE SONT NORMAUX:

- L'extérieur du four peut se sentir chaud.
  - La vapeur peut s'échapper du four ou l'humidité en four peut être vue après cuisson.
  - Changez dans l'intensité de la lumière intérieure, et changez dans le bruit de ventilateur quand l'arrangement de puissance faible sont employés.
  - La TV ou les interférences radio (semblables à l'interférence expérimentée dans d'autres petits appareils) peut être notée.
- AUCUNE DE CE QUI PRECEDE N'INDIQUE UNE MICRO-ONDE DE DEFAUT DE FONCTIONNEMENT.

**RÉGLAGE DE LA CUISSON PAR POIDS:** Cette caractéristique sert à rôtir les viandes aux micro-ondes. Ses durées et ses niveaux d'intensité de cuisson préréglés donnent de meilleurs résultats qu'une cuisson à une seule intensité; il est plus facile de faire cuire la viande de cette façon qu'en suivant les directives des livres de recettes car il n'y a aucune durée à calculer en fonction des "minutes par livre". Des que vous entrez le code (qui indique à l'appareil la sorte de viande) et le poids, le four calcule la durée de cuisson. La viande doit avoir été dégelée, à la température du réfrigérateur, pour que les durées de cuisson préréglées de ce code s'appliquent. Les rôtis de 3 à 5 livres donnent les meilleurs résultats aux micro-ondes. Le code de cuisson par poids permet un poids inférieur à 3 livres mais pas supérieur à 5 livres. Selon le code, deux bips indiquent une erreur si un poids trop grand est entré. La cuisson par poids programme le four pour qu'il s'arrête après une cuisson partielle, évitant de trop cuire la viande sur un côté. La pièce de viande est alors tournée et la cuisson peut se poursuivre.

- Appuyez sur la touche COOK BY WEIGHT. Les mots ENTER CODE s'affichent.
- Choisissez le code approprié de 1 à 3. Le cadre de la porte du four et le tableau ci-contre décrivent les types de nourriture correspondant à chaque code. Entrez le code d'un chiffre à l'aide d'une des touches de chiffres.
- Vérifiez le poids de la viande. Le poids doit être en livres et en onces. Si l'étiquette donne le poids en livres seulement, convertissez la fraction de livre en onces à l'aide du tableau à la page précédente.
- Le mot ENTER est affiché et des zéros indiquent ou les livres et les onces s'afficheront. Les lettres LB clignotent jusqu'à ce que vous entriez les livres à l'aide de la touche de chiffre appropriée. Entrez le poids. Lorsque vous avez entré les livres (ou la livre), LB cess de clignoter et OZ clignote. Les nombres d'onces inférieurs à 10 doivent être précédés d'un zéro. Dès que les trois chiffres sont entrés, l'affichage se transforme immédiatement pour indiquer la durée de cuisson.
- Appuyez sur START/STOP pour commencer la cuisson. La lampe interne s'allume et le ventilateur se met en marche. Le mot CODE clignote alors que le compte à rebours progresse. Le four émet bip au quart de la cuisson. Inspectez les bords minces des viandes et protégez-les au besoin.

## CONSIGNES DE FONCTIONNEMENT (suite)

### COMMANDES (suite)

#### RÉGLAGE DE LA CUISSON PAR POIDS (suite)

- Après une cuisson partielle, le four fait entendre deux bips et s'arrête. La lampe interne s'éteint mais le temps écoulé reste affiché. Cet arrêt a pour but d'empêcher les viandes de trop cuire sur un côté. Retournez la viande et appuyez sur la touche START/STOP pour terminer la cuisson.
- A la fin de la durée totale de cuisson, 4 long bips se font entendre et le mot END s'affiche. Appuyez sur la touche RESET ou ouvrez la porte pour faire disparaître le mot END avant de commander la fonction suivante. Laissez reposer le rôti pendant quelques minutes avant de le découper.

#### CONVERSION DES FRACTIONS DE LIVRES EN ONCES:

La plupart des emballages indiquent le poids en livres seulement. À l'aide de ce tableau vers la droite, convertissez les fractions de livres en onces pour la cuisson par poids.

Livre	Onces
moins de .03	0
de .03 à .09	1
de .10 à .15	2
de .16 à .21	3
de .22 à .27	4
de .29 à .34	5
de .35 à .40	6
de .41 à .46	7
de .47 à .53	8
de .54 à .59	9
de .60 à .65	10
de .66 à .71	11
de .72 à .77	12
de .78 à .83	13
de .84 à .90	14
de .91 à .97	15
de .98 à 1.0	16

### RÉGLAGE DU DÉGEL PAR POIDS

Utilisez le dégel par poids pour tout poids jusqu'à 6 livres. Comme c'est un mode de dégel plus délicat que le dégel rapide, il est particulièrement efficace pour les viandes denses au centre mais susceptibles de trop cuire sur les bords. Pour des quantités de viande aussi petites qu'une livre de boeuf haché ou délicates comme des crevettes, le dégel par poids donne des résultats plus uniformes que le dégel rapide. Choisissez le dégel par poids pour les gros rôtis.

- Vérifiez le poids de la viande. Le poids doit être en livres et en onces. Si l'étiquette donne le poids en livres seulement, convertissez la fraction de livre en onces à l'aide du tableau en haut. Déballez la viande avant de la dégeler.
- Appuyez sur la touche DEFROST BY WEIGHT. Le mot ENTER est affiché et des zéros indiquent où les livres et les onces s'afficheront. Les lettres LB clignotent jusqu'à ce que vous entriez les livres à l'aide de la touche de chiffre appropriée. Lorsque vous avez entré les livres (ou la livre), LB cesse de clignoter et OZ clignote. Les nombres d'onces inférieurs à 10 doivent être précédés d'un zéro. Dès que les trois chiffres sont entrés, l'affichage se transforme immédiatement pour indiquer la durée de cuisson.
- Appuyez sur START/STOP pour commencer la cuisson. La lampe interne s'allume; le plateau rotatif et le ventilateur se mettent en marche. Le mot CODE clignote alors que le compte à rebours progresse.
- Après un dégel partiel, le four fait entendre deux bips et s'arrête. La lampe interne s'éteint mais le temps écoulé rest affiché. Cet arrêt a pour but de vous permettre de tourner, de replacer ou de protéger les viandes. Après avoir pris les mesures requises, appuyez sur la touche START/STOP pour terminer la cuisson. A la fin de la durée totale de dégel, 4 long bips se font entendre et le mot END s'affiche. Appuyez sur la touche RESET ou ouvrez la porte pour faire disparaître le mot END avant de commander la fonction suivante.
- Allouez suffisamment de temps au DÉGEL PAR POIDS car il est plus lent et graduel que le DÉGEL RAPIDE. Avec le dégel par poids, les micro-ondes sont émises entre des périodes de repos ou les micro-ondes n'entrent pas dans le four. Ces périodes sans micro-ondes permettent aux températures de se répartir dans les viandes avant que la période suivant d'émission de micro-ondes se déclenche automatiquement.
- Le DÉGEL PAR POIDS règle automatiquement la durée correcte du dégel, mais il faut entrer correctement le poids de la nourriture. Le poids doit être en livres et en onces. Placez la viande sur une grille micro-ondable dans un plat destiné au rotissage aux micro-ondes. Disposez les viandes avec la surface de gras en dessous et la volaille avec la poitrine en dessous.
- Quand le four commute des niveaux de puissance, vous pouvez observer le changement de l'intensité de la lumière et/ou le changement du bruit de ventilateur. C'est normal.

---

## CONSIGNES DE FONCTIONNEMENT (suite)

---

### RÉGLAGE DU VERROUILLAGE DE SÉCURITÉ

Le verrouillage de sécurité empêche l'utilisation du four par de petits enfants sans surveillance. Pour l'actionner, quand le four est éteint, appuyer et maintenir la touche RESET pendant trois secondes. Pour annuler le verrouillage de sécurité, quand le four est éteint, appuyer de nouveau et maintenir la touche RESET pendant trois secondes.

### LA CUISSON "UNE TOUCHE"

Votre four dispose de six programmes "une touche" pour la cuisson aux micro-ondes et mets populaires. Lorsque vous choisissez une cuisson "une touche", consultez le guide visuel de panneau de commande pour y trouver le réglage exact. Lorsque des points (.) (..) paraissent sur des touches "une touche", on peut y faire cuire plus d'une taille d'aliment. Trois touches "une touche" permettent de faire cuire plusieurs quantités (un article ou plus) du même mets. Elles comprennent celles des plats congelés (FROZEN ENTREE), des pommes de terre au four (BAKED POTATO) et des boissons (BEVERAGE). Lorsque vous appuyez sur l'une de ces touches, le mot AMT (quantité) s'affiche pour vous rappeler d'entrer la quantité d'articles que vous mettez à cuire. Les catégories qui ont des points correspondant à deux tailles de mets comprennent celles des plats congelés (FROZEN ENTREE), des pommes de terre au four (BAKED POTATO), de la pizza (PIZZA) et des boissons (BEVERAGE).

Dans chaque catégorie de cuisson "une touche", le réglage pour un mets de petite taille s'effectue en appuyant une fois sur la touche. Un point (.) sous l'image du mets de petite taille indique d'appuyer une seule fois. La grande taille peut être réglée en appuyant deux fois sur la touche de l'image. Deux points (..) sous l'image du mets de grande taille indiquent d'appuyer deux fois.

Lorsque AMT s'affiche durant un réglage "une touche", le réglage d'un plus grand nombre d'articles qu'il n'est permis fait entendre deux bips, indiquant une erreur. Les pages qui suivent indiquent le nombre maximum d'articles permis pour chaque réglage.

### COMMANDE POPCORN (MAÏS SOUFFLÉ):

La touche POPCORN règle automatiquement la durée de cuisson d'un sachet de 3-1/2 oz de maïs soufflé pour micro-ondes. VOUS POUVEZ MODIFIER LE RÉGLAGE DE MAÏS SOUFFLÉ POUR QU'IL "SE RAPPELLE" UNE DUREE DIFFERENT DE CUISSON. Vous pouvez choisir de le faire si le format de votre marque préférée de maïs soufflé est différent des formats de 3-1/2 oz. On trouve maintenant des formats allant du format individuel de 2 onces au grand format "familial". Si vous modifiez le réglage, le four continuera d'utiliser le réglage modifié chaque fois que vous appuyez sur la touche POPCORN, jusqu'à ce que vous fassiez une nouvelle modification.

Pour éviter LA DECOLORATION DE VOTRE PLATEAU ROTATIF, placez les sachets de maïs pour micro-ondes sur une soucoupe ou un assiette micro-ondable. Le côté indentifié "ce côté vers le bas" des sachets de maïs pour micro-ondes contient une doublure qui absorbe le chaleur et devient très chaud. La soucoupe ou l'assiette placées entre le sachet et le plateau rotatif empêche les encres chaudes du sachet de tacher le plateau.

**CONSEILS À PROPOS DU MAÏS SOUFFLÉ AUX MICRO-ONDES:** Écoutez l'éclatement du maïs soufflé et arrêtez le four lorsque les éclatements sont espacés de trois secondes ou plus. Ne tentez pas de faire éclater les grains qui n'ont pas éclaté. À moins que vous n'ayez un récipient spécifiquement conçu pour faire le maïs soufflé aux micro-ondes, n'utilisez que les sachets vendus dans le commerce à cette fin. L'utilisation de plats de verre ou de céramique, ainsi que de sachets de papier, peut endommager le four. Prenez garde en manipulant le sachet de maïs soufflé chaud. Pour éviter de vous brûler à la vapeur, tenez le sachet pas les côtés, pas le dessus. Prévenez surtout les enfants de prendre garde aux sachets de maïs soufflé chaud.

1) Appuyez sur la touche POPCORN. Le mot COOK s'affiche ainsi que la durée 2:10 (2 min. 10 sec.). Cette durée préétablie tient compte de la puissance du four pour donner le meilleur résultat avec des sachets de maïs soufflé ordinaires de 3-1/2 oz.

2) Appuyez sur la touche START/STOP. Le mot COOK clignote alors que l'affichage compte à rebours la durée de la cuisson. La lampe interne s'allume et le ventilateur se met en marche. Le plateau rotatif tourne (pour un seul sachet de maïs soufflé, la rotation du plateau donne les meilleurs résultats).

3) Pour modifier la durée de cuisson, appuyez deux fois sur la touche POPCORN. Le mot ENTER TIME s'affichent. Entrez la durée en minutes et secondes à l'aide des touches de chiffres. Appuyez sur la touche START/STOP. Cette nouvelle durée de cuisson sera conservée en mémoire pour l'utilisation de la touche POPCORN jusqu'à ce qu'elle soit modifiée.

## CONSIGNES DE FONCTIONNEMENT (suite)

### LA CUISSON “UNE TOUCHE” (suite)

#### COMMANDE POTATO (POMME DE TERRE AU FOUR):

La commande automatique pour pommes de terre vous permet de faire cuire facilement diverses pommes de terre. Une durée d'attente incorporée aide à uniformiser la température des pommes de terre au cours de la cuisson. Appuyez une fois sur la touche POTATO pour les pommes de terre moyennes de 4 à 6 oz. Appuyez deux fois pour les grosses pommes de terre de 8 à 10 oz. Après avoir choisi le réglage correspondant à la taille des pommes de terre (une fois pour les petites et les moyennes, deux fois pour les grosses), entrez le nombre de pommes de terre à cuire. Avec cette fonction, on peut faire cuire jusqu'à quatre pommes de terre d'une taille ou de l'autre.

1) Pour les pommes de terre de 4 à 6 oz., appuyez une fois sur la touche POTATO. Les mots ENTER AMT s'affichent. Entrez le nombre de pommes de terre (jusqu'à quatre) à l'aide d'une des touches de chiffres. Voici les durées de cuisson des pommes de terre petites et moyennes: 1 pomme de terre: 3 min. 10 sec., 2 pommes de terre: 7 min. 10 sec., 3 pommes de terre: 11 min., 4 pommes de terre: 14 min.

2) Pour les grosses pommes de terre de 8 à 10 oz., appuyez deux fois sur la touche POTATO. Les mots ENTER AMT s'affichent. Entrez le nombre de pommes de terre (jusqu'à quatre) à l'aide d'une des touches de chiffres. Voici les durées de cuisson des grosses pommes de terre: 1 pomme de terre: 4 min. 10 sec., 2 pommes de terre: 10 min., 3 pommes de terre: 15 min., 4 pommes de terre: 19 min.

3) Le mot CODE s'affiche, ainsi que la durée correcte de cuisson selon le nombre de pommes de terre. Appuyez sur la touche START/STOP. Le mot CODE clignote et le compte à rebours de la durée de cuisson commence.

#### COMMANDE PIZZA:

Grâce à la touche automatique PIZZA, vous pouvez réchauffer une portion restante de pizza ou toute une pizza pour micro-ondes congelée. La quantité dépend du réglage de la touche. Pour une tranche épaisse (ou deux tranches minces totalisant de 4 à 5 onces) de pizza à réchauffer, appuyez une fois sur la touche PIZZA. Pour toute une pizza pour micro-ondes congelée, appuyez deux fois sur la touche PIZZA. Les points près des illustrations de deux sortes de pizzas indiquent s'il faut appuyer une fois (pour la tranche à réchauffer) ou deux (pour toute une pizza pour micro-ondes congelées).

1) **POUR RÉCHAUFFER UNE TRANCHE (OU DEUX TRANCHES MINCES) DE PIZZA CUITE:** Appuyez une fois sur la touche PIZZA. Le mot CODE et la durée 1:10 (1 min. 10 sec.) s'affichent.

2) **POUR CHAUFFER UNE PIZZA POUR MICRO-ONDES CONGELÉE:** Appuyez deux fois sur la touche PIZZA. Le mot CODE et la durée 5:30 (5 min. 30 sec.) s'affichent.

3) Appuyez sur la touche START/STOP. Le mot CODE clignote et le compte à rebours de la durée commence.

#### COMMANDE BEVERAGE (BOISSON):

La touche pour boisson est programmée pour réchauffer automatiquement des boissons (thé / café) en deux formats. Pour les petites portions d'une tasse, appuyez une fois sur la touche BEVERAGE. Un seul point près de l'image d'une tasse de café indique d'appuyer une seule fois sur la touche. Pour les grosses chopes de café, appuyez deux fois sur la touche BEVERAGE. Deux points près de l'illustration de la chope sur la touche BEVERAGE indiquent d'y appuyer deux fois. Après avoir indiqué la taille de la tasse, vous devez entrer le nombre de tasses à réchauffer. Si vous négligez l'étape du nombre, le four présume qu'il s'agit d'une seule tasse.

1) Pour les tasses de 5 à 7 onces, appuyez une fois sur la touche BEVERAGE. Les mots ENTER AMT s'affichent. Entrez le nombre de tasses (jusqu'à quatre) à l'aide d'une des touches de chiffres. Voici les durées de réchauffage des tasses de boissons: 1 tasse: 1 min. 20 sec., 2 tasses: 2 min. 30 sec., 3 tasses: 3 min. 40 sec., 4 tasses: 4 min., 50 sec.

2) Pour les grandes chopes de 10 à 12 oz., appuyez deux fois sur la touche BEVERAGE. Les mots ENTER AMT s'affichent. Entrez le nombre de chopes (jusqu'à quatre) à l'aide d'une des touches de chiffres. Voici les durées de réchauffage des chopes de boissons: 1 chope: 2 min. 20 sec., 2 chopes: 4 min., 3 chopes: 5 min. 40 sec., 4 chopes: 7 min., 20 sec.

3) Le mot CODE s'affiche, ainsi que la durée correcte de cuisson selon le nombre de tasses ou de chopes. Appuyez sur la touche START/STOP. Le mot CODE clignote et le compte à rebours de la durée de réchauffage commence.

#### COMMANDE FROZEN DINNER (METS CONGELÉ):

Cette commande automatique est très utile pour réchauffer facilement les mets ou les repas congelés. Ce réglage peut prendre un peu plus de temps que la durée indiquée sur l'emballage du mets. Ceci est dû au temps d'attente incorporé au programme automatique. La séquence conçue spécialement pour le programme combine les temps de cuisson aux temps d'attente pour permettre de traiter une grande variété de mets congelés avec une seule commande.

1) **POUR UN OU DEUX PETITS METS CONGELÉS (de 7 à 9 oz):** Appuyez une fois sur la touche FROZEN DINNER. Les mots ENTER AMT s'affichent. Pour un seul mets congelé, n'entrez pas de chiffre et appuyez simplement sur la touche START/STOP. Pour deux mets congelés, appuyez sur la touche du chiffre 2. Voici les durées de cuisson des petits mets congelés: 1 met: 5 min. 10 sec., 2 mets: 9 min., 20 sec.

2) **POUR UN REPAS CONGELÉ (de 10 à 12 oz.):** Appuyez deux fois sur la touche FROZEN DINNER. Les mots ENTER AMT s'affichent/ Pour un seul mets congelé, n'entrez pas de chiffre et appuyez simplement sur la touche START/STOP. Pour deux mets congelés, appuyez sur la touche du chiffre 2. Voici les durées de cuisson des petits mets congelés: 1 met: 10 min., 2 mets: 17 min.

3) Le mot CODE s'affiche, ainsi que la durée correcte de cuisson. Appuyez sur la touche START/STOP. Le mot CODE clignote et le compte à rebours de la durée de cuisson commence.



---

## CONSIGNES DE FONCTIONNEMENT (suite)

---

### LA CUISSON “UNE TOUCHE” (suite)

#### COMMANDE REHEAT (RÉCHAUFFAGE):

Cette commande permet de réchauffer une pleine assiettée de restes réfrigérés avec de bons résultats. Son programme automatique a été conçu en fonction d'une vaste gamme de combinaisons de mets différents. Rappelez-vous les conseils suivants lorsque vous préparez des mets à réchauffer: Le façon dont vous disposez les mets affecte l'uniformité de leur réchauffage. Tenez compte de la quantité et de la densité de chaque mets.

**LES METS DENSES COMME LES VIANDES** (cuites en tranches épaisses ou en gros morceaux) ET **LES LÉGUMES COMPACTS** comme les pommes de terre en purée ou gratinées devraient être disposés autour des assiettes et étalés pour être exposés le plus possible à l'énergie des micro-ondes.

**LES GRANDES QUANTITÉS DE NOURRITURE** doivent être étalées pour recevoir plus d'énergie des micro-ondes que les petites quantités. En couvrant de sauce les tranches de viande sèches, on accélère leur réchauffage.

**LES METS LÉGERS ET VAPOREUX** comme le riz, les légumes en petits morceaux, les fruits de mer délicats, les petits morceaux de poulet ou les petites quantités de nourriture absorbent rapidement l'énergie des micro-ondes. Disposez-les au centre de l'assiette ou ils seront un peu protégés de l'énergie des micro-ondes par les mets plus denses disposés autour.

**LA TEMPÉRATURE DES METS** détermine l'uniformité de leur réchauffage ensemble. Un légume en boîte (à la température de la pièce) chauffera plus vite qu'un mets qui vient du réfrigérateur.

**LES PETITS PAINS**, délicats, peuvent être ajoutés quelques secondes avant la fin.

**RECOUVREZ** l'assiette de papier ciré pour retenir la vapeur autour de la plupart des mets. Exception: Ne recouvrez pas les viandes saignantes ni les mets à la surface croustillante pour les réchauffer.

1) Appuyez sur la touche REHEAT. Le mot CODE et la durée 3:40 (3 min. 40 sec.) s'affichent/ Cette commande codée comprend trois niveaux de cuisson automatique permettant de faire cuire plusieurs genres et combinaisons de mets différents.

2) Appuyez sur la touche START/STOP. Le mot CODE clignote et le compte à rebours de la durée de cuisson commence.

3) Lorsque la durée de cuisson est écoulée, le mot END s'affiche. Appuyez sur la touche RESET ou ouvrez la porte pour faire disparaître le mot END et afficher l'horloge (si elle a été réglé).

---

## SOINS ET ENTRETIEN

---

1) Éteignez le four et débranchez la fiche de la prise murale avant le nettoyage.

2) Gardez l'intérieur du four propre. Lorsque des éclaboussures de nourriture ou des liquides renversés adhèrent à l'intérieur du four, essuyez-les avec un linge humide. Vous pouvez utiliser un détergent doux si le four devient très sale. Évitez d'utiliser les nettoyeurs en vaporisateurs ou les nettoyeurs puissants qui peuvent tacher, rayer ou ternir la surface de la porte.

3) Les surfaces extérieures doivent être nettoyées avec un linge humide. Pour éviter d'endommager les mécanismes à l'intérieur du four, évitez de laisser de l'eau s'infiltrer dans les ouvertures des événements.

4) Frottez les deux faces de la vitre avec un linge humide pour essuyer les éclaboussures.

5) Ne mouillez pas le panneau de commande. Nettoyez-le avec un linge doux humide. Lorsque vous nettoyez le panneau de commande, laissez la porte du four ouverte pour éviter de faire accidentellement démarrer le four.

6) Si de la condensation s'accumule à l'intérieur ou autour de la porte, essuyez-la avec un linge doux. Cela peut se produire normalement lorsque le four fonctionne dans un environnement très humide.

7) Il est parfois nécessaire de retirer le plateau de verrepour le laver. Lavez-le à l'eau chaude savonneuse ou au lave-vaisselle.

8) L'anneau de roulement et le plancher de la cavité doivent être nettoyés régulièrement pour éviter les frottements excessifs. Frottez simplement le plancher avec un détergent doux. L'anneau de roulement peut être lavé à l'eau chaude savonneuse ou au lave-vaisselle. Lorsque vous retirez l'anneau de roulement du plancher de la cavité, assurez-vous de le replacer dans la même position.

9) Chassez les mauvaises odeurs du four en combinant une tasse d'eau avec le jus et le pelure d'un citron dans un grand bol que vous faites chauffer au four cinq minutes. Frottez-en tout l'intérieur du four et asséchez-le avec un linge doux.

10) Lorsqu'il devient nécessaire de remplacer l'ampoule du four, consultez un détaillant pour la faire remplacer.

# Danby® Designer

Model • Modèle  
DMW749SS

For service, contact your nearest service depot or call:

**1-800-26-Danby®**  
**(1-800-263-2629)**

to recommend a depot in your area.

Pour le service après-vente, contactez votre centre de service le plus près ou téléphonez au :

**1-800-26-Danby®**  
**(1-800-263-2629)**

afin de connaître l'atelier le plus près de chez vous.

## Microwave Oven

The model number can be found on the serial plate located on the back panel of the unit.

All repair parts available for purchase or special order when you visit your nearest service depot. To request service and/or the location of the service depot nearest you, call the TOLL FREE NUMBER.

When requesting service or ordering parts, always provide the following information:

- **Product Type**
- **Model Number**
- **Part Description**

## Four à micro-ondes

Le numéro du modèle se trouve sur la plaque de série, sur le panneau arrière de l'appareil.

Toutes les pièces de réparation sont disponibles à l'achat ou sur commande spéciale lorsque vous visiterez votre atelier de service. Afin de demander une réparation ou de connaître l'atelier de réparation le plus près de chez vous, appelez au NUMÉRO SANS FRAIS.

Afin de demander une réparation ou de commander des pièces, soyez toujours prêt à fournir les renseignements suivants :

- **Type de produit**
- **Numéro de modèle**
- **Description de la pièce**

Danby Products Limited, Guelph, Ontario Canada N1H 6Z9  
Danby Products Inc., Findlay, Ohio USA 45840