



HOME HERB GROWER

Owner's Manual.....1 - 10

CULTIVATEUR À HERBE À LA MAISON

Manuel du propriétaire.....11 - 20

CULTIVADOR DE HIERBAS PARA EL HOGAR

Manual del propietario.....21 - 30

MODEL • MODÈLE • MODELO

DFG58D1BSS

Welcome

Welcome to the Danby family. We are proud of our quality products and we believe in dependable service. We suggest that you read this owner's manual before plugging in your new appliance as it contains important operation information, safety information, troubleshooting and maintenance tips to ensure the reliability and longevity of your appliance.

Visit www.Danby.com to access self service tools, FAQs and much more. For additional assistance call **1-800-263-2629**.

Note the information below; you will need this information to obtain service under warranty.

You must provide the original purchase receipt to validate your warranty and receive service.

Model Number: _____

Serial Number: _____

Date of Purchase: _____

Need Help?

Before you call for service, here are a few things you can do to help us serve you better.

Read this owner's manual:

It contains instructions to help you use and maintain your appliance properly.

If you receive a damaged appliance:

Immediately contact the retailer or builder that sold you the appliance.

Save time and money:

Check the troubleshooting section at the end of this manual before calling. This section will help you solve common problems that may occur.



1-800-26- Danby
(1-800-263-2629)



Important Safety Information

READ AND FOLLOW ALL SAFETY INSTRUCTIONS

SAFETY REQUIREMENTS

This appliance is not intended for use by persons (including children) whose physical, sensory or mental capabilities may be different or reduced, or who lack experience or knowledge, unless such persons receive supervision or training to operate the appliance by a person responsible for their safety.

Children should be supervised to ensure that they do not play with the appliance.

To avoid risk of electric shock, do not operate this appliance in an area that is likely to accumulate standing water. If this condition develops, disconnect the power supply before stepping into the water.

Do not store or use combustible materials such as gasoline or other flammable vapors or liquids in the vicinity of this or any other appliance.

Do not cover or block the intake and exhaust openings.

This appliance is intended for indoor, residential applications only. Do not use this appliance outdoors. Do not use this appliance for commercial or industrial applications.

DANGER: Risk of child entrapment. Before throwing away an old appliance:

- Remove the door or lid.
- Leave shelves in place so that children may not easily climb inside.

GROUNDING INSTRUCTIONS

This appliance must be grounded. Grounding reduces the risk of electrical shock by providing an escape wire for the electrical current.

This appliance has a cord that has a grounding wire with a 3-prong plug. The power cord must be plugged into an outlet that is properly grounded. If the outlet is a 2-prong wall outlet, it must be replaced with a properly grounded 3-prong wall outlet. The serial rating plate indicates the voltage and frequency the appliance is designed for.

WARNING - Improper use of the grounding plug can result in a risk of electric shock. Consult a qualified electrician or service agent if the grounding instructions are not completely understood, or if doubt exists as to whether the appliance is properly grounded.

Do not connect the appliance to extension cords, adapters or together with another appliance in the same wall outlet.

Do not splice the power cord. Do not under any circumstances cut or remove the third ground prong from the power cord.

If the power supply cord is damaged, it must be replaced by the manufacturer, its service agent or similar qualified person in order to avoid hazard.

For lighting equipment with cords please ensure that the cords:

1. Are not concealed or extended through a wall, floor, ceiling, or other parts of the building structure,
2. Are not located above a suspended ceiling or dropped ceiling,
3. Are not permanently affixed to the building structure,
4. Are routed so that they are not subject to strain and are protected from physical damage,
5. Are visible over their entire length, and
6. Are used within their rated capacity as determined for the maximum temperature of the installed environment specified in the instructions.

SAVE THESE INSTRUCTIONS!

INSTALLATION INSTRUCTIONS

LOCATION

Two people should be used when moving the appliance.

Select a location with a strong level floor that can support the weight of the appliance and the plants grown inside.

Avoid direct sunlight and heat. Direct sunlight may affect the acrylic coating of the appliance or the growing cycle of the plants. Nearby heat sources can overheat the unit and cause high internal temperatures that may harm the plants.

Ensure that the appliance is turned off and unplugged before any changes are made to the light system.

The LED light panel is not water proof. Do not spray water on the surface, sides or back of the light panel.

Do not look directly at the LED light with the naked eye as this can cause retinal damage.

The LED panel cannot be exposed to corrosive materials.

The LED panel is for indoor growing only. This appliance is intended for household use only. It is not designed for outside installation including anywhere that is not temperature controlled.

Do not touch the surface of the light system while the power is connected as it can get hot.

Do not use the LED panel during a thunderstorm to avoid a surge that could damage the light system.

Keep the door closed during operation.

Only use genuine spare parts from Danby or those that have been CSA, UL or CE approved.

Recommended ambient operating temperature is between 13°C - 23°C (55°F - 73°F).

Recommended operating humidity is below 80%.

This appliance is 60.5 cm (23.8 inches) wide by 87.5 cm (34.4 inches) high by 65 cm (25.6 inches) deep.

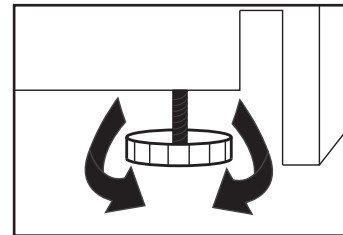
FRONT VENT

This appliance is front breathing. Do not block the front air vent as this will result in high operating temperatures, higher energy usage and possible system overheating and failure.

LEVELING INSTRUCTIONS

There is an adjustable foot on the bottom of the appliance that can be turned up or down to ensure that the appliance is level. To level the appliance:

1. Turn the leveling foot counter-clockwise until the top of the foot is touching the bottom of the chassis.
2. Slowly turn the leveling leg clockwise until the appliance is level.

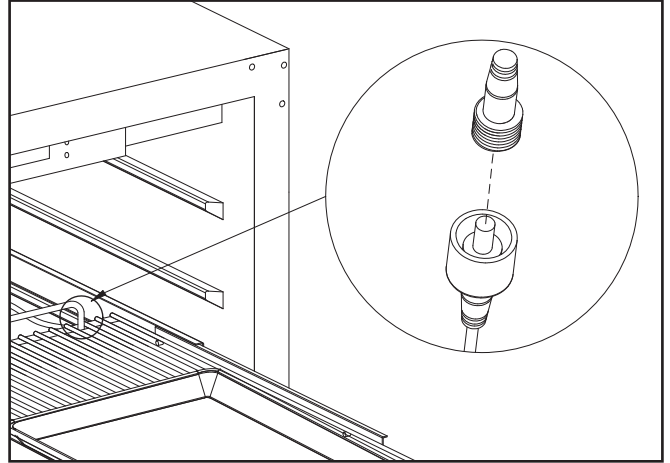


INSTALLATION INSTRUCTIONS

SHELF INSTRUCTIONS

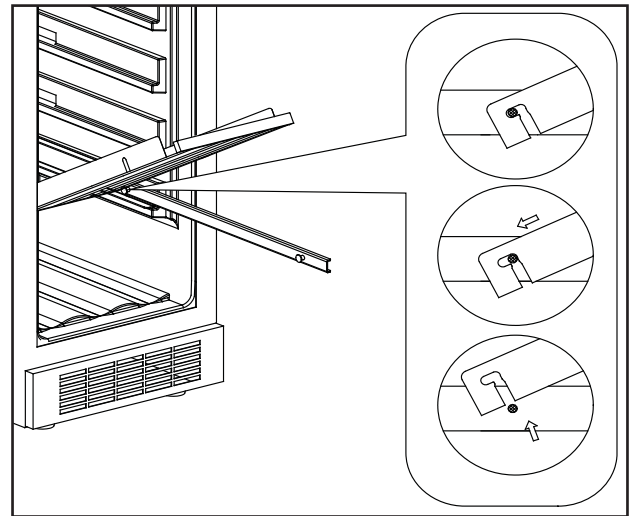
Do not cover the shelves with aluminum foil or other material as this will impede air flow inside the cabinet and can adversely affect internal temperature.

Before removing a shelf, make sure that the light system is unplugged.



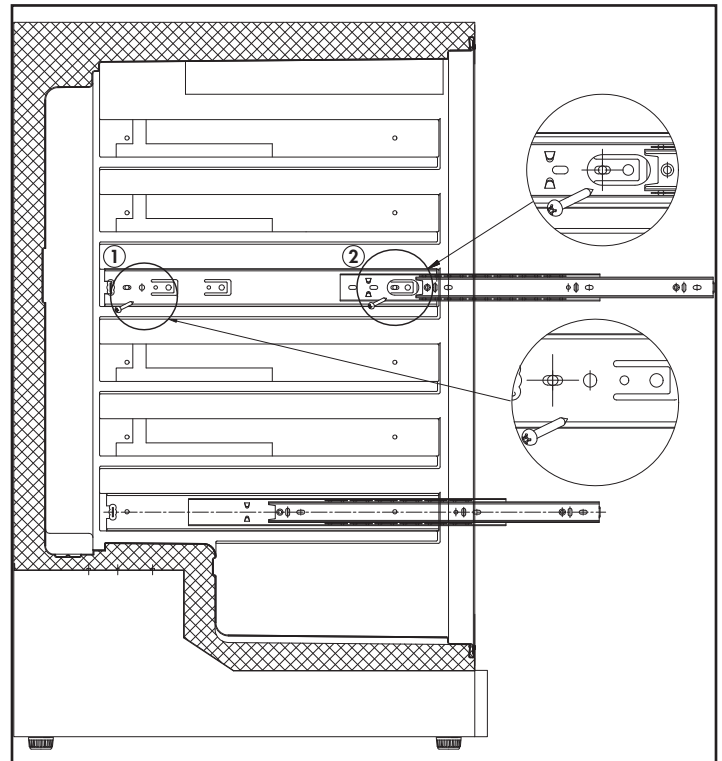
To remove the shelves:

1. Fully extend the shelf.
2. Lift the front of the shelf.
3. Hold the shelf track, push the shelf in and then up to release it from the rear dampers.



To change the position of the shelf glides:

1. Remove the shelf as per the above instructions.
2. Extend the shelf glide fully.
3. Remove the rear screw first, then remove the front screw.
4. Install the shelf glide in a new position by installing the screws in the pre-drilled holes. Do the same for the glide on the other side of the appliance.
5. Reinstall the shelf and plug in the light system.



INSTALLATION INSTRUCTIONS

PREPARING THE ENCLOSURE

Gloves and safety goggles should be worn during installation.

It is not recommended to install the appliance into a corner or directly beside a wall. The door will need to be opened more than 90° to allow full extension of the shelves. If it is necessary to place the unit next to a wall or in a corner, leave at least 2-4 inches (5-10 cm) of space between the wall and the appliance to allow for the door opening.

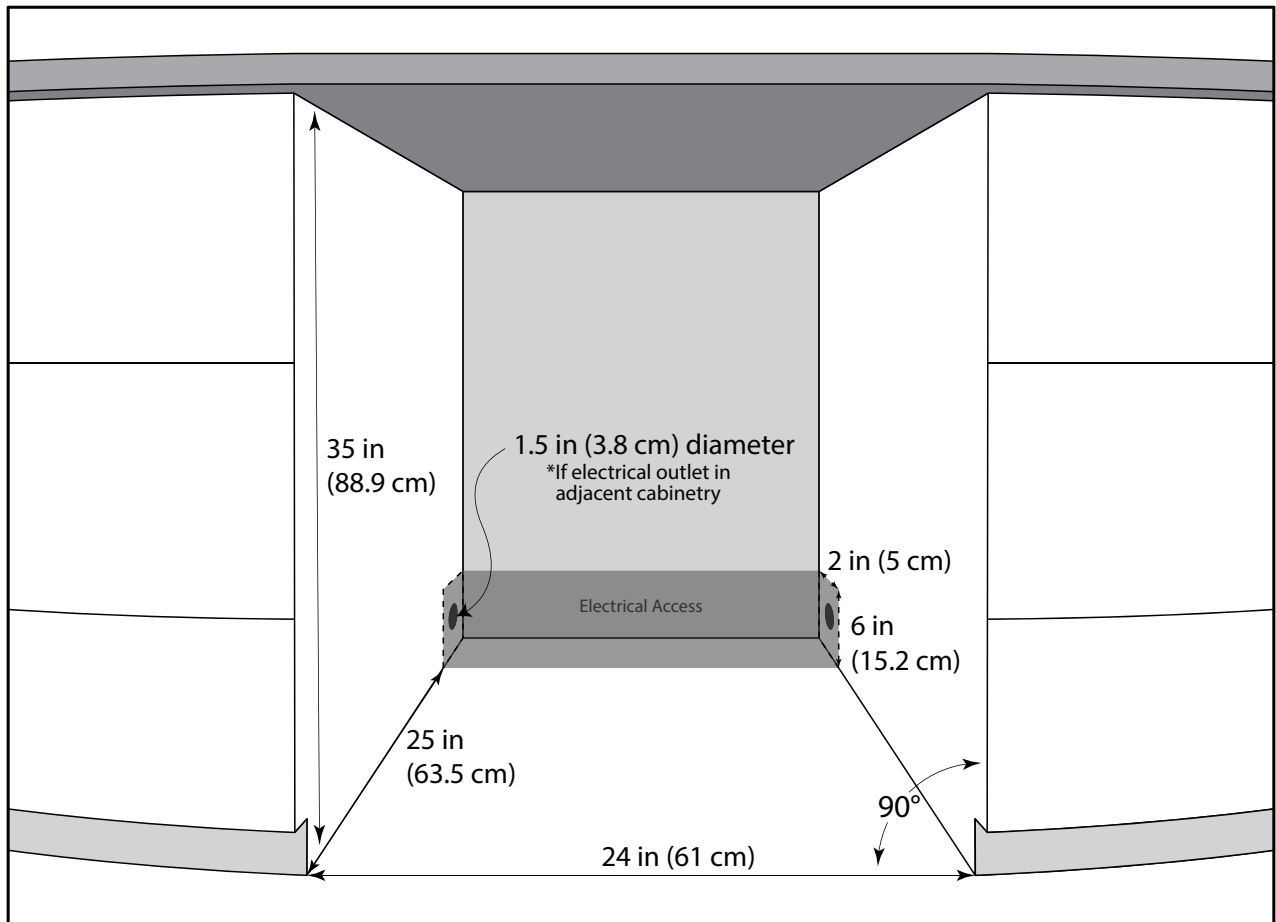
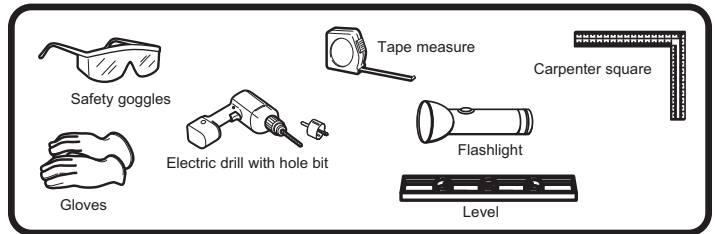
The cabinet opening must be at least 24 inches (61 cm) wide by 35 inches (88.9 cm) high by 25 inches (63.5 cm) deep.

Note: The listed depth requirement is assuming that the electrical outlet is located in the adjacent cabinetry or flush mounted in the rear wall, not surface mounted inside the enclosure.

If the electrical outlet is located inside adjacent cabinetry, cut a 1.5 inch (3.8 cm) diameter hole to admit the power cord. If the cabinet wall is metal, the hole edge must be covered with a bushing or grommet.

REQUIRED TOOLS

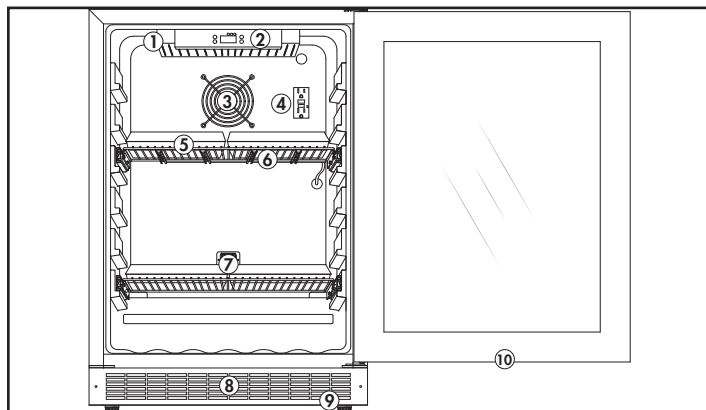
- Safety goggles
- Gloves
- Tape measure
- Carpenter square
- Level
- Flashlight
- Electric drill with hole bit



OPERATING INSTRUCTIONS

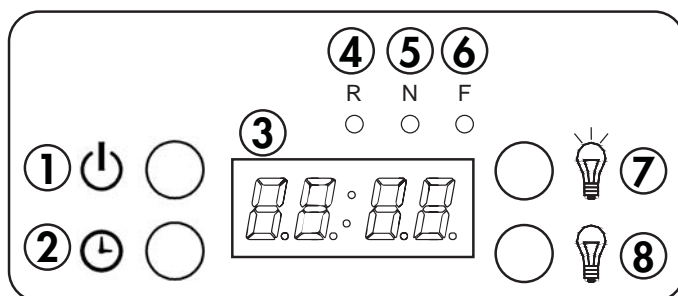
FEATURES

1. LED light box
2. Control panel
3. Air outlet / Fan
4. GFCI outlet
5. Wire shelves
6. LED light strip (on bottom of shelf)
7. Seed trays and humidity domes (x6)
8. Front mounted exhaust
9. Adjustable foot
10. Air inlets (top and bottom of door)



CONTROL PANEL

1. **Power button**
 - Used to turn the appliance on or off.
 - Powering off the appliance clears all light programming.
2. **Clock button**
 - Press once to check the running cycle time.
 - Press and hold for 3 seconds to set the clock.
3. **Display screen**
 - Time display screen.
4. **R indicator:** Light will flash when setting the running cycle time.
5. **N indicator:** Light will flash when setting the light on time.
6. **F indicator:** Light will flash when setting the light off time.
7. **Light on button**
 - Press once to check the light on time.
 - Press and hold for 3 seconds to set the light on time.
 - Use to increase the number when setting a function.
8. **Light off button**
 - Press once to check the light off time.
 - Press and hold for 3 seconds to set the light off time.
 - Use to decrease the number when setting a function.



NOTE ON LIGHT SYSTEM

The light box on the ceiling of the cabinet and the light strips on the under side of the shelf are connected to the same control panel. Setting light on and light off times in the control panel will control both sets of lights.

If you only wish to run the light box on the ceiling of the cabinet, unplug the wire leading to the lights on the shelf.

If you only wish to run the lights on the shelf, unplug the wire leading to the light box.

Always ensure that the light system you wish to run is plugged into the control panel.

R N F indicator: illuminated to signify that light running mode is in operation.

OPERATING INSTRUCTIONS

SETTING THE CLOCK

When the appliance is first plugged in, the display will flash until the clock is set with the current local time.

The first two digits on the display screen will flash. Press the light on or light off buttons to set the correct hour. Press the clock button to confirm the selection.

The second two digits on the display screen will flash. Press the light on or light off buttons to set the correct minute. Press the clock button to confirm the selection.

To change the current time, press and hold the clock button for 3 seconds. When the first two digits on the display start to flash, use the steps above to reset the current time.

The hour range can be set between 0 - 23. The minute range can be set between 0 - 59.

SETTING THE LIGHT TURN ON TIME

Press and hold the light on button for three seconds until the N indicator light is flashing.

The first two digits on the display screen will flash. Press the light on or light off buttons to set the desired hour that the lights should turn on. Press the clock button to confirm the selection.

The second two digits on the display screen will flash. Press the light on or light off buttons to set the desired minute that the lights should turn on. Press the clock button to confirm the selection.

Press the light on button once to display the current light on setting. The display will return to the current time after 3 seconds.

The hour range can be set between 0 - 23. The minute range can be set between 0 - 59.

SETTING THE LIGHT TURN OFF TIME

Press and hold the light off button for three seconds until the F indicator light is flashing.

The first two digits on the display screen will flash. Press the light on or light off buttons to set the desired hour that the lights should turn off. Press the clock button to confirm the selection.

The second two digits on the display screen will flash. Press the light on or light off buttons to set the desired minute that the lights should turn off. Press the clock button to confirm the selection.

Press the light off button once to display the current light off setting. The display will return to the current time after 3 seconds.

The hour range can be set between 0 - 23. The minute range can be set between 0 - 59.

When finished settling the light turn off time, the R N F indicator lights illuminate to signify that light running mode is currently in operation.

SETTING THE RUNNING CYCLE

The running cycle determines how many days the lights will cycle on and off once they are programmed. The default value is 0, meaning the lights will only complete the programming cycle once.

Press and hold the light on and light off buttons at the same time for three seconds until the R indicator light is flashing.

The first two digits on the display screen will flash. Press the light on or light off buttons to set the desired number of days that the cycle should run. Press the clock button to confirm the selection.

The running cycle can be set between 1 - 60 days.

After a maximum of 60 days, the lights will return to default programming and the running cycle must be reset.

When finished setting the running cycle, "End" will show on the display screen.

OPERATING INSTRUCTIONS

GROWING TIPS

- Keep pots or planters in the provided drip tray to avoid water spillage.
- Plants grow best when the ambient room temperature is between 13°C - 23°C (55°F - 73°F).
- Keep the growing environment clean. Clean the drip tray and the inside of the cabinet at least once a month to avoid the growth of mold and mildew.
- If powdery, white mildew forms on plants they can be sprayed with a solution of hydrogen peroxide and water. Use 1 teaspoon of 17% - 35% food-grade hydrogen peroxide to 1 liter of water and only spray the soil as this can cause rot if sprayed on leaves or flowers.
- Do not overwater plants, especially seedlings as they can drown. There is space between the particles of soil that is filled with oxygen. Soil that is constantly wet will not carry enough oxygen and the plants will not be able to breathe.
- As a general rule, soil should be damp but not wet. Check the seed packet for specific information on watering instructions.
- In general, for most herbs and vegetables, the following light cycles are recommended:
 - **Growth Cycle:** 18 hours on / 6 hours off for approximately 20 - 30 days.
 - **Bloom Cycle:** 12 hours on / 12 hours off for approximately 20 - 30 days.
- Most herbs and vegetables have a maturity date between 45 - 90 days. How long the plants take to mature will depend on the type of plants being grown. Check the seed packet for specific information on growth cycles, germination and flowering times.

GROWING TIPS

Seeds must be germinated before they will grow and bloom. For best results in germination, consult the tips below.

- Spread potting soil evenly in a pot or tray.
- Spread seeds evenly over the surface of the soil.
- Add enough water so that the soil is damp but not sodden. Using a spray bottle to add water is recommended to avoid over-watering seeds.
- The use of a humidity dome over the seeds is recommended to trap heat and humidity around the seeds.
- Place the pot or tray in a dark place. The bottom of the Danby Fresh Grower is ideal for this purpose.
- Leave the humidity dome in place for 2 - 3 days or until sprouts are visible.
- Remove the humidity dome and place the pot or tray on the wire shelf in the Danby Fresh Grower.
- Set the desired light cycle based on the information on the seed packet using the instructions on page 6.
- Water your plants as required based on the information on the seed packet.
- Most microgreens reach maturity within 1 - 2 weeks.

Note: Danby Products Ltd. will accept no liability for lost plants or weak harvests based on inappropriate use of the light cycle system.

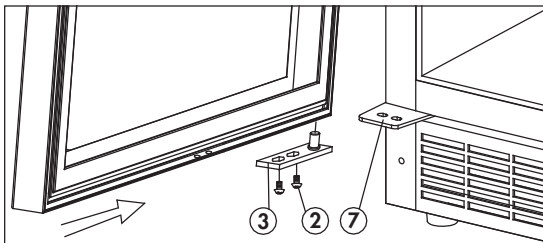
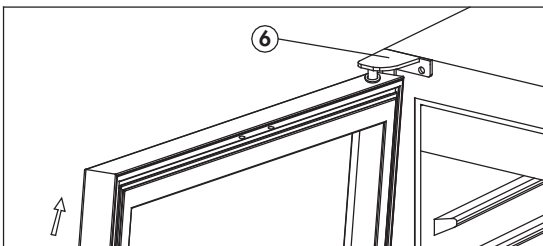
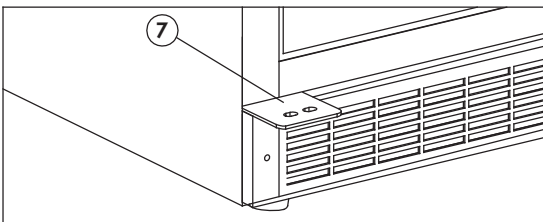
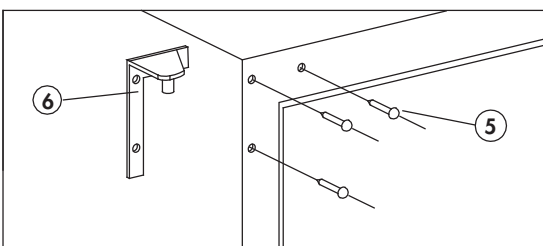
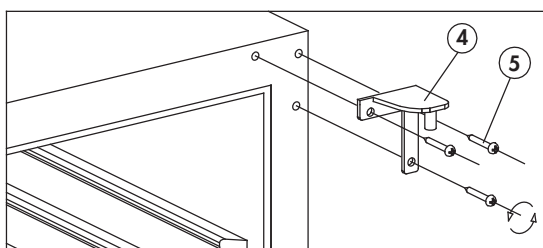
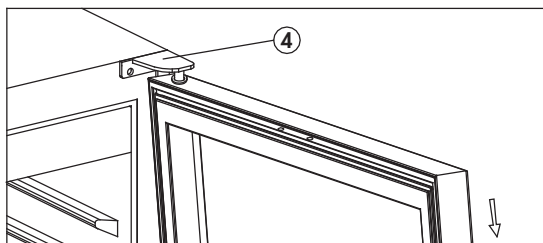
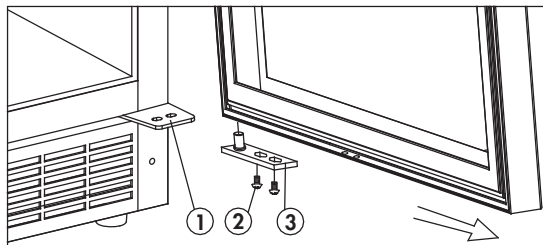
OPERATING INSTRUCTIONS

DOOR REVERSAL INSTRUCTIONS

If the default door opening on the appliance is inconvenient, follow the steps below to change the direction of the door swing.

1. Remove the two screws that secure the hinge axis to the lower right hinge. Slide the door outward from the bottom to remove it from the upper right hinge.
2. Remove the upper right hinge from the cabinet.
3. Remove the screw hole covers from the upper left side of the cabinet and install the upper left hinge. Place the screw hole covers in the screw holes on the upper right side of the cabinet.
4. The lower left hinge is pre-installed on the cabinet. The lower right hinge does not need to be removed.
5. To reinstall the door, it must be flipped 180° from its original position. Install the door by sliding it onto the top hinge pin, then replace the door axis by placing the hinge pin in the bottom of the door and securing it to the lower left hinge.

- | |
|----------------------|
| 1. Lower right hinge |
| 2. Axis screws |
| 3. Hinge axis |
| 4. Upper right hinge |
| 5. Hinge screws |
| 6. Upper left hinge |
| 7. Lower left hinge |



CARE & MAINTENANCE

CLEANING

Ensure the appliance is unplugged before cleaning.

- To clean the inside of the appliance, use a soft cloth and a solution of a tablespoon of baking soda to one quart of water or some mild detergent.
- Clean the outside with a soft, damp cloth and some mild detergent.

Note: Do not use cleaners containing ammonia or alcohol on the appliance. Ammonia or alcohol can damage the appearance of the appliance. Never use any commercial or abrasive cleaners or sharp objects on any part of the appliance.

VACATION

It is not advisable to leave the appliance running during a vacation. Plants require daily watering and monitoring to ensure they do not overheat or dehydrate. Be sure to empty, turn off and unplug the appliance before leaving for vacation.

ERROR CODES

The appliance may emit an alarm and display an error code on the display screen. This is generally due to temperatures inside the cabinet being too high or too low. High temperatures can dehydrate and burn plants. Low temperatures can freeze plants and stunt growth.

Error Code "HI"

An alarm will sound and the error code "HI" will appear on the display when the internal temperature of the appliance is higher than 32°C (90°F) for more than 10 minutes. If the temperature inside the cabinet drops below 30°C (86°F) for more than 5 minutes, the alarm and error will stop and the appliance will resume normal functioning. Press any key on the control panel to silence the alarm.

Error Code "LO"

An alarm will sound and the error code "LO" will appear on the display when the internal temperature of the appliance is lower than 17°C (63°F) for more than 10 minutes. If the temperature inside the cabinet rises above 19°C (66°F) for more than 5 minutes, the alarm and error will stop and the appliance will resume normal functioning. Press any key on the control panel to silence the alarm.

TROUBLESHOOTING

Danby Consumer Care: 1-800-263-2629

Hours of operation:

Monday to Thursday 8:30 am - 6:00 pm Eastern Standard Time

Friday 8:30 am - 4:00 pm Eastern Standard Time

Information in this manual is subject to change without notice.

PROBLEM	POSSIBLE CAUSE
No power	<ul style="list-style-type: none">• A fuse may be blown or the circuit breaker tripped• Plug not fully inserted into the wall outlet
Alarm sounding and "HI" on the display	<ul style="list-style-type: none">• Internal temperature is higher than 32°C (90°F)
Alarm sounding and "LO" on the display	<ul style="list-style-type: none">• Internal temperature is lower than 17°C (63°F)

LIMITED "IN HOME" WARRANTY

This quality product is warranted to be free from manufacturer's defects in material and workmanship, provided that the unit is used under the normal operating conditions intended by the manufacturer.

This warranty is available only to the person to whom the unit was originally sold by Danby Products Limited (Canada) or Danby Products Inc. (U.S.A.) (hereafter "Danby") or by an authorized distributor of Danby, and is non-transferable.

TERMS OF WARRANTY

Plastic parts are warranted for thirty (30) days from the date of purchase, with no extensions provided.

First 18 months During the first **eighteen (18) months**, any functional parts of this product found to be defective, will be repaired or replaced, at warrantor's option, at no charge to the original purchaser.

To obtain service Contact the dealer where the unit was purchased, or contact the nearest authorized Danby service depot, where service must be performed by a qualified service technician. If service is performed on the unit by anyone other than an authorized service depot, all obligations of Danby under this warranty shall be void.

Boundaries of in-home service Danby reserves the right to limit the boundaries of "In Home Service" to the proximity of an authorized service depot. Any appliance requiring service outside the limited boundaries of "In Home Service", will be the consumer's responsibility to transport at their own expense to the original point of purchase or a service depot for repair. If the appliance is installed in a location that is **100 kilometers (62 miles)** or more from the nearest service center, it must be delivered to the nearest authorized Danby Service Depot by the purchaser.

Transportation charges to and from the service location are not protected by this warranty and are the responsibility of the purchaser.

Nothing within this warranty shall imply that Danby will be responsible or liable for any spoilage or damage to food or other contents of this appliance, whether due to any defect of the appliance, or its use, whether proper or improper.

EXCLUSIONS

Save as herein provided, by Danby, there are no other warranties, conditions, representations or guarantees, express or implied, made or intended by Danby or its authorized distributors and all other warranties, conditions, representations or guarantees, including any warranties, conditions, representations or guarantees under any Sale of Goods Act or like legislation or statute is hereby expressly excluded. Save as herein provided, **Danby shall not be responsible for any damages to persons or property, including the unit itself, howsoever caused or any consequential damages arising from the malfunction of the unit and by the purchase of the unit, the purchaser does hereby agree to indemnify and hold harmless Danby from any claim for damages to persons or property caused by the unit.**

GENERAL PROVISIONS

No warranty or insurance herein contained or set out shall apply when damage or repair is caused by any of the following:

- 1) Power failure.
- 2) Damage in transit or when moving the appliance.
- 3) Improper power supply such as low voltage, defective house wiring or inadequate fuses.
- 4) Accident, alteration, abuse or misuse of the appliance such as inadequate air circulation in the room or abnormal operating conditions (ie. extremely high or low room temperature).
- 5) Use for commercial or industrial purposes (ie. If the appliance is not installed in a domestic residence).
- 6) Fire, water damage, theft, war, riot, hostility, acts of God such as hurricanes, floods etc.
- 7) Service calls resulting in customer education.
- 8) Improper Installation (ie. Building-in of a free standing appliance or using an appliance outdoors that is not approved for outdoor application, including but not limited to: garages, patios, porches or anywhere that is not properly insulated or climate controlled).

Proof of purchase date will be required for warranty claims; retain bills of sale. In the event that warranty service is required, present the proof of purchase to our authorized service depot.

**Warranty Service
In Home**

Danby Products Limited
PO Box 1778, Guelph, Ontario, Canada N1H 6Z9
Telephone: (519) 837-0920 FAX: (519) 837-0449

1-800-263-2629
04/17

Danby Products Inc.
PO Box 669, Findlay, Ohio, U.S.A. 45840
Telephone: (419) 425-8627 FAX: (419) 425-8629

Bienvenue

Bienvenue à la famille Danby. Nous sommes fiers de la qualité de nos produits et nous croyons en le service fiable. Nous vous suggérons de lire ce manuel d'utilisation avant de brancher votre nouvel appareil car il contient des informations importantes sur l'utilisation, la sécurité, le dépannage et la maintenance, afin d'assurer la fiabilité et la longévité de votre appareil.

Visitez www.Danby.com pour accéder aux outils d'autoservice, aux FAQ et bien plus encore. Pour obtenir de l'aide supplémentaire, composez **1-800-263-2629**.

Notez les informations ci-dessous; Vous aurez besoin de cette information pour obtenir un service sous garantie.

Vous devez fournir le reçu d'achat original pour valider votre garantie et recevoir le service.

Numéro de modèle: _____

Numéro de serie: _____

Date d'achat: _____

Besoin d'assistance?

Avant d'appeler pour service, voici quelques choses que vous pouvez faire pour nous aider à mieux vous servir.

Lire ce manuel du propriétaire:

Il contient des instructions pour vous aider à utiliser et à maintenir votre appareil correctement.

Si vous recevez un appareil endommagé:

Contactez immédiatement le revendeur ou l'entrepreneur qui vous a vendu l'appareil.

Gagnez du temps et de l'argent:

Avant d'appeler pour service, consultez la section de dépannage à la fin de ce manuel. Cette section vous aidera à résoudre les problèmes courants pouvant survenir.



1-800-26- Danby
(1-800-263-2629)



Consignes de sécurité importantes

LIRE ET SUIVRE TOUTES LES INSTRUCTIONS DE SÉCURITÉ

EXIGENCES DE SÉCURITÉ

Cet appareil n'est pas destiné à être utilisé par des personnes (y compris des enfants) dont les capacités physiques, sensorielles ou mentales peuvent être différentes ou réduites, ou qui n'ont pas d'expérience ou de connaissances, à moins que ces personnes ne soient surveillées ou formées pour faire fonctionner l'appareil par une personne responsable de leur sécurité.

Les enfants devraient être surveillés pour s'assurer qu'ils ne jouent pas avec l'appareil.

Pour éviter tout risque de choc électrique, ne pas utiliser cet appareil dans une zone susceptible d'accumuler de l'eau stagnante. Si cette condition se développe, débranchez l'alimentation avant de pénétrer dans l'eau.

Ne pas stocker ou utiliser des matériaux combustibles tels que de l'essence ou d'autres vapeurs ou liquides inflammables à proximité de ce ou d'un autre appareil.

Ne pas couvrir ou bloquer les ouvertures d'admission et d'échappement.

Cet appareil est destiné uniquement à des applications résidentielles et intérieures. N'utilisez pas cet appareil à l'extérieur. N'utilisez pas cet appareil pour des applications commerciales ou industrielles.

DANGER: Risque de piégeage des enfants. Avant de jeter un ancien appareil:

- Retirez la porte ou le couvercle.
- Laissez les étagères en place afin que les enfants ne puissent pas facilement monter à l'intérieur.

INSTRUCTIONS DE MISE À LA TERRE

Cet appareil doit être mis à la terre. La mise à la terre réduit le risque de choc électrique en fournissant un câble d'échappement pour le courant électrique.

Cet appareil possède un cordon doté d'un fil de mise à la terre avec une fiche à 3 broches. Le cordon d'alimentation doit être branché sur une prise correctement mise à la terre. Si la sortie est une prise murale à 2 broches, elle doit être remplacée par une prise murale à 3 broches correctement mise à la terre. La plaque signalétique en série indique la tension et la fréquence auxquelles l'appareil est conçu.

ATTENTION - L'utilisation incorrecte de la fiche de mise à la terre peut entraîner un risque d'électrocution. Consultez un électricien qualifié ou un agent de service si les instructions de mise à la terre ne sont pas complètement comprises, ou s'il existe un doute quant à savoir si l'appareil est correctement mis à la terre.

Ne branchez pas l'appareil à des rallonges, des adaptateurs ou à un autre appareil dans la même prise murale.

Ne pas épisser le cordon d'alimentation. Ne coupez ou retirez en aucun cas la troisième broche du cordon d'alimentation.

Si le cordon d'alimentation est endommagé, il doit être remplacé par le fabricant, son agent de maintenance ou une personne qualifiée similaire afin d'éviter tout risque.

Pour l'équipement d'éclairage avec des cordons, veuillez-vous assurer que les cordons:

1. Ne sont pas cachés ou étendus à travers un mur, un plancher, un plafond ou d'autres parts de la structure du bâtiment,
2. Ne sont pas situés au-dessus d'un plafond suspendu
3. Ne sont pas fixés en permanence à la structure du bâtiment,
4. Sont acheminés de sorte qu'ils ne sont pas soumis à des contraintes et sont protégés contre les dommages physiques,
5. Sont visibles sur toute leur longueur, et
6. Sont utilisés dans les limites de leur intensité nominale déterminée pour la température maximale de l'environnement installé spécifiée dans les instructions.

GARDEZ CES INSTRUCTIONS!

INSTRUCTIONS D'INSTALLATION

EMPLACEMENT

Deux personnes doivent être utilisées lors du déplacement de l'appareil.

Choisissez un emplacement avec un plancher de niveau solide qui peut supporter le poids de l'appareil et les plantes cultivées à l'intérieur.

Évitez la lumière directe du soleil et la chaleur. La lumière directe du soleil peut affecter le revêtement acrylique de l'appareil ou le cycle de croissance des plantes. Les sources de chaleur à proximité peuvent surchauffer l'unité et provoquer des températures internes élevées pouvant endommager les plantes.

Assurez-vous que l'appareil est éteint et débranché avant toute modification du système d'éclairage.

Le panneau d'éclairage LED n'est pas étanche. Ne vaporisez pas d'eau sur la surface, les côtés ou l'arrière du panneau d'éclairage.

Ne regardez pas directement la lumière LED à l'œil nu car cela pourrait endommager la rétine.

Le panneau LED ne peut pas être exposé à des matériaux corrosifs.

Le panneau LED est destiné uniquement à la culture en intérieur. Cet appareil est destiné à un usage domestique uniquement. Il n'est pas conçu pour être installé à l'extérieur, y compris dans les endroits où la température n'est pas contrôlée.

Ne touchez pas la surface du système d'éclairage lorsque l'alimentation est branchée car elle peut devenir chaude.

N'utilisez pas le panneau LED pendant un orage pour éviter une surtension qui pourrait endommager le système d'éclairage.

Gardez la porte fermée pendant l'opération.

N'utilisez que des pièces de rechange d'origine Danby ou approuvées CSA, UL ou CE.

La température ambiante de fonctionnement recommandée est comprise entre 13°C et 23°C (55°F et 73°F).

L'humidité de fonctionnement recommandée est inférieure à 80%.

Cet appareil mesure 60,5 cm (23,8 po) de largeur sur 87,5 cm (34,4 po) de hauteur sur 65 cm (25,6 po) de profondeur.

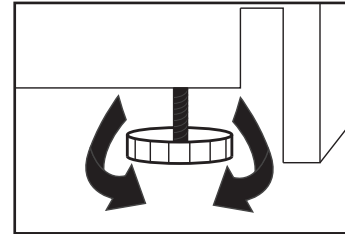
ÉVACUATION AVANT

Cet appareil est une respiration avant. Ne bloquez pas l'évent avant car cela entraînera des températures de fonctionnement élevées, une consommation d'énergie plus élevée et une éventuelle surchauffe et une panne du système.

INSTRUCTIONS DE NIVEAU

Il y a un pied réglable sur le bas de l'appareil qui peut être tourné vers le haut ou vers le bas pour s'assurer que l'appareil est de niveau. Pour mettre l'appareil à niveau :

1. Tournez le pied de mise à niveau dans le sens inverse des aiguilles d'une montre jusqu'à ce que le haut du pied touche le bas du châssis.
2. Tournez lentement la patte de mise à niveau dans le sens des aiguilles d'une montre jusqu'à ce que l'appareil soit de niveau.

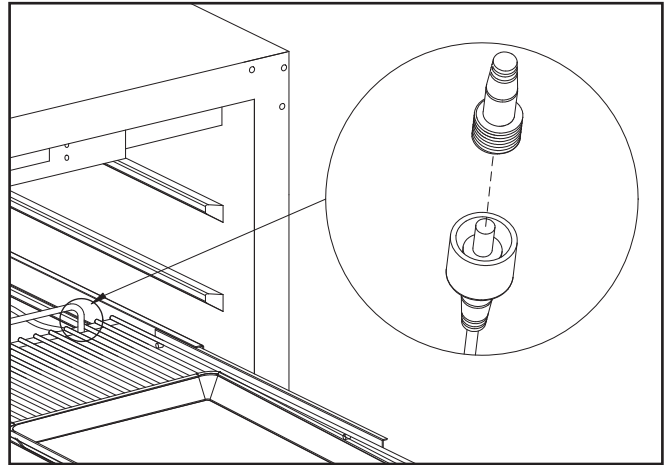


INSTRUCTIONS D'INSTALLATION

INSTRUCTIONS D'ÉTAGÈRE

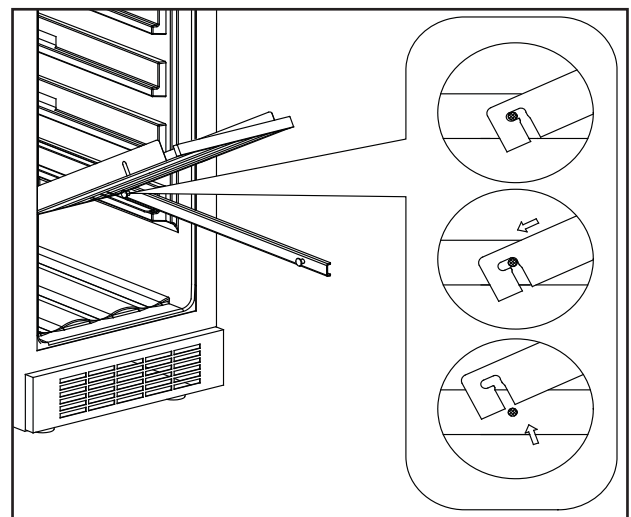
Ne recouvrez pas les étagères d'une feuille d'aluminium ou d'un autre matériau, car cela risquerait de gêner la circulation de l'air à l'intérieur de l'armoire et de nuire à la température interne.

Avant de retirer une étagère, assurez-vous que le système d'éclairage est débranché.



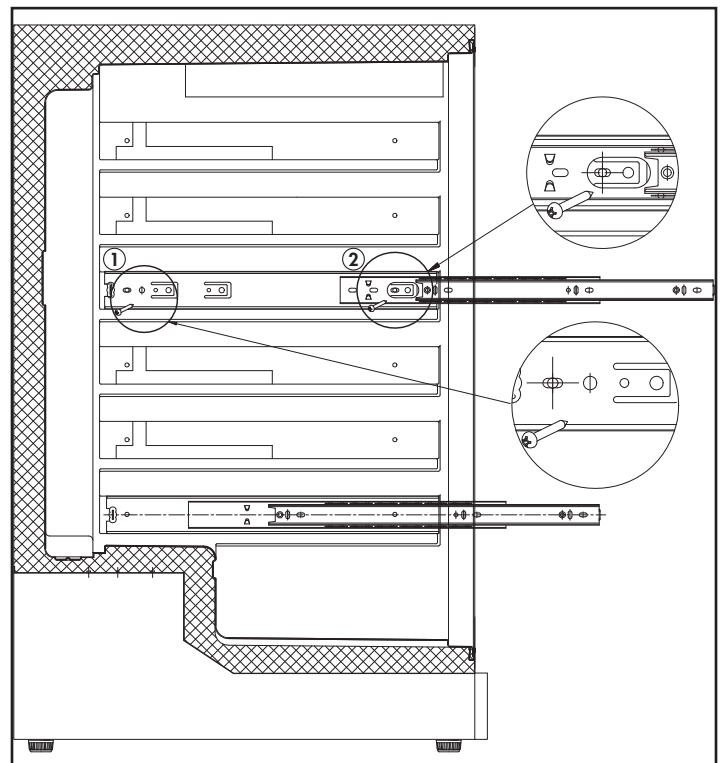
Pour enlever les étagères:

1. Entièrement étendre l'étagère.
2. Soulevez le devant de l'étagère.
3. Tenez la glissière d'étagère, poussez l'étagère vers le haut puis vers le haut pour la dégager des amortisseurs arrière.



Pour changer la position des curseurs d'étagère

1. Retirez l'étagère selon les instructions ci-dessus.
2. Étendez complètement le curseur de l'étagère.
3. Retirez d'abord la vis arrière, puis retirez la vis avant.
4. Installez le curseur de l'étagère dans une nouvelle position en installant les vis dans les trous pré-perçés. Faites de même pour le curseur de l'autre côté de l'appareil.
5. Réinstallez l'étagère et branchez le système d'éclairage.



INSTRUCTIONS D'INSTALLATION

PRÉPARER L'ENCEINTE

En faire les installations décrites dans cette section, des gants, les lunettes de sécurité devraient être portés.

Il n'est pas recommandé d'installer l'appareil dans un coin ou directement à côté d'un mur. La porte devra être ouverte plus de 90° pour permettre une extension complète des étagères. S'il est nécessaire de placer l'unité à côté d'un mur ou dans un coin, laisser au moins 2-4 pouces (5-10 cm) d'espace entre le mur et l'appareil pour permettre l'ouverture de la porte.

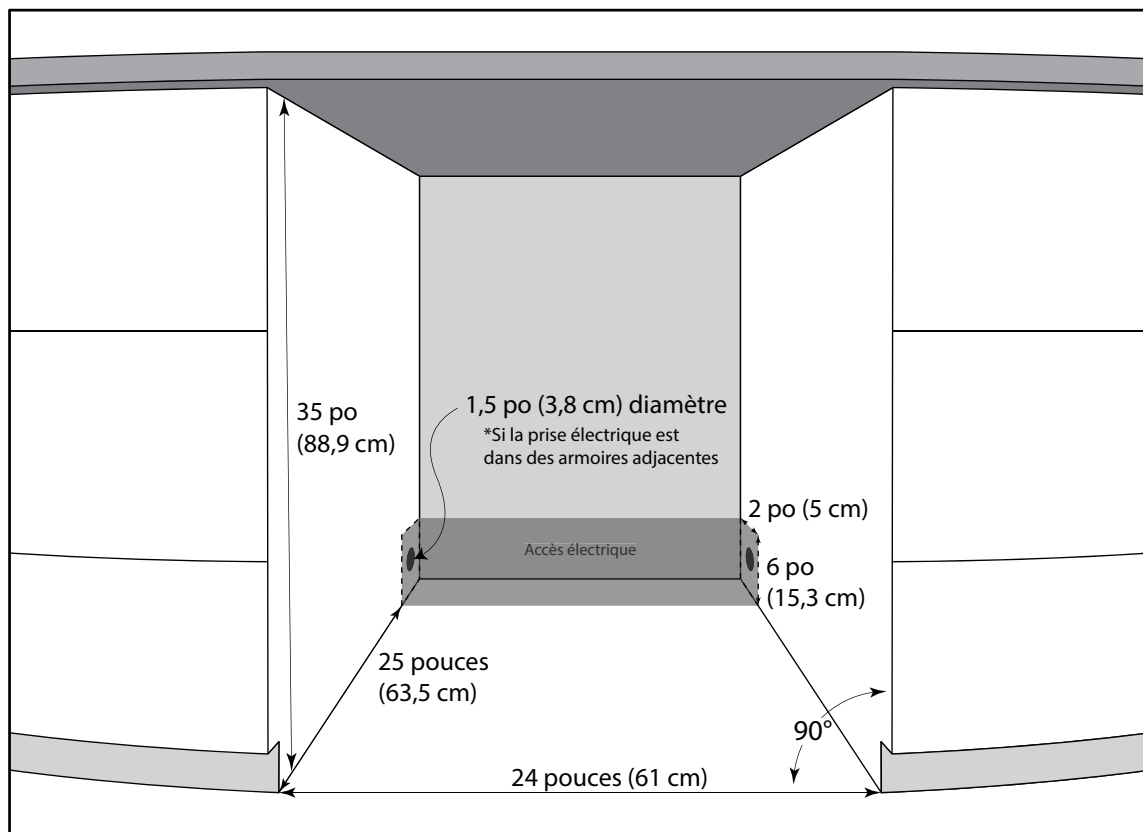
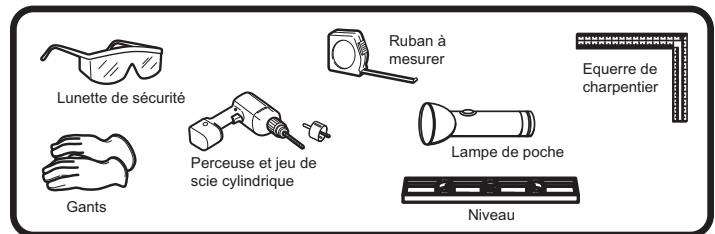
L'ouverture de l'armoire doit avoir au moins 24 pouces (61 cm) de large par 35 pouces (88,9 cm) de hauteur par 25 pouces (63,5 cm) de profondeur.

Remarque: L'exigence de profondeur suppose que la prise électrique est située dans les armoires adjacentes ou encastrées dans la paroi arrière, non montées en surface à l'intérieur de l'enceinte.

Si la prise électrique est située à l'intérieur des armoires adjacentes, couper un trou de 1,5 pouce (3,8 cm) de diamètre pour admirer le cordon d'alimentation. Si le mur de l'armoire est en métal, le bord du trou doit être recouvert d'une douille ou d'un passe-fil.

OUTILS REQUIS

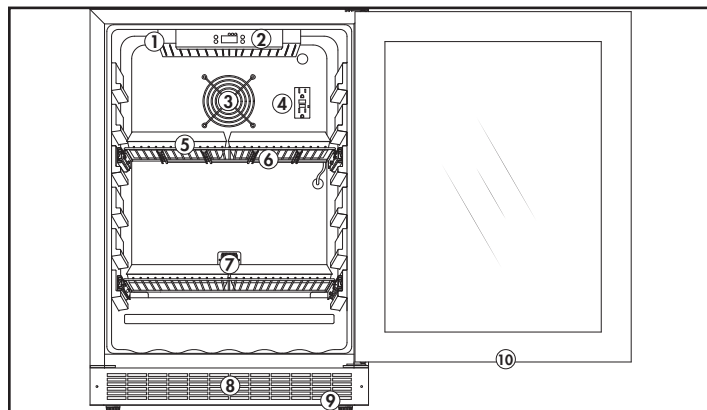
- Lunette de sécurité
- Gants
- Ruban à mesurer
- Equerre de charpentier
- Niveau
- Lampe de poche
- Perceuse et jeu de scie cylindrique



CONSIGNES D'UTILISATION

CARACTÉRISTIQUES

1. Boîte à lumière LED
2. Panneau de contrôle
3. Sortie d'air / Ventilateur
4. Prise DDFT
5. Étagères en fil
6. Bande lumineuse LED (en bas de l'étagère)
7. Plateaux de semences et dômes d'humidité (x6)
8. Échappement monté avant
9. Pied réglable
10. Entrées d'air (haut et bas de la porte)



PANNEAU DE COMMANDE

1. Bouton d'alimentation

- Utilisé pour allumer ou éteindre l'appareil.
- La mise hors tension de l'appareil efface toute la programmation de la lumière.

2. Bouton de l'horloge

- Appuyez une fois pour vérifier le temps de cycle en cours.
- Appuyez et maintenez pendant 3 secondes pour régler l'horloge.

3. Écran d'affichage

- Écran d'affichage de l'heure.

4. Indicateur R: La lumière clignotera lors du réglage du temps de cycle.

5. Indicateur N: La lumière clignotera lors du réglage de l'heure d'allumage de la lumière.

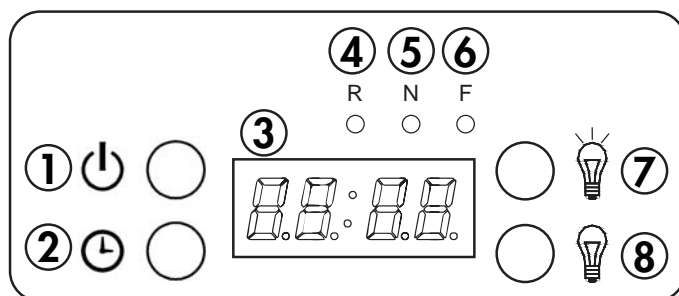
6. Indicateur F: La lumière clignotera lors du réglage de l'heure d'extinction de la lumière.

7. Bouton pour allumer la lumière

- Appuyez une fois pour vérifier l'heure à laquelle la lumière s'allume.
- Appuyez et maintenez pendant 3 secondes pour allumer la lumière à l'heure.
- Utilisez pour augmenter le nombre lors du réglage d'une fonction.

8. Bouton pour éteindre la lumière

- Appuyez une fois pour vérifier l'heure à laquelle la lumière s'éteindra.
- Appuyez et maintenez pendant 3 secondes pour régler l'heure d'extinction.
- Utilisez pour diminuer le nombre lors du réglage d'une fonction.



REMARQUE SUR LE SYSTÈME DE LUMIÈRE

La boîte à lumière sur le plafond de l'armoire et les bandes lumineuses sur le dessous de l'étagère sont connectées au même panneau de commande. L'allumage et l'extinction de l'éclairage dans le panneau de commande contrôlent les deux jeux de lumières.

Si vous souhaitez seulement faire fonctionner la boîte à lumière sur le plafond de l'armoire, débranchez le fil menant aux lumières sur l'étagère.

Si vous souhaitez seulement allumer les lumières sur l'étagère, débranchez le fil menant à la boîte à lumière.

Assurez-vous toujours que le système d'éclairage que vous souhaitez utiliser est branché sur le panneau de commande.

Indicateur R N F: allumé pour indiquer que le mode de fonctionnement léger est activé.

CONSIGNES D'UTILISATION

RÉGLAGE DE L'HORLOGE

Lorsque l'appareil est branché pour la première fois, l'affichage clignote jusqu'à ce que l'horloge soit réglée avec l'heure locale actuelle.

Les deux premiers chiffres sur l'écran d'affichage clignoteront. Appuyez sur les boutons d'allumage ou d'extinction pour régler l'heure correcte. Appuyez sur le bouton de l'horloge pour confirmer la sélection.

Les deux derniers chiffres sur l'écran d'affichage clignoteront. Appuyez sur les boutons d'allumage ou d'extinction pour régler les bonnes minutes. Appuyez sur le bouton de l'horloge pour confirmer la sélection.

Pour changer l'heure actuelle, appuyez sur le bouton de l'horloge et maintenez-le enfoncé pendant 3 secondes. Lorsque les deux premiers chiffres sur l'écran commencent à clignoter, suivez les étapes ci-dessus pour réinitialiser l'heure actuelle.

La plage des heures peut être réglée entre 0 et 23.
La plage des minutes peut être réglée entre 0 et 59.

RÉGLEZ L'HEURE À LAQUELLE LA LUMIÈRE S'ALLUME

Appuyez sur le bouton d'allumage et maintenez-le enfoncé pendant trois secondes jusqu'à ce que le voyant N clignote.

Les deux premiers chiffres sur l'écran d'affichage clignoteront. Appuyez sur les boutons d'allumage ou d'extinction pour régler l'heure à laquelle les lumières doivent s'allumer. Appuyez sur le bouton de l'horloge pour confirmer la sélection.

Les deux derniers chiffres sur l'écran d'affichage clignoteront. Appuyez sur les boutons d'allumage ou d'extinction pour régler la minute désirée que les lumières doivent s'allumer. Appuyez sur le bouton de l'horloge pour confirmer la sélection.

Appuyez une fois sur le bouton d'allumage pour afficher le réglage d'éclairage actuel. L'affichage reviendra à l'heure actuelle après 3 secondes.

La plage des heures peut être réglée entre 0 et 23.
La plage des minutes peut être réglée entre 0 et 59.

RÉGLEZ L'HEURE À LAQUELLE LA LUMIÈRE S'ÉTEINT

Appuyez sur le bouton d'extinction et maintenez-le enfoncé pendant trois secondes jusqu'à ce que le voyant F clignote.

Les deux premiers chiffres sur l'écran d'affichage clignoteront. Appuyez sur les boutons d'allumage ou d'extinction pour régler l'heure à laquelle les lumières doivent s'éteindre. Appuyez sur le bouton de l'horloge pour confirmer la sélection.

Les deux derniers chiffres sur l'écran d'affichage clignoteront. Appuyez sur les boutons d'allumage ou d'extinction pour régler la minute désirée que les lumières doivent s'éteindre. Appuyez sur le bouton de l'horloge pour confirmer la sélection.

Appuyez une fois sur le bouton d'extinction pour afficher le réglage d'extinction actuel. L'affichage reviendra à l'heure actuelle après 3 secondes.

La plage des heures peut être réglée entre 0 et 23.
La plage des minutes peut être réglée entre 0 et 59.

Une fois la durée d'extinction de la lumière réglée, les voyants R N F s'allument pour indiquer que le mode de fonctionnement de la lumière est en cours.

RÉGLAGE DU CYCLE DE FONCTIONNEMENT

Le cycle de fonctionnement détermine combien de jours les lampes s'allumeront et s'éteindront une fois programmées. La valeur par défaut est 0, ce qui signifie que les lumières ne termineront le cycle de programmation qu'une seule fois.

Appuyez et maintenez les boutons d'allumage et d'extinction en même temps pendant trois secondes jusqu'à ce que le témoin R clignote.

Les deux premiers chiffres sur l'écran d'affichage clignoteront. Appuyez sur les boutons d'allumage ou d'extinction pour régler le nombre de jours que le cycle doit durer. Appuyez sur le bouton de l'horloge pour confirmer la sélection.

Le cycle de fonctionnement peut être réglé entre 1 et 60 jours.

Après un maximum de 60 jours, les voyants reviennent à la programmation par défaut et le cycle de fonctionnement doit être réinitialisé.

Une fois le cycle de fonctionnement terminé, "End" apparaît sur l'écran d'affichage.

CONSEILS CROISSANTS

- Gardez les pots ou les planteurs dans le bac d'égouttage fourni pour éviter le déversement d'eau.
- Les plantes poussent mieux lorsque la température ambiante est comprise entre 13°C - 23°C (55°F - 73°F).
- Gardez l'environnement en pleine croissance. Nettoyez l'essai de goutte à goutte et l'intérieur de l'armoire au moins une fois par mois pour éviter la croissance de la moisissure.
- En cas de poudreuse, le mildiou blanc se forme sur les plantes, on peut les pulvériser avec une solution de peroxyde d'hydrogène et d'eau. Utiliser 1 cuillère à café de 17% - 35% de peroxyde d'hydrogène de qualité alimentaire à 1 litre d'eau et pulvériser uniquement le sol, car cela peut provoquer une pourriture si on pulvérise sur des feuilles ou des fleurs.
- Ne pas surélever les plantes, en particulier les semis, car ils peuvent se noyer. Il y a un espace entre les particules de sol remplies d'oxygène. Les sols constamment humides ne contiennent pas assez d'oxygène et les plantes ne pourront pas respirer.
- En règle générale, le sol doit être humide mais pas humide. Vérifiez le paquet de graines pour des informations spécifiques sur les instructions d'arrosage.
- En général, pour la plupart des herbes et des légumes, les cycles lumineux suivants sont recommandés:
 - **Cycle de croissance:** 18 heures sur/6 heures de congé pendant environ 20 à 30 jours.
 - **Cycle de floraison:** 12 heures sur/12 heures de congé pendant environ 20 à 30 jours.
- La plupart des herbes et légumes ont une date d'échéance comprise entre 45 et 90 jours. La durée de vie des plantes dépendra du type de plantes cultivées. Vérifiez le paquet de graines pour des informations spécifiques sur les cycles de croissance, la germination et les temps de floraison.

CONSEILS CROISSANTS

Les graines doivent être germées avant qu'elles ne pousseront et fleuriront. Pour obtenir de meilleurs résultats en germination, consultez les conseils ci-dessous.

- Étendre uniformément le terreau dans un pot ou un plateau.
- Répandre les graines uniformément sur la surface du sol.
- Ajouter assez d'eau pour que le sol soit humide mais pas détrempé. L'utilisation d'un flacon pulvérisateur pour ajouter de l'eau est recommandée pour éviter de trop arroser les graines.
- L'utilisation d'un dôme d'humidité sur les graines est recommandée pour piéger la chaleur et l'humidité autour des graines.
- Placez le pot ou le plateau dans un endroit sombre. Le fond du Danby Fresh Grower est idéal à cet effet.
- Laissez le dôme d'humidité en place pendant 2 à 3 jours ou jusqu'à ce que les germes soient visibles.
- Retirez le dôme d'humidité et placez le pot ou le plateau sur la grille du Danby Fresh Grower.
- Réglez le cycle de lumière désiré en fonction des informations sur le paquet de semences en suivant les instructions de la page 6.
- Arrosez vos plantes selon les besoins en fonction de l'information sur le paquet de graines.
- La plupart des microgreens arrivent à maturité en 1 à 2 semaines.

Remarque: Danby Products Ltd. n'acceptera aucune responsabilité pour les plantes perdues ou les mauvaises récoltes en raison de l'utilisation inappropriée du système de la minuterie et du cycle de la lumière.

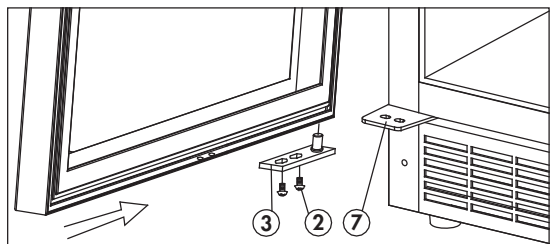
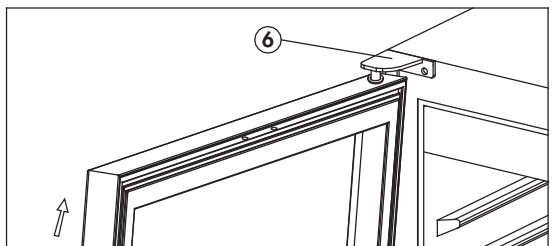
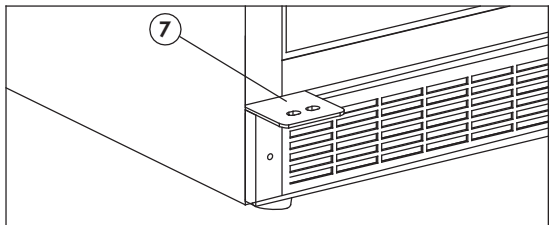
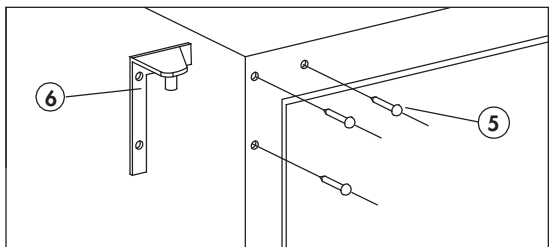
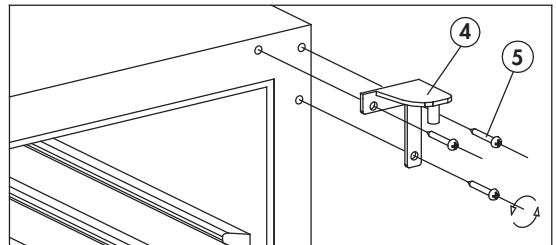
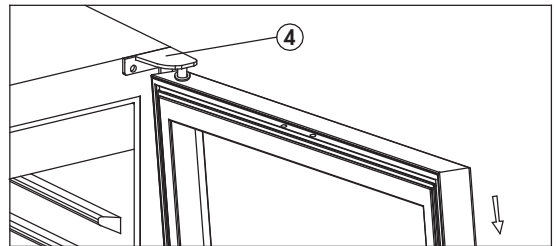
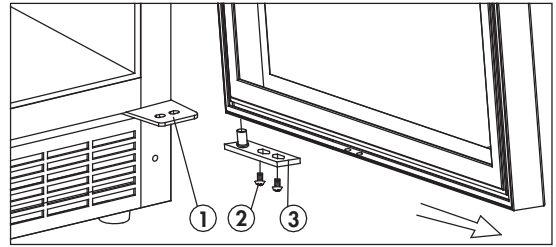
CONSIGNES D'UTILISATION

INSTRUCTIONS DE REVERSION DE PORTE

Si l'ouverture par défaut de la porte de l'appareil ne vous convient pas, suivez les étapes ci-dessous pour changer la direction de l'oscillation de la porte.

1. Retirez les deux vis qui fixent l'axe de charnière à la charnière inférieure droite. Faites glisser la porte vers l'extérieur à partir du bas pour l'enlever de la charnière supérieure droite.
2. Retirez la charnière supérieure droite de l'armoire.
3. Retirez les couvercles des trous de vis du côté supérieur gauche de l'armoire et installez la charnière supérieure gauche. Placez les couvercles des trous de vis dans les trous de vis sur le côté supérieur droit de l'armoire.
4. La charnière inférieure gauche est pré-installée sur le meuble. La charnière inférieure droite n'a pas besoin d'être retirée.
5. Pour réinstaller la porte, elle doit être retournée à 180 ° de sa position d'origine. Installez la porte en la faisant glisser sur l'axe de la charnière supérieure, puis replacez l'axe de la porte en plaçant l'axe de charnière dans le bas de la porte et en la fixant à la charnière inférieure gauche.

1. Charnière inférieure droite
2. Vis axes
3. Axe de charnière
4. Charnière supérieure droite
5. Vis de charnière
6. Charnière supérieure gauche
7. Charnière inférieure gauche



DÉPANNAGE

NETTOYAGE

Assurez-vous que l'appareil est débranché avant de le nettoyer.

- Pour nettoyer l'intérieur de l'appareil, utilisez un chiffon doux et une solution d'une cuillère à soupe de bicarbonate de soude pour un litre d'eau ou un détergent doux.
- Nettoyez l'extérieur avec un chiffon doux et humide et un peu de détergent doux.

Remarque: N'utilisez pas de nettoyeurs contenant de l'ammoniaque ou de l'alcool sur l'appareil. L'ammoniac ou l'alcool peuvent endommager l'apparence de l'appareil. N'utilisez jamais de nettoyeurs commerciaux ou abrasifs ou d'objets pointus sur toute partie de l'appareil.

VACANCES

Il est déconseillé de laisser l'appareil en marche pendant les vacances. Les plantes ont besoin d'arrosage quotidien et de surveillance pour s'assurer qu'elles ne surchauffent pas ou ne se déshydratent pas. Assurez-vous de vider, d'éteindre et de débrancher l'appareil avant de partir en vacances.

CODES D'ERREUR

L'appareil peut émettre une alarme et afficher un code d'erreur sur l'écran d'affichage. Cela est généralement dû à des températures trop élevées ou trop basses dans l'armoire. Des températures élevées peuvent déshydrater et brûler les plantes. Les basses températures peuvent geler les plantes et freiner la croissance.

Code d'erreur "HI"

Une alarme retentira et le code d'erreur "HI" apparaîtra sur l'affichage lorsque la température interne de l'appareil est supérieure à 32°C (90°F) pendant plus de 10 minutes. Si la température à l'intérieur de l'armoire tombe en dessous de 30°C (86°F) pendant plus de 5 minutes, l'alarme et l'erreur s'arrêteront et l'appareil reprendra son fonctionnement normal. Appuyez sur n'importe quelle touche du panneau de commande pour désactiver l'alarme.

Code d'erreur "LO"

Une alarme retentira et le code d'erreur "LO" apparaîtra sur l'affichage lorsque la température interne de l'appareil est inférieure à 17°C (63°F) pendant plus de 10 minutes. Si la température à l'intérieur du boîtier dépasse les 19°C (66°F) pendant plus de 5 minutes, l'alarme et l'erreur s'arrêteront et l'appareil reprendra son fonctionnement normal. Appuyez sur n'importe quelle touche du panneau de commande pour désactiver l'alarme.

SOINS ET ENTRETIEN

Danby soins du consommateur: 1-800-263-2629

Heures d'ouverture:

Lundi à Jeudi 8 h 30 à 18 h, heure normale de l'Est
Vendredi de 8 h 30 à 16 h, heure normale de l'Est

Les informations contenues dans ce manuel sont sujettes à modification sans préavis.

PROBLÈME	CAUSE POSSIBLE
Aucune puissance	<ul style="list-style-type: none">• Un fusible peut être grillé ou le disjoncteur déclenché• La prise n'est pas complètement insérée dans la prise murale
Alarme sonore et "HI" sur l'affichage	<ul style="list-style-type: none">• La température interne est supérieure à 32°C (90°F)
Alarme sonore et "LO" sur l'affichage	<ul style="list-style-type: none">• La température interne est inférieure à 17°C (63°F)

GARANTIE LIMITÉE "À DOMICILE"

Cet appareil de qualité est garanti exempt de tout vice de matière première et de fabrication, s'il est utilisé dans les conditions normales recommandées par le fabricant.

Cette garantie n'est offerte qu'à l'acheteur initial de l'appareil vendu par Danby Products Limited (Canada) ou Danby Products Inc. (E.-U.A.) (ci-après « Danby ») ou par l'un des ses distributeurs agréés et elle ne peut être transférée.

CONDITIONS

Les pièces en plastique sont garanties pendant trente (30) jours seulement à partir de la date de l'achat, sans aucune prolongation prévue.

Premiers 18 mois Pendant les premiers **dix-huit(18) mois**, toutes les pièces fonctionnelles de ce produit qui s'avèrent défectueuses seront réparées ou remplacées, selon le choix du garant, sans frais à l'acheteur initial.

Pour bénéficiaire du service S'adresser au détaillant qui a vendu l'appareil, ou à la station technique agréée de service la plus proche, où les réparations doivent être effectuées par un technicien qualifié. Si les réparations sont effectuées par quiconque autre que la station de service agréée ou à des fins commerciales, toutes les obligations de Danby en vertu de cette garantie seront annulées.

Limites de l'entretien à domicile Danby se réserve le droit de limiter les limites de "Service au domicile" à proximité d'un dépôt de service agréé. Tout appareil nécessitant un service en dehors des limites de "Service à domicile" sera la responsabilité du consommateur de transporter l'appareil à leur propres frais le point d'achat original ou un dépôt de service pour réparation. Si l'appareil est installé à plus de **100 kilomètres (62 milles)** du centre de service le plus proche, il doit être livré à l'atelier de réparation autorisé par Danby le plus proche, car l'entretien doit uniquement être réalisé par un technicien qualifié et certifié pour effectuer un entretien couvert par la garantie de Danby.

Les frais de transport entre votre domicile et le lieu de l'entretien ne sont pas couverts par la présente garantie et doivent être acquittés par l'acheteur.

Aucune partie de la garantie ne prévoit implicitement que le fabricant sera tenu responsable des dommages subis par les aliments ou d'autres types de contenu, qu'ils soient causés par la défectuosité de l'appareil ou par son usage adéquat ou inadéquat.

EXCLUSIONS

En vertu de la présente, il n'existe aucune autre garantie, condition ou représentation, qu'elle soit exprimée ou tacite, de façon manifeste ou intentionnelle, par Danby ou ses distributeurs agréés. De même, sont exclues toutes les autres garanties, conditions ou représentations, y compris les garanties, conditions ou représentations en vertu de toute loi régissant la vente de produits ou de toute autre législation ou règlement semblables. En vertu de la présente, Danby ne peut être tenue responsable en cas de blessures corporelles ou des dégâts matériels, y compris à l'appareil, quelle qu'en soit la cause. Danby ne peut pas être tenue responsable des dommages indirects dus au fonctionnement défectueux de l'appareil. En achetant l'appareil, l'acheteur accepte de mettre à couvert et de dégager Danby de toute responsabilité en cas de réclamation pour toute blessure corporelle ou tout dégât matériel causé par cet appareil.

CONDITIONS GÉNÉRALES

La garantie ou assurance ci-dessus ne s'applique pas si les dégâts ou réparations sont dus aux cas suivants:

- 1) Panne de courant.
- 2) Dommages subis pendant le transport ou le déplacement de l'appareil.
- 3) Alimentation électrique incorrecte (tension faible, câblage défectueux, fusibles incorrects).
- 4) Accident, modification, emploi abusif ou incorrect de l'appareil tel qu'une circulation d'air inadéquate dans la pièce ou des conditions de fonctionnement anormales (température extrêmement élevée ou basse).
- 5) Utilisation dans un but commercial ou industriel (à savoir, si l'appareil n'est pas installé dans un domicile résidentiel).
- 6) Incendie, dommages causés par l'eau, vol, guerre, émeute, hostilités, cas de force majeure (ouragan, inondation, etc.).
- 7) Visites d'un technicien pour expliquer le fonctionnement de l'appareil au propriétaire.
- 8) Installation inappropriée (par exemple, encastrement d'un appareil autoportant, ou utilisation extérieure d'un appareil non conçu à cet effet, y compris, mais sans s'y limiter: les garages, les patios, les porches ou ailleurs qui ne sont pas correctement isolés ou climatisés).

La preuve de la date d'achat sera requise pour les réclamations de garantie; Conserver les factures de vente. Dans le cas où un service de garantie est requis, présentez la preuve d'achat à notre dépôt de service agréé.

Service sous garantie

Service au domicile

Danby Products Limited
PO Box 1778, Guelph, Ontario, Canada N1H 6Z9
Téléphone : (519) 837-0920 Télécopieur: (519) 837-0449

1-800-263-2629
04/17

Danby Products Inc.
PO Box 669, Findlay, Ohio, U.S.A. 45840
Téléphone: (419) 425-8627 Télécopieur: (419) 425-8629

Bienvenido

Bienvenido a la familia Danby. Estamos orgullosos de nuestros productos de calidad y creemos en un servicio confiable. Sugerimos que lea este manual del propietario antes de conectar el nuevo aparato ya que contiene información importante sobre la operación, información de seguridad, solución de problemas y consejos de mantenimiento para garantizar la fiabilidad y longevidad de su electrodoméstico.

Visite **www.Danby.com** para acceder a herramientas de autoservicio, preguntas frecuentes y mucho más. Para asistencia adicional, llame al **1-800-263-2629**.

Tenga en cuenta la información siguiente; Necesitará esta información para obtener un servicio bajo garantía.

Debe proporcionar el recibo de compra original para validar su garantía y recibir servicio.

Número de modelo: _____

Número de serie: _____

Fecha de compra: _____

Necesitas ayuda?

Antes de llamar al servicio, aquí hay algunas cosas que puede hacer para ayudarnos a servirle mejor.

Lea este manual del propietario:

Contiene instrucciones para ayudarlo a usar y mantener su aparato correctamente.

Si recibe un aparato dañado:

Inmediatamente póngase en contacto con el minorista o el constructor que le vendió el aparato.

Ahorre tiempo y dinero:

Consulte la sección de solución de problemas al final de este manual antes de llamar. Esta sección le ayudará a resolver problemas comunes que pueden ocurrir.



1-800-26- Danby
(1-800-263-2629)



Importantes Instrucciones de Seguridad

LEA Y SIGA TODAS LAS INSTRUCCIONES DE SEGURIDAD

REQUERIMIENTOS DE SEGURIDAD

Este aparato no está diseñado para ser utilizado por personas (incluyendo niños) cuyas capacidades físicas, sensoriales o mentales sean diferentes o reducidas, o que carezcan de experiencia o conocimiento, a menos que dichas personas reciban supervisión o entrenamiento para operar el aparato por una persona responsable de su uso. La seguridad.

Los niños deben ser supervisados para asegurarse de que no juegan con el aparato.

Para evitar el riesgo de descarga eléctrica, no utilice este aparato en un área que pueda acumular agua estancada. Si se desarrolla esta condición, desconecte la fuente de alimentación antes de entrar en el agua.

No almacene ni utilice materiales combustibles tales como gasolina u otros vapores o líquidos inflamables cerca de este o de cualquier otro aparato.

No cubra ni bloquee las aberturas de admisión y de escape.

Este aparato está destinado únicamente a aplicaciones interiores y residenciales. No utilice este aparato al aire libre. No utilice este aparato para aplicaciones comerciales o industriales.

PELIGRO: Riesgo de atrapamiento de niños. Antes de tirar un electrodoméstico viejo:

- Retire la puerta o la tapa.
- Deje los estantes en su lugar para que los niños no puedan subir fácilmente dentro.

INSTRUCCIONES DE CONEXION A TIERRA

Este aparato debe estar conectado a tierra. La puesta a tierra reduce el riesgo de descarga eléctrica proporcionando un cable de escape para la corriente eléctrica.

Este aparato tiene un cable que tiene un cable de conexión a tierra con un enchufe de 3 clavijas. El cable de alimentación debe estar enchufado en un tomacorriente que esté debidamente conectado a tierra. Si el tomacorriente es un tomacorriente de dos clavijas, debe ser reemplazado por un tomacorriente de 3 clavijas con conexión a tierra adecuada. La placa de características en serie indica el voltaje y la frecuencia para los que está diseñado el artefacto.

ADVERTENCIA - El uso incorrecto del enchufe de conexión a tierra puede resultar en un riesgo de descarga eléctrica. Consulte a un electricista calificado o agente de servicio si las instrucciones de conexión a tierra no se entienden completamente o si existe duda sobre si el aparato está debidamente conectado a tierra.

No conecte el aparato a cables de extensión, adaptadores o junto con otro aparato en la misma toma de corriente.

No empalme el cable de alimentación. No corte ni extraiga en ningún caso la tercera clavija de tierra del cable de alimentación.

Si el cable de alimentación está dañado, debe ser reemplazado por el fabricante, su agente de servicio o persona calificada similar para evitar riesgos.

Para equipos de iluminación con cables, las instrucciones deben incluir información para guiar la instalación de manera que los cables:

1. No se ocultan ni se extienden a través de una pared, piso, techo u otras partes de la estructura del edificio,
2. No se encuentran encima de un techo o suspendido de un techo caído,
3. No están fijados de forma permanente a la estructura del edificio,
4. Se enrutan para que no estén sujetos a esfuerzos y estén protegidos contra daños físicos,
5. Son visibles en toda su longitud, y
6. Se utilizan dentro de su ampacidad nominal según se determina para la temperatura máxima del entorno instalado especificado en las instrucciones.

¡GUARDE ESTAS INSTRUCCIONES!

INSTRUCCIONES DE INSTALACIÓN

UBICACIÓN

Se deben usar dos personas al mover el artefacto.

Seleccione una ubicación con un piso nivelado fuerte que pueda soportar el peso del electrodoméstico y las plantas cultivadas en el interior.

Evite la luz solar directa y el calor. La luz solar directa puede afectar el recubrimiento acrílico del artefacto o el ciclo de crecimiento de las plantas. Las fuentes de calor cercanas pueden sobrecalentar la unidad y causar altas temperaturas internas que pueden dañar las plantas.

Asegúrese de que el electrodoméstico esté apagado y desenchufado antes de que se realicen cambios en el sistema de iluminación.

El panel de luz LED no es a prueba de agua. No rocíe agua sobre la superficie, los lados o la parte posterior del panel de luz.

No mire directamente a la luz LED a simple vista, ya que esto puede causar daño a la retina.

El panel LED no puede exponerse a materiales corrosivos.

El panel LED es solo para crecimiento en interiores. Este electrodoméstico está diseñado solo para uso doméstico. No está diseñado para instalación en el exterior, incluso en lugares donde no se controla la temperatura.

No toque la superficie del sistema de luces mientras está conectado ya que puede calentarse.

No use el panel LED durante una tormenta eléctrica para evitar una sobrecarga que pueda dañar el sistema de iluminación.

Mantenga la puerta cerrada durante el funcionamiento.

Utilice únicamente piezas de repuesto originales de Danby o aquellas que hayan sido aprobadas por CSA, UL o CE.

La temperatura de funcionamiento ambiente recomendada está entre 13°C - 23°C (55°F - 73°F).

La humedad operativa recomendada está por debajo del 80%.

Este aparato tiene 60.5 cm (23.8 pulgadas) de ancho por 87.5 cm (34.4 pulgadas) de alto por 65 cm (25.6 pulgadas) de profundidad.

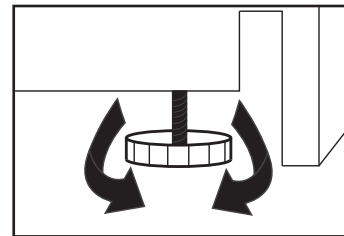
RESPIRADERO FRONTAL

Este aparato es la respiración delantera. No bloquee la salida de aire frontal, ya que esto resultará en altas temperaturas de funcionamiento, mayor consumo de energía y posible sobrecalentamiento y fallo del sistema.

INSTRUCCIONES DE NIVELACIÓN

Hay un pie ajustable en la parte inferior del aparato que se puede subir o bajar para garantizar que el aparato esté nivelado. Para nivelar el dispositivo:

1. Gire el pie de nivelación en sentido antihorario hasta que la parte superior del pie toque la parte inferior del chasis.
2. Gire lentamente la pata de nivelación en el sentido de las agujas del reloj hasta que el electrodoméstico esté nivelado.

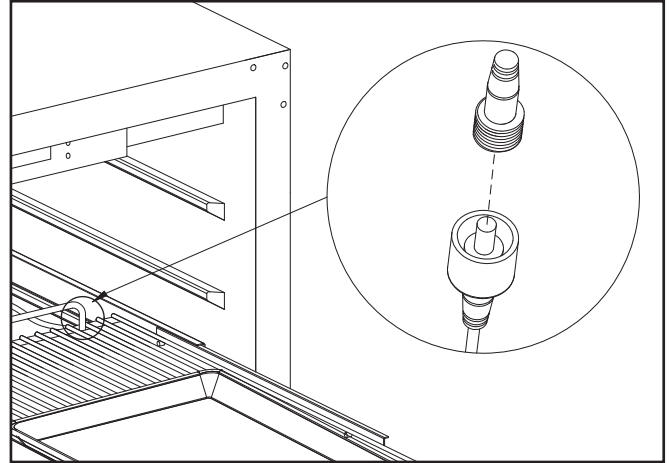


INSTRUCCIONES DE INSTALACIÓN

INSTRUCCIONES DE ESTANTE

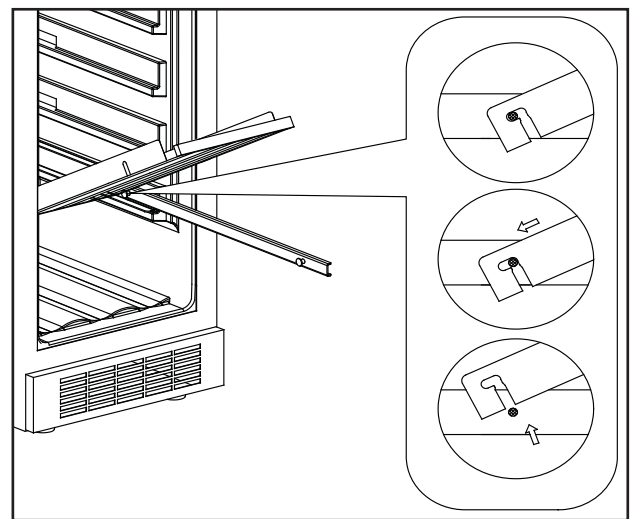
No cubra los estantes con papel de aluminio u otro material ya que esto impedirá el flujo de aire dentro del gabinete y puede afectar adversamente la temperatura interna.

Antes de retirar un estante, asegúrese de que el sistema de iluminación esté desenchufado.



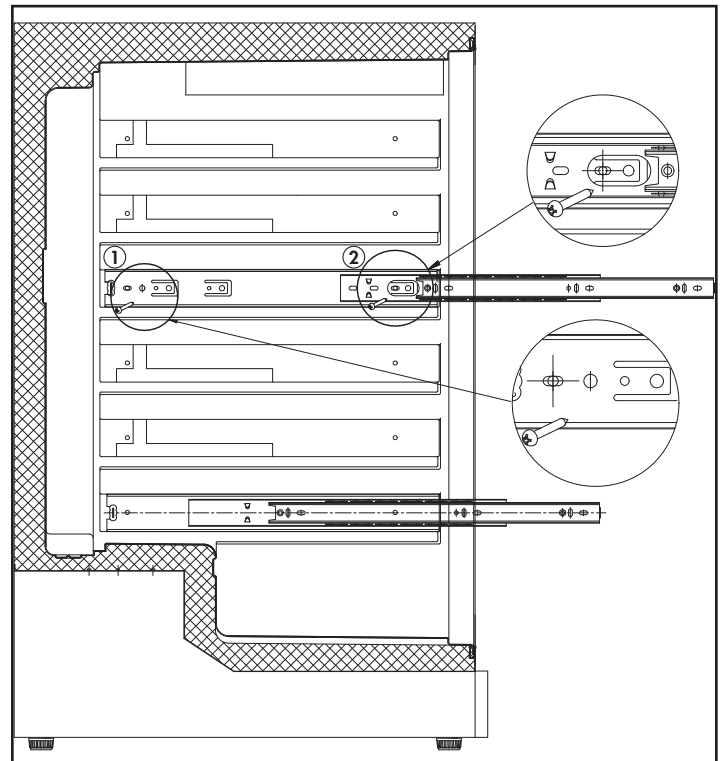
Para quitar los estantes:

1. Extienda completamente el estante.
2. Levanta el frente del estante.
3. Sujete la guía del estante, empuje el estante hacia adentro y luego hacia arriba para liberarlo de los amortiguadores traseros.



Para cambiar la posición de los deslizadores de la plataforma:

1. Retire el estante según las instrucciones anteriores.
2. Extienda la plataforma deslizante completamente.
3. Primero quite el tornillo trasero, luego quite el tornillo frontal.
4. Instale el deslizador de estante en una nueva posición instalando los tornillos en los agujeros previamente perforados. Haga lo mismo para el deslizamiento en el otro lado del aparato.
5. Vuelva a instalar el estante y enchufe el sistema de iluminación.



INSTRUCCIONES DE INSTALACIÓN

PREPARAR EL RECINTO

Se deben usar guantes y gafas de seguridad durante la instalación.

No se recomienda instalar el aparato en una esquina o directamente al lado de una pared. La puerta tendrá que abrirse más de 90° para permitir la extensión completa de los estantes. Si es necesario colocar la unidad cerca de una pared o en una esquina, deje al menos 2-4 pulgadas (5-10 cm) de espacio entre la pared y el aparato para permitir la apertura de la puerta.

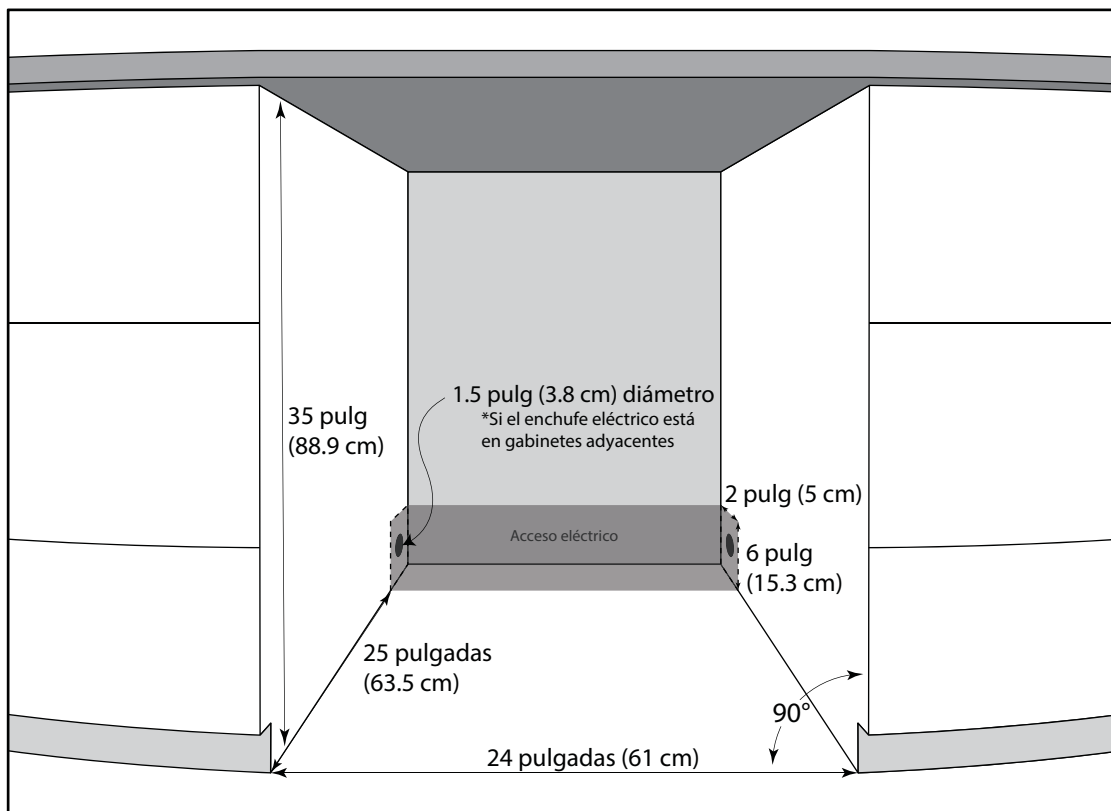
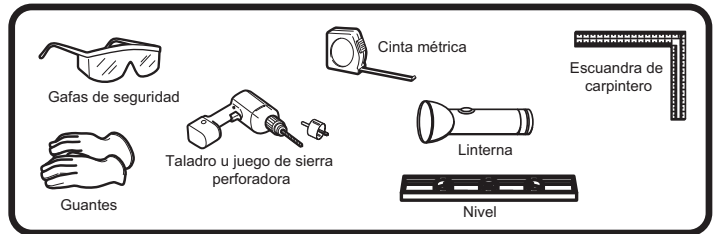
La abertura del gabinete debe tener al menos 24 pulgadas (61 cm) de ancho por 35 pulgadas (88.9 cm) de alto por 25 pulgadas (63.5 cm) de profundidad.

Nota: El requisito de profundidad es suponer que la salida eléctrica se encuentra en el gabinete adyacente o montada enrasada en la pared posterior, no montada en superficie dentro del recinto.

Si el tomacorriente se encuentra dentro de gabinetes adyacentes, corte un orificio de 1.5 pulgadas (3.8 cm) de diámetro para admitir el cable de alimentación. Si la pared del armario es metálica, el borde del agujero debe estar cubierto con un casquillo o arandela.

HERRAMIENTAS REQUERIDAS

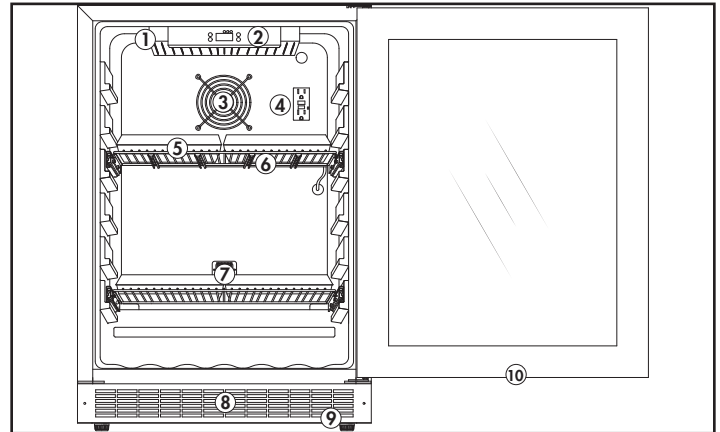
- Gafas de seguridad
- Guantes
- Cinta métrica
- Escuadra de carpintero
- Nivel
- Linterna
- Taladro u juego de sierra perforadora



INSTRUCCIONES DE OPERACIÓN

CARACTERÍSTICAS

1. Caja de luz LED
2. Panel de control
3. Salida de aire / Ventilador
4. Salida GFCI
5. Estantes de alambre
6. Tira de luz LED (en la parte inferior de la plataforma)
7. Bandejas de semillas y domos de humedad (x6)
8. Escape montado en la parte delantera
9. Pie ajustable
10. Entradas de aire (arriba y abajo de la puerta)



PANEL DE CONTROL

1. Botón de encendido

- Usado para encender o apagar el aparato.
- Al apagar el aparato, se borra toda la programación de luz.

2. Botón de reloj

- Presione una vez para verificar el tiempo de ciclo de funcionamiento.
- Mantenga presionado por 3 segundos para configurar el reloj.

3. Pantalla de visualización

- Pantalla de visualización de tiempo

4. Indicador R: La luz parpadeará cuando configure el tiempo de ciclo de funcionamiento.

5. Indicador N: La luz parpadeará al configurar el tiempo de encendido de la luz.

6. Indicador F: La luz parpadeará al configurar el tiempo de apagado de la luz.

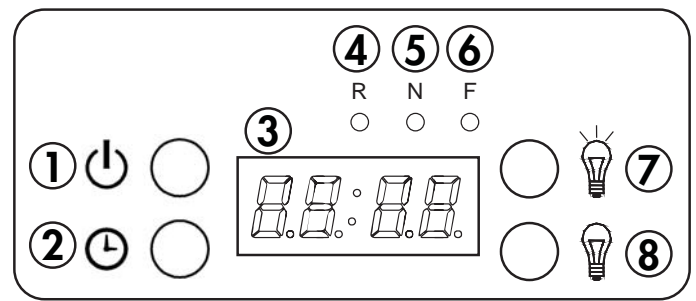
7. Botón para encender la luz

- Presione una vez para verificar la hora en que se encenderá la luz.
- Manténgalo presionado durante 3 segundos para configurar el tiempo de encendido de la luz.
- Use para aumentar el número al establecer una función.

8. Botón para apagar la luz

- Presione una vez para verificar el tiempo cuando la luz se apagará.
- Manténgalo presionado durante 3 segundos para configurar el tiempo de apagado de la luz.
- Use para disminuir el número al establecer una función.

Indicador R N F: se ilumina para indicar que el modo de funcionamiento ligero está en funcionamiento.



NOTA SOBRE EL SISTEMA DE LUZ

La caja de luz en el techo del gabinete y las tiras de luz en la parte inferior del estante están conectadas al mismo panel de control. Al configurar las luces y las horas de apagado en el panel de control se controlarán ambos juegos de luces.

Si solo desea colocar la caja de luz en el techo del gabinete, desenchufe el cable que conduce a las luces del estante.

Si solo desea encender las luces del estante, desenchufe el cable que conduce a la caja de luz.

Asegúrese siempre de que el sistema de iluminación que desea utilizar esté enchufado en el panel de control.

INSTRUCCIONES DE OPERACIÓN

AJUSTANDO EL RELOJ

Cuando el dispositivo se enchufa por primera vez, la pantalla parpadeará hasta que el reloj esté configurado con la hora local actual.

Los primeros dos dígitos en la pantalla de visualización parpadearán. Presione los botones de encendido o apagado para establecer la hora correcta. Presione el botón del reloj para confirmar la selección.

Los segundos dos dígitos en la pantalla de visualización parpadearán. Presione los botones de encendido o apagado para establecer el minuto correcto. Presione el botón del reloj para confirmar la selección.

Para cambiar la hora actual, mantenga presionado el botón del reloj durante 3 segundos. Cuando los primeros dos dígitos de la pantalla comiencen a parpadear, use los pasos anteriores para restablecer la hora actual.

El rango de horas se puede configurar entre 0 y 23. El rango de minutos se puede establecer entre 0 y 59.

AJUSTE EL TIEMPO CUANDO LA LUZ SE ENCIENDE

Mantenga presionado el botón de encendido durante tres segundos hasta que la luz indicadora N parpadee.

Los primeros dos dígitos en la pantalla de visualización parpadearán. Presione los botones de encendido o apagado para configurar la hora deseada para que las luces se enciendan. Presione el botón del reloj para confirmar la selección.

Los segundos dos dígitos en la pantalla de visualización parpadearán. Presione los botones de encendido o apagado para configurar el minuto deseado para que las luces se enciendan. Presione el botón del reloj para confirmar la selección.

Presione el botón de encendido una vez para mostrar la configuración de encendido de la luz actual. La pantalla volverá a la hora actual después de 3 segundos.

El rango de horas se puede configurar entre 0 y 23. El rango de minutos se puede establecer entre 0 y 59.

AJUSTE EL TIEMPO CUANDO LA LUZ SE APAGA

Mantenga presionado el botón de apagado durante tres segundos hasta que la luz indicadora F parpadee.

Los primeros dos dígitos en la pantalla de visualización parpadearán. Presione los botones de encendido o apagado para configurar la hora deseada para que las luces se apaguen. Presione el botón del reloj para confirmar la selección.

Los segundos dos dígitos en la pantalla de visualización parpadearán. Presione los botones de encendido o apagado para configurar el minuto deseado para que las luces se apaguen. Presione el botón del reloj para confirmar la selección.

Presione el botón de apagado una vez para mostrar la configuración actual de apagado de luz. La pantalla volverá a la hora actual después de 3 segundos.

El rango de horas se puede configurar entre 0 y 23. El rango de minutos se puede establecer entre 0 y 59.

Cuando termine de ajustar el tiempo de apagado de la luz, las luces indicadoras R N F se iluminarán para indicar que el modo de funcionamiento ligero está actualmente en funcionamiento.

AJUSTE DEL CICLO DE FUNCIONAMIENTO

El ciclo de funcionamiento determina cuántos días las luces se encenderán y apagarán una vez que estén programadas. El valor predeterminado es 0, lo que significa que las luces solo completarán el ciclo de programación una vez.

Mantenga presionados los botones de encendido y apagado al mismo tiempo durante tres segundos hasta que la luz indicadora R parpadee.

Los primeros dos dígitos en la pantalla de visualización parpadearán. Presione los botones de encendido o apagado para establecer el número deseado de días que debe transcurrir el ciclo. Presione el botón del reloj para confirmar la selección.

El ciclo de funcionamiento puede establecerse entre 1 y 60 días.

Después de un máximo de 60 días, las luces volverán a la programación predeterminada y se deberá reiniciar el ciclo de funcionamiento.

Cuando termine de configurar el ciclo de ejecución, se mostrará "End" en la pantalla de visualización.

INSTRUCCIONES DE OPERACIÓN

CONSEJOS PARA CULTIVAR

- Mantenga las macetas o macetas en la bandeja de goteo proporcionada para evitar derrames de agua.
- Las plantas crecen mejor cuando la temperatura ambiente está entre 13°C - 23°C (55°F - 73°F).
- Mantenga el ambiente en crecimiento limpio. Limpie el intento de goteo y el interior del gabinete al menos una vez al mes para evitar el crecimiento de moho y moho.
- Si se forma moho blanco en polvo en las plantas, se pueden rociar con una solución de peróxido de hidrógeno y agua. Use 1 cucharadita de peróxido de hidrógeno al 17% - 35% de grado alimenticio a 1 litro de agua y rocíe solamente el suelo ya que esto puede causar putrefacción si se rocía sobre hojas o flores.
- No sobrecargue las plantas, especialmente las plantas de semillero, ya que pueden ahogarse. Hay espacio entre las partículas de tierra que se llena de oxígeno. El suelo que está constantemente húmedo no transportará suficiente oxígeno y las plantas no podrán respirar.
- Como regla general, el suelo debe estar húmedo pero no húmedo. Revise el paquete de semillas para obtener información específica sobre las instrucciones de riego.
- En general, para la mayoría de hierbas y verduras, se recomiendan los siguientes ciclos de luz:
 - **Ciclo de crecimiento:** 18 horas en/6 horas de descanso durante aproximadamente 20 - 30 días.
 - **Ciclo de floración:** 12 horas en/12 horas de descanso durante aproximadamente 20 - 30 días.
- La mayoría de las hierbas y las verduras tienen una fecha de vencimiento entre 45 - 90 días. El tiempo que tardan las plantas en madurar dependerá del tipo de plantas que se cultiven. Compruebe el paquete de semillas para obtener información específica sobre los ciclos de crecimiento, la germinación y los tiempos de floración.

CONSEJOS PARA CULTIVAR

Las semillas deben germinarse antes de que crezcan y florecen. Para obtener mejores resultados en la germinación, consulte los consejos a continuación.

- Extienda el terreno para macetas de manera uniforme en una olla o bandeja.
- Separe las semillas uniformemente sobre la superficie del suelo.
- Agregue suficiente agua para que la tierra esté húmeda pero no empapada. Se recomienda el uso de una botella rociadora para agregar agua para evitar el riego excesivo de las semillas.
- Se recomienda el uso de un domo de humedad sobre las semillas para atrapar el calor y la humedad alrededor de las semillas.
- Coloque la olla o la bandeja en un lugar oscuro. La parte inferior de Danby Fresh Grower es ideal para este propósito.
- Deje la cúpula de humedad en su lugar durante 2 - 3 días o hasta que los brotes estén visibles.
- Retire el domo de humedad y coloque la olla o la bandeja en el estante de alambre en el cultivador Danby Fresh.
- Establezca el ciclo de luz deseado según la información en el paquete de semillas usando las instrucciones en la página 6.
- Riega tus plantas según sea necesario según la información del paquete de semillas.
- La mayoría de los microhuecos alcanzan la madurez dentro de 1 a 2 semanas.

Nota: Danby Products Ltd. no aceptará ninguna responsabilidad por las plantas perdidas o las cosechas débiles basadas en el uso inadecuado del sistema de temporizador y ciclo de luz.

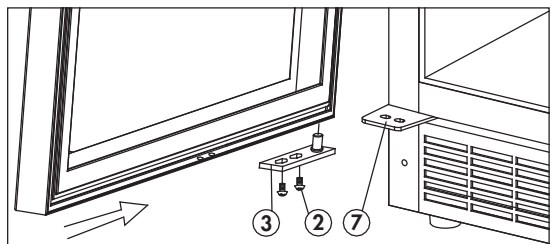
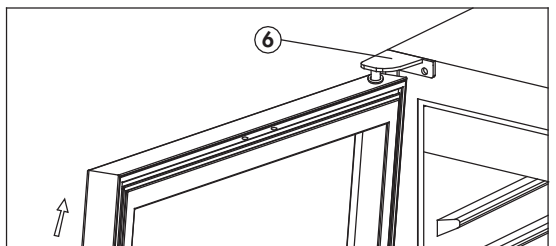
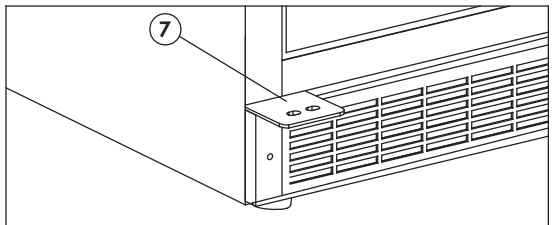
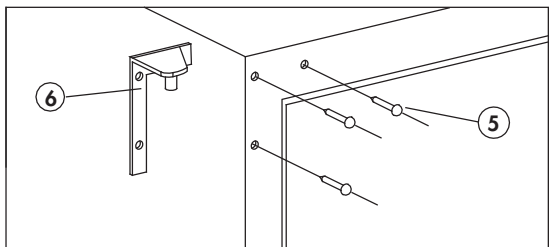
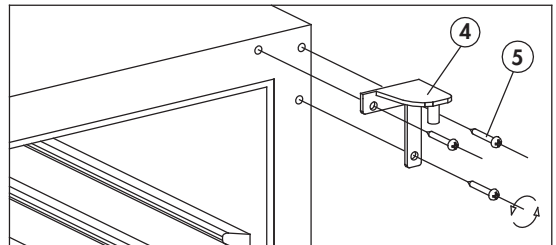
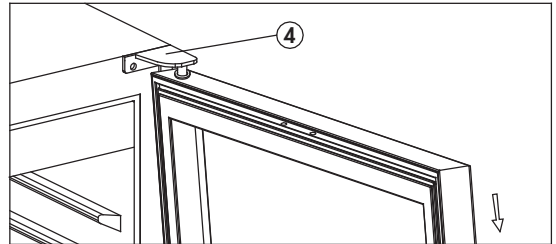
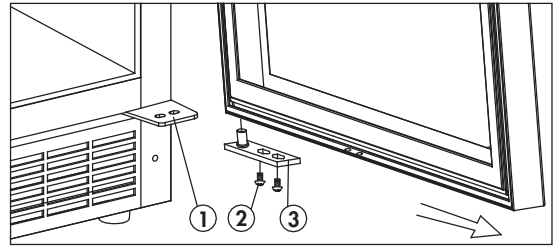
INSTRUCCIONES DE OPERACIÓN

INSTRUCCIONES DE REVERSIÓN DE LA PUERTA

Si la abertura de la puerta predeterminada en el electrodoméstico no es conveniente, siga los pasos a continuación para cambiar la dirección de la oscilación de la puerta.

1. Retire los dos tornillos que aseguran el eje de la bisagra a la bisagra inferior derecha. Deslice la puerta hacia afuera desde la parte inferior para quitarla de la bisagra superior derecha.
2. Retire la bisagra superior derecha del gabinete.
3. Retire las cubiertas de los orificios para tornillos del lado superior izquierdo del gabinete e instale la bisagra superior izquierda. Coloque las cubiertas de los orificios para tornillos en los orificios para tornillos en la parte superior derecha del gabinete.
4. La bisagra inferior izquierda está preinstalada en el armario. La bisagra inferior derecha no necesita ser removida.
5. Para reinstalar la puerta, debe voltearse 180° desde su posición original. Instale la puerta deslizándola sobre el pasador de la bisagra superior, luego vuelva a colocar el eje de la puerta colocando el pasador de la bisagra en la parte inferior de la puerta y sujétela a la bisagra inferior izquierda.

- | |
|-------------------------------|
| 1. Bisagra inferior derecha |
| 2. Tornillos de eje |
| 3. Eje de la bisagra |
| 4. Bisagra superior derecha |
| 5. Tornillos de bisagra |
| 6. Bisagra superior izquierda |
| 7. Bisagra inferior izquierda |



SOLUCIÓN SUGERIDA

LIMPIEZA

Asegúrese de que el dispositivo esté desenchufado antes de limpiarlo.

- Para limpiar el interior del aparato, use un paño suave y una solución de una cucharada de bicarbonato de sodio con un litro de agua o un poco de detergente suave.
- Limpie el exterior con un paño suave y húmedo y un poco de detergente suave.

Nota: No use limpiadores que contengan amoníaco o alcohol en el artefacto. El amoníaco o el alcohol pueden dañar la apariencia del artefacto. Nunca use limpiadores comerciales o abrasivos u objetos afilados en ninguna parte del artefacto.

VACACIONES

No es recomendable dejar el dispositivo en funcionamiento durante las vacaciones. Las plantas requieren riego diario y monitoreo para asegurarse de que no se sobrecalienten o deshidraten. Asegúrese de vaciar, apagar y desenchufar el aparato antes de irse de vacaciones.

CÓDIGOS DE ERROR

El dispositivo puede emitir una alarma y mostrar un código de error en la pantalla de visualización. En general, esto se debe a que las temperaturas dentro del gabinete son demasiado altas o demasiado bajas. Las altas temperaturas pueden deshidratar y quemar las plantas. Las bajas temperaturas pueden congelar las plantas y retrasar el crecimiento.

Código de error "HI"

Sonará una alarma y aparecerá el código de error "HI" en la pantalla cuando la temperatura interna del aparato sea superior a 32°C (90°F) durante más de 10 minutos. Si la temperatura dentro del gabinete cae por debajo de 30°C (86°F) por más de 5 minutos, la alarma y el error se detendrán y el artefacto reanudará el funcionamiento normal. Presione cualquier tecla en el panel de control para silenciar la alarma.

Código de error "LO"

Sonará una alarma y aparecerá el código de error "LO" en la pantalla cuando la temperatura interna del aparato sea inferior a 17°C (63°F) durante más de 10 minutos. Si la temperatura dentro del gabinete aumenta por encima de 19°C (66°F) durante más de 5 minutos, la alarma y el error se detendrán y el artefacto reanudará el funcionamiento normal. Presione cualquier tecla en el panel de control para silenciar la alarma.

CUIDADO Y MANTENIMIENTO

Danby cuidado del consumidor: 1-800-263-2629

Horas de operación:

Lunes a Jueves 8:30 am - 6:00 pm Hora estándar del este

Viernes 8:30 am - 4:00 pm Hora estándar del este

La información de este manual está sujeta a cambios sin previo aviso.

PROBLEMA	POSSIBLE CAUSA
Ninguna energía	<ul style="list-style-type: none">• Se puede fundir un fusible o se disparó el disyuntor• El enchufe no está completamente insertado en el tomacorriente de la pared
Alarma sonora y "HI" en la pantalla	<ul style="list-style-type: none">• La temperatura interna es más alta que 32°C (90°F)
Alarma sonora y "LO" en la pantalla	<ul style="list-style-type: none">• La temperatura interna es inferior a 17°C (63°F)

GARANTÍA LIMITADA "A DOMICILIO"

Este producto de calidad está garantizado contra defectos de fabricación, incluyendo partes y mano de obra, siempre y cuando la unidad se utilice bajo las condiciones normales de funcionamiento para las que fue diseñado. Esta garantía está solamente disponible para la persona que haya comprado originalmente esta unidad directamente de Danby Products Limited (Canada) o Danby Products Inc. (U.S.A.) (en adelante "Danby") o uno de sus distribuidores autorizados, y no es transferible.

CONDICIONES DE LA GARANTÍA

Las piezas plásticas, se autorizan por treinta (30) días solamente a partir de la fecha de la compra, sin las extensiones proporcionadas.

Primeros 18 meses Durante los primeros **dieciocho (18) meses**, cualquier parte en buen estado de este producto que resulte defectuosa, incluyendo cualquier sistema sellado, será reparado o reemplazado, a opción del fabricante, sin cargo para el comprador original.

Para obtener servicio Comuníquese con el distribuidor donde haya comprado la unidad, o llame al Taller de Servicio Autorizado más cercano, donde debe ser reparada por un técnico calificado. Si esta unidad es reparada en otro lugar que no sea un Taller de Servicio Autorizado, o si la unidad se utiliza para aplicaciones comerciales, Danby no se hará responsable de ninguna forma y la garantía será anulada.

Límites del servicio técnico a domicilio Danby se reserva el derecho de limitar la cobertura de "Servicio en Domicilio" sujeto a la proximidad de un **Taller de Servicio Autorizado**. Para todo artefacto que requiera servicio fuera del área limitada de "Servicio en Domicilio", el cliente será responsable por transportar dicho artefacto hasta el Taller de Servicio Autorizado más cercano. Si el electrodoméstico está instalado en un lugar que se encuentra a **100 kilómetros (62 millas)** o más del centro de servicios más cercano, se debe llevar la unidad al Centro de servicios Danby autorizado más cercano, ya que dicho servicio sólo puede realizarlo un técnico calificado y certificado por Danby para prestar servicios de garantía.

Los cargos por transporte desde y hacia el lugar en que se efectúe el servicio técnico no están cubiertos por esta garantía y son de responsabilidad del comprador.

Nada dentro de esta garantía implica que Danby será responsable por cualquier daño que hayan sufrido los alimentos u otros contenidos de este aparato, ya sea debido a un defecto del aparato, o su uso, adecuado o inadecuado.

EXCLUSIONES

Salvo lo aquí indicado por Danby, no existen otras garantías, condiciones o representaciones, explícitas o implícitas, concretas o intencionales por parte de Danby o sus distribuidores autorizados y todas las demás garantías, condiciones o representaciones, incluyendo cualquier garantía, condiciones o representaciones bajo cualquier Acta de Venta de Productos o legislación o estatuto similar, quedan de esta forma expresamente excluidas. **Salvo lo aquí indicado, Danby no serán responsables por ningún daño a personas o bienes, incluyendo la propia unidad, sin importar su causa, o de ningún daño indirecto causado por el desperfecto de la unidad, y al comprar esta unidad, el comprador acepta por la presente, indemnizar y proteger a Danby contra cualquier reclamo por daños a personas o bienes causados por la unidad.**

CONDICIONES GENERALES

No se considerará ninguna de estas garantías o seguros cuando el daño o la necesidad de reparación sea el producto de los siguientes casos:

- 1) Falla del suministro eléctrico.
- 2) Daños en tránsito o durante el transporte de la unidad.
- 3) Alimentación incorrecta, como bajo voltaje, instalación eléctrica defectuosa o fusibles inadecuados.
- 4) Accidente, modificación, abuso o uso incorrecto del artefacto, tal como insuficiente ventilación del ambiente o condiciones de operación anormales (temperatura ambiente extremadamente alta o baja).
- 5) Utilización comercial o industrial (v.g., si el electrodoméstico no está instalado en una vivienda particular).
- 6) Incendio, daños por agua, robo, guerra, disturbios, hostilidades, actos de fuerza mayor como huracanes, inundaciones, etc.
- 7) Pedidos de servicio debido a desinformación del usuario.
- 8) Instalación inadecuada (v.g., instalación empotrada de un electrodoméstico diseñado como unidad independiente o uso de un electrodoméstico al aire libre que no esté aprobado para dicho fin, incluyendo pero no limitado a: garajes, patios, porches o en cualquier lugar que no esté bien aislado o controlado por el clima).

Se requerirá una prueba de la fecha de compra para reclamaciones de garantía; Retener las facturas de venta. En el caso de que se requiera servicio de garantía, presente el comprobante de compra a nuestro depósito de servicio autorizado.

Servicio de Garantía
Servicio en Domicilio

Danby Products Limited
PO Box 1778, Guelph, Ontario, Canada N1H 6Z9
Telephone: (519) 837-0920 FAX: (519) 837-0449

1-800-263-2629
04/17

Danby Products Inc.
PO Box 669, Findlay, Ohio, U.S.A. 45840
Telephone: (419) 425-8627 FAX: (419) 425-8629



MODEL • MODÈLE • MODELO

DFG58D1BSS

Danby Products Limited, Guelph, ON, Canada N1H 6Z9
Danby Products Inc., Findlay, Ohio, USA 45840

Printed in China
Imprimé en Chine
Impresso en China