

Danby® *Designer*

- **COMPACT REFRIGERATOR**
- **RÉFRIGÉRATEUR COMPACT**
- **REFRIGERADOR COMPACTO**

Owner's Use and Care Guide

Guide d'utilisation et soins de propriétaire

Guía de utilización y cuidado para el propietario

Model • Modèle • Modelo

DCRM31WDD / DCRM31BSLDD



CONTENTS

TABLE DES MATIÈRES

ÍNDICE

COMPACT REFRIGERATOR

Owner's Use and Care Guide 1-8

- Safety Instructions
- Installation Instructions
- Features
- Operating Instructions
- Door Reversal Instructions
- Care and Maintenance
- Troubleshooting
- Warranty

RÉFRIGÉRATEUR COMPACT

Guide d'utiliser et soin de propriétaire 9-16

- Consignes de sécurité
- Consignes d'installation
- Caractéristiques
- Opération
- Instructions de porte réversible
- Soins et entretien
- Dépannage
- Garantie

REFRIGERADOR COMPACTO

Guía de utilización y cuidado para el propietario17-24

- Instrucciones de seguridad importantes
- Instrucciones de instalación
- Características
- Instrucciones operadoras
- Instrucciones por inversión de la puerta
- Limpieza y mantenimiento
- Resolución de problemas
- Garantía



CAUTION

Read and follow all safety rules and operating instructions before first use of this product.



PRECAUTION

Veillez lire attentivement les consignes de sécurité et les instructions d'utilisation avant l'utilisation initiale de ce produit.



PRECAUCION

Lea y observe todas las reglas de seguridad y las instrucciones de operación antes de usar este producto por primera vez.

IMPORTANT SAFETY INFORMATION

READ ALL SAFETY INFORMATION BEFORE USING

ELECTRICAL REQUIREMENTS

This appliance must be grounded. In the event of an electrical short circuit, grounding reduces the risk of electrical shock by providing an escape wire for the electrical current.

This appliance is equipped with a cord having a grounding wire with a grounding plug. The plug must be plugged into an outlet that is properly installed and grounded.

WARNING

Improper use of the grounding plug can result in a risk of electric shock. Consult a qualified electrician or serviceman if the grounding instructions are not completely understood, or if doubt exists as to whether the appliance is properly grounded.

DO NOT USE AN EXTENSION CORD

Use an exclusive wall outlet. Do not connect your freezer to extension cords or together with any other appliance in the same wall outlet. Do not splice the cord.

IMPORTANT WARNING: An empty refrigerator/freezer is a very dangerous attraction to children. Remove either the gasket, latches, lids or doors from unused appliances, or take some other action that will guarantee it harmless.

DANGER: Risk of Child Entrapment! Before you throw away your old refrigerator/freezer:

- Take off the doors.
- Leave the shelves in place so that children may not easily climb inside.

DON'T WAIT! DO IT NOW!

SAVE THESE INSTRUCTIONS

INSTALLATION INSTRUCTIONS

LOCATION

Remove exterior and interior packaging, wipe the outside thoroughly with a soft dry cloth and the inside with a wet, lukewarm cloth. Avoid placing the unit in a narrow recess or near any heat source, direct sunlight, or moisture. Let air circulate freely around the unit. Keep the rear of the refrigerator 5 inches away from the wall.

Location

- 1) Select a place with a level floor.
- 2) Allow 5 inches of space between the back of the refrigerator and any adjacent wall.
- 3) Avoid direct sunlight and heat. Direct sunlight may affect the acrylic coating. Heat sources nearby will cause higher electricity consumption.
- 4) Avoid damp places. Too much moisture in the air will cause frost to form very quickly on the evaporator, and your refrigerator will have to be defrosted more frequently.

Wall Ventilating

There is a need for good ventilation around the refrigerator for easy dissipation of heat, high efficiency of refrigeration and low power consumption. For this purpose, sufficient clear space should be needed around the refrigerator. It's back is at least 100mm separately and the height from over its top is not less than 200mm. A clear space should be left to open its doors to 160°.

Power Supply

The refrigerator is only applied with power supply of single phase alternating current of 115V~/60Hz. If fluctuation of voltage in the district user is of so large that the voltage exceeds the above scope, for safety sake, be sure to apply a.c. automatic voltage regulator to the refrigerator. The refrigerator must employ a special power socket instead of common one with other electric appliances. Its plug must match the socket with ground wire.

INSTALLATION INSTRUCTIONS

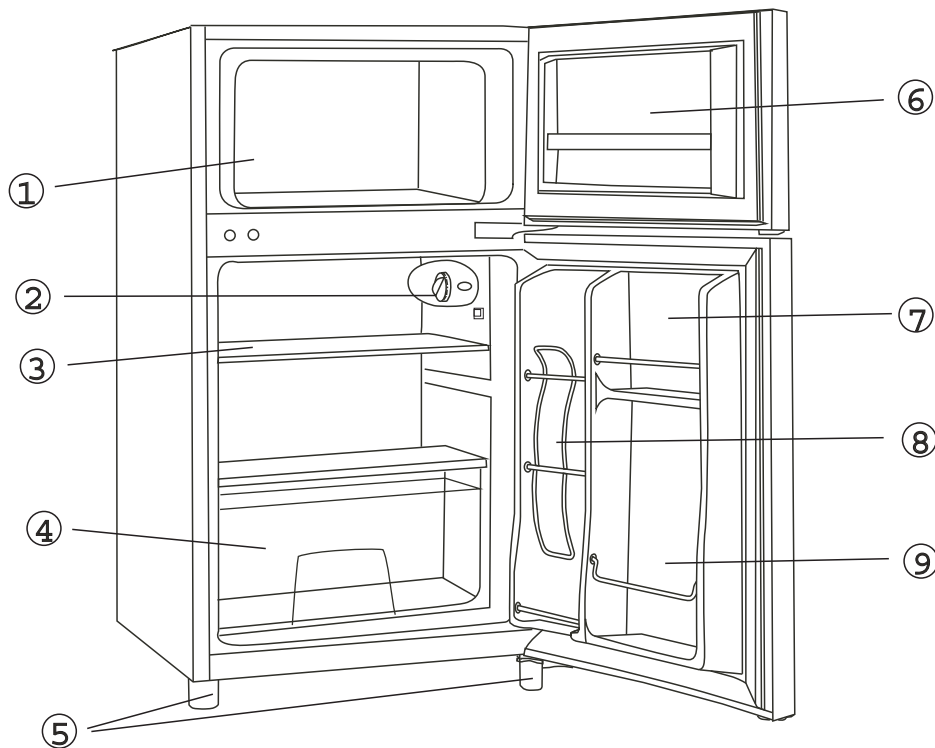
Power Line Cord

The cord should be neither lengthened nor folded into a coil during operation. Moreover, it is forbidden that cord is kept close onto the compressor at the back of the refrigerator, the surface temperature of which is quite high when operating. Touching with it would deactivate the insulation or cause leakage for electricity.

Protection from Moisture

Avoiding placing the refrigerator in a place where heavy moisture is present so as to minimize possibility of rusty for its metal parts. Still more, the refrigerator is forbidden to be directly sprayed by water, otherwise, poor insulation and current leakage would occur.

PARTS AND FEATURES

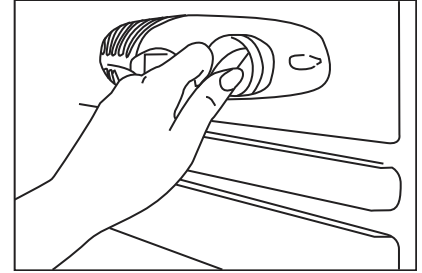


1. Freezer Compartment
2. Temperature Control (with integrated Interior light assembly)
3. Wire Shelf (Total 1)
4. Crisper with Glass Cover
5. Leveling Leg
6. Freezer Door Bin
7. Refrigerator Door Bin
8. Beverage Can Dispenser
9. 2-Liter Bottle Bin

OPERATING INSTRUCTIONS

SETTING THE TEMPERATURE CONTROL

- The first time you turn the unit on, set the temperature control to “7” the coldest.
- The range of the temperature controls are from position “0” or NO COOLING to “7” the coldest. After 24 to 48 hours, adjust the temperature control to the setting that best suits your needs. The setting of “4” should be correct for home or office refrigerator use.



NOTE:

- IF THE UNIT IS UNPLUGGED, HAS LOST POWER, OR IS TURNED OFF, YOU MUST WAIT 3 TO 5 MINUTES BEFORE RESTARTING THE UNIT. IF YOU ATTEMPT TO RESTART BEFORE THIS TIME DELAY, THE REFRIGERATOR-FREEZER WILL NOT START.
- TURNING THE REFRIGERATOR TEMPERATURE CONTROL TO “0” POSITION STOPS THE COOLING CYCLE BUT DOES NOT SHUT OFF THE POWER TO THE UNIT.

INTERIOR LIGHT

When you open the door the light will be ON automatically. When you close the door the light will turn OFF automatically.

DEFROSTING YOUR APPLIANCE

• **When?** For the most efficient operation and minimum energy consumption, defrost the freezer compartment when the frost on the appliance walls is excessive or ¼ inch thick.

There is no need to defrost the refrigerator compartment, because ice depositing on the inner back wall is defrosted automatically. Ice may deposit on the inner back wall during the compressor operation; later on, when the compressor is not operating the ice will defrost and the water drops collect and drain through the outlet in the inner back wall into the drain pan situated above the compressor, from where it evaporates.

• **How?**

CAUTION

Do not use boiling water because it may damage the plastic parts. In addition, never use a sharp or metallic instrument to remove frost as it may damage the cooling coils and will void the warranty. We recommend using a plastic scraper.

- Reset the thermostat to the “0” position and disconnect the power supply.
- Remove the frozen food from the appliance and place it in a cooler to protect the food.
- Leave the door open for a while so that you can easily scrap off the frost.
- Use a plastic scraper but be careful not to damage the inner surfaces of the freezer.
- Wipe up the scraped off frost and ice before it is completely defrosted.

OPERATING INSTRUCTIONS

FREEZING FRESH FOODS

- Proper use of the appliance, adequately packed food, correct temperature and taking into account hygienic precautions will substantially influence the quality of freezing the food or storing of the frozen foods.
- This compartment is designed for the long-term storage of frozen food.
- The storage life of frozen foods varies and the recommended storage time should not be exceeded.
- Pre-packed commercially frozen food should be stored in accordance with the frozen foods manufacturer's instructions for a three star frozen food storage compartment or home freezer.
- Place frozen food into the freezer as quickly as possible after purchase. If there are instructions on the packet, carefully follow these instructions regarding storage times.
- Carefully select food you intend to freeze, it should be of adequate quality and suitable for freezing.
- Use correct packaging and wrap it tight.
- The packaging should be airtight and shouldn't leak since this could cause substantial vitamin loss and dehydration of foods.
- Foils and bags should be soft enough to tightly wrap around the foods.
- When preparing foods to be frozen, consider sanitary precautions.
- Mark packages with following data: kind and amount of foods and the date of loading.
- It is extremely important that the food is frozen as quickly as possible.
- If the loading amount is too large, the quality of freezing is reduced which affects the quality of frozen foods.

CAUTIONS

It must be checked that the voltage used be the same as the rated voltage before the refrigerator is used.

Water contained in food or getting into air inside the refrigerator by opening doors may form a layer of frost inside. It will weaken the refrigerator when the frost is thick. The refrigerator can defrost automatically. The defrost water flows into the water collection pan through the drain port and evaporates by the heat of the compressor.

If the supply cord of this appliance is damaged, it must only be replaced by a repair shop appointed by the manufacturer because special purpose tools are required.

It is dangerous to alter the specifications or attempt to modify this product in any way.

When you change the light bulb or when the refrigerator is not in use for long periods, disconnect it from the electricity supply.

Wait for 5 minutes before restarting the unit after the power supply blackout.

To reduce the potential risk of electrical shock, this appliance is equipped with an earth plug which should be connected to a grounded socket.

INSTALLATION INSTRUCTIONS

DOOR REVERSAL INSTRUCTIONS

This refrigerator has been built with the door hinges on the right. If you wish to change the opening direction, follow the instructions below:

1. Remove the small plastic cover (7) and the plastic hinge cover (6) on the appliance top to disassemble the worktop.
2. Remove the two screws (1) that hold the upper hinge (5) (right side) to the frame. Take away the upper hinge (5).
3. Lift the door and place it on a padded surface to prevent it from scratching.
4. Remove the two screws (8) that hold the lower hinge (2) and make sure to remove the lower hinge (2).
5. Remove the left front leg (4) and transfer it to the right side.

6. Before placing this lower hinge (2,) remove the bolt-pin (9) and reverse the direction of the lower hinge (2). Then install the lower hinge (2) onto the left side of the lower frame with two screws. (8)

7. Insert the bolt-pin (9) to the lower hinge (2.)

8. Set the door to its place making sure the door seat is at the lower hinge (2.)

9. While holding the door in the closed position secure the upper hinge (5) in the top frame of the left side with two screws (1.) Please remember to not tighten the two screws (1) until the top of the door is levelled with the top cover.

10. Install the worktop onto the top of the cabinet with plastic hinge cover (6) and attach the small plastic cover (7.)

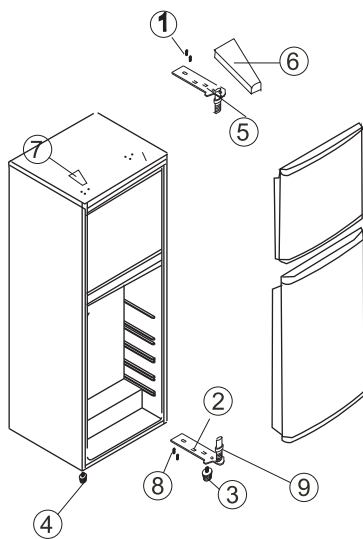


FIG.1

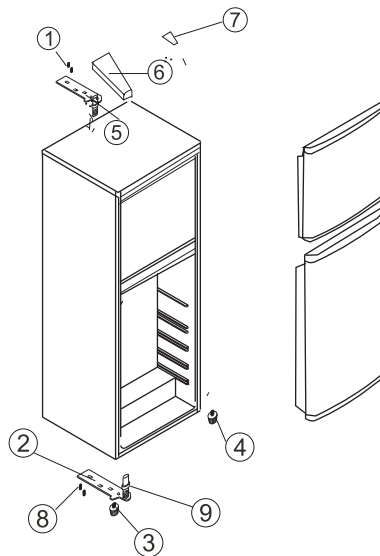


FIG.2

FIGURE 1	Represents position of components prior to door reversal.
FIGURE 2	Represents position of components after door reversal.

CARE AND MAINTENANCE

CLEANING THE APPLIANCE

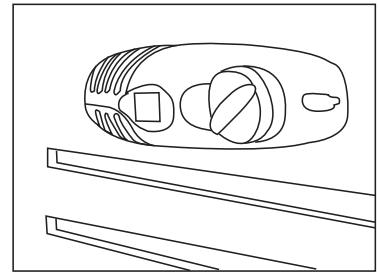
- Turn the temperature control to "0", unplug the unit, and remove the food and baskets.
- Wash the inside with a warm water and baking soda solution. The solution should be about 2 tablespoons of baking soda to a quart of water.
- Wash the baskets with a mild detergent solution.
- The outside of the unit should be cleaned with mild detergent and warm water.

CAUTION

Failure to unplug the refrigerator-freezer could result in electrical shock or personal injury.

CHANGING THE LIGHT BULB

- Unplug the AC power cord from the wall.
- Remove the screw that holds the light bulb cover in place.
- Squeeze the tabs at the top and bottom of the light bulb cover simultaneously.
- Remove the light bulb cover.
- Unscrew the bulb.
- Replace with a 10 watt bulb that is the same shape and size.
- Replace the light bulb cover.



POWER FAILURE

Most power failures are corrected within a few hours and should not affect the temperature of your refrigerator-freezer if you minimize the number of times the door is opened. If the power is going to be off for a longer period of time, you need to take the proper steps to protect your food.

VACATION TIME

Short vacations: Leave the unit operating during vacations of less than three weeks.

Long vacations: If the appliance will not be used for several months, remove all food and unplug the power cord. Clean and dry the interior thoroughly. To prevent odor and mold growth, leave the door open slightly: blocking it open if necessary.

TROUBLESHOOTING

Occasionally, a problem is minor and a service call may not be necessary- use this troubleshooting guide for a possible solution. If the unit continues to operate improperly, call an authorized service depot or **Danby's Toll Free Number 1-800-263-2629** for assistance.

PROBLEM	SOLUTION
When the refrigerator does not work.	Check to see if there is a power failure. Check if the power plug is plugged into the power outlet. Check that the fuse has not blown.
When the refrigerator is cooling excessively.	The temperature control dial may be set too high. If you place food containing alot of moisture directly under the cool air outlets they will freeze easily. This does not indicate malfunction.
When the refrigerator is not cooling sufficiently.	The food may be packed too tightly together which will block the flow of cool air. You may have put something hot or a lot of food into the refrigerator. The door may not have been closed properly. The door gaskets may be damaged. The refrigerator may not be ventilated. There may be insufficient clearance between the refrigerator and the surfaces. The temperature control dial may not be set properly.
When the defrosting water overflows inside the refrigerator and onto the floor.	Check that the drain pipe and the drain hose are not clogged. Check that the drain pan is housed properly.
When condensation forms on the outside of the refrigerator.	Condensation may form on the outside when the humidity is high such as during a wet season. This is the same result as the condensation formed when chilled water is poured into a glass. It does not indicate a failure. Wipe dry with a dry cloth.
When you hear a sound like water flowing.	If you hear a sound like "water flowing" that is the sound of refrigerant flowing. It does not indicate a malfunction.
When the cabinet's side panel heats up.	The side panel of the cabinet will heat up when the door is opened or closed frequently, when starting the unit and when the unit operates in summer with high ambient outside temperature. In such case do not touch the panel, it results from the dissipation of the heat from inside the cabinet and it does not mean that something is wrong with the refrigerator.

LIMITED IN-HOME APPLIANCE WARRANTY

This quality product is warranted to be free from manufacturer's defects in material and workmanship, provided that the unit is used under the normal operating conditions intended by the manufacturer.

This warranty is available only to the person to whom the unit was originally sold by Danby Products Limited (Canada) or Danby Products Inc. (U.S.A.) (hereafter "Danby") or by an authorized distributor of Danby, and is non-transferable.

TERMS OF WARRANTY

Plastic parts, are warranted for thirty (30) days only from purchase date, with no extensions provided.

First 18 months During the first eighteen (18) months, any functional parts of this product found to be defective, will be repaired or replaced, at warrantor's option, at no charge to the ORIGINAL purchaser.

To obtain service Danby reserves the right to limit the boundaries of "In Home Service" to the proximity of an Authorized Service Depot. Any appliance requiring service outside the limited boundaries of "In Home Service", it will be the consumer's responsibility to transport the appliance (at their own expense) to the original retailer (point of purchase) or a service depot for repair. See "Boundaries of In Home Service" below. Contact your dealer from whom your unit was purchased, or contact your nearest authorized Danby service depot, where service must be performed by a qualified service technician. If service is performed on the unit by anyone other than an authorized service depot, or the unit is used for commercial application, all obligations of Danby under this warranty shall be void.

Boundaries of In Home Service If the appliance is installed in a location that is 100 kilometers (62 miles) or more from the nearest service center your unit must be delivered to the nearest authorized Danby Service Depot, as service must only be performed by a technician qualified and certified for warranty service by Danby. Transportation charges to and from the service location are not protected by this warranty and are the responsibility of the purchaser.

Nothing within this warranty shall imply that Danby will be responsible or liable for any spoilage or damage to food or other contents of this appliance, whether due to any defect of the appliance, or its use, whether proper or improper.

EXCLUSIONS

Save as herein provided, by Danby, there are no other warranties, conditions, representations or guarantees, express or implied, made or intended by Danby or its authorized distributors and all other warranties, conditions, representations or guarantees, including any warranties, conditions, representations or guarantees under any Sale of Goods Act or like legislation or statute is hereby expressly excluded. Save as herein provided, Danby shall not be responsible for any damages to persons or property, including the unit itself, howsoever caused or any consequential damages arising from the malfunction of the unit and by the purchase of the unit, the purchaser does hereby agree to indemnify and hold harmless Danby from any claim for damages to persons or property caused by the unit.

GENERAL PROVISIONS

No warranty or insurance herein contained or set out shall apply when damage or repair is caused by any of the following:

- 1) Power failure.
- 2) Damage in transit or when moving the appliance.
- 3) Improper power supply such as low voltage, defective house wiring or inadequate fuses.
- 4) Accident, alteration, abuse or misuse of the appliance such as inadequate air circulation in the room or abnormal operating conditions (extremely high or low room temperature).
- 5) Use for commercial or industrial purposes (ie. If the appliance is not installed in a domestic residence).
- 6) Fire, water damage, theft, war, riot, hostility, acts of God such as hurricanes, floods etc.
- 7) Service calls resulting in customer education.
- 8) Improper Installation (ie. Building-in of a free standing appliance or using an appliance outdoors that is not approved for outdoor application).

Proof of purchase date will be required for warranty claims; so, please retain bills of sale. In the event warranty service is required, present this document to our AUTHORIZED SERVICE DEPOT.

Warranty Service
In-home

Danby Products Limited
PO Box 1778, Guelph, Ontario, Canada N1H 6Z9
Telephone: (519) 837-0920 FAX: (519) 837-0449

1-800-263-2629
07/13

Danby Products Inc.
PO Box 669, Findlay, Ohio, U.S.A. 45840
Telephone: (419) 425-8627 FAX: (419) 425-8629

RENSEIGNEMENTS IMPORTANTS RELATIFS À LA SÉCURITÉ

LIRE ABSOLUMENT TOUTES LES INSTRUCTIONS DE SÉCURITÉ AVANT L'EMPLOI

EXIGENCES ÉLECTRIQUES

Cet appareil doit être mis à la terre. En cas de court-circuit, la mise à la terre réduit les risques de décharge électrique en fournissant un échappatoire au courant électrique.

Cet appareil électroménager comprend un cordon muni d'un fil et d'une fiche de mise à la terre. Branchez la fiche dans une prise de courant correctement installée et mise à la terre.

AVERTISSEMENT

Une mauvaise utilisation de la fiche de mise à la terre peut entraîner un risque de choc électrique. Consultez un électricien ou un préposé à l'entretien qualifié s'il est difficile de comprendre les directives relatives à la mise à la terre, ou si des doutes subsistent quant à la mise à la terre correcte de l'appareil.

N'UTILISER JAMAIS DE FIL DE RALLONGE

S'il est possible, brancher le réfrigérateur à son propre circuit. Ne branchez pas votre réfrigérateur-congélateur à une rallonge ou dans la même prise murale avec un autre appareil ménager. Une connexion desserrée peut se doubler à un autre appareil dans la même prise murale.

PRÉCAUTION IMPORTANTE : un réfrigérateur-congélateur vide est une attraction qui peut être dangereuse pour les enfants. Enlever soit les joints étanches, les loquets, les couvercles ou les portes des appareils qui ne sont pas utilisés, ou faites en sorte que l'appareil ne présente aucun danger.

DANGER: Des enfants pourraient rester enfermés dans l'appareil! Avant de jeter votre ancien réfrigérateur-congélateur :

- Enlevez les portes
- Laissez les clayettes à leur place afin que des enfants ne puissent pas monter facilement dans l'appareil.

RANGÉZ CES INSTRUCTIONS SOIGNEUSEMENT

NOTICE D'INSTALLATION

EMPLACEMENT

Enlever les emballages extérieur et intérieur. Essuyer complètement l'extérieur avec un linge doux et sec et l'intérieur avec un linge humide et tiède. Il ne faut jamais situer l'appareil dans un recoin étroit, proche d'une source d'air chaud, exposé directement aux rayons du soleil ou à l'humidité. L'air doit circuler à l'entour de l'appareil. Éloignez le réfrigérateur à au moins 5 pouces du mur.

Emplacement

- 1) Choisir un endroit où le sol est nivelé.
- 2) Considérez une distance de 5 pouces entre l'arrière du réfrigérateur et tout mur adjacent.
- 3) Évitez l'exposition directe aux rayons du soleil et à la chaleur. Les rayons du soleil peuvent affecter la surface en acrylique. Les sources de chaleur proches augmentent la consommation d'électricité.
- 4) Évitez les endroits humides. Une humidité élevée dans l'air occasionne la formation rapide de givre sur l'évaporateur et par conséquent votre réfrigérateur devra être dégivré fréquemment.

Ventilation murale

Une bonne ventilation est nécessaire autour du réfrigérateur pour faciliter la dissipation de la chaleur, pour un meilleur rendement des équipements de réfrigération, et pour une faible consommation d'électricité. Pour ces raisons, un espace suffisant pour laisser circuler l'air autour du réfrigérateur est absolument nécessaire. L'arrière requiert 10 cm et le dessus 20 cm sans obstruction. Un espace dégagé devrait être laissé pour pouvoir ouvrir ses portes à 160 degrés.

Alimentation électrique

Le réfrigérateur dispose d'une alimentation de 115V~/60Hz. Il doit avoir sa propre prise de courant et ne pas la partager avec d'autres appareils électriques. Sa fiche avec mise à la terre doit correspondre exactement à la même prise avec mise à la terre.

INSTRUCTIONS POUR L'INSTALLATION

Cordon d'alimentation électrique

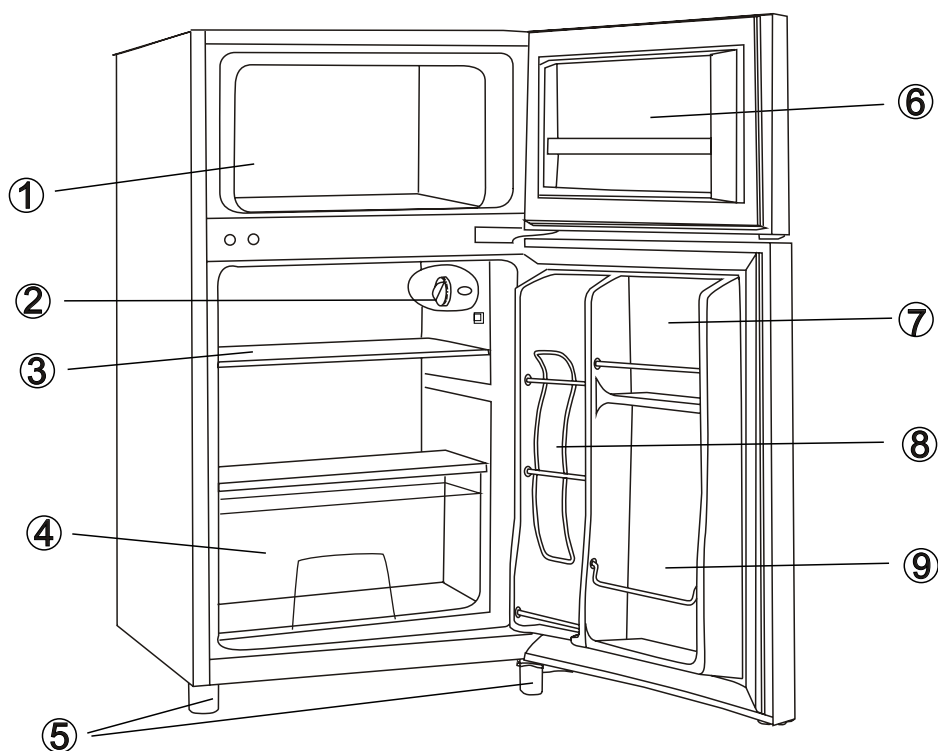
On ne doit pas ajouter une rallonge électrique et le cordon électrique ne doit pas être roulé en bobine lorsque l'appareil est en marche. Le plus important est que le cordon doit être tenu à l'écart du compresseur à l'arrière du réfrigérateur.

La température de surface est assez élevée lors du fonctionnement. Le contact avec celui-ci affaiblirait l'isolation.

Protection contre la moisissure

Évitez de placer le réfrigérateur dans un endroit très humide afin de minimiser la formation de rouille sur les pièces métalliques. Par ailleurs, le réfrigérateur ne peut pas être directement aspergé d'eau, sinon, l'isolation pourrait être réduite et un court-circuit pourrait se produire si les composants électriques sont mouillés.

PIÈCES DÉTACHÉES ET LEUR FONCTION

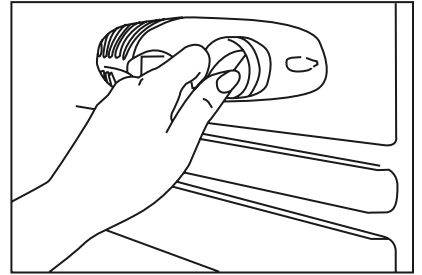


1. Compartiment de congélation
2. Contrôle de la température (avec montage intégré d'une lumière intérieure)
3. Clayette métallique (1 au total)
4. Compartiment à fruits et légumes avec couvercle en verre
5. Pieds de nivellement
6. Casier de rangement dans la porte du congélateur
7. Casier de rangement dans la porte du réfrigérateur
8. Distributeur de canettes
9. Casier pour bouteille de 2 litres

MODE D'EMPLOI

RÉGLAGE DE LA TEMPÉRATURE

- La première fois que vous allumez l'appareil, réglez le contrôle de la température à « 7 », la température la plus froide.
- Le contrôle de température va de la position « 0 » c.-à-d. PAS DE REFROIDISSEMENT à la position « 7 », la température la plus froide. Après 24 à 48 heures, ajustez le thermostat à la température qui correspond le mieux à vos besoins. La position « 4 » est celle qui convient pour l'utilisation du réfrigérateur à la maison ou au bureau.



REMARQUE :

- LORSQUE L'APPAREIL EST DÉBRANCHÉ, QUE LE COURANT EST COUPÉ OU QU'IL EST ARRÊTÉ, IL FAUT ATTENDRE DE 3 À 5 MINUTES AVANT DE LE REMETTRE EN MARCHÉ. EN CAS DE TENTATIVE DE REMISE EN MARCHÉ AVANT QUE CE LAPSE DE TEMPS SE SOIT ÉCOULÉ, LE RÉFRIGÉRATEUR-CONGÉLATEUR NE SE REMETTRA PAS EN MARCHÉ.
- TOURNER LE THERMOSTAT SUR LA POSITION « 0 » ARRÊTE LE CYCLE DE REFROIDISSEMENT, MAIS NE COUPE PAS L'ALIMENTATION ÉLECTRIQUE DE L'UNITÉ.

LAMPE INTÉRIEURE

Lorsque vous ouvrez la porte, la lumière s'allume automatiquement. Lorsque vous fermez la porte, la lumière s'éteint automatiquement.

DÉGIVRER VOTRE APPAREIL

- **Quand?** Pour un fonctionnement efficace et une consommation d'énergie minimale, dégivrez le congélateur lorsque le givre sur les murs de l'appareil atteint plus de 1/4 de pouce d'épaisseur. Nul besoin de dégivrer la partie réfrigérateur, car les dépôts de glace se formant sur la paroi arrière intérieure sont dégivrés de manière automatique. Il se peut que de la glace se dépose sur la paroi intérieure arrière lorsque que le compresseur est en marche. Par contre, si le compresseur n'est pas en état de marche, la glace sera dégivrée et les gouttes d'eau seront recueillies. Elles sont évacuées par la sortie de la paroi arrière intérieure et se déversent dans le bac situé au-dessus du compresseur, d'où elles s'évaporent.

- **Comment?**

MISE EN GARDE

N'utilisez pas d'eau bouillante car elle pourrait abîmer les pièces en plastique. Aussi, n'utilisez jamais d'instrument pointu ou métallique pour enlever le givre car vous pourriez endommager les serpentins de refroidissement et par conséquent annuler la garantie. Nous vous recommandons d'utiliser un grattoir en plastique.

- Remettez le thermostat à la position « 0 » et débranchez l'appareil.
- Retirez les aliments congelés de l'appareil et placez-les dans une glacière pour les garder au frais.
- Laissez la porte ouverte assez longtemps pour ramollir le givre pour pouvoir le retirer facilement à l'aide d'un grattoir.
- Utilisez un grattoir en plastique, mais attention à ne pas endommager les surfaces intérieures du congélateur.
- Avant qu'ils ne soient complètement décongelés, essuyez le givre et la glace.

MODE D'EMPLOI

CONGÉLATION DES DENRÉES FRAÎCHES

- Utiliser convenablement l'appareil, emballer les aliments adéquatement, ajuster la température correctement et tenir compte de précautions d'hygiène adéquates influencera de façon substantielle la qualité des aliments congelés.
- La durée de conservation des aliments congelés varie, par conséquent on ne doit pas dépasser la période d'entreposage maximale recommandée.
- Les aliments congelés pré-emballés commercialement doivent être entreposés conformément aux instructions du fabricant de produits congelés.
- Placez les aliments congelés au congélateur le plus rapidement possible après l'achat. Lorsque l'emballage comporte des indications, observez-les de manière stricte en ce qui touche les périodes de conservation.
- Choisir soigneusement la nourriture que vous avez l'intention de congeler, elle doit être de bonne qualité et être adaptée à la congélation.
- Utilisez l'emballage qui convient et enveloppez les aliments hermétiquement.
- L'emballage doit être hermétique et ne devrait pas avoir de fuites car cela pourrait causer une perte de vitamines importante et la déshydratation des aliments.
- Les feuilles d'emballage et les sacs doivent être relativement souples pour bien envelopper la nourriture.
- Lorsque vous préparez des aliments pour les mettre au congélateur, prenez toutes les précautions sanitaires.
- Inscrivez les données suivantes sur tous les emballages: type et quantité de nourriture, et date d'entreposage.
- Il est extrêmement important que la nourriture soit congelée le plus vite possible.
- Si le congélateur est rempli, l'efficacité de la congélation est réduite, ce qui affecte la qualité des aliments congelés.

MISES EN GARDE

Assurez-vous que la tension utilisée dans la maison est la même que la tension documentée de l'appareil.

L'eau présente dans les aliments ou dans l'air à l'intérieur du réfrigérateur est causée par l'ouverture des portes et peut former une couche de givre à l'intérieur. Le réfrigérateur sera moins performant si le givre est important. Le réfrigérateur a un dégivrage automatique. L'eau de dégivrage s'écoule dans le plateau de collecte d'eau à travers l'orifice de fuite et s'évapore grâce à la chaleur du compresseur.

Si le cordon d'alimentation de cet appareil est endommagé, il doit être remplacé uniquement dans un atelier de réparation désigné par le fabricant, car des outils spéciaux sont requis.

Il est dangereux de modifier les spécifications de ce produit ou de tenter de modifier celui-ci de quelque façon que ce soit.

Lorsque vous remplacez l'ampoule ou quand votre réfrigérateur n'est pas utilisé lors de longues périodes, débranchez-le.

Attendez 5 minutes avant de redémarrer l'appareil s'il y a eu une panne d'électricité.

Pour réduire le risque potentiel de choc électrique, cet appareil est équipé d'une prise de mise à la terre et doit être connecté à une prise de terre.

DIRECTIVES POUR L'INVERSION DE LA PORTE

Ce réfrigérateur a été construit avec les charnières de porte à droite. Si vous souhaitez changer le sens d'ouverture des portes, veuillez lire attentivement les instructions ci-dessous :

1. Retirez le petit couvercle en plastique (7) et les vis (6) du haut de l'appareil pour démonter le couvercle supérieur.
2. Retirez les deux vis (1) qui retiennent la charnière supérieure (5) (droite) à l'armoire. Ôtez la charnière supérieure (5).
3. Soulevez la porte et placez-la sur une surface rembourrée pour éviter de l'égratigner.
4. Retirez les deux vis (8) qui retiennent la charnière inférieure (2) et veillez à retirer la charnière inférieure (2).
5. Retirez le pied avant gauche (4) et transférez-le sur le côté droit.
6. Avant de placer cette charnière inférieure (2), enlevez le gond à boulon (9) et inversez le sens de la charnière inférieure (2). Ensuite, installez avec deux vis la charnière inférieure (2) sur le côté gauche du bas de l'armoire.
7. Insérez le gond à boulon (9) sur la charnière inférieure (2).
8. Mettez la porte à sa place en vous assurant que l'assise de la porte se trouve à la charnière inférieure (2).
9. Tout en maintenant la porte en position fermée, sécurisez avec deux vis la charnière supérieure (5) dans le cadre supérieur du côté gauche (1). Rappelez-vous d'attendre que le haut de la porte soit nivelé avec le couvercle supérieur pour serrer les deux vis (1).
10. Vissez le couvercle supérieur sur le haut de l'armoire du réfrigérateur(6) et fixez le petit couvercle en plastique (7).

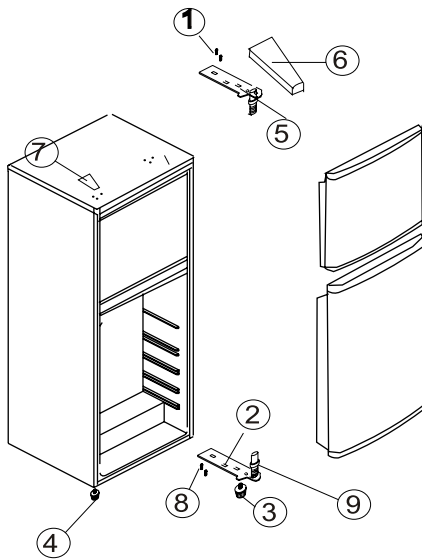


Fig. 1

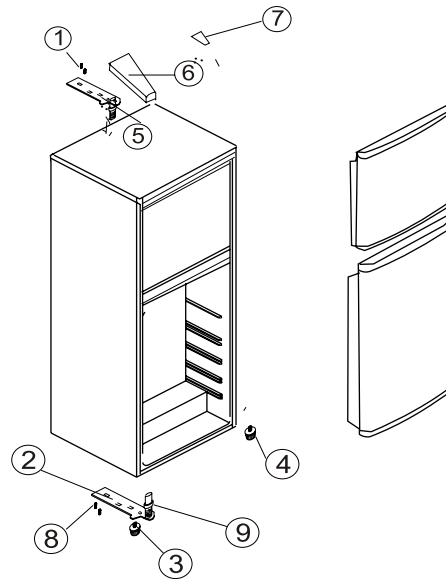


Fig. 2

FIGURE 1	Représente la position des composants avant l'inversion de la porte
FIGURE 2	Représente la position des composants après l'inversion de la porte

NETTOYAGE DE L'APPAREIL

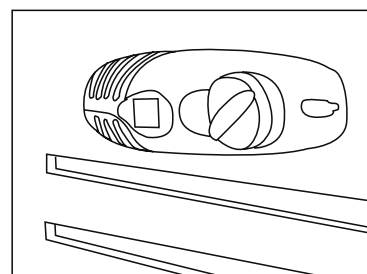
- Tournez le thermostat à « 0 », débranchez l'appareil et retirez les accessoires intérieurs.
- Lavez l'intérieur au bicarbonate de soude dilué dans de l'eau chaude. La solution doit contenir 2 cuillerées à soupe de bicarbonate de soude pour un litre d'eau.
- Lavez les accessoires intérieurs avec une solution de détergent non abrasif.
- L'extérieur de l'appareil doit être nettoyé à l'aide d'un détergent doux dilué dans de l'eau chaude.

MISE EN GARDE

Ne pas débrancher le réfrigérateur-congélateur pourrait vous exposer à un risque de choc électrique ou de blessure corporelle.

CHANGEMENT DE L'AMPOULE

- Débranchez le cordon d'alimentation du mur.
- Retirez la vis qui maintient le couvercle de l'ampoule.
- Avant de la retirer, assurez-vous que l'ampoule a refroidi.
- Pressez simultanément les onglets en haut et en bas de la couverture de l'ampoule
- Retirez le couvercle de l'ampoule.
- Dévissez l'ampoule.
- Remplacez-la par une ampoule de 10 watts qui est de la même forme et de la même taille.
- Replacez le couvercle sur l'ampoule.



PANNE DE COURANT

La plupart des pannes de courant ne durent que quelques heures et ne devraient pas modifier la température de votre réfrigérateur-congélateur si vous réduisez au minimum le nombre de fois où la porte est ouverte. Si le courant reste coupé pendant une longue période, il faut prendre des mesures pour protéger les aliments de l'appareil.

PÉRIODE DE VACANCES

Des vacances de courte durée : Laissez l'appareil fonctionner normalement pendant des vacances de moins de trois semaines.

Des vacances de longue durée : Si l'appareil ne sera pas utilisé pendant plusieurs mois, videz-le de tous ses aliments et débranchez la fiche d'alimentation. Nettoyez et asséchez minutieusement l'intérieur. Pour éviter les odeurs et le développement de moisissures, laissez la porte entrouverte : la coincer au besoin.

DÉPANNAGE

Il peut arriver qu'un problème mineur se produise qui ne nécessite pas d'appel de service : consultez ce guide de dépannage pour trouver une solution possible. Si l'appareil continue de mal fonctionner, appelez un atelier de réparation autorisé ou **composez le numéro sans frais de Danby 1-800-263-2629** pour obtenir de l'aide.

PROBLÈME	SOLUTION
Lorsque le réfrigérateur ne fonctionne pas.	Vérifiez pour voir s'il y a une panne de courant. Vérifiez si la fiche d'alimentation est branchée dans la prise électrique. Vérifiez si le fusible a sauté.
Lorsque le réfrigérateur est trop froid.	Le thermostat est peut-être réglé à une température trop basse. Si vous placez de la nourriture contenant beaucoup d'humidité directement sous les prises d'air frais, elle gèlera facilement. Ceci n'est pas l'indication d'un mauvais fonctionnement.
Lorsque le réfrigérateur n'est pas assez froid.	S'il la nourriture n'est pas espacée convenablement, l'air frais ne pourra circuler. Vous pouvez avoir placé soit trop de nourriture à la fois, soit quelque chose de chaud dans le réfrigérateur. Il se peut que la porte n'ait pas été fermée totalement. Les joints de la porte sont peut-être endommagés. Le réfrigérateur n'est pas ventilé suffisamment. Il n'y a pas assez d'espace entre le réfrigérateur et les autres surfaces. Le thermostat peut ne pas être réglé correctement.
Lorsque l'eau de dégivrage déborde à l'intérieur du réfrigérateur et sur le plancher.	Vérifiez que le conduit d'évacuation et le tuyau de vidange ne sont pas obstrués. Vérifiez que le plateau de dégivrage est situé correctement.
Lorsque de la condensation se forme sur l'extérieur du réfrigérateur.	Il se peut que de la condensation se forme sur l'extérieur lorsque l'humidité de l'air est élevée (au cours d'une saison humide). C'est le même type de condensation que lorsque de l'eau glacée est versée dans un verre. Ceci n'est pas l'indication d'un mauvais fonctionnement. Essayez à l'aide d'un chiffon sec.
Lorsque vous entendez comme si de l'eau coulait.	Si vous entendez un bruit comme si de l'eau était en train de couler, c'est en fait le bruit du réfrigérant qui circule. Ceci n'est pas l'indication d'un mauvais fonctionnement.
Lorsque le panneau latéral de l'armoire se réchauffe.	Le panneau latéral de l'armoire se réchauffe lorsque la porte est ouverte ou fermée fréquemment, lors du démarrage de l'appareil et lorsque l'appareil fonctionne en été avec une température extérieure élevée. Dans de tels cas, ne pas toucher le panneau. Plus le compresseur travaille, plus les côtés de l'unité seront chauds et plus ils le resteront.

GARANTIE LIMITÉE SUR APPAREIL ÉLECTROMÉNAGER À DOMICILE

Cet appareil de qualité est garanti exempt de tout vice de matière première et de fabrication, s'il est utilisé dans les conditions normales recommandées par le fabricant.

Cette garantie n'est offerte qu'à l'acheteur initial de l'appareil vendu par Danby Products Limited (Canada) ou Danby Products Inc. (E.- U.A.) (ci-après « Danby ») ou par l'un des ses distributeurs agréés et elle ne peut être transférée.

CONDITIONS

Les pièces en plastique sont garanties pour trente (30) jours seulement à partir de la date de l'achat, sans aucune prolongation prévue.

Premiers 18 mois Pendant les premiers dix-huit (18) mois, toutes pièces fonctionnelles de ce produit qui s'avèrent défectueuses seront réparées ou remplacées, selon le choix du garant, sans frais à l'acheteur INITIAL.

Pour bénéficiaire du service Le client sera responsable pour le transport et tous les frais d'expédition de tout appareil exigeant le service au dépôt de service autorisé le plus proche. S'adresser au détaillant qui a vendu l'appareil, ou à la station technique agréée de service la plus proche, où les réparations doivent être effectuées par un technicien qualifié. Si les réparations sont effectuées par quiconque autre que la station de service agréée où à des fins commerciales, toutes les obligations de Danby en vertu de cette garantie seront annulées.

Limites de l'entretien à domicile Si l'appareil est installé à plus de 100 kilomètres (62 milles) du centre de service le plus proche, il doit être livré à l'atelier de réparation autorisé par Danby le plus proche, car l'entretien doit uniquement être réalisé par un technicien qualifié et certifié pour effectuer un entretien couvert par la garantie de Danby. Les frais de transport entre votre domicile et le lieu de l'entretien ne sont pas couverts par la présente garantie et doivent être acquittés par l'acheteur.

Aucune partie de la garantie ne prévoit implicitement que le fabricant sera tenu responsable des dommages subis par les aliments ou d'autres types de contenu, qu'ils soient causés par la défectuosité de l'appareil ou par son usage adéquat ou inadéquat.

EXCLUSIONS

En vertu de la présente, il n'existe aucune autre garantie, condition ou représentation, qu'elle soit exprimée ou tacite, de façon manifeste ou intentionnelle, par Danby ou ses distributeurs agréés. De même, sont exclues toutes les autres garanties, conditions ou représentations, y compris les garanties, conditions ou représentations en vertu de toute loi régissant la vente de produits ou de toute autre législation ou règlement semblables. En vertu de la présente, Danby ne peut être tenue responsable en cas de blessures corporelles ou des dégâts matériels, y compris à l'appareil, quelle qu'en soit les causes. Danby ne peut pas être tenue responsable des dommages indirects dus au fonctionnement défectueux de l'appareil. En achetant l'appareil, l'acheteur accepte de mettre à couvert et de dégager Danby de toute responsabilité en cas de réclamation pour toute blessure corporelle ou tout dégât matériel causé par cet appareil.

CONDITIONS GÉNÉRALES

La garantie ou assurance ci-dessus ne s'applique pas si les dégâts ou réparations sont dus aux cas suivants :

- 1) Panne de courant.
- 2) Dommages subis pendant le transport ou le déplacement de l'appareil.
- 3) Alimentation électrique incorrecte (tension faible, câblage défectueux, fusibles incorrects).
- 4) Accident, modification, emploi abusif ou incorrect de l'appareil tel qu'une circulation d'air inadéquate dans la pièce ou des conditions de fonctionnement anormales (température extrêmement élevée ou basse).
- 5) Utilisation dans un but commercial ou industriel (à savoir, si l'appareil n'est pas installé dans un domicile résidentiel).
- 6) Incendie, dommages causés par l'eau, vol, guerre, émeute, hostilités, cas de force majeure (ouragan, inondation, etc.).
- 7) Visites d'un technicien pour expliquer le fonctionnement de l'appareil au propriétaire.
- 8) Installation inappropriée (par exemple, encastrement d'un appareil autoportant, ou utilisation extérieure d'un appareil non conçu à cet effet). Une preuve d'achat doit être présentée pour toute demande de réparation sous garantie. Prière de garder le reçu. Pour faire honorer la garantie, présenter ce document à la station technique agréée ou s'adresser à :

Service sous garantie
Service au domicile

Danby Products Limited
PO Box 1778, Guelph, Ontario, Canada N1H 6Z9
Téléphone : (519) 837-0920 Télécopieur: (519) 837-0449

1-800-263-2629
02/14

Danby Products Inc.
PO Box 669, Findlay, Ohio, U.S.A. 45840
Téléphone: (419) 425-8627 Télécopieur: (419) 425-8629

INFORMACIÓN DE SEGURIDAD IMPORTANTE

LEA TODA LA INFORMACIÓN SOBRE SEGURIDAD ANTES DE UTILIZAR EL EQUIPO

REQUISITOS ELÉCTRICOS

Este aparato electrodoméstico debe estar conectado a tierra. En caso de un cortocircuito eléctrico, la conexión a tierra reduce el riesgo de choque eléctrico proporcionando un cable de escape para la corriente eléctrica.

El cordón de este aparato tiene un conductor de tierra y un enchufe de tierra. Este enchufe debe estar enchufado en un tomacorriente instalado correctamente y conectado a tierra.

ADVERTENCIA

El uso inadecuado del enchufe de conexión a tierra puede resultar en un riesgo de descarga eléctrica. Consulte con un electricista o técnico calificado si no entiende bien las instrucciones de conexión a tierra o si duda que el aparato esté debidamente conectado a tierra.

NO USE UN CORDÓN DE PROLONGACIÓN ELÉCTRICA

Use un tomacorriente de pared exclusivo. No conecte su refrigerador-congelador a cables de prolongación eléctrica ni junto a cualquier otro electrodoméstico en el mismo tomacorriente de pared. No empalme el cordón.

ADVERTENCIA IMPORTANTE Un refrigerador-congelador vacío es una atracción muy peligrosa para los niños. Saque todas las juntas, pestillos, tapas o la puerta de todo electrodoméstico que no esté en uso, o tome alguna medida para asegurar que no presente peligro.

PELIGRO: ¡Riesgo de que los niños queden atrapados en el interior! Antes de desechar su antiguo refrigerador/ congelador:

- Quite las puertas
- Deje los estantes en sus lugares exactos a fin de que los niños no puedan subir fácilmente a la unidad.

GUARDE ESTAS INSTRUCCIONES

INSTRUCCIONES DE INSTALACIÓN

UBICACIÓN

Saque el embalaje exterior e interior, limpie el exterior bien con un paño suave seco y el interior con un paño húmedo y tibio. Evite colocar la unidad en un hueco estrecho o cerca de una fuente de calor, luz de sol directa, o lugar húmedo. Deje que el aire circule libremente alrededor de la unidad. Mantenga la parte posterior del refrigerador a 5 pulgadas de la pared.

Ubicación

- 1) Elija un lugar con un piso parejo.
- 2) Deje un espacio de 5 pulgadas entre la parte trasera del refrigerador y cualquier pared adyacente.
- 3) Evite la luz solar directa y el calor. La luz directa del sol puede afectar la capa de acrílico. Las fuentes de calor en su proximidad causarán un consumo mayor de electricidad.
- 4) Evite los lugares húmedos. Demasiada humedad en el aire hará que se acumule escarcha rápidamente en el evaporador y deberá descongelar su refrigerador con mayor frecuencia.

Ventilación de la pared

Es necesario que haya una buena ventilación alrededor del refrigerador para una fácil disipación del calor, alta eficiencia de refrigeración y bajo consumo de electricidad. Por eso, se necesita suficiente espacio aéreo alrededor del refrigerador. No debe haber ninguna obstrucción 10 cm hacia atrás ni 20 cm hacia arriba del refrigerador. Se debe dejar un espacio vacío para abrir las puertas a 160 grados.

Suministro eléctrico

El refrigerador tiene una alimentación eléctrica de 115 V~/60 Hz. No debe compartir un tomacorriente con otros electrodomésticos. Su enchufe y cable de tierra deben ser adecuados para el tomacorriente utilizado.

INSTRUCCIONES DE INSTALACIÓN

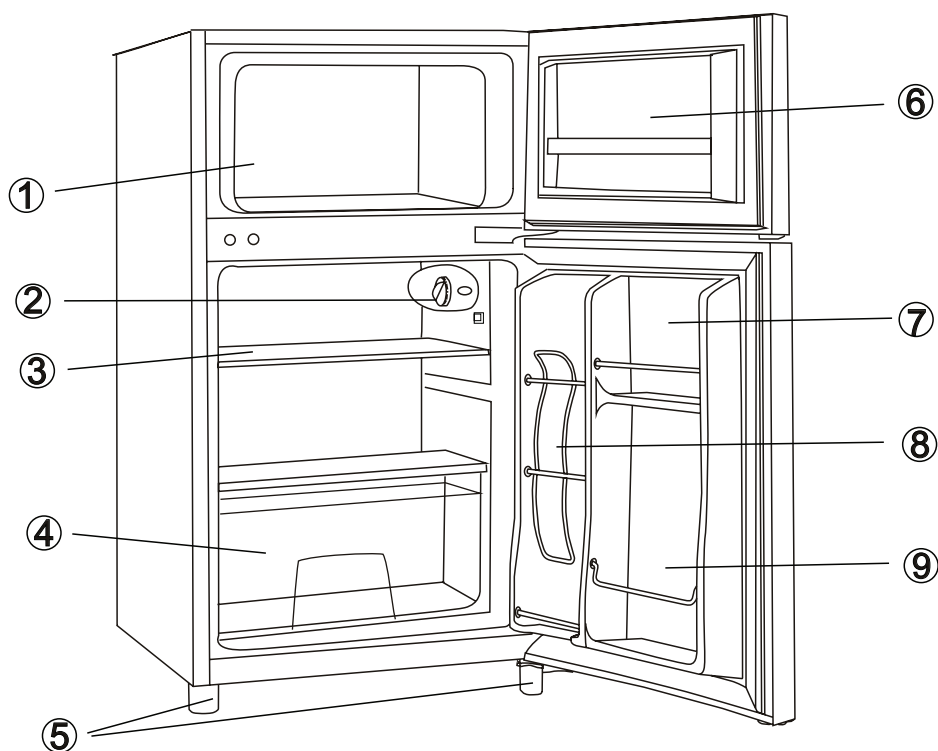
Cable de alimentación eléctrica

El cable no debe prolongarse ni enrollarse durante el funcionamiento. Lo que es más importante, el cable debe mantenerse alejado del compresor ubicado en la parte trasera del refrigerador. La temperatura de la superficie es bastante alta durante el funcionamiento. El contacto con ella debilitaría el aislamiento.

Protección contra la humedad

Evite colocar el refrigerador en un lugar donde haya mucha humedad para minimizar la posibilidad de que las partes metálicas se oxiden. Además, el refrigerador no puede rociarse directamente con agua; de lo contrario, puede producirse una reducción del aislamiento y un cortocircuito eléctrico si los componentes eléctricos quedan expuestos.

PIEZAS Y CARACTERÍSTICAS

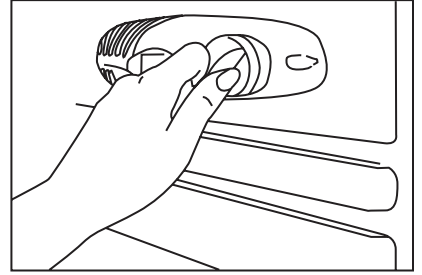


1. Compartimento del congelador
2. Control de temperatura (con unidad de luz interior integrada)
3. Estante de alambre (Total 1)
4. Cajón para frutas y verduras con cubierta de vidrio
5. Pata niveladora
6. Contenedor de la puerta del congelador
7. Contenedor de la puerta del refrigerador
8. Dispensador de latas de bebidas
9. Contenedor para botellas de 2 litros

INSTRUCCIONES DE OPERACIÓN

CÓMO GRADUAR LA TEMPERATURA REMOTO

- Cuando encienda la unidad por primera vez, fije el control de temperatura en la posición "7", la configuración más fría.
- El rango de controles de temperatura va desde la posición "0" o SIN REFRIGERACIÓN hasta "7", la temperatura más fría. Después de 24 a 48 horas, ajuste el control de temperatura según la configuración más acorde a sus necesidades. La configuración "4" debería ser satisfactoria para un refrigerador doméstico o de oficina.



Nota:

- SI LA UNIDAD SE DESENCHUFA, PERDIÓ POTENCIA O SE APAGÓ, DEBE ESPERAR ENTRE 3 Y 5 MINUTOS PARA VOLVER A ENCENDERLA. SI INTENTA HACERLO ANTES DEL TIEMPO SEÑALADO, EL REFRIGERADOR-CONGELADOR NO SE ENCENDERÁ.
- AL GIRAR EL CONTROL DE TEMPERATURA DEL REFRIGERADOR A LA POSICIÓN "0", SE INTERRUMPIRÁ EL CICLO DE REFRIGERACIÓN, PERO NO SE APAGARÁ LA UNIDAD.

LUZ INTERIOR

Cuando abra la puerta, la luz se encenderá automáticamente. Cuando cierre la puerta, la luz se apagará automáticamente.

CÓMO DESCONGELAR EL ELECTRODOMÉSTICO

- **¿Cuándo?** Para lograr el funcionamiento más eficiente y el mínimo consumo de energía, descongele el compartimento del congelador cuando la escarcha en las paredes del electrodoméstico tenga más de 1/4 pulgada de espesor. No es necesario descongelar el compartimento del refrigerador, porque el hielo que se deposita en la pared interior trasera se descongela automáticamente. El hielo puede depositarse en la pared interior trasera durante el funcionamiento del compresor. Sin embargo, cuando el compresor no funcione, el hielo se descongelará y el agua caída se acumulará. Se escurrirá por la salida ubicada en la pared interior trasera hacia la bandeja de drenaje ubicada sobre el compresor, donde se evaporará.

- **¿Cómo?**

ADVERTENCIA

No use agua hirviendo porque puede dañar las partes de plástico. Por otra parte, nunca use un instrumento filoso o metálico para sacar la escarcha ya que puede dañar el serpentín de enfriamiento y anular la garantía. Recomendamos usar un raspador de plástico.

- Restablezca el termostato a la posición "0" y desconecte el suministro eléctrico.
- Saque los alimentos congelados del electrodoméstico y colóquelos en una nevera para protegerlos.
- Deje la puerta abierta el tiempo suficiente para ablandar la escarcha y poder sacarla raspando.
- Use un raspador de plástico, pero tenga cuidado de no dañar las superficies interiores del congelador.
- Limpie la escarcha y el hielo raspados antes de que se descongelen por completo.

INSTRUCCIONES DE USO

CÓMO CONGELAR ALIMENTOS FRESCOS

- Usar correctamente el electrodoméstico, envolver bien los alimentos, fijar la temperatura correcta y observar la higiene adecuada influirá sustancialmente en la calidad de los alimentos congelados.
- El período de almacenamiento de los alimentos congelados varía y no debe superarse el tiempo recomendado.
- Los alimentos congelados que se venden empaquetados deben almacenarse de acuerdo con las instrucciones del fabricante de esos alimentos.
- Coloque los alimentos congelados en el congelador lo más pronto posible después de haberlos comprado. Si el paquete trae instrucciones, lea con atención aquellas relacionadas con los tiempos de almacenamiento.
- Seleccione cuidadosamente los alimentos que desee congelar; deben tener la calidad adecuada y ser apropiados para congelar.
- Use el envase correcto y envuelva herméticamente los alimentos.
- El envase debe ser hermético y sin fugas porque esto podría provocar una pérdida sustancial de vitaminas y la deshidratación de los alimentos.
- Los envoltorios de aluminio y las bolsas deben ser lo suficientemente suaves como para envolver herméticamente los alimentos.
- Cuando prepare los alimentos para congelar, tenga en cuenta las precauciones sanitarias.
- Marque todos los paquetes con los siguientes datos: tipo y cantidad de alimento, y fecha de almacenamiento.
- Es sumamente importante que los alimentos se congelen lo antes posible.
- Si la cantidad de alimentos cargada es demasiada, la eficiencia del congelamiento se reducirá, lo que afecta la calidad de los alimentos congelados.

PRECAUCIONES

Asegúrese de que el voltaje usado en la vivienda sea el mismo que el indicado en el electrodoméstico.

El abrir la puerta del refrigerador puede hacer que se acumule agua en los alimentos o en el aire dentro del refrigerador, lo que puede formar una capa de escarcha en el interior. El funcionamiento del refrigerador se verá afectado cuando haya una capa gruesa de escarcha. El refrigerador puede descongelarse automáticamente. El agua descongelada fluye hacia la bandeja de recolección de agua, por el puerto de drenaje, y se evapora por el calor del compresor.

Si el cable de suministro de este electrodoméstico está dañado, debe ser cambiado únicamente por un servicio de reparación designado por el fabricante, ya que se necesitan herramientas especiales.

Es peligroso alterar las especificaciones o intentar modificar este producto de cualquier manera.

Cuando cambie las bombillas de luz o cuando el refrigerador no se use durante períodos prolongados, desconéctelo del suministro eléctrico.

Espere 5 minutos para volver a encender la unidad después de una interrupción del suministro eléctrico.

Para reducir el posible riesgo de descarga eléctrica, este electrodoméstico cuenta con un enchufe de conexión a tierra y debe conectarse a un tomacorriente puesto a tierra.

INSTRUCCIONES PARA CAMBIAR EL SENTIDO DE APERTURA DE LA PUERTA

Este refrigerador se construyó con las bisagras de la puerta del lado derecho. Si desea cambiar la dirección de apertura, siga las instrucciones que figuran a continuación:

1. Retire la cubierta de plástico pequeña (7) y los tornillos (6) de la parte superior del electrodoméstico para desarmar la cubierta superior.
2. Saque los dos tornillos (1) que mantienen la bisagra superior (5) (lado derecho) unida al marco. Saque la bisagra superior (5).
3. Levante la puerta y colóquela sobre una superficie acolchonada para evitar que se raye.
4. Saque los dos tornillos (8) que sostienen la bisagra inferior (2) y asegúrese de sacar la bisagra inferior (2).
5. Quite la pata delantera izquierda (4) y pásela al lado derecho.

6. Antes de colocar esta bisagra inferior (2), saque el perno-pasador (9) e invierta la dirección de la bisagra inferior (2). Luego, instale la bisagra inferior (2) en el lado izquierdo del marco inferior con dos tornillos.

7. Introduzca el perno-pasador (9) en la bisagra inferior (2).
8. Coloque la puerta en su lugar, asegurándose de que el asiento de la puerta esté en la bisagra inferior (2).
9. Manteniendo la puerta en la posición cerrada, asegure la bisagra superior (5) en el marco superior del lado izquierdo con dos tornillos (1). Recuerde no apretar los dos tornillos (1) hasta que la parte superior de la puerta esté a nivel con la cubierta superior.
10. Instale la cubierta superior sobre la parte superior del gabinete, con tornillos (6) y fije la cubierta de plástico pequeña (7).

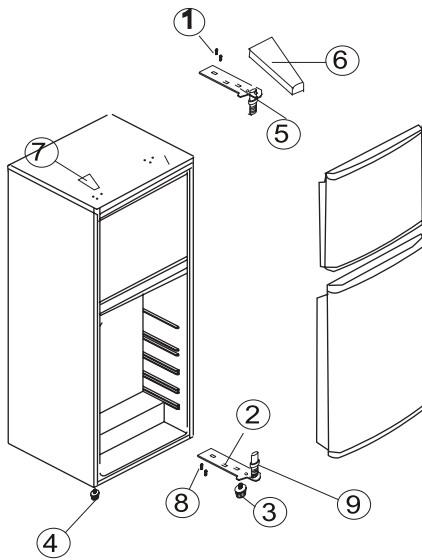


Fig. 1

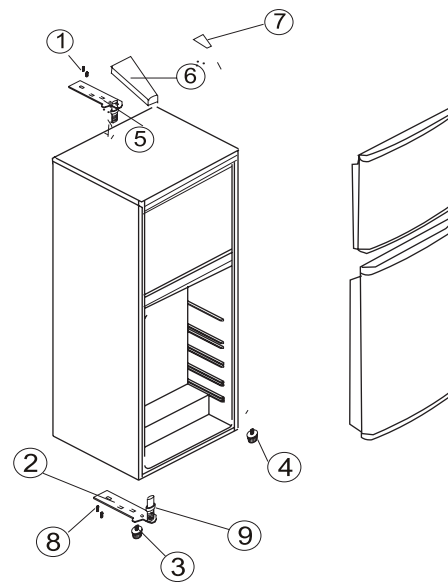


Fig. 2

FIGURA 1	Representa la posición de los componentes antes de la inversión de la puerta
FIGURA 2	Representa la posición de los componentes después de la inversión de la puerta

CUIDADO Y MANTENIMIENTO

CÓMO LIMPIAR EL ELECTRODOMÉSTICO

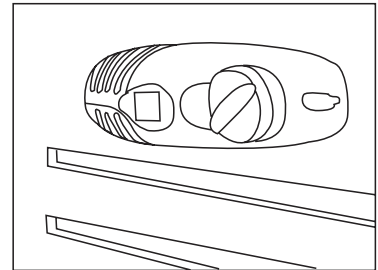
- Gire el control de temperatura a la posición "0," desenchufe la unidad y saque los accesorios del interior.
- Limpie el interior con una solución de agua tibia y bicarbonato de sodio. La solución debe contener cerca de 2 cucharadas de bicarbonato de sodio y un cuarto de galón de agua.
- Limpie los accesorios del interior con un detergente suave diluido.
- El exterior de la unidad debe limpiarse con un detergente suave y agua tibia.

ADVERTENCIA

El no desenchufar el refrigerador-congelador podría ocasionar descarga eléctrica o lesiones.

CÓMO CAMBIAR LA BOMBILLA DE LUZ

- Desenchufe el cable de alimentación de CA de la pared.
- Remueva el tornillo que sujeta la cubierta del foco.
- Asegúrese de que la bombilla de luz esté fría antes de sacarla.
- Apriete las lengüetas en la parte superior e inferior de la cubierta de la bombilla de luz en forma simultánea
- Saque la cubierta de la bombilla de luz.
- Desenrosque la bombilla.
- Cámbiela por una bombilla de 10 vatios, que sea de la misma forma y tamaño.
- Vuelva a colocar la cubierta de la bombilla de luz.



FALLAS ELÉCTRICAS

La mayoría de las fallas eléctricas se solucionan en pocas horas y no deben afectar la temperatura de su refrigerador-congelador si reduce la cantidad de veces que abre su puerta. Si la interrupción se prolonga por un período más largo, deberá tomar las medidas pertinentes para conservar sus alimentos.

VACACIONES

Vacaciones cortas: Deje la unidad funcionando durante vacaciones de menos de tres semanas.

Vacaciones largas: Si no usará el electrodoméstico durante varios meses, saque todos los alimentos y desenchufe el cable de alimentación. Limpie y seque bien el interior del equipo. Para evitar el mal olor y la proliferación de moho, deje la puerta ligeramente abierta. Si es necesario, bloquéela para mantenerla abierta.

TROUBLESHOOTING

A veces, cuando se trata de un problema de poca importancia, no es necesario llamar para pedir asistencia. Busque en la siguiente guía una posible solución. Si la unidad sigue funcionando mal, llame a un centro de servicio técnico autorizado o al número gratuito de Danby 1-800-263-2629 para recibir asistencia.

PROBLEMA	SOLUCIÓN
Cuando el refrigerador no funciona.	Verifique si hay una falla en la alimentación. Verifique si el enchufe de alimentación está enchufado en el tomacorriente. Verifique si se ha quemado el fusible.
Cuando el refrigerador enfría demasiado.	Puede que el dial de control de temperatura se haya fijado en una temperatura demasiado fría. Si coloca alimentos con mucha humedad directamente debajo de las salidas de aire frío, se congelarán fácilmente. Esto no indica que la unidad esté funcionando mal.
Cuando el refrigerador no enfría lo suficiente.	Es posible que los alimentos estén demasiado apretados, bloqueando el flujo de aire frío. Puede que haya colocado demasiados alimentos o algo caliente en el refrigerador. Es posible que la puerta no se haya cerrado correctamente. Las juntas de la puerta pueden estar dañadas. Es posible que el refrigerador no tenga ventilación suficiente. Puede que el espacio de separación entre el refrigerador y otras superficies no sea suficiente. Puede que el dial de control de temperatura no se haya fijado en la posición correcta.
Cuando el agua resultante del descongelamiento se desborda dentro del refrigerador y cae al piso.	Verifique que no haya una obstrucción en el tubo de drenaje y la manguera de drenaje. Verifique que la bandeja de drenaje esté ubicada en el lugar correcto.
Cuando se forma condensación en el exterior del refrigerador.	Es posible que se forme condensación en el exterior cuando haya mucha humedad (durante una estación húmeda). Es lo mismo que sucede con la condensación que se forma cuando se vierte agua fría en un vaso. No indica una falla. Límpiela con un trapo seco.
Cuando oye un sonido como de agua que fluye.	Si oye un sonido como de agua que fluye, se trata del refrigerante. No indica que la unidad esté funcionando mal.
Cuando el panel lateral del gabinete se calienta.	El panel lateral del gabinete se calentará cuando la puerta se abra y cierre con frecuencia, al encender la unidad y cuando la unidad funcione en verano, con altas temperaturas en el exterior. En ese caso, no toque el panel. Cuanto más tiempo funcione el compresor, más se calentarán los costados de la unidad y más tiempo permanecerán calientes.

GARANTÍA LIMITADA PARA ELECTRODOMÉSTICO

Este producto de calidad está garantizado contra defectos de fabricación, incluyendo partes y mano de obra, siempre y cuando la unidad se utilice bajo las condiciones normales de funcionamiento para las que fue diseñado. Esta garantía está solamente disponible para la persona que haya comprado originalmente esta unidad directamente de Danby Products Limited (Canada) o Danby Products Inc. (U.S.A.) (en adelante "Danby") o uno de sus distribuidores autorizados, y no es transferible.

CONDITIONS

Las piezas plásticas, se autorizan por treinta (30) días solamente a partir de la fecha de la compra, sin las extensiones proporcionadas.

- Primeros 18 meses* Durante los primeros 18 meses, cualquier parte en buen estado de este producto que resulte defectuosa, incluyendo cualquier sistema sellado, será reparado o reemplazado, a opción del fabricante, sin cargo para el comprador ORIGINAL.
- Para obtener servicio* Danby se reserva el derecho de limitar la cobertura de "Servicio en Domicilio" sujeto a la proximidad de un Taller de Servicio Autorizado. Para todo artefacto que requiera servicio fuera del área limitada de "Servicio en Domicilio", el cliente será responsable por transportar dicho artefacto hasta el Taller de Servicio Autorizado más cercano. Consulte "Límites del servicio técnico a domicilio", a continuación. Comuníquese con el distribuidor donde haya comprado la unidad, o llame al Taller de Servicio Autorizado más cercano, donde debe ser reparada por un técnico calificado. Si esta unidad es reparada en otro lugar que no sea un Taller de Servicio Autorizado, o si la unidad se utiliza para aplicaciones comerciales, Danby no se hará responsable de ninguna forma y la garantía será anulada.
- Límites del servicio técnico a domicilio* Si el electrodoméstico está instalado en un lugar que se encuentra a 100 kilómetros (62 millas) o más del centro de servicios más cercano, se debe llevar la unidad al Centro de servicios Danby autorizado más cercano, ya que dicho servicio sólo puede realizarlo un técnico calificado y certificado por Danby para prestar servicios de garantía. Los cargos por transporte desde y hacia el lugar en que se efectúe el servicio técnico no están cubiertos por esta garantía y son de responsabilidad del comprador.

Nada dentro de esta garantía implica que Danby será responsable por cualquier daño que hayan sufrido los alimentos u otros contenidos de este aparato, ya sea debido a un defecto del aparato, o su uso, adecuado o inadecuado.

EXCLUSIONES

Salvo lo aquí indicado por Danby, no existen otras garantías, condiciones o representaciones, explícitas o implícitas, concretas o intencionales por parte de Danby o sus distribuidores autorizados y todas las demás garantías, condiciones o representaciones, incluyendo cualquier garantía, condiciones o representaciones bajo cualquier Acta de Venta de Productos o legislación o estatuto similar, quedan de esta forma expresamente excluidas. Salvo lo aquí indicado, Danby no serán responsables por ningún daño a personas o bienes, incluyendo la propia unidad, sin importar su causa, o de ningún daño indirecto causado por el desperfecto de la unidad, y al comprar esta unidad, el comprador acepta por la presente, indemnizar y proteger a Danby contra cualquier reclamo por daños a personas o bienes causados por la unidad.

CONDICIONES GENERALES

No se considerará ninguna de estas garantías o seguros cuando el daño o la necesidad de reparación sea el producto de los siguientes casos:

- 1) Falla del suministro eléctrico.
- 2) Daños en tránsito o durante el transporte de la unidad.
- 3) Alimentación incorrecta, como bajo voltaje, instalación eléctrica defectuosa o fusibles inadecuados.
- 4) Accidente, modificación, abuso o uso incorrecto del artefacto, tal como insuficiente ventilación del ambiente o condiciones de operación anormales (temperatura ambiente extremadamente alta o baja).
- 5) Utilización comercial o industrial (v.g., si el electrodoméstico no está instalado en una vivienda particular).
- 6) Incendio, daños por agua, robo, guerra, disturbios, hostilidades, actos de fuerza mayor como huracanes, inundaciones, etc.
- 7) Pedidos de servicio debido a desinformación del usuario.
- 8) Instalación inadecuada (v.g., instalación empotrada de un electrodoméstico diseñado como unidad independiente o uso de un electrodoméstico al aire libre que no esté aprobado para dicho fin).

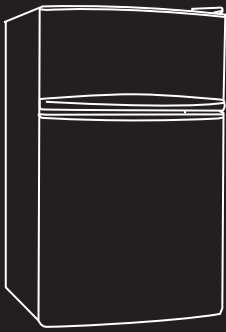
Para acceder a la garantía se solicitará un comprobante de compra; por lo tanto, guarde su recibo. En caso de necesitar servicio de garantía, presente ese documento al TALLER DE SERVICIO AUTORIZADO.

Servicio de Garantía
Servicio en Domicilio

Danby Products Limited
PO Box 1778, Guelph, Ontario, Canada N1H 6Z9
Telephone: (519) 837-0920 FAX: (519) 837-0449

1-800-263-2629
07/13

Danby Products Inc.
PO Box 669, Findlay, Ohio, U.S.A. 45840
Telephone: (419) 425-8627 FAX: (419) 425-8629



COMPACT REFRIGERATOR RÉFRIGÉRATEUR COMPACT REFRIGERADOR COMPACTO

Model • Modèle • Modelo
DCRM31WDD / DCRM31BSLDD

COMPACT REFRIGERATOR

The model number can be found on the serial plate located on the back panel of the unit.

All repair parts available for purchase or special order when you visit your nearest service depot. To request service and/or the location of the service depot nearest you, call Danby toll free.

When requesting service or ordering parts, always provide the following information:

- **Product Type**
- **Model Number**
- **Part Description**

REFRIGERADOR COMPACTO

El número de modelo se puede encontrar en la placa serial situada en el panel trasero de la unidad.

Todas las piezas de reparación disponibles para la compra o la orden especial cuando usted visita su depósito más cercano del servicio. Para pedir servicio y/o la localización del depósito del servicio lo más cerca posible usted, llame Danby gratis.

Al pedir servicio o pidiendo piezas, proporcione siempre la información siguiente:

- **Tipo de producto**
- **Número de modelo**
- **Descripción de la parte**

RÉFRIGÉRATEUR COMPACT

Le numéro de modèle se trouve sur la plaque d'information sur la paroi arrière de l'appareil.

Toutes les pièces de rechange ou commandes spéciales sont disponibles de votre centre régional de service autorisé. Pour exiger le service et/ou le nom de votre centre de service régional, signalez le numéro sans frais de Danby.

Ayez les renseignements suivants à la portée de la main lors de la commande de pièce ou service:

- **Genre de produit**
- **Numéro de modèle**
- **Description de la pièce**



1-800-26-**Danby**
(1-800-263-2629)

Printed in China
Imprimé en Chine
Impreso en China

Danby Products Limited, Guelph, Ontario, Canada N1H 6Z9
Danby Products Inc. Findlay, Ohio, U.S.A. 45840