

# Danby<sup>®</sup> *Designer*

- COMPACT REFRIGERATOR
- REFRIGERATEUR COMPACT
- REFRIGERADOR COMPACTO

Owner's Use and Care Guide

Guide d'utilisation et soins de Propriétaire

Manual de Instrucciones para el Uso y Cuidado de su Unidad

Model • Modèle • Modelo

DCRM31WDD DCRM31BLDD DCRM31BSLDD



# CONTENTS

COMPACT REFRIGERATOR	
Owner's Use and Care Guide	2-8
• Safety Instructions	
• Installation Instructions	
• Features	
• Operating Instructions	
• Care and Maintenance	
• Troubleshooting	
• Warranty	
R FRIGf:RATEUR COMPACT	
Guide d'utiliser et soln de Proprllttalre	9-15
• Consignes de Securite	
• Consignes de Installation	
• Caracteristiques	
• Operation	
• Soins et Entretien	
• Depannage	
• Garantie	
REFRIGERADOR COMPACTO	
Gura para utilizar y cuidar del Proprietario	16-22
• Instruci6nes de Seguridad Importantes	
• Instrucciones d'instalaci6n	
• Caracteristicas	
• Instruci6nes Operadoras	
• Limpieza y Mantenimiento	
• Soluci6n Sugeridad	
• Garantia	

## **& CAUTION**

Read and follow all safety rules and operating instructions before first use of this product.

## **& PRECAUTION**

Veillez lire attentivement les consignes de securite et les instructions d'utilisation avant l'utilisation initiale de ce produit.

## **& PRECAUCI6N**

Lea y observe todas las reglas de seguridad y las instrucciones de operacion antes de usar este producto por primera vez.

# IMPORTANT SAFETY INFORMATION

READ ALL SAFETY INFORMATION BEFORE USING

## ELECTRICAL REQUIREMENTS

This appliance must be grounded. In the event of an electrical short circuit, grounding reduces the risk of electrical shock by providing an escape wire for the electrical current.

This appliance is equipped with a cord having a grounding wire with a grounding plug. The plug must be plugged into an outlet that is properly installed and grounded.

### **& WARNING**

Improper use of the grounding plug can result in a risk of electric shock. Consult a qualified electrician or serviceman. If the grounding instructions are not completely understood, or if doubt exists as to whether the appliance is properly grounded.

#### **DO NOT USE AN EXTENSION CORD**

Use an exclusive wall outlet. Do not connect your refrigerator to extension cords or together with any other appliance in the same wall outlet. Do not splice the cord.

**IMPORTANT WARNING:** An empty refrigerator is a very dangerous attraction to children. Remove either the gasket, latches, lids or doors from unused appliances, or take some other action that will guarantee it harmless.

**DANGER:** Risk of Child Entrapment! Before you throw away your old refrigerator/freezer:

- Take off the doors.
- Leave the shelves in place so that children may not easily climb inside.

**DON'T WAIT! DO IT NOW!**

## SAVE THESE INSTRUCTIONS

# INSTALLATION INSTRUCTIONS

## LOCATION

Remove exterior and interior packaging, wipe the outside thoroughly with a soft dry cloth and the inside with a wet, luke-warm cloth. Avoid placing the unit in a narrow recess or near any heat source, direct sunlight, or moisture. Let air circulate freely around the unit. Keep the rear of the refrigerator 5 inches away from the wall.

### Location

- 1) Select a place with a level floor.
- 2) Allow 5 inches of space between the back of the refrigerator and any adjacent wall.
- 3) Avoid direct sunlight and heat. Direct sunlight may affect the acrylic coating. Heat sources nearby will cause higher electricity consumption.
- 4) Avoid damp places. Too much moisture in the air will cause frost to form very quickly on the evaporator, and your refrigerator will have to be defrosted more frequently.

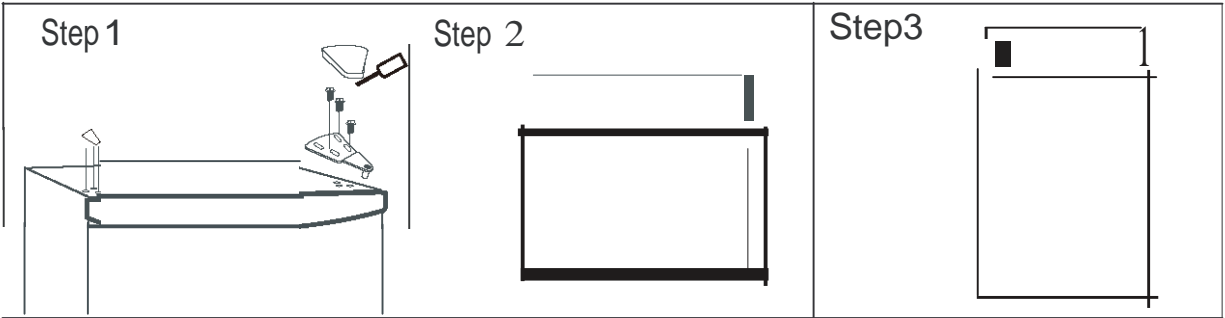
# INSTALLATION INSTRUCTIONS

## DOOR REVERSAL INSTRUCTIONS

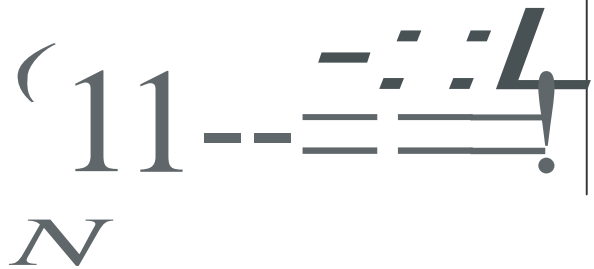
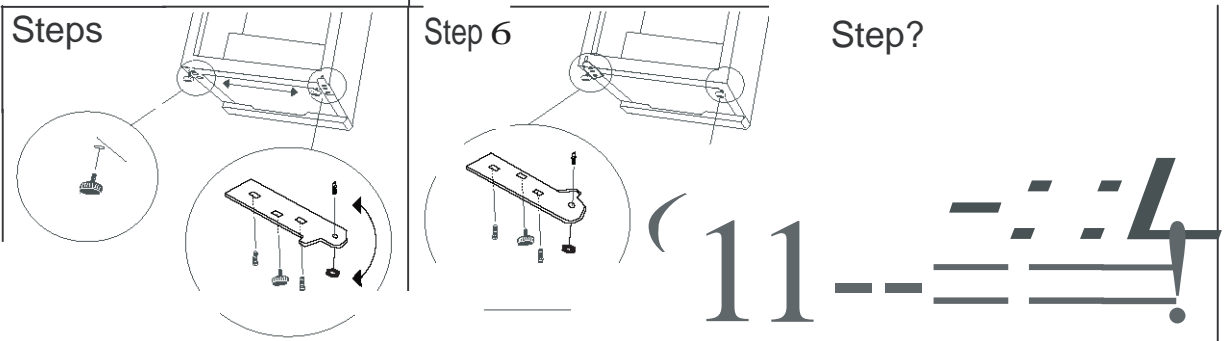
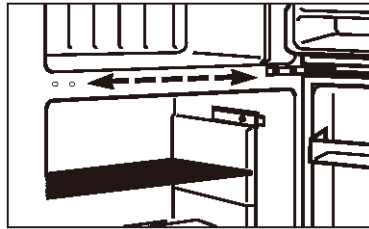
### & CAUTION

To avoid personal injury to yourself and/or property, we recommend someone assist you during the door reversal process.

If you find the direction of opening the door on your appliance inconvenient, you can change it by following the steps shown in the below diagrams.



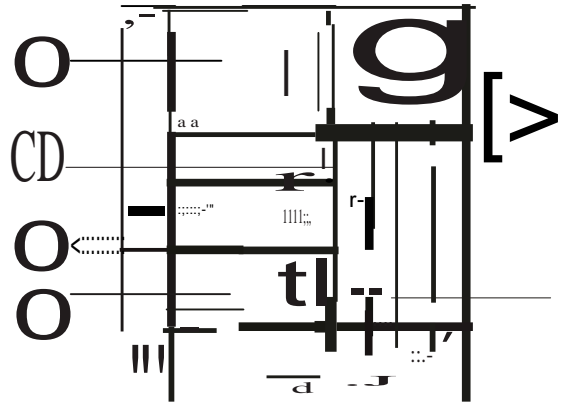
Step 4





# FEATURES

- 1) THERMOSTAT DIAL: For controlling the temperature inside the refrigerator; the compressor activates as soon as the temperature rises above the desired level.
- 2) FREEZER COMPARTMENT WITH FREEZER DOOR: Separate freezer section holds ice cube tray and small items.
- 3) SHELVES
- 4) MAGNETIC GASKET: Tight fitting door seal keeps all the cooling power locked inside. No hooks or latches.
- 5) BOTTLE RACK: For tall, medium, and large bottles, cans or jars.
- 6) CANSTOR™ Door Liner: Holds 355ml cans of pop, juice, or beer.
- 7) CRISPER WITH TEMPERED-GLASS SHELF: Easy interior viewing.



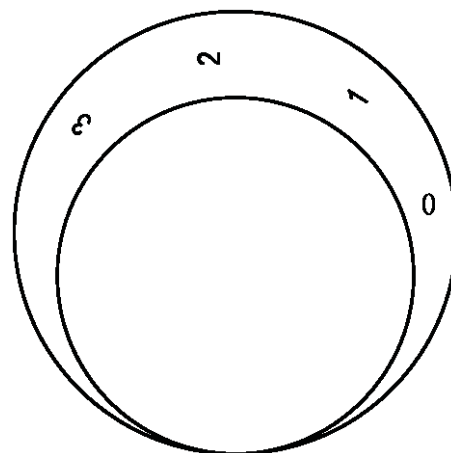
# OPERATING INSTRUCTIONS

To avoid vibration, the unit must be set level. This is accomplished by adjusting the (1) front leveling leg located under the refrigerator. The temperature of the refrigerator is controlled by setting the thermostat knob to a desired setting.

## TEMPERATURE SELECTION

To start the refrigerator, turn the temperature control knob to the position corresponding to the desired cooling (on the graduated black dial) in Fig.A. The refrigerator temperature will vary depending on the quantity of the food stored, and on the frequency with which the door is opened.

To turn the control to the "OFF" position, rotate the control knob to the "0" setting. After defrosting and if the refrigerator has been left out of use for some time, set the control to maximum for 2 to 3 hours before turning to the desired position. If the refrigerator is not to be used for long time periods, disconnect the plug and leave the door partially open. This will help reduce the mold/mildew from accumulating inside the refrigerator cabinet.



IFig.AI

## CARE AND MAINTENANCE

### DEFROSTING

Defrosting of your refrigerator should take place whenever ice build-up inside the freezer compartment reaches 1/4" (6mm) thick. Defrosting may take a few hours, depending on the amount of accumulated ice and ambient indoor temperature. To speed up the defrosting process, remove all frozen foods from the freezer section. Leaving the door partially ajar for a short period of time will also speed up the process.

**Note:** Never use sharp or pointed instruments to remove ice from the freezer compartment. The freezer compartment contains refrigerated gas lines and if accidentally punched/pierced, will render the refrigerator inoperable and void the manufacturer's warranty.

**DO NOT ALLOW THE REFRIGERATOR TO CONTINUE OPERATION IF THE FREEZER COMPARTMENT IS PIERCED.**

After defrosting is complete, set the control to maximum for 2 to 3 hours before returning to the desired position. When the refrigerator is not to be used for a long period of time, disconnect the appliance from the electrical supply and leave the door partially open. This will help to reduce mold and mildew build-up.

**Note:** Wait 3 to 5 minutes before attempting to restart the refrigerator if operation has been interrupted.

# CARE AND MAINTENANCE

## CLEANING

To clean the inside, use a soft cloth and a mixture of one tablespoon of baking soda to one quart of water. Other cleaning options are a mild soap suds solution, or mild detergent. Wash glass shelves in a mild detergent solution, then dry and wipe with a soft cloth. Clean the outside with a soft damp cloth and some mild detergent or appliance cleaner.

## POWER FAILURE

Most power failures are corrected within an hour or two and will not affect your refrigerator temperatures. However, you should minimize the number of door openings while the power is off. During power failures of longer duration, take steps to protect your food by placing dry ice on top of packages.

## IF YOU MOVE

Remove or securely fasten down all loose items inside the unit. To avoid damaging the leveling legs, turn them all the way into the base.

## FOOD STORAGE SUGGESTIONS

### Fresh Food Compartment

- Never cover food compartment shelves with aluminum foil or any other shelf covering material which may prevent air circulation.
- Always remove porous store wrapping paper from meats, poultry and fish. Meats should be wrapped individually and placed in a dish for storage. Wrap fish and poultry in foil or heavy waxed paper. Most fish should be used the same day of purchase. Packaged meats such as ham, bacon, dried beef, or frankfurter, store best in their original packages.
- Allow warm foods to cool to room temperature before placing them in the refrigerator.
- Always cover open dishes of food, especially leftovers. Use leftovers within 2 or 3 days.

## VACATION TIME

For short vacation periods, leave the control knob at its normal setting. During longer absences:

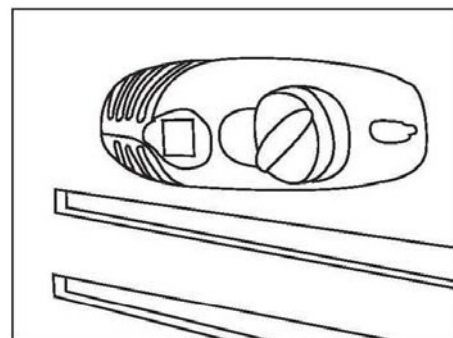
- (a) Remove all foods.
- (b) Disconnect power cord from electrical outlet.
- (c) Clean the refrigerator thoroughly, including drip tray (defrost pan), located on the bottom of the unit.
- (d) Leave door open to avoid possible formations of condensate, mold or odors.

### Some Important Rules for the Correct Use of the Refrigerator

- Never place hot foods in the refrigerator.
- Never place spoiled foods in the unit.
- Don't overload the unit.
- Don't open the door unless necessary.
- Should the refrigerator be stored without use for long periods, it is suggested, after a careful cleaning, to leave the door ajar to allow the air to circulate inside the unit in order to avoid the possibility of condensation, mold or odors.

## LIGHT BULB REPLACEMENT

- Unplug the AC power cord from the wall.
- Make sure the light bulb is cool before removing.
- Squeeze the tabs at the top and bottom of the light bulb cover simultaneously.
- Remove the light bulb cover.
- Unscrew the bulb.
- Replace with a 10 watt bulb that is the same shape and size.
- Replace the light bulb cover.





# TROUBLESHOOTING

Occasionally, a problem is minor and a service call may not be necessary- use this troubleshooting guide for a possible solution. If the unit continues to operate improperly, call an authorized service depot or Danby's Toll Free Number 1-800-263-2629 for assistance.

PROBLEM	POSSIBLE CAUSE	POSSIBLE SOLUTION
1) Does not work.	<ul style="list-style-type: none"> <li>• No power to unit</li> <li>• Power cord is unplugged.</li> <li>• Wrong voltage is being used.</li> </ul>	<ul style="list-style-type: none"> <li>• Check connection of power cord to power source.</li> <li>• Plug in unit.</li> <li>• Use proper voltage.</li> </ul>
2) Refrigerator runs continuously.	<ul style="list-style-type: none"> <li>• Temperature set too low.</li> <li>• Door is not closed.</li> <li>• Hot food inserted.</li> <li>• Door opened too long or too often.</li> <li>• Close proximity to heat source or direct sunlight.</li> </ul>	<ul style="list-style-type: none"> <li>• Set temperature control to warmer setting</li> <li>• Close door securely.</li> <li>• Be sure food is at room temperature before inserting.</li> <li>• Minimize door openings/duration.</li> <li>• Do not place unit close to heat sources or direct sunlight.</li> </ul>
3) Internal temperature not cold enough.	<ul style="list-style-type: none"> <li>• No power to unit.</li> <li>• Power cord is unplugged.</li> <li>• Temperature set too high.</li> <li>• Door is not closed.</li> <li>• Hot food inserted.</li> <li>• Door opened too long or too often.</li> <li>• Air flow obstruction.</li> <li>• Wrong voltage is being used.</li> <li>• Close proximity to heat source or direct sunlight.</li> </ul>	<ul style="list-style-type: none"> <li>• Check connection of power cord to power source.</li> <li>• Plug in unit.</li> <li>• Check setting and increase as needed.</li> <li>• Close door securely.</li> <li>• Be sure that food is at room temperature.</li> <li>• Minimize door openings/duration.</li> <li>• Allow room for air to circulate around unit.</li> <li>• Use proper voltage.</li> <li>• Do not place unit close to heat sources or direct sunlight.</li> </ul>

# Da\*YJ>es;gmr LIMITED IN-HOME APPLIANCE WARRANTY

!!Bq.Illltj ■ tWriiiEd.,belr88XN  
ardlona lrtalrildl/llllll lrtjJiii.:VQ,

h11'1118t11111lwklillillp, rrMied fla1 100 udt Illilid lner1 lie lm!lll liilg

11iSisMIIH *trij* '>II>pGIIiCito IliDnt>II'iwa crigi'tily dd liJ a.lbJPrac:ltl.iTi1ad (Cwdl)or Dll'bfPrccb:lll (U.S.A.)  
01 liJmllhrlil'ld dislr.b.a'd llrbJ,aJlil

'EiWSOFWAlIAHIY

FIM:t1\*11.11&..adilll lirty(30)clii;tl lrijtompurueda1t,lltIno \_\_\_ - - pn:Mded.

*Fht fBJicnlts* **lliq**.eih tet!Qm(18)ftlll1ft. "'flupndltis 0)i Ctbnl to bednlcM,llllbel'ellllhdor IIPaced.ltWTII'  
tin optan,lt 110ell/gil to11eORtiN.IILpun:llMel.

**IO** llarby18W4'11\$tl>ltjrt to In-lt100 bourrlnsd''hSeM:e'\_100pmltJd 111#Uhf:ld:9dSri:&Depot Nrg

(att.eircwn .-J.,llll o tnaJ'l'lllllr (pointcip6Cl.w) 1.W.dlp(t Jar rapir. SEE 'BMIIa/iQ\$dn tb 1les.viC8''

**SMD** saM:e011iikllit>IMied IIMilltKd,nHamilSemce", wllitlllCOIIMlll's nllj1)liiiti totw/sjclct11e I,IIPilID  
01

below. Cti1W)lIUr dealertom WJinyruurl1wu!Utlil88d.01m.:t)lIUr0811811Driysen.bdepot.-.flnaeM:&  
!llltbtptmllld/lri !pifled.WEectri:lln.

■ fitpeofomld mt1>ll'ib'f anyma ollllllllllllllhrlil'ld - rW>llajlci.or11e uri lie I18d JarCOH:llllcia!ajl)icdan,all  
ctfodb\*dDrymrHsWJllJ11yshillbt\*.

*InHamsSMD* **d** lft.e **ll** hllllld baloci:fcnllllll 100kln'i81n(112mlas)orn'118tom 11'e nllll&lt;SIIMce CGitr)lIUr uri!Mi!>  
dehalad tot.ellllllll6l llhrlil'ld DarbjSeM:8Depct, usri:&lllJllC'l'jl'>p lbmed 17t aladriiIn11llEilltiad Jar  
II'JMy 11111\bb'f llarby.lllnllpoltdon dliugM.,I!Jlfnm hiseM:e locdoo n not p tiliIJMy8111 n11\e  
r;epcnlllltJd tl>pun:t.ll.

**Mitllltdbfile II'JMy** ahd lrrct'flat llarbydl>lllllllllltie 01116lar''f IPdiiiU8 or to>od<rCiel'ccmmd **INS**  
**UIOII'**Ydallct **cit!** > «lat&,ntii'I'OI\*'or.,,rrqll',

EXCUSIQIIS

**N**uiiHaln ITO'dded. *DJiiJ*,"\*are noCIC'ie:llllllll'fell, r JM liilil01gU/ll'8eil,IIPI'fll « nwll «h18fdb'f ilarby<r lts  
ll'!lllzad ' ' llldCCial!llJ1'II'BI,COdbi,liipi 01glllllltlail, h:lHtGII!YllllJilJdlit,CCiidllol,11lj - tdoillor!Jili'II'Oil  
lnleraJri S.o!Gcodald.011111igililatim arIJiiU is hnby 6lp1SSf axUad.&r.e aliirai lDriyltli not benllp1llllllsI<< frfdiln'lulll  
\_,peiW1S <rp1lllcltJ, r.cbi1g100udt189!f, caused « ""/damages fromliedllie1111111d hipurclu9d  
lll&1111.1eIMJ'Cl1ll'cblililll'ellyJ'II&t Mllmltll1d1M\*!hllll'IIIIsa Denli'Jircm ftP/dllm Jarclllmllgllll to pellliln 01Cillied b'f1hllld.

## caERAL PROVISIONS

**tt**lorinlutll'a llni clrlinad 01181e li llallllWIm'8ldInle.gIOrepUie caUSld7tftP/ of

- 1) Alwe!UD.
- 2) llrlllgeNtrn1<<n1moltG111e IP!D.
- 1) 11'ft01WpowaII''lildlllllo!!vftgl.dillilct.elwilell'i'(j01full8t
- 4) **Acliirt.lb\*-or'lliuNdt.elildlal 41r MU** In100 room<tbnomlll opnf CCidloiiS  
(,..orllmroom).
- li) ll.le JarCOI'MII' Cill orirNttiaJptpOll8llfa 11119!lPIrais neti'111111adi1a timllli:l'11111Incl).
- ., Flrt,....dirn Qe.1fllll,llll',rtl1, act.a dGod Milu tuTtns.f>odtett.
- 1) SaM>ciil'11tft'G InruMllnelaclicelin.
- 1) hllals.tioo (lllBNki1tin d ati119111111iv!Allin:ecrulll1gan **Ol.jxn** tat is not Jar cmm ).

**PIodd!QdVda II beill dill!** II, eoipus retainbts d Inllie llil!My.welcsmJ hd,P!811<111111\$ \_\_our  
NJTORIZEDSB'IVK:EIE'OT.

W1m1nty Service  
In-home

Dlllr . . . LiWi  
POllllml (Mpi) OrMt,c. IM IIIH II

1-800-283-2628

DriJPtMIllt....  
POlllll - HllllAGllt+lu 41111

# CONSIGNES DE SECURITE IMPORTANT

LISEZ TOUTES LES INFORMATIONS DE SECURITAVANT DE FAIRE FONCTIONNER L'APPAREIL

## CONDITIONS ELECTRIQUES

Cet appareil doit être mis à la terre. En cas de court-circuit, la mise à la terre réduit les risques de décharge électrique en fournissant un échappatoire au courant électrique.

L'appareil est muni d'un cordon électrique comprenant un fil de mise à la terre et une fiche de terre. Branchez la fiche dans une prise de courant correctement installée et mise à la terre.

### & AVERTISSEMENT

Consultez un électricien ou un technicien qualifié si vous ne comprenez pas bien les Instructions de mise à la terre ou si vous avez un doute quelconque sur la bonne mise à la terre de l'appareil.

**N'UTILISER JAMAIS DE FIL DE RALLONGE:** S'il est possible, brancher le réfrigérateur à son propre circuit. Ainsi, les autres appareils ou la surcharge des lampes du domicile ne peuvent pas surcharger et interrompre le courant électrique. Une connexion desserrée peut se doubler à un autre appareil dans la même prise murale.

**PRECAUTION IMPORTANTE:** Un vide est une attraction dangereuse aux enfants. Enlever les joints étanches, les loquets, les couvercles ou les portes des appareils qui ne sont pas utilisés, ou faites de sorte que l'appareil ne présente aucun danger.

**DANGER:** Risque des enfants deviennent coincés dans l'appareil. Avant de jeter votre ancien réfrigérateur.

- Enlevez les portes.
- Laissez les étagères à ses places afin que des enfants ne puissent pas monter facilement dans l'appareil.

**N'ATTENDEZ PAS! FAITES-LE IMMÉDIATEMENT!**

## SAUVEGARDE CES INSTRUCTIONS

## CONSIGNES D'INSTALLATION

### EMPLACEMENT

Enlevez les emballages extérieurs et intérieurs. Essuyez complètement l'extérieur avec un linge doux sec et l'intérieur avec un linge humide tiède. Il ne faut jamais situer l'appareil dans un espace étroit, proche d'une source d'air chaud. L'air doit circuler à l'entour de l'appareil. Eloigner le congélateur au moins 5 pouces du mur.

- 1) Choisir une place qui a un plancher à niveau.
- 2) Eloigner l'appareil de 5 pouces des murs arrière et de l'ôte.
- 3) Éviter les rayons de soleil et la chaleur directs qui peuvent affecter la surface en acrylique. Les sources de chaleur rapprochées augmentent la consommation d'énergie.
- 4) Éviter les endroits très humides. L'humidité élevée dans l'air occasionne la formation rapide de gèle sur l'évaporateur et le réfrigérateur. Le réfrigérateur devra être dégivré fréquemment.

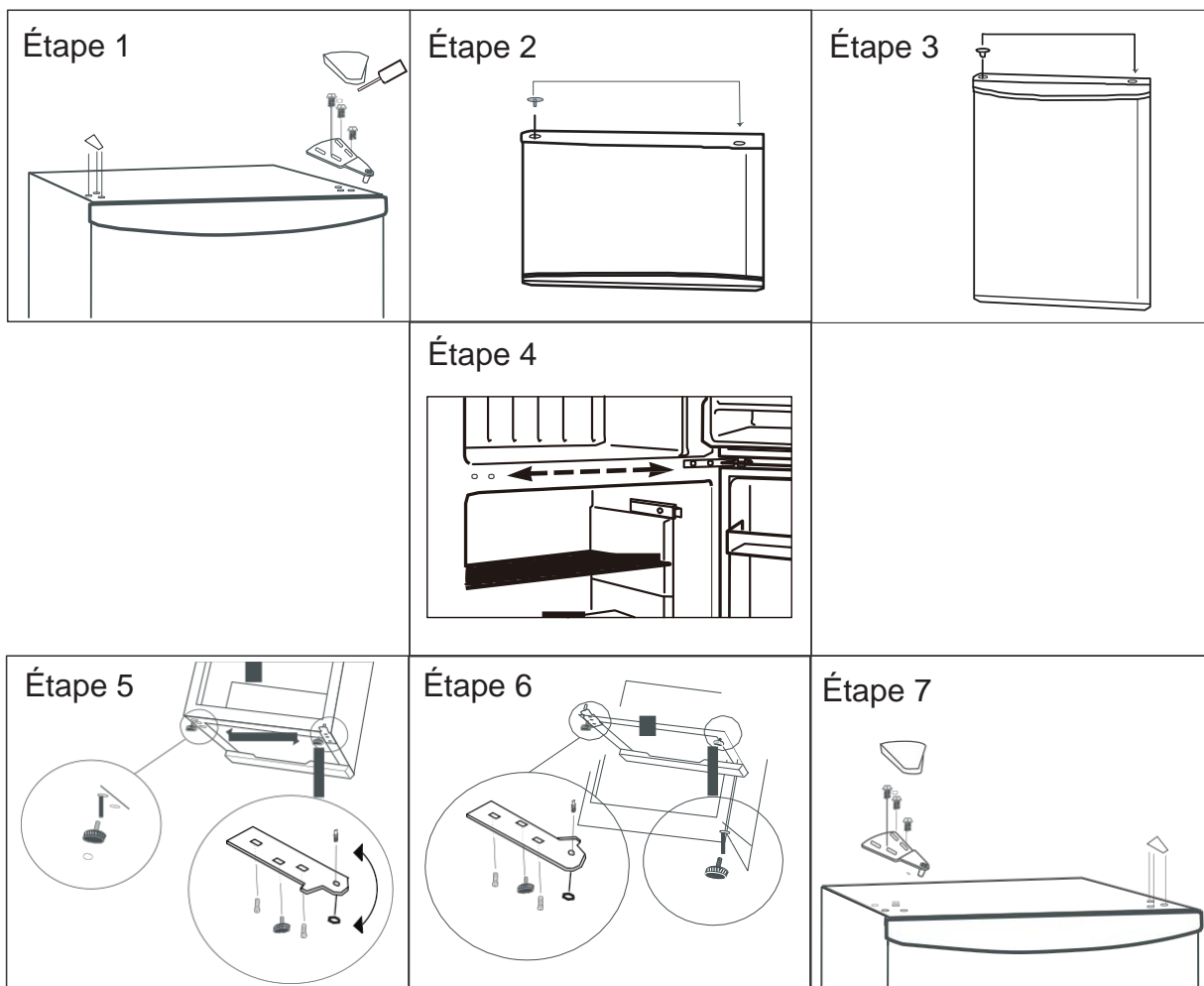
# CONSIGNES D'INSTALLATION

## INSTRUCTIONS DE PORTE RÉVERSIBLE

### ATTENTION:

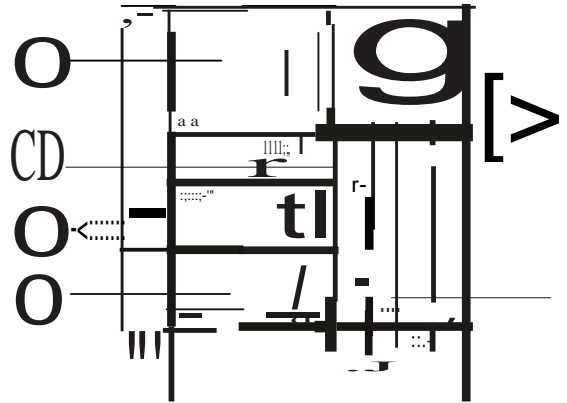
Pour éviter de se blesser ou endommager l'appareil, on vous recommande d'avoir quelqu'un vous aide pendant ce processus.

Votre réfrigérateur est muni d'une porte réversible. Vous pouvez donc l'ouvrir par la gauche ou par la droite. Pour inverser l'ouverture de la porte, il vous suffit de suivre les consignes suivantes :



# CARACTERISTIQUES

- 1) CADRAN DU THERMOSTAT: Regie la temperature interieure du refrigerateur; le compresseur en marche des que la temperature depasse le niveau desire.
- 2) COMPARTIMENT DE CONG LATEUR AVEC PORTE: Section separee pour la congelation contient les moules à glac;on.
- 3) TABLETTES
- 4) JOINT ETANCHE MAGNETiQUE: Le joint etanche empeche l'air frais de s'echapper.
- 5) PORTE-BOUTEILLES: Pour les bouteilles, boites metalliques et bocaux.
- 6) Paroi de Porte CANSTOR™: Range les boites de boisson gazeuse, jus ou biere de 355ml.
- 7) BAC A LEGUMES ETA FRUITS AVEC TABLETTE EN VERRE TREMPE : Facile de voir à l'interieur.



# OPERATION

Pour éviter la vibration, l'appareil doit être absolument horizontal. Les deux premiers pieds de nivellement au-dessous de réfrigérateur peuvent être ajustés. La température intérieure du réfrigérateur est contrôlée en réglant le cadran du thermostat (au plafond de l'intérieur du caisson) la température désirée.

## CHOIX DE LA TEMPERATURE:

Pour mettre le réfrigérateur en marche, tournez le cadran du thermostat à la position qui correspond à la température désirée sur le cadran noir à échelle. Fig. A la température du réfrigérateur varie selon la quantité d'aliments rangés dans l'appareil et le nombre de fois que la porte est ouverte.

La température du réfrigérateur fluctuera en fonction de la quantité de nourriture entreposée et de la fréquence de l'ouverture de la porte.

Pour tourner le bouton de commande à la position "OFF", tournez-le jusqu'à la configuration de "0". Après le dégivrage et lorsque le réfrigérateur a été hors service pour quelque temps, réglez le cadran au maximum pour 2 à 3 heures avant de le régler à la température désirée.

Si le réfrigérateur reste inutilisé pour de longues périodes de temps, débranchez la fiche et laissez la porte entrouverte. Ceci aidera à éviter l'accumulation de moisissures dans la cavité du réfrigérateur.

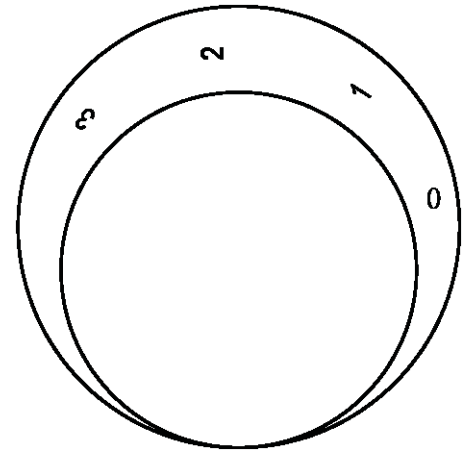


Fig. A I

# SOINS ET ENTRETIEN

## DEGIVRAGE

Il est nécessaire de dégivrer le congélateur chaque fois que l'accumulation de glace arrive à une épaisseur de 1/4 po (6mm). Ça pourrait prendre quelques heures pour dégivrer le congélateur, dépendant de la quantité de glace accumulée et la température ambiante de la pièce. Pour accélérer le processus de décongélation, enlevez tout les produits surgelés du congélateur. En laissant la porte entrebâillée, il peut pour un peu de temps pourrait accélérer le processus.

**Avis Important:** N'utiliser jamais de ustensiles tranchants ou aiguilles pour dégivrer/enlever la glace du compartiment de congélation/évaporation. Le compartiment de congélation/évaporation contient des tuyaux de gaz réfrigérés et si ils sont crevés ou percés, le réfrigérateur sera inopérable et la garantie de fabricant sera rendu nul.

**S'IL LE COMPARTIMENT DE CONGELATION EST PERCÉ, ÉTEINDRE LE RÉFRIGÉRATEUR.**

Après le dégivrage est fini, tourner la commande de température au refroidissement maximum pendant 2 à 3 heures avant de tourner au refroidissement désiré. Si on n'utilise pas le réfrigérateur pendant longtemps, débranchez l'appareil et laissez la porte partiellement ouverte pour réduire l'accumulation de moisissure.

**Remarque:** Si le fonctionnement a été interrompu, attendre 3 à 5 minutes avant de mettre le réfrigérateur en marche.

# SOINS ET ENTRETIEN

## ENTRETIEN

Pour nettoyer l'intérieur, utilisez un chiffon doux et une solution composée d'une pinte d'eau et d'une cuillère à savon de poudre à pâte. Comme autre solution de nettoyage, utilisez une solution comportant un savon ou un détergent doux. Lavez les tablettes en verre à l'aide d'une solution comportant un détergent doux; séchez les tablettes et essuyez-les à l'aide d'un chiffon doux. Nettoyez l'extérieur à l'aide d'un chiffon humide doux et d'un peu de détergent doux ou d'un produit de nettoyage des appareils électroménagers.

## PANNE D'ELECTRICITE

La plupart des pannes d'électricité sont corrigées dans un délai d'une heure et n'ont pas d'effets sur la température du réfrigérateur. Il est nécessaire de réduire le nombre d'ouverture de la porte pendant une panne. Pendant les pannes qui durent plus qu'une heure, protéger vos aliments en déposant un bloc de glace sèche par-dessus les emballages. Si la glace n'est pas disponible, essayer d'utiliser temporairement de l'espace de votre entrepôt à froid régional.

## DEMENAGEMENT

Enlever ou immobiliser toutes les pièces amovibles (*crates* / *les clayettes*) à l'intérieur du réfrigérateur. Serrer les vis à niveau à la base afin de ne pas les endommager.

## RANGEMENTS DES ALIMENTS

Compartiments pour Aliments Frais

- Ne jamais recouvrir les dayettes du compartiment de papier d'aluminium ou autres matériaux car ceci peut empêcher la circulation d'air.
- Enlever toujours les emballages perméables du marchand qui recouvrent la viande, volaille et le poisson. Les viandes doivent être emballées individuellement, et déposées dans un récipient pour le rangement. Emballer la volaille ou le poisson dans du papier aluminium ou du papier cire pais. Faites cuire la plupart de sorte de poissons le jour de l'achat. Les viandes emballées par le marchand, telles que le jambon, le bacon, le boeuf sec, ou les saucisses fumées se rangent très bien dans leur emballage.
- Laisser refroidir les aliments à la température de la pièce avant de les ranger dans le réfrigérateur.
- Toujours recouvrir les aliments, surtout les restants. Utiliser les restants avant 2 à 3 jours.

## PENDANT LES VACANCES

Si vous prenez une vacance de courte durée, laissez le bouton de commande à son réglage normal. Si l'absence doit durer longtemps,

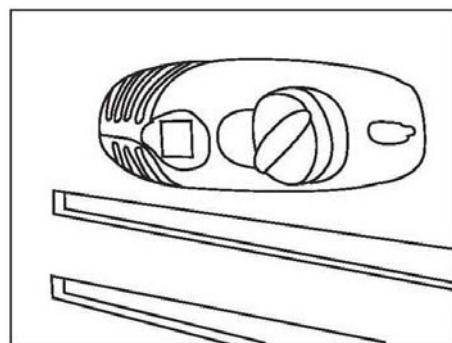
- (a) Enlever tous les aliments.
- (b) Débranchez l'appareil de la prise murale.
- (c) Nettoyez le réfrigérateur complètement, en incluant le plateau d'égouttage (bac de décongélation) situé dans le bas de l'appareil.
- (d) Laisser la porte ouverte pour éviter les mauvaises odeurs.

Importantes consignes de sécurité pour l'utilisation du réfrigérateur

- Ne jamais ranger d'aliments chauds dans le réfrigérateur.
- Ne jamais surcharger l'appareil.
- Ouvrir la porte seulement si nécessaire.
- Pour un rangement prolongé de l'appareil, il est suggéré de laver l'appareil, de laisser la porte ouverte afin de fournir une circulation d'air à l'intérieur du meuble et d'éviter le développement de condensation, de moisissures et d'odeurs.

## CHANGEMENT DE L'AMPOULE

- Débranchez le cordon d'alimentation du mur.
- Avant de la retirer, assurez-vous que l'ampoule a refroidi.
- Pressez simultanément les onglets en haut et en bas de la ouverture de l'ampoule.
- Retirez le couvercle de l'ampoule.
- Dévissez l'ampoule.
- Remplacez-la par une ampoule de 10 watts qui est de la même forme et de la même taille.
- Remplacez le couvercle sur l'ampoule.



# DEPANNAGE

De temps en temps, un problème est mineur et un appel de service peut ne pas être nécessaire. Utilisez ce guide de dépannage pour trouver une solution possible. Si l'unité continue de fonctionner incorrectement, appelez un département de service autorisé ou le numéro sans frais pour obtenir de l'assistance. Tel: 1-800-263-2629

PROBLEME	CAUSE PROBABLE	SOLUTION
1) Ne fonctionne pas.	<ul style="list-style-type: none"> <li>• Pas de tension à l'unité.</li> <li>• Le cordon d'alimentation est débranché.</li> <li>• Le mauvais voltage est utilisé.</li> </ul>	<ul style="list-style-type: none"> <li>• Vérifiez la connexion du cordon d'alimentation.</li> <li>• Branchez l'appareil.</li> <li>• Utilisez le voltage approprié.</li> </ul>
2) Le réfrigérateur fonctionne sans arrêt.	<ul style="list-style-type: none"> <li>• La température est trop basse.</li> <li>• Le couvercle n'est pas fermé.</li> <li>• De la nourriture chaude a été insérée.</li> <li>• Le couvercle est ouvert trop souvent/longtemps.</li> <li>• Proximité d'une source de chaleur ou source de soleil.</li> </ul>	<ul style="list-style-type: none"> <li>• Baissez le contrôle de température.</li> <li>• Fermez le couvercle.</li> <li>• Assurez-vous que la nourriture est fraîche avant de la placer dans l'appareil.</li> <li>• Minimisez l'ouverture de la couvercle.</li> <li>• Ne placez pas l'appareil près d'une exposition directe aux rayons du soleil.</li> </ul>
3) La température interne n'est pas assez froide.	<ul style="list-style-type: none"> <li>• Pas de tension à l'unité.</li> <li>• Le cordon d'alimentation est débranché.</li> <li>• Température trop élevée.</li> <li>• Le couvercle n'est pas fermé.</li> <li>• La nourriture est chaude.</li> <li>• Le couvercle est ouvert trop souvent/longtemps.</li> <li>• Obstruction de la circulation de l'air.</li> <li>• Le mauvais voltage est utilisé.</li> <li>• Proximité d'une source de chaleur ou exposition directe aux rayons du soleil.</li> </ul>	<ul style="list-style-type: none"> <li>• Vérifiez la connexion du cordon d'alimentation.</li> <li>• Branchez l'appareil.</li> <li>• Vérifiez le réglage et augmentez-le au besoin.</li> <li>• Fermez le couvercle.</li> <li>• Assurez-vous que la nourriture est fraîche avant de la placer dans l'appareil.</li> <li>• Minimisez l'ouverture de la couvercle.</li> <li>• Laissez l'air circuler dans la cavité de l'appareil.</li> <li>• Utilisez le voltage approprié.</li> <li>• Ne placez pas l'appareil près d'une exposition directe aux rayons du soleil.</li> </ul>



Si W'flrt>esigner

# GARANTIE LIMITE SUR APPAREIL LECTROM NAGER À DOMICILE

Cet appareil de qualité est garanti exempt de tout vice de matière première et de fabrication, s'il est utilisé dans les conditions normales recommandées par le fabricant. Cette garantie n'est offerte qu'à l'acheteur initial de l'appareil vendu par Danby Products Limited (Canada) ou Danby Products Inc. (E.- U. d'A) (ci-après "Danby") ou par l'un des ses distributeurs agréés et elle ne peut être transférée.

COIIII!IOIII

Leipike enemgiii!ilels p!IQ'tl'm(3l) ) I ■ pilfr Oil Iadm o\$ r.lclat, Sa CUeprobQdXrpldwe.

**Première 18 mois** Pendant les dix huit (18) mois, toutes pièces fonctionnelles de ce produit s'avèrent défectueuses, seront réparées ou remplacées, selon le choix du garant, sans frais à l'acheteur INITIAL.

**Pour bénéficier du Service** Le client sera responsable pour le transport et tous les frais d'expédition de tout appareil exigeant le service au dépôt de service autorisé le plus proche. S'adresser au détaillant qui a vendu l'appareil, ou à la station technique agréée de service la plus proche, où les réparations doivent être effectuées par un technicien qualifié. Si les réparations sont effectuées par quiconque autre que la station de service agréée où à des fins commerciales, toutes les obligations de Danby en vertu de cette garantie seront annulées.

j dxrli:III 11Jb1i16 pit' D.III7/l&fU **+** IJidI6  
liDd9 fsilr9iili Si III!Jpareio!i!l'IIIIIIU.J'III de 100ricu n («! niIIIs)tiltaiJ'iide IIIIII» III, UpiDde, tinOtt&liYI'Ul'atIIIIrdrII

Cette garantie indique en aucun temps la responsabilité de Danby de l'avarie ou dommage de la vente ou autre contenu, soit par les vices de l'appareil, ou soit par l'utilisation convenable ou abusive.

EXCWIIOIII

En W'101111. jNerQ,Iri...llaJne-.rtregll1llte. **OUR ICII!** lqfITIGe outldtt, dée9anm JMiecu lradb•par  
IIII'cusatIIIIlriiijJBjrallf16s. DemAine,liCit m1111 tcl'silile8IIInil gaM!ail,lmlbsou11JpilsartdqIIII,y CCf11illllas gaM!ail, wodb•cu  
IIPD4L.. enWt1Jde tua \_\_. i.WIII&di!IIIdi.IIecudllelm **M IIIcncu-mna itiblat.**

En W'1de Ia \_ Dari¥nel\*110tt& tarue **en** CIJdiI CCJl('8IMou de8 d6gatsndlels, yli'IC)IIIInl,qIIIIItq. 'IIIIIdt  
- - Driy1811tpas **mtau des ma** dIIIIIIII bdcilJII!Btdcklii-de rIIIIIfII8iEn aj:hsCint'I'IIAIRi.r.  
dle1N8i1'18ldt 6 WiMit etdecMgilgelDirtyd8bJ1&!MpCIIIIIIena.CI& **pourail re** CIJICII8Ile cu bJt o.lgM dIIII  
CIUII6I\*eeI tIIIIII8I

COIUIIOIS <EifjfiAW

La9IIInicu MUIII08 cl-delune 11118118806gatecu r6pl/daMmclJaux CIIIIIIian11:

- 1) Pam.lIIlcourt
  - 2) **IIi!** perllan1111trlnlportcu18 dilfUilIIIIl de fil)IIIIJ&l
  - 3) AII1811111brh:Grrecll(tlr\*n111118,Cilblagtd!flIcuu •lrw:cnedII).
- Aa:IIIn1,JiIdblb,IIIIJtiaualf ou hmar:tdII **rapa** tilqu'IJnectuJilbl d'Ir NdIIqJd8dins11.1\*(Ce cu d8ir **wdb•de** flrdC1JJIIIIri  
IJCI1II.IIIIt (tlInplraU&e.frflIKIIIIII14iIIIIIIcubel&).
- Uti NimdnIIIIUW'I18fIIIcu **II** {a - **!IA\***!n'alt111 hiiiNdnIIIdcntle \_  
IIICIIIIl,cbIir g&C111116111\*TBiu,!li,IJIIII!B, t.mliil.Em de taIIIIJaum(CIIIIIIg14 iluJGfool,c).  
'I) VIIba d'JnIacIIItin pour &lg)t!UGIIItudb•'lollrtdc **■ \* u**  
**li** 1111111ddt11 Jiile(par.....entUI!eiIIIt d'Jn \_ UilOI1r1l. cuu1111don d'Ieure dl.nIPII11lrur•cet<iiI).

Une jiiJ'IIIIIfadrlt dciOI8 poliMmla putCIIIBdiInlrde **de & cis** . Pri8de griIIle AIIrm fmclwla gIIIIJIIl,fi'Ira:Vce  
cb:IIIIII1tIi.ft1!(r11iIclIripliIICJ6d6ou f \_ \_ k

S.rvfe&

••, . . . . . rant. . .  
Sein

Danby Products Inc.  
PO Box 100, Findlay, Ohio, U.S.A. 45840  
Telephone: (419) 425-9827 FAX: (419) 425-9829

04/09

10 12 14 16 18 20 22 24 26 28 30 32 34 36 38 40 42 44 46 48 50 52 54 56 58 60 62 64 66 68 70 72 74 76 78 80 82 84 86 88 90 92 94 96 98 100

# INSTRUCCIONES DE SEGURIDAD IMPORTANTES

LEA TODAS LAS INSTRUCCIONES DE SEGURIDAD ANTES DE UTILIZARLA

## REQUISITOS ELECTRICOS

Este artefacto debe ser conectado a tierra. En caso de un corte circuito eléctrico, la conexión a tierra reduce el riesgo de una descarga eléctrica proporcionando un cable de retorno para la corriente eléctrica.

Este artefacto viene con un cable de alimentación que tiene un conductor y pata del enchufe de tierra. Este cable debe enchufarse en un tomacorriente debidamente instalado y con conexión a tierra.

### **ffi** ADVERTENCIA

El uso inadecuado del enchufe de conexión a tierra puede resultar en un riesgo de choque eléctrico. Consulte con un electricista o persona de reparaciones competente si no comprende bien las instrucciones de conexión a tierra o si existe alguna duda sobre si el aparato está conectado a tierra correctamente.

NO USE UN CORDON DE PROLONGACION ELCTRICA: Use un tomacorriente de pared exclusiva. No conecte su refrigerador a cordones de prolongación eléctrica o junto a cualquier otro electrodoméstico en el mismo tomacorriente de pared. No empalme cordón.

ADVERTENCIA IMPORTANTE: Un refrigerador vacío es una atracción muy peligrosa para los niños. Saque todas las juntas, pestillos, tapas a la puerta de todo electrodoméstico que no esté en uso, o tome alguna medida para asegurar que no presente peligro.

1 PELIGRO! Peligro de atraparse los niños en la unidad. Antes de desechar su antiguo refrigerador o congelador:

- Quite las puertas.
- Deje las tablas en sus lugares exactos a fin de que los niños no puedan subir fácilmente a la unidad.

1 NO ESPERE, HAGALO AHORA MISMO!

## SAUVEGARDES INSTRUCTIONS

## INSTRUCCIONES D'INSTALACION

### UBICACION

Saque los embalajes exteriores e interiores, limpie el exterior bien con un paño suave seco y el interior con un paño húmedo y tibio. Evite colocar la caja en un hueco estrecho o cerca de una fuente de calor, luz de sol directa, o lugar húmedo. Deje que el aire circule libremente alrededor de la caja. Mantenga la parte posterior del refrigerador a 5 pulgadas de la pared.

#### Ubicación

- 1) Seleccione un lugar con un piso firme y nivelado.
- 2) Permita cinco pulgadas de espacio entre la parte posterior del refrigerador y toda pared contigua.
- 3) Evite luz directa del sol o calor. La luz directa del sol puede afectar la capa de acrílico. Las fuentes de calor en su proximidad causarán un consumo mayor de electricidad.
- 4) Evite lugares muy húmedos. Demasiada humedad en el aire hará que se acumule escarcha rápidamente en el evaporador y deberá descongelar su refrigerador con mucha frecuencia.

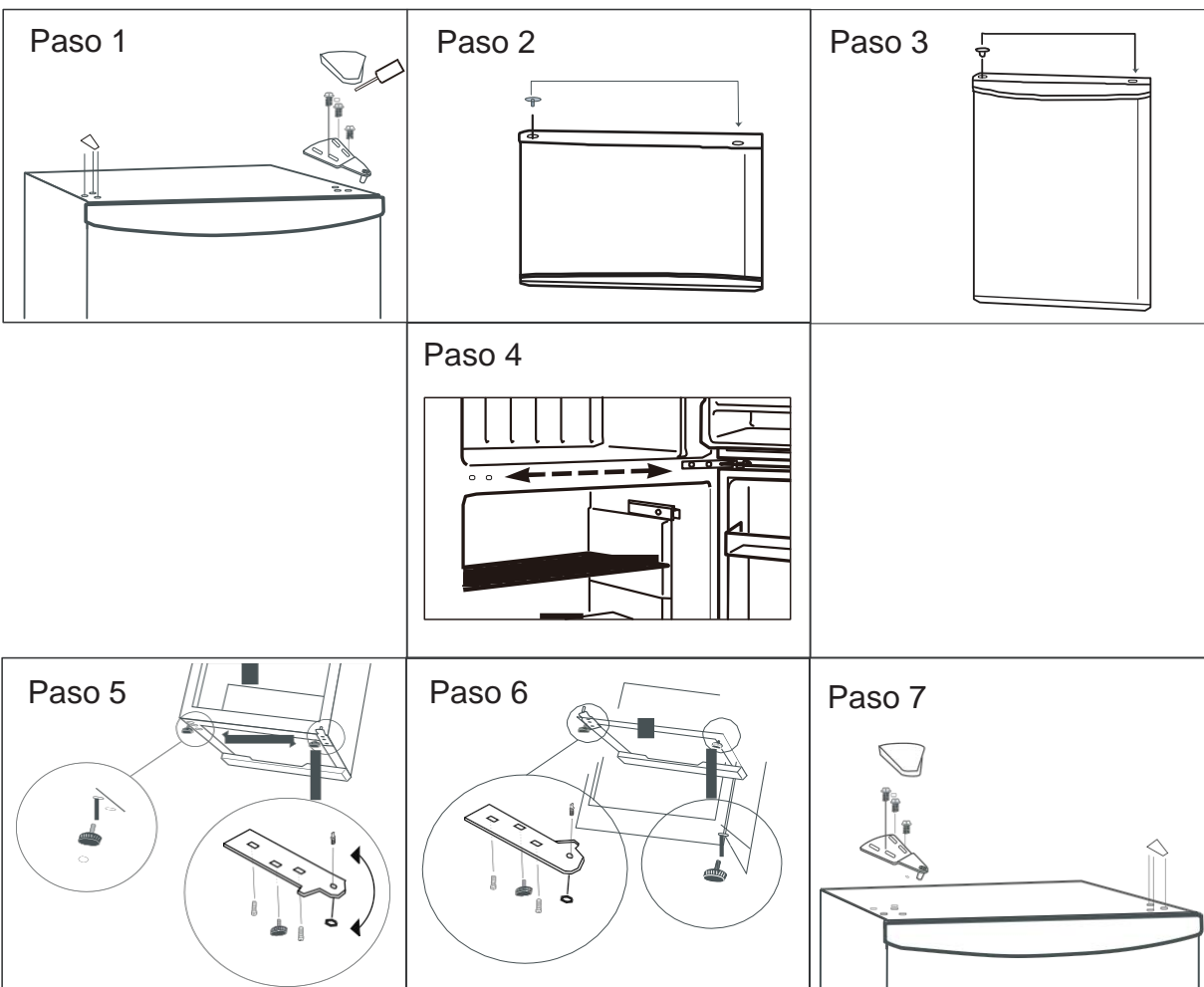
# INSTRUCCIONES D'INSTALACIÓN

## INSTRUCCIONES PARA CAMBIAR SENTIDO EN QUESE ABRE LAPUERTA

### ADVERTENCIA

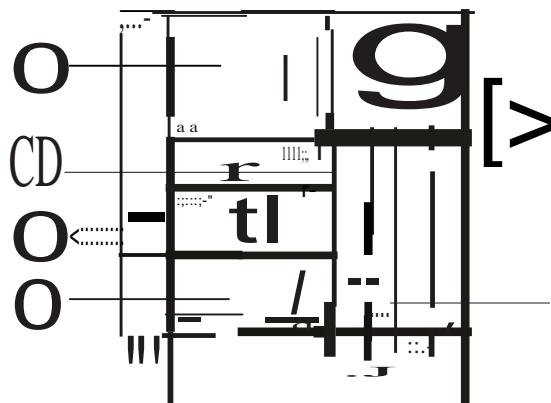
Para evitarse lesiones personales y daños a la propiedad, recomendamos que otra persona lo ayude durante el proceso de cambiar de sentido en que se abre la puerta.

Su refrigerador tiene una puerta reversible. Tiene la posibilidad de abrirla desde la derecha o desde la izquierda. Para revertir la dirección de apertura de la puerta, siga estas sencillas instrucciones:



# CARACTERISTICAS

- 1) DISCO DEL TERMOSTATO: Para controlar la temperatura dentro del refrigerador. Encienda el motor tan pronto como la temperatura sube por encima del nivel deseado.
- 2) COMPARTIMIENTO DE CONGELACION CON PUERTA DE CONGELADOR: Sección separada de congelador con espacio para bandeja para cubitos de hielo y artículos pequeños.
- 3) ESTANTES
- 4) JUNTA MAGNETICA: Un cierre ajustado de la puerta que mantiene toda la potencia de enfriamiento encerrada en el refrigerador. Sin gancho ni pastilles.
- 5) ESTANTE PARA BOTELLAS: Para botellas, latas o frascos altos, medianos y grandes.
- 6) Revestimiento de Puerta CANSTOR™: Para guardar latas de bebidas gaseosas, jugos o cerveza, de 355ml.
- 7) CAJ6N PAPA VERDURAS & CAJ6N PAPAVER DURAS



# INSTRUCCIONES OPERADORAS

Para evitar vibraciones, la caja debe estar nivelada. Esto se logra ajustando la pata delanteras de nivelación ubicadas debajo de la caja del refrigerador. La temperatura de la refrigeradora se controla ajustando la perilla del termostato (en el techo de la caja) al punto deseado.

## SELECCION DE LA TEMPERATURA

Para encender la refrigeradora, gire la perilla de control de la temperatura a la posición correspondiente a la refrigeración deseada (en el disco graduado de color negro). Fig. A.

La temperatura de la refrigeradora varía, dependiendo de la cantidad de alimentos que se haya almacenado y de la frecuencia con que se abre la puerta. Para dar vuelta a la perilla de control a la posición "OFF", déle vuelta a la configuración de "0". Luego de descongelar, y si la refrigeradora ha estado sin usarse durante algún tiempo, ponga el control al máximo durante 2 o 3 horas, antes de ponerlo en la posición deseada. Si no se usa la refrigeradora por períodos largos, desconecte el enchufe y deje la puerta parcialmente abierta. Esto ayudará a disminuir la acumulación de moho dentro del mueble de la refrigeradora.

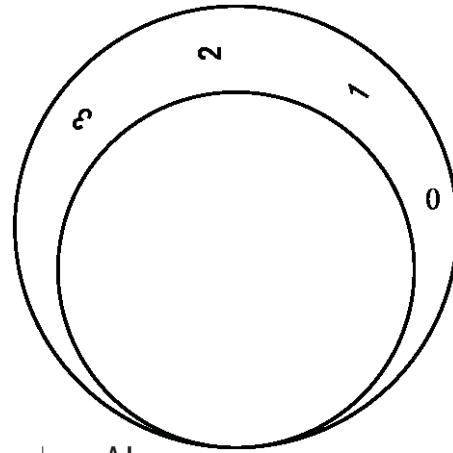


Fig. A

# CUIDADO Y MANTENIMIENTO

## INSTRUCCIONES PARA DESCONGELAR

Es necesario descongelar el refrigerador cada vez que el hielo al interior del congelador llega a un espesor de 1/4" (6mm). La descongelación puede durar hasta 2 horas, dependiendo de la cantidad del hielo acumulado. Para acelerar el tiempo de la descongelación quite toda la comida congelada de la sección del congelador. Dejando la puerta entre abierta por un período de tiempo muy corto acelerará el proceso también.

**AVISO IMPORTANTE:** Nunca use instrumentos afilados o puntiagudos para descongelar/sacar el hielo del compartimiento de evaporación/congelador. El compartimiento de evaporación/congelador contiene líneas de gas refrigerado y si se perfora/agujerea accidentalmente, hará que el refrigerador no funcione anulando la garantía del fabricante.

**NO PERMITA QUE EL REFRIGERADOR CONTINUE FUNCIONANDO SI EL COMPARTIMIENTO DEL CONGELADOR ESTA PERFORADO.**

**NOTA:** Espere entre 3 a 5 minutos antes de volver a encender si el funcionamiento se vio interrumpido.

# LIMPIEZA Y MANTENIMIENTO

## LIMPIEZA

Para limpiar el interior, utilice un trapo suave y una mezcla de una cucharada de bicarbonato de sosa disuelta en un cuarto de agua. Otras soluciones de limpieza que pueden utilizarse son espuma de jabón suave o detergente suave. Lave los estantes de vidrio con una solución de detergente suave, luego seque los estantes con un trapo suave. Limpie el exterior con un trapo suave húmedo y detergente suave o limpiador.

## CORTE DE CORRIENTE

La mayoría de los cortes de corriente se corrigen en una o dos horas y no afectan las temperaturas de su refrigerador. Sin embargo, usted deberá reducir la cantidad de veces que abre la puerta cuando la corriente está apagada. Durante los cortes de corriente de larga duración, tome medidas para proteger sus alimentos colocando un bloque de hielo seco sobre los paquetes.

## SIUD SE MUDA

Saque o asegure todos los artículos dentro (ej. parrillas) del refrigerador. Para evitar que los tomillos de nivel se averíen, gírelos completamente hacia la base.

## SUGERENCIAS PARA GUARDAR ALIMENTOS

El compartimento para Alimentos frescos

- Nunca cubra los estantes del compartimento para alimentos con papel de aluminio o cualquier otro material para cubrir estantes que puedan obstruir la circulación del aire.
- Siempre saque la envoltura porosa proveniente de la tienda, de toda la carne, pollo o pescado. La carne se debe envolver en forma individual. Envuelva el pollo en papel aluminio o papel encerado grueso. La mayoría de los pescados se deben usar el mismo día en que se compran. Las carnes empaquetadas como el jamón, tocino, carne seca o salchichas, se almacenan mejor en sus paquetes originales.
- Permita que los alimentos calientes se enfrien a temperatura ambiente antes de colocarlos en el refrigerador.
- Siempre cubra los platos con alimentos, especialmente los restos. Use los restos en 2 o 3 días.

## PERIODO DE VACACIONES

Para los periodos cortos de vacaciones, deje el control en su configuración normal. Durante los largos periodos de ausencia;

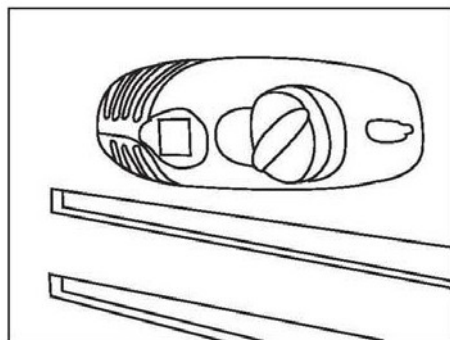
- (a) Saque todos los alimentos.
- (b) Desconecte el cable del tomacorriente.
- (c) Limpie bien el congelador, incluyendo la bandeja colectora (bandeja de descongelado) ubicada en el piso de la unidad.
- (d) Deje la puerta abierta para evitar la formación de olores.

### Reglas importantes para el uso correcto del refrigerador

- Nunca coloque alimentos calientes en el refrigerador.
- No sobrecargue el gabinete.
- No abra la puerta a menos que sea necesario.
- Si el congelador se guarda sin uso por periodos largos de tiempo, se sugiere que, luego de una limpieza cuidadosa, se deje la puerta entreabierta para permitir que el aire circule dentro de el gabinete y evitar una posible formación de condensación, moho u olores.

## CÓMO CAMBIAR LA BOMILLA DELUZ

- Débranchez le cordon d'alimentation du mur.
- Avant de la retirer, assurez-vous que l'ampoule a refroidi.
- Pressez simultanément les onglets en haut et en bas de la couverture de l'ampoule.
- Retirez le couvercle de l'ampoule.
- Dévissez l'ampoule.
- Remplacez-la par une ampoule de 10 watts qui est de la même forme et de la même taille.
- Remplacez le couvercle sur l'ampoule.



# SOLUCION SUGERIDA

Amenudo, los problemas son sencillos y no es necesario hacer una llamada de reparaci6n, use esta guia de resoluci6n de problemas para encontrar una posible soluci6n. Si la unidad sigue funcionando mal, llame a los numeros gratuitos de un centro Danby de servicio autorizado.

Tel: 1-800-26 **Danll.r**

PROBLEMA	POSSIBLE CAUSA	SOLUCION SUGERIDA
1) No funciona.	<ul style="list-style-type: none"> <li>• No llega alimentaci6n a la unidad.</li> <li>• Cable de alimentaci6n desenchufado.</li> <li>• Voltaje incorrecto.</li> </ul>	<ul style="list-style-type: none"> <li>• Revise la conexi6n del cable de alimentaci6n al enchufe.</li> <li>• Enchufe la unidad.</li> <li>• Use el voltaje correcto.</li> </ul>
2) El refrigerador funciona constantemente.	<ul style="list-style-type: none"> <li>• Temperatura demasiado baja</li> <li>• La puerta no esta cerrada.</li> <li>• Se coloc6 comida caliente.</li> <li>• Se abri6 la puerta demasiadas veces durante mucho tiempo.</li> <li>• Muy cerca de una fuente de calor obajo la luz directas del sol.</li> </ul>	<ul style="list-style-type: none"> <li>• Baje el control de temperatura.</li> <li>• Cierre bien la puerta.</li> <li>• Verifique que los alimentos estlm a temperatura ambiente antes de guardarlos.</li> <li>• Abra menos veces la puerta.</li> <li>• No coloque la unidad cerca de fuentes de calor o bajo la luz directas del sol.</li> </ul>
3) La temperatura intema no es muy fria.	<ul style="list-style-type: none"> <li>• No llega alimentaci6n a la unidad.</li> <li>• Cable de alimentaci6n desenchufado.</li> <li>• Temperatura demasiado alto</li> <li>• La puerta no esta cerrada.</li> <li>• Alimentos calientes.</li> <li>• Se abri6 la puerta demasiadas veces durante mucho tiempo.</li> <li>• Obstrucci6n del flujo de aire.</li> <li>• Voltaje incorrecto.</li> <li>• Muy cerca de una fuente de calor obajo la luz directas del sol.</li> </ul>	<ul style="list-style-type: none"> <li>• Revise la conexi6n del cable de alimentaci6n al enchufe.</li> <li>• Enchufe la unidad.</li> <li>• Verifique el ajuste y aumentelo como sea necesario.</li> <li>• Cierre bien la puerta.</li> <li>• Verifique que los alimentos <i>estlm</i> a temperatura ambiente.</li> <li>• Abra menos veces la puerta.</li> <li>• Deje lugar para que circule aire alrededor de la unidad.</li> <li>• Use el voltaje correcto.</li> <li>• No coloque la unidad cerca de fuentes de calor o bajo la luz directas del sol.</li> </ul>

# GARANTÍA LIMITADA PARA ELECTRODOMESTICOS

signer

há garantizado  
antepesa  
la dispone  
(ent

defectos de fabricación, incluyendo partes y mano de obra, siempre y cuando fue diseñado.  
sistema que haya comprado originalmente esta unidad directamente de nosotros o uno de sus distribuidores autorizados, y no es transferida.

## CONDICIONES DE LA GARANTÍA

días adicionales a partir de la fecha de la compra, sin las extensiones que sean, cualquier parte en buen estado de este producto que resulte estar reemplazada, si opción del fabricante, sin cargo para el comprador. ORU  
sico de limitar la cobertura de "Servicio en Dominillo" sujeto a la propia reglamenta servicio fuera del área limitada de "Servicio en Dominillo", el distribuidor de Servicio Autorizado más cercano. Consulte "Límites del servicio" incluido donde haya comprado la unidad, o llame al Taller de Servicio / calificado. Si esta unidad es reparada en otro lugar que no sea un Taller de Servicio, Danby no se hará responsable de ninguna forma y la garantía

de instalado en un lugar que se encuentra a 100 kilómetros (62 millas) o más de la unidad al Centro de servicios Danby autorizado más cercano, ya que no incluido por Danby para prestar servicios de garantía. Los cargos por transporte o no están cubiertos por esta garantía y son de responsabilidad del comprador.

será responsable por cualquier daño que haya sufrido los alimentos dentro o trasladada.

## EXCLUSIONES

la garantía, condiciones o representaciones, explícitas o implícitas, con las demás garantías, condiciones o representaciones, incluyendo cualquier garantía o legislación o sentido similar, quedan de esta forma expresamente excluidos. Incluyendo la propia unidad, sin importar el comprador excepto por la presente, indemnizar y proteger

## CONDICIONES GENERALES

no o la necesidad de reparación sea el producto

na defectuosa o hubiese instalado.

no está instalado en una vivienda particular,

actividad doméstica diseñado como unidad independiente

tránsito, guarde su recibo. En caso de necesitar

vicio de  
vicio en

f; if

|||

|||

h

lh.

111 i: J5"  
SERVICIO AUTORIZADO

si

1

|||

|||

|||

|||

! a t

e alrr  
ra

fi slf

!

mn

I-;

|||

|||

|||

|||

th:

U 'll'fi.

ttfi

8-

|||

|||

|||

|||

|||

i

Ie

!

|||

|||

|||

|||

|||

|||

til  
jilitl

|||

!

|||

|||

|||

|||

|||

|||

a

|||

!

|||

|||

|||

|||

|||

|||





# COMPACT REFRIGERATOR RÉFRIGÉRATEUR COMPACT REFRIGERADOR COMPACTO

**Model • Modèle • Modelo**  
**DCRM31WDD DCRM31BLDD**  
**DCRM31BSLDD**

## COMPACT REFRIGERATOR

The model number can be found on the serial plate located on the back panel of the unit.

All repair parts available for purchase or special order when you visit your nearest service depot. To request service and for the location of the service depot nearest you, call Danby toll free.

When requesting service or ordering parts, always provide the following information:

- Product Type
- Model Number
- Part Description

## REFRIGERADOR COMPACTO

El número de modelo se puede encontrar en la placa serial situada en el panel trasero de la unidad.

Todas las piezas de reparación disponibles para la compra o la orden especial cuando usted visita su depósito más cercano del servicio. Para pedir servicio y/o la localización del depósito del servicio lo más cerca posible usted, llame Danby gratis.

Al pedir servicio o pidiendo piezas, proporcione siempre la información siguiente:

- Tipo de Producto
- Número de Modelo
- Descripción de la Parte

## FRIGERATEUR COMPACT

Le nombre de modèle se trouve sur la plaque d'information sur la paroi arrière de l'appareil.

Toutes les pièces de rechange ou commandes spéciales sont disponibles de votre centre régional de service autorisé. Pour exiger le service et/ou le nom de votre centre de service régional, signalez le numéro sans frais de Danby.

Ayez les renseignements suivants la portée de la main lors de la commande de pièce ou service:

- Genre de produit
- Numéro de modèle
- Description de la pièce



Tel: 1-800-26-...  
(1-SOG-263-2629)