

Danby® *Designer*

- REFRIGERATOR
- RÉFRIGÉRATEUR

Owner's Use and Care Guide
Guide d'utilisation et soins de Propriétaire

Model • Modèle
DFF501WDD



TABLE OF CONTENTS

REFRIGERATOR SAFETY	3	REFRIGERATOR FEATURES	9
Proper Disposal of Your Old Refrigerator.....	3	Refrigerator Shelves.....	9
INSTALLATION INSTRUCTIONS	4	Crispers and Meat Drawer.....	9
Unpacking Your Refrigerator.....	4	Crisper Humidity Control.....	10
Location Requirements.....	4	Door Bin.....	10
Electrical Requirements.....	5	REFRIGERATOR CARE	10
Refrigerator Door.....	5	Cleaning.....	10
Adjust the Door.....	8	Changing the Light Bulb.....	11
Normal Sounds.....	8	Power Interruptions.....	11
REFRIGERATOR USE	8	Vacation and Moving Care.....	11
Ensuring Proper Air Circulation.....	8	TROUBLESHOOTING	11
Using the Control.....	8	ASSISTANCE OR SERVICE	13
		In the U.S.A.....	13
		In Canada.....	13
		Accessories.....	13
		WARRANTY	14

TABLE DES MATIÈRES

SÉCURITÉ DU RÉFRIGÉRATEUR	15	CARACTÉRISTIQUES DU RÉFRIGÉRATEUR	21
Mise au rebut de votre vieux réfrigérateur.....	15	Tablettes du réfrigérateur.....	21
INSTRUCTIONS D'INSTALLATION	16	Bacs à légumes et tiroir à viande.....	21
Déballage.....	16	Réglage de l'humidité dans le bac à légumes.....	22
Exigences d'emplacement.....	16	Balconnet de porte.....	22
Spécifications électriques.....	17	ENTRETIEN DU RÉFRIGÉRATEUR	22
Porte du réfrigérateur.....	17	Nettoyage.....	22
Ajustement de porte.....	20	Remplacement de l'ampoule d'éclairage.....	23
Sons normaux.....	20	Pannes de courant électrique.....	23
UTILISATION DU RÉFRIGÉRATEUR	20	Entretien avant les vacances ou lors d'un déménagement.....	23
Pour s'assurer d'une circulation d'air appropriée.....	20	DÉPANNAGE	24
Utilisation de la commande.....	20	ASSISTANCE OU SERVICE	25
		Accessoires.....	25
		GARANTIE	26

REFRIGERATOR SAFETY

Your safety and the safety of others are very important.

We have provided many important safety messages in this manual and on your appliance. Always read and obey all safety messages.



This is the safety alert symbol.

This symbol alerts you to potential hazards that can kill or hurt you and others.

All safety messages will follow the safety alert symbol and either the word "DANGER" or "WARNING." These words mean:

⚠ DANGER

You can be killed or seriously injured if you don't immediately follow instructions.

⚠ WARNING

You can be killed or seriously injured if you don't follow instructions.

All safety messages will tell you what the potential hazard is, tell you how to reduce the chance of injury, and tell you what can happen if the instructions are not followed.

IMPORTANT SAFETY INSTRUCTIONS

WARNING: To reduce the risk of fire, electric shock, or injury when using your refrigerator, follow these basic precautions:

- Plug into a grounded 3 prong outlet.
- Do not remove ground prong.
- Do not use an adapter.
- Do not use an extension cord.
- Disconnect power before servicing.
- Replace all parts and panels before operating.
- Remove doors from your old refrigerator.
- Use nonflammable cleaner.
- Keep flammable materials and vapors, such as gasoline, away from refrigerator.
- Use two or more people to move and install refrigerator.

SAVE THESE INSTRUCTIONS

State of California Proposition 65 Warnings:

WARNING: This product contains a chemical known to the State of California to cause cancer.

WARNING: This product contains a chemical known to the State of California to cause birth defects or other reproductive harm.

Proper Disposal of Your Old Refrigerator

⚠ WARNING

Suffocation Hazard

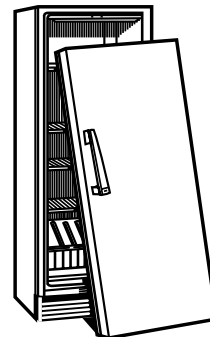
Remove doors from your old refrigerator.

Failure to do so can result in death or brain damage.

IMPORTANT: Child entrapment and suffocation are not problems of the past. Junked or abandoned refrigerators are still dangerous – even if they will sit for "just a few days." If you are getting rid of your old refrigerator, please follow these instructions to help prevent accidents.

Before you throw away your old refrigerator or freezer:

- Take off the doors.
- Leave the shelves in place so that children may not easily climb inside.



INSTALLATION INSTRUCTIONS

Unpacking Your Refrigerator

⚠ WARNING

Excessive Weight Hazard

Use two or more people to move and install refrigerator.

Failure to do so can result in back or other injury.

Removing packaging materials

- Remove tape and glue residue from surfaces before turning on the refrigerator. Rub a small amount of liquid dish soap over the adhesive with your fingers. Wipe with warm water and dry.
- Do not use sharp instruments, rubbing alcohol, flammable fluids, or abrasive cleaners to remove tape or glue. These products can damage the surface of your refrigerator. For more information, see the "Refrigerator Safety" section.
- To remove the transparent film that is on the nameplate, use your fingernail and peel off the film, starting from one side and peeling to the other.
- If your refrigerator has a stainless steel or Satina™ Stainless Look finish, remove the film.

When Moving Your Refrigerator:

Your refrigerator is heavy. When moving the refrigerator for cleaning or service, be sure to cover the floor with cardboard or hardboard to avoid floor damage. Always pull the refrigerator straight out when moving it. Do not wiggle or "walk" the refrigerator when trying to move it, as floor damage could occur.

Cleaning before use

After you remove all of the package materials, clean the inside of your refrigerator before using it. See the cleaning instructions in the "Refrigerator Care" section.

Important information to know about glass shelves and covers:

Do not clean glass shelves or covers with warm water when they are cold. Shelves and covers may break if exposed to sudden temperature changes or impact, such as bumping. Tempered glass is designed to shatter into many small, pebble-size pieces. This is normal. Glass shelves and covers are heavy. Use both hands when removing them to avoid dropping.

Location Requirements

⚠ WARNING



Explosion Hazard

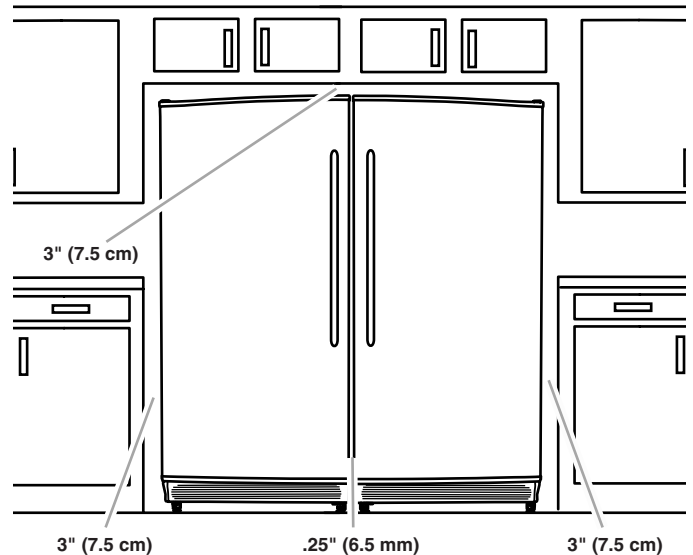
Keep flammable materials and vapors, such as gasoline, away from refrigerator.

Failure to do so can result in death, explosion, or fire.

IMPORTANT: Do not install the refrigerator near an oven, radiator, or other heat source, nor in a location where the temperature will fall below 40°F (5°C).

Allow at least 3" (7.5 cm) of air space at the top and on both sides of the refrigerator and 1" (2.5 cm) between the back of the refrigerator and the wall. If the refrigerator is to be against a wall, leave extra space on the hinge side so the door can open wider.

NOTE: This refrigerator may be installed side by side with another refrigerator or freezer. Allow for a 3" (7.5 cm) clearance at the top and sides and a 1/4" (0.64 cm) clearance between the appliances.



Electrical Requirements

⚠ WARNING



Electrical Shock Hazard

Plug into a grounded 3 prong outlet.

Do not remove ground prong.

Do not use an adapter.

Do not use an extension cord.

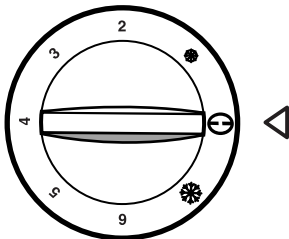
Failure to follow these instructions can result in death, fire, or electrical shock.

Before you move your refrigerator into its final location, it is important to make sure you have the proper electrical connection.

Recommended grounding method

A 115 Volt, 60 Hz., AC only 15- or 20-amp fused, grounded electrical supply is required. It is recommended that a separate circuit serving only your refrigerator be provided. Use an outlet that cannot be turned off by a switch. Do not use an extension cord.

NOTE: Before performing any type of installation, cleaning, or removing a light bulb, turn the Temperature Control to the OFF position as shown and then disconnect the refrigerator from the electrical source.



When you are finished, reconnect the refrigerator to the electrical source and reset the Temperature Control to the desired setting. See "Using the Control."

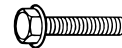
Refrigerator Door

TOOLS NEEDED: $\frac{5}{16}$ " hex head socket wrench, $\frac{5}{8}$ " hex head socket wrench, $\frac{1}{4}$ " hex head socket wrench, $\frac{1}{2}$ " hex head socket wrench, $\frac{3}{8}$ " hex head socket wrench, #2 Phillips screwdriver, flat-blade screwdriver, $\frac{5}{16}$ " open-end wrench, flat 2" putty knife.

IMPORTANT:

- All graphics referenced in the following instructions are included later in this section after "Final Steps." The graphics shown are for a right-hand swing door (hinges factory installed on the right).
- If you only want to remove and replace the door, see the "Remove Door and Hinges" and "Replace Door and Hinges."
- Before you begin, turn the control OFF, and remove food and adjustable door or utility bins from door.

Remove Door and Hinges



$\frac{5}{16}$ " Hex Head Hinge Screw

1. Unplug refrigerator or disconnect power.
2. Open refrigerator door and remove base grille from the bottom front of the refrigerator. See Base Grille Graphic 1A.
3. Close the refrigerator door and keep it closed until you are ready to lift it free from the cabinet.
NOTE: Provide additional support for the door while the hinges are being moved. Do not depend on the door magnets to hold the door in place while you are working.
4. Remove the parts for the top hinge as shown in Top Hinge Graphic 1B.
5. Lift the refrigerator door free from the lower hinge and cabinet and set aside.
6. Remove 3 hex head hinge screws and bottom hinge assembly. See Bottom Hinge Graphic 1C.

Reverse Door (optional on some models)

IMPORTANT: If you want to reverse your door so that it opens in the opposite direction, continue with “Reverse Door (optional)” instructions. If you are not reversing the door, see “Replace Door and Hinges.”

Cabinet

1. Remove the cabinet hinge hole plugs from the cabinet top and move them to the opposite side hinge holes as shown in Graphic 2.
2. Remove the door stop screws from the Bottom Hinge bracket. See Bottom Hinge Graphic 1C.
3. Remove the Hinge Pin Nut and Hinge Pin from the hinge bracket.
4. Rotate the hinge bracket for installation on the opposite side of the cabinet. See Graphic 3.
5. Reinstall the Hinge Pin Nut and Hinge Pin to the hinge bracket. Hinge Pin must point “up” when hinge bracket is installed to the cabinet.
6. Invert the door stop so that the countersunk holes line up with the screw holes in the hinge assembly. See Graphic 4.
7. Reinstall the door stop screws. See Graphic 3.
8. Reinstall the hinge assembly to the cabinet with the three hex-head hinge screws.

Handle

Move the door handle from one side of the door to the other.

Style 1

1. Loosen setscrews located on side of handle at each end. See Graphic 1-1.
2. Remove handle from grommets.
3. Using a ¼" hex head socket wrench, remove the grommets from the door.
4. Position the grommets on the opposite side of the door and reinstall.
5. Position the handle over grommets on the opposite side of the refrigerator door.
6. Ensure grommets are fitted into handle holes.
7. Tighten the upper and lower setscrews with hex key provided. Do not overtighten setscrews.

Style 2

1. Slide the handle up and off the clips. See Graphic 1-2.
2. Using a flat-blade screwdriver, remove the screws from the clips and remove the clips from the door.
3. Position the clips on the opposite side of the refrigerator door and reinstall the screws.
4. Position handle over the clips.
5. Apply even pressure and push down to lock in place.

Replace Door and Hinges

NOTE: Graphic may be reversed if door swing is reversed.

1. Replace the parts for the bottom hinge as shown and tighten screws. See Bottom Hinge Graphic 1C. Replace the refrigerator door.
NOTE: Provide additional support for the door while the hinges are being moved. Do not depend on the door magnets to hold the door in place while you are working.
2. Assemble the parts of the top hinge as shown in the Top Hinge Graphic 1B. Do not tighten the screws completely.
3. Line up the door so that the bottom aligns evenly with the cabinet. Tighten all screws.

Final Steps

1. Check all holes to make sure that hole plugs and screws are in place. Reinstall top hinge cover. See Top Hinge Graphic 1B.
2. Replace the base grille. See Base Grille Graphic 1A.

⚠ WARNING



Electrical Shock Hazard

Plug into a grounded 3 prong outlet.

Do not remove ground prong.

Do not use an adapter.

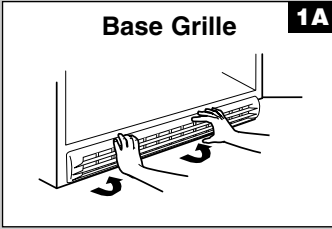
Do not use an extension cord.

Failure to follow these instructions can result in death, fire, or electrical shock.

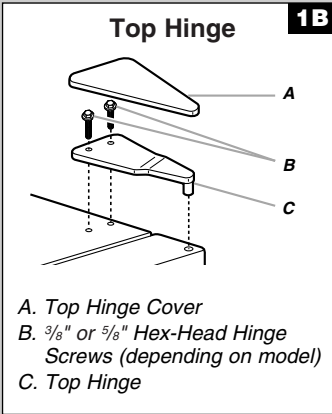
3. Plug into a grounded 3 prong outlet.
4. Reset the control. See “Using the Control.”
5. Return all removable door parts to door and food to refrigerator.

Door Removal & Replacement

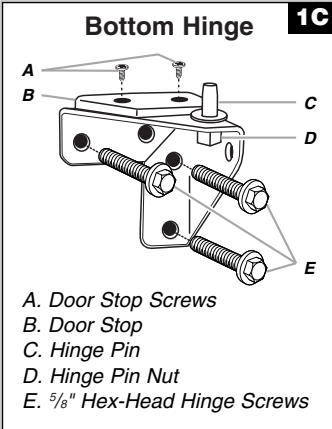
Base Grille **1A**



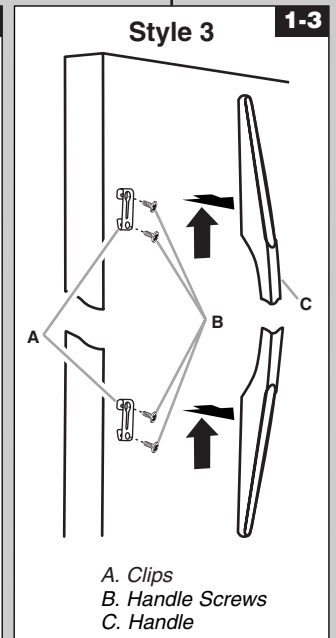
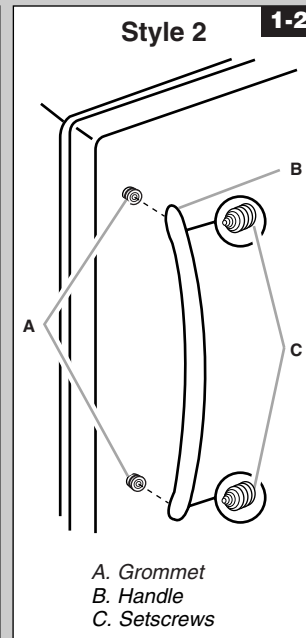
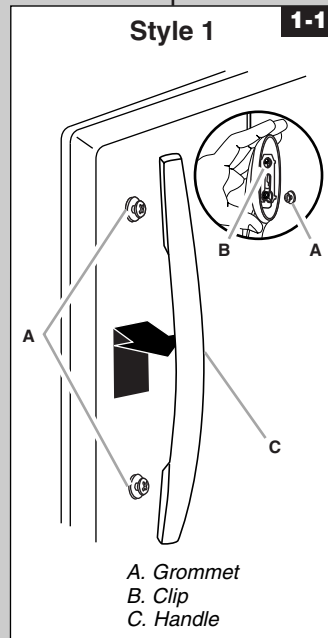
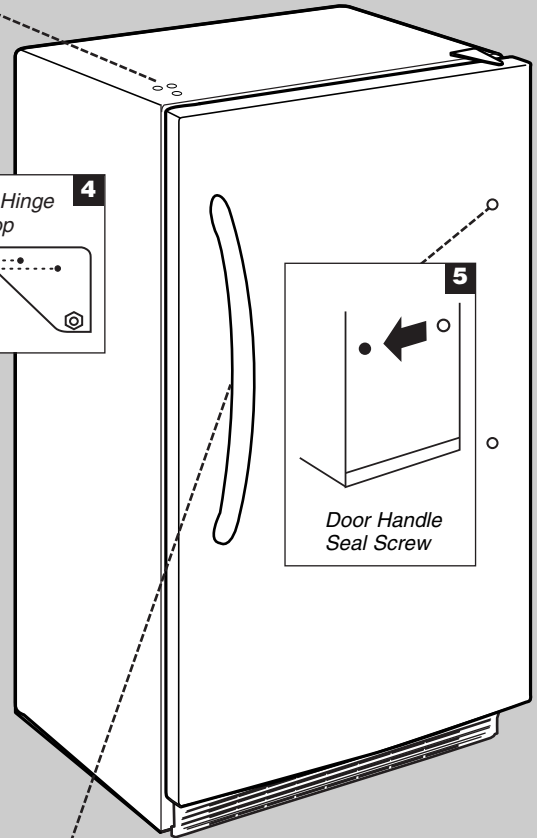
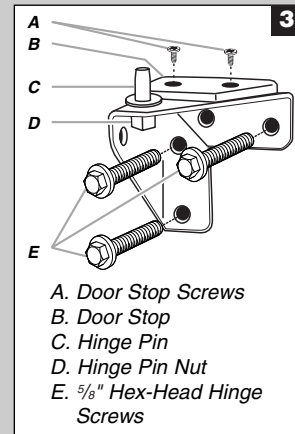
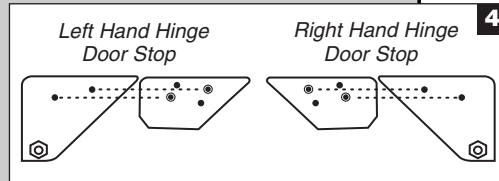
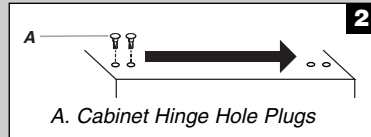
Top Hinge **1B**



Bottom Hinge **1C**



Door Swing Reversal (optional)

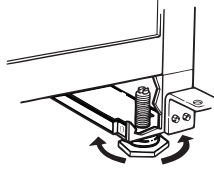


Adjust the Door

1. Locate the two front leveling legs taped among the packing materials.
2. Screw these legs into the front holes on the bottom of the refrigerator. The back of the refrigerator rests on two fixed supports.
3. Adjust the front legs just enough to lift the cabinet up off of the floor.

NOTE: If your model is equipped with rollers, the front legs should be lowered enough to lift the rollers off of the floor to ensure the refrigerator does not roll forward when the door is opened.

- Place a leveling tool on top of the refrigerator first side to side, then front to back. Turn leg counterclockwise to raise a corner. Turn leg clockwise to lower a corner.



4. Repeat Step 3 until refrigerator is level.
5. After refrigerator is fully loaded with food, recheck with level as in Step 3.

Normal Sounds

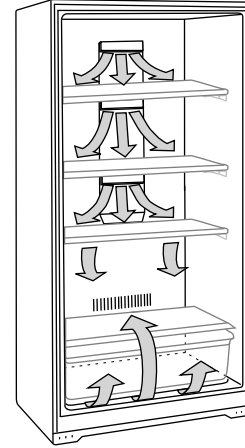
Your new refrigerator may make sounds that your old one didn't make. Because the sounds are new to you, you might be concerned about them. Most of the new sounds are normal. Hard surfaces, like the floor, walls, and cabinets, can make the sounds seem louder. The following describes the kinds of sounds and what may be making them.

- Your refrigerator is designed to run more efficiently to keep your food items at the desired temperatures and to minimize energy usage. The high efficiency compressor and fans may cause your refrigerator to run longer than your old one. You may also hear a pulsating or high-pitched sound from the compressor or fans adjusting to optimize performance.
- You may hear the evaporator fan motor circulating air through the refrigerator compartment. The fan speed may increase as you open the doors or add warm food.
- Rattling noises may come from the flow of refrigerant, the water line, or items stored on top of the refrigerator.
- Water dripping on the defrost heater during a defrost cycle may cause a sizzling sound.
- As each cycle ends, you may hear a gurgling sound due to the refrigerant flowing in your refrigerator.
- Contraction and expansion of the inside walls may cause a popping noise.
- You may hear air being forced over the condenser by the condenser fan.
- You may hear water running into the drain pan during the defrost cycle.

REFRIGERATOR USE

Ensuring Proper Air Circulation

In order to ensure proper temperature, you need to permit proper airflow in the refrigerator. As shown in the illustration, cool air enters through the refrigerator wall and moves down. The air then recirculates through the vent near the bottom.



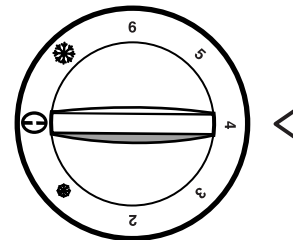
Do not block any of these vents with food packages. If the vents are blocked, airflow will be restricted, and temperature and moisture problems may occur.

IMPORTANT: To avoid odor transfer and drying out of food, wrap or cover foods tightly.

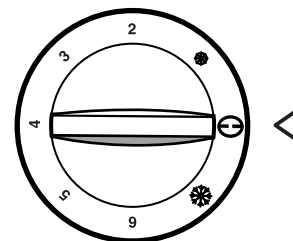
Using the Control

Setting the Control

For your convenience, your refrigerator control is preset at the factory. When you first install your refrigerator, make sure that the control is still preset to the mid-setting as shown.



NOTE: To turn your refrigerator OFF, turn the refrigerator control to the setting shown. Your refrigerator will not cool when the refrigerator control is set to the OFF position.



Adjusting the Control

Give the refrigerator time to cool down completely before adding food. It is best to wait 24 hours before putting food into the refrigerator. The control is set correctly when milk or juice is as cold as you like. Move the dial one setting at a time and wait 24 hours between adjustments.

IMPORTANT: If you add food before the refrigerator has cooled completely, your food may spoil. Turning the Temperature Control to a colder (higher) than recommended setting will not cool the compartment any faster.

NOTE: During high humidity, moisture may form on the outside of the refrigerator. To avoid rust, dry the refrigerator's exterior and reset the Temperature Control to a colder (higher) setting.

REFRIGERATOR FEATURES

Important information to know about glass shelves and covers:

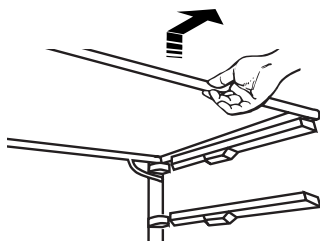
Do not clean glass shelves or covers with warm water when they are cold. Shelves and covers may break if exposed to sudden temperature changes or impact, such as bumping. Tempered glass is designed to shatter into many small, pebble-size pieces. This is normal. Glass shelves and covers are heavy. Use both hands when removing them to avoid dropping.

Refrigerator Shelves

Store similar foods together and adjust the shelves to fit different heights. This reduces the time the refrigerator door is open and saves energy.

To remove and replace a shelf:

1. Remove the shelf by pulling it forward slightly to align the shelf stops with the openings in the refrigerator compartment liner. Lift straight up, and pull the shelf out the rest of the way.



2. Replace the shelf by lowering the shelf stops through the openings in the refrigerator compartment liner. Slide the shelf in the rest of the way.

Crispers and Meat Drawer

Drawers

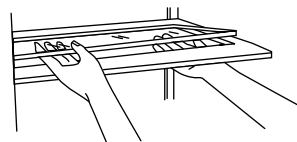
To remove and replace a drawer:

1. Slide drawer straight out to the stop. Lift the front of the drawer and slide it out the rest of the way.
2. Replace a drawer by sliding it back in fully past the stop.

Crisper Cover

To remove the crisper(s) cover:

1. Remove crisper(s). Hold the glass insert firmly with one hand and press up in the center of the glass insert until it rises above the plastic frame. Slowly slide the glass insert forward to remove.
2. Lift the cover frame and remove it.



To replace crisper cover:

1. Fit the back of the cover frame into the supports on the side walls of the refrigerator. Lower the front of the cover frame into place.
2. Slide the rear of the glass insert into the cover frame and lower the front into place.

Adjustable Meat Drawer (on some models)

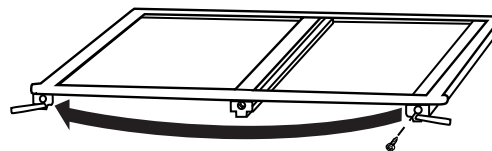
The meat drawer can be placed on either the right or left side of the refrigerator.

To move the meat drawer:

1. Remove the meat drawer and cover. See "Refrigerator Shelves" section.

NOTE: The meat drawer cover has one fixed support that runs down the center of the shelf. The outside support is the adjustable one.

2. Using a Phillips screwdriver, remove the adjustable support and move it to the other side of the meat drawer cover.



3. Place the meat drawer cover in the desired location and slide the meat drawer back into position.

Meat Storage Guide

Store most meat in original wrapping as long as it is airtight and moisture-proof. Rewrap if necessary. See the following chart for storage times. When storing meat longer than the times given, freeze the meat.

Fresh fish or shellfish..... use same day as purchased
Chicken, ground beef, variety meats (liver)..... 1-2 days
Cold cuts, steaks/roasts 3-5 days
Cured meats..... 7-10 days
Leftovers - Cover leftovers with plastic wrap, aluminum foil, or place in containers with tight fitting lids.

Crisper Humidity Control

(on some models)

You can adjust the amount of humidity in the moisture-sealed crisper using the settings between HIGH and LOW.

LOW (open) lets moist air out of the crisper for best storage of fruits and vegetables with skins.

- Fruit: Wash, let dry and store in refrigerator in plastic bag in crisper. Do not wash or hull berries until they are ready to use. Sort and keep berries in original container in crisper.
- Vegetables with skins: Place in plastic bag or plastic container and store in crisper.

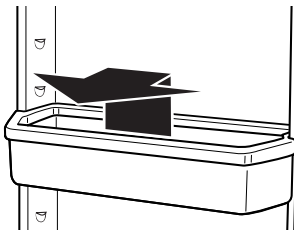
HIGH (closed) keeps moist air in the crisper for best storage of fresh, leafy vegetables.

- Leafy vegetables: Wash in cold water, drain and trim or tear off bruised and discolored areas. Place in plastic bag or plastic container and store in crisper.

Door Bin

To remove and replace the bin:

1. Remove the bin by tipping the front of the bin forward and sliding out.
2. Replace the bin by sliding it in above the desired support tilting it back into place.



REFRIGERATOR CARE

Cleaning

⚠ WARNING



Explosion Hazard

Use nonflammable cleaner.

Failure to do so can result in death, explosion, or fire.

Clean the refrigerator about once a month to keep odors from building up. Wipe up spills immediately.

To clean your refrigerator:

1. Unplug refrigerator or disconnect power.
2. Remove all removable parts from inside, such as shelves, crispers, etc.

3. Hand wash, rinse, and dry removable parts and interior surfaces thoroughly. Use a clean sponge or soft cloth and a mild detergent in warm water.
 - Do not use abrasive or harsh cleaners such as window sprays, scouring cleansers, flammable fluids, cleaning waxes, concentrated detergents, bleaches or cleansers containing petroleum products on plastic parts, interior and door liners or gaskets. Do not use paper towels, scouring pads, or other harsh cleaning tools. These can scratch or damage materials.
 - To help remove odors, you can wash interior walls with a mixture of warm water and baking soda (2 tbs to 1 qt [26 g to 0.95 L] of water).
4. Replace the removable parts.
5. Use the appropriate cleaning method for your exterior finish.

Painted metal: Wash exteriors with a clean sponge or soft cloth and a mild detergent in warm water. Do not use abrasive or harsh cleaners, or cleaners designed for stainless steel. Dry thoroughly with a soft cloth.

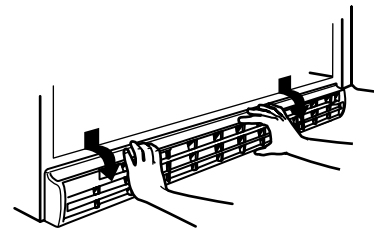
Stainless steel finish: Wash with a clean sponge or soft cloth and a mild detergent in warm water. Do not use abrasive or harsh cleaners. Dry thoroughly with a soft cloth.

- To keep your stainless steel refrigerator looking like new and to remove minor scuffs or marks, it is suggested that you use the manufacturer's approved Stainless Steel Cleaner and Polish.

IMPORTANT: This cleaner is for stainless steel parts only!

Do not allow the Stainless Steel Cleaner and Polish to come into contact with any plastic parts such as the trim pieces, dispenser covers or door gaskets. If unintentional contact does occur, clean plastic part with a sponge and mild detergent in warm water. Dry thoroughly with a soft cloth.

6. Clean the condenser coils regularly. Coils may need to be cleaned as often as every other month. This may help save energy.
 - Open the refrigerator door and remove the base grille by pulling down and out from the top.

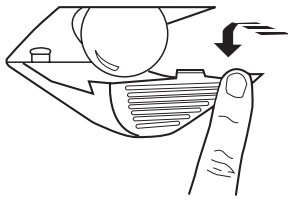


- Remove the defrost pan and clean it using a clean sponge or soft cloth and a mild detergent in warm water. Hand wash, rinse, and dry it thoroughly.
 - Use a vacuum with an extended attachment to clean the condenser coils when they are dusty or dirty.
 - Replace the defrost pan.
 - Replace the base grille by putting the clips in the openings in the refrigerator panel. Push in until the base grille snaps into place.
7. Plug in refrigerator or reconnect power.

Changing the Light Bulb

NOTE: Not all appliance bulbs will fit your refrigerator. Be sure to replace the bulb with one of the same size, shape, and wattage.

1. Unplug refrigerator or disconnect power.
2. Remove the light shield. From the front of the light shield, push backward and down.



3. Replace the light bulb with an appliance bulb of the same wattage.
4. Replace the light shield.
5. Plug in refrigerator or reconnect power.

Power Interruptions

If the power will be out for 24 hours or less, keep the door closed to help food stay cold.

If the power will be out for more than 24 hours, consume or can perishable food at once.

REMEMBER: If the condition of the food is poor, dispose of it.

Vacation and Moving Care

Vacations

If you choose to leave the refrigerator on while you're away, use up any perishables and freeze other items.

If you choose to turn the refrigerator off before you leave, follow these steps.

1. Remove all food from the refrigerator.
2. Turn the control to the off position. See "Using the Control."
3. Clean refrigerator, wipe it, and dry well.
4. Tape rubber or wood blocks to the tops of both doors to prop them open far enough for air to get in. This stops odor and mold from building up.

Moving

When you are moving your refrigerator to a new home, follow these steps to prepare it for the move.

1. Remove all food from the refrigerator.
2. Turn the Control to the off position. See "Using the Control."
3. Unplug refrigerator.
4. Empty water from the defrost pan.
5. Clean, wipe, and dry thoroughly.
6. Take out all removable parts, wrap them well, and tape them together so they don't shift and rattle during the move.
7. Screw in the leveling legs so they don't scrape the floor. See "Adjust the Door."
8. Tape the doors shut and the power cord to the refrigerator cabinet.

When you get to your new home, put everything back and refer to "Installation Instructions" for preparation instructions.

TROUBLESHOOTING

Try the solutions suggested here first in order to avoid the cost of an unnecessary service call.

Your refrigerator will not operate

⚠ WARNING



Electrical Shock Hazard

Plug into a grounded 3 prong outlet.

Do not remove ground prong.

Do not use an adapter.

Do not use an extension cord.

Failure to follow these instructions can result in death, fire, or electrical shock.

- **Is the power supply cord unplugged?** Plug into a grounded 3 prong outlet.

- **Has a household fuse blown or circuit breaker tripped?** Replace the fuse or reset the circuit.
- **Is the Refrigerator Control turned to the OFF position?** See "Using the Control."
- **Is the refrigerator defrosting?** Recheck to see whether the refrigerator is operating in 30 minutes. Your refrigerator will regularly run an automatic defrost cycle.

The lights do not work

⚠ WARNING



Electrical Shock Hazard

Plug into a grounded 3 prong outlet.

Do not remove ground prong.

Do not use an adapter.

Do not use an extension cord.

Failure to follow these instructions can result in death, fire, or electrical shock.

- **Is the power supply cord unplugged?** Plug into a grounded 3 prong outlet.
- **Is a light bulb loose in the socket or burned out?** See “Changing the Light Bulb.”

There is water in the defrost drain pan

- **Is the refrigerator defrosting?** The water will evaporate. It is normal for water to drip into the defrost pan.
- **Is it more humid than normal?** Expect that the water in the defrost pan will take longer to evaporate. This is normal when it is hot or humid.

The motor seems to run too much

- **Is the room temperature hotter than normal?** Expect the motor to run longer under warm conditions. At normal room temperatures, expect your motor to run about 40% to 80% of the time. Under warmer conditions, expect it to run even more of the time.
- **Has a large amount of food just been added to the refrigerator?** Adding a large amount of food warms the refrigerator. It is normal for the motor to run longer in order to cool the refrigerator back down. See “Refrigerator Features.”
- **Is the door opened often?** Expect the motor to run longer when this occurs. In order to conserve energy, try to get everything you need out of the refrigerator at once, keep food organized so it is easy to find, and close the door as soon as the food is removed.
- **Is the control set correctly for the surrounding conditions?** See to “Using the Control.”
- **Is the door closed completely?** Push the door firmly shut. If it will not shut all the way, see “The door is difficult to open or will not close completely” later in this section.
- **Are the condenser coils dirty?** This blocks air transfer and makes the motor work harder. Clean the condenser coils. See “Refrigerator Care.”

NOTE: Due to its high-efficiency motor, your new refrigerator will run longer than your old one.

The refrigerator seems to make too much noise

- **The sounds may be normal for your refrigerator.** See “Normal Sounds.”

Temperature is too warm

- **Are the air vents blocked?** Remove any objects from in front of the air vents. See “Ensuring Proper Air Circulation” for the location of air vents.
- **Is the door opened often?** Be aware that the refrigerator will warm when this occurs. To keep the refrigerator cool, try to get everything you need out of the refrigerator at once, keep food organized so it is easy to find, and close the door as soon as the food is removed.
- **Has a large amount of food just been added to the refrigerator?** Adding a large amount of food warms the refrigerator. It can take several hours for the refrigerator to return to the normal temperature.
- **Is the control set correctly for the surrounding conditions?** See “Using the Control.”

There is interior moisture buildup

- **Are the air vents blocked in the refrigerator?** Remove any objects from in front of the air vents. See “Ensuring Proper Air Circulation” for the location of air vents.
- **Is the door opened often?** To avoid humidity buildup, try to get everything you need out of the refrigerator at once, keep food organized so it is easy to find, and close the door as soon as the food is removed. (When the door is opened, humidity from the room air enters the refrigerator. The more often the door is opened, the faster humidity builds up, especially when the room itself is very humid.)
- **Is the room humid?** It is normal for moisture to build up inside the refrigerator when the room air is humid.
- **Is the food packaged correctly?** Check that all food is securely wrapped. If necessary, repack food according to the guidelines in “Refrigerator Features.” Wipe off damp food containers before placing in the refrigerator.
- **Is the control set correctly for the surrounding conditions?** See “Using the Control.”
- **Was a self-defrost cycle completed?** It is normal for droplets to form on the back wall after the refrigerator self-defrosts.

The door is difficult to open or will not close completely

⚠ WARNING



Explosion Hazard

Use nonflammable cleaner.

Failure to do so can result in death, explosion, or fire.

- **Are the gaskets dirty or sticky?** Clean gaskets according to the directions in “Refrigerator Care.”
- **Are food packages blocking the door open?** Rearrange containers so that they fit more tightly and take up less space.
- **Are the crisper cover, pans, shelves, bins, or baskets out of position?** Put the crisper cover and all pans, shelves, bins, and baskets back into their correct positions. See “Refrigerator Features” for more information.
- **Does the refrigerator wobble or seem unstable?** Level the refrigerator. See “Adjust the Door.”

ASSISTANCE OR SERVICE

Before calling for assistance or service, please check “Troubleshooting.” It may save you the cost of a service call. If you still need help, follow the instructions below.

When calling, please know the purchase date and the complete model and serial number of your appliance. This information will help us to better respond to your request.

If You Need Replacement Parts

If you need to order replacement parts, we recommend that you only use factory specified replacement parts. Factory specified replacement parts will fit right and work right because they are made with the same precision used to build every new WHIRLPOOL® appliance.

To locate factory specified replacement parts in your area, call us or your nearest designated service center.

In the U.S.A.

For assistance, installation or service call Whirlpool® Appliances toll free: **1-800-253-1301**.

Our consultants provide assistance with:

- Features and specifications on our full line of appliances.
- Installation information.
- Use and maintenance procedures.
- Accessory and repair parts sales.
- Specialized customer assistance (Spanish speaking, hearing impaired, limited vision, etc.).
- Referrals to local dealers, repair parts distributors, and service companies. Whirlpool designated service technicians are trained to fulfill the product warranty and provide after-warranty service, anywhere in the United States.

To locate the Whirlpool designated service company in your area, you can also look in your telephone directory Yellow Pages.

For Further Assistance

If you need further assistance, you can write to Whirlpool with any questions or concerns at:

Whirlpool Brand Home Appliances
Customer eXperience Center
553 Benson Road
Benton Harbor, MI 49022-2692

Please include a daytime phone number in your correspondence.

In Canada

For assistance, installation or service call toll free: **1-800-807-6777**.

Our consultants provide assistance with:

- Features and specifications on our full line of appliances.
- Use and maintenance procedures.
- Accessory and repair parts sales.
- Referrals to local dealers, repair parts distributors, and service companies. Whirlpool designated service technicians are trained to fulfill the product warranty and provide after-warranty service, anywhere in Canada.

For Further Assistance

If you need further assistance, you can write to Whirlpool with any questions or concerns at:

Whirlpool Brand Home Appliances
Customer eXperience Center
200 – 6750 Century Ave.
Mississauga, ON L5N 0B7

Please include a daytime phone number in your correspondence.

Accessories

To order accessories, call **1-800-253-1301** or contact your authorized Whirlpool dealer. In Canada, call **1-800-807-6777**.

Danby[®] Designer LIMITED IN-HOME APPLIANCE WARRANTY

This quality product is warranted to be free from manufacturer's defects in material and workmanship, provided that the unit is used under the normal operating conditions intended by the manufacturer.

This warranty is available only to the person to whom the unit was originally sold by Danby Products Limited (Canada) or Danby Products Inc. (U.S.A.) (hereafter "Danby") or by an authorized distributor of Danby, and is non-transferable.

TERMS OF WARRANTY

Plastic parts, are warranted for thirty (30) days only from purchase date, with no extensions provided.

First 18 Months During the first eighteen (18) months, any functional parts of this product found to be defective, will be repaired or replaced, at warrantor's option, at no charge to the ORIGINAL purchaser.

To obtain Service Danby reserves the right to limit the boundaries of "In Home Service" to the proximity of an Authorized Service Depot. Any appliance requiring service outside the limited boundaries of "In Home Service", it will be the consumer's responsibility to transport the appliance (at their own expense) to the original retailer (point of purchase) or a service depot for repair. See "Boundaries of In Home Service" below. Contact your dealer from whom your unit was purchased, or contact your nearest authorized Danby service depot, where service must be performed by a qualified service technician.

If service is performed on the unit by anyone other than an authorized service depot, or the unit is used for commercial application, all obligations of Danby under this warranty shall be void.

Boundaries of In Home Service If the appliance is installed in a location that is 100 kilometers (62 miles) or more from the nearest service center your unit must be delivered to the nearest authorized Danby Service Depot, as service must only be performed by a technician qualified and certified for warranty service by Danby. Transportation charges to and from the service location are not protected by this warranty and are the responsibility of the purchaser.

Nothing within this warranty shall imply that Danby will be responsible or liable for any spoilage or damage to food or other contents of this appliance, whether due to any defect of the appliance, or its use, whether proper or improper.

EXCLUSIONS

Save as herein provided, Danby, there are no other warranties, conditions, representations or guarantees, express or implied, made or intended by Danby or its authorized distributors and all other warranties, conditions, representations or guarantees, including any warranties, conditions, representations or guarantees under any Sale of Goods Act or like legislation or statute is hereby expressly excluded. Save as herein provided, Danby shall not be responsible for any damages to persons or property, including the unit itself, howsoever caused or any consequential damages arising from the malfunction of the unit and by the purchase of the unit, the purchaser does hereby agree to indemnify and hold harmless Danby from any claim for damages to persons or property caused by the unit.

GENERAL PROVISIONS

No warranty or insurance herein contained or set out shall apply when damage or repair is caused by any of the following:

- 1) Power failure.
- 2) Damage in transit or when moving the appliance.
- 3) Improper power supply such as low voltage, defective house wiring or inadequate fuses.
- 4) Accident, alteration, abuse or misuse of the appliance such as inadequate air circulation in the room or abnormal operating conditions (extremely high or low room temperature).
- 5) Use for commercial or industrial purposes (ie. If the appliance is not installed in a domestic residence).
- 6) Fire, water damage, theft, war, riot, hostility, acts of God such as hurricanes, floods etc.
- 7) Service calls resulting in customer education.
- 8) Improper Installation (ie. Building-in of a free standing appliance or using an appliance outdoors that is not approved for outdoor application).

Proof of purchase date will be required for warranty claims; so, please retain bills of sale. In the event warranty service is required, present this document to our AUTHORIZED SERVICE DEPOT.

Danby Products Limited
PO BOX 1778 Guelph, Ontario, Canada N1H 6Z9
Telephone: (519) 837-0920 FAX: (519) 837-0449

1-800-263-2629

Danby Products Inc.
PO BOX 669 Findlay, Ohio, U.S.A. 45840
Telephone: (419) 425-8627 FAX: (419) 425-8629

SÉCURITÉ DU RÉFRIGÉRATEUR

Votre sécurité et celle des autres est très importante.

Nous donnons de nombreux messages de sécurité importants dans ce manuel et sur votre appareil ménager. Assurez-vous de toujours lire tous les messages de sécurité et de vous y conformer.



Voici le symbole d'alerte de sécurité.

Ce symbole d'alerte de sécurité vous signale les dangers potentiels de décès et de blessures graves à vous et à d'autres.

Tous les messages de sécurité suivront le symbole d'alerte de sécurité et le mot "DANGER" ou "AVERTISSEMENT". Ces mots signifient :

! DANGER

Risque possible de décès ou de blessure grave si vous ne suivez pas immédiatement les instructions.

! AVERTISSEMENT

Risque possible de décès ou de blessure grave si vous ne suivez pas les instructions.

Tous les messages de sécurité vous diront quel est le danger potentiel et vous disent comment réduire le risque de blessure et ce qui peut se produire en cas de non-respect des instructions.

IMPORTANTES INSTRUCTIONS DE SÉCURITÉ

AVERTISSEMENT : Pour réduire les risques d'incendie, de choc électrique ou des blessures lors de l'utilisation du réfrigérateur, prendre quelques précautions fondamentales, y compris les suivantes :

- Brancher l'appareil sur une prise à 3 alvéoles reliée à la terre.
- Ne pas enlever la broche de liaison à la terre.
- Ne pas utiliser un adaptateur.
- Ne pas utiliser un câble de rallonge.
- Utiliser deux ou plus de personnes pour déplacer et installer le réfrigérateur.
- Débrancher la source de courant électrique avant l'entretien.
- Replacer pièces et panneaux avant de faire la remise en marche.
- Utiliser un produit de nettoyage ininflammable.
- Garder les matériaux et les vapeurs inflammables, telle que l'essence, loin du réfrigérateur.
- Enlever les portes de votre vieux réfrigérateur.

CONSERVEZ CES INSTRUCTIONS

Avertissements de la proposition 65 de l'État de Californie :

AVERTISSEMENT : Ce produit contient un produit chimique connu par l'État de Californie pour être à l'origine de cancers.

AVERTISSEMENT : Ce produit contient un produit chimique connu par l'État de Californie pour être à l'origine de malformations et autres déficiences de naissance.

Mise au rebut de votre vieux réfrigérateur

! AVERTISSEMENT

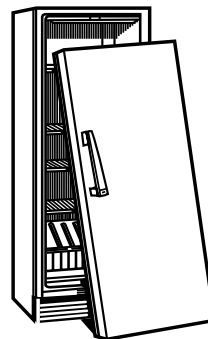
Risque de suffoquer

Enlever les portes de votre vieux réfrigérateur.

Le non-respect de cette instruction peut causer un décès ou des lésions cérébrales.

Avant de jeter votre vieux réfrigérateur ou congélateur :

- Enlever les portes.
- Laisser les tablettes en place de sorte que les enfants ne peuvent pas facilement se glisser à l'intérieur.



IMPORTANT : L'emprisonnement et l'étouffement des enfants ne sont pas un problème du passé. Les réfrigérateurs jetés ou abandonnés sont encore dangereux, même s'ils sont abandonnés pendant "quelques jours seulement". Si vous vous débarrassez de votre vieux réfrigérateur, veuillez suivre les instructions suivantes pour aider à éviter les accidents.

INSTRUCTIONS D'INSTALLATION

Déballage

⚠ AVERTISSEMENT

Risque du poids excessif

Utiliser deux ou plus de personnes pour déplacer et installer le réfrigérateur.

Le non-respect de cette instruction peut causer une blessure au dos ou d'autre blessure.

Enlèvement des matériaux d'emballage

- Enlever le ruban adhésif et la colle des surfaces du réfrigérateur avant de le brancher. Frotter une petite quantité de savon liquide pour la vaisselle sur l'adhésif avec les doigts. Rincer à l'eau tiède et essuyer.
- Ne pas utiliser d'instruments coupants, d'alcool à friction, de liquides inflammables ou de nettoyeurs abrasifs pour enlever le ruban adhésif ou la colle. Ces produits peuvent endommager la surface de votre réfrigérateur. Pour plus de renseignements, voir la section "Sécurité du réfrigérateur".
- Pour enlever la pellicule (transparente) sur la plaque de la marque, utiliser vos ongles et retirer la pellicule en procédant d'un côté à l'autre.
- Si le fini du réfrigérateur est en acier inoxydable ou d'apparence acier inoxydable Satina™, enlever la pellicule.

Déplacement de votre réfrigérateur :

Votre réfrigérateur est lourd. Lors du déplacement de votre réfrigérateur pour le nettoyage ou un entretien ou réparation, veiller à recouvrir le plancher avec du carton ou un panneau de fibres dures pour éviter qu'il ne subisse tout dommage. Toujours tirer le réfrigérateur tout droit lors de son déplacement. Ne pas incliner le réfrigérateur d'un côté ou de l'autre ni le "faire marcher" en essayant de le déplacer car le plancher pourrait être endommagé.

Nettoyage avant l'utilisation

Après avoir enlevé tous les matériaux d'emballage, nettoyer l'intérieur du réfrigérateur avant de l'utiliser. Voir les instructions de nettoyage dans la section "Entretien du réfrigérateur".

Importants renseignements à savoir au sujet des tablettes et des couvercles en verre :

Ne pas nettoyer les tablettes ou couvercles en verre avec de l'eau tiède quand ils sont froids. Les tablettes et les couvercles peuvent se briser s'ils sont exposés à des changements soudains de température ou à un impact tel que coup brusque. Le verre trempé est conçu pour éclater en d'innombrables pièces minuscules. Ceci est normal. Les tablettes et les couvercles en verre sont lourds. Les saisir à deux mains lors de leur dépose afin d'éviter de les faire tomber.

Exigences d'emplacement

⚠ AVERTISSEMENT



Risque d'explosion

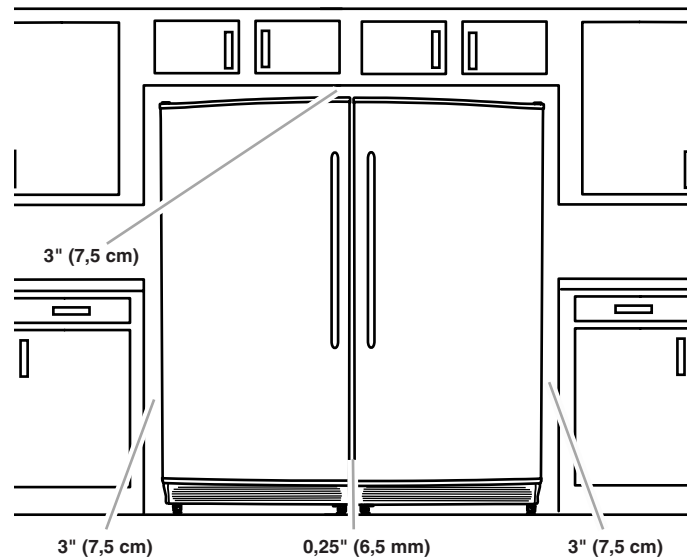
Garder les matériaux et les vapeurs inflammables, telle que l'essence, loin du réfrigérateur.

Le non-respect de cette instruction peut causer un décès, une explosion ou un incendie.

IMPORTANT : Ne pas installer le réfrigérateur près d'un four, d'un radiateur ou d'une autre source de chaleur, ni dans un endroit où la température baissera au-dessous de 40°F (5°C).

Laisser un espace d'au moins 3" (7,5 cm) en haut et des deux côtés du réfrigérateur et de 1" (2,5 cm) entre l'arrière du réfrigérateur et le mur. Si le réfrigérateur doit être contre un mur, laisser un espace plus grand du côté des charnières pour que la porte puisse s'ouvrir plus.

REMARQUE : Ce réfrigérateur peut être installé côte à côte avec un autre réfrigérateur ou congélateur. Laisser un dégagement de 3" (7,5 cm) sur le dessus et les côtés et un dégagement de 1/4" (0,64 cm) entre les appareils.



Spécifications électriques

⚠ AVERTISSEMENT



Risque de choc électrique

Brancher sur une prise à 3 alvéoles reliée à la terre.

Ne pas enlever la broche de liaison à la terre.

Ne pas utiliser un adaptateur.

Ne pas utiliser un câble de rallonge.

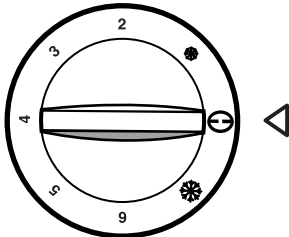
Le non-respect de ces instructions peut causer un décès, un incendie ou un choc électrique.

Avant de placer le réfrigérateur à son emplacement final, il est important de vous assurer d'avoir la connexion électrique appropriée.

Méthode recommandée de mise à la terre

Une source d'alimentation de 115 volts, 60 Hz, type 15 ou 20 ampères CA seulement, protégée par fusibles et adéquatement mise à la terre est nécessaire. Il est recommandé d'utiliser un circuit distinct pour alimenter uniquement votre réfrigérateur. Utiliser une prise murale qui ne peut pas être mise hors circuit à l'aide d'un commutateur. Ne pas employer de rallonge.

REMARQUE : Avant d'exécuter tout type d'installation, nettoyage ou remplacement d'une ampoule d'éclairage, tourner la température à la position d'arrêt tel qu'illustré et débrancher ensuite le réfrigérateur de la source d'alimentation électrique.



Lorsque vous avez terminé, reconnecter le réfrigérateur à la source d'alimentation électrique et mettre de nouveau le réglage de la température au réglage désiré. Voir "Utilisation de la commande".

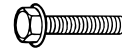
Porte du réfrigérateur

OUTILLAGE NÉCESSAIRE : Clé à douille à tête hexagonale de $\frac{5}{16}$ " , clé à douille à tête hexagonale de $\frac{3}{8}$ " , clé à douille à tête hexagonale de $\frac{1}{4}$ " , clé à douille à tête hexagonale de $\frac{1}{2}$ " , clé à douille à tête hexagonale de $\frac{3}{8}$ " , tournevis Phillips n° 2, tournevis à lame plate, clé plate de $\frac{5}{16}$ " , couteau à mastic plat de 2" .

IMPORTANT :

- Toutes les illustrations mentionnées dans les instructions suivantes sont incluses plus loin dans cette section après "Étapes finales". Les illustrations correspondent à une porte s'ouvrant à droite (charnières installées à droite à l'usine).
- Si vous désirez seulement enlever et réinstaller la porte, voir "Démontage - Porte et charnières" et "Réinstallation - Porte et charnières".
- Avant de commencer, tourner la commande à la position d'arrêt, et retirer les aliments et tout balconnet réglable ou compartiment utilitaire des portes.

Démontage - Porte et charnières



Vis de charnière à tête hexagonale de $\frac{5}{16}$ "

1. Débrancher le réfrigérateur ou déconnecter la source de courant électrique.
2. Ouvrir la porte du réfrigérateur et ôter la grille de la base située à l'avant de la partie inférieure du réfrigérateur. Voir la grille de la base sur l'illustration 1A.
3. Fermer la porte du réfrigérateur; la maintenir fermée jusqu'au moment où on est prêt à la séparer de la caisse de l'appareil.
REMARQUE : Prévoir un support additionnel de la porte pendant la réinstallation des charnières. La force d'attraction des aimants de la porte ne suffit pas à la maintenir en place.
4. Retirer les pièces de la charnière supérieure. Voir l'illustration 1B de la charnière supérieure.
5. Soulever la porte du réfrigérateur pour la séparer de la charnière inférieure et de la caisse et la conserver à part.
6. Retirer les trois vis de charnière à tête hexagonale et la charnière inférieure. Voir l'illustration 1C de la charnière inférieure.

Inversion du sens d'ouverture de la porte (facultatif - sur certains modèles)

IMPORTANT : Si vous souhaitez inverser le sens d'ouverture de la porte, suivre les instructions de la section "Inversion du sens d'ouverture de la porte (facultatif)". S'il n'est pas nécessaire de changer l'orientation de la porte, voir "Réinstallation - Porte et charnières".

Caisse

1. Enlever les bouchons d'obturation des trous de charnière au sommet de la caisse; transférer ceux-ci dans les trous de charnière du côté opposé. Voir l'illustration 2.
2. Retirer les vis de butée de porte de la charnière. Voir l'illustration 1C de la charnière inférieure.
3. Retirer l'écrou de l'axe de la charnière et l'axe de la charnière du support de la charnière.
4. Faire pivoter la charnière pour installer la porte sur le côté opposé de la caisse. Voir l'illustration 3.
5. Réinstaller l'écrou de l'axe de la charnière et l'axe de la charnière. L'axe de la charnière doit pointer vers le haut lorsque la charnière est installée sur la caisse.
6. Inverser la butée de porte de façon à ce que les fraises soient alignées avec les trous des vis sur la charnière. Voir l'illustration 4.
7. Réinstaller les vis de butée de porte. Voir l'illustration 3.
8. Réinstaller la charnière sur la caisse à l'aide des trois vis de charnière à tête hexagonale.

Poignée

Retirer la poignée et la transférer d'un côté à l'autre de la porte.

Style 1

1. Dégager les vis de montage situées sur le côté de la poignée à chaque extrémité. Voir l'illustration 1-1.
2. Retirer la poignée des œillets.
3. À l'aide d'une clé à douille à tête hexagonale de ¼" retirer les œillets de la porte.
4. Place les œillets sur le côté opposé de la porte du congélateur et réinstaller.
5. Placer la poignée sur les œillets sur le côté opposé de la porte du réfrigérateur.
6. Vérifier que les œillets sont face aux trous de la poignée.
7. Serrer les vis de montage supérieures et inférieures à l'aide de la clé à tête hexagonale fournie. Ne pas serrer excessivement les vis de montage.

Style 2

1. Faire glisser la poignée vers le haut hors des attaches. Voir l'illustration 1-2.
2. À l'aide d'un tournevis à lame plate, ôter les vis des attaches et retirer les attaches de la porte.
3. Placer les attaches sur le côté opposé de la porte du réfrigérateur et réinstaller les vis.
4. Placer la poignée sur les attaches.
5. Appliquer une pression uniforme et pousser vers le bas pour bloquer la poignée en place.

Réinstallation - Porte et charnières

REMARQUE : Si on inverse le sens d'ouverture de la porte, considérer l'image symétrique.

1. Replacer les pièces de la charnière inférieure tel qu'illustré et serrer les vis. Voir l'illustration 1C de la charnière inférieure. Réinstaller la porte du réfrigérateur.

REMARQUE : Prévoir un support additionnel de la porte pendant la réinstallation des charnières. La force d'attraction des aimants de la porte ne suffit pas à la maintenir en place.

2. Assembler les pièces de la charnière supérieure. Voir l'illustration 1B de la charnière supérieure. Ne pas complètement serrer les vis.
3. Aligner la porte de façon à ce que la ligne inférieure soit de niveau avec la caisse. Serrer toutes les vis.

Étapes finales

1. Inspecter tous les trous. Vérifier que tous les bouchons d'obturation et vis sont en place. Réinstaller le couvercle de la charnière supérieure. Voir l'illustration 1B de la charnière supérieure.
2. Réinstaller la grille de la base. Voir la grille de la base sur l'illustration 1A.

⚠ AVERTISSEMENT



Risque de choc électrique

Brancher sur une prise à 3 alvéoles reliée à la terre.

Ne pas enlever la broche de liaison à la terre.

Ne pas utiliser un adaptateur.

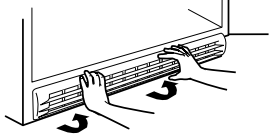
Ne pas utiliser un câble de rallonge.

Le non-respect de ces instructions peut causer un décès, un incendie ou un choc électrique.

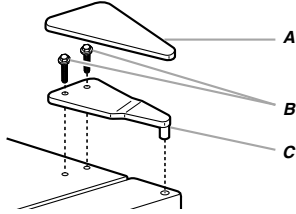
3. Brancher sur une prise à 3 alvéoles reliée à la terre.
4. Réinitialiser les commandes. Voir "Utilisation de la commande".
5. Réinstaller l'ensemble des pièces amovibles de la porte et remettre les aliments dans le réfrigérateur.

Dépose et réinstallation de la porte

Grille de la base **1A**

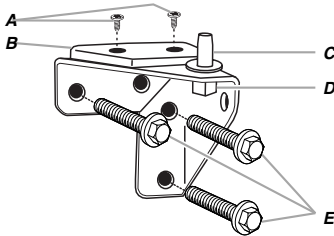


Charnière supérieure **1B**



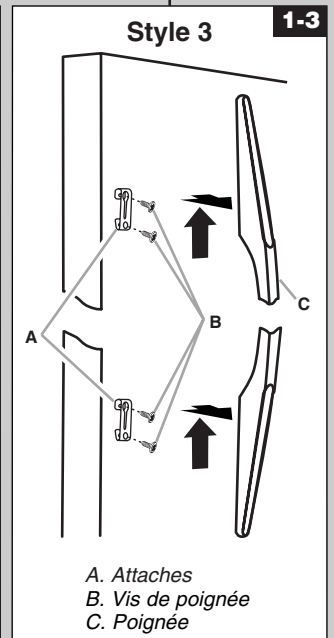
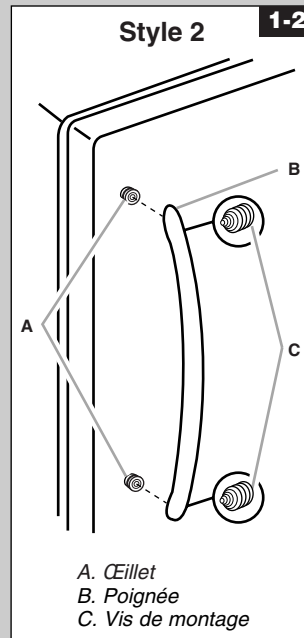
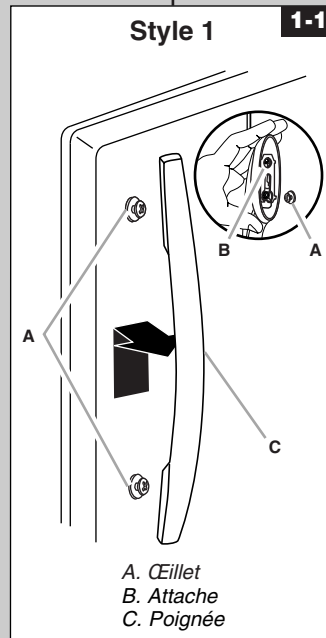
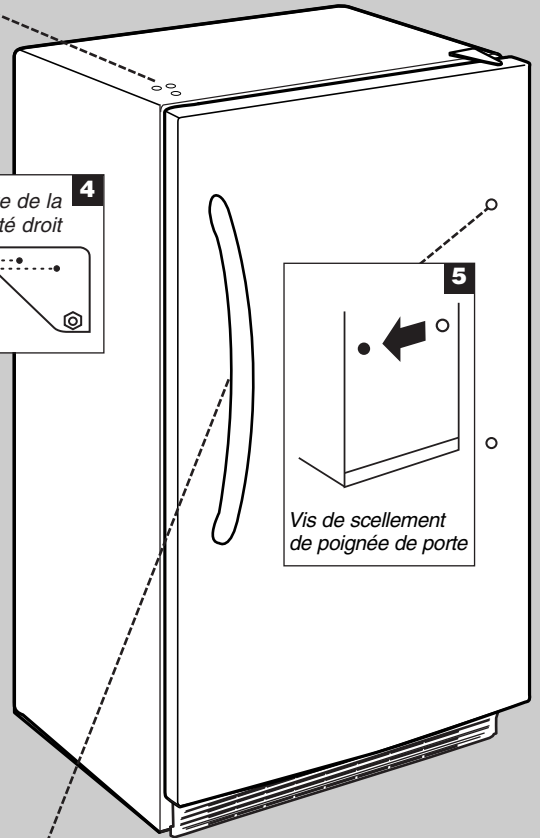
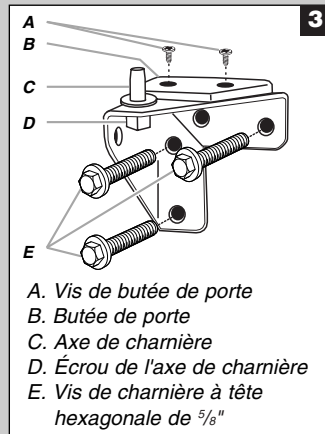
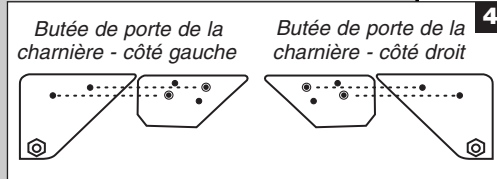
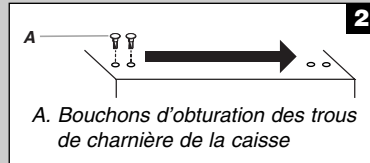
- A. Couverture de charnière supérieure
 B. Vis de charnière à tête hexagonale de $\frac{3}{8}$ " ou $\frac{5}{8}$ " (en fonction du modèle)
 C. Charnière supérieure

Charnière inférieure **1C**



- A. Vis de butée de porte
 B. Butée de porte
 C. Axe de charnière
 D. Écrou de l'axe de charnière
 E. Vis de charnière à tête hexagonale de $\frac{5}{8}$ "

Inversion du sens d'ouverture de la porte (facultatif)

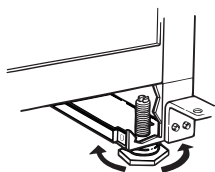


Ajustement de porte

1. Localiser les 2 pieds de nivellement à l'avant, joints aux matériaux d'emballage.
2. Visser ces pieds dans les trous avant, à la base du réfrigérateur. L'arrière du réfrigérateur repose sur deux appuis fixes.
3. Ajuster les pieds avant juste assez pour soulever le meuble au-dessus du sol.

REMARQUE : Si votre modèle est équipé de roulettes, les pieds avant doivent être suffisamment abaissés pour mettre les roulettes hors service et s'assurer que le réfrigérateur ne roule pas vers l'avant lorsqu'on ouvre la porte.

4. Placer un niveau au sommet du réfrigérateur d'abord de côté à côté, puis de l'avant à l'arrière. Tourner le pied dans le sens antihoraire pour soulever un coin. Tourner le pied dans le sens horaire pour abaisser un coin.



5. Répéter l'étape 3 jusqu'à ce que le réfrigérateur soit d'aplomb.
6. Lorsque le réfrigérateur est complètement rempli d'aliments, révéifier avec un niveau comme à l'étape 3.

Sons normaux

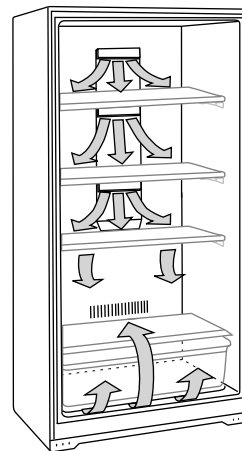
Il est possible que le réfrigérateur neuf émette des bruits que l'appareil précédent ne produisait pas. Comme ces bruits sont nouveaux, ils peuvent vous inquiéter. La plupart de ces nouveaux bruits sont normaux. Des surfaces dures comme le plancher, les murs et les armoires peuvent faire paraître les bruits plus forts qu'en réalité. Les descriptions suivantes indiquent le genre de bruits et leur origine.

- Votre réfrigérateur est conçu pour fonctionner plus efficacement afin de garder les aliments à la température désirée et pour minimiser la consommation d'énergie. Le compresseur et les ventilateurs haute efficacité peuvent faire fonctionner votre réfrigérateur plus longtemps que l'ancien. Vous pouvez aussi entendre des bruits saccadés ou aigus provenant du compresseur et des ventilateurs qui s'ajustent pour optimiser la performance.
- Vous pouvez entendre le moteur du ventilateur d'évaporation qui fait circuler l'air dans le réfrigérateur. La vitesse du ventilateur peut augmenter si on ouvre les portes ou si on ajoute des aliments chauds.
- Les vibrations sonores peuvent provenir de l'écoulement du réfrigérant, de la canalisation d'eau ou d'articles placés sur le réfrigérateur.
- L'eau qui dégoutte sur le dispositif de chauffage durant le programme de dégivrage peut produire un grésillement.
- À la fin de chaque programme, vous pouvez entendre un gargouillement attribuable au réfrigérant qui circule dans votre réfrigérateur.
- La contraction et l'expansion des parois internes peuvent produire un bruit sec.
- Vous pouvez entendre de l'air forcer sur le condenseur par le ventilateur du condenseur.
- Vous pouvez entendre l'écoulement de l'eau dans le plat de récupération d'eau de dégivrage pendant le programme de dégivrage.

UTILISATION DU RÉFRIGÉRATEUR

Pour s'assurer d'une circulation d'air appropriée

Pour s'assurer d'avoir des températures appropriées, il faut permettre à l'air de circuler dans le réfrigérateur. Comme l'indique l'illustration, l'air froid pénètre dans tout le réfrigérateur et se déplace vers le bas. L'air recircule ensuite par l'évent près de la base.



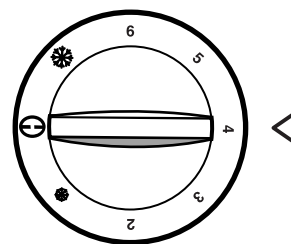
Ne pas obstruer l'une ou l'autre de ces ouvertures d'aération avec des paquets d'aliments. Si les ouvertures d'aération sont bloquées, le courant d'air sera coupé et des problèmes de température et d'humidité peuvent survenir.

IMPORTANT : Pour empêcher le transfert d'odeurs et l'assèchement des aliments, envelopper ou recouvrir hermétiquement les aliments.

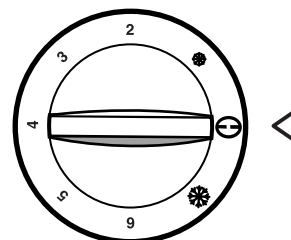
Utilisation de la commande

Réglage de la commande

Pour vous accommoder, la commande du réfrigérateur a été pré-réglée à l'usine. Au moment de l'installation initiale du réfrigérateur, s'assurer que la commande est encore pré-réglée au réglage moyen tel qu'illustré.



REMARQUE : Pour ARRÊTER votre réfrigérateur, tourner la commande du réfrigérateur sur le réglage comme illustré. Votre appareil ne se refroidira pas lorsque la commande du réfrigérateur est réglée sur la position ARRÊT.



Ajustement de la commande

Donner au réfrigérateur le temps de se refroidir complètement avant d'y ajouter des aliments. Il vaut mieux attendre 24 heures avant de placer des aliments dans le réfrigérateur. Le réglage est fait correctement lorsque le lait ou le jus est aussi froid que vous l'aimez. Déplacer le cadran d'un chiffre à la fois, et attendre 24 heures entre les ajustements.

IMPORTANT : Si vous ajoutez des aliments avant que le réfrigérateur soit refroidi complètement, vos aliments peuvent se gâter. Tourner la commande de température à un degré plus élevé (plus froid) que le réglage recommandé, ne refroidira pas le compartiment plus vite.

REMARQUE : Lors d'une humidité intense, une buée peut se former sur l'extérieur du réfrigérateur. Pour empêcher la rouille, essuyer le réfrigérateur et régler de nouveau la commande de température à un réglage plus froid.

CARACTÉRISTIQUES DU RÉFRIGÉRATEUR

Importants renseignements à savoir au sujet des tablettes et des couvercles en verre :

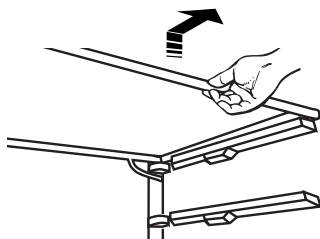
Ne pas nettoyer les tablettes ou couvercles en verre avec de l'eau tiède quand ils sont froids. Les tablettes et les couvercles peuvent se briser s'ils sont exposés à des changements soudains de température ou à un impact tel que coup brusque. Le verre trempé est conçu pour éclater en d'innombrables pièces minuscules. Ceci est normal. Les tablettes et les couvercles en verre sont lourds. Les saisir à deux mains lors de leur dépose afin d'éviter de les faire tomber.

Tablettes du réfrigérateur

Le remisage d'aliments semblables ensemble et le réglage des tablettes pour convenir à différentes hauteurs réduiront aussi le temps d'ouverture de la porte du réfrigérateur, ce qui économisera de l'énergie.

Pour retirer et réinstaller une tablette :

1. Enlever la tablette en la tirant légèrement vers l'avant pour aligner les butées de tablette avec les ouvertures dans la paroi interne du compartiment réfrigérateur. Soulever verticalement et retirer la tablette complètement à l'extérieur.



2. Réinstaller la tablette en abaissant les butées de la tablette dans les ouvertures dans la paroi interne du compartiment réfrigérateur. Glisser la tablette complètement jusqu'au fond.

Bacs à légumes et tiroir à viande

Tiroirs

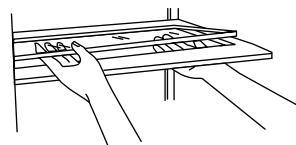
Pour retirer et réinstaller un tiroir :

1. Faire glisser le tiroir tout droit jusqu'à la butée. Soulever le devant du tiroir et glisser le reste du tiroir complètement pour le retirer.
2. Réinstaller un tiroir en le faisant glisser complètement au-delà de la butée.

Couvercle du bac à légumes

Pour retirer le couvercle du bac à légumes :

1. Retirer le(s) bac(s). En retenant fermement d'une main l'insertion en verre, pousser vers le haut au centre de l'insertion en verre jusqu'à ce qu'elle se soulève hors du cadre en plastique. Glisser lentement l'insertion en verre vers l'avant pour la retirer.
2. Soulever le cadre du couvercle et le retirer.



Pour réinstaller le couvercle du bac à légumes :

1. Introduire l'arrière du cadre du couvercle dans les supports sur les parois latérales du réfrigérateur et abaisser le devant du cadre du couvercle en place.
2. Faire glisser l'arrière de l'insertion en verre dans le cadre du couvercle et abaisser le devant en place.

Tiroir à viande réglable (sur certains modèles)

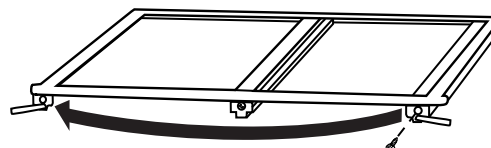
Le tiroir à viande peut être placé du côté droit ou du côté gauche dans le réfrigérateur.

Pour retirer le tiroir à viande :

1. Enlever le tiroir à viande et le couvercle. Voir "Tablettes du réfrigérateur".

REMARQUE : Le couvercle du tiroir à viande a un support fixe qui descend au centre de la tablette. Le support extérieur est celui qui peut être ajusté.

2. À l'aide d'un tournevis Phillips, enlever le support réglable et le déplacer à l'autre côté du couvercle du tiroir à viande.



3. Placer le couvercle du tiroir à viande à l'endroit désiré et glisser le tiroir à viande pour le remettre en position.

Guide d'entreposage des viandes

La plupart des viandes peuvent être conservées dans leur emballage original tant que cet emballage est hermétique et à l'épreuve de l'humidité. Emballer de nouveau si nécessaire. Voir le tableau suivant pour les durées de conservation. Si la viande doit être conservée pour une période plus longue que la durée donnée, faire congeler la viande.

Poissons ou crustacés frais..... utiliser le jour de l'achat

Poulet, bœuf haché, abats comestibles (foie)..... 1 à 2 jours

Charcuterie, steaks/rôtis..... 3 à 5 jours

Viandes salaisonnées..... 7 à 10 jours

Les restes - Couvrir les restes avec de la pellicule en plastique ou du papier d'aluminium, ou utiliser des contenants en plastique avec couvercles hermétiques.

Réglage de l'humidité dans le bac à légumes

(sur certains modèles)

Vous pouvez régler le degré d'humidité dans le bac à légumes étanche à l'aide des réglages entre HIGH (élevé) et LOW (bas).

En position LOW (ouvert) le réglage laisse échapper l'air humide pour mieux conserver les fruits et légumes à pelure.

■ Fruits : Laver, laisser sécher et mettre au réfrigérateur dans un sac en plastique dans le bac à légumes. Ne pas laver ni équeuter les petits fruits avant le moment de leur utilisation. Les trier et les conserver dans l'emballage original dans le bac à légumes.

■ Légumes à pelure : Placer dans des sacs en plastique ou contenants en plastique et ranger dans le bac à légumes.

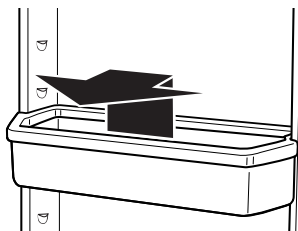
En position HIGH (fermé) le réglage permet de retenir l'humidité à l'intérieur du bac pour mieux conserver les légumes frais et à feuilles.

■ Légumes à feuilles : Laver à l'eau froide, égoutter et couper ou éliminer les sections endommagées et décolorées. Placer dans un sac ou un contenant en plastique et ranger dans le bac à légumes.

Balconnet de porte

Pour retirer et réinstaller le balconnet :

1. Retirer le balconnet en faisant basculer l'avant du balconnet vers l'avant et en le faisant glisser pour le sortir.
2. Réinstaller le balconnet en le faisant glisser au-dessus du support désiré et en le faisant basculer pour le remettre en place.



ENTRETIEN DU RÉFRIGÉRATEUR

Nettoyage

AVERTISSEMENT



Risque d'explosion

Utiliser un produit de nettoyage ininflammable.

Le non-respect de cette instruction peut causer un décès, une explosion ou un incendie.

Nettoyer le réfrigérateur une fois par mois pour empêcher une accumulation d'odeurs. Essuyer les renversements immédiatement.

Pour nettoyer le réfrigérateur :

1. Débrancher le réfrigérateur ou déconnecter la source de courant.
2. Retirer toutes les pièces amovibles de l'intérieur, telles que les tablettes, bacs, etc.
3. Laver à la main, rincer et sécher les pièces amovibles et les surfaces internes à fond. Utiliser une éponge propre ou un linge doux et un détergent doux dans de l'eau tiède.
 - Ne pas utiliser des nettoyants abrasifs tels que les nettoyants à vitre en atomiseurs, nettoyants à récureur, liquides inflammables, cires nettoyantes, détergents concentrés, eaux de Javel ou nettoyants contenant du pétrole sur les pièces en plastique, les garnitures intérieures, ou les joints de portes. Ne pas utiliser d'essuie-tout, tampons à récureur ou autre outil de nettoyage abrasif. Ces produits risquent d'égratigner ou d'endommager les matériaux.
 - Pour aider à éliminer les odeurs, on peut laver les parois intérieures avec un mélange d'eau tiède et de bicarbonate de soude (2 c. à soupe pour 1 pinte [26 g pour 0,95 L] d'eau).
4. Replacer les pièces détachées.
5. Utiliser la méthode de nettoyage adéquate pour votre finition extérieure.

Métal peint : Laver les surfaces extérieures avec une éponge propre ou un linge doux et un détergent doux dans de l'eau tiède. Ne pas utiliser de nettoyant fort ou abrasif, ni de nettoyant conçu pour l'acier inoxydable. Sécher à fond avec un linge doux.

Fini en acier inoxydable : Laver avec une éponge propre ou un linge doux et un détergent doux dans de l'eau tiède. Ne pas utiliser de nettoyants abrasifs. Sécher à fond avec un linge doux.

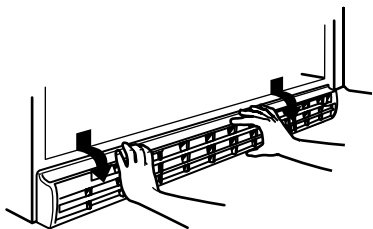
■ Pour que votre réfrigérateur en acier inoxydable conserve son aspect neuf et pour enlever les petites égratignures ou marques, il est suggéré d'utiliser le nettoyant et poli pour acier inoxydable approuvé par le fabricant.

IMPORTANT : Ce nettoyant doit être utilisé sur les pièces en acier inoxydable uniquement!

Veiller à ce que le nettoyant et poli pour acier inoxydable n'entre pas en contact avec les pièces de plastique telles que garnitures, couvercles de distributeurs ou joints de porte. En cas de contact non intentionnel, nettoyer la pièce de plastique

avec une éponge et un détergent doux et de l'eau tiède. Sécher à fond avec un linge doux.

- Nettoyer régulièrement les serpentins du condenseur. Il se peut que les serpentins aient besoin d'être nettoyés tous les deux mois. Ce nettoyage pourrait aider à économiser de l'énergie.
 - Ouvrir la porte du réfrigérateur et enlever la grille à la base en la retirant vers le bas et vers l'extérieur à partir du sommet.

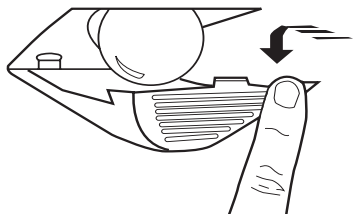


- Enlever le plat de dégivrage et le nettoyer avec une éponge ou un linge doux propre et un détergent doux dans l'eau tiède. Laver, rincer et essuyer complètement.
 - Utiliser un aspirateur avec un accessoire long pour nettoyer les serpentins du condenseur lorsqu'ils sont poussiéreux ou sales.
 - Replacer le plat de dégivrage.
 - Replacer la grille de la base en plaçant les attaches dans les ouvertures sur le panneau du réfrigérateur. Appuyer jusqu'à ce que la base s'enclenche en position.
- Brancher le réfrigérateur ou reconnecter la source de courant électrique.

Remplacement de l'ampoule d'éclairage

REMARQUE : Toutes les ampoules pour appareils ménagers ne conviennent pas forcément à votre réfrigérateur. S'assurer de remplacer l'ampoule par une ampoule de grosseur, de forme et de puissance semblables.

- Débrancher le réfrigérateur ou déconnecter la source de courant électrique.
- Ôter le protège-ampoule. À partir de l'avant du protège-ampoule, pousser vers l'arrière et vers le bas.



- Remplacer l'ampoule par une ampoule pour appareils électroménagers de même puissance.
- Replacer le protège-ampoule.
- Brancher le réfrigérateur ou reconnecter la source de courant électrique.

Pannes de courant électrique

Si le courant électrique doit être interrompu pendant 24 heures ou moins, garder la porte fermée pour aider les aliments à demeurer froids.

Si le service doit être interrompu pendant plus de 24 heures consommer ou mettre immédiatement en conserve les aliments périssables.

À NOTER : Si les aliments semblent de piètre qualité ou douteux, les jeter.

Entretien avant les vacances ou lors d'un déménagement

Vacances

Si vous choisissez de laisser le réfrigérateur en fonctionnement pendant votre absence, consommer tous les aliments périssables et congeler les autres articles.

Si vous choisissez d'arrêter le fonctionnement du réfrigérateur avant votre absence, observer ces étapes.

- Enlever tous les aliments du réfrigérateur.
- Tourner la commande de la température à la position d'arrêt. Voir "Utilisation de la commande".
- Nettoyer le réfrigérateur, l'essuyer et bien le sécher.
- À l'aide d'un ruban adhésif, placer des blocs de caoutchouc ou de bois dans la partie supérieure de la porte de façon à ce qu'elle soit suffisamment ouverte pour permettre l'entrée de l'air à l'intérieur, afin d'éviter l'accumulation d'odeurs ou de moisissure.

Déménagement

Lorsque vous déménagez votre réfrigérateur à une nouvelle habitation, suivre ces étapes pour préparer le déménagement.

- Retirer tous les aliments du réfrigérateur.
- Tourner la commande de la température à la position d'arrêt. Voir "Utilisation de la commande".
- Débrancher le réfrigérateur.
- Vider l'eau du plat de dégivrage.
- Nettoyer, essuyer et sécher à fond.
- Retirer toutes les pièces amovibles, bien les envelopper et les attacher ensemble à l'aide de ruban adhésif pour qu'elles ne bougent pas ni ne s'entrechoquent durant le déménagement.
- Visser les pieds de nivellement pour qu'ils n'égratignent pas le plancher. Voir "Ajustement de porte".
- Fermer la porte à l'aide de ruban adhésif et fixer le cordon d'alimentation à la caisse du réfrigérateur.

Lorsque vous arriverez à votre nouvelle habitation, remettre tout en place et consulter les "Instructions d'installation" pour les instructions de préparation.

DÉPANNAGE

Essayer les solutions suggérées ici en premier afin d'éviter les coûts d'une visite de service inutile.

Le réfrigérateur ne fonctionne pas

⚠ AVERTISSEMENT



Risque de choc électrique

Brancher sur une prise à 3 alvéoles reliée à la terre.

Ne pas enlever la broche de liaison à la terre.

Ne pas utiliser un adaptateur.

Ne pas utiliser un câble de rallonge.

Le non-respect de ces instructions peut causer un décès, un incendie ou un choc électrique.

- **Le cordon d'alimentation électrique est-il débranché?** Brancher sur une prise à 3 alvéoles reliée à la terre.
- **Un fusible est-il grillé ou le disjoncteur s'est-il déclenché?** Remplacer le fusible ou réenclencher le disjoncteur.
- **Le réglage du réfrigérateur est-il à la position d'arrêt?** Voir "Utilisation de la commande".
- **Le réfrigérateur est-il en train de se dégivrer?** Vérifier de nouveau pour voir si le réfrigérateur fonctionne au bout de 30 minutes. Le réfrigérateur exécutera régulièrement un programme automatique de dégivrage.

Les ampoules n'éclairent pas

⚠ AVERTISSEMENT



Risque de choc électrique

Brancher sur une prise à 3 alvéoles reliée à la terre.

Ne pas enlever la broche de liaison à la terre.

Ne pas utiliser un adaptateur.

Ne pas utiliser un câble de rallonge.

Le non-respect de ces instructions peut causer un décès, un incendie ou un choc électrique.

- **Le cordon d'alimentation électrique est-il débranché?** Brancher sur une prise à 3 alvéoles reliée à la terre.
- **Une ampoule d'éclairage est-elle desserrée dans la douille ou grillée?** Voir "Remplacement de l'ampoule d'éclairage".

Le plat de dégivrage contient de l'eau

- **Le réfrigérateur est-il en train de se dégivrer?** L'eau s'évaporerait. C'est normal pour l'eau de dégoutter dans le plat de dégivrage.
- **Y a-t-il plus d'humidité que d'habitude?** Prévoir que l'eau dans le plat de dégivrage prendra plus de temps à s'évaporer. Ceci est normal quand il fait chaud ou humide.

Le moteur semble fonctionner excessivement

- **La température ambiante est-elle plus chaude que d'habitude?** Prévoir que le moteur fonctionnera plus longtemps dans des conditions de chaleur. Pour des températures ambiantes normales, prévoir que le moteur fonctionne environ 40 % à 80 % du temps. Dans des conditions plus chaudes, prévoir un fonctionnement encore plus fréquent.
- **Vient-on d'ajouter une grande quantité d'aliments au réfrigérateur?** L'addition d'une grande quantité d'aliments réchauffe le réfrigérateur. Il est normal que le moteur fonctionne plus longtemps afin de refroidir de nouveau le réfrigérateur. Voir "Caractéristiques du réfrigérateur".
- **La porte est-elle ouverte fréquemment?** Prévoir que le moteur fonctionnera plus longtemps dans ce cas. Afin de conserver de l'énergie, essayer de sortir tout ce dont vous avez besoin du réfrigérateur en une seule fois, garder les aliments organisés et fermer la porte dès que les aliments sont retirés.
- **Le réglage est-il fait correctement pour les conditions ambiantes?** Voir "Utilisation de la commande".
- **La porte est-elle complètement fermée?** Bien fermer la porte. Si la porte ne ferme pas complètement, voir "La porte est difficile à ouvrir ou ne ferme pas complètement" plus loin dans cette section.
- **Les serpentins du condenseur sont-ils sales?** Cette saleté empêche l'air de passer et fait plus travailler le moteur. Nettoyer les serpentins du condenseur. Voir "Entretien du réfrigérateur".

REMARQUE : Votre réfrigérateur neuf fonctionnera plus longtemps que l'ancien du fait de son moteur très efficace.

Le réfrigérateur semble faire trop de bruit

- **Les sons peuvent être normaux pour votre réfrigérateur.** Voir "Sons normaux".

La température est trop tiède

- **Les ouvertures d'aération sont-elles bloquées?** Enlever tous les objets placés devant les ouvertures d'aération. Voir "Pour s'assurer d'une circulation d'air appropriée" pour l'emplacement des ouvertures d'aération.
- **La porte est-elle ouverte souvent?** Prévoir que le réfrigérateur deviendra tiède dans ce cas. Pour garder le réfrigérateur froid, essayer de sortir tout ce dont vous avez besoin du réfrigérateur en une seule fois, garder les aliments bien rangés pour les trouver facilement et fermer la porte dès que les aliments sont retirés.

- **Vient-on d'ajouter une grande quantité d'aliments au réfrigérateur?** L'addition d'une grande quantité d'aliments réchauffe le réfrigérateur. Plusieurs heures peuvent être nécessaires pour que le réfrigérateur revienne à la température normale.
- **La réglage est-il fait correctement pour les conditions ambiantes?** Voir "Utilisation de la commande".

Il existe une accumulation d'humidité à l'intérieur

- **Les ouvertures d'aération sont-elles bloquées dans le réfrigérateur?** Enlever tous les objets devant les ouvertures d'aération. Voir "Pour s'assurer d'une circulation d'air appropriée" pour l'emplacement des ouvertures d'aération.
- **La porte est-elle ouverte souvent?** Pour éviter l'accumulation d'humidité, essayer de sortir tout ce dont vous avez besoin du réfrigérateur en une seule fois, garder les aliments bien rangés pour les trouver facilement et fermer la porte dès que les aliments sont retirés. (Lorsque la porte est ouverte, l'humidité provenant de l'air ambiant pénètre dans le réfrigérateur. Le plus souvent la porte est ouverte, le plus rapidement l'humidité s'accumule, surtout lorsque la pièce elle-même est très humide.)
- **La pièce est-elle humide?** Il est normal pour l'humidité de s'accumuler à l'intérieur du réfrigérateur lorsque l'air de la pièce est humide.
- **Les aliments sont-ils bien emballés?** Vérifier que tous les aliments sont bien emballés. Si nécessaire, remballer la nourriture selon les directives dans "Caractéristiques du réfrigérateur". Essuyer les contenants humides d'aliments avant de les placer au réfrigérateur.
- **Le réglage est-il fait correctement pour les conditions ambiantes?** Voir "Utilisation de la commande".
- **Un programme autodégivreur vient-il de se terminer?** Il est normal que des gouttelettes se forment après que le réfrigérateur se dégivre automatiquement.

La porte est difficile à ouvrir ou ne ferme pas complètement

AVERTISSEMENT



Risque d'explosion

Utiliser un produit de nettoyage ininflammable.

Le non-respect de cette instruction peut causer un décès, une explosion ou un incendie.

- **Les joints sont-ils sales ou collants?** Nettoyer les joints d'après les directives de la section "Entretien du réfrigérateur".
- **Les paquets d'aliments empêchent-ils la porte de fermer?** Réorganiser les contenants de sorte qu'ils soient plus rapprochés et prennent moins d'espace.
- **Le couvercle du bac à légumes, les plats, tablettes, bacs ou paniers sont-ils en bonne position?** Placer le couvercle du bac à légumes et tous les plats, tablettes, bacs et paniers à la position correcte. Voir plus de renseignements à "Caractéristiques du réfrigérateur".
- **Le réfrigérateur branle-t-il ou semble-t-il instable?** Nivelier le réfrigérateur. Voir "Ajustement de porte".

ASSISTANCE OU SERVICE

Avant de demander une assistance ou un service, veuillez vérifier la section "Dépannage". Cette vérification peut vous faire économiser le coût d'une visite de réparation. Si vous avez encore besoin d'aide, suivre les instructions ci-dessous.

Lors d'un appel, veuillez connaître la date d'achat et les numéros au complet de modèle et de série de votre appareil. Ces renseignements nous aideront à mieux répondre à votre demande.

Si vous avez besoin de pièces de rechange

Si vous avez besoin de commander des pièces de rechange, nous vous recommandons d'utiliser seulement des pièces de rechange spécifiées par l'usine. Les pièces de rechange d'origine fonctionneront bien parce qu'elles sont fabriquées selon les mêmes spécifications précises utilisées pour construire chaque nouvel appareil WHIRLPOOL®.

Pour localiser des pièces de rechange d'origine dans votre région, nous appelons ou contacter le centre de service désigné le plus proche.

Pour assistance, installation ou service, appeler sans frais au **1-800-807-6777**.

Nos consultants fournissent l'assistance pour :

- Caractéristiques et spécifications de notre gamme complète d'appareils électroménagers.
- Procédés d'utilisation et d'entretien.

- Vente d'accessoires et de pièces de rechange.
- Références aux concessionnaires, compagnies de service de réparation et distributeurs de pièces de rechange locaux. Les techniciens de service désignés par Whirlpool sont formés pour remplir la garantie des produits et fournir un service après la garantie, partout au Canada.

Pour plus d'assistance

Si vous avez besoin de plus d'assistance, vous pouvez écrire à Whirlpool en soumettant toute question ou tout problème à :

Whirlpool Brand Home Appliances
Centre pour l'eXpérience de la clientèle
200 – 6750 Century Ave.
Mississauga, ON L5N 0B7

Dans votre correspondance, veuillez indiquer un numéro de téléphone où on peut vous joindre dans la journée.

Accessoires

Pour commander des accessoires, composer le **1-800-807-6777** ou contacter votre marchand Whirlpool autorisé.

GARANTIE LIMITÉE SUR APPAREIL ÉLECTROMÉNAGER À DOMICILE

Cet appareil de qualité est garanti exempt de tout vice de matière première et de fabrication, s'il est utilisé dans les conditions normales recommandées par le fabricant.

Cette garantie n'est offerte qu'à l'acheteur initial de l'appareil vendu par Danby Products Limited (Canada) ou Danby Products Inc. (E.- U. d'A) (ci-après "Danby") ou par l'un des ses distributeurs agréés et elle ne peut être transférée.

CONDITIONS

Les pièces en plastique sont garanties pour trente (30) jours seulement à partir de la date de l'achat, sans aucune prolongation prévue.

Première 18 mois Pendant les dix huit (18) mois, toutes pièces fonctionnelles de ce produit s'avèrent défectueuses, seront réparées ou remplacées, selon le choix du garant, sans frais à l'acheteur INITIAL.

Pour bénéficier du Service Le client sera responsable pour le transport et tous les frais d'expédition de tout appareil exigeant le service au dépôt de service autorisé le plus proche. S'adresser au détaillant qui a vendu l'appareil, ou à la station technique agréée de service la plus proche, où les réparations doivent être effectuées par un technicien qualifié. Si les réparations sont effectuées par quiconque autre que la station de service agréée où à des fins commerciales, toutes les obligations de Danby en vertu de cette garantie seront annulées.

Limites de l'entretien à domicile Si l'appareil est installé à plus de 100 kilomètres (62 milles) du centre de service le plus proche, il doit être livré à l'atelier de réparation autorisé par Danby le plus proche, car l'entretien doit uniquement être réalisé par un technicien qualifié et certifié pour effectuer un entretien couvert par la garantie de Danby. Les frais de transport entre votre domicile et le lieu de l'entretien ne sont pas couverts par la présente garantie et doivent être acquittés par l'acheteur.

Cette garantie indique en aucun temps la responsabilité de Danby de l'avarie ou dommage de la vin ou autre contenu, soit par les vices de l'appareil, ou soit par l'utilisation convenable ou inexacte.

EXCLUSIONS

En vertu de la présente, il n'existe aucune autre garantie, condition ou représentation, qu'elle soit exprimée ou tacite, de façon manifeste ou intentionnelle, par Danby ou ses distributeurs agréés. De même, sont exclues toutes les autres garanties, conditions ou représentations, y compris les garanties, conditions ou représentations en vertu de toute loi régissant la vente de produits ou de toute autre législation ou règlement semblables.

En vertu de la présente, Danby ne peut être tenue responsable en cas de blessures corporelles ou des dégâts matériels, y compris à l'appareil, quelle qu'en soit les causes. Danby ne peut pas être tenue responsable des dommages indirects dus au fonctionnement défectueux de l'appareil. En achetant l'appareil, l'acheteur accepte de mettre à couvert et de dégager Danby de toute responsabilité en cas de réclamation pour toute blessure corporelle ou tout dégât matériel causé par cet appareil.

CONDITIONS GÉNÉRALES

La garantie ou assurance ci-dessus ne s'applique pas si les dégâts ou réparations sont dus aux cas suivants:

- 1) Panne de courant.
- 2) Dommages subis pendant le transport ou le déplacement de l'appareil.
- 3) Alimentation électrique incorrecte (tension faible, câblage défectueux, fusibles incorrects).
- 4) Accident, modification, emploi abusif ou incorrect de l'appareil tel qu'une circulation d'air inadéquate dans la pièce ou des conditions de fonctionnement anormales (température extrêmement élevée ou basse).
- 5) Utilisation dans un but commercial ou industriel (à savoir, si l'appareil n'est pas installé dans un domicile résidentiel).
- 6) Incendie, dommages causés par l'eau, vol, guerre, émeute, hostilités, cas de force majeure (ouragan, inondation, etc.).
- 7) Visites d'un technicien pour expliquer le fonctionnement de l'appareil au propriétaire.
- 8) Installation inappropriée (par exemple, encastrement d'un appareil autoportant, ou utilisation extérieure d'un appareil non conçu à cet effet).

Une preuve d'achat doit être présentée pour toute demande de réparation sous garantie. Prière de garder le reçu. Pour faire honorer la garantie, présenter ce document à la station technique agréée ou s'adresser à:



REFRIGERATOR RÉFRIGÉRATEUR

Model • Modèle
DFF501WDD

REFRIGERATOR

The model number can be found on the serial plate located on the back panel of the unit.

All repair parts available for purchase or special order when you visit your nearest service depot. To request service and/or the location of the service depot nearest you, call Danby toll free.

When requesting service or ordering parts, always provide the following information:

- **Product Type**
- **Model Number**
- **Part Description**

RÉFRIGÉRATEUR

Le numéro de modèle se trouve sur la plaque d'information sur la paroi arrière de l'appareil.

Toutes les pièces de rechange ou commandes spéciales sont disponibles de votre centre régional de service autorisé. Pour exiger le service et/ou le nom de votre centre de service régional, signalez le numéro sans frais de Danby.

Ayez les renseignements suivants à la portée de la main lors de la commande de pièce ou service:

- **Genre de produit**
- **Numéro de modèle**
- **Description de la pièce**



Tel: 1-800-26-**Danby**
(1-800-263-2629)