

Danby[®] *Designer*

**OWNER'S MANUAL
GUIDE DU PROPRIÉTAIRE
MANUAL DEL USUARIO**

**Model • Modèle • Modelo
DIM1524W**

CAUTION:

Read and Follow All Safety Rules and
Operating Instructions Before First
Use of This Product.

ATTENTION :

Avant de faire fonctionner cette
machine, lisez et suivez toutes les
consignes de sécurité de ce guide en
premier lieu.

ADVERTENCIA:

Lea y Siga Todas las Indicaciones de
Seguridad y de Operación ANtes de
Utilizar Este Producto.



Ice'nEasy[®]

Table of Contents	1
Table des matières	13
Índice	25



TABLE OF CONTENTS

Important Safety Information

3

Safety Precautions	3
Grounding Instructions	4

Operating Instructions

5

Features of Your Ice Maker	5
The Controls of Your Ice Maker	6
Ice Making	7
Ice Size Selection	7
Delayed Start	7
Self-Clean Mode	8

Helpful Information

9

Draining Your Ice Maker	9
Care and Cleaning	10

If Something Goes Wrong

11

Before Your Call For Service	11
Warranty	12

WELCOME

Welcome to the Danby family. We're proud of our quality products and we believe in dependable service.

You'll see it in this easy-to-use manual and you'll hear it in the friendly voices of our consumer service department.

Tel: 1-800-26-**Danby**[®]

Best of all, you'll experience these values each time you use your ice maker. That's important, because your new ice maker will be part of your family for a long time.

Start Here!...Before using your Ice'N'Easy ice maker

Write down the model and serial numbers here. They are on a label located on the back of the ice maker.

Model number _____

Serial number _____

Date purchased _____

Staple your receipt to the inside back cover of this manual. You will need it to obtain service under warranty.

NEED HELP?

Before you call for service, there are a few things you can do to help us serve you better...

Read this manual

It contains instructions to help you use and maintain your ice maker properly.

If you received a damaged appliance

Immediately contact the dealer (or builder) that sold you the ice maker.

Save time and money

Check the section titled "If Something Goes wrong" before calling. This section helps you solve common problems that might occur. If you do need service, you can relax knowing help is only a phone call away.

Tel: 1-800-26-**Danby**[®]

IMPORTANT SAFETY INFORMATION

READ ALL SAFETY INFORMATION BEFORE USING

WARNING

To reduce the risk of fire, burns, electric shock, or injury to persons when using your appliance, follow basic precautions, including the following sections.

SAFETY PRECAUTIONS

- This appliance must be grounded. Connect only to a properly grounded outlet. See “Grounding Instructions” section on page 4.
- Do not operate this appliance if it has a damaged power cord or plug, if it is not working properly, or if the appliance has been damaged or dropped.
- Do not use this product near water—for example, in a wet basement, near a swimming pool or near a sink.
- Use this appliance only for its intended use as described in this manual. Do not use corrosive chemicals or vapors in this appliance.
- This appliance should be serviced only by qualified service personnel. Contact nearest authorized service facility for examination, repair or adjustment.
- See door surface cleaning instructions in the Care and Cleaning section(s) of this manual.
- Do not cover or block any openings on the appliance.
- Do not store this appliance outdoors.
- Keep power cord away from heated surfaces.
- Do not immerse power cord or plug in water.
- As with any appliance, close supervision is necessary when used by children.

WARNING: The internal holding compartment of this appliance for both stored ice cubes and stored water is **NOT** a refrigerated compartment.

We recommend changing (replacing) any stored water that has not been used within a 12 hour time period of the machine being operational.

SAVE THESE INSTRUCTIONS

IMPORTANT SAFETY INFORMATION

GROUNDING INSTRUCTIONS

WARNING

Improper use of the grounding plug can result in a risk of electric shock.

This appliance must be grounded. In the event of an electrical short circuit, grounding reduces the risk of electric shock by providing an escape wire for the electric current.

This appliance is equipped with a power cord having a grounding wire with a grounding plug.

The plug must be plugged into an outlet that is properly installed and grounded.

Consult a qualified electrician or service technician if the grounding instructions are not completely understood, or if doubt exists as to whether the appliance is properly grounded.

If the outlet is a standard 2-prong wall outlet, it is your personal responsibility and obligation to have it replaced with a properly grounded 3-prong wall outlet.

For best operation, plug this appliance into its own electrical outlet to prevent flickering of lights, blowing of fuse or tripping of circuit breaker.

Do not under any circumstances cut or remove the third (ground) prong from the power cord.

Do not use an adapter plug with this appliance.

Do not use an extension cord with this appliance. If the power cord is too short, have a qualified electrician or service technician install an outlet near the appliance.

Operating Instructions

Features of your Ice Maker

Exterior

1 Ice Maker Door with Viewing Barrier.

2 Control Panel.

(see page 6 for details)

3 Adjustable Legs.

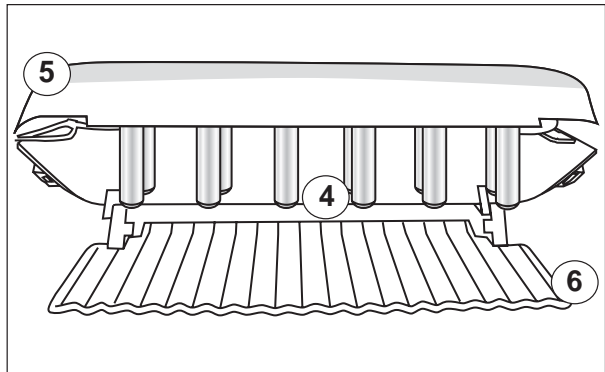


Interior

4 Evaporator Coils.

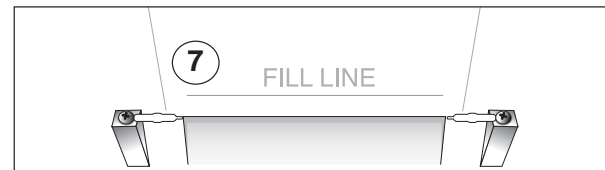
5 Water Box.

6 Ice Shovel.



7 Water Fill line.

(Located in internal reservoir, beneath ice bucket.)

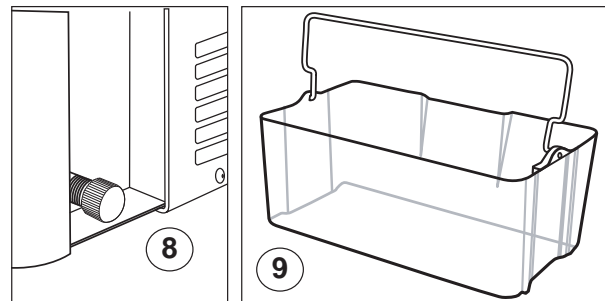


Accessories

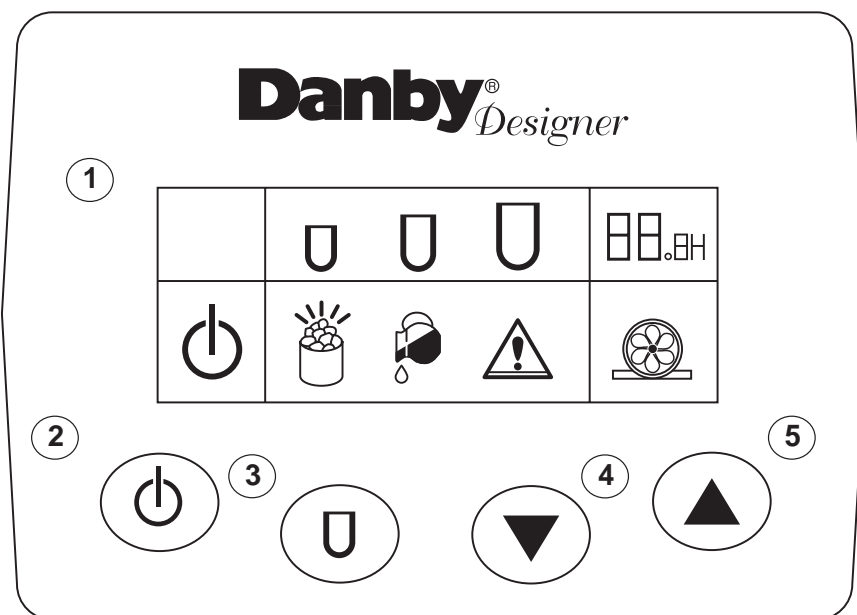
8 Drain Plug.

(Lower left rear of unit)

9 Ice Bucket.



The Controls on Your Ice Maker




1. Electronic Display - shows timer setting, selection indicators, and status icons.


2. Power Button - used to turn unit on or off, also used to cancel the timer and/or currently running program.


3. Ice Size Selector - Allows you to select between three (3) available ice sizes.

4. Increase Button - Used in conjunction with the timer feature, each depression adds .5 hours to the set timer.


5. Decrease Button - Used in conjunction with the timer feature, each depression removes .5 hours from the set timer.


 • **Small Cube** - Denotes that the ice maker is currently set to produce small size cubes.


 • **Medium Cube** - Denotes that the ice maker is currently set to produce medium size cubes.


 • **Large Cube** - denotes that the ice maker is currently set to produce large size cubes.


 • **Timer** - Displays the delayed start set time.

 • **Power** - This icon flashes when the power is off and becomes static when the unit has been powered on.

 • **Bucket Full** - Illuminates to indicate that the water bucket is full and will need to be emptied before the ice making process can resume.

 • **Add Water** - Illuminates when the internal reservoir requires filling before proceeding or continuing with the current selected program.

 • **Fault** - displayed when the unit has entered a fault mode and is not able to begin or resume the current mode. Please refer to page 11 for instructions should this situation occur.

 • **Pump** - Illuminates when the unit is pumping water from the internal reservoir to the water bucket during the ice making cycle and the self clean mode.

Operating Instructions

Ice Making

- 1 Add water to 'fill line'.
- 2 Press the power button.
- 3 Change the ice size if you don't want medium cubes.

To immediately begin the ice making process;

- Remove ice bucket and add water to Fill line.(approx. 3.5 L)
- Reinsert the ice bucket and press the Power button.
- Select the desired ice cube size (See "Ice Size" below).
- The ice maker will automatically begin approximately 15 seconds after the last button is pressed.

Please note: The length of the ice making process is directly proportionate to the current ice size setting and batch completion time range between 9 minutes and 15 minutes per cycle, depending upon your ice size selection.

For optimal results, please keep the ice maker door closed during the ice making process.

Ice Size Selection

- 1 Press Power or enter Delayed Start mode (see below).
- 2 Depress the ice size selection button on the control pad.

The ice size selection button allows you to choose from small, medium or large ice cubes.

By default your ice maker is configured to produce medium size ice cubes. However if you would like a different size of cube, you need only depress the ice size selection button to cycle between the three (3) available sizes (small, medium and large.)

Ice size change is possible during the running ice making cycle, however it is recommended to wait until the current cycle is complete before defining a new ice size.

NOTE: Unless there is a power failure or power interruption to the unit. The ice size selection you have made will be retained as the default ice size.

Delayed Start

- 1 Add water to 'fill line'.
- 2 Ensure the power is *off*.
- 3 Press the increase & decrease arrows simultaneously
- 4 Select timer length.
- 5 Select required ice size.

• Remove ice bucket and add water to Fill line.(approx. 3.5 L)

• With the power off. Press the Increase/Decrease buttons once simultaneously to enter the timer set mode.

• Each subsequent press of the increase button will increase the timer in 30 minute increments up to 12 hours. Alternatively to subtract time from the timer, press the decrease button to decrease the timer by 30

minute increments.

• Reinsert the ice bucket and select the ice size you require.

• The ice maker timer will automatically start 10 seconds after the last button is pressed.

To cancel the timer at any time and begin the ice making process immediately, simply press the power button.

Operating Instructions

Self-Clean Mode

1 Add water & vinegar (1:1)

2 With the power off, simultaneously depress the increase & decrease arrows twice.

3 Drain after program is complete.

4 Add fresh water to fill line.

5 Repeat Step 2

6 Drain after program is complete.

The self-clean mode should be put into operation before you use your ice maker for the first time and/or if there has been a long period without use.

Stage 1

- Add equal parts of water and vinegar (1:1) to the ice maker's reservoir.

- With the power off, press the increase and decrease arrows simultaneously two times to activate the self-clean mode. Please note, the self clean mode will automatically initiate approximately 10 seconds after the last button depression.

- During the self clean mode, the upper ice bucket is filled and dumped multiple times and the pump will remain in continuous operation as it feeds water to the bucket and evaporator coils. This cycle continues for approximately five-and-a-half minutes.

Upon completion, the unit automatically powers down and is now ready for stage 2.

Stage 2

- Drain the cleaning solution from the internal reservoir by removing the rear drain cap and plug (see pg. 9).

- Add fresh water to the 'Fill line' in the internal reservoir.

- With the power off, press the increase and decrease arrows simultaneously two times to activate the self clean mode-which will now act as a rinse.

Upon completion of this final stage of the self clean process, the unit automatically powers down once again. Proceed to drain the water from the internal reservoir and leave the lid on the ice maker open to allow it to air dry.

Helpful Information

Draining Your Ice Maker

WARNING:

The internal holding compartment of this appliance for both stored ice cubes and stored water is NOT a refrigerated compartment.

We recommend changing (replacing) any stored water that has not been used within a 12 hour time period of the machine being operational.

In order to maintain a hygienic environment within your ice maker and prevent the potential formation of bacteria, it is highly recommended that you completely drain the ice maker after each use (daily) or if any water has been stored within the internal reservoir for in excess of twelve (12) Hours.

To drain your ice maker;

- Place a drip tray beneath the right rear portion of the cabinet. Depending on the amount of water contained in the internal reservoir, the water may exit the drain rapidly. Tilt the drain pan slightly towards the drain spout to prevent water from projecting away from the intended water collection area.

- Remove the drain cap (as shown in fig. 9.1).

- When the exiting water flow decreases to a 'trickle' slightly tilt your ice maker backwards to ensure all the water that may have been stored internally is thoroughly drained.

Once the water has been removed from the appliance, wipe the internal reservoir and ice bucket dry and leave the ice maker lid in the open position to expedite the drying process.

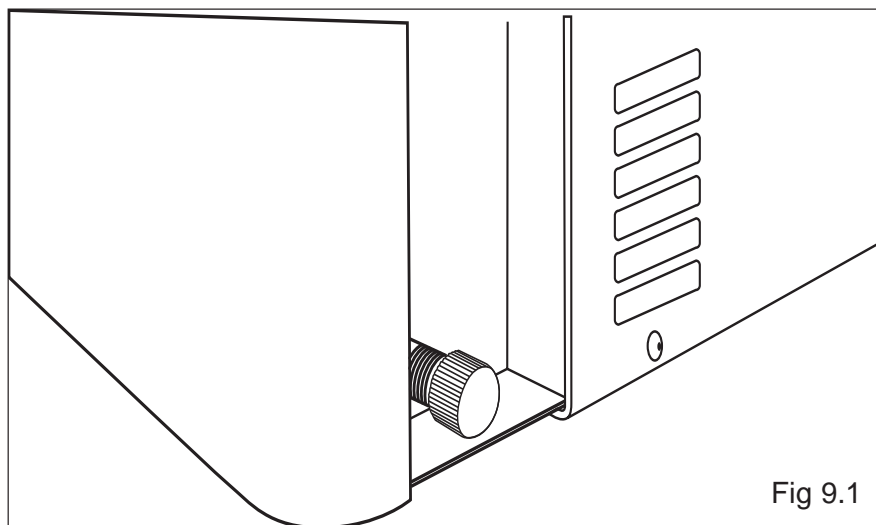


Fig 9.1

Care and Cleaning

Helpful Hints

Allow the ice maker door to remain open for a few minutes after the ice making process is complete, running the self-clean mode or manual cleaning, to air out and dry the inside of the ice maker cabinet.

NOTE: Be certain the power is off before cleaning any part of this appliance.

How to clean the inside

Never use any commercial cleaners on any part of your ice maker.

Please refer to the Self-Clean Mode Section on pg. 8 for proper system cleaning.

Walls, Floor of Reservoir, Inside Window, and Plastic Parts

Some water deposits and dust can be removed with a paper towel, others may require a damp cloth.

Ice Bucket

To prevent breakage, do not place the ice bucket into hot water just after ice making. Wash it carefully in warm, sudsy water. The ice bucket can be broken if dropped. Remember, do not operate the ice maker without the ice bucket in place.

Do not use abrasive cleaners or sharp utensils on any part of your ice maker.

How to Clean the outside

Do not use cleaners containing ammonia or alcohol on the ice maker.

Ammonia or alcohol can damage the appearance of the appliance.

Outer Case

Clean the outside of the appliance with a sudsy cloth. Rinse and then dry. Wipe the window clean with a damp cloth.

Control Panel and Door

Wipe with a damp cloth. Dry thoroughly. Do not use cleaning sprays, large amounts of soap and water, abrasive or sharp objects on the panel—they can damage it. Some paper towels can also scratch the control panel.

Door surface

It's important to keep the area clean where the door seals against the cabinet. Use only mild, non-abrasive detergents applied with a clean sponge or soft cloth. Rinse well.

If Something Goes Wrong

Before You Call For Service

Problem	Possible Cause	What to do
Ice Maker will not start.	A fuse in your home may be blown or the circuit breaker tripped.	Replace fuse or reset circuit breaker.
	Power surge.	Unplug the ice maker, wait a few seconds and then plug it back in.
	Plug not fully inserted into wall outlet	Make sure the 3-prong plug on the ice maker is fully inserted into outlet.
	Water Shortage	Ensure that there is sufficient water in the internal reservoir.
	Ice Bucket Full	Empty the ice bucket.
	Fault Mode	See ' <i>Fault Mode Icon</i> ' below.
Fault Mode Icon illuminated in display	Water bucket cannot turn.	Ice cubes may be lodged in between the water box and evaporator. Power off the unit and manually remove any ice cubes from the water bucket and/or ice shovel.
	Water line blockage.	This can occur when attempting to operate the unit (or if it has been stored) in low ambient temperature conditions. Allow the unit to remain in 68 F (20 C) for a few hours before attempting to make ice or operating the self-clean mode.

If none of the above rectify the situation please contact our customer care department at 1-800-26-**Danby**[®] (1-800-263-2629)

Danby[®] Designer LIMITED PRODUCT WARRANTY

This quality product is warranted to be free from manufacturer's defects in material and workmanship, provided that the unit is used under the normal operating conditions intended by the manufacturer.

This warranty is available only to the person to whom the unit was originally sold by Danby or by an authorized distributor of Danby, and is non-transferable.

TERMS OF WARRANTY

Plastic parts (ie. evaporator door, door rails, covers and trays are warranted for thirty (30) days only from purchase date, with no extensions provided.

First Year During the first year (1), any electrical part of this product found to be defective, including any sealed system units, will be repaired or replaced, at warrantor's option, at no charge to the ORIGINAL purchaser. Consumable parts (ie. light bulbs) are not warranted or guaranteed for any length of time.

To Obtain Service It will be the customer's responsibility to transport the appliance to the closest Authorized Service Depot at their own expense. Contact your dealer from whom your unit was purchased, or contact your nearest authorized Danby service depot, where service must be performed by a qualified service technician. If service is performed on the units by anyone other than an authorized service depot, or the unit is used for commercial application, all obligations of Danby under this warranty shall be at an end.

Nothing within this warranty shall imply that Danby will be responsible or liable for any spoilage or damage to food or other contents of this appliance, whether due to any defect of the appliance, or its use, whether proper or improper.

EXCLUSIONS

Save as herein provided, Danby Products Limited (Canada) or Danby Products Inc. (U.S.A.), there are no other warranties, conditions, representations or guarantees, express or implied, made or intended by Danby Products Limited or its authorized distributors and all other warranties, conditions, representations or guarantees, including any warranties, conditions, representations or guarantees under any Sale of Goods Act or like legislation or statute is hereby expressly excluded. Save as herein provided, Danby Products Limited (Canada) or Danby Products Inc. (U.S.A), shall not be responsible for any damages to persons or property, including the unit itself, howsoever caused or any consequential damages arising from the malfunction of the unit and by the purchase of the unit, the purchaser does hereby agree to indemnify and save harmless Danby Products Limited from any claim for damages to persons or property caused by the unit.

GENERAL PROVISIONS

No warranty or insurance herein contained or set out shall apply when damage or repair is caused by any of the following:

- 1) Power Failure.
- 2) Damage in transit or when moving the appliance.
- 3) Improper power supply such as low voltage, defective house wiring or inadequate fuses.
- 4) Accident, alteration, abuse or misuse of the appliance such as inadequate air circulation in the room or abnormal operating conditions, (extremely high or low room temperature).
- 5) Use for commercial or industrial purposes.
- 6) Fire, water damage, theft, war, riot, hostility, acts of God such as hurricanes, floods etc.
- 7) Service calls resulting in customer education.

Proof of purchase date will be required for warranty claims; so, please retain bills of sale. In the event warranty service is required, present this document to our AUTHORIZED SERVICE DEPOT.

Danby Products Limited
PO Box 1778, 5070 Whitelaw Road,
Guelph, Ontario, Canada N1H 6Z9
Telephone: (519) 837-0920 FAX: (519) 837-0449

Danby Products Inc.
PO Box 669, 101 Bentley Court,
Findlay, Ohio, U.S.A. 45839-0669
Telephone: (419) 425-8627 FAX: (419) 425-8629

TABLE DES MATIÈRES

Informations de sécurité importantes

15

Précautions	15
Instructions de mise à la terre	16

Instructions de fonctionnement

17

Caractéristiques de votre machine à glaçons	17
Commandes de votre machine à glaçons	18
Fabrication de glaçons	19
Sélection de la grosseur des glaçons	19
Démarrage différé	19
Mode d'auto nettoyage	20

Informations utiles

21

Vidange de votre machine à glaçons	21
Soins et entretien	22

En cas de panne

23

Avant de placer un appel de service	23
Garantie	24

BIENVENUE

Bienvenue dans la famille Danby. Nous sommes fiers de nos produits de qualité et croyons au bien fondé de fournir une assistance fiable à nos clients.

Vous le découvrirez par ce guide facile d'utilisation et vous pourrez l'entendre en provenance des voix amicales de notre service d'assistance à la clientèle. Tél.: 1-800-26-**Danby**®

Mais, ce qui est encore mieux, vous pourrez bénéficier de ces valeurs à chaque utilisation de votre machine à glaçons. Ceci est important parce que votre nouvelle machine à glaçons fera partie de votre famille pour longtemps.

Point de départ...AVANT d'utiliser votre machine à glaçons "Ice'N'Easy"

Enregistrez ici les numéros de modèle et de série. Ces numéros se trouvent sur l'étiquette au dos de la machine à glaçons.

Numéro de modèle _____

Numéro de série _____

Date d'achat _____

Agrafez votre reçu d'achat à l'intérieur de la couverture arrière de de guide. Il sera requis pour faire une réclamation de la garantie.

EN CAS DE BESOIN D'ASSISTANCE

Voici quelques contributions que vous pouvez effectuer avant de faire un appel de service, pour nous aider à mieux vous servir :

Lisez ce guide

Il comprend des instructions pour vous assister à l'utilisation et l'entretien adéquats de votre machine à glaçons.

Si votre appareil neuf est avarié

Communiquez immédiatement avec le revendeur (ou le fabricant).

Épargnez temps et argent

Avant de faire un appel de service, réviser le chapitre intitulé "En cas de panne". Ce chapitre vous aidera à solutionner des problèmes communs qui pourraient survenir. Si une réparation est requise, vous pouvez avoir l'esprit tranquille parce que de l'aide ne sera l'affaire que d'un appel téléphonique.

Tél.: 1-800-26-**Danby**®

INFORMATIONS DE SÉCURITÉ IMPORTANTES

LISEZ TOUTES LES INFORMATIONS DE SÉCURITÉ AVANT DE FAIRE FONCTIONNER L'APPAREIL

AVERTISSEMENT

Pour minimiser le risque d'incendie, de brûlures, de chocs électriques ou de blessures, suivez les chapitres suivants en plus d'appliquer les précautions de base.

PRÉCAUTIONS

- Cet appareil doit être mis à la terre. Branchez le seulement dans une prise correctement mise à la terre. Référez-vous au chapitre intitulé "Instructions de mise à la terre" à la page 16.
- Ne faites pas fonctionner cet appareil s'il a un cordon ou fiche électrique endommagé, s'il ne fonctionne pas correctement, ou si l'appareil a été endommagé ou échappé.
- N'utilisez pas cet appareil près de bassins d'eau, par exemple dans un sous-sol détrempé, près d'une piscine ou d'un évier.
- N'utilisez cet appareil que pour les fins auxquelles il est conçu comme indiqué dans ce guide. N'utilisez pas de produits chimiques ou vapeurs corrosives dans/près de cet appareil.
- Cet appareil ne devrait être réparé que par du personnel qualifié. Pour tout examen, réparation ou réglage, contactez votre centre de service le plus rapproché.
- Référez-vous aux instructions de nettoyage du fini de la porte se trouvant au chapitre de Soins et entretien de ce guide.
- Ne recouvrez pas ou n'obstruez aucune ouverture de l'appareil.
- N'entreposez pas cet appareil à l'extérieur.
- Gardez le cordon électrique éloigné des sources de chaleur.
- N'immersez pas le cordon ou sa fiche dans aucun liquide.
- Lorsque opéré par un enfant, une supervision s'avère nécessaire comme c'est le cas avec n'importe quel appareil domestique.

Avvertissement : Le compartiment interne de rangement de cet appareil ménager pour les glaçons et l'eau remisés **n'est pas** un compartiment réfrigéré. Nous recommandons le remplacement de toute eau remisee qui n'a pas été utilisée en dedans d'une période de 12 heures de la mise en service de la machine.

SAUVE GARDEZ CES INSTRUCTIONS

INFORMATIONS DE SÉCURITÉ IMPORTANTES

INSTRUCTIONS DE MISE À LA TERRE

AVERTISSEMENT

Une mauvaise utilisation de la mise à la terre de la fiche constitue un danger d'électrocution.

Cet appareil doit être mis à la terre. Dans l'éventualité d'un court-circuit, la mise à la terre procure un chemin direct de contournement du courant pour prévenir l'électrocution des manipulateurs de l'appareil.

Cet appareil est muni d'un cordon comprenant une fiche et fil de mise à la terre.

La fiche doit être branchée dans une prise correctement installée et mise à la terre.

Si les directives de mise à la terre ne sont pas tout à fait comprises ou en cas de tout doute relatif à la mise à la terre appropriée de l'appareil, faites appel à un électricien ou à un technicien qualifié.

Si la prise murale est une prise à 2 branches, c'est votre obligation, et la responsabilité vous en incombe, de la faire remplacer par une prise à trois branches adéquatement mise à la terre.

Pour un meilleur rendement et pour éviter que les ampoules d'éclairage de la résidence soient affectées d'un affaissement de tension, ou que le fusible ou disjoncteur du circuit ne grille ou ne se déclenche, dédiez un circuit individuel d'alimentation à la machine à glaçons (prise (double) unique sur le circuit).

Sous aucun prétexte il est permis de couper ou d'enlever la troisième branche (mise à la terre) de la fiche du cordon électrique.

N'utilisez pas d'adaptateur de fiche avec cet appareil.

N'utilisez pas de cordon de rallonge avec cet appareil. Si le cordon électrique de l'appareil ne rejoint pas la prise murale, faites installer une prise plus rapprochée par un électricien ou un technicien qualifié.

Instructions de fonctionnement

Caractéristiques de votre machine à glaçons

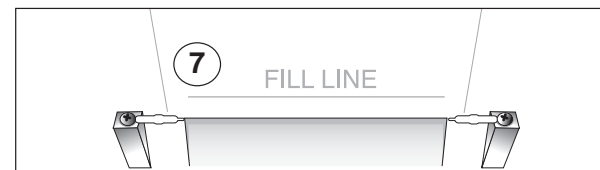
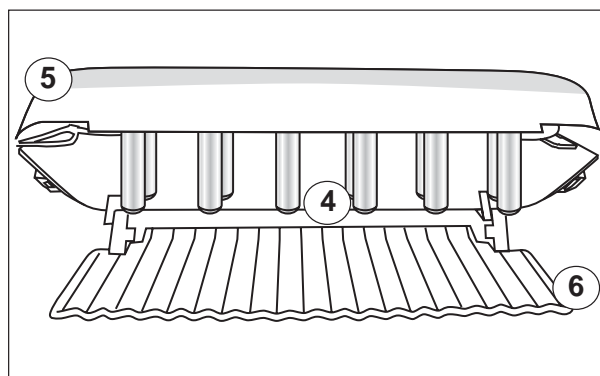
Intérieur

- 1 Porte de la machine à glaçon avec visière.**
- 2 Panneau de commande.**
(pour plus de détails, référez-vous à la page 18)
- 3 Pattes de mise à niveau réglables.**



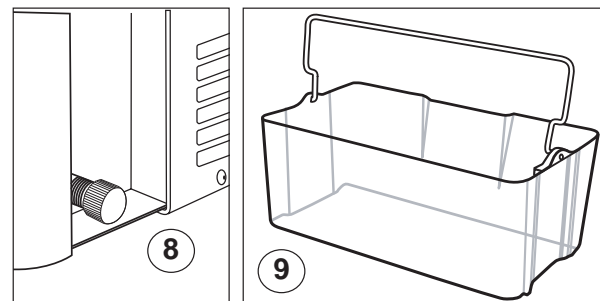
Extérieur

- 4 Serpentins d'évaporation.**
- 5 Contenant d'eau.**
- 6 Pelle à glaçons.**
- 7 Ligne d'indication de niveau pour l'eau.**

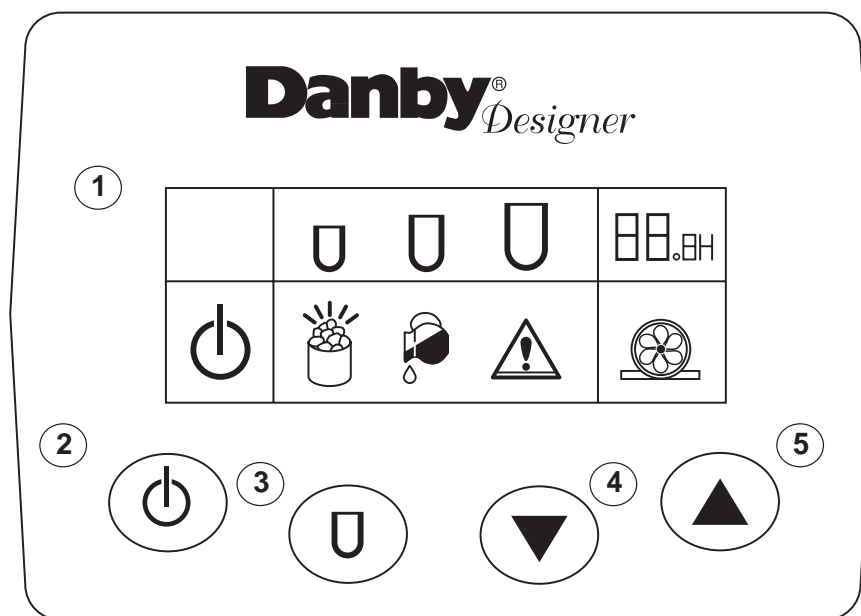


Accessoires

- 8 Bouchon de vidange.**
- 9 Seau à glaçons.**



Commandes de votre machine à glaçons




1. Affichage électronique - montre le réglage de la minuterie, les indicateurs de fonctions sélectionnées et les icônes d'état de fonctionnement.


2. Bouton d'alimentation - pour démarrer ou arrêter l'unité ou pour retirer la minuterie et/ou annuler le programme en cours.


3. Sélecteur de grosseur de glaçons - vous permet de choisir entre trois (3) grosseurs de cubes de glace.

4. Bouton d'incrémentement - utilisé conjointement avec la minuterie. chaque actionnement rajoute 0,5 heure à la durée de la minuterie.


5. Bouton de décrémentation - utilisé conjointement avec la minuterie. chaque actionnement soustrait 0,5 heure à la durée de la minuterie.


 • **Icône de petit cube de glace** - indique que la machine à glaçons est actuellement réglée pour produire des petits cubes de glace.


 • **Icône de cube de glace moyen** - indique que la machine à glaçons est actuellement réglée pour produire des cubes de glace moyens.


 • **Icône de gros cube de glace** - indique que la machine à glaçons est actuellement réglée pour produire des gros cubes de glace.


 • **Minuterie** - affiche l'heure de démarrage différé.

 • **Icône d'alimentation** - cet icône clignote lorsque l'interrupteur d'alimentation est ouvert et s'allume en permanence lorsque l'unité est alimenté.

 • **Icône de plein de glaçons** - s'éclaire pour indiquer que leseau d'eau est plein et devra être vidé pour poursuivre la formation de glaçons.

 • **Ajouter de l'eau** - s'éclaire lorsque le réservoir interne a besoin d'être rempli pour pouvoir terminer la formation de glaçons selon le programme présentement sélectionné.

 • **Défaut** - cette icône s'affiche lorsque l'unité a détecté un problème et ne peut entamer ou terminer le procédé de formation de glaçons. Si cette situation survient, veuillez vous référer à la page 23 pour obtenir des instructions de dépannage.

 • **Icône hélice** - s'éclaire lorsque l'unité pompe de l'eau du réservoir interne l'amenant dans leseau d'eau durant le cycle de formation de glaçons et d'autonettoyage.

Instructions de fonctionnement

Fabrication de glaçons...

Fabrication de glaçons

- 1 Faites le plein d'eau jusqu'à la ligne d'indication de niveau adéquat.
- 2 Appuyez sur le bouton d'alimentation.
- 3 Si vous désirez une grosseur de cubes de glace autre que moyen, changez la sélection de grosseur.

Pour faire débuter le procédé de fabrication de glaçons immédiatement;

- Faites le plein d'eau jusqu'à la ligne d'indication de niveau adéquat. (environ 3,5 l)
- Appuyez sur le bouton d'alimentation.
- Sélectionnez la grosseur de cubes de glace désirée (référez-vous au chapitre intitulé "Sélection de la grosseur des cubes de glace" ci-dessous)

• La machine à glaçons se mettra en marche environ 15 secondes après que le dernier bouton ait été actionné.

Veillez noter : La durée du procédé de fabrication de glaçons est directement proportionnelle à la sélection de la grosseur des cubes de glace et l'achèvement de lot peut prendre entre 9 et 15 minutes.

Pour un rendement optimal, veuillez garder la porte de la machine fermée durant le processus de fabrication de glaçons.

Sélection de grosseur de cubes de glace

- 1 Appuyez sur le bouton d'alimentation ou accédez au mode de réglage de la minuterie.
- 2 Appuyez sur le bouton de sélection de grosseur de cubes de glace du clavier de commande.

Le bouton de sélection de grosseur de cubes de glace vous permet de choisir entre petits, moyens, ou gros.

Votre machine à glaçons est par défaut programmée pour fabriquer des cubes de glace moyens. Cependant, si vous désirez une grosseur de cubes de glace différente, vous n'avez qu'à appuyer sur le bouton de sélection de grosseur pour pouvoir passer d'une grosseur à l'autre et sélectionner une des trois (3) grosseurs disponibles (petits, moyens et gros).

Il est possible de changer la grosseur des cubes de glace lors de la progression d'un programme, mais il est néanmoins recommandé de laisser le cycle entamé se terminer avant de définir une nouvelle grosseur de cubes de glace.

NOTE : Votre sélection de grosseur de cubes sera gardée en mémoire sauf s'il ya a panne de courant ou que l'alimentation de l'unité est autrement interrompue.

Démarrage différé

- 1 Faites le plein d'eau jusqu'à la ligne d'indication de niveau adéquat.
- 2 Assurez-vous que l'alimentation est désactivée "Hors".
- 3 Appuyez simultanément sur les boutons fléchés d'incrément et de décrémentation
- 4 Réglez la durée de la minuterie.
- 5 Sélectionnez la grosseur de cube de glace.

• Faites le plein d'eau jusqu'à la ligne d'indication de niveau adéquat. (environ 3,5 l)

• Sans actionner le bouton d'alimentation, appuyez une seule fois simultanément sur les boutons d'incrément et de décrémentation pour accéder au mode de réglage de la minuterie.

• Chaque actionnement subséquent du bouton d'incrément fera augmenter la durée de la minuterie par incrément de 30 minutes jusqu'à un maximum de 12 heures. Réciproquement, pour soustraire du temps de la minuterie, appuyez sur le

bouton de décrémentation pour diminuer la période par tranches de 30 minutes.

• Sélectionnez la grosseur de cubes de glace désirée.

• La minuterie de la machine à glaçons se mettra automatiquement en marche après le dernier actionnement des boutons fléchés.

Pour annuler le délai et démarrer le procédé de fabrication de glaçons sur le champ, appuyez simplement sur le bouton d'alimentation à n'importe quel moment.

Instructions de fonctionnement

Mode d'auto nettoyage

1 Ajouter la solution eau/vinaigre (1:1)

2 Sans actionner le bouton d'alimentation, appuyez deux fois simultanément sur les boutons fléchés d'incrémentatation/décrémentatation.

3 Après l'achèvement du programme, faites la vidange du réservoir.

4 Faites le plein d'eau jusqu'à la ligne d'indication de niveau adéquat.

5 Répétez l'étape 2

6 Après l'achèvement du programme, faites la vidange du réservoir.

Avant de faire des glaçons pour la première fois ou si la machine n'a pas été utilisée pour une longue période de temps, effectuez un cycle d'auto nettoyage avant de poursuivre.

Étape 1

- Mettez dans le réservoir de la machine à glaçons, une solution à parts égales (1:1) d'eau de vinaigre.

- Sans actionner le bouton d'alimentation, appuyez simultanément à deux reprises sur les boutons fléchés d'incrémentatation et de décrémentation pour activer le mode d'autonettoyage. Notez que le mode d'auto nettoyage démarrera automatiquement environ 10 secondes après le dernier actionnement des boutons.

- En mode d'autonettoyage, le seau à glaçons supérieur se remplit et est déversé plusieurs fois et la pompe demeure en fonction continue pour fournir de l'eau au seau et aux serpentins de évaporation. Ce processus continue durant environ cinq minutes et demi.

À la fin de cette durée, l'unité s'arrête automatiquement et est prête pour l'étape 2.

Étape 2

- Vidangez la solution de nettoyage du réservoir interne en retirant le capuchon et bouchon de vidange (voir p. 21).

- Faites le plein d'eau fraîche jusqu'à la ligne d'indication de niveau adéquat du réservoir interne.

- Sans actionner le bouton d'alimentation, appuyez simultanément à deux reprises sur les boutons fléchés d'incrémentatation et de décrémentation pour activer le mode d'autonettoyage qui agit maintenant comme cycle de rinçage.

À l'achèvement de cette étape finale du procédé d'autonettoyage, l'unité s'arrête encore automatiquement. Procédez à la vidange de l'eau du réservoir interne et laissez le couvercle de la machine à glaçons enlevé pour laisser la machine s'assécher à l'air libre.

Vidange de votre Machine à glaçons

AVERTISSEMENT:

Le compartiment interne de rangement de cet appareil ménager pour les glaçons et l'eau remisés n'est pas un compartiment réfrigéré.

Nous recommandons le remplacement de toute eau remisee qui n'a pas été utilisée en dedans d'une période de 12 heures de la mise en service de la machine.

Pour maintenir un environnement hygiénique à l'intérieur de votre machine à glaçons et prévenir la formation possible de bactéries qui peuvent altérer le goût des glaçons, il est fortement recommandé de vidanger la machine à glaçons après chaque utilisation journalière ou si l'eau a été stockée dans le réservoir interne pendant plus que douze (12) heures.

Pour vidanger votre machine à glaçons;

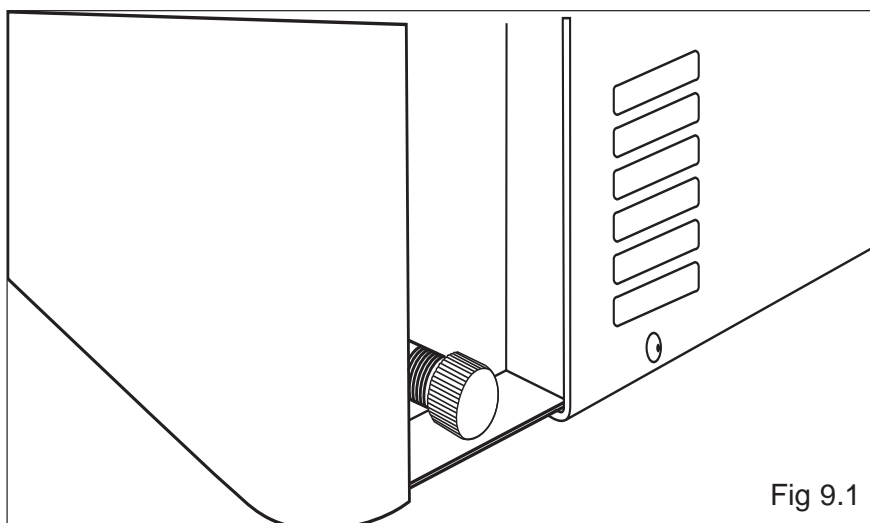
- Placez un cabaret de récupération sous la portion arrière droite de l'armoire de la machine. L'eau peut s'évacuer avec force, dépendamment de la quantité d'eau contenue dans le réservoir interne. Inclinez légèrement le récipient de vidange vers le

bec verseur pour ne pas que l'eau soit projetée ailleurs que l'aire de récupération voulue.

- Retirez les capuchon et bouchon de vidange (comme montré à la fig.9.1).

- Lorsque le débit de l'eau sortant diminue à un filet, encantez légèrement votre machine à glaçons vers l'arrière pour garantir que l'eau pouvant rester à l'intérieur soit toute vidangée.

Après avoir retirer l'eau de l'appareil, essuyez le réservoir interne et le seau à glaçons et laissez le couvercle de la machine à glaçons en position ouverte pour accélérer le séchage.



Soins et entretien

Conseils utiles

Après vous sont finis avec la fabrication de glace, effectué un autonettoyage ou un nettoyage manuel, laissez la porte de la machine ouverte durant quelques minutes pour aérer et assécher l'intérieur de l'armoire.

NOTE : Avant de nettoyer quelque partie que ce soit de cet appareil, assurez-vous que l'alimentation est coupée.

Comment nettoyer l'intérieur

N'utilisez jamais de nettoyant industriels sur aucune partie de votre Machine à glaçons.

Pour être instruit sur la façon correcte de nettoyer le système, veuillez vous référer au chapitre intitulé "Mode d'autonettoyage" à la page 20.

Parois, plancher du réservoir, intérieur de la visière et composants en plastique

Certaines éclaboussures d'eau et poussières peuvent être essuyées avec des essuie-tout. D'autres taches peuvent nécessiter un linge humide.

Seau à glaçons

Pour ne pas qu'il se brise, ne placez pas le seau à glaçons dans de l'eau chaude immédiatement après avoir fait des glaçons. Lavez le délicatement à l'eau tiède et savonneuse. Le seau à glaçon se brisera s'il est échappé au sol. Rappelez vous de ne pas faire fonctionner la machine à glaçons sans que le seau à glaçons ne soit en place.

N'utilisez pas de nettoyants abrasifs ou d'ustensiles acérés sur aucune partie de votre machine à glaçons.

Comment nettoyer l'extérieur

N'utilisez pas de produits nettoyants comprenant de l'ammoniaque ou de l'alcool sur la machine à glaçons.

L'ammoniaque ou l'alcool peuvent altérer le fini de l'appareil.

Extérieur de l'armoire

Nettoyez l'extérieur de l'appareil avec un chiffon savonneux. Rincez et puis essuyez à sec. Nettoyez la visière avec un chiffon humide.

Porte et panneau de commande

Essuyez avec un chiffon humide. Asséchez bien avec un chiffon sec. N'utilisez pas de nettoyants en aérosol, de grandes quantités d'eau et de savon, d'abrasifs ou d'objets acérés sur le panneau, ceci pourrait l'endommager. Certains essuie-tout peuvent aussi égratigner le panneau de commande.

Porte

Il est important de garder la région de scellement de la porte sur l'armoire propre. N'utilisez que des détergents doux, non abrasifs, appliqués avec une éponge propre ou un chiffon doux. Rincez abondamment.

En cas de panne

Avant de placer un appel de service

Problème	Cause possible	Ce qu'il faut faire
La machine à glaçons ne se met pas en marche.	Un fusible de votre panneau de distribution peut être grillé ou le disjoncteur déclenché.	Remplacez le fusible ou réarmez le disjoncteur.
	Surtension.	Débranchez la machine à glaçons et attendez quelques secondes, et puis rebranchez la.
	La fiche n'est pas complètement insérée dans la prise murale.	Assurez-vous que la fiche à 3 branches de la machine à glaçons est complètement insérée dans la prise.
	Manque d'eau	Assurez-vous qu'il y a suffisamment d'eau dans le réservoir interne.
	Seau de glaçons plein	Videz le seau de glaçons..
	Mode 'en défaut'	<i>Référez-vous au chapitre intitulé "Icône de mode en défaut" ci-dessous</i>
Icône de mode 'en défaut' éclairé à l'afficheur	Le seau d'eau ne peut pas tourner.	Des cubes de glace peuvent s'être logés entre le récipient d'eau et l'évaporateur. Désalimentez l'unité et retirez tout glaçon sur le récipient d'eau ou sur la pelle à glaçons.
	Obstruction du boyau d'eau.	Ceci peut se produire lors de l'utilisation de l'unité (ou lorsqu'elle a été remise) à de basses températures. Laissez l'unité se tempérer à 20 deg. C pendant quelques heures avant de réessayer de faire des glaçons ou d'utiliser le mode d'autonettoyage.

Si aucune des suggestions ci-dessus ne corrigent le problème, communiquez avec notre service d'assistance au **1-800-26 Danby® (1-800-263-2629)**

Cet appareil de qualité est garanti exempt de tout vice de matière première et de fabrication, s'il est utilisé dans les conditions normales recommandées par le fabricant.

Cette garantie n'est offerte qu'à l'acheteur initial de l'appareil vendu par Danby ou par l'un des ses distributeurs agréés et elle ne peut être transférée.

CONDITIONS

Pièces en plastique (la porte de l'évaporateur, gardes de porte, couvercle et bacs sont couverts par une garantie sans extension de 30 jours de la date d'achat.

Première année Pendant la première (1) année, toutes pièces électriques de ce produit s'avèrent défectueuses, y compris les unités ayant des systèmes obturés, seront réparées ou remplacées, selon le choix du garant, sans frais à l'acheteur INITIAL. Les autres pièces courantes (par ex., les ampoules) ne sont couvertes par aucune garantie.

Pour bénéficier du service sous garantie Le client sera responsable pour le transport et tous les frais d'expédition de tout appareil exigeant le service au dépôt de service autorisé le plus proche. S'adresser au détaillant qui a vendu l'appareil, ou à la station technique agréée de service la plus proche, où les réparations doivent être effectuées par un technicien qualifié. Si les réparations sont effectuées par quiconque autre que la station de service agréée où à des fins commerciales, toutes les obligations de Danby en vertu de cette garantie seront nulles et non avenues.

EXCLUSIONS

En vertu de la présente, il n'existe aucune autre garantie, condition ou représentation, qu'elle soit exprimée ou tacite, de façon manifeste ou intentionnelle, par Danby Products Limitée (Canada) ou Danby Products Inc. (E.-U. d'A.) ou ses distributeurs agréés. De même, sont exclues toutes les autres garanties, conditions ou représentations, y compris les garanties, conditions ou représentations en vertu de toute loi régissant la vente de produits ou de toute autre législation ou règlement semblables.

En vertu de la présente, Danby Products Limitée (Canada) ou Danby Products Inc. (E.-U. d'A.) ne peut être tenue responsable en cas de blessures corporelles ou des dégâts matériels, y compris à l'appareil, quelle qu'en soit la cause. Danby ne peut pas être tenue responsable des dommages indirects dus au fonctionnement défectueux de l'appareil. En achetant l'appareil, l'acheteur accepte de mettre à couvert et de dégager Danby Products Limitée de toute responsabilité en cas de réclamation pour toute blessure corporelle ou tout dégât matériel causé par cet appareil.

CONDITIONS GÉNÉRALES

La garantie ou assurance ci-dessus ne s'applique pas si les dégâts ou réparations sont dus aux cas suivants:

- 1) Panne de courant;
- 2) Dommages subis pendant le transport ou le déplacement de l'appareil;
- 3) Alimentation électrique incorrecte (tension faible, câblage défectueux, fusibles incorrects);
- 4) Accident, modification, emploi abusif ou incorrect de l'appareil;
- 5) Utilisation dans un but commercial ou industriel;
- 6) Incendie, dommages causés par l'eau, vol, guerre, émeute, hostilités, cas de force majeure (ouragan, inondation, etc.);
- 7) Visites d'un technicien pour expliquer le fonctionnement de l'appareil au propriétaire.

Une preuve d'achat doit être présentée pour toute demande de réparation sous garantie. Prière de garder le reçu. Pour faire honorer la garantie, présenter ce document à la station technique agréée ou s'adresser à:

ÍNDICE

Información Importante de Seguridad

27

Recomendaciones de Seguridad	27
Instrucciones de la conexión a tierra	28

Instrucciones de operación

29

Funciones de su Equipo para Fabricar Hielo	29
Controles de su Equipo para Fabricar Hielo	30
Fabricando Hielo	31
Selección del Tamaño del Hielo	31
Encendido con Retardo	31
Modo de Auto Limpieza	32

Información Útil

33

Vaciado de su Equipo para Fabricar Hielo	33
Cuidado y Limpieza	34

Si Tiene Algún Problema

35

Antes de Llamar por Asistencia	35
Garantía	36

BIENVENIDO

Bienvenido a la familia Danby. Estamos orgullosos de nuestros productos de alta calidad y creemos en el servicio confiable.

Usted lo podrá apreciar en este manual fácil de usar, y lo escuchará en las voces amistosas de nuestro departamento de servicio al cliente.

Tel.: 1-800-26-**Danby**[®]

Sobre todo, usted apreciará estas ventajas cada vez que use su equipo para fabricar hielo. Eso es importante, ya que su nuevo equipo para fabricar hielo formará parte de su familia por mucho tiempo.

¡Comience Aquí!...Antes de usar su equipo para fabricar hielo 'Ice'N'Easy'

Escriba aquí el modelo y el número de serie. Se encuentran en una etiqueta en la parte de atrás del equipo para fabricar hielo.

Número de Modelo _____

Número de Serie _____

Fecha de compra _____

Abroche su recibo en la parte de atrás de este manual. Lo necesitará para obtener servicio de garantía.

¿NECESITA AYUDA?

Antes de solicitar servicio, hay algunas cosas que puede hacer para ayudarnos a servirle mejor...

Lea este manual

Contiene instrucciones que lo ayudarán a mantener correctamente su equipo para fabricar hielo.

Si ha recibido un artefacto dañado

Llame inmediatamente al distribuidor (o constructor) que le vendió el producto.

Ahorre tiempo y dinero

Revise la sección titulada "Si algo sale mal" antes de llamar. Esta sección le ayudará a resolver problemas comunes que pudieran ocurrir.

Si necesita asistencia, no se preocupe y llámenos.

Tel: 1-800-26-**Danby**[®]

INSTRUCCIONES IMPORTANTES DE SEGURIDAD

LEA TODAS LAS INSTRUCCIONES DE SEGURIDAD ANTES DE UTILIZARLO

ADVERTENCIA

Para reducir el riesgo de incendio, quemaduras, descargas eléctricas o daños personales al usar su artefacto, siga las precauciones básicas incluidas en las secciones siguientes.

RECOMENDACIONES DE SEGURIDAD

- Este artefacto debe ser conectado a tierra. Conéctelo únicamente a un tomacorriente con conexión a tierra. Vea las "Instrucciones de Conexión a Tierra" de la página 28.
- No use este artefacto si tiene el cable de alimentación o el enchufe dañado, si no funciona correctamente o si se ha dañado o caído.
- No use este producto cerca del agua, por ejemplo en un sótano húmedo, cerca de una piscina o cerca de una pileta.
- Utilice este artefacto únicamente para los fines indicados en este manual. No use productos químicos corrosivos o vapores en este artefacto.
- Este artefacto debe ser reparado únicamente por personal calificado. Llame al centro de reparaciones más cercano para que sea examinado, reparado o ajustado.
- Vea las instrucciones de limpieza de la superficie de la puerta en la(s) sección(es) de Cuidado y Limpieza de este manual.
- No tape u obstruya ninguna abertura de este artefacto.
- No deje este artefacto en el exterior.
- Mantenga el cable de alimentación alejado de superficies calientes.
- No sumerja el cable de alimentación ni el enchufe en agua.
- Como con cualquier artefacto, necesita estrecha supervisión al ser usado por niños.

Advertencia: El compartimiento de almacenamiento interno de este artefacto es para almacenar cubos de hielo y agua, no es un compartimiento refrigerado. Le recomendamos reemplazar el agua que no se haya usado por más de 12 horas de funcionamiento de la máquina.

CONSERVE ESTAS INSTRUCCIONES

INSTRUCCIONES IMPORTANTES DE SEGURIDAD

INSTRUCCIONES DE LA CONEXIÓN A TIERRA

ADVERTENCIA

La conexión inadecuada del cable de tierra puede causar riesgo de descarga eléctrica.

Este artefacto debe ser conectado a tierra. En caso de un corto circuito eléctrico, la conexión a tierra reduce el riesgo de una descarga eléctrica proporcionando un cable de retorno para la corriente eléctrica.

Este artefacto viene con un cable de alimentación que tiene un conductor y pata del enchufe de tierra.

Este cable debe enchufarse en un tomacorriente debidamente instalado y con conexión a tierra.

Si no entiende claramente las instrucciones de conexión a tierra, o si no está seguro de que su tomacorriente esté correctamente conectado a tierra, llame a un electricista calificado.

Si el tomacorriente es uno común de 2 patas, es su responsabilidad personal y obligación el reemplazarlo por uno de 3 patas correctamente conectado a tierra.

Para obtener el mejor resultado, enchufe este artefacto en su propio tomacorriente para evitar que las luces titilen, quemar un fusible o disparar una llave térmica.

Nunca, bajo ninguna circunstancia, corte o remueva la tercera pata (tierra) del enchufe.

No use un enchufe adaptador con este artefacto.

No use un cable de prolongación con este artefacto. Si el cable de alimentación es demasiado corto, haga que un electricista calificado o un técnico de reparaciones instale otro tomacorriente más cerca del artefacto.

Instrucciones de Operación

Funciones de su Equipo para Fabricar Hielo

Exterior

1 Puerta del Equipo para Fabricar Hielo con ventana.

2 Panel de Control
(vea página 30 por más detalles)

3 Patas Ajustables.



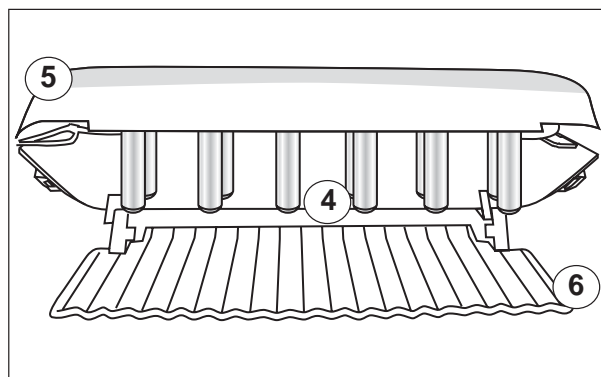
Interior

4 Serpentina Evaporadoras.

5 Tanque de Agua.

6 Pala para Hielo.

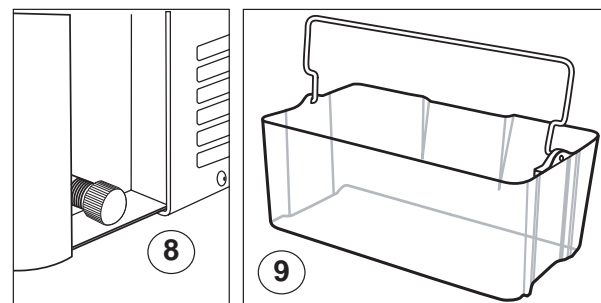
7 Línea de llenado de agua.



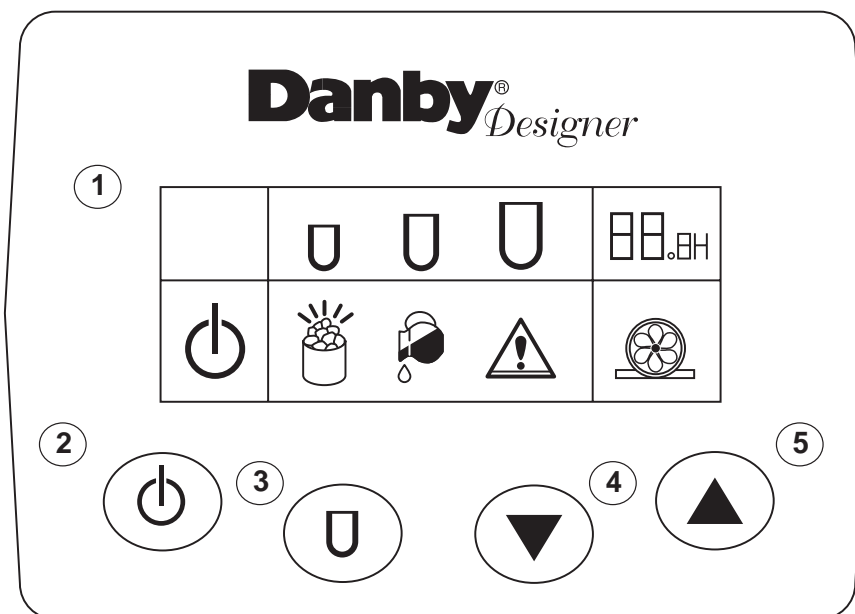
Accesorios

8 Tapón de Drenaje.

9 Recipiente del Hielo.



Controles de su Equipo para Fabricar Hielo



1. Pantalla Electrónica -


Muestra los ajustes del temporizador, indicadores de selección y símbolos de estado.


2. Botón de Encendido- Se usa para encender y apagar la unidad, también se usa para anular el temporizador y/o un programa que se esté ejecutando.


3. Selector de Tamaño del Hielo - Le permite elegir entre tres (3) tamaños disponibles de hielo.


4. Botón de Aumento - Se usa junto con el temporizador, cada pulsación agrega 0,5 horas al temporizador.


5. Botón de Disminución - Se usa junto con el temporizador, cada pulsación le quita 0,5 horas al temporizador.


 • **Símbolo de Cubitos Pequeños** -Indica que el equipo para fabricar hielo está programado para hacer cubitos pequeños.


 • **Símbolo de Cubitos Medianos** - Indica que el equipo para fabricar hielo está programado para hacer cubitos medianos.


 • **Símbolo de Cubitos Grandes** - Indica que el equipo para fabricar hielo está programado para hacer cubitos grandes.


 • **Temporizador** - Muestra la hora de encendido retardado del temporizador.

 • **Símbolo de Encendido** - Este símbolo parpadea cuando la unidad está apagada y aparece quieto cuando la unidad está encendida.

 • **Símbolo de Hielo Lleno** - Se enciende para indicar que el recipiente del agua está lleno y necesita ser vaciado antes de poder seguir produciendo hielo.

 • **Agregar Agua** - Se enciende cuando el tanque interno necesita ser llenado antes de poder empezar o continuar con el programa en curso.

 • **Falla** - Si este indicador aparece en la pantalla significa que la unidad ha sufrido una falla y no puede comenzar o continuar con la fabricación de hielo. Si esto sucede, lea las instrucciones de la página 35.

 • **Símbolo de Hélice** - Se enciende cuando la unidad está bombeando agua desde el tanque interno al recipiente del agua durante el ciclo de fabricación de hielo y el de auto limpieza.

Instrucciones de Operación

Fabricando Hielo

1. Agregue agua hasta la línea de llenado.
2. Presione el botón de encendido.
3. Cambie el tamaño del hielo si no desea cubitos medianos

Para comenzar inmediatamente con el proceso de fabricación de hielo;

- Agregue agua hasta la línea de lleno. (Aproximadamente 3,5 L)
- Presione el botón de encendido.
- Seleccione el tamaño deseado de los cubitos (Vea "Selección del Tamaño del Hielo" más abajo)

• El equipo comenzará a funcionar unos 15 segundos después de presionar el último botón.

Observaciones: El tiempo que tarda en hacer el hielo es directamente proporcional al tamaño de los cubitos y varía entre 9 minutos y 15 minutos por ciclo.

Para obtener el mejor resultado, mantenga la puerta del equipo cerrada durante el proceso de fabricación de hielo.

Selección del Tamaño del Hielo

1. Presione el botón de encendido o entre en el modo Temporizador.
2. Presione el botón de selección del tamaño del cubito en el panel de control.

Este control le permite elegir entre cubitos pequeños, medianos o grandes.

Inicialmente, su equipo está configurado para producir cubitos medianos. Sin embargo, si prefiere cubitos de otro tamaño, solo necesita presionar el botón del selector del tamaño de los cubitos para desplazarse entre los tres (3) tamaños disponibles (pequeño, mediano y grande).

Se puede cambiar el tamaño de

los cubitos mientras está ejecutando un programa, sin embargo, le recomendamos esperar hasta que haya terminado el ciclo antes de cambiar el tamaño.

NOTA: A menos que haya un corte de corriente o se haya interrumpido la alimentación de la unidad. El tamaño seleccionado de cubito será memorizado para el próximo ciclo.

Encendido con Retardo

1. Agregue agua hasta la línea de llenado.
2. Verifique que la unidad esté apagada.
3. Presione las flechas hacia arriba y hacia abajo simultáneamente.
4. Elija la duración del temporizador.
5. Elija el tamaño de los cubitos.

• Agregue agua hasta la línea de lleno. (Aproximadamente 3,5 L)

• Con el equipo apagado. Presione las flechas hacia arriba y hacia abajo simultáneamente una vez para entrar al modo de ajuste del temporizador.

- Cada pulsación subsiguiente de la flecha hacia arriba aumentará el temporizador en incrementos de 30 minutos, hasta 12 horas. Para sustraer tiempo del temporizador, presione la flecha hacia abajo para disminuirlo en incrementos de 30 minutos.
- Elija el tamaño de cubitos que

desee.

• El temporizador del equipo comenzará a funcionar unos 10 segundos después de presionar el último botón.

Para anular el temporizador en cualquier momento y comenzar con la fabricación de hielo inmediatamente, presione el botón de encendido.

Instrucciones de Operación

Modo de Auto Limpieza

1. Agregue agua y vinagre (1:1)
2. Con el equipo apagado, presione simultáneamente la flecha hacia arriba y hacia abajo dos veces.
3. Vierta el agua cuando el ciclo haya terminado.
4. Agregue agua hasta la línea de lleno.
5. Repita el paso 2
6. Vierta el agua cuando el ciclo haya terminado.

Debe realizar un ciclo de auto limpieza antes de usar el equipo para fabricar hielo por primera vez y si lo ha dejado de usar por mucho tiempo.

Paso 1

- Agregue partes iguales de agua y vinagre (1:1) al tanque del equipo para fabricar hielo.
- Con el equipo apagado, presione simultáneamente la flecha hacia arriba y hacia abajo dos veces para activar el modo de auto limpieza. Note que el ciclo de auto limpieza comenzará automáticamente unos 10 segundos después de haber presionado los botones.
- Durante el ciclo de auto limpieza, el recipiente del hielo se llena y vacía varias veces y la bomba funcionará constantemente para llevar agua al recipiente y a las serpentinas de evaporadoras. Este ciclo dura unos cinco minutos y medio aproximadamente.

Al terminar, la unidad se apaga automáticamente y queda lista para el paso 2.

Paso 2

- Vacíe la solución limpiadora del recipiente interno quitando la tapa del drenaje posterior (vea la página 9).
- Agregue agua limpia al tanque interno hasta la marca de lleno "Fill Line".
- Con el equipo apagado, presione simultáneamente la flecha hacia arriba y hacia abajo dos veces para activar el modo de auto limpieza, el que actuará como ciclo de enjuague.

Al terminar con este paso final del ciclo de auto limpieza, la unidad se apaga automáticamente. Vacíe el agua del recipiente interno y deje la tapa del equipo para fabricar hielo abierta para que se seque con el aire.

Vaciado de su Equipo para Fabricar Hielo

ADVERTENCIA:

El compartimiento de almacenamiento interno de este artefacto es para almacenar cubos de hielo y agua, no es un compartimiento refrigerado.

Le recomendamos reemplazar el agua que no se haya usado por más de 12 horas de funcionamiento de la máquina.

Para mantener un ambiente limpio dentro de su equipo para fabricar hielo y evitar la formación de bacteria que podría afectar el gusto del hielo, le recomendamos vaciar completamente el equipo luego de cada uso (todos los días) o si el agua se ha almacenado dentro del depósito interno por más entonces doce (12) horas.

Para vaciar su equipo para fabricar hielo;

- Coloque una bandeja colectora debajo de la parte trasera derecha del gabinete. Dependiendo de la cantidad de agua que tenga en el tanque interno, el agua puede salir rápidamente por el drenaje. Incline levemente la bandeja de drenaje hacia el

pico de drenaje para evitar que el agua salpique inesperadamente.

- Quite el tapón de drenaje (como se muestra en la figura 9.1).
- Una vez que la salida de agua haya disminuido, incline levemente el equipo hacia atrás para asegurarse de que le salga toda el agua que tenga en su interior.

Una vez que haya sacado el agua del artefacto, seque el tanque interno y el recipiente del hielo y deje la tapa abierta para acelerar el proceso de secado.

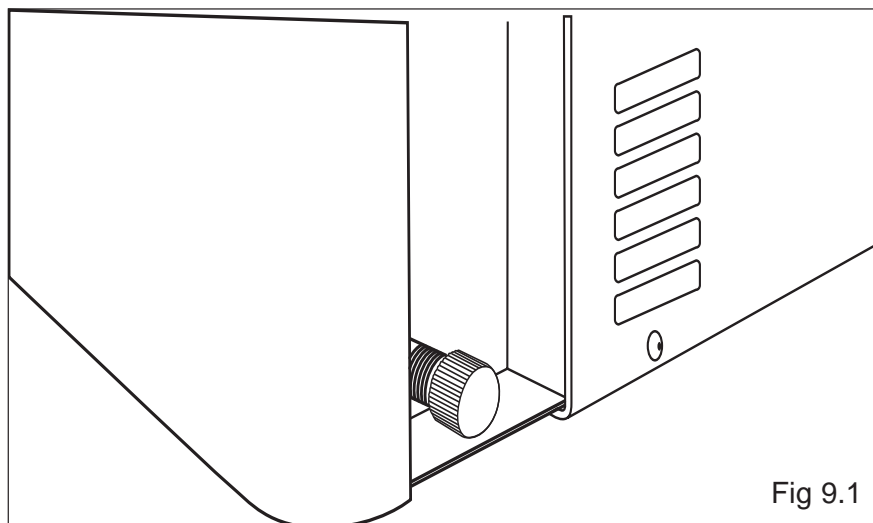


Fig 9.1

Cuidado y Limpieza

Consejos Útiles

Deje la puerta del equipo para fabricar hielo abierta durante unos minutos luego de haber realizado el ciclo de auto limpieza o limpieza manual para que el interior del gabinete se seque con el aire.

NOTA: Verifique que la unidad esté apagada antes de limpiar cualquiera de sus partes.

Cómo limpiar el interior

Nunca use limpiadores comerciales en ninguna parte de este equipo para fabricar hielo.

Refiérase a la Sección de Auto Limpieza de la página 32 por instrucciones de limpieza.

Paredes, Piso del Recipiente, Interior de la Ventana y Partes Plásticas

Algunos sedimentos del agua y tierra pueden quitarse con una toalla de papel, otros pueden necesitar un trapo húmedo.

Recipiente del Hielo

Para evitar que se rompa, no lo coloque en agua caliente inmediatamente después de hacer el hielo. Lávelo cuidadosamente en agua tibia, jabonosa. Puede romperse si se le cae. Recuerde, no use el equipo para fabricar hielo sin el recipiente para el hielo colocado en su lugar.

No use limpiadores abrasivos o utensilios filosos en ninguna parte del equipo para fabricar hielo.

Cómo limpiar el exterior

No use limpiadores que tengan amoníaco o alcohol en el equipo para fabricar hielo.

El amoníaco o el alcohol pueden dañar la apariencia del artefacto.

Cubierta Exterior

Limpie el exterior del artefacto con un trapo enjabonado. Enjuáguelo y séquelo completamente. Limpie la ventana con un trapo húmedo.

Panel de Control y Puerta

Repáselos con un trapo húmedo. Séquelos completamente. No use limpiadores en aerosol, demasiada agua y jabón, objetos abrasivos o filosos en el panel de control ya que podría dañarlo.

Algunas toallas de papel también podrían rayar el panel de control.

Superficie de la Puerta

Es importante mantener limpia la zona donde la puerta cierra contra el gabinete. Use únicamente detergentes livianos, no abrasivos, aplicados con una esponja limpia o un trapo suave. Enjuáguelo bien.

Si Tiene Algún Problema

Antes de Llamar por Asistencia

Problema	Posible Causa	Qué Hacer
El equipo no enciende.	Puede tener un fusible quemado o una llave térmica abierta en su instalación eléctrica.	Reemplace el fusible o encienda la llave general.
	Sobrevoltaje.	Desenchufe el equipo, espere unos segundos y vuelva a enchufarlo.
	El enchufe no está completamente insertado en el tomacorriente.	Verifique que el enchufe de 3 patas del equipo esté completamente insertado en el tomacorriente.
	Falta de agua.	Verifique que haya agua suficiente en el tanque interno.
	Recipiente para el hielo lleno.	Vacíe el recipiente del hielo.
	Modo 'falla'	<i>Vea 'Símbolo de Falla' mas abajo.</i>
El símbolo de Falla aparece en la pantalla.	El tanque interno no puede girar.	Puede haber cubitos de hielo alojados entre la caja de agua y el evaporador. Apague la unidad y quite los cubitos que pudiera haber en el tanque interno y/o la pala del hielo.
	Manguera de agua tapada.	Esto puede pasar cuando intenta usar la unidad (o si se ha guardado) en lugares de muy baja temperatura. Deje la unidad en un ambiente a 68° F (20° C) por unas horas antes de intentar usarla nuevamente o ponerla en modo de auto limpieza.

Si ninguno de los casos anteriores soluciona su problema, llame a nuestro departamento de servicio al cliente al **1-800-26-Danby®** (1-800-263-2629)



Model • Modèle • Modelo

DIM1524W

For service, contact your nearest service depot or call:

**1-800-26-DANBY
(1-800-263-2629)**

to recommend a depot in your area.

Pour obtenir de l'assistance, communiquez avec votre centre de service le plus rapproché ou composez le :

**1-800-26-DANBY
(1-800-263-2629)**

pour localiser le dépositaire de votre région

Para reparaciones, llame a su centro de reparaciones más cercano o al:

**1-800-26-DANBY
(1-800-263-2629)**

para recomendarle un centro de reparaciones en su área.

Ice Maker

The model number can be found on the serial plate located on the back panel of the unit.

All repair parts available for purchase or special order when you visit your nearest service depot. To request service and/or the location of the service depot nearest you, call the TOLL FREE NUMBER.

When requesting service or ordering parts, always provide the following information:

- Product Type
- Model Number
- Part Description

Machine à glaçons

Le numéro de modèle se trouve sur la plaque signalétique au dos de l'unité.

Vous pouvez vous procurer/commander toute pièce de rechange chez votre dépositaire le plus rapproché. Pour toute demande de service ou pour localiser le dépositaire/centre de service le plus rapproché, composez le NUMÉROSANS FRAIS.

Pour toute demande de service ou commande de pièces, fournissez toujours l'information suivante :

- Type de produit
- Numéro de modèle
- Description de la pièce requise

Equipo para fabricar hielo

El número de modelo se encuentra en la placa ubicada en el panel posterior de la unidad.

Todas las partes de recambio pueden comprarse o encargarse especialmente en su taller de reparación autorizado. Para solicitar servicio y/o localizar el centro de reparaciones más cercano, llame a nuestro NÚMERO SIN CARGO.

Proporcione siempre la siguiente información al solicitar servicio o al ordenar partes:

- Tipo de Producto
- Número de Modelo
- Descripción de la Parte