



- Owner's Use and Care Guide
- Guide d'utilisation et d'entretien
- Manual de instrucciones

**KEG COOLER
GLACIÈRE DE BIÈRE PRESSION
BARRIL REFRIGERADOR**

Model • Modèle • Modelo

DKC146SLDB



Contents

KEG COOLER

Owner's Use and Care Guide

• Safety Instructions	3,4
• Features	5
• Installation Instructions	6,7
• Beer Keg Installation Instructions	7-11
• Operating Instructions	12,13
• Care and Maintenance	14
• Troubleshooting	14
• Warranty	15

GLACIÈRE DE BIÈRE PRESSION

Guide d'utilisation et d'entretien

• Consignes de sécurité importantes	17,18
• Caractéristiques	19
• Instructions d'installation	20,21
• Notice d'installation du baril à bière.....	21-25
• Utilisation	27
• Soins et entretien	28
• Dépannage	28
• Garantie	29

BARRILREFRIGERADOR

Manual de uso y mantenimiento

• Instrucciones de seguridad importantes	31,32
• Características	33
• Instrucciones d'instalacion	34,35
• Instrucciones para la instalación del barril de cerveza	35-39
• Instrucciones de funcionamiento	40,41
• Limpieza y mantenimiento	42
• Solucion sugeridad	42
• Garantia	43

CAUTION:

Read and follow all safety rules and operating instructions before first use of this product.

PRECAUTION:

Veillez lire attentivement les consignes de sécurité et les instructions d'utilisation avant l'utilisation initiale de ce produit.

ADVERTENCIA:

Lea y observe todas las reglas de seguridad y las instrucciones de operación antes de usar este producto por primera vez.



Model • Modèle • Modelo DKC146SLDB

Welcome

Welcome to the Danby family. We're proud of our quality products, and we believe in dependable service; like you will find in this owner's use and care guide, and like you will receive from our friendly customer service department. Best of all, you will experience these values each and every time you use your Danby Keg Cooler. That's important, because your new appliance will be a part of your family for a long time.

For easy reference, may we suggest that you attach a copy of your sales receipt to this page, and note the information below; you will need this information to obtain service under warranty.

Model No: _____

Serial No: _____

Date Purchased: _____

Need Help?

Before you call for service, there are a few things you can do to help us serve you better.

Read this Owner's Use and Care Guide:

It contains instructions to help you use and maintain your appliance properly.

If you received a damaged appliance:

Immediately contact the builder (or dealer) that sold you the Beverage Center.

Save time and money:

Check the Trouble shooting section before calling. This section helps you solve common problems that may occur.

If you do need service, you can relax knowing help is only a phone call away.



Tel: 1-800-26-**Danby**
(1-800-263-2629)



Important Safety Information

READ AND FOLLOW ALL SAFETY INSTRUCTIONS

FOR YOUR SAFETY: Pertaining to the risk of Fire, Electric Shock or Injury to Persons.

GROUNDING INSTRUCTIONS

- This appliance must be grounded. In the event of a malfunction or breakdown, grounding will reduce the risk of electric shock by providing a path of least resistance for electric current.
- This appliance is equipped with a power cord having an equipment grounding conductor and grounding plug. The plug must be plugged into an appropriate wall outlet that is installed and grounded in accordance with all existing local codes and ordinances.
- Consult a qualified electrician or service person if the grounding instructions are not clearly understood, or if doubt exist as to whether your electrical wall outlets are properly grounded.

WARNING CO₂ CAN BE DANGEROUS!

CO₂ Cylinders when charged contain high pressure compressed gas which can be hazardous if not handled properly. Read and understand the following procedures for CO₂ cylinders before installation;

WARNING

If it becomes difficult to breathe and/or your head starts to ache, abnormal concentrations of carbondioxide (CO₂) may be present in the area....

CLOSE THE MAIN VALVE ON THE CO₂ CYLINDER, VENTILATE AND LEAVE THE ROOM IMMEDIATELY!

1. Always check the D.O.T. (Department of Transport) as well as the T.C. (Transport Canada) testdate located on the neck of the cylinder before installation. If the date is older than five (5) years, do not use, return the gas cylinder to a gas supplier for re-certification (service charges may be applicable).
 2. Always connect a CO₂ gas cylinder to a regulator. Failure to do so could result in an explosion which can possibly result in death or injury when the cylinder valve is opened.
 3. Never connect a CO₂ gas cylinder directly to beer keg.
 4. Always secure a CO₂ gas cylinder in an "upright" position.
 5. Always keep a CO₂ gas cylinder away from heat.
 6. Never drop or throw a CO₂ gas cylinder.
 7. Never connect a CO₂ cylinder unless there are two (2) safety mechanism's in the pressure system;
 - (a) One at or on the CO₂ regulator.
 - (b) One at or on the product container coupler in the pressure gas line.
 8. CO₂ gas cylinders should be stored in the coolest part of the establishment (preferably) at 70°F (21°C) and must always be securely fastened in an "upright" position.
 9. Always ventilate area after any leakage of CO₂.
- NOTE:** The regulator and keg coupler supplied with this unit are inclusive of such safety mechanisms.



Important Safety Information

READ AND FOLLOW ALL SAFETY INSTRUCTIONS

SAFETY PRECAUTIONS

- This appliance must be connected to a properly grounded electrical outlet (see Grounding Instructions)
- Do not operate this appliance if it has a damaged power cord or plug.
- Do not use this product near water, for example: in a wet basement, near a swimming pool or sink.
- Do not defrost this appliance using other electric appliances (i.e. hair dryer) and never attempt to scrape or remove ice/frost from the evaporator (cold plate) with sharp objects.
- Always disconnect the appliance from the power supply before cleaning and/or attempting repairs/servicing.

IMPORTANT WARNING

Repairs should be performed by qualified service personnel only.

DON'T WAIT DO THIS NOW!

Improper disposal of worn out appliances pose a risk of entrapment to children.

- If you have purchased this appliance to replace an old one remove either the gaskets, latches, lids or doors from the unused appliance. If it was equipped with a door lock that cannot be opened from the inside, (lock bolt) make sure the lock is removed, disabled or destroyed before discarding, this will make it impossible for children to accidentally lock themselves inside the appliance and suffocate.
- The refrigerator system of this appliance is filled with refrigerant and insulating substances which should be treated and processed separately. Call your nearest service agent or specialized servicing center. If you are unable to locate one, contact your local authorities for proper disposal instructions. Be careful not to damage any of the refrigeration lines of the appliance.

IMPORTANT WARNING

Beer is easily available with Danby's new Keg Cooler, however, it is not intended to be available to people under the legal age to consume beer. A beer faucet lock kit for the purpose of limiting access, is readily available and can be purchased through our after sales service department (see 'Optional Accessories'). Danby does not assume liability for the unlawful use or consumption of the beer.

PLEASE DRINK RESPONSIBLY AND PLEASE DON'T

DRINK AND DRIVE!



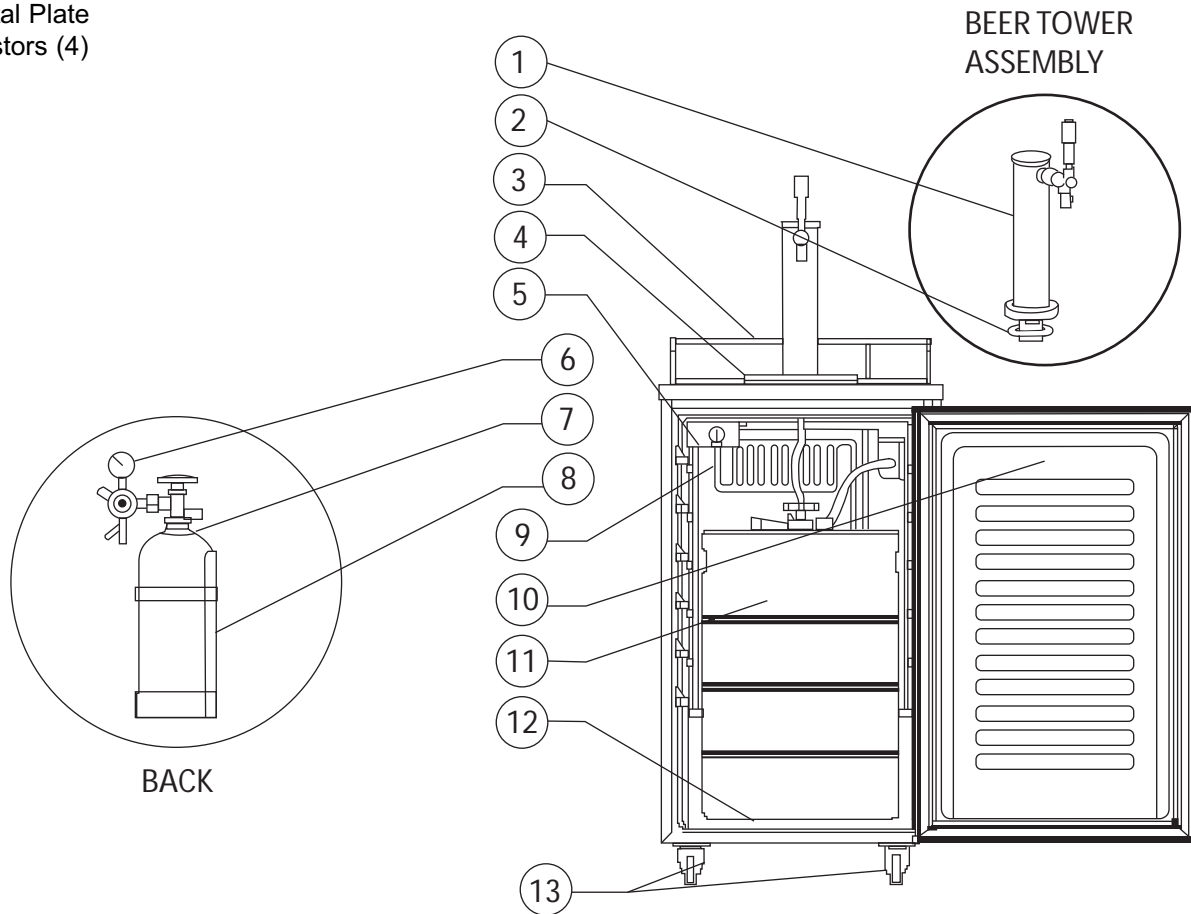
Features

CHILL N' TAP ACCESSORIES

INCLUDED ACCESSORIES

1. Beer Tower
2. Plastic Gasket
3. Safety Guard Rail
4. Drip Tray
5. Adjustable Thermostat
6. CO2 Regulator
7. CO2 Gas Cylinder
8. CO2 Gas Cylinder Support
9. Evaporator
10. Reversible Door
11. Beer Keg (not included)
12. Metal Plate
13. Castors (4)

Remove and inspect all accessories supplied with this unit are present and in good condition. In the event any of the accessories are missing and /or not in good condition, please call Danby TOLL FREE at the number listed below and speak with one of our Customer Service Representatives. **(1-800-263-2629)**





Installation Instructions

BEFORE USING YOUR BEER DISPENSER

- Remove the exterior and interior packing.
- Check to be sure you have all of the following parts:
 - 1 Safety Guard Rail
 - 1 Drip Tray (2 Pieces)
 - 1 CO2 Cylinder Support
 - 1 CO2 Regulator (Box)
 - 1 CO2 Empty Cylinder(Box)
 - 1 CO2 Air Line Hose (Red)
 - 1 Beer Keg Coupler (Box)
 - 1 Beer Tower
 - 1 Pull Handle (Beer TowerFaucet)
 - 4 Plugs: For Guard Rail Holes
 - 1 Metal Plate For Cabinet Bottom
 - 2 Steel wire shelves
 - 1 Steel Clamp for Red Hose
 - 4 Castors (2 front with locks)
 - Metal Washers
 - 1 Rubber Washer
- Before plugging in the keg cooler, let it stand upright for approximately 2 hours. This will reduce the possibility of a malfunction in the cooling system from handling during transportation.
- Clean the interior surface with lukewarm water using a soft cloth.

INSTALLATION OF BEER DISPENSER

- This appliance is designed to be free standing only, and should not be recessed or built-in.
- Place your Beer Dispenser on a floor that is strong enough to support the Beer Dispenser when it is fully loaded.
- Allow 3 inches of space between the back and sides of the Beer Dispenser, which allows the proper air circulation to cool the compressor.
- Locate the Beer Dispenser away from direct sunlight and sources of heat (stove, heater, radiator, etc.). Direct sunlight may affect the acrylic coating and heat sources may increase electrical consumption. Extreme cold ambient temperatures may also cause the Beer Dispenser not to perform properly. This unit is not designed for outside installation (ie garages, porches, etc.)
- Avoid locating the Beer Dispenser in excessive humidity.
- Plug the Beer Dispenser into a dedicated, properly installed-grounded wall outlet. Do not under any circumstances cut or remove the third (ground) prong from the power cord. Any questions concerning power and or grounding should be directed toward a certified electrician or an authorized service center.
- After plugging the appliance into a wall outlet, allow the unit to cool down for 2-3 hours before placing any contents in the Beer Dispenser compartment.

ELECTRICAL CONNECTION

WARNING

Improper use of the grounded plug can result in the risk of electrical shock. If the power cord is damaged, have it replaced by an authorized service center.

This Beer Dispenser should be properly grounded for your safety. The power cord of this Beer Dispenser is equipped with a three-prong plug which mates with standard three prong wall outlets to minimize the possibility of electrical shock.

Do not under any circumstances cut or remove the third ground prong from the power cord supplied.

Use of extension cords is not recommended.



Installation Instructions

ELECTRICAL CONNECTION (cont)

This Beer Dispenser requires a standard 115/120-volt, 60Hz electrical outlet with three-prong ground receptacle. The cord should be secured behind the Beer Dispenser and not left exposed or dangling to prevent accidental injury.

Never unplug the Beer Dispenser by pulling the power cord. Always grip the plug firmly and pull straight out from the receptacle.

WARNING

CO2 GAS CAN BE DANGEROUS

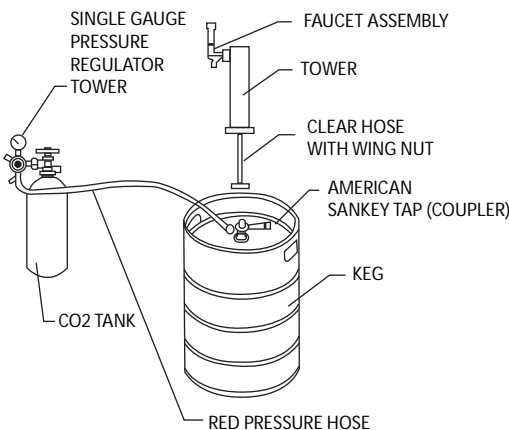
CO2 cylinders contain high-pressure compressed gas which can be hazardous if not handled properly. Make sure you READ and UNDERSTAND the following procedures for CO2 cylinders BEFORE INSTALLATION.

1. **ALWAYS** connect the CO2 cylinder to a regulator. Failure to do so could result in explosion with possible injury when the cylinder valve is opened.
2. **NEVER** connect the CO2 cylinder directly to the keg.
3. **ALWAYS** follow correct procedures when cylinders are changed as per local codes.
4. **ALWAYS** secure the CO2 cylinder in an upright position.
5. **NEVER** drop or throw a CO2 cylinder.
6. **ALWAYS** keep a CO2 cylinder away from heat. Store extra cylinders in a cool place (preferably 70°F). Securely fasten with a chain in an upright position when storing.
7. **ALWAYS** ventilate and leave the area immediately if CO2 leakage has occurred.
8. **ALWAYS** check the D.O.T. test date on the cylinder neck before installation. If over five (5) years, do not use, return cylinder to gas supplier.
9. **NEVER** connect a keg without a safety pressure release.
 - a. One at or on the CO2 regulator
 - b. One at or on the product coupler or in the pressure gas line.

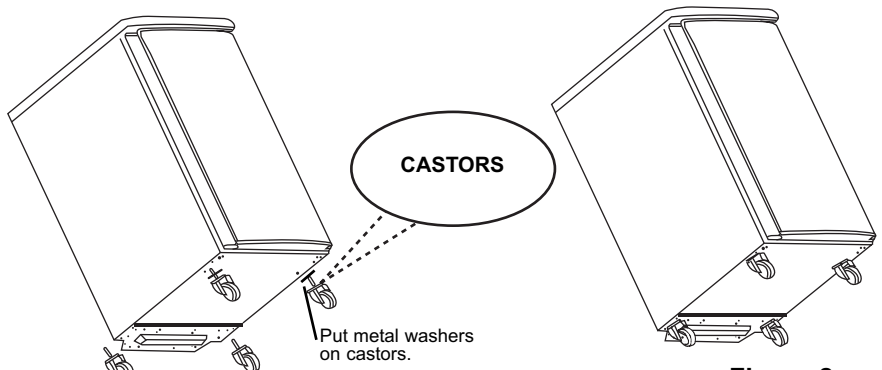


Beer Keg Installation Instructions

Keg Installation Sketch



- Install the four castors (2 locking castors at front) into the unit's bottom (four screw holes pre-supplied) Figure (1) before installation. Figure (II) is the final version. Put the metal washers provided on the castors before installing them.





Beer Keg Installation Instructions

CASTOR BRAKE GUIDE



STEP ON TO BRAKE



STEP ON TO RELEASE
BRAKE

INSTALLATION OF CO2 CYLINDER SUPPORT

- Install the metal support provided onto the 4 studs located on the exterior back wall. Align the holes in the support with the studs and push down firmly. (See Figure 1)

INSTALLATION OF CO2 CYLINDER

- The CO2 Cylinder does not come filled. The cylinder must be filled with CO2 prior to use.
- Install your fully charged cylinder into the support stand.

INSTALLATION OF CO2 REGULATOR

- Attach the CO2 regulator to the cylinder by turning the regulator nut onto cylinder valve, making sure washer is securely inserted into connecting nut. Tighten snug using an adjustable wrench (not supplied) and assure there are no leaks - no hissing sounds. (See Figure 2)

INSTALLATION OF CO2 AIR LINE OUTSIDE CABINET

- Remove plug located at the exterior back (top left hand corner).
- Save it for later use if you decide to convert unit to a refrigerator.
- Insert the open end of the air line into the cabinet through the uncovered hole. (See Figure 4)

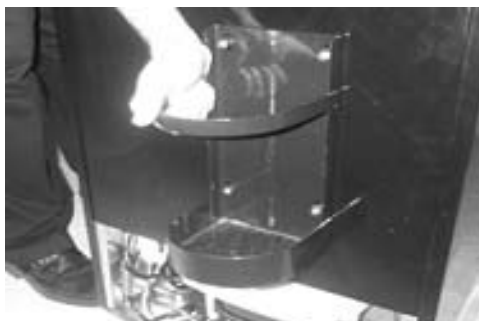


Figure 1



Figure 2



Figure 3



Beer Keg Installation Instructions

INSTALLATION OF CO2 AIR LINE HOSE TO REGULATOR

- Attach the open end of the hose to the hose barb connection on the regulator
- Secure hose by using one clamp provided. Use pliers/screwdriver to tighten clamp to prevent leaks. **(See Figure 3)**

INSTALLATION OF THE BEER TOWER

- Remove the top plug by twisting and pulling out, saving it for later use if you decide to convert unit to an all refrigerator unit.
- Unravel the beer line (clear hose) from the tower and insert the beer line and wing nut through the uncovered hole on top.
- Lock the beer tower assembly to the top and make sure to position the beer faucet so it is aligned with the cabinet front (6 o'clock position).
- The plastic gasket (# 2 in parts list), can be used to make the connection between the tower and the cooler tighter if needed. If Beer Tower will not turn to lock in place, try removing the plastic gasket.

INSTALLATION OF PROTECTIVE METAL PLATE

- This plate should always be installed when the keg is in place to protect against unnecessary damage to the floor of the cabinet.

INSTALLATION OF THE BEER KEG

- Position the beer keg directly in front of the open door. Using keg handles only, carefully lift the beer keg. **(See Figure 5)**
- To place the beer keg inside the cabinet, brace your knees behind the beer keg. Lift the front of the keg just enough so the front edge of the keg is resting on the front edge of the Beer Dispenser bottom cabinet. **(See Figure 6)**
- Grasp the keg handles and slide it all the way into the cabinet.

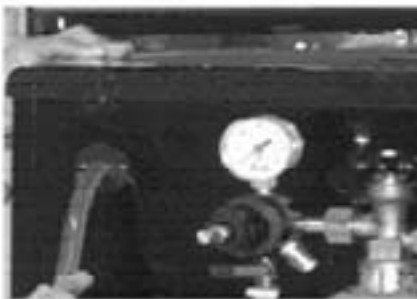


Figure 4



Figure 5



Figure 6

INSTALLATION OF THE KEG COUPLER

- Insert the keg coupler provided into the locking neck of the beer keg and turn it clockwise to lock into position, making sure the keg coupler is in the closed position. **(See Figure 7)**



Beer Keg Installation Instructions

INSTALLATION OF THE CO2 AIR LINE HOSE

- Attach the end of the air line (red) hose provided to the hose connection on the keg coupler.

CONNECTING THE BEER TOWER TO COUPLER

- Make sure the rubber washer is properly inserted into the coupler. See Fig. 7 below.
- Make sure the small round bead is in place (dropped down into the top of the coupler).
- Make sure the ball retainer is in place on the coupler, with the 'arms' down into the coupler.
- Place wing nut into the top of the coupler turning until tight.

HOW TO TAP A KEG OF BEER

- Make sure that the CO2 is turned off, and the Secondary valve on the regulator is in the 'Closed' position.
- Pull out and release the pressure release valve on the Coupler to purge any air pressure.
- Make sure the beer tower faucet is in the closed position.
- Pull tapping handle out and press downward until it locks into position. (See Figure 8) The keg is now tapped.

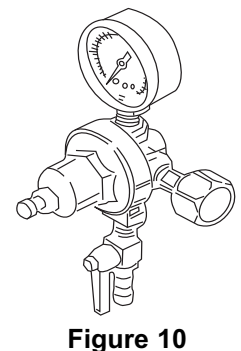
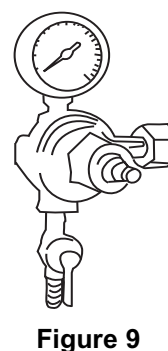
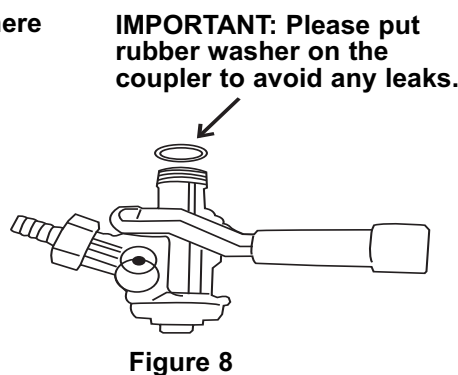
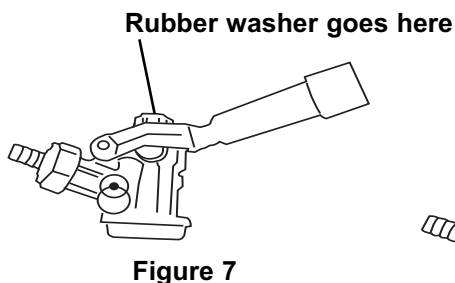
OPENING THE CO2 CYLINDER MAIN VALVE

- Make sure the secondary shut-off valve (shown in figure 9 in 'Open' position) is closed. To open the main CO2 cylinder valve, slowly turn the main valve counter-clockwise until fully open.
- Notice the needle on the regulator gauge start to climb.

ADJUSTING THE CO2 REGULATOR

The gauge monitors low internal keg pressure and should be adjusted to read between 10-12 psi. (See Figure 10). The pressure can be adjusted as needed.

- Release adjustment lock nut marked 2.
- Using a flat screwdriver, turn regulator screw marked 3.
 - o To increase pressure, turn screw clockwise.
 - o To decrease pressure, turn screw counter - clockwise.
- Retighten lock nut marked 2.
- Open secondary shut off valve to let CO2 flow into the keg.
- Allow several minutes for the keg to properly pressurize. Regulator gauge may drop while this happens. (Note: Listen for hissing along all connections to identify if there are any leaks)

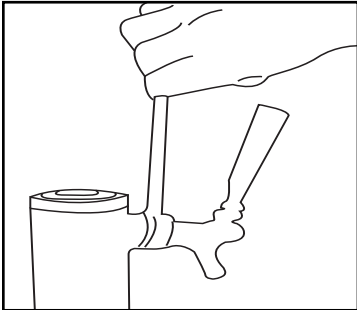




Beer Keg Installation Instructions

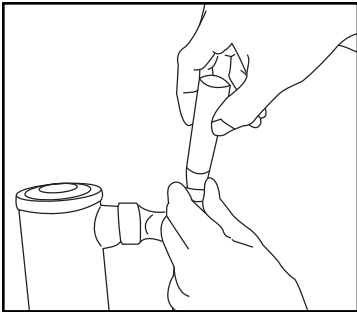
SPANNER FAUCET WRENCH (Not Included)

Spanner faucet wrench (not provided) is for either removing or tightening the connection.



PLASTIC FAUCET LEVER

Attach the black plastic lever (pull handle) to the top of the faucet by tightening it by hand clockwise until the end, holding in the silver nut underneath so it does not turn. If there is still a small drip from the faucet, you may have tightened the plastic lever too much and may need to unscrew silver snug counter-clockwise (as shown) one turn.



DISPENSING OF BEER

- Keep beer keg refrigerated at all times.
- Never allow beer lines to dry out.
- Use clean beer glassware before pouring.
- Hold glass at a 45° angle when 2/3 full, start to straighten glass as the glass fills.
- Always make sure the faucet handle is pushed all the way back.

Note: Keg sizes that can be used in your beer dispenser

1/2 barrel	59 Liters	15.5 gals	1984 oz.	164/12-oz. Glass
1/4 barrel	30 Liters	7.8 gals.	992 oz.	82/12-oz. Glass
1/6 barrel	20 Liters	5.2 gals.	661 oz.	55/ 12-oz. Glass
1/8 barrel	15 Liters	4.0 gals.	496 oz.	41/ 12-oz. Glass

Note: Our Beer dispenser accepts domestic kegs up to 16-1/8" in diameter, and up to 23-3/8" in height. Check with your distributor to make sure keg is correct size.



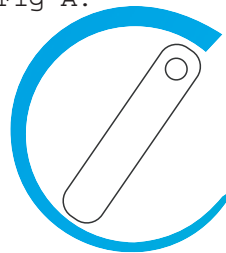
Operating Instructions

SETTING THE TEMPERATURE

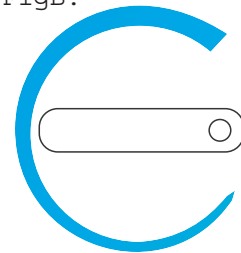
The temperature is controlled by adjusting/setting the thermostat control knob. To start the unit and achieve maximum cooling quickly;

- Turn the temperature control knob clockwise to the furthest (maximum) setting on the blue (wide) section of the control dial. **(Fig A)**
- Allow the unit to run at this setting for 3-4 hours.
- When maximum cooling is achieved, turn back the temperature control knob to a moderate/medium temperature.
- To turn off (no cooling) rotate the control knob to the “0” (off) position. **(Fig.B.)**

Fig A.



FigB.



AUTOMATIC DEFROSTING

There is no need to defrost the Beer Dispenser. Defrost water collects and passes thru the drain outlet in the rear wall into a tray located above the compressor, where it evaporates.

NOTE: If the unit is unplugged, power lost, or turned off; you must wait 3 to 5 minutes before restarting the unit. If you attempt to restart before this time delay, the Beer Dispenser may not start.

CONVERTING TO AN “ALL REFRIGERATOR”

1. Turn off the control knob to the “OFF” position.
2. Close the main valve on the CO2 cylinder.
3. Close the secondary shut-off valve on the regulator pipe.
4. Close the connection between the beer keg and the keg coupler.
5. Drain any remaining beer from the lines.
6. Disconnect the beer line and CO2 air line from the keg coupler
7. Remove the beer keg.
8. Remove the keg coupler.
9. Disconnect the air line from the CO2 cylinder.
10. Remove the CO2 air line from cabinet plug
11. Replace the air line rear cabinet plug
12. Remove the beer tower. Also pull the beer line thru the top of the cabinet
13. Replace the top cabinet plug
14. Adjust temperature as desired.



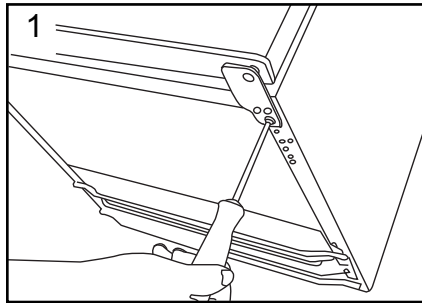
Operating Instructions

CHANGING THE REVERSIBLE DOOR

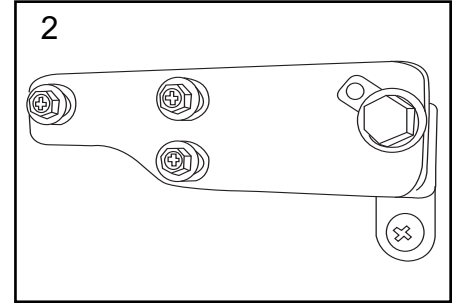
This Beer Dispenser has a door that can be set to open from the left or right side. The unit is delivered to you with the door opening from the left side. To reverse the opening direction, please follow the instructions below.

CAUTION

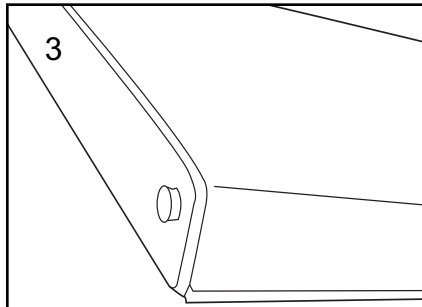
To avoid personal injury to yourself and/or property, we recommend that someone assist you during the door reversal process.



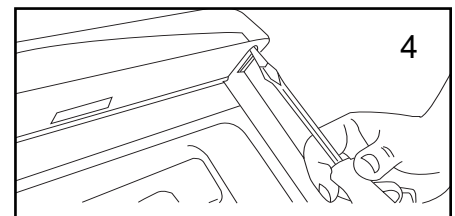
1
Undo the three screws in each bracket using the Phillips screwdriver.



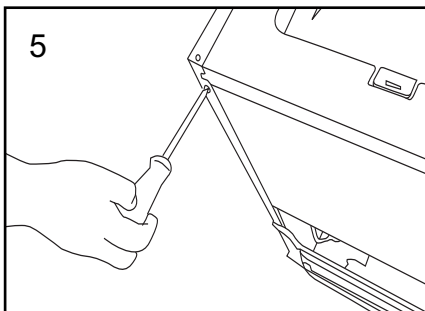
2
Remove the screws and bracket. Place to one side.



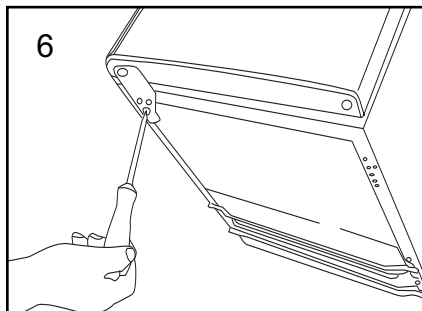
3
Slide the Larder Fridge door down about 15cm (6") and off the top hinge pin and lift away from the freezer.



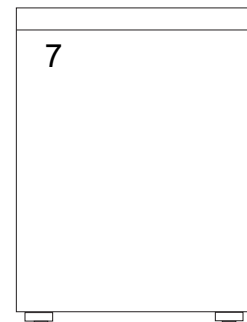
4
Using the flat bladed screw driver remove the pin from the top bracket. Replace it in the hinge bracket on the opposite side.



5
Remove the screw from the side of the Larder Fridge where the bracket is to be re-fitted.



6
Slide the Larder Fridge door back on to the top hinge, making sure it's the right way up. Screw the bottom hinge into place on the new side.



7
Check that the door is aligned horizontally and vertically and that the seals are closed on all sides before finally tightening the bottom hinge. Re-adjust the leveling feet.



Care and Maintenance

CLEANING YOUR BEER DISPENSER

- Turn the temperature control to "OFF", unplug the Beer Dispenser, and remove the contents.
- Wash the inside surfaces with a warm water and baking soda solution. The solution should be about 2 tablespoons of baking soda to a quart of water.
- Wash the shelves and stand with a mild detergent solution.
- Wipe down any electrical controls with a dry cloth.
- Wash the outside cabinet with warm water and mild liquid detergent. Rinse well and wipe dry with a clean soft cloth.

VACATION TIME

- Short vacations: Leave the Beer Dispenser operating during vacations of less than three weeks.
- Long vacations: If the appliance will not be used for several months, remove all contents and unplug the power cord. Clean and dry the interior thoroughly. To prevent odor and mold growth, leave the door open slightly.

MOVING YOUR BEER DISPENSER

- Remove all the contents.
- Securely tape down all loose items inside your Beer Dispenser.
- Tape the door shut.
- Be sure the Beer Dispenser stays secure in the upright position during transportation. Also protect outside of Beer Dispenser with a blanket or similar item.



Troubleshooting

You can solve many common Beer Dispenser problems easily, saving you the cost of a possible service call. Try the suggestions below to see if you can solve the problem before calling the servicer.

PROBLEM	POSSIBLE CAUSE
Beer Dispenser does not operate	Not plugged in. The circuit breaker tripped or blown fuse.
Turns on and off frequently	The room temperature is hotter than normal. The door is open too often. The door is not closed completely. The temperature control is not set correctly. The door gasket does not seal properly. The unit does not have proper clearance.
Vibrations	Check to assure that the Beer Dispenser is level.
The Beer Dispenser seems to make too much noise.	The rattling noise may come from the flow of the refrigerant, which is normal. Gurgling, caused by liquid refrigerant cycling, is normal. Contraction and expansion of the inside walls may cause popping and crackling noises. The Beer Dispenser is not level.
The door will not close properly.	The Beer Dispenser is not level. The door was reversed and not properly installed. The gasket is dirty. The shelves or stand are out of position. The Keg is not properly centered in the unit. The Castors are not attached.



LIMITED IN-HOME APPLIANCE WARRANTY

This quality product is warranted to be free from manufacturer's defects in material and workmanship, provided that the unit is used under the normal operating conditions intended by the manufacturer.

This warranty is available only to the person to whom the unit was originally sold by Danby Products Limited (Canada) or Danby Products Inc. (U.S.A.) (hereafter "Danby") or by an authorized distributor of Danby, and is non-transferable.

TERMS OF WARRANTY

Plastic parts, are warranted for thirty (30) days only from purchase date, with no extensions provided.

First Year During the first twelve (12) months, any functional parts of this product found to be defective, will be repaired or replaced, at warrantor's option, at no charge to the ORIGINAL purchaser.

To obtain Service (at Danby reserves the right to limit the boundaries of "In Home Service" to the proximity of an Authorized Service Depot. Any appliance requiring service outside the limited boundaries of "In Home Service", it will be the consumer's responsibility to transport the appliance their own expense) to the original retailer (point of purchase) or a service depot for repair. See "Boundaries of In Home Service" below. Contact your dealer from whom your unit was purchased, or contact your nearest authorized Danby service depot, where service must be performed by a qualified service technician.

If service is performed on the units by anyone other than an authorized service depot, or the unit is used for commercial application, all obligations of Danby under this warranty shall be void.

Boundaries of In Home Service If the appliance is installed in a location that is 100 kilometers (62 miles) or more from the nearest service center your unit must be delivered to the nearest authorized Danby Service Depot, as service must only be performed by a technician qualified and certified for warranty service by Danby. Transportation charges to and from the service location are not protected by this warranty and are the responsibility of the purchaser.

Nothing within this warranty shall imply that Danby will be responsible or liable for any spoilage or damage to food or other contents of this appliance, whether due to any defect of the appliance, or its use, whether proper or improper.

EXCLUSIONS

Save as herein provided, Danby, there are no other warranties, conditions, representations or guarantees, express or implied, made or intended by Danby or its authorized distributors and all other warranties, conditions, representations or guarantees, including any warranties, conditions, representations or guarantees under any Sale of Goods Act or like legislation or statute is hereby expressly excluded. Save as herein provided, Danby shall not be responsible for any damages to persons or property, including the unit itself, howsoever caused or any consequential damages arising from the malfunction of the unit and by the purchase of the unit, the purchaser does hereby agree to indemnify and hold harmless Danby from any claim for damages to persons or property caused by the unit.

GENERAL PROVISIONS

No warranty or insurance herein contained or set out shall apply when damage or repair is caused by any of the following:

- 1) Power failure.
- 2) Damage in transit or when moving the appliance.
- 3) Improper power supply such as low voltage, defective house wiring or inadequate fuses.
- 4) Accident, alteration, abuse or misuse of the appliance such as inadequate air circulation in the room or abnormal operating conditions (extremely high or low room temperature).
- 5) Use for commercial or industrial purposes (ie. If the appliance is not installed in a domestic residence).
- 6) Fire, water damage, theft, war, riot, hostility, acts of God such as hurricanes, floods etc.
- 7) Service calls resulting in customer education.
- 8) Improper Installation (ie. Building-in of a free standing appliance or using an appliance outdoors that is not approved for outdoor application).

Proof of purchase date will be required for warranty claims; so, please retain bills of sale. In the event warranty service is required, present this document to our AUTHORIZED SERVICE DEPOT.

Warranty Service
In-home

Danby Products Limited
PO Box 1778, Guelph, Ontario, Canada N1H 6Z9
Telephone: (519) 837-0920 FAX: (519) 837-0449

1-800-263-2629

Danby Products Inc.
PO Box 669, Findlay, Ohio, U.S.A. 45840
Telephone: (419) 425-8627 FAX: (419) 425-8629

Bienvenue

Bienvenue dans la famille Danby. Nous sommes fiers de nos produits de qualité et croyons au bien fondé de fournir une assistance fiable à nos clients. Vous le découvrirez grâce à ce guide facile d'utilisation et vous pourrez l'entendre en provenance des voix amicales de notre service d'assistance à la clientèle.

Mais, ce qui est encore mieux, vous pourrez bénéficier de ces valeurs à chaque utilisation de votre appareil. Ceci est important parce que votre nouvel appareil fera partie de votre famille pour longtemps.

Numéro de modèle : _____

Numéro de série : _____

Date d'achat : _____

Besoin d'aide?

Voici quelques petites choses que vous pouvez effectuer avant de faire un appel de service, pour nous aider à mieux vous servir:

Lisez ce guide :

Il comprend des instructions pour vous assister avec l'utilisation et l'entretien adéquats de votre refroidisseur de boissons.

Si votre appareil neuf esta varié :

Communiquez immédiatement avec le revendeur (ou le fabricant).

Épargnez temps et argent :

Avant de faire un appel de service, résoudre le chapitre intitulé "Dépannage". Ce chapitre vous aidera à résoudre des problèmes communs qui pourraient survenir. Si vous avez besoin de notre aide, vous pouvez être assuré que nous serons au bout du fil.



Tel: 1-800-26-**Danby**
(1-800-263-2629)



Consignes de sécurité importantes

PRENDRE CONNAISSANCE DE TOUTES LES INFORMATIONS RELATIVES À LA SÉCURITÉ AVANT D'UTILISER LE PRODUIT

Cet appareil doit être mis à la terre. En cas de court-circuit, la mise à la terre réduit les risques de décharge électrique en fournissant un échappatoire au courant électrique. L'appareil est muni d'un cordon électrique comprenant un fil de mise à la terre et une fiche de terre.

CONSIGNES DE MISE À LA TERRE

- Cet appareil doit être mis à la terre. Dans le cas d'un mauvais fonctionnement ou d'un bris, la mise à la terre réduit le risque de choc électrique en permettant au courant électrique d'emprunter le chemin offrant le moins de résistance.
- Cet appareil est doté d'un cordon d'alimentation avec équipement conducteur de mise à la terre et fiche bipolaire avec terre. La prise doit être branchée dans une prise adéquate, installée et mise à la terre selon la réglementation locale.
- Consultez un électricien qualifié ou un technicien si les directives de mise à la terre ne sont pas entièrement comprises, ou si un doute subsiste quant à la mise à la terre appropriée des prises murales.

AVERTISSEMENT : LE GAZ CARBONIQUE PEUT ÊTRE DANGEREUX!

Les bouteilles de gaz carbonique chargées contiennent du gaz hautement pressurisé, qui peut présenter un danger s'il n'est pas manipulé correctement. Avant l'installation, lisez et assurez-vous de bien comprendre les procédures suivantes concernant les bouteilles de gaz carbonique:

AVERTISSEMENT

S'il est difficile de respirer ou si un mal de tête vous prend, il est possible que des concentrations anormales de gaz carbonique se trouvent dans la pièce...

FERMEZ LA VALVE PRINCIPALE DE LA BOUTEILLE DE GAZ CARBONIQUE, AÉREZ LA PIÈCE ET QUITTEZ-LA IMMÉDIATEMENT!

1. Branchez toujours la bouteille de gaz carbonique à un régulateur. Sans quoi, l'ouverture de la valve de la bouteille pourrait causer une explosion qui risque d'entraîner la mort ou des blessures.
 2. Ne branchez jamais la bouteille de gaz carbonique directement sur le fût de bière.
 3. Fixez toujours la bouteille de gaz carbonique en position verticale.
 4. Gardez toujours la bouteille de gaz carbonique à l'abri de la chaleur.
 5. Ne laissez jamais tomber et ne lancez jamais une bouteille de gaz carbonique.
 6. Avant de l'installer, vérifiez toujours la date d'essai du D.O.T. (Ministère des transports), située sur le col de la bouteille. Si l'essai a eu lieu il y a plus de cinq (5) ans, retournez la bouteille de gaz à votre fournisseur.
 7. Ne branchez jamais une bouteille dont le mécanisme de pression ne présente pas deux (2) mécanismes de sécurité :
 - (a) un au niveau du régulateur de gaz carbonique;
 - (b) un au niveau du coupleur de la bouteille, sur la conduite de pression du gaz.
 8. Les bouteilles de gaz carbonique doivent être rangées préférablement dans les pièces les plus froides de l'établissement, à 70° F (21° C). Elles doivent toujours être fixées en position verticale.
 9. Aérez toujours la pièce après une fuite de gaz carbonique.
- Le régulateur et le coupleur de fût compris avec cet appareil constituent de tels mécanismes de sécurité.*



Consignes de sécurité importantes

CONSIGNES DE SÉCURITÉ

- Cet appareil doit être branché à une prise électrique correctement mise à la terre (voir Instructions de mise à la terre)
- N'utilisez pas cet appareil si son cordon ou sa fiche sont endommagés.
- N'utilisez pas ce produit près d'une source d'eau, tel un sous-sol humide, une piscine ou un évier.
- Ne faites pas dégeler cet appareil à l'aide d'autres appareils électriques (ex. : séchoir à cheveux) et ne grattez jamais la glace ou le givre de l'évaporateur (plaque froide) à l'aide d'un objet coupant.
- Débranchez toujours l'appareil de la prise d'alimentation avant de le nettoyer ou de tenter de le réparer.

AVERTISSEMENT

Toute réparation doit être effectuée par le personnel qualifié seulement.

N'ATTENDEZ PAS : FAITES-LE IMMÉDIATEMENT!

Une mauvaise mise aux rebuts d'appareils usés constitue un risque de piège pour les enfants.

- Si vous avez acheté cet appareil afin d'en remplacer un vieux, retirez les joints, verrous, couvercles ou les portes de l'appareil non utilisé. S'il était équipé d'un verrou ne pouvant être ouvert de l'intérieur (boulon de blocage), assurez-vous que le verrou est retiré, mis hors service ou détruit avant la mise aux rebuts. Ceci empêchera les enfants de s'enfermer accidentellement dans l'appareil et d'y étouffer.
- Le système de refroidissement de cet appareil est rempli de substances réfrigérantes et isolantes devant être traitées séparément. Appelez votre représentant de service ou un centre d'entretien spécialisé. Si vous êtes incapable d'en trouver un, contactez votre autorité locale afin d'obtenir les directives de mise aux rebuts appropriée. Prenez soin de ne pas endommager les lignes de réfrigération de l'appareil.

AVIS IMPORTANT

La bière est facile d'accès avec la nouvelle glacière de bière pression de Danby. La glacière n'est cependant pas conçue pour offrir de la bière aux personnes n'ayant pas l'âge légal pour consommer. Un jeu de verrouillage du robinet permettant de restreindre l'accès à la bière est disponible et peut être acheté auprès de notre service des ventes (voir Accessoires facultatifs). Danby n'est pas responsable de la consommation ou utilisation illégales de la bière.

RAPPELEZ-VOUS : LA MODÉRATION A BIEN MEILLEUR GOÛT! LE VOLANT ET L'ALCOOL NE FONT PAS BON MÉNAGE!



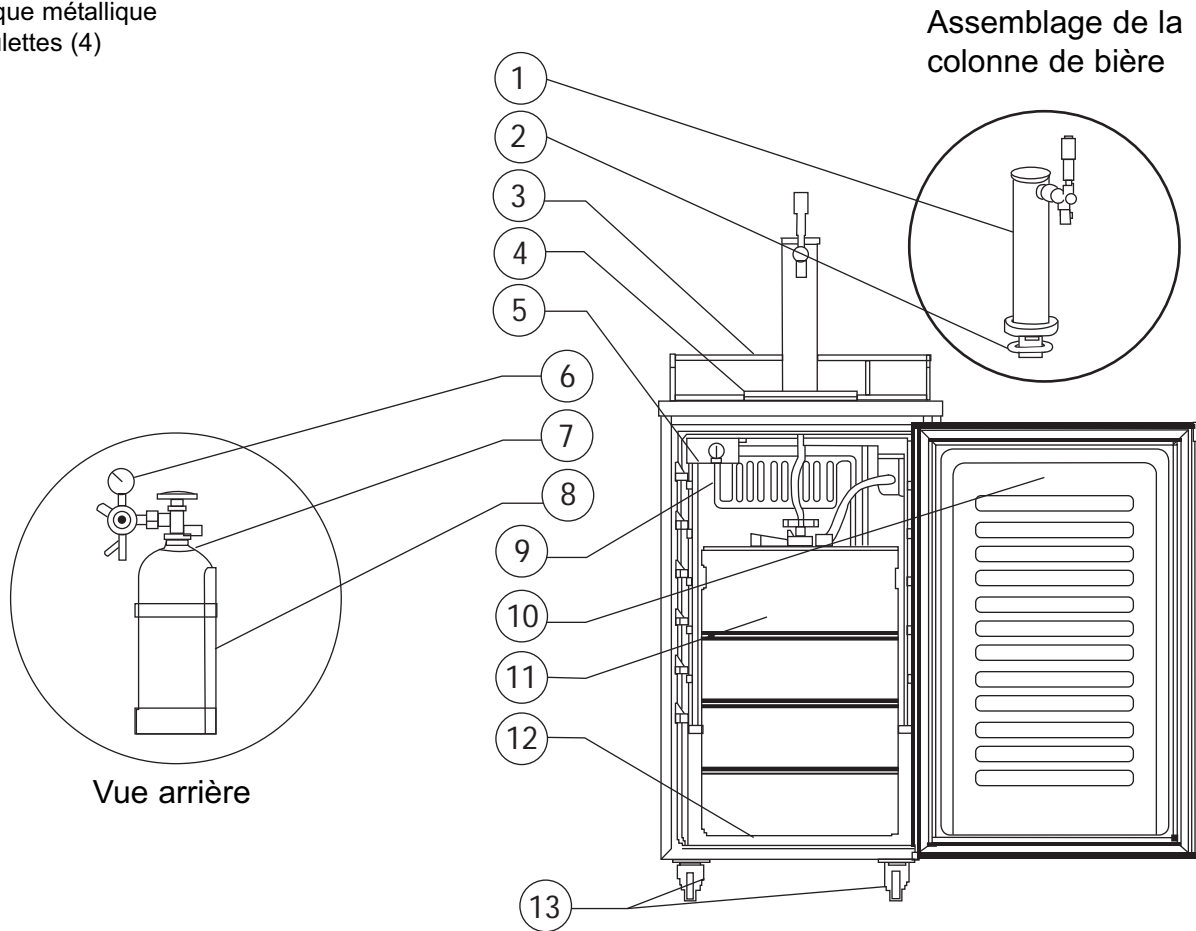
Caractéristiques

ACCESSOIRES DE LA GLACIÈRE

ACCESSOIRES FOURNIS

Enlevez et inspectez tous les accessoires fournis avec cet appareil pour vous assurer qu'ils sont présents et en bon état. Si certains accessoires manquent ou ne sont pas en bon état, veuillez appeler Danby au numéro SANS FRAIS indiqué ci-dessous pour parler à l'un de nos représentants du service à la clientèle. **(1-800-263-2629)**

1. Colonne de bière
2. Joint en plastique
3. Barre de retenue
4. Plateau perforé
5. Thermostat réglable
6. Régulateur de CO2
7. Bouteille de CO2 gazeux
8. Support de la bouteille de CO2 gazeux
9. Évaporateur
10. Porte réversible
11. Baril à bière (non fourni)
12. Plaque métallique
13. Roulettes (4)





Instructions d'installation

AVANT D'UTILISER VOTRE DISTRIBUTEUR DE BIÈRE

- Enlevez l'emballage extérieur et intérieur.
- Assurez-vous que vous avez en main toutes les pièces suivantes :
 - 1 barre de retenue
 - 1 plateau perforé (2 pièces)
 - 1 support pour bouteille de CO2
 - 1 régulateur de CO2 (boîte)
 - 1 bouteille vide de CO2 (boîte)
 - 1 tuyau de CO2
 - 1 tirant pour le baril à bière (boîte)
 - 1 colonne de bière
 - 1 poignée de tirage (robinet de la colonne de bière)
 - 4 bouchons pour les orifices de la barre de retenue
 - 1 plaque métallique pour le fond du boîtier
 - 2 tablettes en fil d'acier
 - 1 bride de serrage en acier pour le tuyau
 - 4 roulettes
 - Rondelles métalliques
 - 1 Rondelles en caoutchouc
- Avant de brancher la glacière de bière pression, laissez-la en position verticale pendant environ 2 heures. Cela réduira le risque que le système de refroidissement subisse une défaillance causée par la manutention lors du transport.
- Nettoyez la surface intérieure avec de l'eau tiède, au moyen d'un chiffon doux.

INSTALLATION DU DISTRIBUTEUR DE BIÈRE

- Cet appareil est conçu pour être autonome; il ne doit pas être encastré.
- Placez votre distributeur de bière sur un sol suffisamment solide pour le supporter lorsqu'il est plein.
- Laissez un espace libre de 3 pouces autour du distributeur de bière (à l'arrière et sur les côtés), ce qui permet à l'air de circuler suffisamment pour refroidir le compresseur.
- Installez le distributeur de bière loin des rayons directs du soleil et de toute source de chaleur (four, appareil de chauffage, radiateur, etc.). Les rayons directs du soleil affectent le revêtement acrylique et les sources de chaleur peuvent augmenter la consommation électrique. Les températures extrêmement basses peuvent également causer un mauvais fonctionnement du distributeur de bière. Cet appareil n'est pas conçu pour être utilisé à l'extérieur (p. ex., garage, porche, etc.).
- Évitez d'installer le distributeur de bière à un endroit où l'humidité est excessive.
- Branchez le distributeur de bière sur une prise murale exclusive, installée correctement et avec mise à la terre. Sous aucun prétexte, vous ne devez couper ou enlever la troisième broche (mise à la terre) de la fiche du cordon électrique. Pour toute question relative à l'alimentation ou à la mise à la terre, faites appel à un électricien qualifié ou à un centre de service autorisé.
- Après avoir branché l'appareil sur une prise murale, laissez l'appareil refroidir pendant 2 à 3 heures avant de placer quoi que ce soit dans le compartiment du distributeur de bière.

RACCORDEMENT ÉLECTRIQUE

AVERTISSEMENT

Une utilisation incorrecte de la fiche mise à la terre peut entraîner un risque de choc électrique. Si le cordon d'alimentation est endommagé, faites-le remplacer par un centre de service autorisé.

Pour votre sécurité, ce distributeur de bière doit être mis à la terre convenablement. Le cordon d'alimentation de ce distributeur de bière est équipé d'une fiche à trois broches qui s'insère dans les prises murales standard à trois alvéoles afin de minimiser la possibilité de choc électrique.

Sous aucun prétexte, vous ne devez couper ou enlever la troisième broche (mise à la terre) de la fiche du cordon électrique.

L'utilisation de rallonges n'est pas recommandée.



Instructions d'installation

RACCORDEMENT ÉLECTRIQUE (suite)

Ce distributeur de bière nécessite une prise électrique standard de 115/120 volts, 60 Hz, à trois alvéoles et avec mise à la terre. Pour éviter les blessures accidentelles, le cordon doit être fixé derrière le distributeur de bière et ne doit ni pendre ni rester exposé.

Ne débranchez jamais le distributeur de bière en tirant sur le cordon d'alimentation. Tenez toujours la fiche fermement et tirez droit pour la retirer de la prise.

AVERTISSEMENT

LE CO2 GAZEUX PEUT ÊTRE DANGEREUX

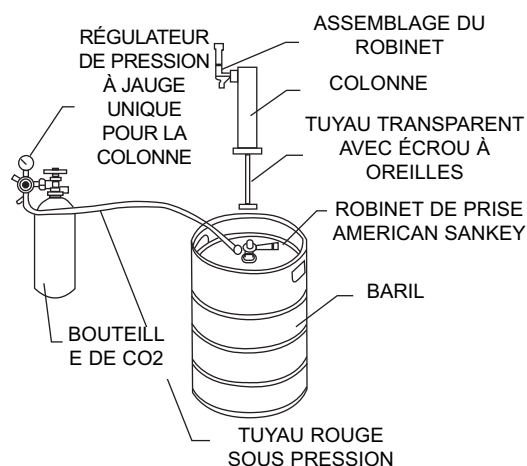
Les bouteilles de CO2 contiennent du gaz comprimé à haute pression qui peut être dangereux s'il n'est pas manipulé correctement. Assurez-vous de LIRE et de COMPRENDRE les procédures suivantes relatives aux bouteilles de CO2 AVANT L'INSTALLATION.

1. **TOUJOURS** brancher la bouteille de CO2 à un régulateur. Si cela n'est pas fait, une explosion pouvant causer des blessures pourrait avoir lieu lorsque le robinet de la bouteille est ouvert.
2. **NE JAMAIS** brancher la bouteille de CO2 directement au contenant de produit.
3. **TOUJOURS** suivre les procédures correctes lors du remplacement des bouteilles. Selon les codes locaux.
4. **TOUJOURS** fixer la bouteille de CO2 en position verticale.
5. **NE JAMAIS** laisser tomber ou lancer une bouteille de CO2.
6. **TOUJOURS** tenir les bouteilles de CO2 à l'écart de la chaleur. Rangez les bouteilles supplémentaires dans un endroit frais (préférentiellement à 70 °F). Fixez-les solidement en position verticale au moyen d'une chaîne lorsque vous les rangez.
7. **TOUJOURS** ventiler l'aire et la quitter immédiatement en cas de fuite de CO2.
8. **TOUJOURS** vérifier la date de test du D.O.T. qui se trouve sur le col de la bouteille avant l'installation. Si cette date remonte à plus de cinq (5) ans, n'utilisez pas la bouteille et rapportez-la au fournisseur de gaz.
9. **NE JAMAIS brancher le baril de bière sans avoir assuré la sécuriter sur la soupape de pression.**
 - a. Un sur le régulateur de CO2
 - b. L'autre sur le tirant du produit ou dans la conduite de gaz sous pression.



Notice d'installation du baril à bière

Croquis d'installation du baril



- Installez les quatre roulettes, 2 roulettes de blocage à l'avant (quatre trous à vis prépercés). Figure (1) : avant l'installation. Figure (II) : version finale. Mettre les rondelles métalliques fournis sur les roulettes avant de les installer.

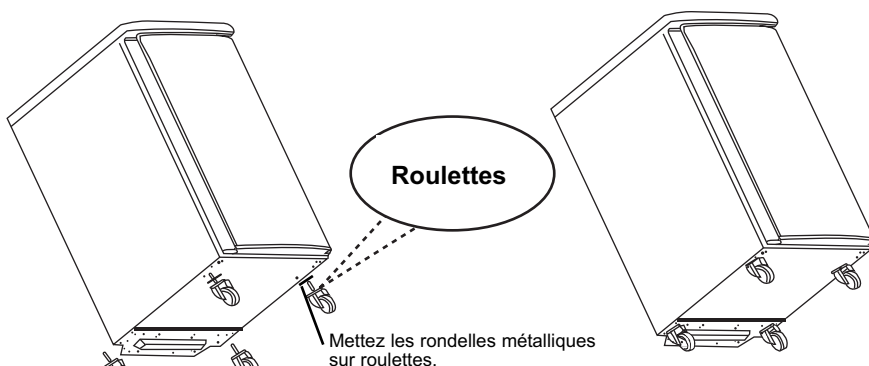


Figure 1

Figure 2



Notice d'installation du baril à bière

GUIDE DE FREINAGE DES ROULETTES



INSTALLATION DU SUPPORT DE LA BOUTEILLE DE CO2

- Installez le support métallique fourni sur les 4 goujons qui se trouvent sur la paroi arrière extérieure. Alignez les orifices du support avec les goujons et appuyez fermement vers le bas. **(Se reporter à la figure 1).**

INSTALLATION DE LA BOUTEILLE DE CO2

- La bouteille de CO2 fournie n'est pas remplie. La bouteille doit être remplie de CO2 avant l'utilisation.
- Installez votre bouteille complètement remplie dans son support.

INSTALLATION DU RÉGULATEUR DE CO2

- Fixez le régulateur de CO2 à la bouteille en vissant l'écrou du régulateur sur le robinet de la bouteille, en vous assurant que la rondelle est bien insérée dans l'écrou de raccordement. Serrez complètement au moyen d'une clé ajustable (non fournie) et assurez-vous qu'il n'y a aucune fuite - pas aucun bruit de sifflement **(Se reporter à la figure 2).**

INSTALLATION DU TUYAU DE CO2 À L'EXTÉRIEUR DU BOÎTIER

- Enlevez le bouchon qui se trouve à l'arrière, à l'extérieur (coin supérieur gauche).
- Conservez-le pour utilisation future, au cas où vous décideriez de convertir l'appareil en réfrigérateur.
- Insérez l'extrémité ouverte du tuyau dans le boîtier en passant par l'orifice découvert. **(Se reporter à la figure 4).**

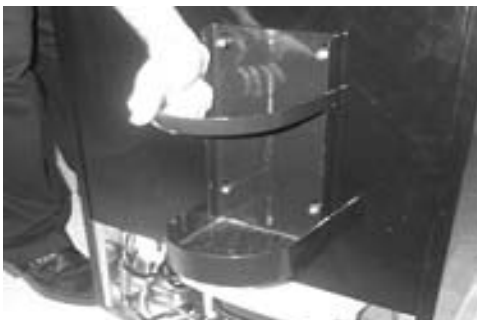


Figure 1



Figure 2



Figure 3



Notice d'installation du baril à bière

FIXATION DU TUYAU DE CO2 AU RÉGULATEUR

- Fixez l'extrémité ouverte du tuyau au raccord à barbelures qui se trouve sur le régulateur.
- Fixez le tuyau au moyen d'une bride de serrage fournie. Utilisez des pinces ou un tournevis pour serrer la bride afin d'éviter les fuites. **(Se reporter à la figure 3).**

INSTALLATION DE LA COLONNE DE BIÈRE

- Enlevez le bouchon supérieur en le tournant et en tirant dessus et conservez-le pour utilisation future, au cas où vous décideriez de convertir l'appareil en réfrigérateur.
- Déroulez la conduite de bière (tuyau transparent) qui se trouve autour de la colonne et insérez la conduite de bière et l'écrou à oreilles en passant par l'orifice découvert sur le dessus.
- Verrouillez l'assemblage de la colonne de bière sur le dessus et assurez-vous de positionner le robinet de bière de façon à ce qu'il soit aligné avec le devant du boîtier (en position 6 heures).
- Le joint en plastique (n° 2 dans la nomenclature des pièces) peut être utilisé pour resserrer le raccord entre la colonne et la glacière, au besoin. Si la colonne de bière ne peut être tournée pour le verrouillage, essayez d'enlever le joint en plastique.

INSTALLATION DE LA PLAQUE MÉTALLIQUE PROTECTRICE

- La plaque doit toujours être installée lorsque le baril est en place afin de ne pas endommager le fond du boîtier inutilement.

INSTALLATION DU BARIL À BIÈRE

- Positionnez le baril à bière directement devant la porte ouverte. Soulevez doucement le baril à bière par les poignées uniquement. **(Se reporter à la figure 5).**
- Pour placer le baril à bière dans le boîtier, appuyez les genoux derrière le baril à bière. Soulevez le devant du baril juste assez pour que le bord avant du baril repose sur le bord avant du boîtier inférieur du distributeur de bière. **(Se reporter à la figure 6).**
- Prenez les poignées du baril et faites-le glisser jusqu'au fond du boîtier.

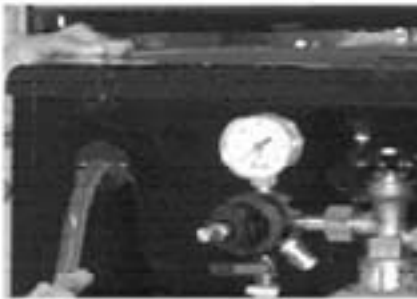


Figure 4



Figure 5



Figure 6

INSTALLATION DU TIRANT DU BARIL

- Insérez le tirant du baril fourni dans le col à verrouillage du baril à bière et tournez-le dans le sens des aiguilles d'une montre pour le verrouiller en place, en vous assurant qu'il est sur la position fermée. **(Se reporter à la figure 7).**



Notice d'installation du baril à bière

INSTALLATION DU TUYAU DE CO2

RACCORDEMENT DE LA COLONNE DE BIÈRE AU TIRANT

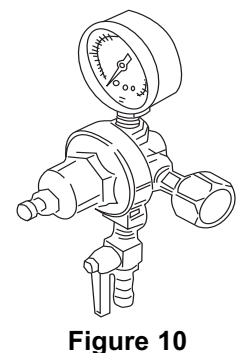
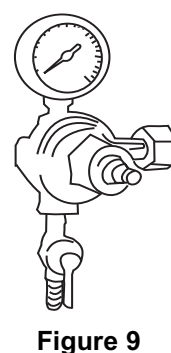
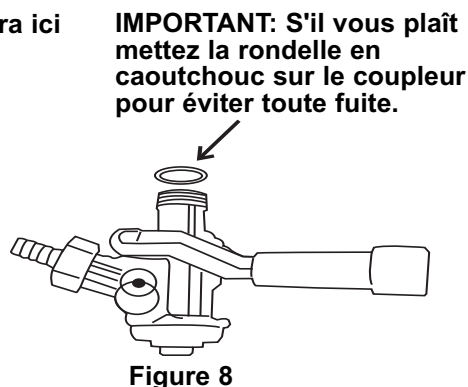
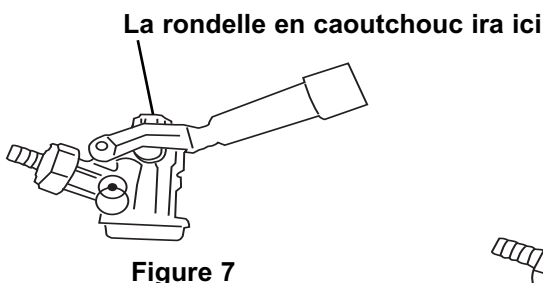
COMMENT PERCER UN BARIL DE BIÈRE

OUVERTURE DU ROBINET PRINCIPAL DE LA BOUTEILLE DE CO2

RÉGLAGE DU RÉGULATEUR DE CO2

- Fixez l'extrémité du tuyau (rouge) fourni au raccord du tuyau qui se trouve sur le tirant du baril.
- Faites certain que les rondelle en caoutchouc sont correctement insérées dans le coupleur, voir figure 7 ci-dessous.
- Assurez-vous que la petite bille ronde est en place (dans le dessus du tirant).
- Assurez-vous que le dispositif de retenue de la bille est en place sur le tirant, avec les « bras » baissés dans le tirant.
- Placez l'écrou à oreilles dans le dessus du tirant et faites tourner jusqu'à ce qu'il soit bien serré.
- Assurez-vous que le robinet de CO2 est fermé et que le robinet secondaire du régulateur est sur la position fermée.
- Tirez sur la soupape de surpression qui se trouve sur le tirant et relâchez-la pour purger toute pression d'air.
- Assurez-vous que le robinet de la colonne de bière est sur la position fermée.
- Tirez sur la poignée de perçage vers l'extérieur et appuyez vers le bas jusqu'à ce qu'elle se verrouille en place. **(Se reporter à la figure 8)**. Le baril est maintenant percé.
- Assurez-vous que le robinet d'arrêt secondaire (illustré en position ouverte dans la figure 9) est fermé. Pour ouvrir le robinet principal de la bouteille de CO2, tournez-le lentement dans le sens contraire des aiguilles d'une montre jusqu'à ce qu'il soit complètement ouvert.
- Vous verrez que l'aiguille de la jauge du régulateur commencera à grimper.

- La jauge surveille la basse pression interne du baril et doit être réglée afin de produire une lecture entre 10 et 12 lb/po². (Se reporter à la figure 10). La pression peut être réglée au besoin.
- Desserrez le contre-écrou de réglage portant la marque 2.
 - Au moyen d'un tournevis à lame plate, tournez la vis du régulateur portant la marque 3.
 - o Pour augmenter la pression, tournez la vis dans le sens des aiguilles d'une montre.
 - o Pour réduire la pression, tournez la vis dans le sens contraire des aiguilles d'une montre.
 - Resserrez le contre-écrou 2.
 - Ouvrez le robinet d'arrêt secondaire pour que le CO2 puisse pénétrer dans le baril.
 - Attendez plusieurs minutes, jusqu'à ce que le baril atteigne la bonne pression. Il est possible que la jauge du régulateur baisse pendant ce processus. (Remarque : écoutez pour déceler tout sifflement le long de toutes les conduites, ce qui permet de trouver les fuites.)





Notice d'installation du baril à bière

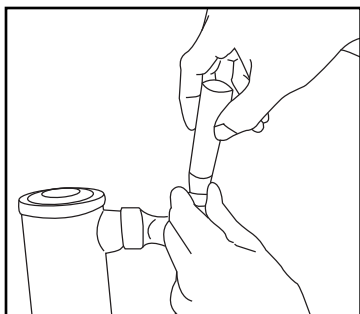
CLÉ POUR RACCORDS DE TUYAUX (Non Fournie)

Une clé pour raccords de tuyaux (non fournie) pour enlever ou serrer les raccords.



LEVIER EN PLASTIQUE

Fixez le levier en plastique noir (poignée de tirage) sur la partie supérieure du robinet en le serrant à la main jusqu'au bout dans le sens des aiguilles d'une montre, en tenant l'écrou argenté situé en-dessous afin qu'il ne tourne pas. Si le robinet dégoutte encore, vous avez peut-être trop serré le levier en plastique; vous devrez peut-être desserrer l'écrou argenté d'un tour dans le sens contraire des aiguilles d'une montre (tel qu'illustré).



COMMENT SERVIR LA BIÈRE

- Gardez le baril à bière toujours froid.
- Ne laissez jamais sécher les conduites de bière.
- Prenez un verre à bière propre avant de verser.
- Tenez le verre à un angle de 45° jusqu'à ce qu'il soit plein aux deux-tiers; commencez alors à redresser le verre tout en continuant à le remplir.
- Assurez-vous de toujours pousser la poignée du robinet complètement vers l'arrière.

Remarque : Formats de barils pouvant être utilisés dans votre distributeur de bière

1/2 baril	59 litres	15,5 gallons	1 984 onces	164 verres de 12 onces
1/4 baril	30 litres	7,8 gallons	992 onces	82 verres de 12 onces
1/6 baril	20 litres	5,2 gallons	661 oz	55 verres de 12 onces
1/8 baril	15 litres	4 gallons	496 onces	41 verres de 12 onces

Remarque : Notre distributeur de bière accepte des barils de format domestique ayant un diamètre maximal de 16-1/8 po et une hauteur maximale de 23-3/8 po. Confirmez avec votre distributeur que le baril a le bon format.



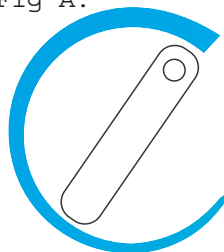
Opération

RÉGLAGE DE LA TEMPÉRATURE

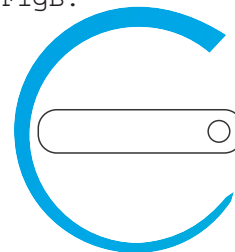
La température est contrôlée en ajustant / Réglage de la commande du thermostat. Pour démarrer l'appareil et assurer un maximum de refroidissement rapide;

- Tournez la commande du thermostat dans la direction des aiguilles d'une montre à la position la plus éloignée (maximum) qui se trouve dans la section (épaisse) blue foncée ure le cadran à échelle. **(Fig A.)**
- Laisser l'unité de fonctionner à ce paramètre pour 3-4 heures.
- Lorsque le refroidissement maximum est atteint, tournez le bouton de contrôle de la température à une température modérée à moyen terme.
- Pour désactiver (pas de refroidissement), tournez le bouton de commande sur le "0" (arrêt). **(Fig.B.)**

Fig A.



FigB.



DÉGIVRAGE AUTOMATIQUE

Il n'est pas nécessaire de dégivrer le distributeur de bière. L'eau s'accumule et coule par la sortie de drainage qui se trouve dans la paroi arrière jusque dans un plateau situé au-dessus du compresseur, où elle s'évapore.

REMARQUE :--Lorsque l'appareil est débranché, le courant coupé ou lorsqu'il est arrêté, vous devez attendre de 3 à 5 minutes avant de le remettre en marche. En cas de tentative de remise en marche avant l'expiration de ce délai, le distributeur de bière ne se remettra pas en marche.

CONVERSION EN RÉFRIGÉRATEUR

1. Tournez le bouton de réglage sur la position ARRÊT (OFF).
2. Fermez le robinet principal de la bouteille de CO2.
3. Fermez le robinet d'arrêt secondaire situé sur le tuyau du régulateur.
4. Fermez le raccord entre le baril à bière et le tirant du baril à bière.
5. Drainez toute la bière qui reste dans les conduites, le cas échéant.
6. Débranchez la conduite de bière et le tuyau de CO2 du tirant du baril.
7. Retirez le baril à bière.
8. Retirez le tirant du baril.
9. Débranchez le tuyau de la bouteille de CO2.
10. Enlevez le tuyau de CO2 du bouchon qui se trouve dans le boîtier.
11. Remettez le bouchon du tuyau dans l'arrière du boîtier.
12. Retirez la colonne de bière. Tirez également sur la conduite de bière par le dessus du boîtier pour la faire sortir.
13. Remettez le bouchon du dessus du boîtier.
14. Réglez la température à la valeur désirée.



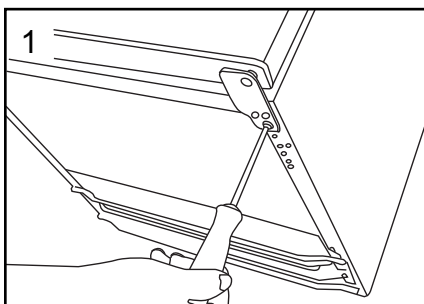
Opération

INVERSION DE LA PORTE

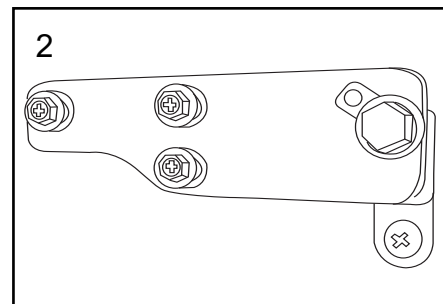
Le distributeur de bière est équipé d'une porte qui peut être réglée pour s'ouvrir du côté droit ou du côté gauche. Lors de la livraison, l'appareil est équipé d'une porte qui s'ouvre du côté gauche. Pour inverser la direction de l'ouverture, suivez les consignes que voici.

MISE EN GARDE

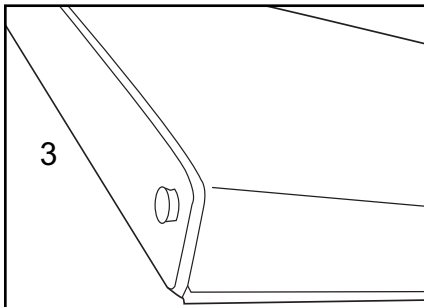
Afin d'éviter de vous blesser ou de causer des dégâts matériels, nous vous recommandons de solliciter l'aide d'autrui lors des manœuvres liées à l'inversion de la porte.



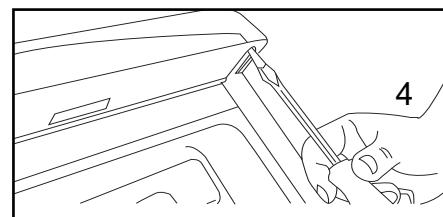
Desserrez les trois vis qui se trouvent dans chaque ferrure d'articulation au moyen du tournevis cruciforme.



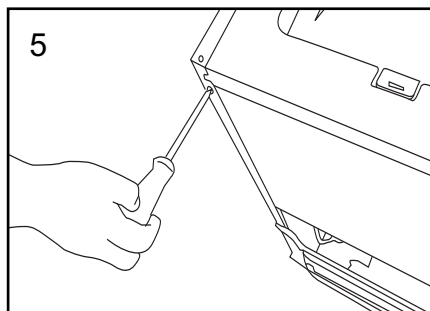
Enlevez les vis et les ferrures d'articulation. Mettez-les de côté.



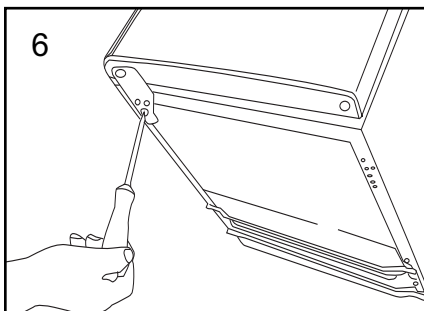
Faites glisser la porte du réfrigérateur garde-manger vers le bas d'environ 15 cm (6 po) pour que l'axe de charnière supérieure sorte; ensuite, soulevez-la pour l'écarter du congélateur.



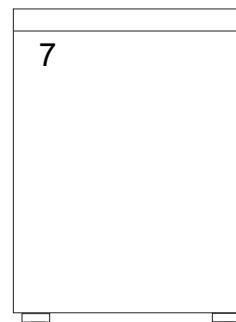
Au moyen du tournevis à lame plate, enlevez l'axe de charnière de la ferrure d'articulation supérieure. Remettez-la en place dans la ferrure d'articulation qui se trouve du côté opposé.



Enlevez la vis qui se trouve sur le côté du réfrigérateur garde-manger, là où la ferrure d'articulation doit être réinstallée.



Remettez la porte du réfrigérateur garde-manger dans la charnière supérieure en l'y glissant, en vous assurant qu'elle a la bonne orientation. Vissez la charnière inférieure en place sur le nouveau côté.



Assurez-vous que la porte est bien alignée horizontalement et verticalement et que les joints d'étanchéité sont fermés sur tous les côtés, avant de serrer définitivement la charnière inférieure. Réajustez les pattes de nivellement.



Soins et entretien

NETTOYAGE DE VOTRE DISTRIBUTEUR DE BIÈRE

- Tournez le bouton de réglage de la température sur la position ARRÊT (OFF), débranchez le distributeur de bière et retirez le contenu.
- Lavez les surfaces internes avec une solution d'eau chaude et de bicarbonate de soude. La solution doit contenir 2 cuillères à soupe de bicarbonate de soude dans un litre d'eau.
- Lavez les étagères et le socle avec une solution de détergent doux.
- Essuyez les commandes électriques avec un chiffon sec.
- Lavez l'extérieur du boîtier avec de l'eau chaude et un détergent liquide doux. Rincez bien et essuyez avec un chiffon doux propre et sec.

PÉRIODE DE VACANCES

- Courtes vacances : laissez le distributeur de bière fonctionner pendant les vacances durant moins de trois semaines.
- Longues vacances : si l'appareil ne doit pas être utilisé pendant plusieurs mois, retirez tout ce qu'il contient et mettez-le hors tension. Nettoyez et asséchez à fond l'intérieur. Pour éviter la formation d'odeurs et la croissance de champignons, laissez la porte entr'ouverte.

DÉPLACEMENT DU DISTRIBUTEUR DE BIÈRE

- Videz tout le contenu.
- Fixez en place les articles détachés dans le distributeur de bière au moyen de ruban adhésif.
- Maintenez la porte fermée avec du ruban adhésif.
- Assurez-vous que le distributeur de bière reste bien en position verticale pendant son transport. Protégez aussi l'extérieur du distributeur de bière avec une couverture ou l'équivalent.



Dépannage

Vous pouvez résoudre facilement de nombreux problèmes communs relatifs au distributeur de bière, ce qui vous permet d'éviter le coût d'un appel de service possible. Essayez les suggestions que vous trouverez ci-dessous pour tenter de résoudre le problème avant d'appeler le centre de service.

PROBLÈME	CAUSE POSSIBLE
Le distributeur de bière ne fonctionne pas.	Appareil débranché. Le disjoncteur s'est déclenché ou le fusible grillé.
Le distributeur de bière est activé et désactivé fréquemment	La température de la pièce est supérieure à la température normale. La porte est trop souvent ouverte. La porte n'est pas complètement fermée. La commande de température n'est pas réglée correctement. Le joint de la porte n'est pas hermétique. Le dégagement autour de l'appareil n'est pas suffisant.
Vibrations	Assurez-vous que le distributeur de bière est bien droit.
Le distributeur de bière semble être trop bruyant.	Le cliquetis peut provenir de l'écoulement du frigorigène, ce qui est normal. Les gargouillements, causés par la circulation du fluide frigorigène, sont des sons normaux. La contraction et la dilatation des parois internes peut provoquer les claquements et craquements. Le distributeur de bière n'est pas bien droit.
La porte ne se ferme pas correctement.	Le distributeur de bière n'est pas bien droit. La porte a été inversée et n'est pas correctement montée. Le joint est sale. Les tablettes ou le socle se sont déplacés. Le baril n'est pas bien centré dans l'appareil. Les roulettes ne sont pas fixées.



GARANTIE LIMITÉE SUR APPAREIL ÉLECTROMÉNAGER À DOMICILE

Cet appareil de qualité est garanti exempt de tout vice de matière première et de fabrication, s'il est utilisé dans les conditions normales recommandées par le fabricant.

Cette garantie n'est offerte qu'à l'acheteur initial de l'appareil vendu par Danby Products Limited (Canada) ou Danby Products Inc. (E.-U. d'A) (ci-après "Danby") ou par l'un des ses distributeurs agréés et elle ne peut être transférée.

CONDITIONS

Les pièces en plastique sont garanties pour trente (30) jours seulement à partir de la date de l'achat, sans aucune prolongation prévue.

Première 12 mois Pendant les douze (12) mois, toutes pièces fonctionnelles de ce produit s'avèrent défectueuses, seront réparées ou remplacées, selon le choix du garant, sans frais à l'acheteur INITIAL.

Pour bénéficier du Service Le client sera responsable pour le transport et tous les frais d'expédition de tout appareil exigeant le service au dépôt de service autorisé le plus proche. S'adresser au détaillant qui a vendu l'appareil, ou à la station technique agréée de service la plus proche, où les réparations doivent être effectuées par un technicien qualifié. Si les réparations sont effectuées par quiconque autre que la station de service agréée ou à des fins commerciales, toutes les obligations de Danby en vertu de cette garantie seront annulées.

Limites de l'entretien à domicile Si l'appareil est installé à plus de 100 kilomètres (62 milles) du centre de service le plus proche, il doit être livré à l'atelier de réparation autorisé par Danby le plus proche, car l'entretien doit uniquement être réalisé par un technicien qualifié et certifié pour effectuer un entretien couvert par la garantie de Danby. Les frais de transport entre votre domicile et le lieu de l'entretien ne sont pas couverts par la présente garantie et doivent être acquittés par l'acheteur.

Cette garantie indique en aucun temps la responsabilité de Danby de l'avarie ou dommage de la vin ou autre contenu, soit par les vices de l'appareil, ou soit par l'utilisation convenable ou inexacte.

EXCLUSIONS

En vertu de la présente, il n'existe aucune autre garantie, condition ou représentation, qu'elle soit exprimée ou tacite, de façon manifeste ou intentionnelle, par Danby ou ses distributeurs agréés. De même, sont exclues toutes les autres garanties, conditions ou représentations, y compris les garanties, conditions ou représentations en vertu de toute loi régissant la vente de produits ou de toute autre législation ou règlement semblables.

En vertu de la présente, Danby ne peut être tenue responsable en cas de blessures corporelles ou des dégâts matériels, y compris à l'appareil, quelle qu'en soit les causes. Danby ne peut pas être tenue responsable des dommages indirects dus au fonctionnement défectueux de l'appareil. En achetant l'appareil, l'acheteur accepte de mettre à couvert et de dégager Danby de toute responsabilité en cas de réclamation pour toute blessure corporelle ou tout dégât matériel causé par cet appareil.

CONDITIONS GÉNÉRALES

La garantie ou assurance ci-dessus ne s'applique pas si les dégâts ou réparations sont dus aux cas suivants:

- 1) Panne de courant.
- 2) Dommages subis pendant le transport ou le déplacement de l'appareil.
- 3) Alimentation électrique incorrecte (tension faible, câblage défectueux, fusibles incorrects).
- 4) Accident, modification, emploi abusif ou incorrect de l'appareil tel qu'une circulation d'air inadéquate dans la pièce ou des conditions de fonctionnement anormales (température extrêmement élevée ou basse).
- 5) Utilisation dans un but commercial ou industriel (à savoir, si l'appareil n'est pas installé dans un domicile résidentiel).
- 6) Incendie, dommages causés par l'eau, vol, guerre, émeute, hostilités, cas de force majeure (ouragan, inondation, etc.).
- 7) Visites d'un technicien pour expliquer le fonctionnement de l'appareil au propriétaire.
- 8) Installation inappropriée (par exemple, encastrement d'un appareil autoportant, ou utilisation extérieure d'un appareil non conçu à cet effet).

Une preuve d'achat doit être présentée pour toute demande de réparation sous garantie. Prière de garder le reçu. Pour faire honorer la garantie, présenter ce document à la station technique agréée ou s'adresser à:

Service sous-garantie
Service au domicile

Danby Products Limited
PO Box 1778, Guelph, Ontario, Canada N1H 6Z9
Telephone: (519) 837-0920 FAX: (519) 837-0449

1-800-263-2629

Danby Products Inc.
PO Box 669, Findlay, Ohio, U.S.A. 45840
Telephone: (419) 425-8627 FAX: (419) 425-8629

Bienvenido

Bienvenido a la familia Danby. Estamos orgullosos de nuestros productos de alta calidad y creemos en el servicio confiable. Usted lo podrá apreciar en este manual fácil de usar, y lo escuchará en las voces amistosas de nuestro departamento de servicio al consumidor.

Sobre todo, usted apreciará estas ventajas cada vez que use su aparato. Eso es importante, ya que su nuevo artefacto formará parte de su familia por mucho tiempo.

Número de modelo: _____
Número de serie: _____
Fecha de la compra: _____

Necesita Ayuda

Antes de solicitar servicio, hay algunas cosas que puede hacer para ayudarnos a servirle mejor...

Lea este manual:

Contiene instrucciones que lo ayudarán a mantener correctamente su heladera para bebidas.

Si usted recibe un artefacto dañado:

Llame inmediatamente al distribuidor (o fabricante) que se lo vendió.

Ahorre tiempo y dinero:

Lea la sección de Diagnóstico de problemas antes de llamar. Esta sección le ayudará a resolver problemas comunes que pudieran ocurrir. Si necesita asistencia, no se preocupe y llámenos.



Tel: 1-800-26-**Danby**
(1-800-263-2629)



Instrucciones de seguridad importantes

LEA TODA LA INFORMACIÓN SOBRE SEGURIDAD ANTES DE UTILIZAR EL EQUIPO

LEA TODAS LAS INSTRUCCIONES DE SEGURIDAD ANTES DE UTILIZARLO

INSTRUCCIONES DE LA CONEXIÓN A TIERRA

- Este artefacto debe ser conectado a tierra. En caso de falla o avería, la conexión a tierra reducirá el riesgo de descarga eléctrica proporcionando un camino de menor resistencia para la corriente eléctrica.
- Este artefacto viene con un cable de alimentación que tiene un conductor y pata del enchufe de tierra. El enchufe debe conectarse a un tomacorriente apropiado que esté instalado y conectado a tierra de acuerdo con las normas y reglamentaciones locales.
- Si no entiende claramente las instrucciones de conexión a tierra, o si no está seguro de que su tomacorriente esté correctamente conectado a tierra, llame a un electricista calificado.

¡CUIDADO, EL GAS CARBÓNICO PUEDE SER PELIGROSO!

Los tanques de gas carbónico llenos contienen gas a alta presión que puede ser peligroso si no se lo trata correctamente. Lea y entienda los siguientes procedimientos para los tanques de gas carbónico antes de instalarlos:

ADVERTENCIA

Si se le hace difícil respirar y/o le empieza a doler la cabeza, puede haber una concentración anormal de gas carbónico (CO₂) en el área...

¡CIERRE LA VÁLVULA GENERAL DEL TANQUE DE GAS CARBÓNICO, VENTILE Y ABANDONE EL AMBIENTE INMEDIATAMENTE!

1. Siempre conecte el tanque de gas carbónico a un regulador. El no hacerlo podría provocar una explosión que podría causar la muerte o herirlo al abrir la válvula del cilindro.
2. Nunca conecte directamente un tanque de gas carbónico al barril de cerveza.
3. Siempre coloque el tanque de gas carbónico en posición "vertical".
4. Mantenga siempre el tanque de gas carbónico lejos del calor.
5. Nunca deje caer o arroje un tanque de gas carbónico.
6. Siempre verifique la fecha de prueba del D.O.T (Departamento de Transporte) del cuello del cilindro antes de instalarlo. Si tiene más de cinco (5) años no lo use, devuélvalo al proveedor de gas.
7. Nunca conecte un contenedor a menos que tenga dos (2) mecanismos de seguridad en el sistema de presión:
 - (a) Uno en el regulador de gas carbónico.
 - (b) Uno en el acople del contenedor de producto, en la línea de gas a presión.
8. Los tanques de gas carbónico deben guardarse en el lugar más frío posible (preferentemente) a 70° F (21° C) y deben estar siempre firmemente sujetos en posición vertical.
9. Siempre ventile el área luego de una pérdida de gas carbónico.

NOTA: El regulador y acople del barril suministrados con esta unidad son aparte de los mecanismos de seguridad antes mencionados.



Instrucciones de seguridad importantes

RECOMENDACIONES DE SEGURIDAD

- Este artefacto debe conectarse a un tomacorriente correctamente conectado a tierra (ver Instrucciones de la conexión a tierra).
- No use este artefacto si el cable de alimentación o el enchufe están dañados.
- No use este producto cerca del agua, por ejemplo: en un sótano húmedo, cerca de una pileta de natación o de un lavabo.
- No descongele este artefacto usando otros artefactos eléctricos (como un secador de cabello) y nunca intente quitar hielo/escarcha del evaporador (placa fría) con objetos filosos.
- Siempre desconecte el artefacto del tomacorriente antes de limpiarlo y/o intentar repararlo.

ADVERTENCIA

Toda reparación debe ser realizada únicamente por personal calificado.

¡NO ESPERE, HAGA ESTO AHORA MISMO!

El desecho inadecuado de artefactos viejos puede representar una trampa para los niños.

- Si usted ha comprado este artefacto para reemplazar uno viejo, quite las juntas, trabas, tapas o puertas de la unidad vieja. Si estaba equipada con una traba de puerta que no puede abrirse desde adentro, asegúrese de quitar, desactivar o destruir la traba antes de desecharla, esto evitará que los niños se encierren accidentalmente dentro del artefacto y se sofoquen.
- El sistema refrigerador de este artefacto está lleno con sustancias refrigerantes y aislantes que deben ser tratadas y procesadas separadamente. Llame a nuestro agente técnico más cercano o centro de servicio especializado. Si no puede localizar ninguno, llame a sus autoridades locales para obtener las instrucciones apropiadas de desecho. Tenga cuidado en no dañar ninguna de las líneas de refrigeración del artefacto.

NOTA IMPORTANTE

La cerveza es fácilmente accesible con el nuevo Refrigerador de Barril de Danby, sin embargo, no es nuestra intención el hacerla disponible para personas menores de edad. Tenemos un juego de traba disponible para limitar el acceso y puede comprarse a través de nuestro departamento de servicio de post venta (vea "Accesorios Opcionales"). Danby no se hace responsable por el consumo o uso ilegal de la cerveza.

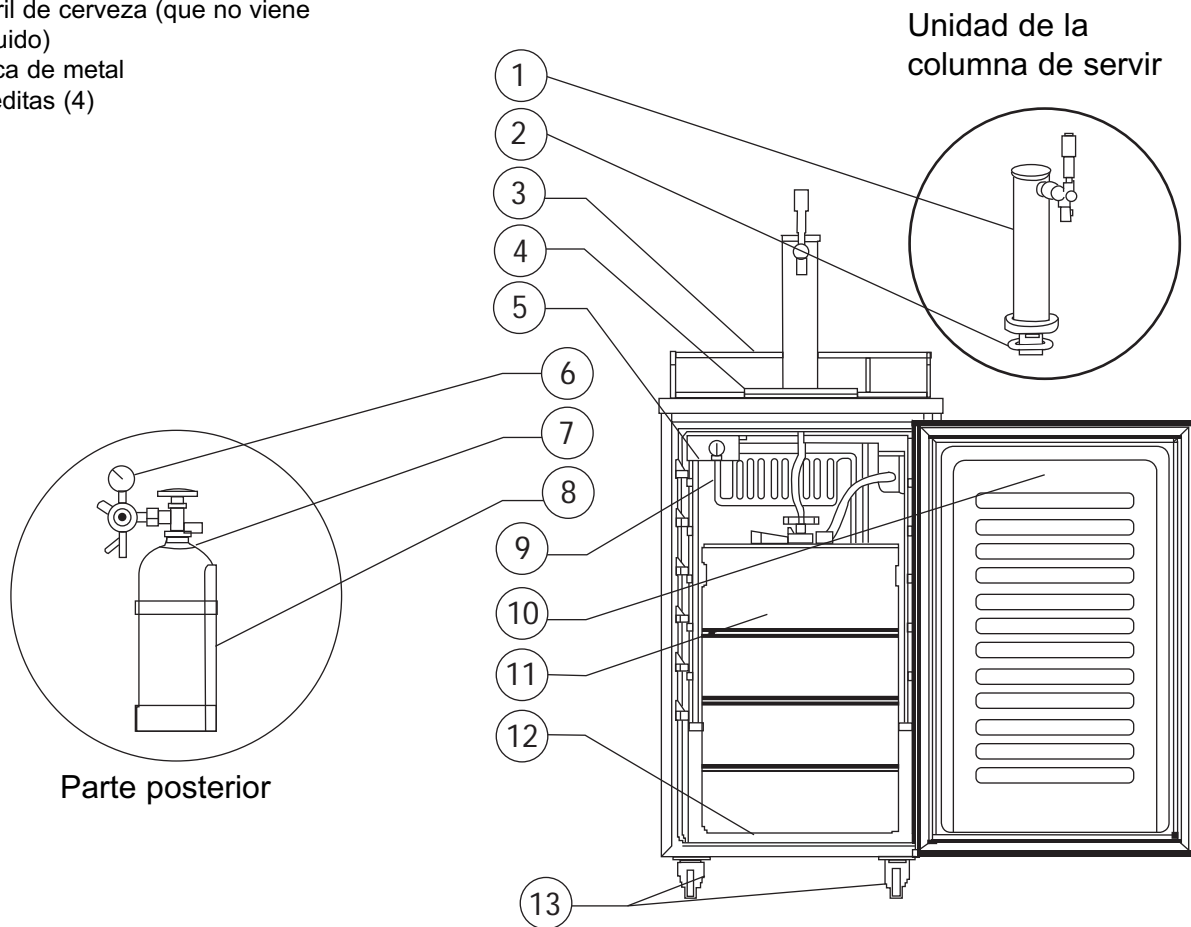
¡POR FAVOR, BEBA CON RESPONSABILIDAD Y NO BEBA Y CONDUZCA!

ACCESORIOS DEL EQUIPO DE ENFRIAR Y SERVIR

ACCESORIOS QUE VIENEN CON EL EQUIPO

1. Columna de servir
2. Empaquetadura de plástico
3. Barandilla
4. Placa perforada
5. Termostato regulable
6. Regulador de gas carbónico
7. Tanque de gas carbónico
8. Soporte para el tanque de gas carbónico
9. Evaporador
10. Puerta invertible
11. Barril de cerveza (que no viene incluido)
12. Placa de metal
13. Rueditas (4)

Retire y examine todos los accesorios que vienen con esta unidad para verificar su condición. En caso de que falte algún accesorio, o no esté en buen estado, llame a Danby a la siguiente línea gratuita para hablar con uno de nuestros representantes de servicio al cliente. **(1-800-263-2629)**





Instrucciones instalación

ANTES DE USAR SU EQUIPO PARA SERVIR CERVEZA

- Retire el empaque de la parte exterior e interior.
- Verifique que tenga todas las piezas:
 - 1 barandilla
 - 1 placa perforada (2 partes)
 - 1 soporte para el tanque de gas
 - 1 regulador de gas carbónico (caja)
 - 1 tanque de gas carbónico vacío (caja)
 - 1 manguera neumática de gas carbónico
 - 1 mecanismo acoplador para el barril (caja)
 - 1 columna de servir
 - 1 palanca con mango (grifo de la columna de servir)
 - 4 tapones para los orificios de la barandilla
 - 1 placa de metal para el fondo del mueble
 - 2 repisas de alambre de acero
 - 1 abrazadera de acero para la manguera
 - 4 Rueditas
 - Arandelas de metal
 - 1 Arandela de goma
- Antes de conectar el equipo, déjelo en posición vertical durante unas dos horas. Esto disminuirá la posibilidad de mal funcionamiento del sistema de enfriamiento debido a su manipulación durante el transporte.
- Limpie la superficie interior con agua tibia y un paño suave.

INSTALACIÓN DEL EQUIPO PARA SERVIR CERVEZA

- Este aparato ha sido diseñado como equipo autónomo y no debe instalarse empotrado.
- Coloque el equipo para servir cerveza en un piso suficientemente resistente, que pueda soportar su peso cuando esté cargada a plena capacidad.
- Deje un espacio libre de tres pulgadas entre los tres lados del equipo y las paredes, de manera que el aire circule libremente para enfriar el compresor.
- Ubique el equipo para servir cerveza donde no reciba la luz directa del sol y lejos de fuentes de calor (como hornos, calentadores, radiadores, etc.). La acción directa de los rayos del sol puede dañar el revestimiento de pintura acrílica y las fuentes de calor pueden aumentar el consumo de electricidad. Las temperaturas sumamente frías también pueden provocar el mal funcionamiento del equipo. Este equipo no ha sido diseñado para instalarlo en exteriores (como garajes, porches, etc.)
- Evite instalarlo en un lugar donde haya demasiada humedad.
- Enchufe el equipo en un tomacorriente de uso exclusivo debidamente conectado a tierra. Nunca, bajo ninguna circunstancia, corte o quite la tercera pata (de puesta a tierra) del enchufe del cordón eléctrico. Consulte todas sus dudas sobre la instalación eléctrica y la puesta a tierra con un electricista calificado o el personal de un centro de servicios autorizado.
- Después de conectar el equipo al tomacorriente, deje que la unidad se enfríe durante unas dos o tres horas antes de colocar nada en el compartimiento del equipo.

CONEXIÓN ELÉCTRICA

ADVERTENCIA:

El empleo indebido del enchufe con pata de puesta a tierra puede producir descargas eléctricas. Si el cordón eléctrico está dañado, hágalo cambiar en un centro de servicios autorizado.

Por su propia seguridad, el equipo debe estar debidamente conectado a tierra. A fin de evitar descargas eléctricas, el cordón eléctrico de este equipo trae un enchufe de tres patas que se puede conectar a cualquier tomacorriente normal para enchufes de tres patas.

Nunca, bajo ninguna circunstancia, corte o quite la tercera pata (de puesta a tierra) del enchufe del cordón eléctrico.

Le recomendamos que no emplee cordones de prolongación.



Instrucciones instalación

CONEXIÓN ELÉCTRICA (continuación)

Este equipo ha sido diseñado para conectarlo a un tomacorriente normal de 115/120 voltios, 60 hercios, con pata de puesta a tierra. Para evitar lesiones accidentales, el cordón debe quedar fijado detrás del equipo, y no debe quedar expuesto ni colgando.

Nunca desenchufe el equipo tirando del cordón. Siempre, para sacarlo del tomacorriente, agarre firmemente el enchufe y tire directamente de él.

ADVERTENCIA:

EL GAS CARBÓNICO PUEDE SER PELIGROSO

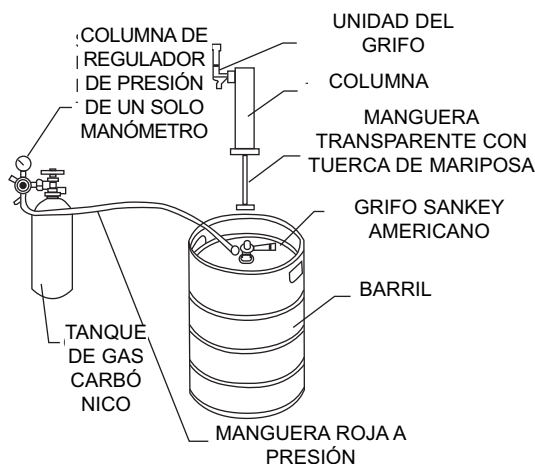
Los tanques de gas carbónico contienen gas comprimido a alta presión que puede ser peligroso si no se maneja adecuadamente. Recuerde que, **ANTES DE INSTALARLO**, debe **LEER** y **COMPRENDER** los siguientes procedimientos para la instalación del tanque de gas carbónico.

1. **SIEMPRE** conecte el tanque a un regulador. De lo contrario, al abrir la válvula del tanque, se puede producir una explosión que le cause lesiones.
2. **NUNCA** conecte el tanque directamente al barril de cerveza.
3. **SIEMPRE** Siga el procedimiento adecuado para cambiar el tanque. de acuerdo con los códigos locales.
4. **SIEMPRE** instale el tanque en posición vertical.
5. **NUNCA** deje caer ni tire el tanque.
6. **SIEMPRE** coloque los tanques de gas carbónico en lugares alejados del calor. Guarde los tanques de repuesto en lugares frescos (de preferencia a una temperatura ambiente de 70° F). Para guardarlos, sujételos en posición vertical con una cadena.
7. **SIEMPRE** ventile si ocurre una fuga de gas carbónico, y salga inmediatamente del lugar.
8. **SIEMPRE** antes de instalarlo, mire en el cuello del tanque la fecha de la prueba realizada por el Ministerio de Transportes. Si han transcurrido ya más de cinco (5) años, no lo instale y devuélvalo al proveedor de gas.
9. **NUNCA** conecte un barril sin haber liberado la presión con la válvula de seguridad.
 - a. Uno en o sobre el regulador de gas
 - b. Uno en o sobre el mecanismo acoplador o en la tubería de gas a presión.

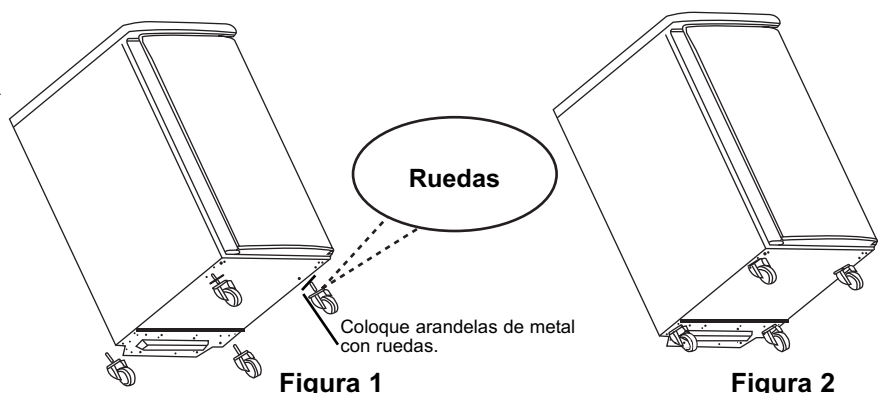


Instrucciones para la instalación del barril de cerveza

Esquema de la instalación del barril



- Instale las cuatro ruedas (2 ruedas de bloqueo en la parte delantera) que vienen con la unidad, en los orificios ubicados en la parte inferior del unidad. Figura (1): antes de la instalación. Figura (2): después de la instalación. Ponga las arandelas metálicas en los rodines antes de instalarlos





Instrucciones para la instalación del barril de cerveza

GUÍA DE USO DE LAS RUEDAS CON FRENO



PISE PARA APLICAR EL FRENO



PISE PARA SOLTAR EL FRENO

INSTALACIÓN DEL SOPORTE PARA EL TANQUE DE GAS

- Instale el soporte que viene con el equipo en los cuatro pernos ubicados en la parte exterior del lado trasero. Alinee los orificios del soporte con los pernos y empújelo firmemente hacia abajo. **(Vea la fig. 1)**

INSTALACIÓN DEL TANQUE DE GAS

- El tanque de gas no viene lleno. Antes de instalarlo, debe ser llenado con gas carbónico.
- Una vez lleno, instálelo en el soporte.

INSTALACIÓN DEL REGULADOR DE GAS CARBÓNICO

- Para esto, enrosque la tuerca de conexión del regulador en la válvula del tanque; verifique primero que arandela esté bien colocada en la tuerca. Apriétela bien con una llave regulable (que no viene con el equipo), y verifique que la conexión no tengas fugas - no silbido. **(Vea la fig. 2)**

INSTALACIÓN DE LA TUBERÍA NEUMÁTICA DE GAS CARBÓNICO EN LA PARTE EXTERIOR DEL MUEBLE

- Retire el tapón ubicado en la esquina superior izquierda de la parte exterior del lado trasero.
- Guárdelo para volver a colocarlo si usted decide convertir la unidad en un refrigerador.
- Introduzca en el mueble el extremo abierto de la tubería neumática por el orificio que ha destapado. **(Vea la fig. 4)**

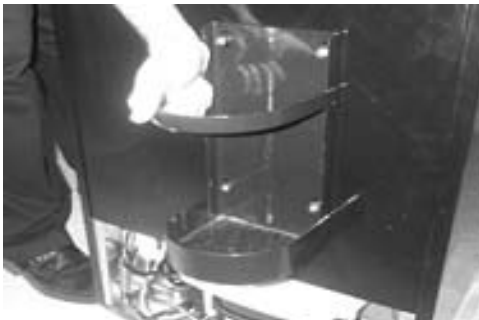


Figura 1



Figura 2



Figura 3



Instrucciones para la instalación del barril de cerveza

INSTALACIÓN DE LA MANGUERA NEUMÁTICA DE GAS CARBÓNICO EN EL REGULADOR

- Conecte el extremo abierto de la manguera al conector macho dentado del regulador
- Fije la manguera con la abrazadera que viene con el equipo. Para evitar fugas, apriete la abrazadera con alicates/un destornillador. **(Vea la fig. 3)**

INSTALACIÓN DE LA COLUMNA DE SERVIR

- Gire y tire del tapón superior para sacarlo, y guárdelo para volver a colocarlo si usted decide convertir la unidad en un refrigerador.
- Desenrolle la tubería para la cerveza (la manguera transparente) de la columna e introduzca el extremo con la tuerca de mariposa por el orificio ubicado en la parte superior.
- Instale la unidad de la columna de servir en la parte superior; ubique el grifo para la cerveza de manera que quede alineado con la parte delantera del mueble (en la posición de las 6.00 horas).
- Si es necesario, puede colocar la empaquetadura de plástico (artículo No. 2 en la lista de piezas) en la conexión entre la columna y el enfriador. Si la columna de servir no gira hasta quedar trabada en su lugar, retire la empaquetadura de plástico y vuelva a intentarlo.

INSTALACIÓN DE LA PLACA PROTECTORA DE METAL

- Esta placa debe instalarse siempre que el barril esté en su lugar, para proteger el piso del mueble contra daños innecesarios.

INSTALACIÓN DE LA COLUMNA DE SERVIR

- Ubique el barril de cerveza directamente delante de la puerta abierta. Levante con cuidado el barril, agarrándolo únicamente por las asas. **(Vea la fig. 5)**
- Para colocar el barril de cerveza en el mueble, apoye sus rodillas detrás del mismo. Levante la parte delantera del barril sólo lo suficiente para que su borde delantero se apoye sobre el borde delantero del piso del mueble del equipo. **(Vea la fig. 6)**
- Agarre las asas del barril y deslícelo para meterlo por completo en el mueble

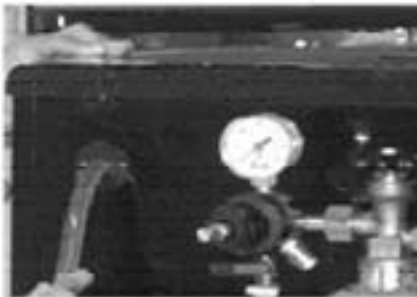


Figura 4



Figura 5



Figura 6

INSTALACIÓN DEL MECANISMO DE ACOPLAMIENTO DEL BARRIL

- Introduzca el mecanismo de acoplamiento que viene con el equipo en el cuello con cierre del barril y gírelo hacia la derecha hasta que se trabe en su lugar; verifique que el mecanismo quede en la posición cerrada. **(Vea la fig. 7)**



Instrucciones para la instalación del barril de cerveza

INSTALACIÓN DE LA MANGUERA NEUMÁTICA DE GAS CARBÓNICO

- Instale el extremo de de la manguera roja que viene con el equipo en el dispositivo de conexión del mecanismo de acoplamiento del barril.

CÓMO CONECTAR LA COLUMNA DE SERVIR AL MECANISMO DE ACOPLAMIENTO

- Asegúrese de insertar la arandela de goma en el aparato the conexión al contenedor the cerveza. Refiere a Fig. 7 abajo.
- Verifique que la bolita esté en su sitio (que haya descendido a la parte superior del mecanismo de acoplamiento).
- Verifique que la pieza de retención de la bola esté en su sitio en el mecanismo de acoplamiento, con los 'brazos' dentro del mismo.
- Coloque la tuerca de mariposa en la parte superior del mecanismo de acoplamiento, girándola hasta que quede apretada.

CÓMO ACTIVAR LA CONEXIÓN AL BARRIL DE CERVEZA

- Verifique que el paso de gas carbónico esté cerrado, y que la válvula secundaria del regulador esté cerrada.
- Tire hacia afuera de la válvula de seguridad del mecanismo de acoplamiento y suéltela, para purgar la presión neumática.
- Verifique que el grifo de la columna de servir esté cerrado.
- Tire hacia atrás de la palanca de activación de la conexión y empújela hacia abajo hasta que quede trabada en su lugar. **(Vea la fig. 8)** Ahora, la conexión al barril está activada.

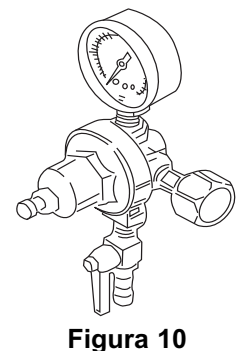
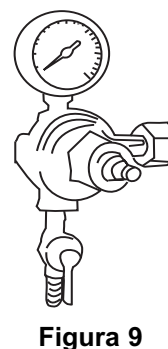
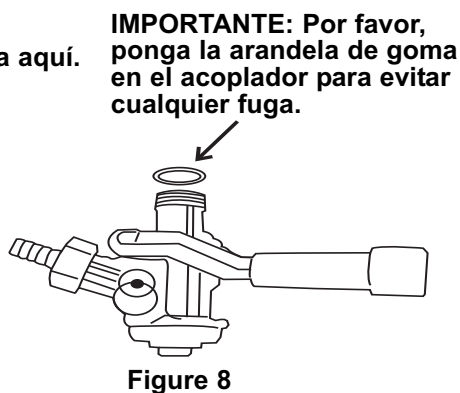
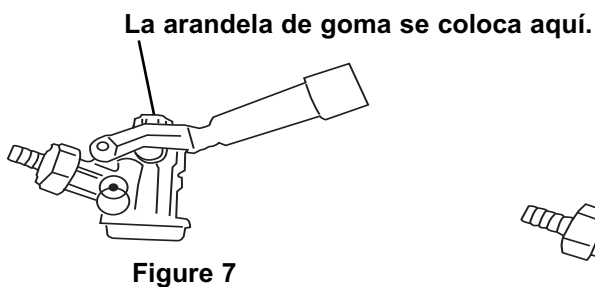
CÓMO ABRIR LA VÁLVULA PRINCIPAL DEL TANQUE DE GAS

- Verifique que esté cerrada la válvula de paso secundaria (que en la fig. 9 se muestra en la posición 'abierta'). Para abrir la válvula principal del tanque, gírela lentamente hacia la izquierda hasta que esté completamente abierta.
- Observe que la aguja del manómetro del regulador empieza a subir.

CÓMO GRADUAR EL REGULADOR DE GAS CARBÓNICO

El manómetro controla la baja presión interna del barril y debe ajustarse para una lectura de entre 10 y 12 lb./pulg.2 (Vea la fig. 10) La presión se puede ajustar según sea necesario.

- Afloje la contratuerca de ajuste marcada con el número 2.
- Con un destornillador plano, gire el tornillo del regulador marcado con el número 3.
 - o Para aumentar la presión, gírelo hacia la derecha.
 - o Para disminuir la presión, gírelo hacia la izquierda.
- Vuelva a apretar la contratuerca marcada con el número 2.
- Abra la llave de paso secundaria para que el gas carbónico fluya al barril.
- Deje que pasen varios minutos para que el barril quede debidamente presurizado. Mientras esto ocurre, es posible que descienda la lectura del manómetro del regulador. (Nota: Preste atención para detectar cualquier sonido sibilante producido por una fuga en las conexiones)

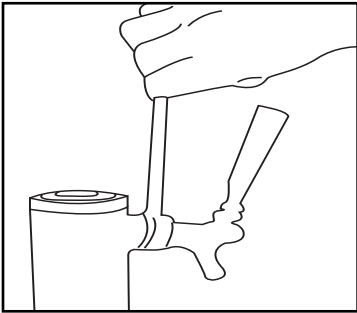




Instrucciones para la instalación del barril de cerveza

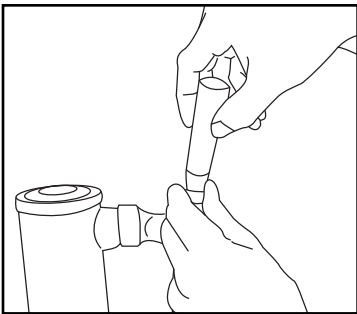
LLAVE PARA EL GRIFO (que no viene con el equipo)

(que no viene con el equipo) una llave para apretar o retirar la conexión del grifo.



PALANCA DE PLÁSTICO PARA EL GRIFO

Coloque la palanca de plástico negro en la parte superior del grifo, y apriétela con la mano girándola completamente hacia la derecha y sujetando la tuerca plateada ubicada debajo para que no gire. Si aún gotea un poco del grifo, es posible que la haya apretado demasiado y es necesario que desenrosque la contratuerca plateada girándola una vuelta hacia la izquierda (como se ilustra).



CÓMO SERVIR LA CERVEZA

- Conserve refrigerado en todo momento el barril de cerveza.
- No deje que se sequen las tuberías de cerveza.
- Sirva la cerveza en vasos de vidrio limpios.
- Sostenga el vaso en un ángulo de 45° hasta llenar las dos terceras partes, luego vaya enderezándolo a medida que se llene.
- Verifique siempre que la palanca del grifo regrese por completo a su posición original.

Nota: Tamaño de los barriles que puede emplear en su equipo

1/2 barril	59 litros	15.5 gal.	1984 oz.	Vidrio 41/ 12 oz.
1/4 barril	30 litros	7.8 gal.	992 oz.	Vidrio 41/ 12 oz.
1/6 barril	20 litros	5.2 gal.	661 oz.	Vidrio 41/ 12 oz.
1/8 barril	15 litros	4.0 gal.	496 oz.	Vidrio 41/ 12 oz.

Nota: Puede instalar en el equipo barriles doméstico de hasta 16-1/8" de diámetro, y de hasta 23-3/8" de altura. Hable con el distribuidor para verificar que el tamaño del barril sea el adecuado.



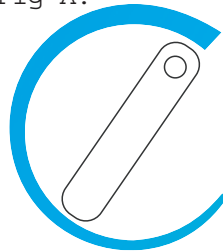
Instrucciones de instalación

CÓMO GRADUAR LA TEMPERATURA

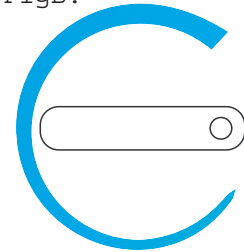
La temperatura se controla mediante el ajuste / ajuste la perilla de control del termostato. Para iniciar la unidad y lograr un enfriamiento rápido;

- Dé vuelta a la perilla del control de la temperatura a la derecha al ajuste (máximo) más futuro en la sección (ancha) azul más oscura del dial de control graduado. **(Fig A)**
- Permita que el unidad funcione en este ajuste por 3-4 horas.
- Cuando se consigue la máxima refrigeración, volver atrás el mando de control de temperatura a una temperatura moderada / medio plazo.
- Para apagar el unidad (ninguna enfriamiento), gire la perilla de control a las "0" (apagado) posiciones. **(Fig.B)**

Fig A.



FigB.



DESCONGELACIÓN AUTOMÁTICA

No es necesario descongelar el equipo para servir cerveza. El agua descongelada se recoge y pasa por el desagüe ubicado en la parte posterior a una bandeja ubicada por encima del compresor, donde se evapora

NOTA: Si la unidad se desenchufa, pierde potencia o se apaga, debe esperar entre 3 y 5 minutos para volver a encenderla. Si intenta hacerlo antes del tiempo señalado, el equipo no se encenderá.

CÓMO CONVERTIR EL EQUIPO EN UN REFRIGERADOR

1. Gire la perilla de control a la posición de apagado ("OFF").
2. Cierre la válvula principal del tanque de gas.
3. Cierre la válvula de paso secundaria ubicada en el tubo del regulador.
4. Cierre la conexión entre el barril y el mecanismo de acoplamiento
5. Drene la cerveza que queda en las tuberías.
6. Desconecte la tubería de cerveza y la de gas carbónico del mecanismo de acoplamiento del barril
7. Retire el barril
8. Retire el mecanismo de acoplamiento
9. Desconecte la tubería neumática del tanque de gas.
10. Retire la tubería neumática y de gas carbónico del orificio del mueble
11. Vuelva a colocar el tapón en el orificio para la tubería neumática ubicada en la parte posterior del mueble.
12. Retire la columna de servir. Retire también la tubería de cerveza del orificio ubicado en la parte superior del mueble.
13. Vuelva a colocar el tapón en el orificio de la parte superior del mueble.
14. Ajuste la temperatura a la graduación que desee.



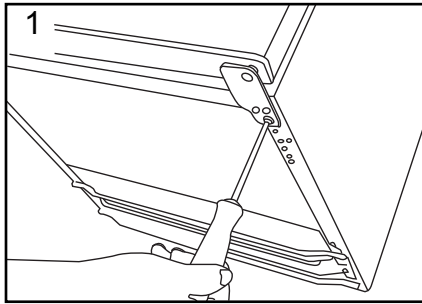
Instrucciones de funcionamiento

CÓMO INVERTIR LA PUERTA

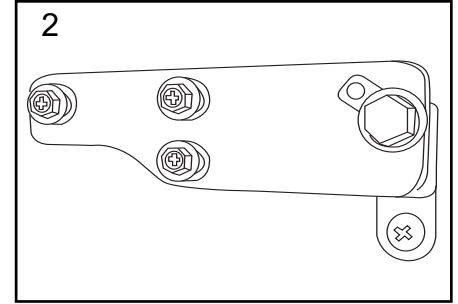
Este equipo para servir cerveza trae una puerta que se puede instalar de modo que se abra hacia la derecha o hacia la izquierda. La puerta viene instalada de fábrica para abrirse hacia la derecha. Para invertir la dirección de apertura, siga estas instrucciones.

ADVERTENCIA

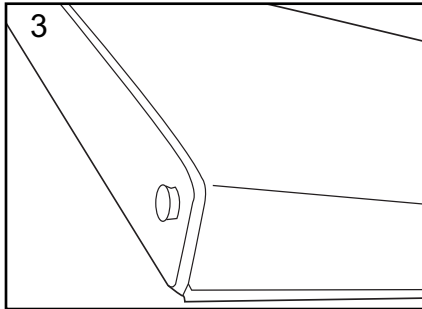
Para evitar lesiones y/o daños materiales, recomendamos que alguien lo ayude durante el proceso de inversión de la puerta.



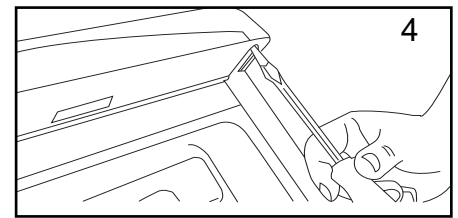
Con el destornillador Phillips, desenrosque los tornillos de cada soporte.



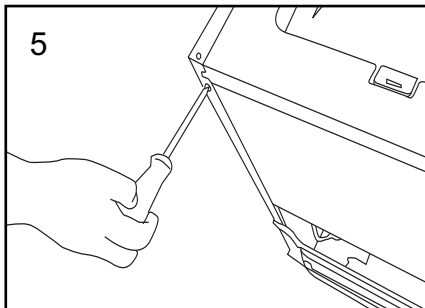
Retire los tornillos y el soporte. Déjelos a un lado.



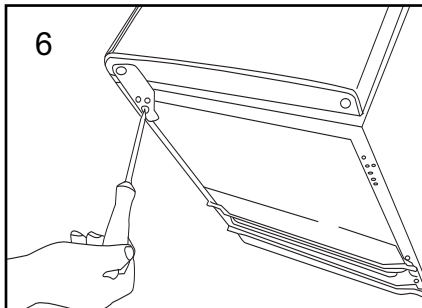
Deslice hacia abajo la puerta del refrigerador alacena, unos 15 cm (6") y retire la clavija de la bisagra superior, y levántela para sacarla del congelador.



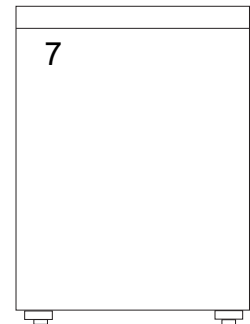
Con un destornillador de hoja plana, retire la clavija del soporte superior. Vuelva a colocarla en el soporte de la bisagra del lado opuesto.



Retire el tornillo del lado del refrigerador alacena donde desee volver a instalar el soporte.



Vuelva a colocar la puerta del refrigerador alacena deslizando en la bisagra superior; verifique que la parte que queda arriba sea la correcta. Instale la bisagra inferior en su sitio en el nuevo lado.



Compruebe que la puerta quede alineada horizontalmente y verticalmente; antes de apretar definitivamente los tornillos de la bisagra inferior, verifique que la empaquetadura quede bien adherida en todos los lados. Vuelva a regular las patas de nivelación.



Cuidado y mantenimiento

CÓMO LIMPIAR EL EQUIPO PARA SERVIR CERVEZA

- Gire la perilla de control a la posición de apagado ("OFF"), desenchufe el equipo y vacíe el contenido.
- Limpie las superficies interiores con agua tibia y una solución de bicarbonato de sodio. La solución debe contener cerca de 2 cucharadas de bicarbonato de sodio y un cuarto de galón de agua.
- Limpie las repisas con un detergente suave diluido.
- Limpie los controles eléctricos con un paño seco.
- Limpie la parte exterior del mueble con agua tibia y un detergente líquido suave. Enjuague bien y seque con un paño limpio y suave.

VACACIONES

- Vacaciones cortas: Deje funcionando el equipo para servir cerveza durante sus vacaciones, si éstas duran menos de tres semanas.
- Vacaciones largas: Si el aparato no se va a usar durante varios meses, vacíe el contenido de su interior y desenchúfelo. Limpie y seque bien el interior del equipo. Para evitar los malos olores y el moho, deje la puerta ligeramente abierta.

CÓMO MOVER EL EQUIPO PARA SERVIR CERVEZA

- Vacíe todo el contenido.
- Fije con cinta adhesiva todas las piezas sueltas que haya dentro del equipo.
- Cierre y fije la puerta con cinta adhesiva.
- Cerciórese de que el equipo se mantenga en posición vertical durante su transporte. Además, protéjalo colocándole encima una manta o algo similar.



Solución sugerida

Usted puede resolver fácilmente muchos problemas comunes del equipo, lo que le ahorrará el costo de una visita de servicio. Intente realizar las siguientes sugerencias para ver si usted puede resolver el problema por sí mismo antes de llamar al servicio de atención al cliente.

PROBLEMA	POSIBLE CAUSA
El equipo no funciona	No está enchufado. El disyuntor de circuito se disparó o hay un fusible quemado.
Se apaga y se enciende frecuentemente	La temperatura en la habitación es más alta de lo normal La puerta se abre con demasiada frecuencia. La puerta no está completamente cerrada. El control de temperatura no está bien ajustado. La junta de la puerta no forma un cierre hermético. La unidad no tiene el espacio libre adecuado.
Hay vibraciones	Verifique que el equipo esté bien nivelado.
El equipo hace mucho ruido.	El traqueteo puede ser ocasionado por el flujo del líquido refrigerante, lo cual es normal. El gorgoteo, producido por el líquido refrigerante en circulación, es normal. La contracción y la expansión de las paredes interiores puede producir sonidos repentinos y crujidos. El equipo no está nivelado.
La puerta no se cierra adecuadamente.	El equipo no está nivelado. La puerta fue invertida y quedó mal instalada. La junta está sucia. Las repisas o el soporte no están en su posición correcta. El barril no está debidamente centrado en la unidad. Las ruedas no están instaladas.



GARANTÍA LIMITADA PARA ELECTRODOMÉSTICO

Este producto de calidad está garantizado contra defectos de fabricación, incluyendo partes y mano de obra, siempre y cuando la unidad se utilice bajo las condiciones normales de funcionamiento para las que fue diseñado.

Esta garantía está solamente disponible para la persona que haya comprado originalmente esta unidad directamente de Danby Products Limited (Canada) o Danby Products Inc. (U.S.A.) (en adelante "Danby") o uno de sus distribuidores autorizados, y no es transferible.

CONDICIONES DE LA GARANTÍA

Las piezas plásticas, se autorizan por treinta (30) días solamente a partir de la fecha de la compra, sin las extensiones proporcionadas.

Primeros 12 Meses Durante los primeros 12 meses, cualquier parte en buen estado de este producto que resulte defectuosa, incluyendo cualquier sistema sellado, será reparado o reemplazado, a opción del fabricante, sin cargo para el comprador ORIGINAL.

Para obtener Servicio Danby se reserva el derecho de limitar la cobertura de "Servicio en Domicilio" sujeto a la proximidad de un Taller de Servicio Autorizado. Para todo artefacto que requiera servicio fuera del área limitada de "Servicio en Domicilio", el cliente será responsable por transportar dicho artefacto hasta el Taller de Servicio Autorizado más cercano. Consulte "Límites del servicio técnico a domicilio", a continuación. Comuníquese con el distribuidor donde haya comprado la unidad, o llame al Taller de Servicio Autorizado más cercano, donde debe ser reparada por un técnico calificado. Si esta unidad es reparada en otro lugar que no sea un Taller de Servicio Autorizado, o si la unidad se utiliza para aplicaciones comerciales, Danby no se hará responsable de ninguna forma y la garantía será anulada.

Límites del servicio técnico a domicilio Si el electrodoméstico está instalado en un lugar que se encuentra a 100 kilómetros (62 millas) o más del centro de servicios más cercano, se debe llevar la unidad al Centro de servicios Danby autorizado más cercano, ya que dicho servicio sólo puede realizarlo un técnico calificado y certificado por Danby para prestar servicios de garantía. Los cargos por transporte desde y hacia el lugar en que se efectúe el servicio técnico no están cubiertos por esta garantía y son de responsabilidad del comprador.

Nada dentro de esta garantía implica que Danby será responsable por cualquier daño que hayan sufrido los alimentos u otros contenidos de este aparato, ya sea debido a un defecto del aparato, o su uso, adecuado o inadecuado.

EXCLUSIONES

Salvo lo aquí indicado por Danby, no existen otras garantías, condiciones o representaciones, explícitas o implícitas, concretas o intencionales por parte de Danby o sus distribuidores autorizados y todas las demás garantías, condiciones o representaciones, incluyendo cualquier garantía, condiciones o representaciones bajo cualquier Acta de Venta de Productos o legislación o estatuto similar, quedan de esta forma expresamente excluidas. Salvo lo aquí indicado, Danby no serán responsables por ningún daño a personas o bienes, incluyendo la propia unidad, sin importar su causa, o de ningún daño indirecto causado por el desperfecto de la unidad, y al comprar esta unidad, el comprador acepta por la presente, indemnizar y proteger a Danby contra cualquier reclamo por daños a personas o bienes causados por la unidad.

CONDICIONES GENERALES

No se considerará ninguna de estas garantías o seguros cuando el daño o la necesidad de reparación sea el producto de los siguientes casos:

- 1) Falla del suministro eléctrico.
- 2) Daños en tránsito o durante el transporte de la unidad.
- 3) Alimentación incorrecta, como bajo voltaje, instalación eléctrica defectuosa o fusibles inadecuados.
- 4) Accidente, modificación, abuso o uso incorrecto del artefacto, tal como insuficiente ventilación del ambiente o condiciones de operación anormales (temperatura ambiente extremadamente alta o baja).
- 5) Utilización comercial o industrial (v.g., si el electrodoméstico no está instalado en una vivienda particular).
- 6) Incendio, daños por agua, robo, guerra, disturbios, hostilidades, actos de fuerza mayor como huracanes, inundaciones, etc.
- 7) Pedidos de servicio debido a desinformación del usuario.
- 8) Instalación inadecuada (v.g., instalación empotrada de un electrodoméstico diseñado como unidad independiente o uso de un electrodoméstico al aire libre que no esté aprobado para dicho fin).

Para acceder a la garantía se solicitará un comprobante de compra; por lo tanto, guarde su recibo. En caso de necesitar servicio de garantía, presente ese documento al TALLER DE SERVICIO AUTORIZADO.

Servicio de Garantía
Servicio en Domicilio

Danby Products Limited
PO Box 1778, Guelph, Ontario, Canada N1H 6Z9
Telephone: (519) 837-0920 FAX: (519) 837-0449

1-800-263-2629

Danby Products Inc.
PO Box 669, Findlay, Ohio, U.S.A. 45840
Telephone: (419) 425-8627 FAX: (419) 425-8629



KEG COOLER

The model number of your Keg Cooler is found on the serial plate located on the back, top left-hand corner of the refrigerator.

All repair parts are available for purchase or special order when you visit your nearest service depot. To request service and/or location of the service depot nearest you, call the toll free number listed to the left in Canada and the U.S.

When requesting service, or ordering parts, always provide the following information:

- **Product Type**
- **Model Number**

GLACIÈRE DE BIÈRE PRESSION

Le numéro del modèle de votre GLACIÈRE DE BIÈRE PRESSION se trouve sur la plaque d'identification qui se trouve sur le coin du haut gauche de l'arrière du réfrigérateur.

Toutes les pièces de rechange sont disponibles immédiatement ou peuvent être commandées de votre Centre de Service régional. Pour obtenir le service et/ou le Centre de Service le plus proche, téléphonez le numéro sans-frais indiqué à gauche pour le Canada et les États-Unis.

Ayez les informations suivantes à la portée de la main lors de la commande de pièces ou service:

- **Genre de produit**
- **Numéro de modèle**

BARRIL REFRIGERADOR

El número del modelo de su BARRIL REFRIGERADOR se encuentra en la placa de serie ubicada en el ángulo posterior superior izquierdo del refrigerador.

Todas las piezas de repuesto se encuentran disponibles para compra o por pedido especial cuando Ud. visite su departamento de servicio y/o la ubicación del departamento de servicio más cercano, llame al número de marcando gratis que aparece a la izquierda en el Canada y en los E.U.

Cuando solicite servicio o encargue repuestos, siempre proporcione la siguiente información:

- **Tipo de producto**
- **Número de modelo**



Model • Modèle • Modelo
DKC146SLDB