



Model • Modèle • Modelo  
**DWC172BL**

For service, contact  
your nearest service depot or call:

**1-800-26D-anby**  
to recommend a depot in  
your area.

Pour obtenir le service, consultez  
votre succursale régionale de  
service ou téléphonez:

**1-800-26D-anby**  
qui vous recommandera un  
centre régional.

Para servicio, comuníquese con  
su departamento de servicios más  
cercano o llame al:

**1-800-26D-anby**  
para que le recomienden un  
departamento de servicios  
en su zona.

## WINE COOLER

The model number of your wine cooler is found on the serial plate located on the back, top left-hand corner of the refrigerator.

All repair parts available for purchase or special order when you visit your nearest service depot. To request service and/or the location of the service depot nearest you, call the toll free number listed to the left in Canada and the U.S.

When requesting service or ordering parts, always provide the following information:

- Product Type
- Model Number
- Part Number
- Part Description

## REFROIDISSEUR DE VIN

Le numéro de modèle de votre refroidisseur de vin se trouve sur la plaque d'identification qui se trouve sur le coin du haut gauche de l'arrière du réfrigérateur.

Toutes les pièces de rechange sont disponibles immédiatement ou peuvent être commandées de votre Centre de Service régional. Pour obtenir le service et/ou le Centre de Service le plus proche, téléphonez le numéro sans-frais indiqué à gauche pour le Canada et les États-Unis.

Ayez les informations suivantes à la portée de la main lors de la commande de pièces ou service:

- Genre de produit
- Numéro de modèle
- Numéro de pièce
- Description de la pièce

## REFRIGERADOR PARA VINOS

El número del modelo de su refrigerador para vinos se encuentra en la placa de serie ubicada en el ángulo posterior superior izquierdo del refrigerador.

Todas las piezas de repuesto se encuentran disponibles para la compra o por pedido especial cuando Ud. visite su departamento de servicio más cercano. Para solicitar servicio y/o la ubicación del departamento de servicio más cercano, llame al número de marcando gratis que aparece a la izquierda en el Canadá y en los E.U.

Cuando solicite servicio o encargue repuestos, siempre proporcione la siguiente información:

- Tipo de producto
- Número de modelo
- Número del repuesto
- Descripción del repuesto

Danby Products Limited, PO Box 1778, Ontario, Canada N1H 6Z9  
Danby Products Inc., PO Box 669, Findlay, Ohio, USA 45839-0669



**OWNER'S MANUAL  
MANUEL D'UTILISATION  
MANUAL DEL PROPIETARIO**

**Model • Modèle • Modelo  
DWC172BL**

**CAUTION:**

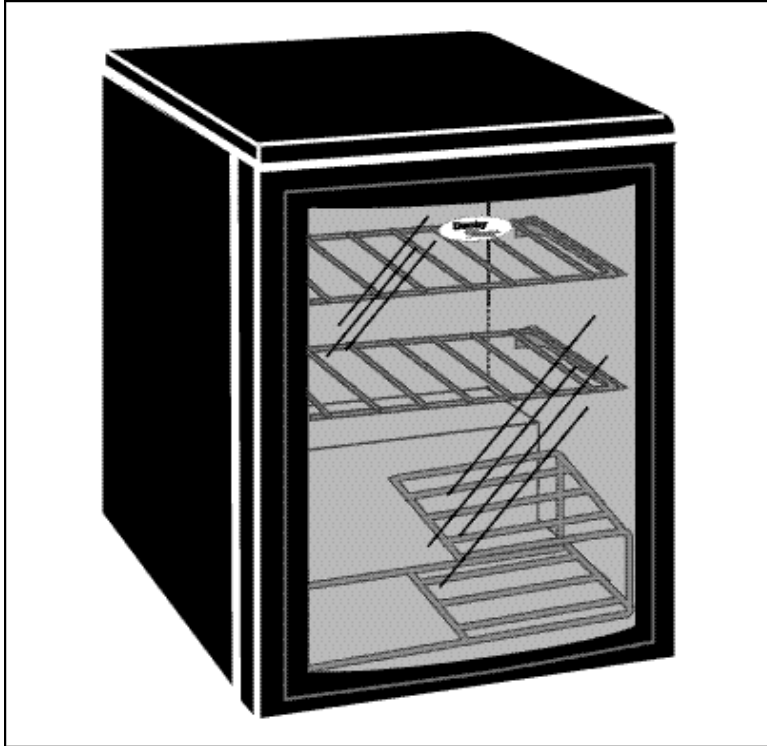
Read and follow all safety rules and operating instructions before first use of this product.

**PRÉCAUTION:**

Veillez lire attentivement les consignes de sécurité et les instructions d'utilisation avant l'utilisation initiale de ce produit.

**PRECAUCIÓN:**

Lea y observe todas las reglas de seguridad y las instrucciones de operación antes de usar este producto por primera vez.



**WINE COOLER**

**Owner's Manual .....1-4**

- Safety Instructions
- Installation
- Operation
- Care and Maintenance

**REFROIDISSEUR DE VIN**

**Manuel d'utilisation .....5-8**

- Consignes de sécurité
- Installation
- Fonctionnement
- Soins et entretien

**REFRIGERADOR PARA VINOS**

**Manual del propietario .....9-12**

- Instrucciones de seguridad
- Instalación
- Operación
- Cuidado y Mantenimiento

# Danby® LIMITED PRODUCT WARRANTY

This quality product is warranted to be free from manufacturer's defects in material and workmanship, provided that the unit is used under the normal operating conditions intended by the manufacturer.

This warranty is available only to the person to whom the unit was originally sold by Danby or by an authorized distributor of Danby, and is non-transferable.

## TERMS OF WARRANTY

Plastic parts (ie. evaporator door, door rails, covers and trays are warranted for thirty (30) days only from purchase date, with no extensions provided.

*First Year* During the first year (1), any electrical parts of this product found to be defective, including any sealed system units, will be repaired or replaced, at warrantor's option, at no charge to the ORIGINAL purchaser. Consumable parts (ie. light bulbs) are not warranted or guaranteed for any length of time.

*Second Through Fifth Year* During the next four years (4) any part of the sealed system found to be defective (consisting of compressor, condenser, evaporator, dryer and all related tubing) will be replaced without charge. The purchaser shall pay for all labour and return freight during this four year (4) period for repair or replacement of any sealed system components. Any unit being diagnosed as non-functional due to sealed system failure and warranting an exchange during the existing four (4) years will be subject to an appropriate depreciation or user fee, including any and all freight charges being levied against the consumer.

*To obtain Service* Danby reserves the right to limit boundaries of "In Home Service" due to the proximity of an Authorized Service Depot. Any appliance requiring service outside the limited boundaries of "In Home Service", it will be the customer's responsibility to transport the appliance to the closest Authorized Service Depot at their own expense. Contact your dealer from whom your unit was purchased, or contact your nearest authorized Danby service depot, where service must be performed by a qualified service technician. If service is performed on the units by anyone other than an authorized service depot, or the unit is used for commercial application, all obligations of Danby under this warranty shall be at an end.

The following clause refers to single and double door refrigerators, supplied with or without a separate freezer section. Nothing within this warranty shall imply that Danby will be responsible or liable for any spoilage or damage to food or other contents of this appliance, whether due to any defect of the appliance, or its use, whether proper or improper.

## EXCLUSIONS

Save as herein provided, Danby Products Limited (Canada) or Danby Products Inc. (U.S.A.), there are no other warranties, conditions, representations or guarantees, express or implied, made or intended by Danby Products Limited or its authorized distributors and all other warranties, conditions, representations or guarantees, including any warranties, conditions, representations or guarantees under any Sale of Goods Act or like legislation or statute is hereby expressly excluded. Save as herein provided, Danby Products Limited (Canada) or Danby Products Inc. (U.S.A), shall not be responsible for any damages to persons or property, including the unit itself, howsoever caused or any consequential damages arising from the malfunction of the unit and by the purchase of the unit, the purchaser does hereby agree to indemnify and save harmless Danby Products Limited from any claim for damages to persons or property caused by the unit.

## GENERAL PROVISIONS

No warranty or insurance herein contained or set out shall apply when damage or repair is caused by any of the following:

- 1) Power Failure.
- 2) Damage in transit or when moving the appliance.
- 3) Improper power supply such as low voltage, defective house wiring or inadequate fuses.
- 4) Accident, alteration, abuse or misuse of the appliance such as inadequate air circulation in the room or abnormal operating conditions, (extremely high or low room temperature).
- 5) Use for commercial or industrial purposes.
- 6) Fire, water damage, theft, war, riot, hostility, acts of God such as hurricanes, floods etc.
- 7) Service calls resulting in customer education.

Proof of purchase date will be required for warranty claims; so, please retain bills of sale. In the event warranty service is required, present this document to our AUTHORIZED SERVICE DEPOT.

Warranty Service	
With-In Canada	With-In United State
In Home	In Home

Danby Products Limited  
PO Box 1778, 5070 Whitelaw Road,  
Guelph, Ontario, Canada N1H 6Z9  
Telephone: (519) 837-0920 FAX: (519) 837-0449

3/00

Danby Products Inc.  
PO Box 669, 101 Bentley Court,  
Findlay, Ohio, U.S.A. 45839-0669  
Telephone: (419) 425-8627 FAX: (419) 425-8629

## SAFETY INSTRUCTIONS

### ATTENTION

#### GROUNDING INSTRUCTIONS

This appliance must be grounded. In the event of an electrical short circuit, grounding reduces the risk of electrical shock by providing an escape wire for the electrical current. This appliance is equipped with a cord having a grounding wire with a grounding plug. The plug must be plugged into an outlet that is properly installed and grounded.

**WARNING** - Improper use of the grounding plug can result in a risk of electric shock. Consult a qualified electrician or serviceman if the grounding instructions are not completely understood, or if the doubt exists as to whether the appliance is properly grounded.

#### DO NOT USE AN EXTENSION CORD

Use an exclusive wall outlet. Do not connect your wine cooler to extension cords or together with any other appliance in the same wall outlet. Do not splice the cord.

#### IMPORTANT WARNING

An empty wine cooler is a very dangerous attraction to children. Remove either the gasket, latches, lids or doors from unused appliances, or take some other action that will guarantee it harmless.

**DON'T WAIT! DO IT NOW!**

## INSTALLATION INSTRUCTIONS

Remove the exterior and interior packings, wipe the outside thoroughly with a soft dry cloth and the inside with a wet, lukewarm cloth. Avoid placing the cabinet in a narrow recess or near any heat source, direct sunlight, or moisture. Let air circulate freely around the cabinet. Keep the rear of the wine cooler 5 inches away from the wall.

#### Location

1. Select a place with a strong, level floor.
2. Allow 5 inches of space between the back of the wine cooler and any adjacent wall.
3. Avoid direct sunlight and heat. Direct sunlight may affect the acrylic coating. Heat sources nearby will cause higher electricity consumption.

## OPERATION

To avoid vibration, the cabinet must be set level. To start the wine cooler, turn the temperature control to the position corresponding to the desired cooling. The wine cooler temperature will vary depending on the quantity of bottles stored and on the frequency with which the door is opened.

Turn the control to the "OFF" position to temporarily disconnect the cooling cycle. When the wine cooler is not to be used for a long period of time, disconnect the plug and leave the door partially open.

**NOTE:** Wait 3 to 5 minutes before restarting if operation has been interrupted.

#### Defrosting

Your wine cooler is designed with an "Auto-Cycle" defrost system. *What is Auto Cycle defrost?*

The refrigerated surfaces of the fresh food compartment defrost automatically, during the "off" cycle of the cold control. (thermostat) Defrost water from the fresh food compartment is disposed of automatically, by means of being channeled onto a drip tray located on the compressor. Heat transfer from the compressor causes the defrost water to evaporate.

## CARE & MAINTENANCE

### Cleaning

To clean the inside, use a soft cloth and a solution of a tablespoon of baking soda to one quart of water, or a mild soap suds solution, or some mild detergent. Wash glide out shelves in a mild detergent solution, then dry and wipe with a soft cloth. Clean the outside with a soft damp cloth and some mild detergent or appliance cleaner.

### Vacation Time

For short vacation periods, leave the control knobs at their usual settings. During longer absences,

- (a) remove bottles,
- (b) disconnect from electrical outlet,
- (c) clean the wine cooler thoroughly,
- (d) leave door open to avoid possible formations of condensate, mold or odors.

### Power Failure

Most power failures are corrected within an hour or two and will not affect your wine cooler temperatures. However, you should minimize the number of door openings while the power is off. During power failures of longer duration, take steps to protect your wine.

### If You Move

Remove or securely fasten down all loose items inside the wine cooler. To avoid damaging the leveling screws, turn them all the way into the base.

### Shelves

This unit is equipped with the following shelves;

- 1 flat type (regular) refrigerator shelf
- 1 flat type half shelf
- 1 (staggered) lower shelf

### Some Important Rules for the Correct Use of the Wine Cooler

- Beverages should be stored in sealed bottles.
- Don't overload the cabinet.
- Don't open the door unless necessary.
- Should the wine cooler be stored without use for long periods it is suggested, after a careful cleaning, to leave the door ajar to allow the air to circulate inside the cabinet in order to avoid possible formations of condensate, mold or odors.
- DO NOT cover shelves with aluminum foil or any other shelf covering material which may prevent air circulation.

### Recommended Temperatures for Chilling Wine

Dry Wines:	9°C / 48.2°F - 14°C / 57.2°F
Rosé Wines:	10°C / 50°F
Red Wines:	13°C / 55.4°F - 14°C / 57.2°F
Sparkling Wines:	9°C / 48.2°F

### Technical and Structural Operation Features

Cabinet bonderized and acrylic-enameled according to the most modern electrostatic spraying techniques. High-density polyurethane thermal insulation. Magnetic door closure gasket.



Model • Modèle • Modelo  
**DWC172BL**

For service, contact  
your nearest service depot or call:

**1-800-26D-anby**  
to recommend a depot in  
your area.

Pour obtenir le service, consultez  
votre succursale régionale de  
service ou téléphonez:

**1-800-26D-anby**  
qui vous recommandera un  
centre régional.

Para servicio, comuníquese con  
su departamento de servicios más  
cercano o llame al:

**1-800-26D-anby**  
para que le recomienden un  
departamento de servicios  
en su zona.

## WINE COOLER

The model number of your wine cooler is found on the serial plate located on the back, top left-hand corner of the refrigerator.

All repair parts available for purchase or special order when you visit your nearest service depot. To request service and/or the location of the service depot nearest you, call the toll free number listed to the left in Canada and the U.S.

When requesting service or ordering parts, always provide the following information:

- Product Type
- Model Number
- Part Number
- Part Description

## REFROIDISSEUR DE VIN

Le numéro de modèle de votre refroidisseur de vin se trouve sur la plaque d'identification qui se trouve sur le coin du haut gauche de l'arrière du réfrigérateur.

Toutes les pièces de rechange sont disponibles immédiatement ou peuvent être commandées de votre Centre de Service régional. Pour obtenir le service et/ou le Centre de Service le plus proche, téléphonez le numéro sans-frais indiqué à gauche pour le Canada et les États-Unis.

Ayez les informations suivantes à la portée de la main lors de la commande de pièces ou service:

- Genre de produit
- Numéro de modèle
- Numéro de pièce
- Description de la pièce

## REFRIGERADOR PARA VINOS

El número del modelo de su refrigerador para vinos se encuentra en la placa de serie ubicada en el ángulo posterior superior izquierdo del refrigerador.

Todas las piezas de repuesto se encuentran disponibles para la compra o por pedido especial cuando Ud. visite su departamento de servicio más cercano. Para solicitar servicio y/o la ubicación del departamento de servicio más cercano, llame al número de marcando gratis que aparece a la izquierda en el Canadá y en los E.U.

Cuando solicite servicio o encargue repuestos, siempre proporcione la siguiente información:

- Tipo de producto
- Número de modelo
- Número del repuesto
- Descripción del repuesto

Danby Products Limited, PO Box 1778, Ontario, Canada N1H 6Z9  
Danby Products Inc., PO Box 669, Findlay, Ohio, USA 45839-0669



**OWNER'S MANUAL  
MANUEL D'UTILISATION  
MANUAL DEL PROPIETARIO**

Model • Modèle • Modelo  
**DWC172BL**

**CAUTION:**

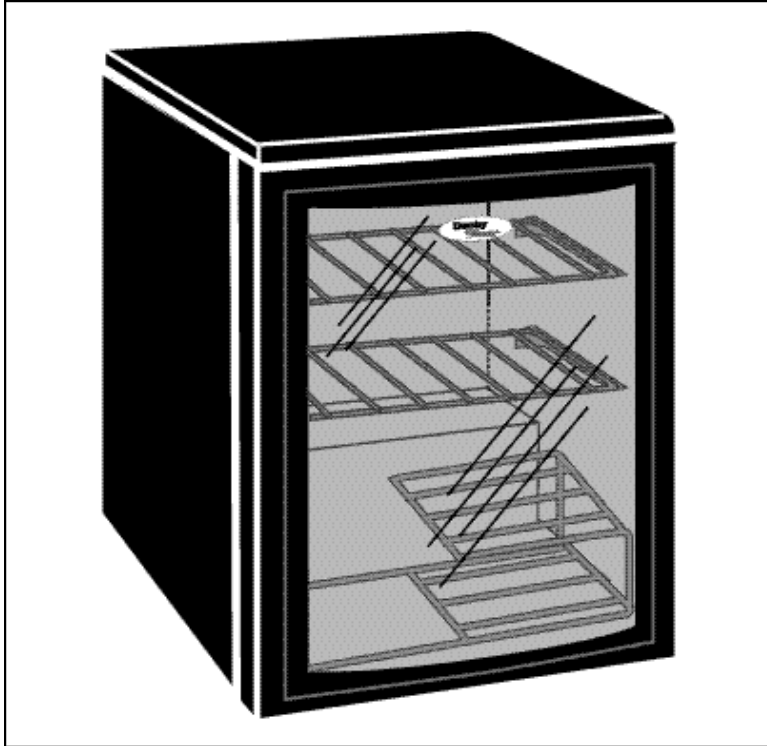
Read and follow all safety rules and operating instructions before first use of this product.

**PRÉCAUTION:**

Veillez lire attentivement les consignes de sécurité et les instructions d'utilisation avant l'utilisation initiale de ce produit.

**PRECAUCIÓN:**

Lea y observe todas las reglas de seguridad y las instrucciones de operación antes de usar este producto por primera vez.



**WINE COOLER**

**Owner's Manual .....1-4**

- Safety Instructions
- Installation
- Operation
- Care and Maintenance

**REFROIDISSEUR DE VIN**

**Manuel d'utilisation .....5-8**

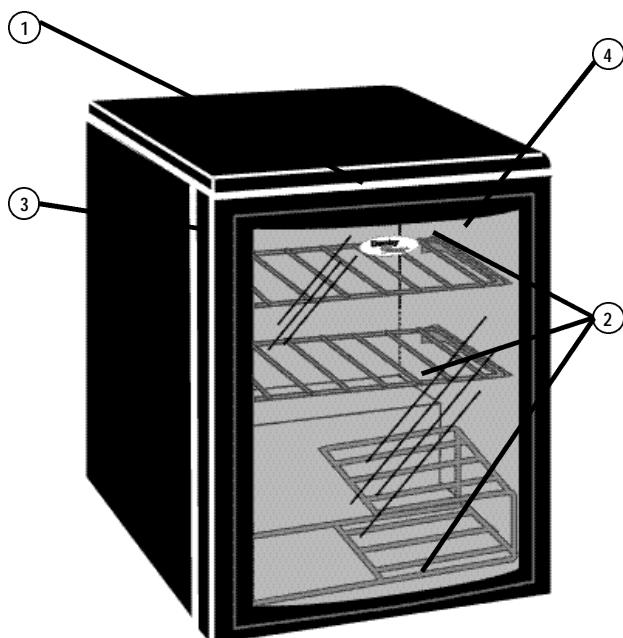
- Consignes de sécurité
- Installation
- Fonctionnement
- Soins et entretien

**REFRIGERADOR PARA VINOS**

**Manual del propietario .....9-12**

- Instrucciones de seguridad
- Instalación
- Operación
- Cuidado y Mantenimiento

1. CADRAN DU THERMOSTAT: (thermostat extérieur monté à l'arrière) Règle la température intérieure du refroidisseur de vin. Met le moteur en marche dès que la température dépasse le niveau désiré.
2. LE PLASTIQUE A COUVERT LA PLANCHE: Résistent aux odeurs et à la rouille. Amovibles pour faciliter l'entretien.
3. JOINT ÉTANCHE MAGNÉTIQUE: Le joint étanche empêche l'air frais de s'échapper.
4. PORTE EN VERRE TREMPÉ : Visibilité claire d'intérieur.



### GUIDE D'ÉCARTS DE TEMPÉRATURE

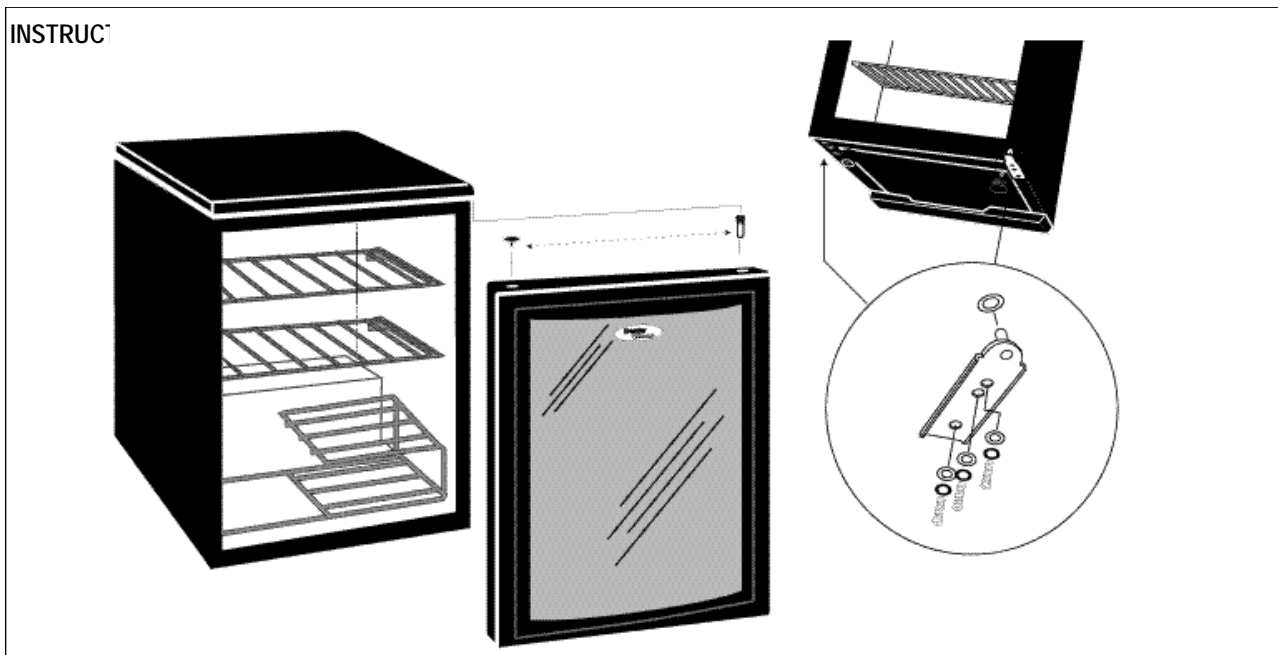
Réglage de la température	Section supérieure	Section au milieu	Section inférieure
0= De	0	0	0
MIN.	10.8°C / 51.6°F	5.6°C / 42.2°F	7.2°C / 45.0°F
MED.(moy.)	12.1°C / 53.8°F	6.2°C / 43.2°F	8.8°C / 48.0°F
MAX.	13.5°C / 56.3°F	6.5°C / 43.7°F	5.1°C / 41.2°F

La température peut varier +/- 5F

### BOUTON DE COMMANDE



### INSTRUC





# Danby® GARANTIE LIMITÉE

Cet appareil de qualité est garanti exempt de tout vice de matière première et de fabrication, s'il est utilisé dans les conditions normales recommandées par le fabricant.

Cette garantie n'est offerte qu'à l'acheteur initial de l'appareil vendu par Danby ou par l'un des ses distributeurs agréés et elle ne peut être transférée.

## CONDITIONS

Pièces en plastique (la porte de l'évaporateur, gardes de porte, couvercle et bacs sont couverts par une garantie sans extension de 30 jours de la date d'achat.

*Première année* Pendant la première (1) année, toutes pièces électriques de ce produit s'avèrent défectueuses, y compris les unités ayant des systèmes obturés, seront réparées ou remplacées, selon le choix du garant, sans frais à l'acheteur INITIAL. Les autres pièces courantes (par ex., les ampoules) ne sont couvertes par aucune garantie.

*De la deuxième à la cinquième années* Pendant les prochaines quatre (4) années, les pièces s'avèrent défectueuses (y compris le: compresseur, condensateur, évaporateur, sècheuse, et tous leurs boyaux) seront remplacés sans frais. L'acheteur est responsable envers tous les frais de main-d'oeuvre et de transport pendant cette période de quatre (4) ans pour la réparation et le rechange sur tous les composants du système obturé. Toute unité de diagnostic inadéquate due à un vice du système obturé et qui exige une unité de rechange pendant ces quatre (4) ans subira un taux de dépréciation convenable ou à un frais pour l'acheteur. Ceci inclut tous les frais de transport qui seront imposés contre l'acheteur.

*Pour bénéficier du service sous garantie* Danby réserve le droit de limiter le rayon du "Service au domicile" selon la proximité d'un dépôt de service autorisé. Le client sera responsable pour le transport et tous les frais d'expédition de tout appareil exigeant le service en dehors des limites du "Service au domicile" au dépôt de service autorisé le plus proche. S'adresser au détaillant qui a vendu l'appareil, ou à la station technique agréée de service la plus proche, où les réparations doivent être effectuées par un technicien qualifié. Si les réparations sont effectuées par quiconque autre que la station de service agréée ou à des fins commerciales, toutes les obligations de Danby en vertu de cette garantie seront nulles et non avenues.

L'article suivante se reporte aux réfrigérateurs à porte simple ou double, avec ou sans une section de congélation. Cette garantie indique en aucun temps la responsabilité de Danby de l'avarie ou dommage de la nourriture ou autre contenu, soit par les vices de l'appareil, ou soit par l'utilisation convenable ou inexacte.

## EXCLUSIONS

En vertu de la présente, il n'existe aucune autre garantie, condition ou représentation, qu'elle soit exprimée ou tacite, de façon manifeste ou intentionnelle, par Danby Products Limitée (Canada) ou Danby Products Inc. (E.- U. d'A.) ou ses distributeurs agréés. De même, sont exclues toutes les autres garanties, conditions ou représentations, y compris les garanties, conditions ou représentations en vertu de toute loi régissant la vente de produits ou de toute autre législation ou règlement semblables.

En vertu de la présente, Danby Products Limitée (Canada) ou Danby Products Inc. (E.- U. d'A.) ne peut être tenue responsable en cas de blessures corporelles ou des dégâts matériels, y compris à l'appareil, quelle qu'en soit les causes. Danby ne peut pas être tenue responsable des dommages indirects dus au fonctionnement défectueux de l'appareil. En achetant l'appareil, l'acheteur accepte de mettre à couvert et de dégager Danby Products Limitée de toute responsabilité en cas de réclamation pour toute blessure corporelle ou tout dégât matériel causé par cet appareil.

## CONDITIONS GÉNÉRALES

La garantie ou assurance ci-dessus ne s'applique pas si les dégâts ou réparations sont dus aux cas suivants:

- 1) Panne de courant;
- 2) Dommage subis pendant le transport ou le déplacement de l'appareil;
- 3) Alimentation électrique incorrecte (tension faible, câblage défectueux, fusibles incorrects);
- 4) Accident, modification, emploi abusif ou incorrect de l'appareil;
- 5) Utilisation dans un but commercial ou industriel;
- 6) Incendie, dommage causés par l'eau, vol, guerre, émeute, hostilités, cas de force majeure (ouragan, inondation, etc.);
- 7) Visites d'un technicien pour expliquer le fonctionnement de l'appareil au propriétaire.

Une preuve d'achat doit être présentée pour toute demande de réparation sous garantie. Prière de garder le reçu. Pour faire honorer la garantie, présenter ce document à la station technique agréée ou s'adresser à:

<b>Service sous-garantie</b>	
<b>Canada</b>	<b>E.-U. d'A</b>
Domicile	Domiciler

Danby Products Limitée  
PO Box 1778, 5070 Whitelaw Road,  
Guelph, Ontario, Canada N1H 6Z9  
Téléphone: (519) 837-0920 Télécopieur: (519) 837-0449

3/96

Danby Products Inc.  
PO Box 669, 101 Bentley Court,  
Findlay, Ohio, U.S.A. 45839-0669  
Telephone: (419) 425-8627 FAX: (419) 425-8629

## CONSIGNES DE SÉCURITÉ

### ATTENTION

#### MISE À LA TERRE

Cet appareil doit être mis à la terre. En cas de court-circuit, la mise à la terre réduit les risques de décharge électrique en fournissant un échappatoire au courant électrique. L'appareil est muni d'un cordon électrique comprenant un fil de mise à la terre et une fiche de terre. Branchez la fiche dans une prise de courant correctement installée et mise à la terre.

**Avertissement** - Consultez un électricien ou un technicien qualifié si vous ne comprenez pas bien les instructions de mise à la terre ou si vous avez un doute quelconque sur la bonne mise à la terre de l'appareil.

#### N'UTILISER JAMAIS DE FIL DE RALLONGE

S'il est possible, brancher le refroidisseur de vin à son propre circuit. Ainsi, les autres appareils ou la surcharge des lampes du domicile ne peuvent pas surcharger et interrompre le courant électrique. Une connexion desserrée peut se doubler à un autre appareil dans la même prise murale.

#### PRÉCAUTION IMPORTANTE

Un refroidisseur de vin vide est une attraction dangereuse aux enfants. Enlever les joints étanches, les loquets, les couvercles ou les portes des appareils qui ne sont pas utiliser, ou faites de soit que l'appareil ne présente aucun danger.

#### N'ATTENDEZ PAS! FAITES-LE IMMÉDIATEMENT!

## INSTRUCTION INSTALLATION

Enlever les emballages extérieures et intérieures. Essuyer complètement l'extérieur avec un linge doux sec et l'intérieur avec un linge humide tiède. Il ne faut jamais situer l'appareil dans un recoin étroit ou proche d'une source d'air chaud, au soleil direct ou à l'humidité. L'air doit circuler à l'entour de l'appareil. Éloigner le refroidisseur de vin au moins 5 pouces du mur.

#### Emplacement

1. Choisir une place qui a un plancher fort et à niveau.
2. Éloigner l'appareil de 5 pouces des murs arrière et de côté.
3. Éviter les rayons de soleil et la chaleur directs qui peuvent affecter la surface en acrylique. Les sources de chaleur rapprochées augmentent la consommation d'énergie.

## FONCTIONNEMENT

Il faut s'assurer que le meuble de l'appareil est à niveau afin d'éviter la vibration. Mettre l'appareil en marche en tournant la commande du thermostat à la position désirée de refroidissement. La température du refroidisseur de vin varie selon la quantité de bouteilles rangées et du nombre d'ouverture de la porte.

Régler la commande à la position "OFF" pour arrêter temporairement le cycle de refroidissement. Si le refroidisseur de vin ne doit pas être en marche pendant quelques temps, débrancher la prise et laisser la porte entre-ouverte.

**À NOTER:** Retarder la mise en marche de 3 à 5 minutes si le fonctionnement a été interrompu.

#### Dégivrage

Le refroidisseur de vin est pourvu d'un système de dégivrage auto-cycle. *Qu'est ce que le dégivrage auto-cycle?*

Les surfaces réfrigérées du compartiment dégivrent automatiquement pendant le cycle "OFF" du thermostat. L'eau de dégivrage se débarrasse automatiquement en entrant un bac. Le transfert de chaleur du compresseur fait évaporer l'eau.

## SOINS ET ENTRETIEN

### Entretien

Pour nettoyer l'intérieur, utiliser un linge doux, et une solution de 2 cuillerées à table de bicarbonate de soude par pinte d'eau, ou un solution savonneuse douce, ou de détersif doux. Laver les clayettes amovibles dans une solution de détersif doux, sécher avec un linge doux. Nettoyer l'extérieur avec un linge doux humide et un peu de détersif doux ou un nettoyeur conçu pour les appareils.

### Pendant les vacances

Si vous prenez des vacances d'un mois ou moins, ne touchez pas à la commande du thermostat. Pendant les vacances plus prolongées:

- enlever tous les bouteilles,
- débrancher l'appareil,
- nettoyer tout le refroidisseur de vin,
- laisser la porte ouverte pour éviter les mauvais odeurs.

### Panne d'électricité

La plupart des pannes d'électricité sont corrigées dans un délai d'une heure et n'ont pas d'effets sur la température du refroidisseur de vin. Il est nécessaire de réduire le nombre d'ouverture de la porte pendant une panne.

Pendant les pannes qui durent plus qu'une heure, prendre des mesures de protéger votre vin.

### Déménagement

Enlever ou immobiliser toutes les pièces amovibles à l'intérieur du refroidisseur de vin. Serrer les vis à nivellement à la base afin de ne pas les endommager.

### Étagères

Cette unité est équipée des planches suivantes:

- une étagère plate régulière pour le réfrigérateur
- 1 appartement tape la moitié de la planche
- une étagère échelonnée en bas

### Importantes consignes de sécurité pour l'utilisation du refroidisseur de vin

- Ranger les breuvages dans des contenants étanches.
- Ne jamais surchargé l'appareil.
- Ouvrir la porte seulement si nécessaire.
- Pour un rangement prolongé de l'appareil, il est suggéré de laver l'appareil, de laisser la porte ouverte afin de fournir une circulation d'air à l'intérieur du meuble et d'éviter le développement de condensation, de mois et d'odeurs.
- Ne jamais recouvrir les clayettes du compartiment de papier d'aluminium ou autres matériaux car ceci peut empêcher la circulation d'air.

### Températures recommandées pour le refroidissement de vin

Vin sec:	9°C / 48.2°F - 14°C / 57.2°F
Vin rosé:	10°C / 50°F
Vin rouge:	13°C / 55.4°F - 14°C / 57.2°F
Vin pétillant:	9°C / 48.2°F

### Caractéristiques Techniques et de Construction

Thermostat pour réglage automatique de la température. Meuble laminé et émaillé selon les techniques de peinture au pistolet les plus modernes. Isolation thermique en polyuréthane de haute densité et joint étanche magnétique de porte.



**OWNER'S MANUAL**  
**MANUEL D'UTILISATION**  
**MANUAL DEL PROPIETARIO**

**Model • Modèle • Modelo**  
**DWC172BL**

**CAUTION:**

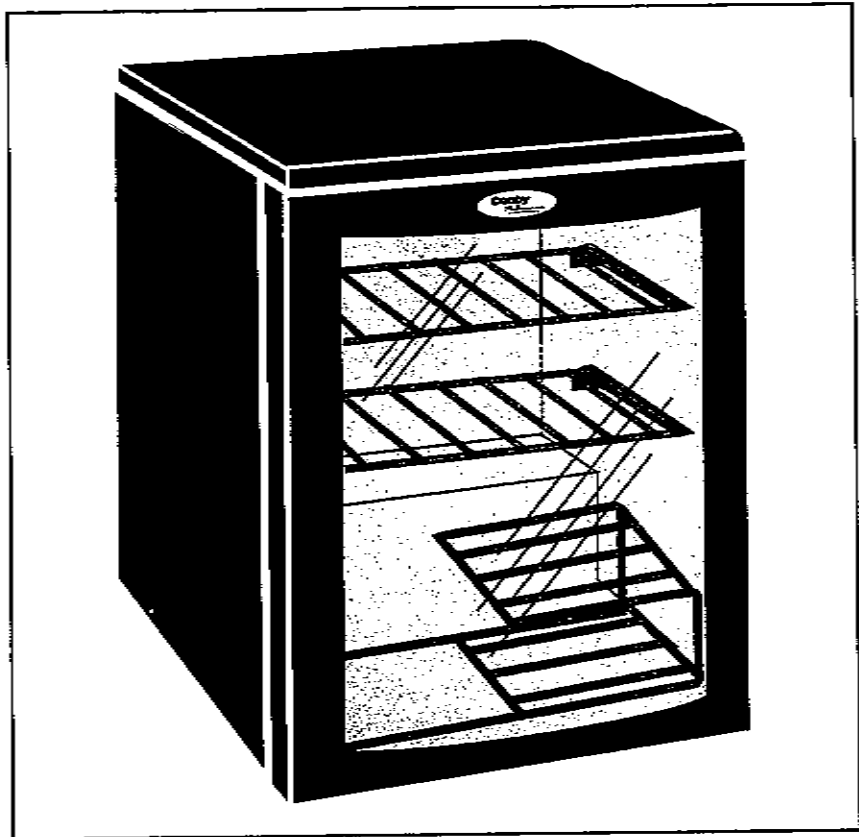
Read and follow all safety rules and operating instructions before first use of this product.

**PRÉCAUTION:**

Veuillez lire attentivement les consignes de sécurité et les instructions d'utilisation avant l'utilisation initiale de ce produit.

**PRECAUCIÓN:**

Lea y observe todas las reglas de seguridad y las instrucciones de operación antes de usar este producto por primera vez.



**WINE COOLER**

**Owner's Manual . . . . .1-4**

- Safety Instructions
- Installation
- Operation
- Care and Maintenance

**REFROIDISSEUR DE VIN**

**Manuel d'utilisation . . . . .5-8**

- Consignes de sécurité
- Installation
- Fonctionnement
- Soins et entretien

**REFRIGERADOR PARA VINOS**

**Manual del propietario . . . . .9-12**

- Instrucciones de seguridad
- Instalación
- Operación
- Cuidado y Mantenimiento

# Danby® GARANTÍA LIMITADA DEL PRODUCTO

Se garantiza que este producto de calidad se encuentra libre de defectos de fabricación en material y mano de obra, siempre que la unidad se use bajo las condiciones de funcionamiento normales propuestas por el fabricante.

Esta garantía se encuentra disponible solamente para la persona a quien Danby o un distribuidor autorizado de Danby vendió originalmente esta unidad, y no se puede transferir.

## TÉRMINOS DE LA GARANTÍA

Las partes plásticas (por ej. la puerta del evaporador, las guías de las puertas, las tapas y bandejas) están garantizadas por treinta (30) días solamente desde la fecha de compra, sin prórrogas.

**El primer año** Durante el primer año (1), todas las partes eléctricas de este producto que se encuentren defectuosas, incluyendo todas las unidades selladas del sistema, se repararán o cambiarán, a opción del garante, sin cargo alguno para el comprador ORIGINAL. Las partes que se consumen (por ej. lámparas) no están garantizadas por ningún período de tiempo.

**Del segundo al quinto año** Durante los siguientes cuatro años (4) toda parte del sistema sellado que se encuentre defectuosa (compuesto del compresor, condensador, evaporador, secador y todas las tuberías asociadas) se cambiarán sin cargo alguno. El comprador pagará por toda la mano de obra y flete de regreso durante este período de cuatro años (4) para reparar o cambiar cualquiera de los componentes sellados del sistema. Toda unidad que se diagnostique como no funcional debido a una falla del sistema sellado y a la que corresponda un cambio durante los cuatro años (4) existentes, estará sujeta a una depreciación correspondiente o cuota de usuario, incluyendo cualquiera y todos los costos de flete que se le exijan al consumidor.

**Para obtener servicio** Comuníquese con su representante en donde compró la unidad, o con el departamento de servicio autorizado de Danby más cercano, en donde un técnico de servicio competente efectuará la reparación. Si cualquier otro departamento que no sea el autorizado lleva a cabo el servicio de reparaciones en las unidades o si la unidad se usa para una aplicación comercial, todas las obligaciones de Danby bajo esta garantía se verán terminadas.

La siguiente cláusula se refiere a refrigeradores de una puerta o de dos puertas suministrados con o sin una sección de congelador separada. Nada dentro de esta garantía implica que Danby será responsable por cualquier daño que hayan sufrido los alimentos u otros contenidos de este aparato, ya sea debido a un defecto del aparato, o su uso, adecuado o inadecuado.

## EXCLUSIONES

Con excepción de lo que se especifica en la presente, Danby Products Limited (Canada) o Danby Products Inc. (U.S.A.), no existe ninguna otra garantía, condición o representación, explícita o implícita, hecha o pretendida por Danby Products Limited o sus distribuidores autorizados, y toda otra garantía, condición o representación, incluyendo toda garantía, condición o representación bajo la Ley de Venta de Artículos, u otra legislación o estatuto similar, queda por la presente excluida. Con excepción de o que se especifica en la presente, Danby Products Limited (Canada) o Danby Products Inc. (U.S.A.) no será responsable de ningún perjuicio a personas o propiedad, incluyendo la unidad misma, de cualquier manera que se hubiese causado, ni de ningún perjuicio resultante del malfuncionamiento de la unidad y, con la compra de la unidad, el comprador por la presente acuerda indemnizar y exonerar a Danby Products Limited de todo reclamo por daños y perjuicios a personas o propiedad causados por la unidad.

## ESTIPULACIONES GENERALES

Ninguna garantía o seguro contenido en la presente o determinado por la presente corresponderá cuando el perjuicio o la reparación hayan sido causados por cualquiera de las siguientes causas:

- 1) Corte de corriente
- 2) Daño en tránsito o cuando se estaba moviendo el aparato
- 3) Corriente eléctrica inadecuada como baja tensión, conexiones defectuosas en la casa o fusibles inadecuados.
- 4) Accidente, alteración, abuso o mal uso del aparato como circulación inadecuada de aire en la habitación o condiciones de funcionamiento anormales (temperaturas de la habitación demasiado altas o bajas).
- 5) Uso para fines comerciales o industriales.
- 6) Incendio, daños causados por agua, robo, guerras, insurrecciones, hostilidades, actos de fuerza mayor como huracanes, inundaciones, etc.
- 7) Llamadas para recibir servicio que resulte en la educación del cliente.

Prueba de la fecha de compra será necesaria para los reclamos sobre garantía; de modo que tenga la bondad de guardar la boleta de venta. En caso que se requiera un servicio bajo garantía, presente este documento a nuestro DEPARTAMENTO DE SERVICIO AUTORIZADO.

Servicio de Garantía	
Dentro del Canadá	Dentro de los Estados Unidos
En el hogar	En el hogar

Danby Products Limited  
PO Box 1778, 5070 Whitelaw Road,  
Guelph, Ontario, Canada N1H 6Z9  
Telephone: (519) 837-0920 FAX: (519) 837-0449

09/01

Danby Products Inc.  
PO Box 669, 101 Bentley Court,  
Findlay, Ohio, U.S.A. 45839-0669  
Telephone: (419) 425-8627 FAX: (419) 425-8629

## INSTRUCCIONES DE SEGURIDAD

### ATENCIÓN INSTRUCCIONES PARA LA CONEXIÓN A TIERRA

Este aparato electrodoméstico debe estar conectado a tierra. En caso de un cortocircuito eléctrico, la conexión a tierra reduce el riesgo de choque eléctrico proporcionando un cable de escape para la corriente eléctrica. Este aparato viene equipado con un cordón que posee un cable a tierra con un enchufe de conexión a tierra. Este enchufe debe estar enchufado en un tomacorriente instalado correctamente y conectado a tierra.

**ADVERTENCIA** - El uso inadecuado del enchufe de conexión a tierra puede resultar en un riesgo de choque eléctrico. Consulte con un electricista o persona de reparaciones competente si no comprende bien las instrucciones de conexión a tierra o si existe alguna duda sobre si el aparato está conectado a tierra correctamente.

### NO USE UN CORDÓN DE PROLONGACIÓN ELÉCTRICA

Use un tomacorriente de pared exclusivo. No conecte su refrigerador para vinos a cordones de prolongación eléctrica o junto a cualquier otro electrodoméstico en el mismo tomacorriente de pared. No empalme el cordón.

### ADVERTENCIA IMPORTANTE:

Un refrigerador para vinos vacío es una atracción muy peligrosa para los niños. Saque todas las juntas, pestillos, tapas o la puerta de todo electrodoméstico que no esté en uso, o tome alguna medida para asegurar que no presente peligro.

#### ¡PELIGRO!

Peligro de atrapar los niños en la unidad

Antes de desechar su antiguo refrigerador o congelador:

- quite las puertas
- Deje las tablas en sus lugares exactos a fin de que los niños no pusieran subir fácilmente a la unidad.

**¡NO ESPERE, HAGALO AHORA MISMO!**

## INSTRUCCIONES DE INSTALACIÓN

Saque los embalajes exteriores e interiores, limpie bien el exterior con un paño suave seco, y el interior con un paño húmedo y tibio. Evite colocar la caja en un hueco estrecho o cerca de una fuente de calor, luz de sol directa, o lugar húmedo. Deje que el aire circule libremente alrededor de la caja. Mantenga la parte posterior del refrigerador para vinos a 5 pulgadas de la pared.

### Ubicación

1. Seleccione un lugar con un piso fuerte y nivelado.
2. Deje cinco pulgadas de espacio entre la parte posterior del refrigerador para vinos y toda pared contigua.
3. Evite la luz directa del sol o calor. La luz directa del sol puede afectar la capa de acrílico. Las fuentes de calor en su proximidad provocarán un consumo mayor de electricidad.

## OPERACIÓN

Para evitar vibraciones, el compartimiento interior debe estar bien nivelada. Para encender el refrigerador para vinos, gire el control de temperatura a la posición que corresponda al enfriamiento deseado. La temperatura del refrigerador para vinos variará dependiendo de la cantidad de alimentos almacenados y la frecuencia con que se abre la puerta.

Gire el control a la posición "OFF" (apagado) para desconectar provisoriamente el ciclo de enfriamiento. Cuando el refrigerador no se use por un período largo, desconecte el enchufe y deje la puerta entreabierta.

**Nota:** Espere entre 3 a 5 minutos antes de volver a encender si el funcionamiento ha sido interrumpido.

### Descongelación

Su refrigerador para vinos ha sido diseñado con un sistema de descongelación de "ciclo automático". ¿Qué es un "ciclo automático" de descongelación?

Las superficies refrigeradas del compartimiento para alimentos frescos se descongela automáticamente, durante el ciclo "apagado" del control de enfriamiento (termostato). El agua descongelada del compartimiento para alimentos frescos es eliminada automáticamente, encauzándola hacia una bandeja de goteo ubicado en el compresor. La transferencia de calor del compresor evapora el agua.

## CUIDADO Y MANTENIMIENTO

### Limpieza

Para limpiar el interior, use un paño suave con una solución de una cucharada de bicarbonato de sosa por cada cuarto de agua, o una solución de espuma de jabón suave, o un detergente suave. Para lavar las rejillas, sáquelas deslizándolas con cuidado, y use una solución de detergente suave; luego séquelas con un paño suave. Limpie el exterior con un paño húmedo suave y un poco de detergente suave o productos de limpieza para electrodomésticos.

### Período de vacaciones

Para períodos cortos de vacaciones, deje los controles en sus graduaciones corrientes. Durante ausencias más largas:

- (a) saque todos los alimentos,
- (b) desconecte el refrigerador del tomacorriente,
- (c) limpie bien el refrigerador para vinos,
- (d) deje la puerta abierta para evitar la formación de condensación, moho u olores.

### Corte de corriente

La mayoría de los cortes de corriente se corrigen en una o dos horas y no afectarán las temperaturas de su refrigerador para vinos. Sin embargo, Ud. deberá reducir la cantidad de veces que abra la puerta cuando la corriente esté apagada. Durante los cortes de corriente de larga duración, tome medidas para proteger sus alimentos.

### Si ud. se muda

Saque o asegure todos los artículos dentro del refrigerador para vinos. Para evitar que los tornillos nivelantes se averíen, gírelos completamente hacia la base.

### Anaqueles

Esta unidad es equipada con los anaqueles siguientes:

- un estante plano regular para el refrigerador
- 1 apartamento escribe a máquina el anaquel medio
- un estante inferior a dos niveles diferentes

### Algunas reglas importantes para el uso correcto del refrigerador para vinos

- Las bebidas se deben guardar en botellas cerradas.
- No sobrecargue el compartimiento interior.
- No abra la puerta a menos que sea necesario.
- Si el refrigerador para vinos se guardara sin uso por períodos largos, se sugiere que, luego de una limpieza cuidadosa, se deje la puerta entreabierta para permitir que el aire circule dentro de la caja y evitar una posible formación de condensación, moho u olores.
- Nunca cubra los estantes del compartimiento para alimentos con papel de aluminio o cualquier otro material para cubrir estantes que puedan obstruir la circulación del aire.

### Temperaturas recomendadas para enfriar vinos

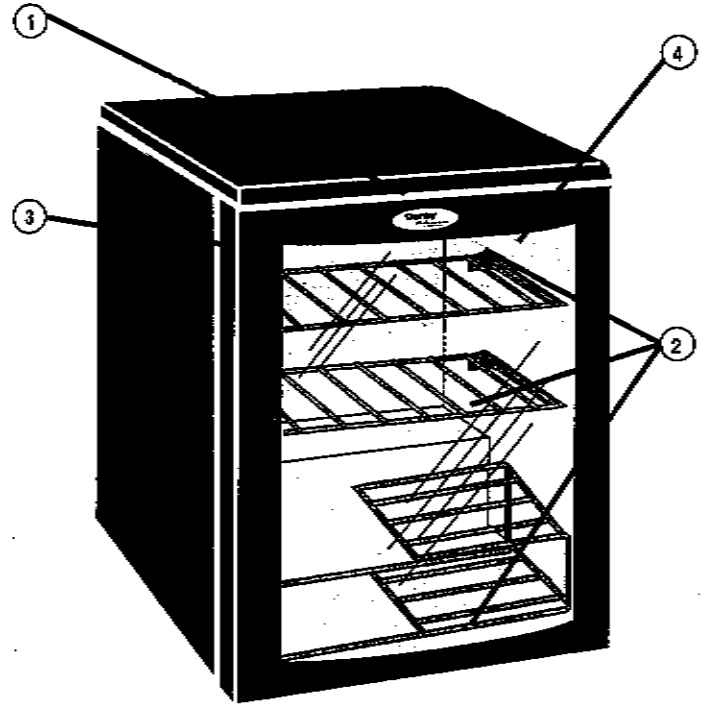
Vinos secos:	9°C / 48.2°F - 14°C / 57.2°F
Vinos rosados:	10°C / 50°F
Vinos tintos:	13°C / 55.4°F - 14°C / 57.2°F
Vinos espumosos:	9°C / 48.2°F

### Características técnicas y estructurales del funcionamiento

Una compartimiento interior bonderizado y esmaltado en acrílico de acuerdo a las técnicas más modernas de atomización electrostática. Aislamiento térmico de poliuretano de alta densidad. Junta de cierre magnético para la puerta.

**NOS RESERVAMOS EL DERECHO DE MODIFICAR LAS  
ESPECIFICACIONES QUE NO AFECTAN EL FUNCIONAMIENTO  
DEL ARTEFACTO**

1. **DISCO DEL TERMOSTATO:** (Instalado en la parte exterior y posterior) Para controlar la temperatura dentro del refrigerador para vinos. Enciende el motor tan pronto como la temperatura sube por encima del nivel deseado.
2. **EL PLÁSTICO CUBRIÓ EL ANAQUEL:** Resistentes a los olores, inoxidable y desmontables para una limpieza fácil.
3. **JUNTA MAGNÉTICA:** Un cierre ajustado de la puerta que mantiene toda la potencia de enfriamiento encerrada en el refrigerador. Sin ganchos ni pestillos.
4. **PUERTA DE VIDRIO TEMPLADO:** Permite la visibilidad del compartimento interior.

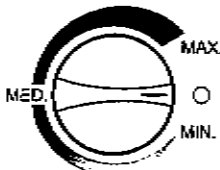


### GUÍA DE VARIACIÓN DE TEMPERATURA

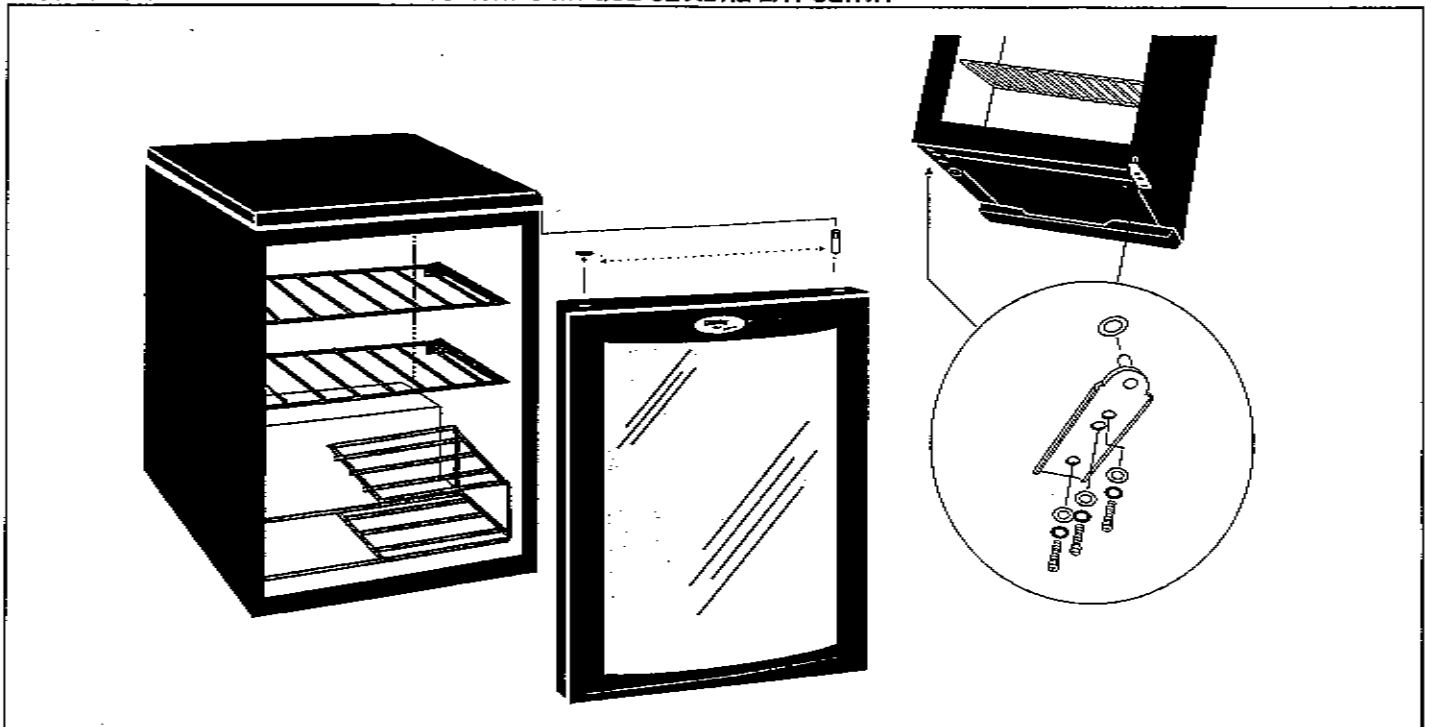
Graduación de la temperatura	Parte superior	Parte media	Parte inferior
0= De	0	0	0
MIN. (mín)	14.5°C / 58.1°F	11°C / 51.8°F	9.5°C / 49.1°F
MED.	13.5°C / 56.3°F	10°C / 50°F	8.5°C / 47.3°F
MAX. (máx)	11°C / 51.8°F	7°C / 44.6°F	5°C / 41°F

La temperatura puede variar +/- 5F

### PERILLA DE CONTROL



### INSTRUCCIONES PARA CAMBIAR EL SENTIDO EN QUE SE ABRE LA PUERTA







Model • Modèle • Modelo  
**DWC172BL**

For service, contact  
your nearest service depot or call:  
**1-800-26D-anby**  
to recommend a depot in  
your area.

Pour obtenir le service, consultez  
votre succursale régionale de  
service ou téléphonez:  
**1-800-26D-anby**  
qui vous recommandera un  
centre régional.

Para servicio, comuníquese con  
su departamento de servicios más  
cercano o llame al:  
**1-800-26D-anby**  
para que le recomienden un  
departamento de servicios  
en su zona.

## WINE COOLER

The model number of your wine cooler is found on the serial plate located on the back, top left-hand corner of the refrigerator.

All repair parts available for purchase or special order when you visit your nearest service depot. To request service and/or the location of the service depot nearest you, call the toll free number listed to the left in Canada and the U.S.

When requesting service or ordering parts, always provide the following information:

- Product Type
- Model Number
- Part Number
- Part Description

## REFROIDISSEUR DE VIN

Le numéro de modèle de votre refroidisseur de vin se trouve sur la plaque d'identification qui se trouve sur le coin du haut gauche de l'arrière du réfrigérateur.

Toutes les pièces de rechange sont disponibles immédiatement ou peuvent être commandées de votre Centre de Service régional. Pour obtenir le service et/ou le Centre de Service le plus proche, téléphonez le numéro sans-frais indiqué à gauche pour le Canada et les États-Unis.

Ayez les informations suivantes à la portée de la main lors de la commande de pièces ou service:

- Genre de produit
- Numéro de modèle
- Numéro de pièce
- Description de la pièce

## REFRIGERADOR PARA VINOS

El número del modelo de su refrigerador para vinos se encuentra en la placa de serie ubicada en el ángulo posterior superior izquierdo del refrigerador.

Todas las piezas de repuesto se encuentran disponibles para la compra o por pedido especial cuando Ud. visite su departamento de servicio más cercano. Para solicitar servicio y/o la ubicación del departamento de servicio más cercano, llame al número de marcando gratis que aparece a la izquierda en el Canadá y en los E.U.

Cuando solicite servicio o encargue repuestos, siempre proporcione la siguiente información:

- Tipo de producto
- Número de modelo
- Número del repuesto
- Descripción del repuesto

Danby Products Limited, PO Box 1778, Ontario, Canada N1H 6Z9  
Danby Products Inc., PO Box 669, Findlay, Ohio, USA 45839-0669