

Danby

Silhouette

**OWNER'S MANUAL
GUIDE DU PROPRIÉTAIRE
MANUAL DEL USUARIO**

DWC516BLS

CAUTION:

Read and Follow All Safety Rules and Operating Instructions Before First Use of This Product.

SAVE THESE INSTRUCTIONS!

ATTENTION :

Avant de faire fonctionner cette machine, lisez et suivez toutes les consignes de sécurité de ce guide en premier lieu.

SAUVEGARDEZ CES INSTRUCTIONS!

ATENCIÓN:

Lea y Siga Todas las Indicaciones de Seguridad y de Operación Antes de Utilizar Este Producto.

¡CONSERVE ESTAS INSTRUCCIONES!

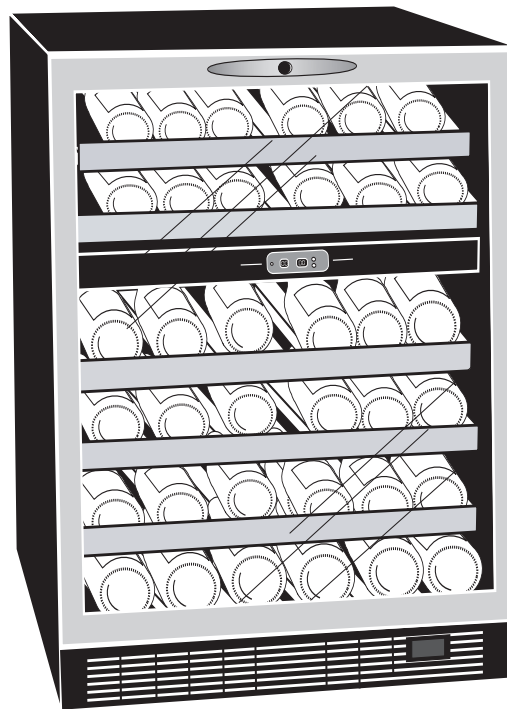


Table of Contents 1

Table des matières 13

Índice 25



TABLE OF CONTENTS

Important Safety Information

3

Safety Precautions	3
Grounding Instructions	4

Operating Instructions

5

Features of Your Wine Cooler	5
The Controls of Your Wine Cooler	6
Setting the Temperature	6
Wine Storage	7
Shelf Instructions	7

Installation Instructions

8

Tools You Will Need	8
Preparing the Enclosure	8
Door Swing Reversal	9

Care and Cleaning

10

Helpful Hints	10
How to Clean the Inside	10
How to Clean the Outside	10

Trouble Shooting

11

Before You Call For Service	11
Warranty	12

WELCOME

Welcome to the Danby family. We're proud of our quality products and we believe in dependable service.

You'll see it in this easy-to-use manual and you'll hear it in the friendly voices of our consumer service department. **Danby**[®]
Tel: 1-800-26-

Best of all, you'll experience these values each time you use your wine cooler. That's important, because your new appliance will be part of your family for a long time.

Start Here!...Before using your Wine Cooler

Write down the model and serial numbers here. They are on a label located on the back of the wine cooler.

Model number **DWC516BLS**

Serial number _____

Date purchased _____

Staple your receipt to the inside back cover of this manual. You will need it to obtain service under warranty.

NEED HELP?

Before you call for service, there are a few things you can do to help us serve you better...

Read this manual

It contains instructions to help you use and maintain your wine cooler properly.

If you received a damaged appliance

Immediately contact the dealer (or builder) that sold you the wine cooler.

Save time and money

Check the Trouble Shooting section before calling. This section helps you solve common problems that may occur.

If you do need service, you can relax knowing help is only a phone call away.

Tel: 1-800-26-**Danby**[®]

IMPORTANT SAFETY INFORMATION

READ ALL SAFETY INFORMATION BEFORE USING

WARNING

DANGER, RISK OF CHILD ENTRAPMENT!

An empty wine cooler is a very dangerous attraction to children. Remove either the gasket, latches, lids, lock and/or doors from unused or discarded appliances, or take some other action to guarantee it harmless.

DON'T WAIT, DO IT NOW!

To reduce the risk of fire, burns, electric shock, or injury to persons when using your appliance, follow basic precautions, including the following sections;

SAFETY PRECAUTIONS

• This appliance is intended for household use only. Do not attempt to operate or store this appliance outdoors.

• This appliance must be grounded. Connect only to a properly grounded outlet. See "Grounding Instructions" section on page 4.

• Do not operate this appliance if it has a damaged power cord or plug, if it is not working properly, or if the appliance has been damaged or dropped.

• Do not splice the power cord that is equipped with this appliance.

• Keep power cord away from heated surfaces.

• Do not immerse power cord, plug or the appliance itself in water.

• Do not use this product near water-for example, in a wet basement, near a swimming pool or near a sink.

• Do not use corrosive chemicals or vapors in this appliance.

• Use this appliance only for it's intended use, as described in this manual.

• Do not store perishable food items such as (but not limited to) meats and dairy products in your wine cooler.

• Store wine in sealed bottles only.

• See door surface cleaning instructions in the Care and Cleaning section(s) of this manual.

• Do not cover or block any openings on the appliance.

• This appliance should be serviced only by qualified service personnel. Contact the nearest authorized service facility for examination, repair or adjustment.

SAVE THESE INSTRUCTIONS!

IMPORTANT SAFETY INFORMATION

GROUNDING INSTRUCTIONS

WARNING

Improper use of the grounding plug can result in a risk of electric shock.

This appliance must be grounded. In the event of an electrical short circuit, grounding reduces the risk of electric shock by providing an escape wire for the electric current.

This appliance is equipped with a power cord having a grounding wire with a grounding plug. The plug must be plugged into an outlet that is properly installed and grounded.

Consult a qualified electrician or service technician if the grounding instructions are not completely understood, or if doubt exists as to whether the appliance is properly grounded.

If the outlet is a standard 2-prong wall outlet, it is your personal responsibility and obligation to have it replaced with a properly grounded 3-prong wall outlet.

For best operation, plug this appliance into its own electrical outlet to prevent flickering of lights, blowing of fuse or tripping of circuit breaker.

Do not under any circumstances cut or remove the third (ground) prong from the power cord.

Do not use an adapter plug with this appliance.

Do not use an extension cord with this appliance. If the power cord is too short, have a qualified electrician or service technician install an outlet near the appliance.

Operating Instructions

Features of your Wine Cooler



1. Tempered Glass Door: Tinted for UV protection while still allowing for easy interior viewing.

2. Electronic Controls: For regulating the temperature of the wine cooler.

3. Magnetic Door Gasket: Tight fitting seals retain all the cooling power and humidity levels.

4. Shelves: Partially slide out for easy access to your wine.

5. Child Proof Lock

6. Front Mounted Exhaust: Allows for integrated (built-in) applications.

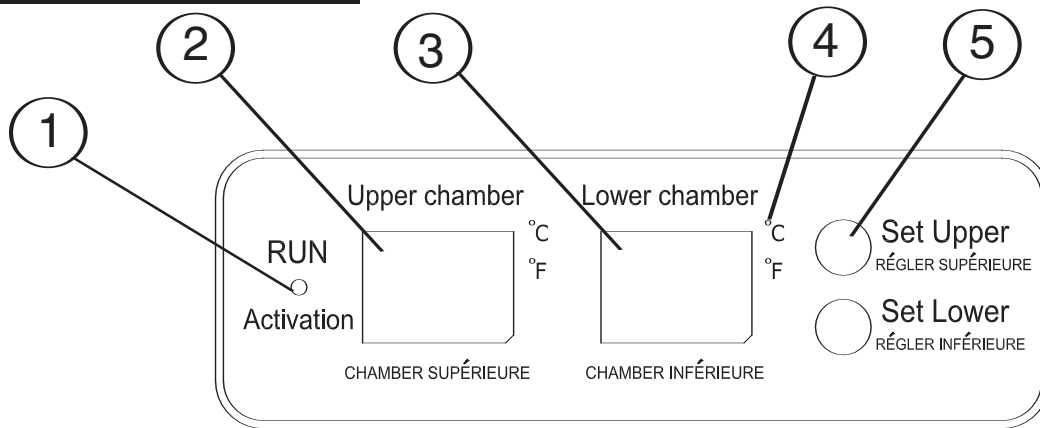
7. Interior Light Toggle Switch: To manually illuminate/extinguish the interior lights, while door remains closed.

8. Leveling Legs

9. Interior Lights (*not shown*): Illuminates the compartment when the door is opened.

Operating Instructions

The Controls of your Wine Cooler



- 1. Run:** Indicator light illuminates to signify the cooling mode is currently in operation.
- 2. Upper Chamber Display:** Display screen shows current cabinet temperature and set temperature of the upper zone.
- 3. Lower Chamber Display:** Display screen shows current cabinet temperature and set temperature of the lower zone.
- 4. C° / F°**
Adjacent indicator light denotes which scale of temperature is displayed.
- 5. 'Set Upper' Button** - Used to set the temperature in the upper zone (see 'Setting the Temperature below').
'Set Lower' Button - Used to set the temperature in the lower zone (see 'Setting the Temperature below').

Setting the Temperature

When you plug in your wine cooler for the first time, the temperature will automatically be set to 45°F (7°C) and 54°F (12°C) in the lower and upper compartments respectively, and will be displayed in the Fahrenheit scale

- To switch the display between the Fahrenheit (°F) and Celsius (°C) scale, depress the 'Set Upper' and 'Set Lower' control buttons simultaneously for approximately five (5) seconds.

- The temperature range can be set as low as 39°F (4°C) or as high as 64°F (18°C) to suit your specific wine storage requirements. Each depression of the 'Set Upper' or 'Set Lower' button will allow you to adjust the temperature in 1° degree increments within the aforementioned range.

- You may view your 'set' temperature at any time by briefly depressing either the 'Set Upper' or 'Set Lower' button. The *set* temperature will flash in the display area for 5 seconds before the display resumes showing the *current* cabinet temperature.

Please note: In the event of a power failure or interruption, all modified settings are lost and the default settings are used once power resumes.

Operating Instructions

Wine Storage

The * *maximum* capacity of the DWC516 is 51 (750ml) wine bottles.

* *When stocked as per instructions and when the humidors are not in use.*

In order to achieve the maximum storage capacity of fifty-one (51) bottles, it will be necessary to position the bottles alternately on the upper five (5) shelves, as shown in **Fig A**. This will allow for the storage of nine (9) **750 ml** bottles per shelf in each of the top five shelves, and six (6) bottles on the bottom shelf (**Fig B**) for a total storage capacity of fifty-one (51) wine bottles.

If humidity conditions are low, it will be necessary to use the humidors. Fill the humidors about 3/4 full with fresh water, and place one humidor on the bottom shelf of each section. Check the water level occasionally and refill as necessary.

NOTE: The use of the humidors will reduce the storage capacity of the shelves on which they are placed on by

Fig A

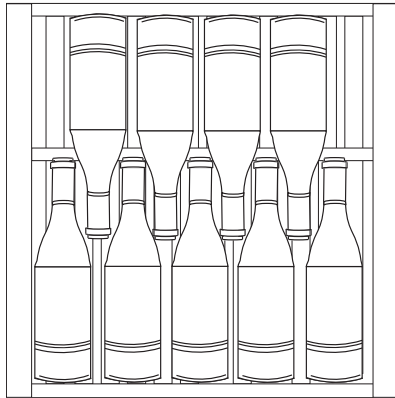
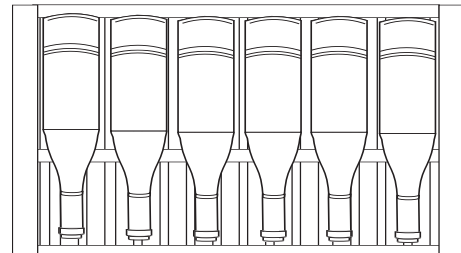


Fig B



Shelf Instructions

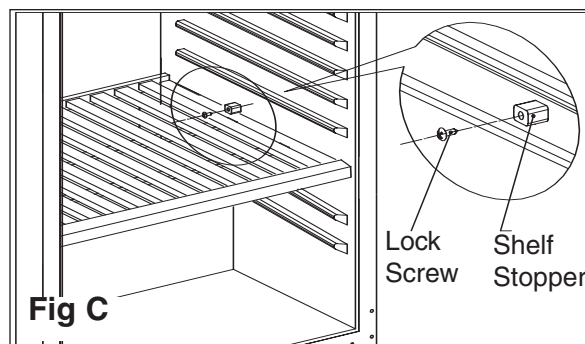
IMPORTANT!

Do not cover shelves with aluminum foil or any other material that will prevent adequate air circulation within the cabinet.

To remove a shelf from its locked position, remove the shelf stoppers located on either side of the shelf as shown in Fig C, and pull outward.

To re-install, ensure the shelf is resting securely on the support brackets and push the shelf in completely, then re-install the shelf stoppers.

Please Note: The bottom shelf is not secured in place (locked). Do not attempt to pull on the shelf when it is stocked.

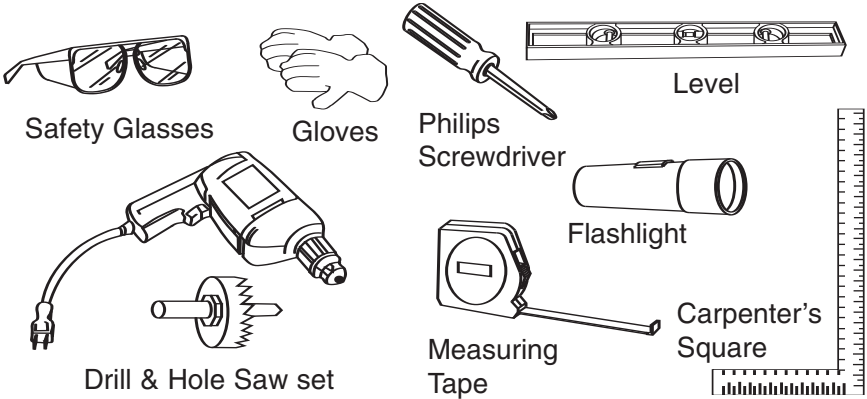


Installation Instructions - Integrated Application

Tools You Will Need

FOR YOUR SAFETY:

While performing installations described in this section, gloves, safety glasses or goggles should be worn.



Preparing the Enclosure

Electrical Requirements:

The appliance must be connected to an individual properly grounded electrical outlet, protected by a 15 ampere circuit breaker or time delay fuse.

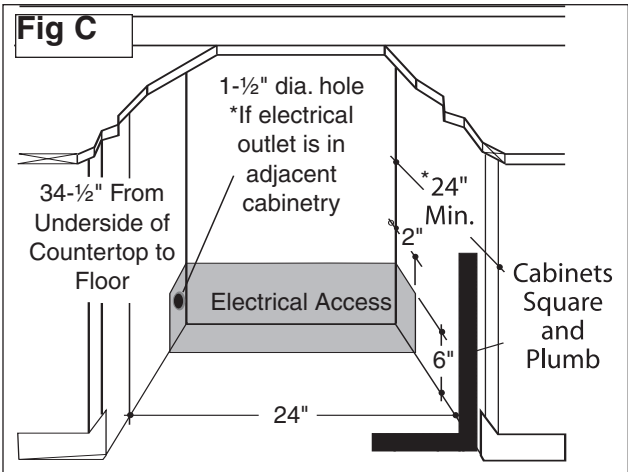
Important: It is recommended that you install the wine cooler in a location that allows the door to have a greater than 45° opening swing. A limited door swing will prevent the shelves from sliding out as intended, and may lead to damaging the door gasket.

- The rough cabinet opening must be on a level floor area and at least 24" deep* by 12-1/2" wide. The opening should also have a height of at least 34-1/2".

- The electrical outlet may be positioned from within either side of the adjacent cabinetry, or the rear of the shaded area (as shown in Fig C.).

Note: If the electrical outlet is surface mounted (not flush) within the enclosure, the *depth* requirement for the installation will be affected.

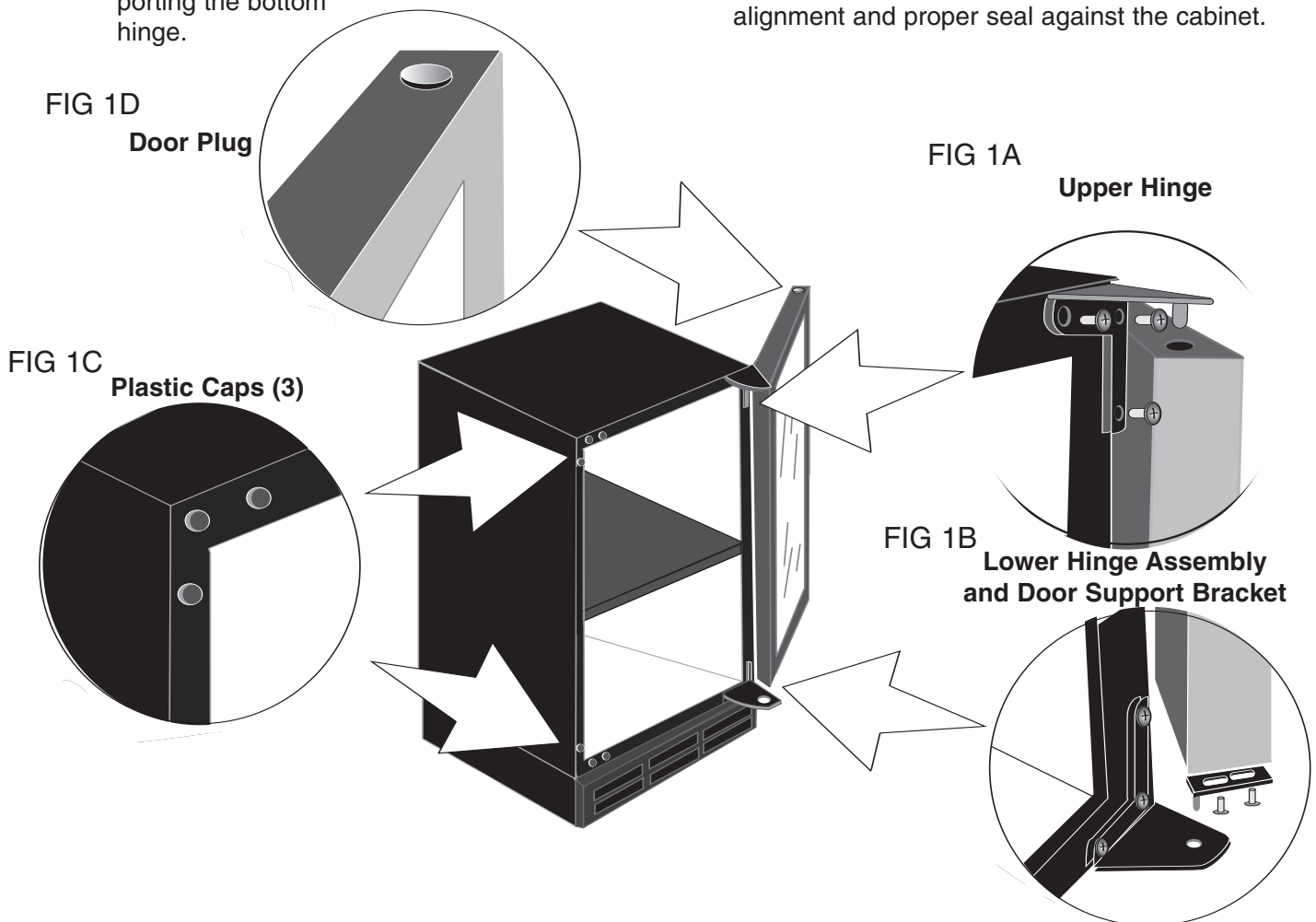
- If the electrical outlet is located inside the adjacent cabinetry, cut a 1-1/2" diameter hole to admit the power cord.



*The listed depth requirement for the installation is assuming that the electrical outlet is located in the adjacent cabinetry or is flush mounted in the rear wall, not surface mounted in the enclosure.

Installation Instructions - Door Swing Reversal

1. Unplug the unit from electrical outlet (if connected) and lay it on it's back.
2. Open the door until the screws securing the lower door support bracket are exposed on the bottom of the door (**Fig 1B**).
3. Remove the screw that is closest to the hinge assembly and gently close the door to remove the remaining screw from the support bracket.
4. Swing the door slightly towards the left side in order to remove the support bracket from the door and the lower hinge assembly.
5. Pull the door downward to remove it from the cabinet of the wine cooler.
6. Remove the cap from the top left side of the door (**Fig 1D**) and reinstall it on the top right side.
7. Remove the three (3) screws supporting the top hinge (**Fig 1A**) and the three (3) screws supporting the bottom hinge.
8. Remove the plastic caps from the left side of the frame (**Fig 1C**) and reinstall them on the right side of the frame (the previous hinge location).
9. Install the new left hand hinge assembly (supplied with unit) on the left side of the frame.
10. Insert the lower door support into the left side bottom hinge.
11. Carefully reposition the door firstly into the left side upper hinge assembly then onto the lower door support bracket.
12. While the door remains closed install the first screw into the lower support bracket.
13. Open the door and install the screw that is closest to the hinge assembly.
14. Close the door and return the unit into it's upright position (**wait 60 mins before reconnecting power to the wine cooler**), verify the door alignment and proper seal against the cabinet.



Care and Cleaning

Helpful Hints

Allow the wine cooler door to remain open for a few minutes after manual cleaning to air out and dry the inside of the wine cooler cabinet.

NOTE: Be certain the power is off before cleaning any part of this appliance.

How to Clean the Inside

Never use any commercial, abrasive cleaners or sharp objects on any part of wine cooler.

Walls, Floor, Inside Window, and Shelves

Water deposits and dust can be removed with a damp cloth.

Humidors

Wash carefully in warm, sudsy water. The humidor can be broken if dropped.

IMPORTANT:

To avoid breakage, do not place Humidor into hot water immediately upon removing from a chilled wine cooler cabinet.

How to Clean the Outside

Do not use cleaners containing ammonia or alcohol on the wine cooler.

Ammonia or alcohol can damage the appearance of the appliance.

Outer Case

It's important to keep the area clean where the door seals against the cabinet. Clean this area with a sudsy cloth. Rinse and then dry.

Door surface

Use only mild, non-abrasive detergents applied with a clean sponge or soft cloth. Rinse well.

Control Panel and Door

Wipe with a damp cloth and dry thoroughly. Do not use cleaning sprays, large amounts of soap and water, abrasive or sharp objects on the any part of your wine cooler, they can damage it.

Trouble Shooting

Before You Call For Service

Problem	Possible Cause	What to do
No Power.	A fuse in your home may be blown or the circuit breaker tripped	Replace fuse or reset circuit breaker.
	Power surge	Unplug the wine cooler, wait a few seconds and then plug it back in.
	Plug not fully inserted into wall outlet	Make sure the 3-prong plug on the wine cooler is fully inserted into outlet.
Cabinet Temperature too High	Temperature setting	Verify the temperature control setting. adjust if necessary.
	Door not shut properly or opened excessively	Ensure that the door is fully closed and that the gasket is sealing against the cabinet. Open the door only as needed and for short periods of time.
	Exhaust vent is obstructed	Verify there is nothing blocking the front mounted exhausting vent.
	Recently added a large quantity of warm bottles to the cabinet	Limit the quantity of warm bottles being introduced to the cabinet at the same time. Attempt to phase in the load introduction if possible.
Condensation on the cabinet and/or door	High humidity conditions in the home	The condensation will subside once humidity conditions return to normal.
	Door not shut properly or opened excessively	Ensure that the door is fully closed and that the gasket is sealing against the cabinet. Open the door only as needed and for short periods of time.

If none of the above rectify the situation please contact our customer service department at 1-800-26-**Danby**[®] (1-800-263-2629).

Danby

Silhouette

LIMITED WINE COOLER WARRANTY

This quality product is warranted to be free from manufacturer's defects in material and workmanship, provided that the unit is used under the normal operating conditions intended by the manufacturer.

This warranty is available only to the person to whom the unit was originally sold by Danby or by an authorized distributor of Danby, and is non-transferable.

TERMS OF WARRANTY

Plastic parts, are warranted for thirty (30) days only from purchase date, with no extensions provided.

First 24 Months During the first twenty-four (24) months, any electrical parts of this product found to be defective, including any sealed system units, will be repaired or replaced, at warrantor's option, at no charge to the ORIGINAL purchaser.

Additional 36 Months During the next thirty six (36) months any part of the sealed system found to be defective (consisting of compressor, condenser, evaporator, dryer and all related tubing) will be replaced without charge. The purchaser shall pay for all labor and return freight during this period for repair or replacement of any sealed system components. Any unit being diagnosed as non-functional due to sealed system failure and warranting an exchange will be subject to an appropriate depreciation or user fee, including any and all freight charges being levied against the consumer.

To obtain Service Danby reserves the right to limit the boundaries of "In Home Service" to the proximity of an Authorized Service Depot. Any appliance requiring service outside the limited boundaries of "In Home Service", it will be the consumer's responsibility to transport the appliance (at their own expense) to the original retailer (point of purchase) or a service depot for repair. Contact your dealer from whom your unit was purchased, or contact your nearest authorized Danby service depot, where service must be performed by a qualified service technician. If service is performed on the units by anyone other than an authorized service depot, or the unit is used for commercial application, all obligations of Danby under this warranty shall be at an end.

Nothing within this warranty shall imply that Danby will be responsible or liable for any spoilage or damage to wine or other contents of this appliance, whether due to any defect of the appliance, or its use, whether proper or improper.

EXCLUSIONS

Save as herein provided, Danby Products Limited (Canada) or Danby Products Inc. (U.S.A.), there are no other warranties, conditions, representations or guarantees, express or implied, made or intended by Danby Products Limited or its authorized distributors and all other warranties, conditions, representations or guarantees, including any warranties, conditions, representations or guarantees under any Sale of Goods Act or like legislation or statute is hereby expressly excluded. Save as herein provided, Danby Products Limited (Canada) or Danby Products Inc. (U.S.A), shall not be responsible for any damages to persons or property, including the unit itself, howsoever caused or any consequential damages arising from the malfunction of the unit and by the purchase of the unit, the purchaser does hereby agree to indemnify and save harmless Danby Products Limited from any claim for damages to persons or property caused by the unit.

GENERAL PROVISIONS

No warranty or insurance herein contained or set out shall apply when damage or repair is caused by any of the following:

- 1) Power Failure.
- 2) Damage in transit or when moving the appliance.
- 3) Improper power supply such as low voltage, defective house wiring or inadequate fuses.
- 4) Accident, alteration, abuse or misuse of the appliance such as inadequate air circulation in the room or abnormal operating conditions, (extremely high or low room temperature).
- 5) Use for commercial or industrial purposes.
- 6) Fire, water damage, theft, war, riot, hostility, acts of God such as hurricanes, floods etc.
- 7) Service calls resulting in customer education.

Proof of purchase date will be required for warranty claims; so, please retain bills of sale. In the event warranty service is required, present this document to our AUTHORIZED SERVICE DEPOT.

Warranty Service

In Home Service

Danby Products Limited
PO Box 1778, 5070 Whitelaw RD, Guelph, Ontario, Canada N1H 6Z9
Telephone: (519) 837-0920 FAX: (519) 837-0449

Danby Products Inc.
PO Box 669, 101 Bentley Court, Findlay, Ohio, U.S.A. 45840
Telephone: (419) 425-8627 FAX: (419) 425-8629

TABLE DES MATIÈRES

Informations de sécurité importantes

15

Précautions	15
Instructions de mise à la terre	16

Instructions de fonctionnement

17

Caractéristiques de votre refroidisseur de vin	17
Commandes de votre refroidisseur de vin	18
Réglage de la température	18
Entreposage des Vins	19
Instruction pour tablette	19

Instructions d'installation

20

Outils nécessaires	20
Préparation de l'enceinte	20
Renversement de la Porte	21

Soin et nettoyage

22

Informations utiles	22
Comment nettoyer l'intérieur	22
Comment nettoyer l'extérieur	22

Dépannage

23

Avant de placer un appel de service	23
Garantie	24

BIENVENUE

Bienvenue dans la famille Danby. Nous sommes fiers de nos produits de qualité et croyons au bien fondé de fournir une assistance fiable à nos clients.

Vous le découvrirez par ce guide facile d'utilisation et vous pourrez l'entendre en provenance des voix amicales de notre service d'assistance à la clientèle. Tél.: 1-800-26-**Danby**[®]

Mais, ce qui est encore mieux, vous pourrez bénéficier de ces valeurs à chaque utilisation de votre refroidisseur de vin. Ceci est important parce que votre nouvelle appareil fera partie de votre famille pour longtemps.

Point de départ...AVANT d'utiliser votre Cabinet à Vin

Enregistrez ici les numéros de modèle et de série. Ces numéros se trouvent sur l'étiquette au dos de l'appareil.

Agrafez votre reçu d'achat à l'intérieur de la couverture arrière de de guide. Il sera requis pour faire une réclamation de la garantie.

Numéro de modèle **DWC516BLS**

Numéro de série _____

Date d'achat _____

EN CAS DE BESOIN D'ASSISTANCE

Voici quelques contributions que vous pouvez effectuer avant de faire un appel de service, pour nous aider à mieux vous servir :

Lisez ce guide

Il comprend des instructions pour vous assister à l'utilisation et l'entretien adéquats de votre refroidisseur de vin.

Si votre appareil neuf est avarié

Communiquez immédiatement avec le revendeur (ou le fabricant).

Épargnez temps et argent

Avant de faire un appel de service, révisez le chapitre intitulé "Dépannage". Ce chapitre vous aidera à solutionner des problèmes communs qui pourraient survenir. Si une réparation est requise, vous pouvez avoir l'esprit tranquille parce que de l'aide ne sera l'affaire que d'un appel téléphonique.

Tél.: 1-800-26-**Danby**[®]

INFORMATIONS DE SÉCURITÉ IMPORTANTES

LISEZ TOUTES LES INFORMATIONS DE SÉCURITÉ AVANT DE FAIRE FONCTIONNER L'APPAREIL

AVERTISSEMENT

DANGER, RISQUE DES ENFANTS DEVIENNENT COINCER DANS L'APPAREIL

Un refroidisseur de vin vide est une attraction dangereuse aux enfants. Enlever les joints étanches, les loquets, les couvercles ou les porte des appareils qui ne sont pas utiliser, ou faites de soit que l'appareil ne présente aucun danger.

N'ATTENDEZ PAS! FAITES-LE IMMEDIATEMEN!

Pour minimiser le risque d'incendie, de brûlures, de chocs électriques ou de blessures, suivez les chapitres suivants en plus d'appliquer les précautions de base.

PRÉCAUTIONS

- *Cet appareil est conçu pour un usage domestique à l'intérieur seulement. N'entrez pas cet appareil à l'extérieur.*
- Cet appareil doit être mis à terre. Branchez le seulement dans une prise correctement mise à la terre. Référez-vous au chapitre intitulé "Instructions de mise à la terre" à la page 16.
- Ne faites pas fonctionner cet appareil s'il a un cordon ou fiche électrique endommagé, s'il ne fonctionne pas correctement, ou si l'appareil a été endommagé ou échappé.
- N'épissez pas le cordon électrique
- Gardez le cordon électrique éloigné des sources de chaleur.
- N'immersez pas le cordon ou sa fiche dans aucun liquide.
- N'utilisez pas cet appareil près de bassins d'eau, par exemple dans un sous-sol détrempe, près d'une piscine ou d'un évier.
- N'utilisez pas de produits chimiques ou vapeurs corrosives dans/près de cet appareil.
- N'utilisez cet appareil que pour les fins auxquelles il est conçu comme indiqué dans ce guide.
- Ne placez pas les articles périssables de nourriture dans votre refroidisseur de vine. (Pour exemple, les viandes et les produits laitiers)
- Entrez le vin dans des bouteilles scellées seulement.
- Référez-vous aux instructions de nettoyage du fini de la porte se trouvant au(x) chapitre(s) de Soins et nettoyage de ce guide.
- Ne recouvrez pas ou n'obstruez aucune ouverture de l'appareil.
- Cet appareil ne devrait être réparé que par du personnel qualifié. Pour tout examen, réparation ou réglage, contactez votre centre de service le plus rapproché.

SAUVEGARDEZ CES INSTRUCTIONS!

INFORMATIONS DE SÉCURITÉ IMPORTANTES

INSTRUCTIONS DE MISE À LA TERRE

AVERTISSEMENT

Une mauvaise utilisation de la mise à la terre de la fiche constitue un danger d'électrocution.

Cet appareil doit être mis à la terre. Dans l'éventualité d'un court-circuit, la mise à la terre procure un chemin direct de contournement du courant pour prévenir l'électrocution des manipulateurs de l'appareil.

Cet appareil est muni d'un cordon comprenant une fiche et fil de mise à la terre.

La fiche doit être branchée dans une prise correctement installée et mise à la terre.

Si les directives de mise à la terre ne sont pas tout à fait comprises ou en cas de tout doute relatif à la mise à la terre appropriée de l'appareil, faites appel à un électricien ou à un technicien qualifié.

Si la prise murale est une prise à 2 branches, c'est votre obligation, et la responsabilité vous en incombe, de la faire remplacer par une prise à trois branches adéquatement mise à la terre.

Pour un meilleur rendement et pour éviter que les ampoules d'éclairage de la résidence soient affectées d'un affaissement de tension, ou que le fusible ou disjoncteur du circuit ne grille ou ne se déclenche, dédiez un circuit individuel d'alimentation à la machine à glaçons (prise (double) unique sur le circuit).

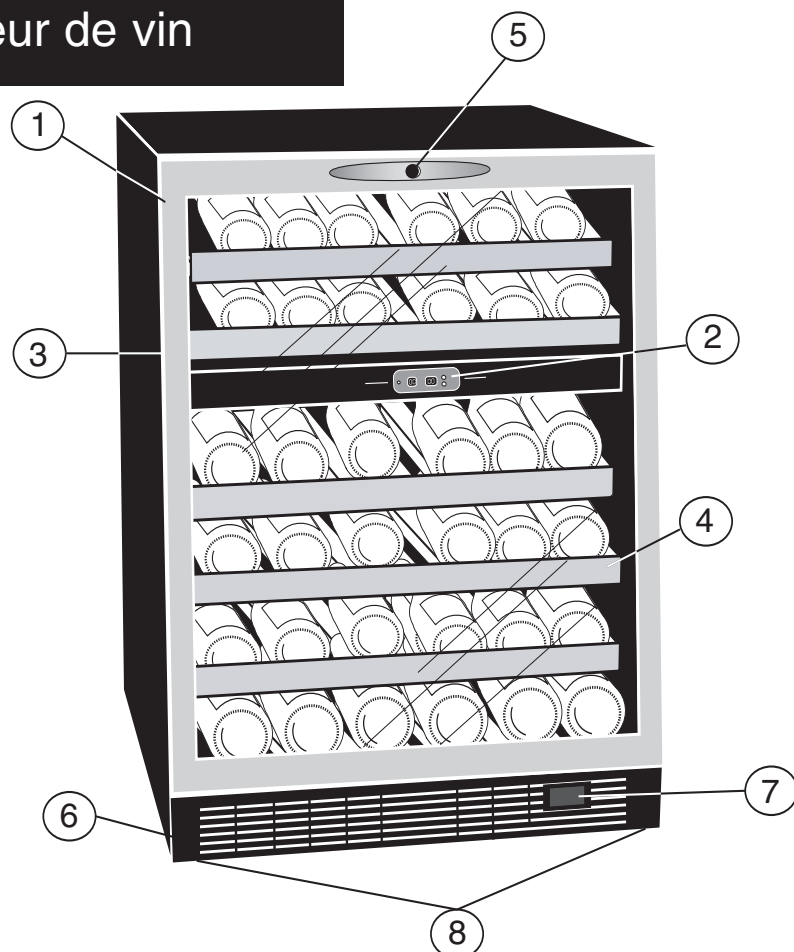
Sous aucun prétexte il est permis de couper ou d'enlever la troisième branche (mise à la terre) de la fiche du cordon électrique.

N'utilisez pas d'adaptateur de fiche avec cet appareil.

N'utilisez pas de cordon de rallonge avec cet appareil. Si le cordon électrique de l'appareil ne rejoint pas la prise murale, faites installer une prise plus rapprochée par un électricien ou un technicien qualifié.

Instructions de fonctionnement

Caractéristiques de votre refroidisseur de vin



1. Porte en Verre Trempé: Teinté pour protéger contre les rayons UV tout en permettant de voir facilement le contenu du cabinet.

2. Contrôles Électroniques: Régulation de la température du refroidisseur de vin.

3. Joint Étanche Magnétique: Le joint étanche permet de conserver le niveau de température et d'humidité à l'intérieur du cabinet.

4. Tablette: Les tablettes coulissantes facilitent l'accès au vin.

5. Verrou à l'épreuve des enfants

6. Échappement sur le Devant: Pour des applications intégrées

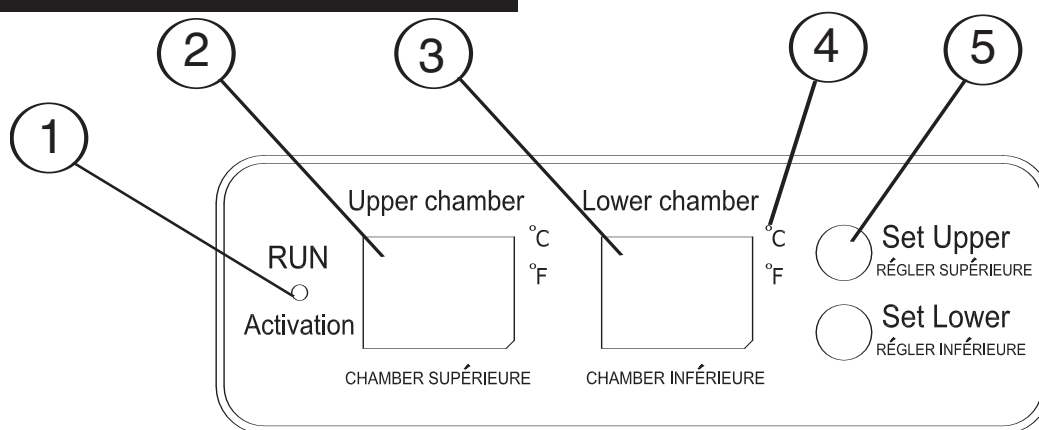
7. Interrupteur à Bascule: Manuellement illuminer ou éteignez les lumières intérieures tandis que le porte restent fermée.

8. Pieds Adjustables

9. Lumière Intérieures (*non illustré*): S'allume lorsqu'on ouvre la porte du cabinet.

Instructions de fonctionnement

Commandes de votre refroidisseur de vin



- 1. Activation:** Le voyant s'allume pour indiquer que le cycle de refroidissement est présentement en marche.
- 2. Affichage du Chambre Supérieure:** L'écran affiche le température courante du chambre supérieure et la température demandée par réglage.
- 3. Affichage du Chambre Inférieure:** L'écran affiche le température courante du chambre Inférieure et la température demandée par réglage.
- 4. C° / F°:** Le voyant situés à côté, dénote quelle balance de la température est montrée.
- 5. 'Réglage Supérieure':** Réglez la température du chambre supérieure par intervalle de un degré (référez-vous au "Réglage du température" ci-dessous).
'Réglage Inférieure': Réglez la température du chambre inférieure par intervalle de un degré (référez-vous au "Réglage du température" ci-dessous).

Réglage du température

Le réglage par défaut du thermostat du refroidisseur de vin est 45°F (7°C) et 54°F (12°C) dans les compartiments inférieure et supérieure respectivement température est affichée en Fahrenheit (°F).

- Pour changer l'affichage entre la température en Celsius (°C) et la la température en Fahrenheit (°F) appuyez sur les bouton de control 'Réglage Supérieure' et 'Réglage Inférieure' en même temps pour environ 5 secondes.

- La température pour le compartiment peut être ajustée aussi basse que 39°F (4°C) ou aussi haut que 64°F (18°C) pour satisfaire à vos besoin spécifiques pour votre entreposage de vin. Chaque pression du bouton commande 'Réglage Supérieure' ou 'Réglage Inférieure' vous permettra d'ajuster la température par intervalle de un degré (1°) dans la marge mentionnée ci-dessus.

- Pour voir le réglage de la température (peu importe le moment), appuyez sur le bouton de control 'Réglage Supérieure' ou 'Réglage Inférieure'. La température réglée clignotera dans la fenêtre d'affichage pendant environ 5 secondes et reviendra alors automatiquement à l'affichage de la température ambiante de la pièce.

Note: En cas de panne de courant, les réglage de température les plus récents sont perdu et les réglage de défaut son reconstitué une fois que l'alimentation de courant est rétablie.

Instructions de fonctionnement

Entreposage des vins

La capacité **maximum* du DWC516 est 51 bouteilles du vin (750ml).

*** Quand il est stocké en utilisant les instructions fournies et quand les réservoir d'humidité ne sont pas en service**

Afin de réaliser la capacité d'entreposage maximum de cinquante un (51) bouteilles de vin, il sera nécessaire de placer les bouteilles alternativement sur les cinq tablettes supérieures, comme montré dans la Fig A. Ceci permettra l'entreposage de neuf (9) bouteilles de **750 ml** dans chacune des cinq étagères supérieures, et six (6) bouteilles sur l'étagère inférieure (Fig B.) pour une capacité totale de entreposage de cinquante un (51) bouteilles de vin.

Si le niveau d'humidité est bas dans l'un ou l'autre des compartiments, il sera nécessaire d'utiliser les réservoirs d'eau. Remplissez les réservoirs d'eau environ 3/4 d'eau doux, et placez la sur le tablette inférieure dans chaque compartiment. Vérifiez le niveau d'eau de temps en temps et le remplissez comme nécessaire.

NOTE: L'utilisation du le réservoir d'humidité réduira la capacité de stockage des tablettes sur lesquelles ils sont placés par une bouteille.

Fig A

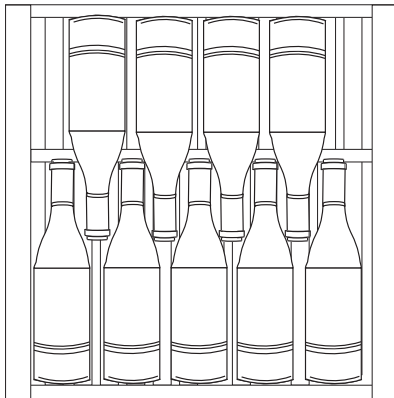
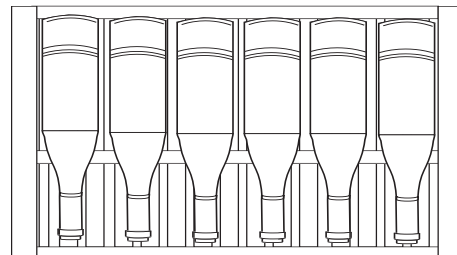


Fig B



Instructions des tablettes

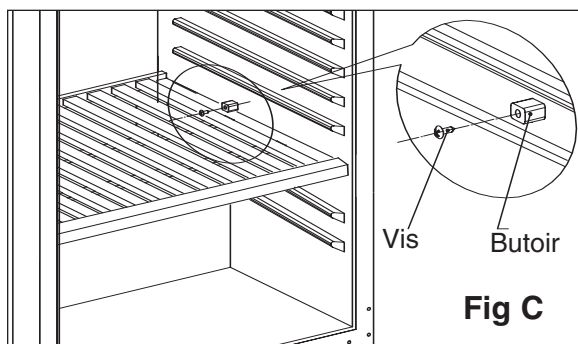
ATTENTION!

Ne couvrez pas les tablettes avec du papier d'aluminium ou avec d'autres matériaux pour les tablettes pour ne pas nuire à la circulation de l'air.

Pour enlever une tablette de la position verrouillée, enlève les butoirs situés de chaque côté de l'étagère comme montré dans la figure C et tire à l'extérieur.

Pour réinstaller, assurez l'étagère se repose sur les supports et poussée la tablette vers l'intérieur jusqu'à ce qu'elle soit verrouillée en place.

Svp Note: Le tablette inférieure n'est pas fixées en place (verrouillée en place). N'essayez pas de tirer sur le support quand elle est stockée.

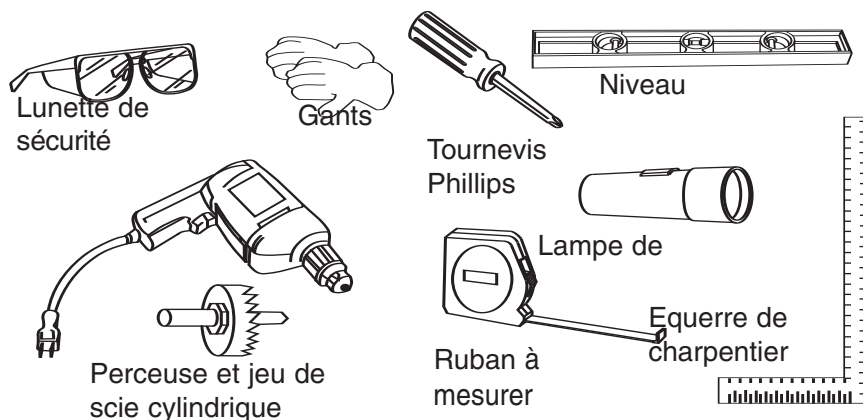


Instructions d'installation - Application Intégré

Outils nécessaires

POUR VOTRE SÛRETÉ:

En faire les installations décrites dans cette section, des gants, les lunettes de sécurité devraient être portés.



Préparation de l'enceinte

Alimentation:

Cet appareil doit être raccordé à un circuit de dérivation individuel correctement mis à la terre, protégé par un disjoncteur de 15 ampères ou d'un fusible temporisé.

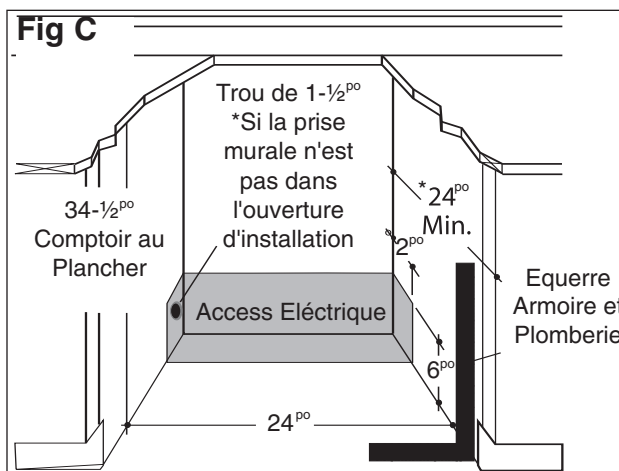
- Nous recommandons que vous n'installiez pas le refroidisseur de vin dans un coin (directement près d'un mur). Ceci permettrait aux portes d'avoir une oscillation plus grande que 45°. Une oscillation d'ouverture qui est limitée, empêchera les étagères de glisser dehors comme supposé, et peut endommager la garniture de porte., empêchera les étagères de glisser dehors comme supposé, et peut endommager la garniture de porte.

- L'ouverture brute de l'armoire doit être sur une surface niveau avec le plancher et d'au moins

24 po de profondeur par 24" largeur. L'ouverture devrait être à une hauteur maximale de 34-1/2 po.

- La prise murale peut être placée de l'un ou l'autre côté si la prise murale n'est pas dans l'ouverture d'installation, ou de l'arrière du secteur ombragé (comme montré dans fig C.).

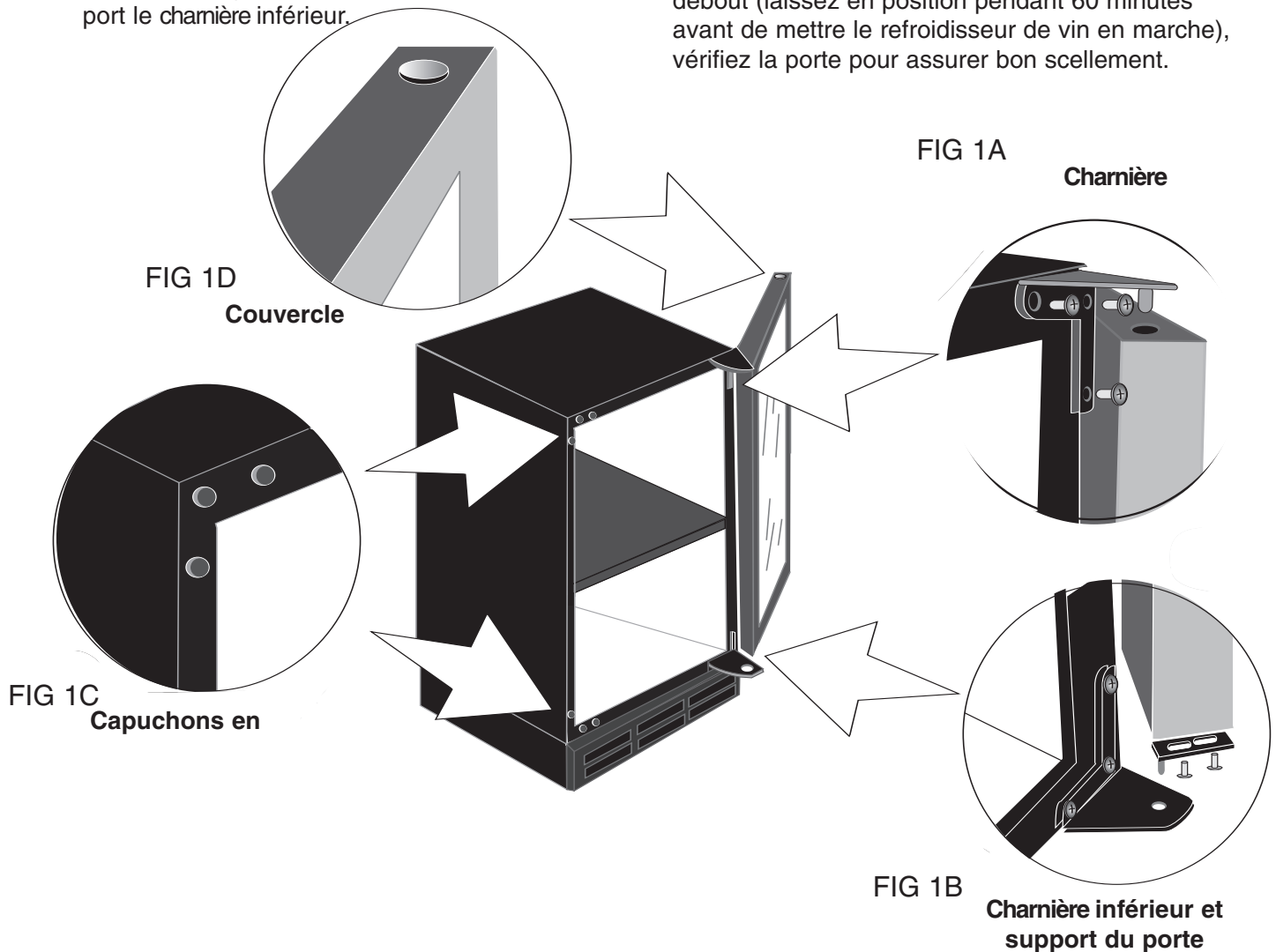
- Si la prise murale est dans l'autre armoire, percez un trou de 1 po 1/2" de diamètre afin d'insérer le câble électrique. Si l'armoire est faite de métal, le bord du trou doit être couvert d'une bague ou d'un passe-câble.



* Le requirment de profondeur pour l'installation suppose que la prise murale est localisée dans une autre armoire ou est monté dans le mur, pas monté sur la surface dedans l'ouverture .

Instructions d'installation - Renversement de la Porte

1. Débranche l'appareil et placez la sur son dos.
2. Ouvrez la porte jusque les deux vis retenant le support inférieur sont visible sur le bas du porte (**Fig 1B**).
3. Retirez la vis la plus proche du charnière inférieur et ferme la porte pour retirez l'autre vis de la support inférieur.
4. Déplace la porte légèrement vers le côté gauche pour enlever le support de la charnière inférieur et la porte.
5. Enlevez la porte du cabinet par le tirer vers le bas.
6. Enlevez le couvercle du côté gauche supérieur de la porte (**Fig 1D**) et réinstallez-le sur le côté opposé.
7. Retirez les trois (3) vis qui support le charnière supérieur. (**Fig 1A**) et les les trois (3) vis qui support le charnière inférieur.
8. Enlevez les capuchons en plastique sur le côté gauche (**Fig 1C**) et réinstallez-les sur le côté opposé. (là où vous avez retiré le charnière).
9. Installez le nouveau montage de charnière (fourni avec l'appareil) sur le côté gauche.
10. Insérez le support inférieur dans la charnière inférieur sur le côté gauche.
11. Remplacez soigneusement la porte premièrement dans la charnière supérieure (de côté gauche) puis sur le support inférieur.
12. Avec le porte fermés, installez la première vis sur le support inférieur.
13. Ouvrez la porte et installez la vis qui est la plus proche de la charnière inférieur.
14. Fermez la porte et remettez le cabinet à debout (laissez en position pendant 60 minutes avant de mettre le refroidisseur de vin en marche), vérifiez la porte pour assurer bon scellement.



Soins et entretien

Conseils utiles

Laissez la porte de la machine ouverte durant quelques minutes pour aérer et assécher l'intérieur de l'armoire après nettoyage.

NOTE : Avant de nettoyer quelque partie que ce soit de cet appareil, assurez-vous que l'alimentation est coupée.

Comment nettoyer l'intérieur

N'utilisez jamais de nettoyant industriels sur aucune partie de votre refroidisseur de vin.

Parois, Plancher, Intérieur de la Visière et Tablettes

Certaines éclaboussures d'eau et poussières peuvent être essuyées avec des essuie-tout. D'autres taches peuvent nécessiter un linge humide.

Réservoirs D'Humidité

Lavez le délicatement à l'eau tiède et savonneuse.

IMPORTANT:

Pour ne pas qu'il brise, ne placez pas le réservoir dans l'eau chaude immédiatement après l'avoir enlevée du refroidisseur de vin.

Comment nettoyer l'extérieur

N'utilisez pas de produits nettoyants comprenant de l'ammoniaque ou de l'alcool sur la refroidisseur de vin.

L'ammoniaque ou l'alcool peuvent altérer le fini de l'appareil.

Extérieur de l'armoire

Il est important de garder la région de scellement de la porte sur l'armoire propre. Nettoyez avec un tissu savonneux, rincez le région et puis séchez

Surface du Porte

N'utilisez que des détergents doux, non abrasifs, appliqués avec une éponge propre ou un chiffon doux. Rincez abondamment.

Panneau de commande et Porte

Essuyez avec un chiffon humide. Asséchez bien avec un chiffon sec. N'utilisez pas de nettoyants en aérosol, de grandes quantités d'eau et de savon, d'abrasifs ou d'objets acérés sur le panneau, ceci pourrait l'endommager. Certains essuie-tout peuvent aussi égratigner le panneau de commande et verre de la porte.

En cas de panne

Avant de placer un appel de service

Problème	Cause possible	Ce qu'il faut faire
L'appareil n'est pas alimenté	Un fusible de votre panneau de distribution peut être grillé ou le disjoncteur déclenché	Remplacez le fusible ou réarmez le disjoncteur.
	Surtension	Débranchez la refroidisseur de vin et attendez quelques secondes, et puis rebranchez la.
	La fiche n'est pas complètement insérée dans la prise murale	Assurez-vous que la fiche à 3 branches de la refroidisseur de vin est complètement insérée dans la prise.
La température dans le cabinet est trop haute	Réglage du température	Vérifiez que la commande est réglée à la bonne arrangement.
	Le porte n'est pas fermée correctement ou est ouverte trop souvent	Assurez-vous que le porte est fermée et que le joint étanche est contre le coffret. Ouvrez le porte seulement quand nécessaire.
	L'échappement est obstrué	Vérifiez qu'il n'y a rien qui bloque l'échappement sur le devant .
	Stocké une grande quantité de bouteilles chaudes dans le cabinet	Limitez la quantité de bouteilles chaudes qui sont stockées dans le cabinet en même temps.. Essayez d'introduire progressivement des charge chaudes si possible
L'eau de condensation sur le coffret et/ou le porte	Niveau de humidité élevé dans la maison..	La formation de l'eau de condensation s'arrêtera quand le niveau.d'humidité retours à normale
	Le porte n'est pas fermée correctement ou est ouverte trop souvent	Assurez-vous que le porte est fermée et que le joint étanche est contre le coffret. Ouvrez le porte seulement quand nécessaire.

Si aucune des suggestions ci-dessus ne corrigent le problème, communiquez avec notre service d'assistance au **1-800-26 Danby® (1-800-263-2629)**

Danby

Silhouette

GARANTIE LIMITÉE DE RAFRAÎCHISSEURS DE VINS

Cet appareil de qualité est garanti exempt de tout vice de matière première et de fabrication, s'il est utilisé dans les conditions normales recommandées par le fabricant.

Cette garantie n'est offerte qu'à l'acheteur initial de l'appareil vendu par Danby ou par l'un des ses distributeurs agréés et elle ne peut être transférée.

CONDITIONS

Les pièces en plastique sont garanties pour trente (30) jours seulement à partir de la date de l'achat, sans aucune prolongation prévue.

Première 24 mois Pendant les première vingt quatre (24) mois, toutes pièces électriques de ce produit s'avèrent défectueuses, y compris les unités ayant des systèmes obturés, seront réparées ou remplacées, selon le choix du garant, sans frais à l'acheteur INITIAL.

36 Mois Supplémentaire Pendant les prochaines trente six (36) mois, les pièces s'avèrent défectueuses (y compris le: compresseur, condensateur, évaporateur, sécheuse, et tous leurs boyaux) seront remplacés sans frais. L'acheteur est responsable envers tous les frais de main-d'oeuvre et de transport pendant cette période pour la réparation et le rechange sur tous les composants du système obturé. Toute unité de diagnostic inadéquate due à un vice du système obturé et qui exige une unité de rechange subira un taux de dépréciation convenable ou à un frais pour l'acheteur. Ceci inclut tous les frais de transport qui seront imposés contre l'acheteur.

Pour bénéficier du service sous garantie Danby réserve le droit de limiter le rayon du "Service au domicile" selon la proximité d'un dépôt de service autorisé. Le client sera responsable pour le transport et tous les frais d'expédition de tout appareil exigeant le service en dehors des limites du "Service au domicile" au dépôt de service autorisé le plus proche. S'adresser au détaillant qui a vendu l'appareil, ou à la station technique agréée de service la plus proche, où les réparations doivent être effectuées par un technicien qualifié. Si les réparations sont effectuées par quiconque autre que la station de service agréée ou à des fins commerciales, toutes les obligations de Danby en vertu de cette garantie seront nulles et non avenues.

Cette garantie indique en aucun temps la responsabilité de Danby de l'avarie ou dommage de la vin ou autre contenu, soit par les vices de l'appareil, ou soit par l'utilisation convenable ou inexacte.

EXCLUSIONS

En vertu de la présente, il n'existe aucune autre garantie, condition ou représentation, qu'elle soit exprimée ou tacite, de façon manifeste ou intentionnelle, par Danby Products Limitée (Canada) ou Danby Products Inc. (E.- U. d'A.) ou ses distributeurs agréés. De même, sont exclues toutes les autres garanties, conditions ou représentations, y compris les garanties, conditions ou représentations en vertu de toute loi régissant la vente de produits ou de toute autre législation ou règlement semblables.

En vertu de la présente, Danby Products Limitée (Canada) ou Danby Products Inc. (E.- U. d'A.) ne peut être tenue responsable en cas de blessures corporelles ou des dégâts matériels, y compris à l'appareil, quelle qu'en soit les causes. Danby ne peut pas être tenue responsable des dommages indirects dus au fonctionnement défectueux de l'appareil. En achetant l'appareil, l'acheteur accepte de mettre à couvert et de dégager Danby Products Limitée de toute responsabilité en cas de réclamation pour toute blessure corporelle ou tout dégât matériel causé par cet appareil.

CONDITIONS GÉNÉRALES

La garantie ou assurance ci-dessus ne s'applique pas si les dégâts ou réparations sont dus aux cas suivants:

- 1) Panne de courant;
- 2) Dommage subis pendant le transport ou le déplacement de l'appareil;
- 3) Alimentation électrique incorrecte (tension faible, câblage défectueux, fusibles incorrects);
- 4) Accident, modification, emploi abusif ou incorrect de l'appareil;
- 5) Utilisation dans un but commercial ou industriel;
- 6) Incendie, dommage causés par l'eau, vol, guerre, émeute, hostilités, cas de force majeure (ouragan, inondation, etc.);
- 7) Visites d'un technicien pour expliquer le fonctionnement de l'appareil au propriétaire.

Une preuve d'achat doit être présentée pour toute demande de réparation sous garantie. Prière de garder le reçu. Pour faire honorer la garantie, présenter ce document à la station technique agréée.

Service sous-garantie

Service au domicile

Danby Products Limited
PO Box 1778, 5070 Whitelaw RD, Guelph, Ontario, Canada N1H 6Z9
Telephone: (519) 837-0920 FAX: (519) 837-0449

Danby Products Inc.
PO Box 669, 101 Bentley Court, Findlay, Ohio, U.S.A. 45840
Telephone: (419) 425-8627 FAX: (419) 425-8629

ÍNDICE

Información Importante de Seguridad

27

Precauciones de Seguridad	27
Instrucciones de Conexión a Tierra	28

Instrucciones de Operación

29

Características de su Heladera para Vinos	29
Controles de su Heladera para Vinos	30
Ajuste de Temperatura	30
Almacenamiento de Vinos	31
Instrucciones de los Estantes	31

Instrucciones de Instalación

32

Herramientas Necesarias	32
Preparación del Hueco	32
Inversión de Apertura de Puerta	33

Cuidado y Limpieza

34

Consejos Útiles	34
Cómo limpiar el Interior	34
Cómo limpiar el Exterior	34

Diagnóstico de Problemas

35

Antes de Llamar por Asistencia	35
Garantía	36

BIENVENIDO

Bienvenido a la familia Danby. Estamos orgullosos de nuestros productos de alta calidad y creemos en el servicio confiable.

Usted lo podrá apreciar en este manual fácil de usar, y lo escuchará en las voces amistosas de nuestro departamento de servicio al consumidor.
Tel.: 1-800-26-**Danby**®

Sobre todo, usted apreciará estas ventajas cada vez que use su heladera para vinos. Eso es importante, ya que su nuevo artefacto formará parte de su familia por mucho tiempo.

¡Comience Aquí! Antes de usar su Heladera para Vinos

Escriba aquí el modelo y el número de serie. Se encuentran en una etiqueta en la parte de atrás de la Heladera para Vinos.

Número de Modelo DWC516BLS

Número de Serie

Fecha de compra

Abroche su recibo en la parte de atrás de este manual. Lo necesitará para obtener servicio de garantía.

¿NECESITA AYUDA?

Antes de solicitar servicio, hay algunas cosas que puede hacer para ayudarnos a servirle mejor...

Lea este manual

Contiene instrucciones que lo ayudarán a mantener correctamente su heladera para vinos. Si usted recibe un artefacto dañado, llame inmediatamente al distribuidor (o constructor) que se lo vendió.

Ahorre tiempo y dinero.

Lea la sección de Diagnóstico de Problemas antes de llamar. Esta sección le ayudará a resolver problemas comunes que pudieran ocurrir.

Si necesita asistencia, no se preocupe y llámenos.

Tél.: 1-800-26-**Danby**®

INSTRUCCIONES IMPORTANTES DE SEGURIDAD

LEA TODAS LAS INSTRUCCIONES DE SEGURIDAD ANTES DE UTILIZARLA

ATENCIÓN

¡PELIGRO, LOS NIÑOS PODRÍAN QUEDAR ATRAPADOS!

Una heladera para vinos vacía es una atracción muy peligrosa para los niños. Remueva la junta, las trabas, la manija y/o las puertas de los artefactos que no se usen o se hayan desechado, o tome alguna otra medida para garantizar que sean inofensivos.

¡NO ESPERE, HAGA ESTO AHORA MISMO!

Para reducir el riesgo de incendio, quemaduras, descargas eléctricas o daños personales al usar su artefacto, siga las precauciones básicas incluidas en las secciones siguientes.

RECOMENDACIONES DE SEGURIDAD

• ***Este artefacto eléctrico es para uso domiciliario solamente. No intente usar o guardar este artefacto en el exterior.***

• Este artefacto debe ser conectado a tierra. Conéctelo únicamente a un tomacorriente con conexión a tierra. Vea las "Instrucciones de Conexión a Tierra" de la página 28.

• No use este artefacto si tiene el cable de alimentación o el enchufe dañado, si no funciona correctamente o si se ha dañado o caído.

• No modifique el cable de alimentación que viene con el artefacto.

• Mantenga el cable alejado de superficies calientes.

• No sumerja el cable de alimentación, el enchufe o el artefacto en agua.

• No use este producto cerca del agua, por ejemplo en un sótano húmedo, cerca de una piscina o cerca de una pileta.

• No use productos químicos corrosivos o vapores en este artefacto.

• Utilice este artefacto únicamente para los fines indicados en este manual.

• No almacene alimentos perecederos tal como (pero sin limitación) carnes y productos lácteos en su heladera para vinos.

• Guarde el vino en botellas cerradas únicamente.

• No tape u obstruya ninguna abertura de este artefacto.

• Este artefacto debe ser reparado únicamente por personal calificado. Llame al centro de reparaciones más cercano para que sea examinado, reparado o ajustado.

¡CONSERVE ESTAS INSTRUCCIONES!

INSTRUCCIONES DE LA CONEXIÓN A TIERRA

ATENCIÓN

La conexión inadecuada del cable de tierra puede causar riesgo de descarga eléctrica.

Este artefacto debe ser conectado a tierra. En caso de un corto circuito eléctrico, la conexión a tierra reduce el riesgo de una descarga eléctrica proporcionando un cable de retorno para la corriente eléctrica.

Este artefacto viene con un cable de alimentación que tiene un conductor y pata del enchufe de tierra. Este cable debe enchufarse en un tomacorriente debidamente instalado y con conexión a tierra.

Si no entiende claramente las instrucciones de conexión a tierra, o si no está seguro de que su tomacorriente esté correctamente conectado a tierra, llame a un electricista calificado.

Si el tomacorriente es uno común de 2 patas, es su responsabilidad personal y obligación el reemplazarlo por uno de 3 patas correctamente conectado a tierra.

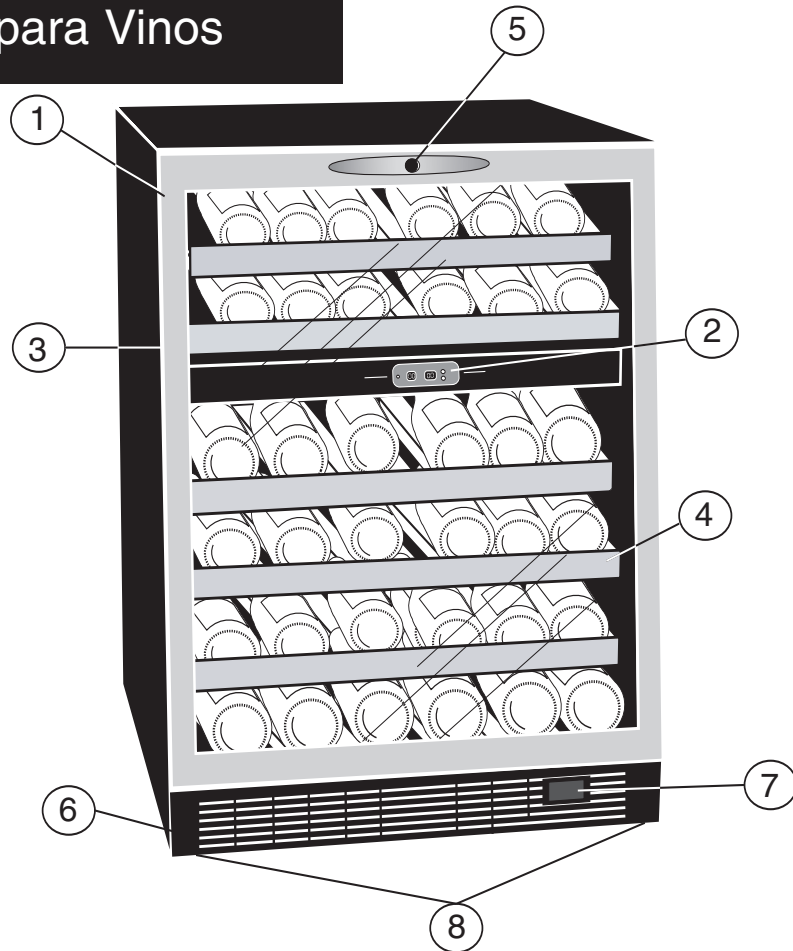
Para obtener el mejor resultado, enchufe este artefacto en su propio tomacorriente para evitar que las luces titilen, quemar un fusible o disparar una llave térmica.

Nunca, bajo ninguna circunstancia, corte o remueva la tercera pata (tierra) del enchufe.

No use un enchufe adaptador con este artefacto

No use un cable de prolongación con este artefacto. Si el cable de alimentación es demasiado corto, haga que un electricista calificado o un técnico de reparaciones instale otro tomacorriente más cerca del artefacto.

Características de su Heladera para Vinos



1. Puerta de Vidrio Templado:

Permite ver fácilmente el interior. Polarizadas para proteger contra la radiación UV.

2. Controles Electrónicos: Para regular la temperatura de la heladera para vinos.

3. Juntas Magnéticas de la Puerta:

Las juntas ajustadas mantienen todo el poder de enfriamiento y los niveles de humedad.

4. Estantes: Se deslizan hacia fuera para facilitar el acceso al vino.

5. Trabas con llave a prueba de niños.

6. Escape Frontal: Permite su instalación empotrada.

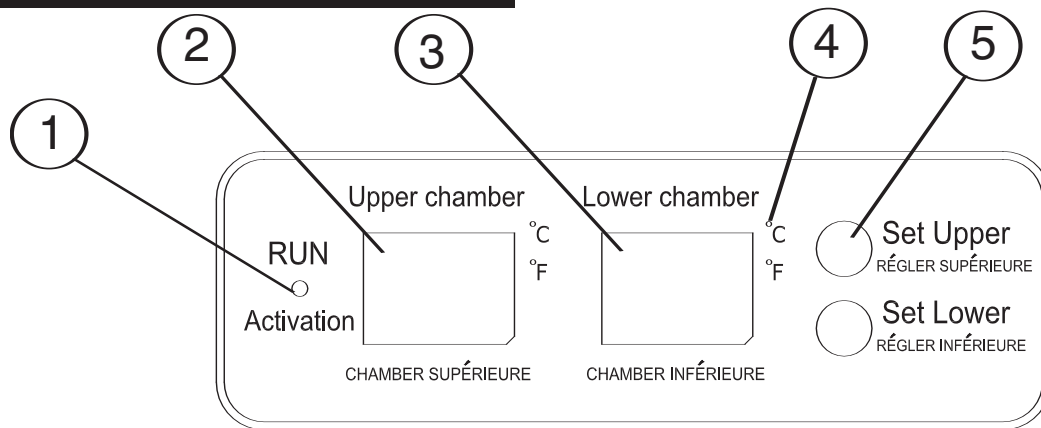
7. Llave de Encendido para Luces Interiores: Para encender/apagar manualmente las luces interiores con las puertas cerradas.

8. Patas Niveladoras

9. Luces Interiores (no se muestran): Se encienden cuando se abre cualquiera de la puerta.

Instrucciones de Operación

Controles de su Heladera para Vinos



- 1. Run (Marcha):** Este indicador se enciende para indicar que el modo de refrigeración está funcionando.
 - 2. Pantalla electrónica del compartimiento inferior:** Muestra la temperatura actual del compartimiento inferior y la temperatura seleccionada.
 - 3. Pantalla electrónica del compartimiento superior:** Muestra la temperatura actual del compartimiento superior y la temperatura seleccionada.
 - 4. °C / °F:** La luz indicadora adyacente le indica la unidad correcta de temperatura.
 - 5. Botón “Set Upper” (Eleva):** Se usa para aumentar la temperatura del compartimiento superior en incrementos de 1 grado. (Vea Ajuste de Temperatura más abajo)
- Botón “Set Lower” (Descender):**
Se usa para aumentar la temperatura del compartimiento inferior en incrementos de 1 grado. (Vea Ajuste de Temperatura más abajo)

Ajuste de Temperatura

Los ajustes iniciales de temperatura será fijado automáticamente a 54°F (12°C) y 45°F (7°C) en los compartements superiores y más bajos respectivamente y exhibido en la escala de Fahrenheit (°F).

- Para cambiar la indicación entre Fahrenheit (°F) y Celsius (°C) , presione los botones “Set Upper” y “Set Lower” simultáneamente durante unos cinco (5) segundos.

- La temperatura de ambos compartimientos puede ajustarse desde 39°F (4°C) hasta 64°F (18°C) para atisfacer sus requerimientos específicos de la heladera para vinos. Cada vez que presione los botones de “Set Upper” o “Set Lower” podrá ajustar la temperatura en incrementos de 1 grado dentro del rango mencionado anteriormente.

- Para ver la temperatura “elegida” (en cualquier momento) mantenga oprimido el botón “Set Upper” o “Set Lower”. La temperatura “elegida” titilará en la pantalla LED durante alrededor de 5 segundos y luego la pantalla volverá a mostrar la temperatura del interior del gabinete.

Observaciones: En caso de interrupción en el suministro de energía eléctrica, se perderán todos los ajustes seleccionados y una vez que vuelva la energía, la unidad tendrá los ajustes iniciales de fábrica.

Instrucciones de Operación

Almacenamiento de Vinos

La capacidad máxima* de la DWC516 es de 51 botellas de vino (de 750ml).

** Cuando se guarden de acuerdo con las instrucciones y no se usen los humidores.*

Para poder alcanzar la capacidad máxima de almacenamiento de cincuenta y uno (51) botellas, será necesario colocar las botellas alternativamente en los cinco estantes superiores, tal como se indica en la Fig. A. Esto le permitirá guardar nueve (9) botellas de 750ml por estante en cada uno de los seis estantes superiores, y seises (6) botellas en el estante inferior (**Fig. B**) logrando una capacidad máxima de cincuenta y uno (51) botellas.

Si las condiciones de humedad son muy bajas, necesitará usar el humidor. Llene el humidor a 3/4 de su capacidad con agua de la canilla y colóquelo en el estante inferior, como se indica en la Fig. B. Revise a menudo el nivel de agua, y llénelo cuando sea necesario.

NOTA: El uso de humidor(s) reducirá la capacidad de almacenamiento del estante(s) en una botella.

Fig A

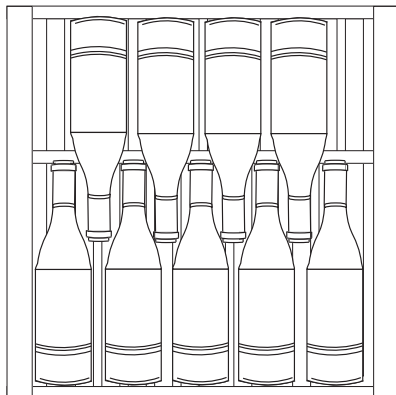
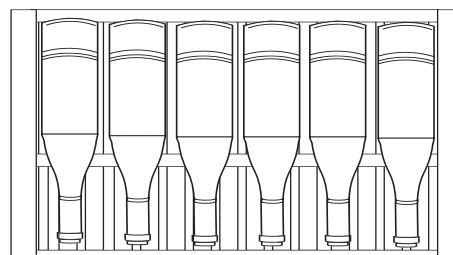


Fig B



Instrucciones de los Estantes

¡IMPORTANTE!

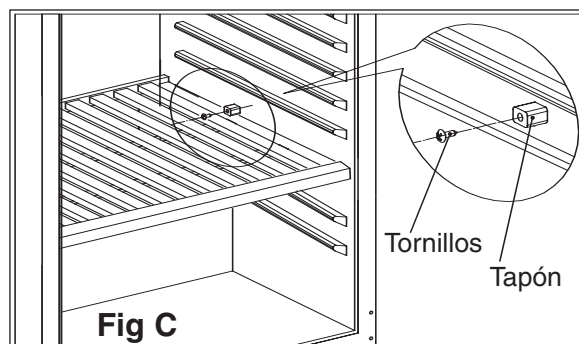
No recubra los estantes con papel de aluminio ni ningún otro material que evite la adecuada circulación de aire dentro del gabinete.

Para sacar un estante de su posición trabada, quite el tapón ese situado en cada lado del estante como se indica en la Fig. C y tire hacia afuera.

Para volver a trabarlo, verifique que esté apoyado firmemente en los soportes de montaje y empujelo hacia

adentro y instale el tapón.

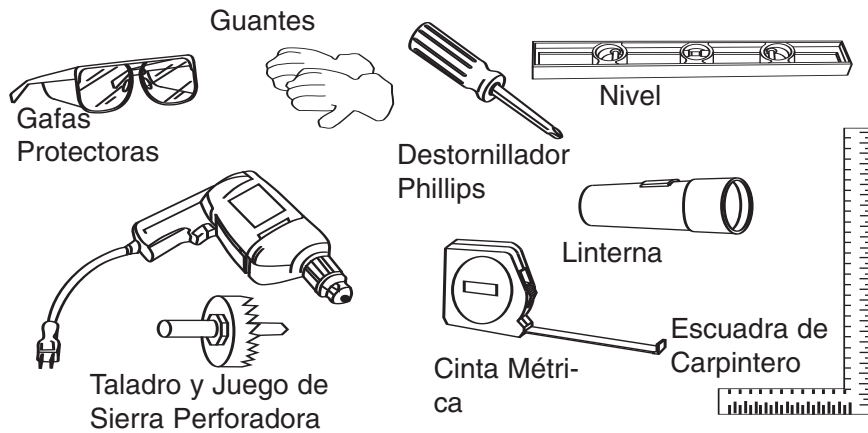
Observación: El estante inferior de ambas secciones del gabinete no está trabado en su lugar. No intente extraerlo cuando tenga botellas de vino o el humidor lleno de agua.



Instrucciones de Instalación – Funcionamiento Empotrado

Herramientas Necesarias

POR SU SEGURIDAD:
Al realizar las instalaciones descritas en esta sección, use guantes, gafas de seguridad o gafas protectoras.



Preparación del Hueco

Requisitos Eléctricos:
El artefacto debe conectarse a un circuito eléctrico independiente y correctamente conectado a tierra, protegido por una llave térmica de 15 amperes o un fusible lento.

- No le recomendamos instalar la heladera para vinos en una esquina (por ejemplo, directamente contra la pared). Esto le permitirá que las puertas puedan abrirse con un ángulo mayor a 45°. La apertura limitada de la puerta evitará que los estantes se deslicen hacia fuera, y podría llegar a dañar los sellos de la puerta.
- El hueco para el gabinete debe estar en una superficie nivelada y debe tener por lo menos 24" de profundidad por 12 1/2" de ancho. El hueco también deberá tener por lo menos 34 1/2" de alto.
- El tomacorriente eléctrico puede colocarse del lado de cualquiera de los artefactos adyacentes, o en la parte de atrás de la zona sombreada (como se indica en la Fig. C).
- Si el tomacorriente se coloca del lado del artefacto adyacente, haga un agujero de 1-1/2" de diámetro para pasar el cable de alimentación. Si la pared del mueble es de metal, los bordes del agujero deben cubrirse con un pasacables.

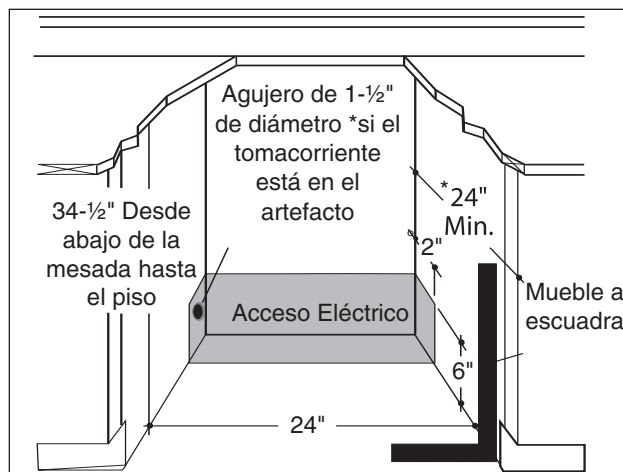
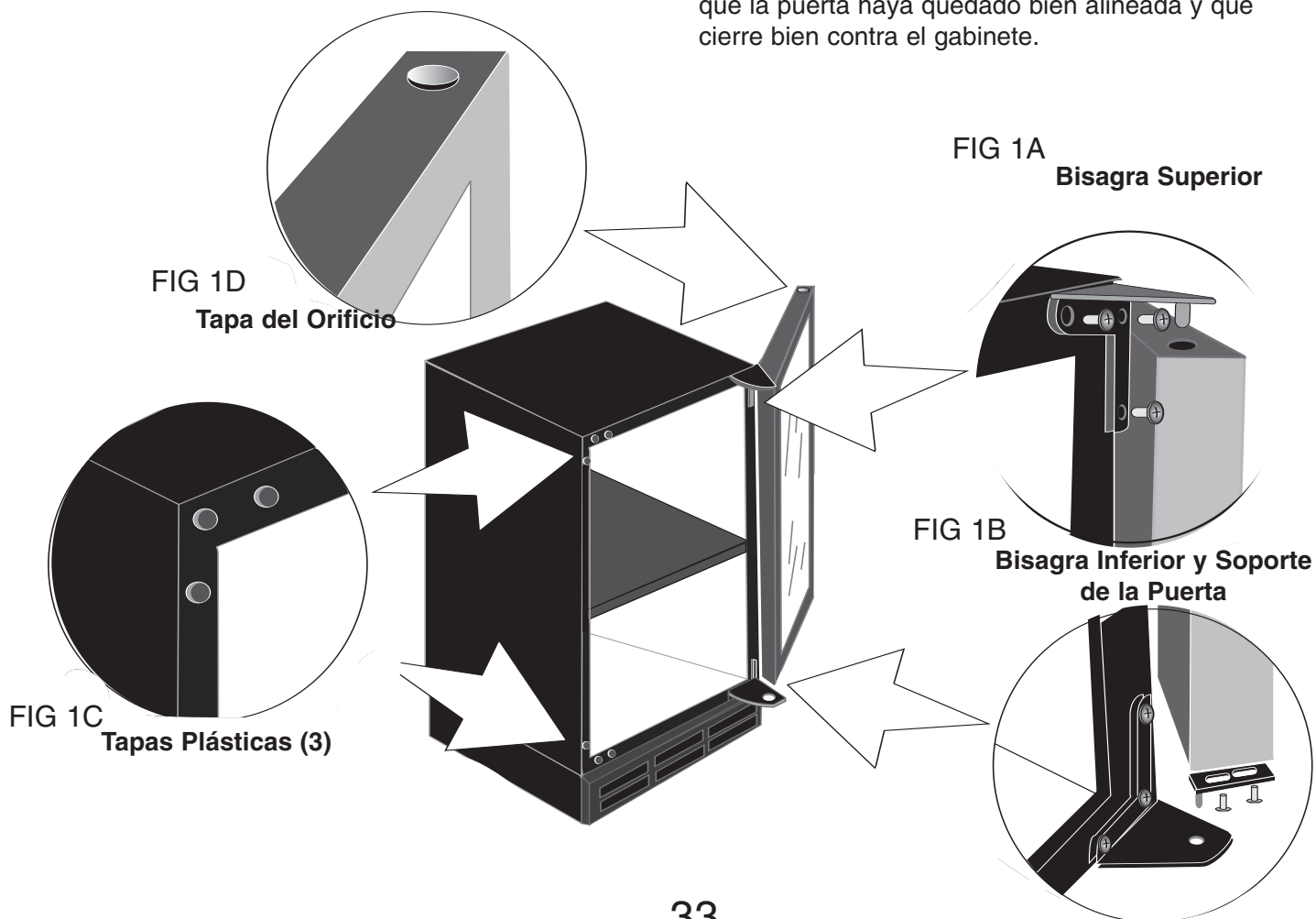


Fig C

Instrucciones de Instalación - Inversión de Apertura de Puerta

1. Desenchufe la unidad del tomacorriente (si está conectada) y apóyela sobre la parte de atrás.
2. Abra la puerta hasta que se vean los tornillos que sujetan el soporte inferior en la parte de abajo de la puerta (Fig. 1B).
3. Quite el tornillo que está más cerca de la bisagra y cierre cuidadosamente la puerta para poder quitar el otro tornillo del soporte.
4. Deslice la puerta un poco hacia la izquierda para poder quitar el soporte de la puerta y la bisagra inferior.
5. Empuje la puerta hacia abajo para quitarla del gabinete de la heladera para vinos.
6. Quite la tapa del orificio del extremo superior izquierdo de la puerta (Fig. 1D) y colóquela en el orificio superior derecho.
7. Quite los tres (3) tornillos que sujetan la bisagra superior (Fig. 1A) y también los tres (3) tornillos que sujetan la bisagra inferior.
8. Quite las tapas plásticas del lado izquierdo del gabinete (Fig. 1C) y vuelva a instalarlas en el lado derecho (donde estaba antes la bisagra).
9. Instale el juego de bisagras para el lado izquierdo (incluido con la unidad) en el lado izquierdo del gabinete.
10. Coloque el soporte inferior de la puerta sobre la bisagra inferior izquierda.
11. Con mucho cuidado, vuelva a colocar la puerta en la bisagra comenzando por el lado superior izquierdo y luego sobre el soporte inferior de la puerta.
12. Con la puerta cerrada, instale el primer tornillo en el soporte inferior.
13. Abra la puerta e instale el tornillo que está más cerca de la bisagra.
14. Cierre la puerta y vuelva a colocar la unidad en posición vertical (espere 60 minutos antes de volver a enchufar la heladera para vinos), verifique que la puerta haya quedado bien alineada y que cierre bien contra el gabinete.



Cuidado y Limpieza

Consejos Útiles

Deje la puerta de la heladera para vinos abierta por unos minutos luego de limpiarla para que se ventile y para secar el interior del gabinete.

NOTA: Verifique que la unidad esté apagada antes de limpiar cualquiera de sus partes.

Cómo limpiar el interior

Nunca use un limpiador comercial o abrasivo u objetos filosos en ninguna parte de la heladera para vinos.

Paredes, Piso, Interior de las Puertas y Estantes

Algunos sedimentos del agua y tierra pueden quitarse con una toalla seca de papel, otros pueden necesitar un trapo húmedo.

Humidores

Lávelos cuidadosamente en agua tibia, jabonosa. Pueden romperse si se le caen.

IMPORTANTE:

Para evitar que se rompan, no los coloque en agua caliente inmediatamente después de sacarlos de la heladera fría.

Cómo limpiar el exterior

No use limpiadores que tengan amoníaco o alcohol en la heladera para vinos.

El amoníaco o el alcohol pueden dañar la apariencia del artefacto.

Cubierta Exterior

Es importante mantener limpia la zona donde la puerta cierra contra el gabinete. Limpie esa área con trapo enjabonado. Enjuáguela y séquela completamente.

Superficie de la Puerta

Use únicamente detergentes livianos, no abrasivos, aplicados con una esponja limpia o un trapo suave. Enjuáguelo bien.

Panel de Control y Puerta

Repáselo con un trapo húmedo y séquelo completamente. No use limpiadores en aerosol, demasiada agua y jabón, objetos abrasivos o filosos en el panel de control ya que podría dañarlo. Algunas toallas de papel también podrían rayar el panel de control.

Diagnóstico de Problemas

Antes de Llamar por Asistencia

Problema	Posible Causa	Qué Hacer
No Enciende.	Puede tener un fusible quemado o una llave térmica abierta en su instalación eléctrica.	Reemplace el fusible o encienda la llave general.
	Sobrevoltaje.	Desenchufe el equipo, espere unos segundos y vuelva a enchufarlo.
	El enchufe no está completamente insertado en el toma-corriente.	Verifique que el enchufe de 3 patas del equipo esté completamente insertado en el tomacorriente.
Temperatura del Gabinete demasiado alta	Ajuste la Temperatura	Verifique el ajuste de temperatura. Ajústelo si es necesario.
	La puerta no está cerrada correctamente o se han abierto demasiado.	Verifique que las puertas estén completamente cerradas y que la juntas estén cerrando bien contra el gabinete. Abra la puerta sólo lo necesario y por poco tiempo.
	Luces interiores encendidas	Las luces interiores son para iluminación temporaria del gabinete. No están diseñadas para estar encendidas por mucho tiempo.
	Escape de aire obstruido	Verifique que no haya nada bloqueando la salida de aire del frente.
	Se han agregado recientemente muchas botellas tibias al gabinete	Limite la cantidad de botellas tibias que agregue en el gabinete al mismo tiempo. Intente fraccionar el agregado de botellas todo lo posible.
Condensación en el gabinete y/o las puertas	Alta humedad en el ambiente.	La condensación disminuirá cuando las condiciones de humedad vuelvan a la normalidad.
	La puerta no está cerrada correctamente o se han abierto demasiado.	Verifique que las puertas estén completamente cerradas y que la juntas estén cerrando bien contra el gabinete. Abra la puerta sólo lo necesario y por poco tiempo.

Si ninguno de los casos anteriores soluciona su problema, llame a nuestro departamento de servicio al cliente al **1-800-26-Danby® (1-800-263-2629)**.

Danby

Silhouette

ENFRIADORES DE VINO GARANTÍA LIMITADA

Este producto de calidad está garantizado contra defectos de fabricación, incluyendo partes y mano de obra, siempre y cuando la unidad se utilice bajo las condiciones normales de funcionamiento para las que fue diseñado.

Esta garantía está solamente disponible para la persona que haya comprado originalmente esta unidad directamente de Danby o uno de sus distribuidores autorizados, y no es transferible.

CONDICIONES DE LA GARANTÍA

Las piezas plásticas, se autorizan por treinta (30) días solamente a partir de la fecha de la compra, sin las extensiones proporcionadas.

Primeros 24 Meses Durante los primeros 24 meses, cualquier parte eléctrica de este producto que resulte defectuosa, incluyendo cualquier sistema sellado, será reparado o reemplazado, a opción del fabricante, sin cargo para el comprador ORIGINAL.

36 Meses Adicionales Durante los 36 meses próximos, cualquier parte de los sistemas sellados únicamente, que resulte defectuosa (compresor, condensador, evaporador, secador y todas las tuberías relacionadas) será reemplazada sin cargo. Sin embargo, el comprador deberá pagar por toda la mano de obra y gastos de envío durante este período extendido de reparación o reemplazo de los sistemas sellados. Cualquier unidad que se diagnostique como no-reparable debido a un sistema sellado y que deba ser reemplazada durante este período estará sujeta a un cargo por depreciación o cargo de usuario, incluyendo todos los costos de transporte que deba pagar el usuario.

Para obtener Servicio Danby se reserva el derecho de limitar la cobertura de "Servicio en Domicilio" sujeto a la proximidad de un Taller de Servicio Autorizado. Para todo artefacto que requiera servicio fuera del área limitada de "Servicio en Domicilio", el cliente será responsable por transportar dicho artefacto hasta el Taller de Servicio Autorizado más cercano. Comuníquese con el distribuidor donde haya comprado la unidad, o llame al Taller de Servicio Autorizado más cercano, donde debe ser reparada por un técnico calificado. Si esta unidad es reparada en otro lugar que no sea un Taller de Servicio Autorizado, o si la unidad se utiliza para aplicaciones comerciales, Danby no se hará responsable de ninguna forma y la garantía será anulada.

Nada dentro de esta garantía implica que Danby será responsable por cualquier daño que hayan sufrido los vino u otros contenidos de este aparato, ya sea debido a un defecto del aparato, o su uso, adecuado o inadecuado.

EXCLUSIONES

Salvo lo aquí indicado por Danby Products Limited (Canada) o por Danby Products Inc. (U.S.A.), no existen otras garantías, condiciones o representaciones, explícitas o implícitas, concretas o intencionales por parte de Danby Products Limited o sus distribuidores autorizados y todas las demás garantías, condiciones o representaciones, incluyendo cualquier garantía, condiciones o representaciones bajo cualquier Acta de Venta de Productos o legislación o estatuto similar, quedan de esta forma expresamente excluidas. Salvo lo aquí indicado, Danby Products Limited (Canada) o Danby Products Inc. (U.S.A) no serán responsables por ningún daño a personas o bienes, incluyendo la propia unidad, sin importar su causa, o de ningún daño indirecto causado por el desperfecto de la unidad, y al comprar esta unidad, el comprador acepta por la presente, indemnizar y proteger a Danby Products Limited contra cualquier reclamo por daños a personas o bienes causados por la unidad.

CONDICIONES GENERALES

No se considerará ninguna de estas garantías o seguros cuando el daño o la necesidad de reparación sea el producto de los siguientes casos:

- 1) Falla del suministro eléctrico.
- 2) Daños en tránsito o durante el transporte de la unidad.
- 3) Alimentación incorrecta, como bajo voltaje, instalación eléctrica defectuosa o fusibles inadecuados.
- 4) Accidente, modificación, abuso o uso incorrecto del artefacto, tal como insuficiente ventilación del ambiente o condiciones de operación anormales (temperatura ambiente extremadamente alta o baja).
- 5) Utilización comercial o industrial.
- 6) Incendio, daños por agua, robo, guerra, disturbios, hostilidades, actos de fuerza mayor como huracanes, inundaciones, etc.
- 7) Pedidos de servicio debido a desinformación del usuario.

Para acceder a la garantía se solicitará un comprobante de compra; por lo tanto, guarde su recibo. En caso de necesitar servicio de garantía, presente ese documento al TALLER DE SERVICIO AUTORIZADO.

Servicio de Garantía
Ensu Domicilio

Danby Products Limitée
PO Box 1778, Guelph, Ontario, Canadá N1H 6Z9
Teléfono: (519) 837-0920 Fax: (519) 837-0449

06/06

Danby Products Inc.
PO Box 669, Findlay, Ohio, U.S.A. 45839-0669
Teléfono: (419) 425-8627 FAX: (419) 425-8629

Danby

Silhouette®

Model • Modèle • Modelo

DWC516BLS

For service, contact your nearest service depot or call:

1-800-26-Danby®
(1-800-263-2629)

to recommend a depot in your area.

Pour obtenir de l'assistance, communiquez avec votre centre de service le plus rapproché ou composez le :

1-800-26-Danby®
(1-800-263-2629)

pour localiser le dépositaire de votre région

Para reparaciones, llame a su centro de reparaciones más cercano o al::

1-800-26-Danby®
(1-800-263-2629)

para recomendarle un centro de reparaciones en su área.

Integrated Wine Cooler

The model number can be found on the serial plate located on the back panel of the unit.

All repair parts available for purchase or special order when you visit your nearest service depot. To request service and/or the location of the service depot nearest you, call the TOLL FREE NUMBER.

When requesting service or ordering parts, always provide the following information:

- Product Type
- Model Number
- Part Description

Refroidisseur Intégré de Vin

Le numéro de modèle se trouve sur la plaque signalétique au dos de l'unité.

Vous pouvez vous procurer/commander toute pièce de rechange chez votre dépositaire le plus rapproché. Pour toute demande de service ou pour localiser le dépositaire/centre de service le plus rapproché, composez le NUMÉRO SANS FRAIS.

Pour toute demande de service ou commande de pièces, fournissez toujours l'information suivante :

- Type de produit
- Numéro de modèle
- Description de la pièce requise

Heladera Integral para Vinos

El número de modelo se encuentra en la placa ubicada en el panel posterior de la unidad.

Todas las partes de recambio pueden comprarse o encargarse especialmente en su taller de reparación autorizado. Para solicitar servicio y/o localizar el taller de servicio mas cercano, llame a nuestro NÚMERO SIN CARGO.

Proporcione siempre la siguiente información al solicitar servicio o al ordenar partes:

- Tipo de Producto
- Número de Modelo
- Descripción de la Parte

Danby Products Limited, Guelph, Ontario Canada N1H 6Z9
Danby Products Inc., Findlay, Ohio USA 45840