



We are proud of our quality products and we believe in dependable service. You are entitled to warranty coverage as described in this owner's manual.

|                                     |             |
|-------------------------------------|-------------|
| <b>OUTDOOR COMPACT REFRIGERATOR</b> |             |
| <b>Model Number</b>                 | DAR044A1SSO |
| <b>Serial Number</b>                |             |
| <b>Date of Purchase</b>             |             |

Please write down your serial number and date of purchase. **You must keep the original proof of purchase receipt to receive warranty services.**

Register your new appliance online and fill out a product survey to receive a **FREE 2 MONTH WARRANTY EXTENSION** at [www.danby.com/support/product-registration/](http://www.danby.com/support/product-registration/)

Visit [www.Danby.com](http://www.Danby.com) to access self-service tools, FAQs and much more.

For **Customer Service**, please fill out the web form at [www.danby.com/support](http://www.danby.com/support), or call **1-800-263-2629**.

Danby Products Ltd, Guelph, Ontario, Canada N1H 6Z9  
Danby Products Inc, Findlay, Ohio, USA 45840

\*Trademark of Danby Products

Printed in China



## Important Safety Information

**READ AND FOLLOW ALL SAFETY INSTRUCTIONS**

**THE RECOMMENDED OPERATING AMBIENT TEMPERATURE IS FROM 7°C (45°F) TO 43°C (109°F) WHEN NOT IN DIRECT SUNLIGHT.**

## SAFETY REQUIREMENTS

**DANGER:** Risk of fire or explosion. Flammable refrigerant used. Do not puncture refrigerant tubing.

- Do not use mechanical devices to defrost refrigerator.
- Ensure that servicing is done by factory authorized service personnel, to minimize product damage or safety issues.
- If the power supply cord is damaged, it must be replaced by the manufacturer, its service agent or similar qualified person in order to avoid hazard.
- Consult repair manual or owner's guide before attempting to service this product. All safety precautions must be followed.
- Dispose of properly in accordance with federal or local regulations.
- Follow handling instructions carefully.
- Do not store explosive substances such as aerosol cans with a flammable propellant in this appliance.
- Suitable for camping use.

**WARNING:** Keep ventilation openings, in the appliance enclosure or in the built-in structure, clear of obstruction.

**WARNING:** Do not use mechanical devices or other means to accelerate the defrosting process, other than those recommended by the manufacturer.

**SAVE THESE INSTRUCTIONS!**



## **Important Safety Information**

### **READ AND FOLLOW ALL SAFETY INSTRUCTIONS**

**WARNING:** Do not damage the refrigerant circuit.

**WARNING:** Do not use electrical appliances inside the food storage compartments of the appliance, unless they are of the type recommended by the manufacturer.

**CAUTION:** Children should be supervised to ensure that they do not play with the appliance.

**DANGER:** Risk of child entrapment. Before throwing away an old appliance:

- Remove the door or lid.
- Leave shelves in place so that children may not easily climb inside.

**DANGER:** Do not add a lock to the door or lid. This can cause child entrapment and harm.

This appliance is not intended for use by persons (including children) whose physical, sensory or mental capabilities may be different or reduced, or who lack experience or knowledge, unless such persons receive supervision or training to operate the appliance by a person responsible for their safety.

This appliance is intended to be used in household and similar applications such as:

- Staff kitchen areas in shops, offices and other working environments;
- Farm houses and by clients in hotels, motels and other residential type environments;
- Bed and breakfast type environments;
- Catering and similar non-retail applications.

**SAVE THESE INSTRUCTIONS!**



## **Important Safety Information** **READ AND FOLLOW ALL SAFETY INSTRUCTIONS**

### **GROUNDING INSTRUCTIONS**

This appliance must be grounded. Grounding reduces the risk of electrical shock by providing an escape wire for the electrical current.

This appliance has a cord that has a grounding wire with a 3-prong plug. The power cord must be plugged into an outlet that is properly grounded. If the outlet is a 2-prong wall outlet, it must be replaced with a properly grounded 3-prong wall outlet. The serial rating plate indicates the voltage and frequency the appliance is designed for.

**WARNING** - Improper use of the grounding plug can result in a risk of electric shock. Consult a qualified electrician or service agent if the grounding instructions are not completely understood, or if doubt exists as to whether the appliance is properly grounded.

**Do not connect your appliance to extension cords or together with another appliance in the same wall outlet.** Do not splice the power cord. Do not under any circumstances cut or remove the third ground prong from the power cord. Do not use extension cords or ungrounded (two prongs) adapters.

**SAVE THESE INSTRUCTIONS!**

# INSTALLATION INSTRUCTIONS

## LOCATION

- Two people should work together to move the appliance.
- Remove interior and exterior packaging prior to installation. Wipe the outside with a soft, dry cloth and the inside with a lukewarm wet cloth.
- Place the appliance on a floor that is strong enough to support it when it is fully loaded.
- Prolonged exposure to extreme heat or direct sunlight may adversely affect the performance of this unit. Please check the interior temperature and contents if extreme heat or sunlight are present for extended periods.
- This appliance is suitable for outdoor use and is weather resistant, however, it is not waterproof. Do not use this appliance near a swimming pool or hot tub.
- Before connecting the appliance to a power source, let it stand upright for approximately 6 hours. This will reduce the possibility of a malfunction in the cooling system from handling during transportation.
- Extreme cold will affect the performance and reliability of this unit. Do not use this appliance in environments that are 7°C (45°F) or less.

## LEVELING INSTRUCTIONS

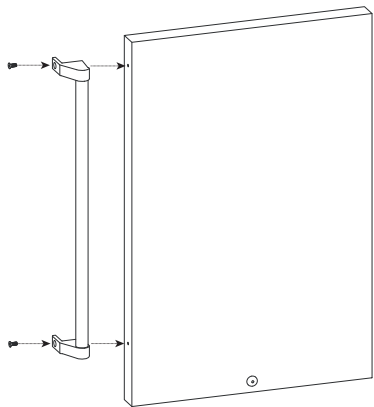
There is an adjustable foot on the bottom of the appliance that can be turned up or down to ensure that the appliance is level.

1. Turn the adjustable foot counter-clockwise until the top of the foot is touching the bottom of the chassis.
2. Slowly turn the adjustable foot clockwise until the appliance is level.

# INSTALLATION INSTRUCTIONS

## DOOR HANDLE INSTALLATION

The door handle will ship inside the cabinet to avoid damage during shipping. It can be installed using the provided hex key and hexagon bolts found in the accessory bag.



### IMPORTANT

Ensure that the door is fully closed when the appliance is in operation. Failure to fully close the door can lead to excessive condensation and potential water damage. Danby will not be responsible for damages from misuse.

## DIMENSIONS

This appliance has the following dimensions:

- 52 cm (20.5") wide without the handle
- 52.7 cm (20.7") wide with the handle.
- 84.1 cm (33.1") high with the regular feet
- 89 cm (35.1") with the casters
- 52.4 cm (20.6") deep without the handle
- 58.2 cm (22.9") deep with the handle
  
- Allow 12.7 cm (5 inches) of space on the back, sides and top of the appliance for proper air flow.
- This appliance is intended for free-standing installation only and is not intended to be built into a cabinet or counter. Building in this appliance can cause it to malfunction.

# OPERATING INSTRUCTIONS

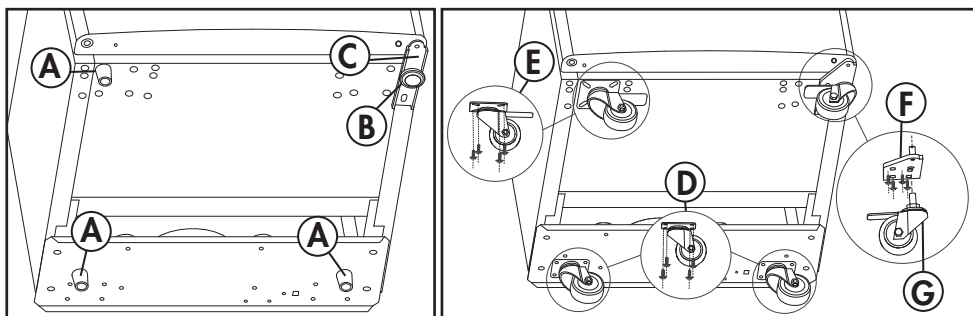
## CASTER INSTALLATION

To reduce the risk of personal injury or property damage, we recommend unplugging the appliance and using two people to complete the caster installation.

1. Place the appliance on its back. Protect the floor and the back of the unit from damage by laying the appliance on a towel or blanket.
2. Remove the three solid feet. Unscrew the adjustable foot. Keep the solid feet and adjustable foot for future use.
3. Install the non-locking casters on the back of the appliance where the mounting holes are already pre-drilled and threaded.
4. Install the larger locking caster at the front of the appliance opposite the hinge.
5. Remove the hinge plate installed on the appliance and replace it with the hinge plate provided in the caster box.
6. Use the spanner provided in the caster box to install the smaller locking caster into the pre-drilled hole in the caster hinge plate.
7. Once completed, allow the unit to stand upright for a minimum of 6 hours before plugging in to avoid damage to internal components.

- A. Solid feet
- B. Adjustable foot
- C. Adjustable foot hinge plate
- D. Non-locking casters

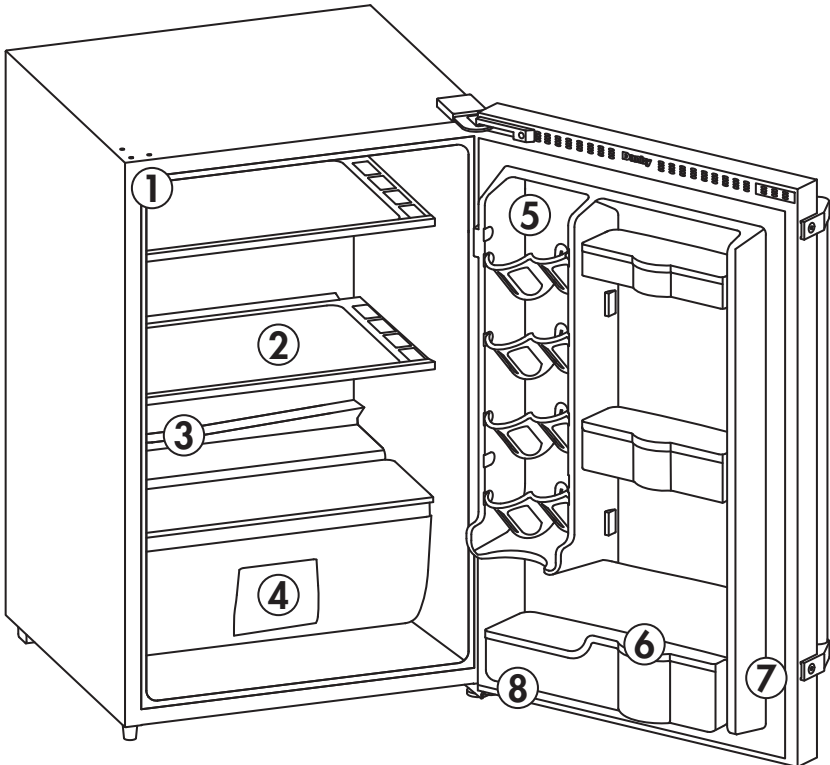
- E. Larger locking caster
- F. Caster hinge plate
- G. Smaller locking caster



# OPERATING INSTRUCTIONS

## FEATURES

1. **Interior Light and Thermostat Dial:** Temperature can be adjusted by turning the thermostat dial on the inner ceiling of the appliance.
2. **Glass Shelves**
3. **Defrost Water Outlet:** Ice that forms inside the appliance will automatically thaw and drain through this outlet.
4. **Crisper**
5. **CANSTOR™ Door Liner:** Holds 355ml cans of pop, juice, or beer.
6. **Bottle Rack:** For tall, small and medium cans or jars.
7. **Magnetic Gasket:** Tight fitting door seal keeps all the cooling power locked inside.
8. **Adjustable Foot:** Adjust so the unit is level.
9. **Lock (not pictured):** To prevent a child from becoming trapped, keep keys out of reach of children and not near the appliance.



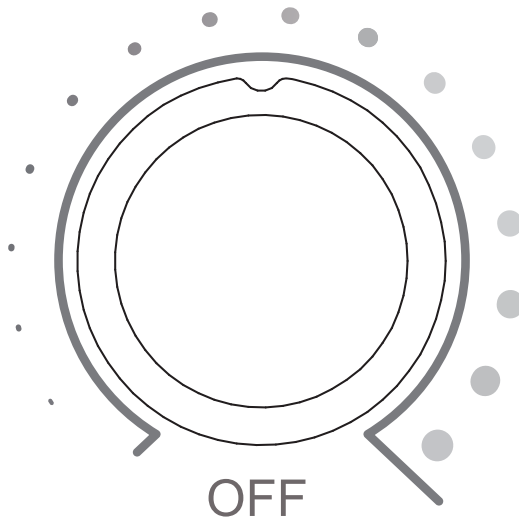
# OPERATING INSTRUCTIONS

## TEMPERATURE SELECTION

The temperature of the appliance can be adjusted by turning the thermostat dial.

- The larger dots indicate the coldest setting.
- The smaller dots indicate the warmest setting.
- The "OFF" position will turn off the cooling function.

Internal temperature of the appliance can vary based on ambient temperature, the quantity of items stored and how frequently the door is opened.



# OPERATING INSTRUCTIONS

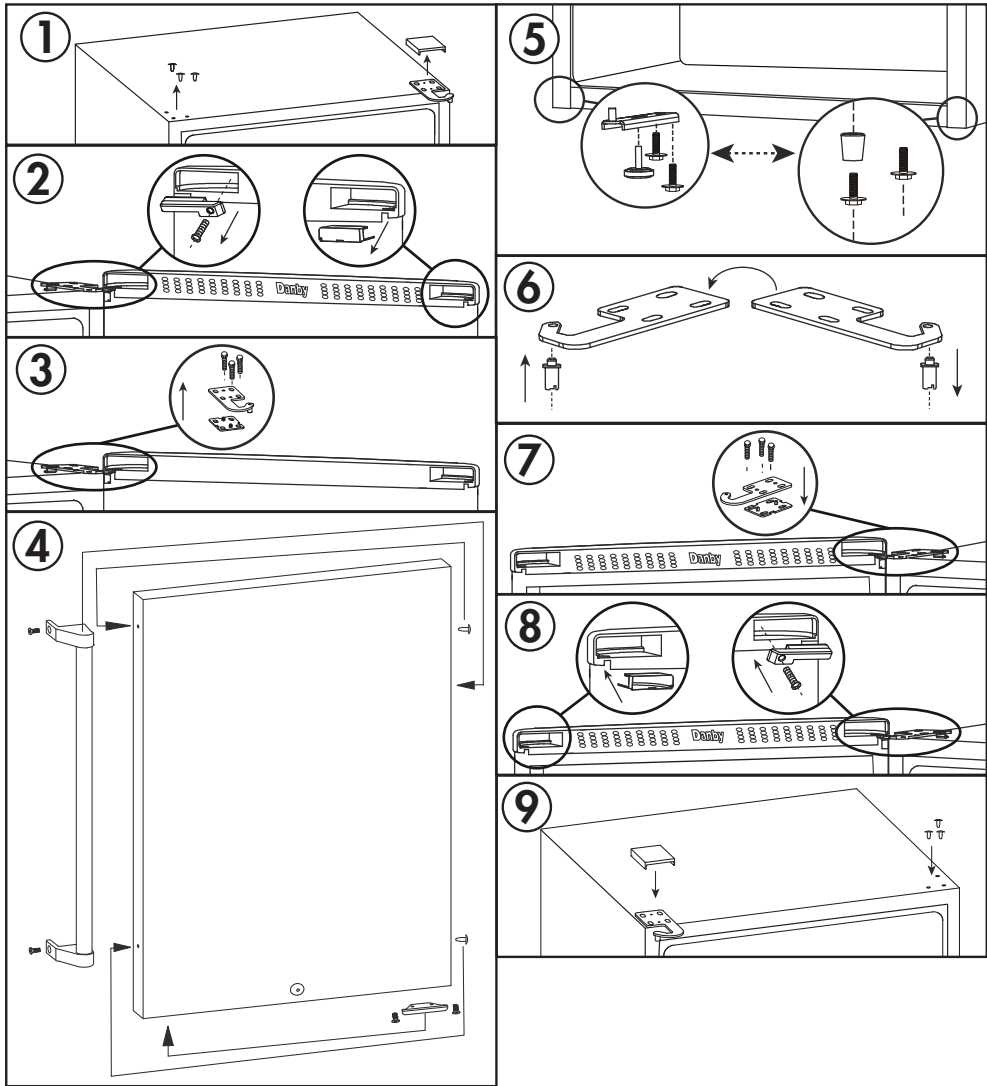
## DOOR REVERSAL INSTRUCTIONS

If the appliance is placed on its back or side for any length of time during this process, it must be allowed to remain upright for 6 hours before plugging it in to avoid damage to the internal components.

1. Remove the hinge cover from the top right side of the cabinet. Remove the screw hole covers from the top left side of the cabinet.
2. Remove the door spindle cover that covers the hinge hole on the top left side of the door. Remove the hole cover from the top right side of the door. Removing the hole cover may require a flat bladed screwdriver.
3. Remove the upper hinge and upper hinge gasket from the top right side of the cabinet. Remove the door from the cabinet.
4. Move the stop block from the bottom right side of the door to the bottom left side of the door. Move the door handle to the right side of the door. Move the screw hole covers from the right side of the door to the left side of the door.
5. Remove the adjustable foot and the lower hinge from the bottom right side of the cabinet. Remove the solid foot and screws from the bottom left side of the cabinet. Install the solid foot on the bottom right side of the cabinet. Install the lower hinge and adjustable foot on the lower left side of the cabinet.
6. Remove the hinge pin from the upper hinge. Flip the hinge over and reinstall the hinge pin on the other side.
7. Install the door onto the cabinet. Install the upper hinge and upper hinge gasket.
8. Install the hole cover on the top left side of the door. Take the door spindle cover from the accessory bag and install it on the top right side of the door.
9. Install the upper hinge cover on the top left side of the door. Install the screw hole covers on the top right side of the door.

**Note:** When reinstalling the door, ensure that the top of the door is level with the top of the cabinet and that the rubber gasket makes a good seal with the cabinet all the way around.

# OPERATING INSTRUCTIONS



## CARE & MAINTENANCE

### CLEANING

- Ensure the appliance is unplugged before cleaning.
- Use a soft cloth to clean the the outside of the appliance.
- Use a soft, damp cloth and some mild detergent to clean the inside of the appliance. Ensure the interior is dry before plugging in.
- Wash removable shelves with mild detergent, then dry and wipe with a soft cloth.
- It is important to keep the area clean where the door seals against the cabinet. Clean this area with a soapy cloth, then rinse with a damp cloth and wipe dry.
- Do not use cleaners containing ammonia or alcohol on the appliance as they can damage the appearance of the finish. Never use any commercial or abrasive cleaners or sharp objects on any part of the appliance.

### POWER FAILURE

Most power failures are corrected within a few hours and should not affect the temperature of your appliance if you minimize the number of times the door is opened. If the power is going to be off for a longer period of time, take steps to protect the contents.

**Note:** Wait 3 to 5 minutes before attempting to restart the refrigerator if operation has been interrupted.

### DEFROST

This appliance is equipped with an automatic defrost function and does not require manual defrosting. Defrost water from the appliance is channeled into a drip tray located above the compressor. Heat transfer from the compressor causes the defrost water to evaporate.

## CARE & MAINTENANCE

### VACATION

- Short vacations: Leave the appliance operating during vacations of less than three weeks.
- Long vacations: If the appliance will not be used for several months, remove all items and turn off the appliance. Clean and dry the interior thoroughly. To prevent odor and mold growth, leave the door open slightly, blocking it open if necessary.

### MOVING

- Make sure the appliance is empty.
- Secure the shelves with tape.
- Secure the door with tape.
- Turn the adjustable foot up to the base to avoid damage.
- Protect the outside of the appliance with a blanket or similar item.
- Be sure the appliance stays in the upright position during transportation.
- If the appliance is placed on its back or side during transportation, upon reaching the destination, allow it to remain upright for 6 hours before plugging in to avoid damage to internal components.

### DISPOSAL

This appliance may not be treated as regular household waste, it should be taken to the appropriate waste collection point for recycling of electrical components. For information on local waste collection points, contact your local waste removal agency or government office.

## FREQUENTLY ASKED QUESTIONS

### **What is the electrical rating?**

This information can be found on the rating plate located on the back of the cabinet.

### **How much does it cost to run the freezer?**

Please refer to the energy guide.

### **Can I use an extension cord?**

No, an extension cord may not be used.

### **I am having trouble opening the door; why?**

The refrigerator door may be difficult to open immediately after closing it. This is normal and is due to the pressure difference between the cold interior of the refrigerator and the warm air that has just entered the refrigerator when it was opened. The pressure will equalize within a few minutes.

### **I had my fridge on its side to bring it home. Do I have to let it sit? And for how long?**

Yes, please allow it to sit upright for 6 hours before plugging it in.

### **The refrigerator smells like new plastic. How do I make it go away?**

It is common for new appliances to have a slight plastic smell. Ensure that you have removed all packing material from the fridge. Clean the inside of the cabinet by following the cleaning instructions included in the owner's manual. Once completed, place an open box of baking soda in the refrigerator to absorb any remaining odour.

### **How do I set the temperature?**

- The larger dots indicate the coldest setting.
- The smaller dots indicate the warmest setting.
- The "OFF" position will turn off the cooling function.

## **TROUBLESHOOTING**

### **No power**

- A fuse may be blown or the circuit breaker tripped
- Plug not fully inserted into the wall outlet

### **Internal temperature not cold enough**

- Temperature setting is too warm
- The door is not shut properly or opened excessively
- Recently added a large quantity of warm food to the cabinet
- Close proximity to heat source or direct sunlight
- Ambient temperature or humidity is very high

### **Refrigerator runs continuously**

- Temperature setting is too cold
- The door is not shut properly or opened excessively
- Recently added a large quantity of warm food to the cabinet
- Close proximity to heat source or direct sunlight
- Ambient temperature or humidity is very high

### **Refrigerator makes a gurgling noise when operating**

- This noise is completely normal. The refrigerant inside the appliance will make a gurgling noise as it changes from a liquid to a gas and back again.

## LIMITED "CARRY IN" WARRANTY

This quality product is warranted to be free from manufacturer's defects in material and workmanship, provided that the unit is used under the normal operating conditions intended by the manufacturer. This warranty is available only to the person to whom the unit was originally sold by Danby Products Limited (Canada) or Danby Products Inc. (U.S.A.) (hereafter "Danby") or by an authorized distributor of Danby, and is non-transferable.

### TERMS OF WARRANTY

**Plastic parts are warranted for thirty (30) days from the date of purchase, with no extensions provided.**

**First 12 months:** During the first **twenty-four (24) months**, any functional parts of this product found to be defective, will be repaired or replaced, at warranter's option, at no charge to the original purchaser.

**To obtain service:** Contact the dealer where the unit was purchased, or contact the nearest authorized Danby service depot, where service must be performed by a qualified service technician. If service is performed on the unit by anyone other than an authorized service depot, all obligations of Danby under this warranty shall be void.

**It is the responsibility of the purchaser to transport the appliance to the nearest authorized service depot. Transportation charges to and from the service location are not protected by this warranty and are the responsibility of the purchaser**

**Nothing within this warranty shall imply that Danby will be responsible or liable for any spoilage or damage to food or other contents of this appliance, whether due to any defect of the appliance, or its use, whether proper or improper.**

### EXCLUSIONS

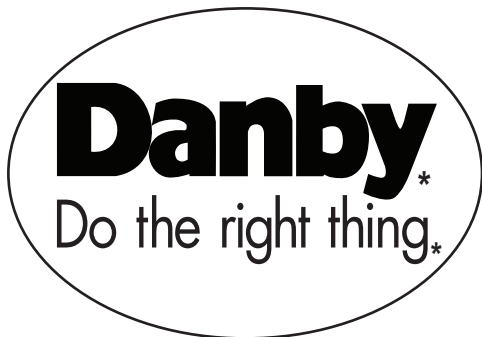
Save as herein provided, by Danby, there are no other warranties, conditions, representations or guarantees, express or implied, made or intended by Danby or its authorized distributors and all other warranties, conditions, representations or guarantees, including any warranties, conditions, representations or guarantees under any Sale of Goods Act or like legislation or statute is hereby expressly excluded. **Save as herein provided, Danby shall not be responsible for any damages to persons or property, including the unit itself, howsoever caused or any consequential damages arising from the malfunction of the unit and by the purchase of the unit, the purchaser does hereby agree to indemnify and hold harmless Danby from any claim for damages to persons or property caused by the unit.**

### GENERAL PROVISIONS

No warranty or insurance herein contained or set out shall apply when damage or repair is caused by any of the following:

- 1) Power failure.
- 2) Damage in transit or when moving the appliance.
- 3) Improper power supply such as low voltage, defective house wiring or inadequate fuses.
- 4) Accident, alteration, abuse or misuse of the appliance such as inadequate air circulation in the room or abnormal operating conditions (ie. extremely high or low room temperature).
- 5) Use for commercial or industrial purposes (ie. If the appliance is not installed in a domestic residence).
- 6) Fire, water damage, theft, war, riot, hostility, acts of God such as hurricanes, floods etc.
- 7) Service calls resulting in customer education.
- 8) Improper Installation (ie. Building-in of a free standing appliance or using an appliance outdoors that is not approved for outdoor application, including but not limited to: garages, patios, porches or anywhere that is not properly insulated or climate controlled).

**Proof of purchase date will be required for warranty claims; retain bills of sale. In the event that warranty service is required, present the proof of purchase to our authorized service depot.**



Nous sommes fiers de nos produits de qualité et nous croyons en un service fiable. Vous avez droit à la couverture de la garantie telle que décrite dans ce manuel du propriétaire.

| RÉFRIGÉRATEUR COMPACT D'EXTÉRIEUR |             |
|-----------------------------------|-------------|
| Numéro de modèle                  | DAR044A1SSO |
| Numéro de série                   |             |
| Date d'achat                      |             |

Veillez noter votre numéro de série et la date d'achat. **Vous devez conserver la preuve d'achat originale pour bénéficier des services de garantie.**

Enregistrez votre nouvel appareil en ligne et remplissez un sondage sur le produit pour recevoir une **EXTENSION DE GARANTIE GRATUITE DE 2 MOIS** sur [www.danby.com/support/product-registration/](http://www.danby.com/support/product-registration/)

Visitez [www.Danby.com](http://www.Danby.com) pour accéder aux outils en libre-service, aux FAQ et bien plus encore.

Pour le **service client**, veuillez remplir le formulaire Web à l'adresse [www.danby.com/support](http://www.danby.com/support) ou appeler le **1-800-263-2629**.

Danby Products Ltd, Guelph, Ontario, Canada N1H 6Z9  
Danby Products Inc, Findlay, Ohio, USA 45840

\*Marque de commerce des produits Danby

Imprimé en chine



## Informations de sécurité importantes

### LISEZ ET SUIVEZ TOUTES LES INSTRUCTIONS DE SÉCURITÉ

**LA TEMPÉRATURE AMBIANTE RECOMMANDÉE POUR L'OPÉRATION OPTIMALE EST DE 7°C (45°F) À 43°C (109°F), QUAND IL N'EST PAS EN PLEIN SOLEIL.**

## EXIGENCES DE SÉCURITÉ

**DANGER** : Risque d'incendie ou d'explosion. Liquide frigorigène inflammable utilisé. Ne pas percer les tubes de réfrigérant.

- N'utilisez pas de dispositifs mécaniques pour dégivrer le réfrigérateur.
- Assurez-vous que l'entretien est effectué par le personnel de service autorisé en usine, afin de minimiser les dommages sur les produits ou les questions de sécurité.
- Consultez le manuel de réparation ou le guide du propriétaire avant d'essayer de réparer ce produit. Toutes les précautions de sécurité doivent être respectées.
- Éliminer conformément aux règlements fédéraux ou locaux.
- Suivez attentivement les instructions de manutention.
- Ne pas stocker des substances explosives comme les bombes aérosol avec un propulseur inflammable dans cet appareil.
- Convient pour une utilisation en camping.

**AVERTISSEMENT** : Garder les ouvertures de ventilation, dans l'enceinte de l'appareil ou dans la structure intégrée, sans obstruction.

**AVERTISSEMENT** : N'utilisez pas de dispositifs mécaniques ou d'autres moyens pour accélérer le processus de dégivrage, autres que ceux recommandés par le fabricant.

**CONSERVEZ CES INSTRUCTIONS!**



## Informations de sécurité importantes

### LISEZ ET SUIVEZ TOUTES LES INSTRUCTIONS DE SÉCURITÉ

**AVERTISSEMENT** : Ne pas endommager le circuit de réfrigérant.

**AVERTISSEMENT** : N'utilisez pas d'appareils électriques à l'intérieur des compartiments de stockage d'aliments de l'appareil, à moins qu'ils ne soient du type recommandé par le fabricant.

**ATTENTION** : Les enfants devraient être surveillés pour s'assurer qu'ils ne jouent pas avec l'appareil.

**DANGER** : Risque de piégeage des enfants. Avant de jeter un ancien appareil :

- Retirez la porte ou le couvercle.
- Laissez les étagères en place afin que les enfants ne puissent pas facilement monter à l'intérieur.

**DANGER**: N'ajoutez pas de verrou à la porte ou au couvercle. Cela peut entraîner le piégeage et le préjudice des enfants.

Cet appareil n'est pas destiné à être utilisé par des personnes (y compris des enfants) dont les capacités physiques, sensorielles ou mentales peuvent être différentes ou réduites, ou qui n'ont pas d'expérience ou de connaissances, à moins que ces personnes ne reçoivent de supervision ou de formation pour faire fonctionner l'appareil par une personne responsable de leur sécurité.

Cet appareil est destiné à être utilisé dans des applications domestiques et similaires telles que:

- Cuisines du personnel dans les magasins, les bureaux et autres environnements de travail;
- Les maisons de ferme et par les clients dans les hôtels, motels et autres environnements de type résidentiel;
- Chambres d'hôtes;
- Restauration et applications similaires non commerciales.

**CONSERVEZ CES INSTRUCTIONS!**



## Informations de sécurité importantes

### LISEZ ET SUIVEZ TOUTES LES INSTRUCTIONS DE SÉCURITÉ

## INSTRUCTIONS DE MISE À LA TERRE

Cet appareil doit être mis à la terre. La mise à la terre réduit le risque de choc électrique en fournissant un fil d'échappement pour le courant électrique.

Cet appareil possède un cordon doté d'un fil de mise à la terre avec une fiche à 3 broches. Le cordon d'alimentation doit être branché sur une prise correctement mise à la terre. Si la sortie est une prise murale à 2 broches, elle doit être remplacée par une prise murale à 3 broches correctement mise à la terre. La plaque signalétique en série indique la tension et la fréquence auxquelles l'appareil est conçu.

**AVERTISSEMENT** - Une utilisation incorrecte de la fiche de mise à la terre peut entraîner un risque d'électrocution. Consultez un électricien qualifié ou un agent de service si les instructions de mise à la terre ne sont pas complètement comprises ou s'il existe un doute quant à savoir si l'appareil est correctement mis à la terre.

**Ne branchez pas votre appareil à des rallonges ou avec un autre appareil dans la même prise murale.** Ne pas épisser le cordon d'alimentation. Ne coupez ou retirez en aucun cas la troisième broche du cordon d'alimentation. N'utilisez pas de cordons de prolongement ou d'adaptateurs sans mise à la terre (deux broches).

Si le cordon d'alimentation est endommagé, il doit être remplacé par le fabricant, son agent de service ou une personne qualifiée similaire afin d'éviter tout risque.

**CONSERVEZ CES INSTRUCTIONS!**

# INSTRUCTIONS D'INSTALLATION

## EMPLACEMENT

- Deux personnes doivent travailler ensemble pour déplacer l'appareil.
- Retirer l'emballage intérieur et extérieur avant l'installation. Essuyez l'extérieur avec un chiffon doux et sec et l'intérieur avec un chiffon humide tiède.
- Placez l'appareil sur un sol suffisamment solide pour le supporter lorsqu'il est complètement chargé.
- Une exposition prolongée à une chaleur extrême ou à la lumière directe du soleil peut nuire aux performances de cet appareil. Veuillez vérifier la température intérieure et le contenu si une chaleur extrême ou la lumière du soleil sont présentes pendant de longues périodes.
- Cet appareil convient à une utilisation en extérieur et résiste aux intempéries, mais il n'est pas étanche. N'utilisez pas cet appareil à proximité d'une piscine ou d'un bain à remous.
- Avant de brancher l'appareil à une source d'alimentation, laissez-le debout pendant environ 6 heures. Cela réduira la possibilité d'un dysfonctionnement du système de refroidissement dû à la manipulation pendant le transport.
- Le froid extrême affectera les performances et la fiabilité de cet appareil. N'utilisez pas cet appareil dans des environnements à 7°C (45°F) ou moins.

## INSTRUCTIONS DE NIVEAU

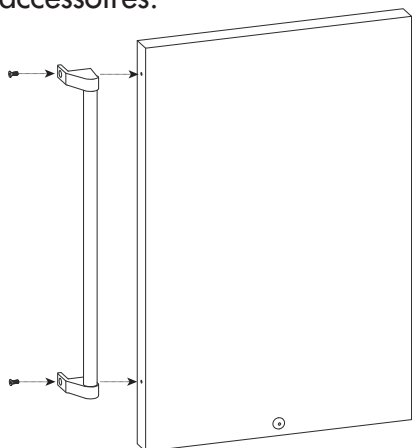
Il y a un pied réglable au bas de l'appareil qui peut être réglé vers le haut ou vers le bas pour s'assurer que l'appareil est au niveau.

1. Tournez le pied réglable dans le sens inverse des aiguilles d'une montre jusqu'à ce que le haut du pied touche le bas du châssis.
2. Tournez lentement le pied réglable dans le sens des aiguilles d'une montre jusqu'à ce que l'appareil soit à niveau.

# INSTRUCTIONS D'INSTALLATION

## INSTALLATION DE LA POIGNÉE DE PORTE

La poignée de porte sera expédiée à l'intérieur de l'armoire pour éviter tout dommage pendant le transport. Il peut être installé à l'aide de la clé hexagonale et des boulons hexagonaux fournis dans le sac d'accessoires.



### IMPORTANT

Assurez-vous que la porte est bien fermée lorsque l'appareil est en marche. Ne pas fermer complètement la porte peut entraîner une condensation excessive et des dégâts d'eau potentiels. Danby ne sera pas responsable des dommages résultant d'une mauvaise utilisation.

## DIMENSIONS

Cet appareil a les dimensions suivantes:

- 52 cm (20,5") de large sans la poignée
- 52,7 cm (20,7") de large avec la poignée.
- 84,1 cm (33,1") de hauteur avec les pieds réguliers
- 89 cm (35,1") avec les roulettes
- 52,4 cm (20,6") de profondeur sans la poignée
- 58,2 cm (22,9") de profondeur avec la poignée
  
- Laisser 12,7 cm (5 pouces) d'espace entre le dos, les côtés et le dessus de l'appareil et les parois adjacentes.
- Cet appareil est destiné uniquement à une installation autonome et ne doit pas être intégré dans une armoire ou un compteur. La construction de cet appareil peut provoquer un dysfonctionnement.

# INSTRUCTIONS D'UTILISATION

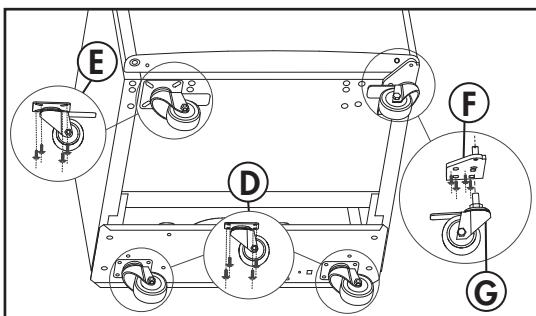
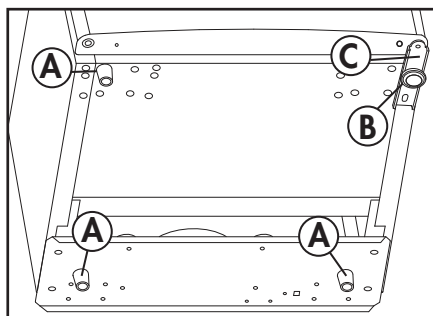
## INSTALLATION DE ROULETTE

Pour réduire le risque de blessures corporelles ou de dommages matériels, nous vous recommandons de débrancher l'appareil et d'utiliser deux personnes pour compléter l'installation du lanceur.

1. Placez l'appareil sur son dos. Protégez le sol et l'arrière de l'appareil contre les dommages en posant l'appareil sur une serviette ou une couverture.
2. Retirez les trois pieds solides. Dévissez le pied réglable. Gardez les pieds solides et le pied réglable pour une utilisation future.
3. Installez les roulettes non verrouillables à l'arrière de l'appareil où les trous de montage sont déjà pré-percés et filetés.
4. Installez la plus grande roulette de blocage à l'avant de l'appareil en face de la charnière.
5. Retirez la plaque de charnière installée sur l'appareil et remplacez-la par la plaque de charnière prévue dans la boîte à roulettes.
6. Utilisez la clé fournie dans le boîtier de la roulette pour installer la plus petite roulette de verrouillage dans le trou pré-percé de la plaque de charnière de la roulette.
7. Une fois terminé, laissez l'appareil se tenir debout pendant au moins 6 heures avant de le brancher pour éviter d'endommager les composants internes.

- A. Pieds pleins
- B. Pied réglable
- C. Plaque de charnière à pied réglable
- D. Roulettes sans verrouillage

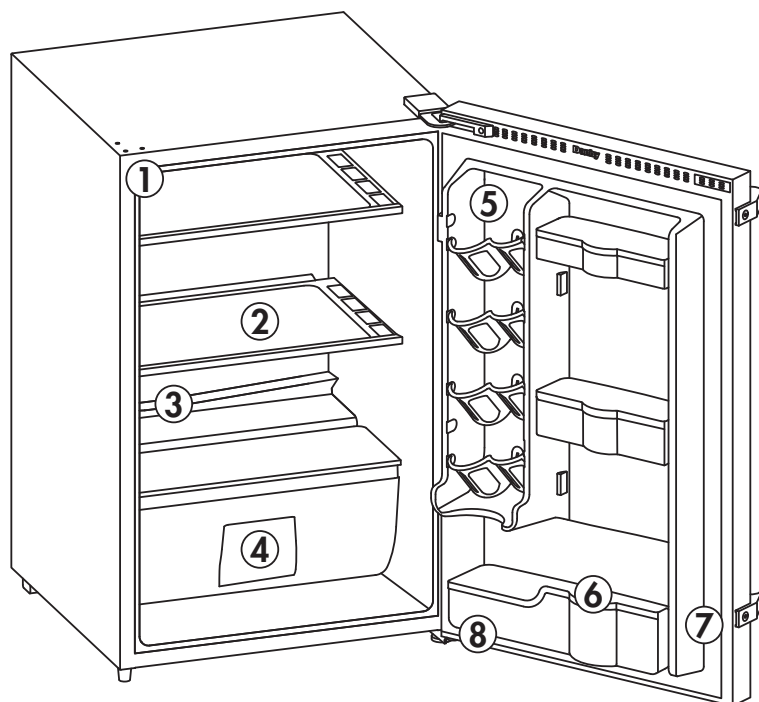
- E. Roulette de blocage plus grande
- F. Plaque de charnière de roulette
- G. Roulette de verrouillage plus petite



# INSTRUCTIONS D'UTILISATION

## CARACTÉRISTIQUES

1. **Lumière intérieure et cadran du thermostat:** La température peut être réglée en tournant la molette du thermostat sur le plafond intérieur de l'appareil.
2. **Étagères en verre**
3. **Sortie d'eau de dégivrage:** La glace qui se forme à l'intérieur de l'appareil décongèlera et évacue automatiquement cette sortie.
4. **Bac à légumes**
5. **Paroi de porte CANSTOR™:** Range les boîtes de boisson gazeuse, jus ou bière.
6. **Porte-bouteilles:** Pour les bouteilles, boîtes métalliques et bocaux.
7. **Joint étanche magnétique:** Le joint étanche empêche l'air frais de s'échapper.
8. **Pied réglable:** Ajustez afin que l'appareil soit au niveau.
9. **Verrouillage (non illustré):** Pour empêcher un enfant de se coincer, garder les clés hors de portée des enfants et pas près de l'appareil.



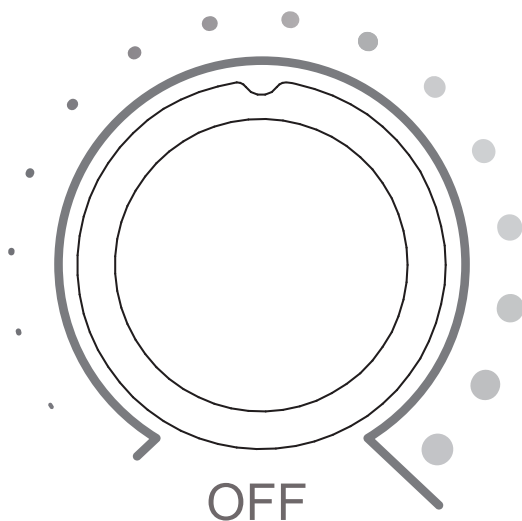
# INSTRUCTIONS D'UTILISATION

## SÉLECTION DE LA TEMPÉRATURE

La température de l'appareil peut être réglée en tournant la molette du thermostat.

- Les points plus grands indiquent le réglage le plus froid.
- Les points plus petits indiquent le réglage le plus chaud.
- La position "OFF" désactive la fonction de refroidissement.

La température interne de l'appareil peut varier en fonction de la température ambiante, de la quantité d'objets stockés et de la fréquence d'ouverture de la porte.



## INSTRUCTIONS D'UTILISATION

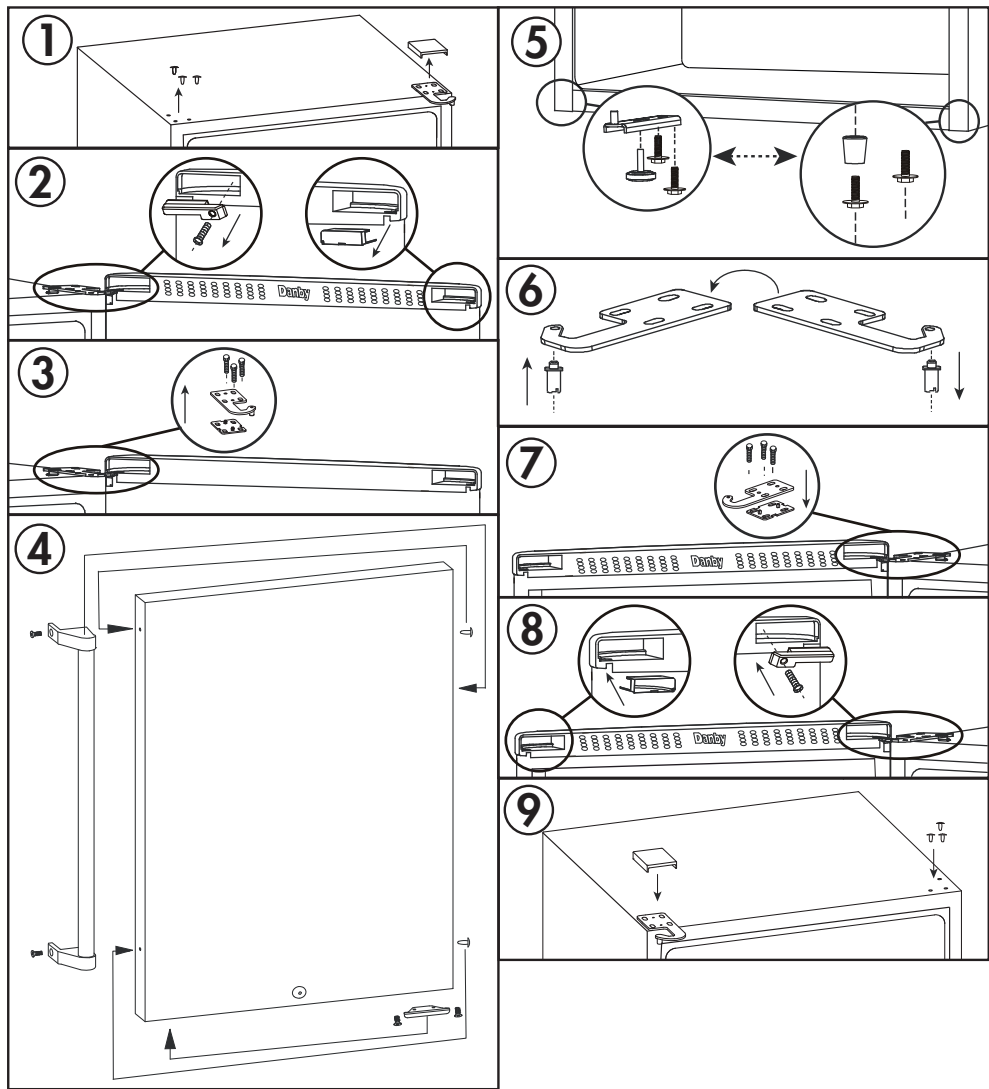
### INSTRUCTIONS D'INVERSION DE PORTE

Si l'appareil est placé sur le dos ou sur le côté pendant une durée quelconque au cours de ce processus, il doit être autorisé à rester debout pendant 6 heures avant de le brancher pour éviter d'endommager les composants internes.

1. Retirez le couvercle de la charnière du côté supérieur droit de l'armoire. Retirez les couvercles des trous de vis du côté supérieur gauche de l'armoire.
2. Retirez le couvercle de l'axe de porte qui recouvre le trou de charnière sur le côté supérieur gauche de la porte. Retirez le couvercle du trou du côté supérieur droit de la porte. Le retrait du couvercle du trou peut nécessiter un tournevis à lame plate.
3. Retirez la charnière supérieure et le joint de la charnière supérieure du côté supérieur droit de l'armoire. Retirez la porte de l'armoire.
4. Déplacez le bloc d'arrêt du côté inférieur droit de la porte vers le côté inférieur gauche de la porte. Déplacez la poignée de la porte vers le côté droit de la porte. Déplacez les couvercles des trous de vis du côté droit de la porte vers le côté gauche de la porte.
5. Retirez le pied réglable et la charnière inférieure du côté inférieur droit de l'armoire. Retirez le pied solide et les vis du côté inférieur gauche de l'armoire. Installez le pied solide sur le côté inférieur droit de l'armoire. Installez la charnière inférieure et le pied réglable sur le côté inférieur gauche de l'armoire.
6. Retirez l'axe de charnière de la charnière supérieure. Retournez la charnière et réinstallez l'axe de charnière de l'autre côté.
7. Installez la porte sur l'armoire. Installez la charnière supérieure et le joint de la charnière supérieure.
8. Installez le couvercle du trou sur le côté supérieur gauche de la porte. Retirez le couvercle de l'axe de porte du sac d'accessoires et installez-le sur le côté supérieur droit de la porte.
9. Installez le cache de charnière supérieur sur le côté supérieur gauche de la porte. Installez les couvercles des trous de vis sur le côté supérieur droit de la porte.

**Remarque:** lors de la réinstallation de la porte, assurez-vous que le haut de la porte est de niveau avec le haut de l'armoire et que le joint en caoutchouc fait une bonne étanchéité avec l'armoire tout autour.

# INSTRUCTIONS D'UTILISATION



### NETTOYAGE

- Assurez-vous que l'appareil est débranché avant de le nettoyer.
- Utilisez un chiffon doux pour nettoyer l'extérieur de l'appareil.
- Utilisez un chiffon doux et humide et un détergent doux pour nettoyer l'intérieur de l'appareil. Assurez-vous que l'intérieur est sec avant de brancher.
- Laver les étagères amovibles avec un détergent doux, puis sécher et essuyer avec un chiffon doux.
- Il est important de garder propre la zone où la porte se scelle contre l'armoire. Nettoyez cette zone avec un chiffon savonneux, puis rincez avec un chiffon humide et essuyez.
- N'utilisez pas de nettoyeurs contenant de l'ammoniac ou de l'alcool sur l'appareil car ils peuvent endommager l'apparence de la finition. N'utilisez jamais de nettoyeurs commerciaux ou abrasifs ou d'objets pointus sur aucune partie de l'appareil.

### PANNE DE COURANT

La plupart des pannes de courant ne durent que quelques heures et ne devraient pas modifier la température de votre l'appareil si vous réduisez au maximum le nombre de fois où la porte est ouverte. Si le courant reste coupé pendant une longue période, il faut prendre des mesures de protection du contenu de l'appareil.

**Remarque:** Attendez 3 à 5 minutes avant d'essayer de redémarrer le réfrigérateur si l'opération a été interrompue.

### DÉGIVRER

Cet appareil est équipé d'une fonction de dégivrage automatique et ne nécessite pas de dégivrage manuel. Le dégivrage de l'eau de l'appareil est canalisé dans un tiroir situé au-dessus du compresseur. Le transfert de chaleur du compresseur provoque l'évaporation de l'eau de dégivrage.

### VACANCES

- Courtes vacances: Laissez l'appareil fonctionner pendant les vacances durant moins de trois semaines.
- Longues vacances: Si l'appareil ne doit pas être utilisé pendant plusieurs mois, retirez tout ce qu'il contient et mettez-le hors tension. Nettoyez et asséchez à fond l'intérieur. Pour éviter les odeurs et le développement de moisissures, laissez la porte entrouverte, la coincer au besoin.

### DÉMÉNAGER

- Assurez-vous que l'appareil est vide.
- Fixez les étagères avec du ruban adhésif.
- Fixez la porte avec du ruban adhésif.
- Tournez le pied réglable jusqu'à la base pour éviter tout dommage.
- Protégez l'extérieur de l'appareil avec une couverture ou un objet similaire.
- Assurez-vous que l'appareil reste en position verticale pendant le transport.
- Si l'appareil est placé sur le dos ou sur le côté pendant le transport, à la destination, laissez-le reposer pendant 6 heures avant de le brancher pour éviter d'endommager les composants internes.

### ÉLIMINATION DES DÉCHETS

Ce produit ne doit pas être traité comme un déchet domestique ordinaire, il doit être transporté au point de collecte approprié pour le recyclage des composants électriques. Pour obtenir des renseignements sur les points de collecte des déchets locaux, communiquez avec votre agence locale de traitement des déchets ou avec le bureau du gouvernement.

## QUESTIONS FRÉQUEMMENT POSÉES

### **Quels sont la puissance et les amplis standard utilisés?**

Ces informations se trouvent sur la plaque signalétique située à l'arrière de l'armoire.

### **Combien cela coûte-t-il de faire fonctionner le congélateur?**

Veuillez vous référer au guide énergétique.

### **Puis-je utiliser une rallonge?**

Non, une rallonge ne peut pas être utilisée.

### **J'ai du mal à ouvrir la porte; Pourquoi?**

La porte du réfrigérateur peut être difficile à ouvrir immédiatement après sa fermeture. Ceci est normal et est dû à la différence de pression entre l'intérieur froid du réfrigérateur et l'air chaud qui vient d'entrer dans le réfrigérateur lors de son ouverture. La pression s'égalisera en quelques minutes.

### **J'avais mon frigo sur le côté pour le ramener à la maison.**

#### **Dois-je le laisser reposer? Et pour combien de temps?**

Oui, laissez-le reposer pendant 6 heures avant de le brancher.

### **Le réfrigérateur sent le nouveau plastique. Comment le faire disparaître?**

Il est courant que les nouveaux appareils aient une légère odeur de plastique. Assurez-vous d'avoir retiré tout le matériel d'emballage du réfrigérateur. Nettoyez l'intérieur du boîtier en suivant les instructions de nettoyage incluses dans le manuel du propriétaire. Une fois terminé, placez une boîte ouverte de bicarbonate de soude dans le réfrigérateur pour absorber toute odeur restante.

### **Comment régler la température?**

- Les points plus grands indiquent le réglage le plus froid.
- Les points plus petits indiquent le réglage le plus chaud.
- La position "OFF" désactive la fonction de refroidissement.

### **L'appareil n'est pas alimenté**

- Un fusible est peut-être grillé ou le disjoncteur s'est déclenché
- La fiche n'est pas complètement insérée dans la prise murale

### **Température interne pas assez froide**

- Le réglage de la température est trop chaud
- La porte n'est pas correctement fermée ou ouverte de manière excessive
- Récemment ajouté une grande quantité d'aliments chauds dans l'armoire
- Proche d'une source de chaleur ou de la lumière directe du soleil
- La température ambiante ou l'humidité est très élevée

### **Le réfrigérateur fonctionne en continu**

- Le réglage de la température est trop froid
- La porte n'est pas correctement fermée ou ouverte de manière excessive
- Récemment ajouté une grande quantité d'aliments chauds dans l'armoire
- Proche d'une source de chaleur ou de la lumière directe du soleil
- La température ambiante ou l'humidité est très élevée

### **Le réfrigérateur émet un gargouillis lorsqu'il fonctionne**

- Ce bruit est tout à fait normal. Le réfrigérant à l'intérieur de l'appareil émettra un gargouillis lorsqu'il passe d'un liquide à un gaz et vice-versa.

## GARANTIE LIMITÉE « EN ATELIER »

Cet appareil de qualité est garanti exempt de tout vice de matière première et de fabrication, s'il est utilisé dans les conditions normales recommandées par le fabricant. Cette garantie n'est offerte qu'à l'acheteur initial de l'appareil vendu par Danby Products Limited (Canada) ou Danby Products Inc. (É.-U.) (ci-après « Danby ») ou par l'un des ses distributeurs agréés et elle ne peut être transférée.

### CONDITIONS

**Les pièces en plastique sont garanties pendant trente (30) jours seulement à partir de la date de l'achat, sans aucune prolongation prévue.**

**Premiers 12 mois:** Pendant les premiers **vingt-quatre (24) mois**, toutes les pièces fonctionnelles de ce produit qui s'avèrent défectueuses seront réparées ou remplacées, selon le choix du garant, sans frais à l'acheteur initial.

**Pour obtenir un service:** Contactez le revendeur où l'appareil a été acheté ou contactez le dépôt de service Danby autorisé le plus proche, où le service doit être effectué par un technicien de service qualifié. Si le service est effectué sur l'appareil par une personne autre qu'un dépôt de service autorisé, toutes les obligations de Danby en vertu de cette garantie seront annulées.

**Il est de la responsabilité de l'acheteur de transporter l'appareil vers le dépôt de service agréé le plus proche. Les frais de transport entre votre domicile et le lieu de l'entretien ne sont pas couverts par la présente garantie et doivent être acquittés par l'acheteur.**

**Aucune partie de la garantie ne prévoit implicitement que le fabricant sera tenu responsable des dommages subis par les aliments ou d'autres types de contenu, qu'ils soient causés par la défectuosité de l'appareil ou par son usage adéquat ou inadéquat.**

### EXCLUSIONS

En vertu de la présente, il n'existe aucune autre garantie, condition ou représentation, qu'elle soit exprimée ou tacite, de façon manifeste ou intentionnelle, par Danby ou ses distributeurs agréés. De même, sont exclues toutes les autres garanties, conditions ou représentations, y compris les garanties, conditions ou représentations en vertu de toute loi régissant la vente de produits ou de toute autre législation ou règlement semblable. **En vertu de la présente, Danby ne peut être tenue responsable en cas de blessures corporelles ou de dégâts matériels, y compris à l'appareil, quelle qu'en soit la cause. Danby ne peut pas être tenue responsable des dommages indirects dus au fonctionnement défectueux de l'appareil. En achetant l'appareil, l'acheteur accepte de tenir sans reproche et de dégager Danby de toute responsabilité en cas de réclamation pour toute blessure corporelle ou tout dégât matériel causé par cet appareil.**

### CONDITIONS GÉNÉRALES

**La garantie ou assurance ci-dessus ne s'applique pas si les dégâts ou réparations sont dus aux cas suivants :**

- 1) Panne de courant.
- 2) Dommages subis pendant le transport ou le déplacement de l'appareil.
- 3) Alimentation électrique incorrecte (tension faible, câblage défectueux, fusibles incorrects).
- 4) Accident, modification, emploi abusif ou incorrect de l'appareil tel qu'une circulation d'air inadéquate dans la pièce ou des conditions de fonctionnement anormales (température extrêmement élevée ou basse).
- 5) Utilisation dans un but commercial ou industriel (à savoir, si l'appareil n'est pas installé dans un domicile résidentiel).
- 6) Incendie, dommages causés par l'eau, le vol, la guerre, une émeute, des hostilités, ou en cas de force majeure (ouragan, inondation, etc.).
- 7) Visites d'un technicien pour expliquer le fonctionnement de l'appareil au propriétaire.
- 8) Installation inappropriée (par exemple, encastrement d'un appareil autoportant, ou utilisation extérieure d'un appareil non conçu à cet effet, y compris, mais sans s'y limiter : les garages, les patios, les porches ou ailleurs, qui ne sont pas correctement isolés ou climatisés).

**La preuve de la date d'achat sera requise pour les réclamations de garantie; conserver la facture de vente. Dans le cas où un service de garantie est requis, présentez la preuve d'achat à notre dépôt de service agréé.**



Estamos orgullosos de nuestros productos de calidad y creemos en un servicio confiable. Tiene derecho a la cobertura de garantía como se describe en este manual del propietario.

| REFRIGERADOR COMPACTO PARA EXTERIOR |             |
|-------------------------------------|-------------|
| Número de modelo                    | DAR044A1SSO |
| Número de serie                     |             |
| Fecha de compra                     |             |

Anote su número de serie y la fecha de compra. **Debe conservar el comprobante original del recibo de compra para recibir los servicios de garantía.**

Registre su nuevo electrodoméstico en línea y complete una encuesta sobre el producto para recibir una **EXTENSIÓN GRATUITA DE 2 MESES DE GARANTÍA** en [www.danby.com/support/product-registration/](http://www.danby.com/support/product-registration/)

Visite [www.Danby.com](http://www.Danby.com) para acceder a herramientas de autoservicio, preguntas frecuentes y mucho más.

Para **servicio al cliente**, complete el formulario web en [www.danby.com/support](http://www.danby.com/support) o llame al **1-800-263-2629**.

Danby Products Ltd, Guelph, Ontario, Canada N1H 6Z9  
Danby Products Inc, Findlay, Ohio, USA 45840

\*Marca registrada de productos Danby

Impreso en China



## Información de Seguridad Importante

### LEA Y SIGA TODAS LAS INSTRUCCIONES DE SEGURIDAD

LA TEMPERATURA AMBIENTAL RECOMENDADA PARA EL FUNCIONAMIENTO ES DE 7°C (45°F) A 43°C (109°F) CUANDO NO ESTA BAJO LUZ DIRECTA DEL SOL.

## REQUERIMIENTOS DE SEGURIDAD

**PELIGRO:** Riesgo de incendio o explosión. Refrigerante inflamable usado. No perforar la tubería del refrigerante.

- No utilice dispositivos mecánicos para descongelar el refrigerador.
- Asegúrese de que el personal de mantenimiento autorizado por la fábrica haga el mantenimiento para minimizar los daños o problemas de seguridad del producto.
- Consulte el manual de reparación o la guía del propietario antes de intentar reparar este producto. Todas las precauciones de seguridad deben ser seguidas.
- Deseche adecuadamente de acuerdo con las regulaciones federales o locales.
- Siga cuidadosamente las instrucciones de manipulación.
- No almacene sustancias explosivas como aerosoles con propelente inflamable en este electrodoméstico.
- Adecuado para uso en camping.

**ADVERTENCIA:** Mantenga las aberturas de ventilación, en la caja del aparato o en la estructura incorporada, sin obstrucción.

**ADVERTENCIA:** No utilice dispositivos mecánicos u otros medios para acelerar el proceso de descongelación, distintos de los recomendados por el fabricante.

**¡GUARDA ESTAS INSTRUCCIONES!**



## Información de Seguridad Importante

### LEA Y SIGA TODAS LAS INSTRUCCIONES DE SEGURIDAD

**ADVERTENCIA:** No dañar el circuito refrigerante.

**ADVERTENCIA:** No utilice electrodomésticos dentro de los compartimentos de almacenamiento de alimentos del aparato, a menos que sean del tipo recomendado por el fabricante.

**PRECAUCIÓN:** Los niños deben ser supervisados para asegurarse de que no juegan con el aparato.

**PELIGRO:** Riesgo de atrapamiento de niños. Antes de tirar un electrodoméstico viejo:

- Retire la puerta o la tapa.
- Deje los estantes en su lugar para que los niños no puedan subir fácilmente dentro.

**PELIGRO:** No agregue un candado a la puerta o tapa. Esto puede causar atrapamiento y daño al niño.

Este aparato no está diseñado para ser usado por personas (incluyendo niños) cuyas capacidades físicas, sensoriales o mentales pueden ser diferentes o reducir, o que carecen de experiencia o conocimiento, a menos que dichas personas reciban supervisión o entrenamiento para operar el aparato por una persona responsable de su la seguridad.

Este dispositivo está destinado a ser utilizado en aplicaciones domésticas y similares, tales como:

- Cocinas de personal en tiendas, oficinas y otros entornos de trabajo;
- Casas rurales y clientes en hoteles, moteles y otros entornos de tipo residencial;
- Cama y desayuno;
- Catering y aplicaciones similares no minoristas.

**¡GUARDA ESTAS INSTRUCCIONES!**



## Información de Seguridad Importante

### LEA Y SIGA TODAS LAS INSTRUCCIONES DE SEGURIDAD

## INSTRUCCIONES DE CONEXION A TIERRA

Este aparato debe estar conectado a tierra. La puesta a tierra reduce el riesgo de descarga eléctrica proporcionando un cable de escape para la corriente eléctrica.

Este aparato tiene un cable que tiene un cable de conexión a tierra con un enchufe de 3 clavijas. El cable de alimentación debe estar enchufado en un tomacorriente que esté debidamente conectado a tierra. Si el tomacorriente es un enchufe de pared de 2 terminales, debe ser reemplazado por un tomacorriente de pared de 3 clavijas debidamente conectado a tierra. La placa de características en serie indica el voltaje y la frecuencia que el aparato está diseñado para.

**ADVERTENCIA** - El uso incorrecto del enchufe de conexión a tierra puede resultar en un riesgo de descarga eléctrica. Consulte a un electricista calificado o agente de servicio si las instrucciones de conexión a tierra no se entienden completamente o si existe duda sobre si el aparato está debidamente conectado a tierra.

**No conecte el aparato a los cables de extensión ni con otro aparato en la misma toma de corriente.** No empalme el cable de alimentación. No corte ni extraiga en ningún caso la tercera clavija de tierra del cable de alimentación. No utilice cables de extensión ni adaptadores sin conexión a tierra (dos clavijas).

Si el cable de alimentación está dañado, debe ser reemplazado por el fabricante, su agente de servicio o persona calificada similar para evitar riesgos.

**¡GUARDA ESTAS INSTRUCCIONES!**

## INSTRUCCIONES DE INSTALACIÓN

### UBICACIÓN

- Dos personas deben trabajar juntas para mover el aparato.
- Retire el embalaje interior y exterior antes de la instalación. Limpie el exterior con un paño suave y seco y el interior con un paño húmedo tibio.
- Coloque el electrodoméstico en un piso que sea lo suficientemente fuerte para soportarlo cuando esté completamente cargado.
- La exposición prolongada al calor extremo o la luz solar directa puede afectar negativamente el rendimiento de esta unidad. Verifique la temperatura interior y el contenido si hay calor extremo o luz solar durante períodos prolongados.
- Este aparato es adecuado para uso en exteriores y es resistente a la intemperie, sin embargo, no es resistente al agua. No utilice este aparato cerca de una piscina o bañera de hidromasaje.
- Antes de conectar el aparato a una fuente de alimentación, déjelo en posición vertical durante aproximadamente 6 horas. Esto reducirá la posibilidad de un mal funcionamiento en el sistema de enfriamiento debido al manejo durante el transporte.
- El frío extremo afectará el rendimiento y la confiabilidad de esta unidad. No use este aparato en ambientes con 7°C (45°F) o menos.

### INSTRUCCIONES DE NIVELACIÓN

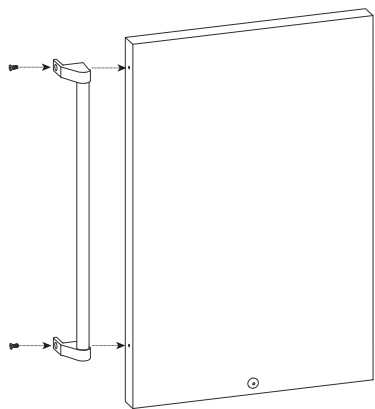
Hay un pie ajustable en la parte inferior del aparato que se puede subir o bajar para asegurarse de que el aparato esté nivelado.

1. Gire el pie ajustable en sentido contrario a las agujas del reloj hasta que la parte superior del pie toque la parte inferior del chasis.
2. Gire lentamente el pie ajustable en el sentido de las agujas del reloj hasta que el aparato esté nivelado.

# INSTRUCCIONES DE INSTALACIÓN

## INSTALACIÓN DE MANIJA DE PUERTA

La manija de la puerta se enviará dentro del gabinete para evitar daños durante el envío. Se puede instalar utilizando la llave hexagonal y los pernos hexagonales que se incluyen en la bolsa de accesorios.



### IMPORTANTE

Asegúrese de que la puerta esté completamente cerrada cuando el aparato esté en funcionamiento. Si no se cierra completamente la puerta, se puede producir una condensación excesiva y posibles daños por agua. Danby no será responsable por daños por mal uso.

## DIMENSIONES

Este aparato tiene las siguientes dimensiones:

- 52 cm (20,5") de ancho sin el asa
- 52,7 cm (20,7") de ancho con el asa.
- 84,1 cm (33,1") de altura con los pies normales
- 89 cm (35,1") con las ruedas
- 52,4 cm (20,6") de profundidad sin el asa
- 58,2 cm (22,9") de profundidad con el asa
- Espere 12.7 cm (5 pulgadas) de espacio entre la parte posterior, los lados y la parte superior del aparato y todas las paredes adyacentes.
- Este aparato está diseñado para instalación independiente y no está diseñado para ser instalado en un gabinete o mostrador. La construcción en este aparato puede causar un mal funcionamiento.

# INSTRUCCIONES DE OPERACIÓN

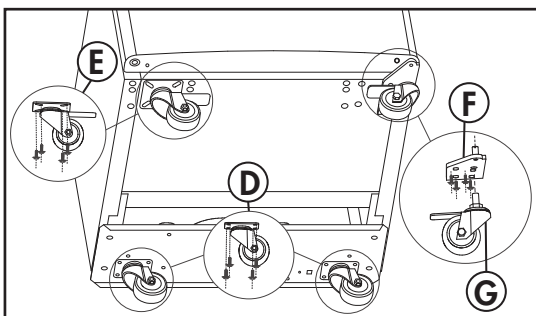
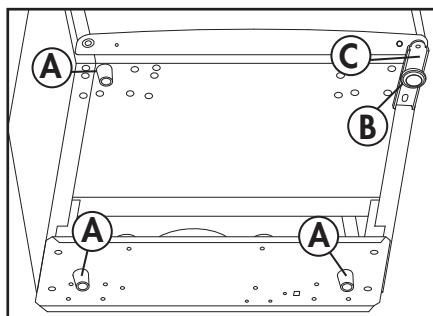
## INSTALACIÓN DE LA RUEDECILLA

Para reducir el riesgo de lesiones personales o daños a la propiedad, recomendamos desenchufar el aparato y usar dos personas para completar la instalación.

1. Coloque el aparato sobre su espalda. Proteja el suelo y la parte posterior de la unidad contra daños causados por la colocación del aparato sobre una toalla o una manta.
2. Retire los tres pies sólidos. Desenrosque el pie ajustable. Mantenga los pies sólidos y el pie ajustable para uso futuro.
3. Instale las ruedas sin bloqueo en la parte trasera del aparato donde los orificios de montaje ya estén perforados y roscados.
4. Instale la ruedecilla de bloqueo más grande en la parte frontal del aparato opuesta a la bisagra.
5. Retire la placa de bisagra instalada en el aparato y cámbiela por la placa de bisagra que se encuentra en la caja de ruedas.
6. Utilice la llave que se proporciona en la caja de la rueda para instalar la rueda de bloqueo más pequeña en el orificio pretaladrado en la placa de la bisagra de la rueda.
7. Una vez completado, deje que la unidad permanezca en posición vertical durante un mínimo de 6 horas antes de enchufarla para evitar daños a los componentes internos.

- A. Pies sólidos
- B. Pie ajustable
- C. Placa de bisagra ajustable
- D. Ruedas sin bloqueo

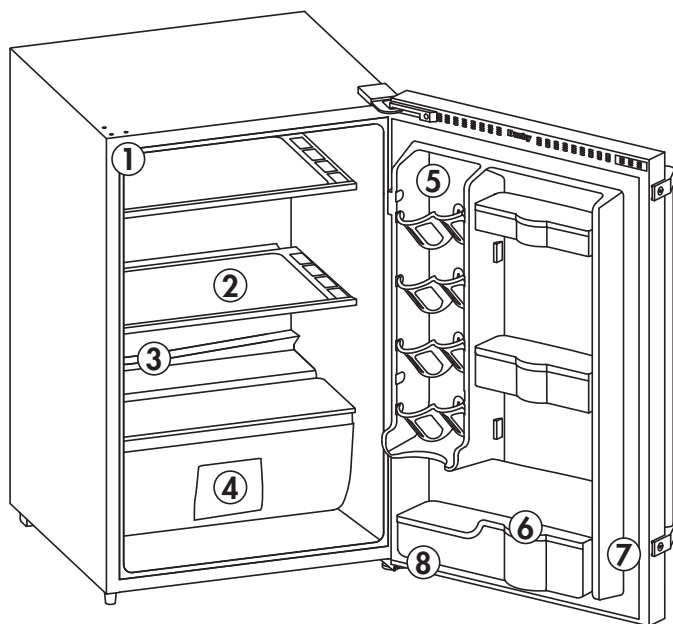
- E. Lanzador de bloqueo más grande
- F. Placa de la bisagra de la rueda
- G. Pequeña rueda de bloqueo



# INSTRUCCIONES DE OPERACIÓN

## CARACTERÍSTICAS

1. **Luz interior y dial del termostato:** La temperatura se puede ajustar girando el dial del termostato en el techo interior del aparato.
2. **Estanterías de vidrio**
3. **Salida de agua de descongelación:** El hielo que se forma en el interior del aparato se descongela y drena automáticamente a través de esta salida.
4. **Cajón de verduras**
5. **Lámina de puerta CANSTOR™:** Sostiene 355ml latas de pop, jugo o cerveza.
6. **Bastidores de botella:** Para latas altas, pequeñas y medianas o frascos.
7. **Junta magnética:** El cierre hermético de la puerta mantiene toda la potencia de enfriamiento bloqueada en su interior.
8. **Pie ajustable:** Ajuste para que la unidad esté nivelada.
9. **Bloqueo (no se muestra):** Para evitar que un niño se quede atrapado, mantenga las llaves fuera del alcance de los niños y no cerca del aparato.



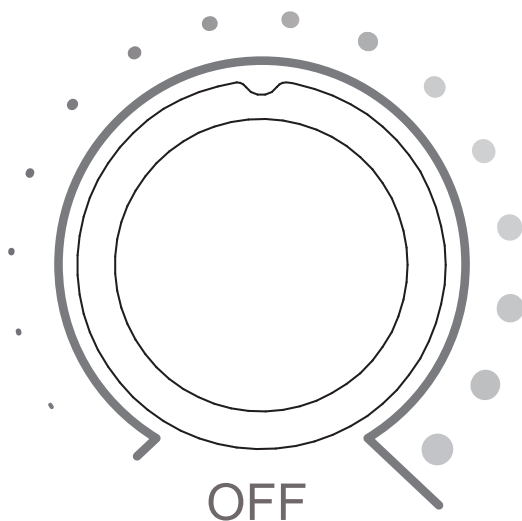
# INSTRUCCIONES DE OPERACIÓN

## SELECCION DE TEMPERATURA

La temperatura del aparato se puede ajustar girando el dial del termostato.

- Los puntos más grandes indican el ajuste más frío.
- Los puntos más pequeños indican el ajuste más cálido.
- La posición "OFF" desactivará la función de enfriamiento.

La temperatura interna del aparato puede variar en función de la temperatura ambiente, la cantidad de artículos almacenados y la frecuencia con que se abre la puerta.



## INSTRUCCIONES DE OPERACIÓN

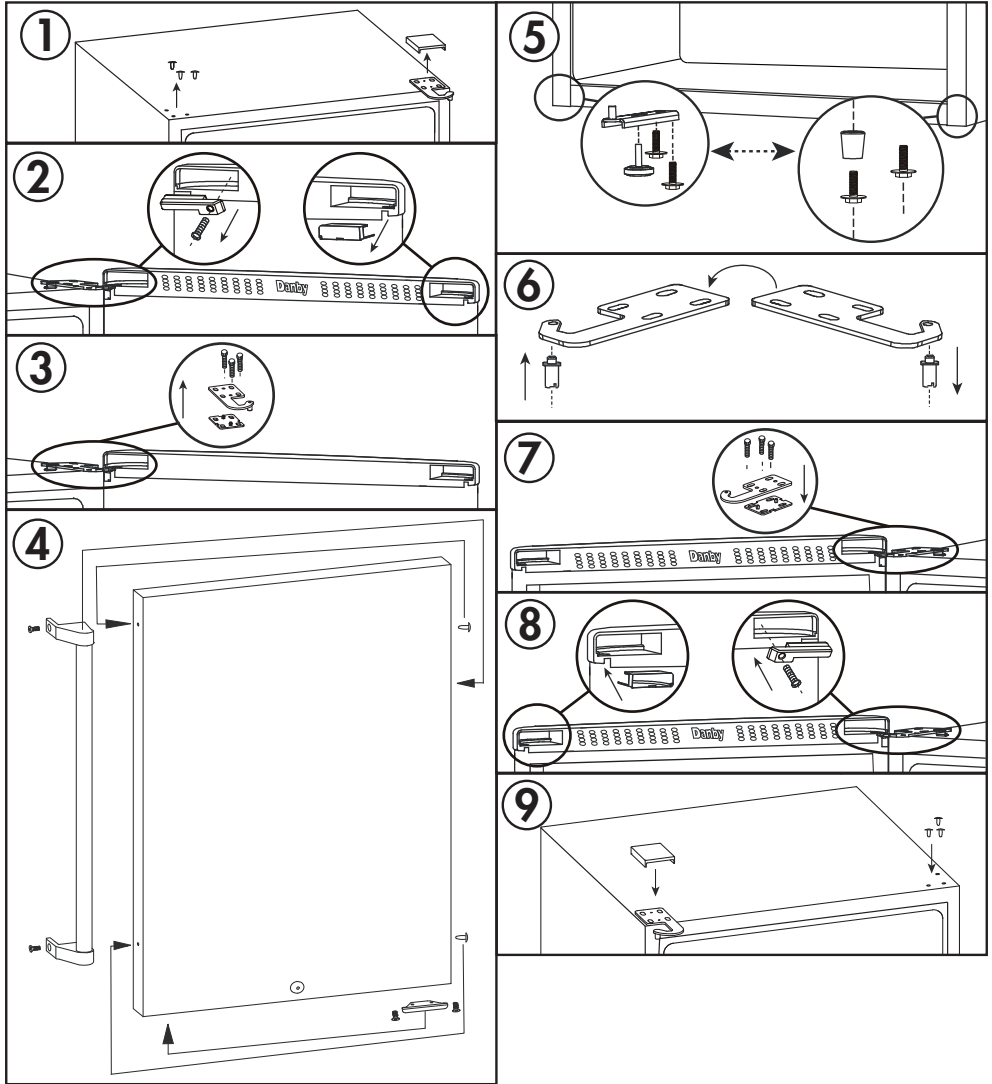
### INSTRUCCIONES DE INVERSIÓN DE PUERTA

Si el aparato se coloca boca arriba o de costado durante un período de tiempo durante este proceso, debe dejarlo en posición vertical durante 6 horas antes de enchufarlo para evitar daños a los componentes internos.

1. Retire la cubierta de la bisagra del lado superior derecho del gabinete. Retire las tapas de los orificios de los tornillos del lado superior izquierdo del gabinete.
2. Retire la cubierta del eje de la puerta que cubre el orificio de la bisagra en el lado superior izquierdo de la puerta. Retire la tapa del orificio del lado superior derecho de la puerta. Quitar la tapa del orificio puede requerir un destornillador de punta plana.
3. Retire la bisagra superior y la junta de la bisagra superior del lado superior derecho del gabinete. Retire la puerta del gabinete.
4. Mueva el bloque de tope desde el lado inferior derecho de la puerta hasta el lado inferior izquierdo de la puerta. Mueva la manija de la puerta hacia el lado derecho de la puerta. Mueva las tapas de los orificios de los tornillos del lado derecho de la puerta al lado izquierdo de la puerta.
5. Quite el pie ajustable y la bisagra inferior del lado inferior derecho del gabinete. Quite el pie sólido y los tornillos del lado inferior izquierdo del gabinete. Instale el pie sólido en el lado inferior derecho del gabinete. Instale la bisagra inferior y el pie ajustable en el lado inferior izquierdo del gabinete.
6. Retire el pasador de la bisagra de la bisagra superior. Dé la vuelta a la bisagra y vuelva a instalar el pasador de la bisagra en el otro lado.
7. Instale la puerta en el gabinete. Instale la bisagra superior y la junta de la bisagra superior.
8. Instale la tapa del agujero en el lado superior izquierdo de la puerta. Saque la cubierta del eje de la puerta de la bolsa de accesorios e instálela en el lado superior derecho de la puerta.
9. Instale la cubierta de la bisagra superior en el lado superior izquierdo de la puerta. Instale las cubiertas de los orificios de los tornillos en la parte superior derecha de la puerta.

**Nota:** Cuando reinstale la puerta, asegúrese de que la parte superior de la puerta esté nivelada con la parte superior del gabinete y que la junta de goma haga un buen sellado con el gabinete en todos los sentidos.

# INSTRUCCIONES DE OPERACIÓN



## CUIDADO Y MANTENIMIENTO

### LIMPIEZA

- Asegúrese de que el aparato esté desenchufado antes de limpiarlo.
- Utilice un paño suave para limpiar el exterior del aparato.
- Utilice un paño suave y húmedo y un poco de detergente suave para limpiar el interior del aparato. Asegúrese de que el interior esté seco antes de enchufarlo.
- Lave los estantes removibles con un detergente suave, luego séquelos y límpielos con un paño suave.
- Es importante mantener limpia el área donde la puerta sella contra el gabinete. Limpie esta área con un paño jabonoso, luego enjuague con un paño húmedo y seque.
- No utilice limpiadores que contengan amoníaco o alcohol en el aparato, ya que pueden dañar la apariencia del acabado. Nunca use limpiadores comerciales o abrasivos ni objetos afilados en ninguna parte del aparato.

### FALLO DE ALIMENTACIÓN

La mayoría de las fallas de alimentación se corrigen en pocas horas y no deben afectar la temperatura de su aparato si minimiza el número de veces que se abre la puerta. Si la alimentación va a estar apagada por un período de tiempo más largo, tome las medidas apropiadas para proteger su contenido.

**Nota:** Espere de 3 a 5 minutos antes de intentar reiniciar el refrigerador si se ha interrumpido la operación.

### DESCONGELAR

Esta unidad está equipada con una función de descongelación automática y no requiere descongelación manual. El agua de descongelación del aparato se canaliza en una bandeja de goteo situada por encima del compresor. La transferencia de calor desde el compresor hace que el agua de descongelación se evapore.

## **CUIDADO Y MANTENIMIENTO**

### **VACACIONES**

- Vacaciones cortas: Deje el aparato en funcionamiento durante las vacaciones de menos de tres semanas.
- Largas vacaciones: Si el aparato no se va a utilizar durante varios meses, retire todos los artículos y apague el aparato. Limpie y seque el interior a fondo. Para evitar el olor y el moho, deje la puerta ligeramente abierta, bloqueándola si es necesario.

### **MUDARSE**

- Asegúrese de que el electrodoméstico esté vacío.
- Asegure los estantes con cinta.
- Asegure la puerta con cinta.
- Gire el pie ajustable hacia la base para evitar daños.
- Proteja el exterior del electrodoméstico con una manta o artículo similar.
- Asegúrese de que el electrodoméstico permanezca en posición vertical durante el transporte.
- Si el electrodoméstico se coloca de espaldas o de lado durante el transporte, al llegar al destino, déjelo en posición vertical durante 6 horas antes de enchufarlo para evitar daños a los componentes internos.

### **DISPOSICIÓN**

Este aparato no puede ser tratado como un residuo doméstico normal, sino que debe ser llevado al punto de recogida de residuos apropiado para el reciclaje de componentes eléctricos. Para obtener información sobre los puntos de recogida de residuos locales, póngase en contacto con la agencia local de eliminación de residuos o con la oficina gubernamental.

## PREGUNTAS FRECUENTES

### **¿Cuál es la clasificación eléctrica?**

Esta información se puede encontrar en la placa de clasificación ubicada en la parte posterior del gabinete.

### **¿Cuánto cuesta hacer funcionar el congelador?**

Consulte la guía de energía.

### **¿Puedo usar un cable de extensión?**

No, no se puede usar un cable de extensión.

### **Tengo problemas para abrir la puerta; ¿por qué?**

La puerta del frigorífico puede resultar difícil de abrir inmediatamente después de cerrarla. Esto es normal y se debe a la diferencia de presión entre el interior frío del frigorífico y el aire caliente que acaba de entrar al frigorífico cuando se abrió. La presión se igualará en unos minutos.

### **Tenía mi refrigerador de lado para llevarlo a casa. ¿Tengo que dejarlo reposar? ¿Y por cuánto tiempo?**

Sí, déjelo en posición vertical durante 6 horas antes de enchufarlo.

### **El frigorífico huele a plástico nuevo. ¿Cómo hago para que desaparezca?**

Es común que los electrodomésticos nuevos tengan un ligero olor a plástico. Asegúrese de haber retirado todo el material de embalaje del frigorífico. Limpie el interior del gabinete siguiendo las instrucciones de limpieza incluidas en el manual del propietario. Una vez completado, coloque una caja abierta de bicarbonato de sodio en el refrigerador para absorber cualquier olor restante.

### **¿Cómo configuro la temperatura?**

- Los puntos más grandes indican el ajuste más frío.
- Los puntos más pequeños indican el ajuste más cálido.
- La posición "OFF" desactivará la función de enfriamiento.

### No funciona

- Es posible que se haya fundido un fusible o que se haya disparado el disyuntor
- El enchufe no está completamente insertado en el tomacorriente de pared

### La temperatura interna no es lo suficientemente fría

- El ajuste de temperatura es demasiado cálido
- La puerta no se cierra correctamente o se abre excesivamente
- Recientemente se agregó una gran cantidad de comida caliente al gabinete.
- Muy cerca de una fuente de calor o luz solar directa.
- La temperatura ambiente o la humedad es muy alta

### El refrigerador funciona continuamente

- El ajuste de temperatura es demasiado frío
- La puerta no se cierra correctamente o se abre excesivamente
- Recientemente se agregó una gran cantidad de comida caliente al gabinete.
- Muy cerca de una fuente de calor o luz solar directa.
- La temperatura ambiente o la humedad es muy alta

### El frigorífico hace un gorgoteo cuando está en funcionamiento

- Este ruido es completamente normal. El refrigerante dentro del aparato emitirá un gorgoteo cuando cambie de líquido a gas y viceversa.

## GARANTÍA LIMITADA "ACARREADO SOLAMENTE"

Se garantiza que este producto de calidad está libre de defectos de fabricación en materiales y mano de obra, siempre que la unidad se utilice en las condiciones de funcionamiento normales previstas por el fabricante. Esta garantía está disponible solo para la persona a la que Danby Products Limited (Canadá) o Danby Products Inc. (EE. UU.) (en adelante, "Danby") o un distribuidor autorizado de Danby vendieron originalmente la unidad, y no es transferible.

### TÉRMINOS DE GARANTÍA

**Las piezas de plástico tienen una garantía de treinta (30) días a partir de la fecha de compra, sin posibilidad de prórroga.**

**Primeros 12 meses:** Durante los primeros **veinticuatro (24) meses**, cualquier pieza funcional de este producto que se encuentre defectuosa será reparada o reemplazada, a elección del garante, sin cargo para el comprador original.

**Para obtener el servicio:** Comuníquese con el distribuidor donde compró la unidad, o comuníquese con el centro de servicio autorizado de Danby más cercano, donde el servicio debe ser realizado por un técnico de servicio calificado. Si el servicio de la unidad lo realiza alguien que no sea un centro de servicio autorizado, todas las obligaciones de Danby en virtud de esta garantía quedarán anuladas.

**Es responsabilidad del comprador transportar el aparato al depósito de servicio autorizado más cercano. Los cargos de transporte hacia y desde el lugar de servicio no están protegidos por esta garantía y son responsabilidad del comprador.**

**Nada dentro de esta garantía implicará que Danby será responsable por cualquier deterioro o daño a los alimentos u otros contenidos de este electrodoméstico, ya sea debido a cualquier defecto del electrodoméstico o su uso, ya sea adecuado o inadecuado.**

### EXCLUSIONES

Salvo lo dispuesto en el presente, por parte de Danby, no existen otras garantías, condiciones, representaciones o garantías, expresas o implícitas, hechas o previstas por Danby o sus distribuidores autorizados y todas las demás garantías, condiciones, representaciones o garantías, incluidas las garantías, condiciones, representaciones o garantías bajo cualquier Ley de Venta de Bienes o legislación o estatuto similar queda expresamente excluida. **Salvo lo dispuesto en el presente, Danby no será responsable de ningún daño a las personas o a la propiedad, incluida la unidad misma, cualquiera que sea su causa ni de ningún daño consecuente que surja del mal funcionamiento de la unidad y por la compra de la unidad, el comprador acepta por este medio indemnizar y eximir de responsabilidad a Danby de cualquier reclamo por daños a personas o propiedad causados por la unidad.**

### PROVISIONES GENERALES

**Ninguna garantía o seguro aquí contenido o establecido se aplicará cuando el daño o la reparación sean causados por cualquiera de los siguientes:**

1. Fallo de alimentación.
2. Daños durante el transporte o al mover el aparato.
3. Suministro de energía inadecuado, como bajo voltaje, cableado doméstico defectuoso o fusibles inadecuados.
4. Accidente, alteración, abuso o mal uso del aparato, como circulación de aire inadecuada en la habitación o condiciones de funcionamiento anormales (es decir, temperatura ambiente extremadamente alta o baja).
5. Uso con fines comerciales o industriales (es decir, si el aparato no está instalado en una residencia doméstica).
6. Incendio, daños por agua, robo, guerra, disturbios, hostilidad, actos de Dios como huracanes, inundaciones, etc.
7. Llamadas de servicio que resultan en la educación del cliente.
8. Instalación incorrecta (es decir, la instalación de un electrodoméstico independiente o el uso de un electrodoméstico en el exterior que no está aprobado para aplicaciones en el exterior, incluidos, entre otros, garajes, patios, porches o cualquier lugar que no esté debidamente aislado o climatizado).

**Se requerirá prueba de la fecha de compra para reclamos de garantía; conservar las facturas de venta. En caso de que se requiera servicio de garantía, presente el comprobante de compra en nuestro depósito de servicio autorizado.**