



<b>FROST FREE REFRIGERATOR</b> Owner's Manual.....	1 - 9
<b>RÉFRIGÉRATEUR SANS GIVRE</b> Manuel du propriétaire.....	10 - 18
<b>REFRIGERADOR SIN ESCARCHA</b> Manual del propietario.....	19 - 27

<b>MODEL • MODÈLE • MODELO</b>
DFF180E1WDB
DFF180E2SSDB

# Welcome

Welcome to the Danby family. We are proud of our quality products and we believe in dependable service. We suggest that you read this owner's manual before plugging in your new appliance as it contains important operation information, safety information, troubleshooting and maintenance tips to ensure the reliability and longevity of your appliance.

Visit [www.Danby.com](http://www.Danby.com) to access self service tools, FAQs and much more. For additional assistance call **1-800-263-2629**.

**Note the information below; you will need this information to obtain service under warranty. You must provide the original purchase receipt to validate your warranty and receive service.**

**Model Number:** \_\_\_\_\_

**Serial Number:** \_\_\_\_\_

**Date of Purchase:** \_\_\_\_\_

## Need Help?

Before you call for service, here are a few things you can do to help us serve you better.

**Read this owner's manual:**

It contains instructions to help you use and maintain your appliance properly.

**If you receive a damaged appliance:**

Immediately contact the retailer or builder that sold you the appliance.

**Save time and money:**

Check the troubleshooting section at the end of this manual before calling. This section will help you solve common problems that may occur.



1-800-26- Danby  
(1-800-263-2629)



## Important Safety Information

### READ AND FOLLOW ALL SAFETY INSTRUCTIONS

#### SAFETY REQUIREMENTS

**DANGER:** Risk of fire or explosion. Flammable refrigerant used. Do not puncture refrigerant tubing.

- Do not use mechanical devices to defrost refrigerator.
- Ensure that servicing is done by factory authorized service personnel, to minimize product damage or safety issues.
- If the power supply cord is damaged, it must be replaced by the manufacturer, its service agent or similar qualified person in order to avoid hazard.
- Consult repair manual or owner's guide before attempting to service this product. All safety precautions must be followed.
- Dispose of properly in accordance with federal or local regulations.
- Follow handling instructions carefully.
- Do not store explosive substances such as aerosol cans with a flammable propellant in this appliance.

**WARNING:** Keep ventilation openings, in the appliance enclosure or in the built-in structure, clear of obstruction.

**WARNING:** Do not use mechanical devices or other means to accelerate the defrosting process, other than those recommended by the manufacturer.

**WARNING:** Do not damage the refrigerant circuit.

**WARNING:** Do not use electrical appliances inside the food storage compartments of the appliance, unless they are of the type recommended by the manufacturer.

**CAUTION:** Children should be supervised to ensure that they do not play with the appliance.

**DANGER:** Risk of child entrapment. Before throwing away an old appliance:

- Remove the door or lid.
- Leave shelves in place so that children may not easily climb inside.

**DANGER:** Do not add a lock to the door or lid. This can cause child entrapment and harm.

#### SAFETY REQUIREMENTS

This appliance is not intended for use by persons (including children) whose physical, sensory or mental capabilities may be different or reduced, or who lack experience or knowledge, unless such persons receive supervision or training to operate the appliance by a person responsible for their safety.

This appliance is intended to be used in household and similar applications such as:

- Staff kitchen areas in shops, offices and other working environments;
- Farm houses and by clients in hotels, motels and other residential type environments;
- Bed and breakfast type environments;
- Catering and similar non-retail applications.

#### GROUNDING INSTRUCTIONS

This appliance must be grounded. Grounding reduces the risk of electrical shock by providing an escape wire for the electrical current.

This appliance has a cord that has a grounding wire with a 3-prong plug. The power cord must be plugged into an outlet that is properly grounded. If the outlet is a 2-prong wall outlet, it must be replaced with a properly grounded 3-prong wall outlet. The serial rating plate indicates the voltage and frequency the appliance is designed for.

**WARNING** - Improper use of the grounding plug can result in a risk of electric shock. Consult a qualified electrician or service agent if the grounding instructions are not completely understood, or if doubt exists as to whether the appliance is properly grounded.

**Do not connect your appliance to extension cords or together with another appliance in the same wall outlet.** Do not splice the power cord. Do not under any circumstances cut or remove the third ground prong from the power cord. Do not use extension cords or ungrounded (two prongs) adapters.

**SAVE THESE INSTRUCTIONS!**

# INSTALLATION INSTRUCTIONS

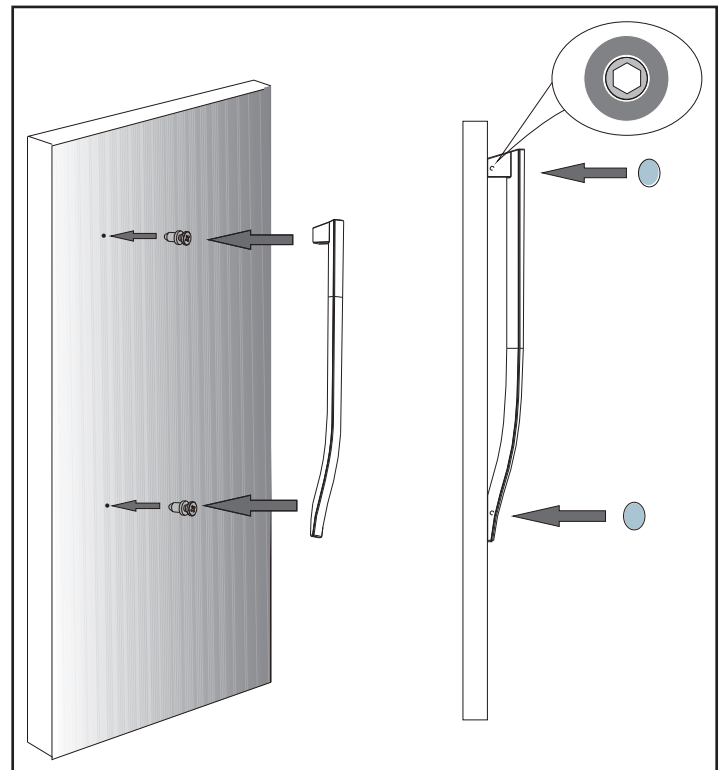
## LOCATION

- Two people should be used when moving the appliance.
- Remove interior and exterior packaging prior to installation. Wipe the outside of the appliance with a soft, dry cloth and the inside with a lukewarm wet cloth.
- Place the appliance on a floor that is strong enough to support it when it is fully loaded.
- Do not place the appliance in direct sunlight or near sources of heat, such as a stove or heater, as this can increase electrical consumption. Extreme cold ambient temperatures may also cause the appliance to perform improperly.
- Do not use the appliance near water, for example in a wet basement or near a sink.
- This appliance is intended for household use only. It is not designed for outside installation, including anywhere that is not temperature controlled (garages, porches, vehicles, etc.).
- Before connecting the appliance to a power source, let it stand upright for approximately 6 hours. This will reduce the possibility of a malfunction in the cooling system from handling during transportation.
- This appliance is 74.9 cm (29.5 inches) wide by 164.8 cm (64.9 inches) high by 83.3 cm (32.8 inches) deep. Make sure that you leave the minimum amount of space between the appliance and all surrounding walls and vents.
- Allow 12.7 cm (5 inches) of space between the back of the appliance and the wall. Allow 5 cm (2 inches) of space between the sides and top of the appliance and any adjacent walls.
- This appliance is intended for free-standing installation only and is not intended to be built into a cabinet or counter. Building in this appliance can cause it to malfunction.

## DOOR HANDLE INSTALLATION

To avoid possible damage during shipment, the handle must be installed by the end user.

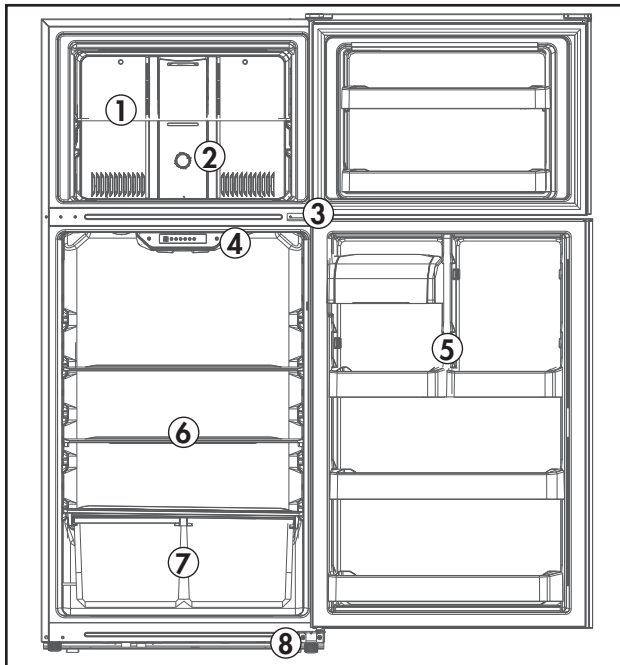
1. Remove the bolts from the accessory bag. Remove the screw hole covers from the front of the door. Install the bolts in the screw holes.
2. Install the door handle over the bolts and ensure the handle is touching the door surface.
3. Tighten the screws in the side of the handle to secure the handle to the door.
4. Find the screw caps in the accessory bag. Insert them over the screws in the handle.



# OPERATING INSTRUCTIONS

## FEATURES

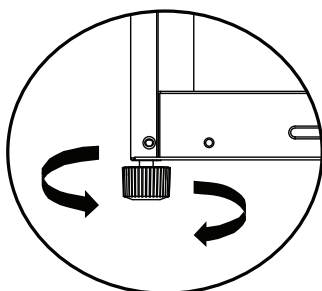
1. Wire Freezer Shelf
2. Air Duct Dial
3. Magnetic Gasket
4. Display Panel
5. Molded Plastic Door Storage
6. Glass Refrigerator Shelves
7. Crisper
8. Adjustable Feet



## LEVELING INSTRUCTIONS

There are two adjustable feet on the bottom of the appliance that can be turned up or down to ensure that the appliance is level.

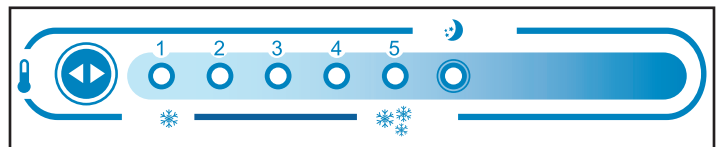
1. Turn the leveling feet counter-clockwise as far as they will go, until the top of the foot is touching the bottom of the cabinet.
2. Slowly turn the leveling legs clockwise until the appliance is level.



## REFRIGERATOR TEMPERATURE SELECTION

The refrigerator control panel is located on the inner ceiling of the refrigerator compartment. When the appliance is first plugged in, the lights on the display will all illuminate for 3 seconds while the control board boots up. When the lights go out, the refrigerator is functioning normally and the temperature can be set.

Press the Set button repeatedly to set the temperature of the appliance between 1 and 5. 1 is the warmest setting and 5 is the coldest setting. The indicator light will illuminate to show which level is currently selected.



## SLEEP MODE

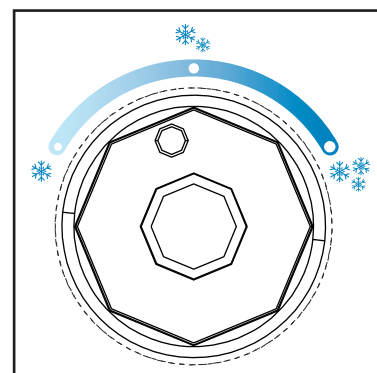
Press and hold the Set button for 3 seconds to place the appliance in sleep mode.

While in sleep mode, the sleep mode light will illuminate and the compressor will not run. This allows the door of the refrigerator to be left open while cleaning or adding large amounts of food without using energy.

To cancel sleep mode, press the Set button once and the refrigerator will return to normal functioning.

## FREEZER TEMPERATURE SELECTION

The freezer control is located on the back wall of the freezer compartment. Turn the dial to set the freezer to the desired temperature.

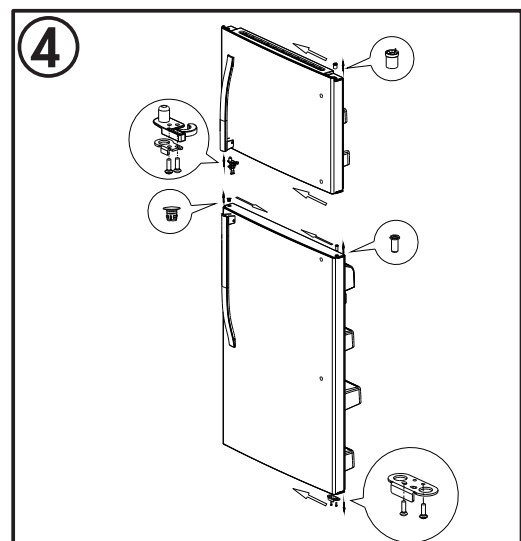
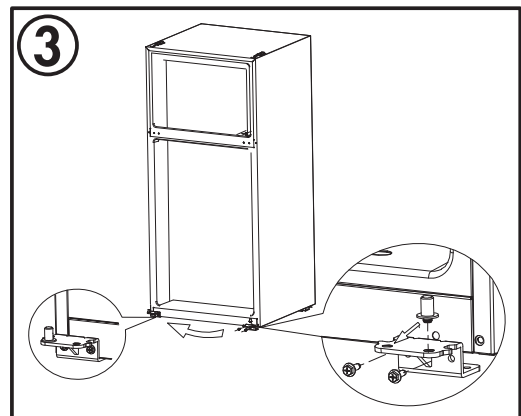
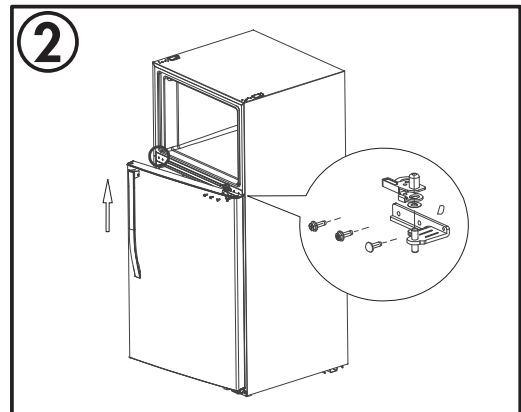
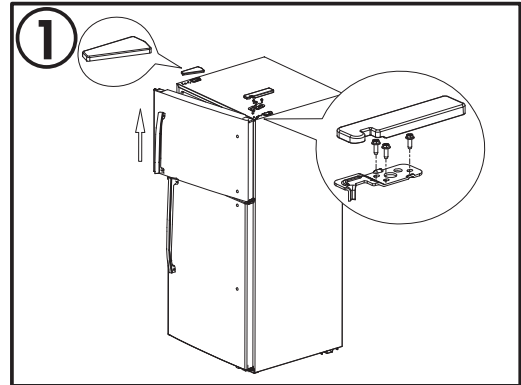


# OPERATING INSTRUCTIONS

## DOOR REVERSAL INSTRUCTIONS

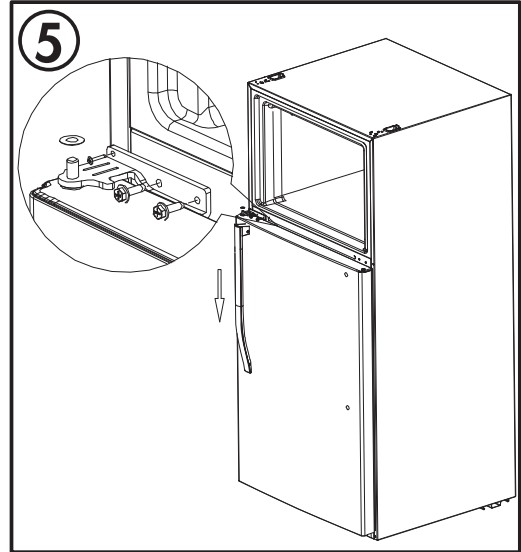
If the appliance is placed on its back or side for any length of time during this process, it must be allowed to remain upright for 6 hours before plugging it in to avoid damage to the internal components.

1. Remove the cover plate on the top left side of the cabinet. Remove the hinge cover and the upper hinge from the top left side of the cabinet.
2. Lift the freezer door upwards to remove it from the cabinet. Remove the center hinge. Lift the refrigerator door upwards to remove it from the cabinet.
3. Remove the lower hinge from the bottom right side of the cabinet. Unscrew the hinge shaft from the right side of the lower hinge and move it to the left side of the lower hinge. Install the lower hinge on the left side of the cabinet.
4. Remove the hinge sleeves from the top right side of the refrigerator and freezer doors. Remove the hole covers from the top left side of the refrigerator and freezer doors. Insert the hole covers in the holes on the top right side of the doors. Insert the hinge sleeves in the holes on the top left side of the doors. Remove the self-locking block and the door stopper from the bottom right side of the freezer door and install it on the bottom left side of the freezer door. Remove the door stopper from the bottom right side of the refrigerator door and install it on the bottom left side of the refrigerator door.

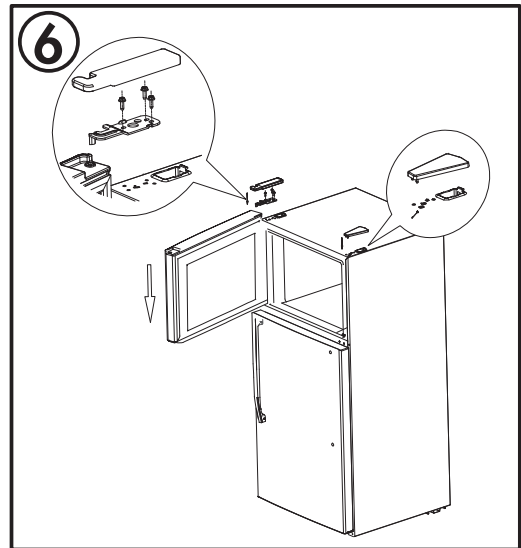


## OPERATING INSTRUCTIONS

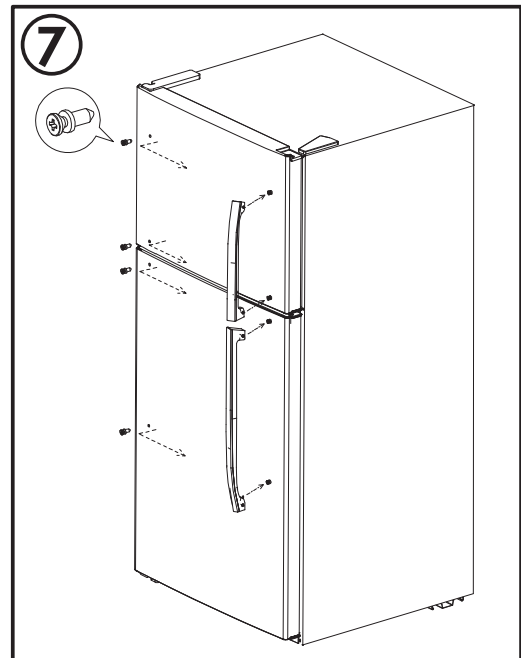
5. Install the refrigerator door on the lower hinge. Remove the left center hinge from the accessory bag and install it on the cabinet.



6. Install the freezer door on the center hinge. Install the upper hinge on the top left side of the cabinet. Install the cover plate on the top right side of the cabinet.



7. Move the freezer and refrigerator door handles to the right side of the cabinet.



## CARE & MAINTENANCE

### CLEANING

Ensure the appliance is unplugged before cleaning.

- To clean the inside of the appliance, use a soft cloth and a solution of a tablespoon of baking soda to one quart of water or some mild detergent.
- Wash removable shelves in a mild detergent solution, then dry and wipe with a soft cloth.
- Clean the outside with a soft, damp cloth and some mild detergent.
- It is important to keep the area clean where the door seals against the cabinet. Clean this area with a soapy cloth. Rinse with a damp cloth and let dry.

**Note:** Do not use cleaners containing ammonia or alcohol on the appliance. Ammonia or alcohol can damage the appearance of the appliance. Never use any commercial or abrasive cleaners or sharp objects on any part of the appliance.

### POWER FAILURE

Most power failures are corrected within a few hours and should not affect the temperature of the appliance if the door is only opened when absolutely necessary. If the power is going to be off for a longer period of time, take the proper steps to protect the contents.

**Note:** Wait 3 to 5 minutes before attempting to restart the refrigerator if operation has been interrupted.

### DEFROSTING

This appliance is equipped with an automatic defrost function and does not require manual defrosting. Defrost water from the appliance is channeled into a drip tray located above the compressor. Heat transfer from the compressor causes the defrost water to evaporate.

### INTERIOR LIGHT

To replace the LED light bulb:

1. Unplug the refrigerator.
2. The light bulb is located at the top of the refrigerator cabinet.
3. Using a screwdriver, remove the screw securing the light cover, then remove the light cover.
4. Replace the LED with a new LED, input rating: 115V AC 3.5 W.
5. Replace the light cover.
6. Plug the refrigerator back in and resume normal functioning.

### VACATION

- **Short vacations:** Leave the appliance operating during vacations of less than three weeks.
- **Long vacations:** If the appliance will not be used for several months, remove all items and turn off the appliance. Clean and dry the interior thoroughly. To prevent odor and mold growth, leave the door open slightly, blocking it open if necessary.

### MOVING

- Remove all contents.
- Secure the shelves inside the appliance.
- Turn the adjustable legs up to avoid damage.
- Tape the door shut.
- Be sure the appliance stays in the upright position during transportation. Protect the outside of the appliance with a blanket.
- If the appliance is placed on its back or side during transportation, upon reaching the destination, allow it to remain upright for 6 hours before plugging in to avoid damage to internal components.

### DISPOSAL

This appliance may not be treated as regular household waste, it should be taken to the appropriate waste collection point for recycling of electrical components. For information on local waste collection points, contact your local waste removal agency or government office.



## TROUBLESHOOTING

**Danby Consumer Care: 1-800-263-2629**

**Hours of operation:**

Monday to Thursday 8:30 am - 6:00 pm Eastern Standard Time

Friday 8:30 am - 4:00 pm Eastern Standard Time

Information in this manual is subject to change without notice.

<b>PROBLEM</b>	<b>POSSIBLE CAUSE</b>
<b>No power</b>	<ul style="list-style-type: none"><li>• A fuse may be blown or the circuit breaker tripped</li><li>• Plug not fully inserted into the wall outlet</li></ul>
<b>Internal temperature not cold enough</b>	<ul style="list-style-type: none"><li>• Temperature setting is too warm</li><li>• Door is not shut properly or opened excessively</li><li>• Recently added a large quantity of warm food to the cabinet</li><li>• Close proximity to heat source or direct sunlight</li><li>• Ambient temperature or humidity is very high</li></ul>
<b>Appliance runs continuously</b>	<ul style="list-style-type: none"><li>• Temperature setting is too cold</li><li>• Door is not shut properly or opened excessively</li><li>• Recently added a large quantity of warm food to the cabinet</li><li>• Close proximity to heat source or direct sunlight</li><li>• Ambient temperature or humidity is very high</li></ul>
<b>Internal temperature is too cold</b>	<ul style="list-style-type: none"><li>• Temperature setting is too cold</li></ul>
<b>Noises</b>	<ul style="list-style-type: none"><li>• Parts are expanding or the refrigerant is circulating; this is normal</li></ul>

## LIMITED "IN HOME" WARRANTY

This quality product is warranted to be free from manufacturer's defects in material and workmanship, provided that the unit is used under the normal operating conditions intended by the manufacturer.

This warranty is available only to the person to whom the unit was originally sold by Danby Products Limited (Canada) or Danby Products Inc. (U.S.A.) (hereafter "Danby") or by an authorized distributor of Danby, and is non-transferable.

### TERMS OF WARRANTY

Plastic parts are warranted for thirty (30) days from the date of purchase, with no extensions provided.

**First 12 months** During the first **twelve (12) months**, any functional parts of this product found to be defective, will be repaired or replaced, at warrantor's option, at no charge to the original purchaser.

**To obtain service** Contact the dealer where the unit was purchased, or contact the nearest authorized Danby service depot, where service must be performed by a qualified service technician. If service is performed on the unit by anyone other than an authorized service depot, all obligations of Danby under this warranty shall be void.

**Boundaries of in-home service** Danby reserves the right to limit the boundaries of "In Home Service" to the proximity of an authorized service depot. Any appliance requiring service outside the limited boundaries of "In Home Service", will be the consumer's responsibility to transport at their own expense to the original point of purchase or a service depot for repair. If the appliance is installed in a location that is **100 kilometers (62 miles)** or more from the nearest service center, it must be delivered to the nearest authorized Danby Service Depot by the purchaser.

Transportation charges to and from the service location are not protected by this warranty and are the responsibility of the purchaser.

Nothing within this warranty shall imply that Danby will be responsible or liable for any spoilage or damage to food or other contents of this appliance, whether due to any defect of the appliance, or its use, whether proper or improper.

### EXCLUSIONS

Save as herein provided, by Danby, there are no other warranties, conditions, representations or guarantees, express or implied, made or intended by Danby or its authorized distributors and all other warranties, conditions, representations or guarantees, including any warranties, conditions, representations or guarantees under any Sale of Goods Act or like legislation or statute is hereby expressly excluded. Save as herein provided, **Danby shall not be responsible for any damages to persons or property, including the unit itself, howsoever caused or any consequential damages arising from the malfunction of the unit and by the purchase of the unit, the purchaser does hereby agree to indemnify and hold harmless Danby from any claim for damages to persons or property caused by the unit.**

### GENERAL PROVISIONS

No warranty or insurance herein contained or set out shall apply when damage or repair is caused by any of the following:

- 1) Power failure.
- 2) Damage in transit or when moving the appliance.
- 3) Improper power supply such as low voltage, defective house wiring or inadequate fuses.
- 4) Accident, alteration, abuse or misuse of the appliance such as inadequate air circulation in the room or abnormal operating conditions (ie. extremely high or low room temperature).
- 5) Use for commercial or industrial purposes (ie. If the appliance is not installed in a domestic residence).
- 6) Fire, water damage, theft, war, riot, hostility, acts of God such as hurricanes, floods etc.
- 7) Service calls resulting in customer education.
- 8) Improper Installation (ie. Building-in of a free standing appliance or using an appliance outdoors that is not approved for outdoor application, including but not limited to: garages, patios, porches or anywhere that is not properly insulated or climate controlled).

Proof of purchase date will be required for warranty claims; retain bills of sale. In the event that warranty service is required, present the proof of purchase to our authorized service depot.

**Warranty Service  
In Home**

Danby Products Limited  
PO Box 1778, Guelph, Ontario, Canada N1H 6Z9  
Telephone: (519) 837-0920 FAX: (519) 837-0449

**1-800-263-2629  
04/17**

Danby Products Inc.  
PO Box 669, Findlay, Ohio, U.S.A. 45840  
Telephone: (419) 425-8627 FAX: (419) 425-8629

# Bienvenue

Bienvenue à la famille Danby. Nous sommes fiers de la qualité de nos produits et nous croyons en le service fiable. Nous vous suggérons de lire ce manuel d'utilisation avant de brancher votre nouvel appareil car il contient des informations importantes sur l'utilisation, la sécurité, le dépannage et la maintenance, afin d'assurer la fiabilité et la longévité de votre appareil.

Visitez [www.Danby.com](http://www.Danby.com) pour accéder aux outils d'autoservice, aux FAQ et bien plus encore. Pour obtenir de l'aide supplémentaire, composez **1-800-263-2629**.

**Notez les informations ci-dessous; Vous aurez besoin de cette information pour obtenir un service sous garantie.**  
**Vous devez fournir le reçu d'achat original pour valider votre garantie et recevoir le service.**

**Numéro de modèle:** \_\_\_\_\_

**Numéro de serie:** \_\_\_\_\_

**Date d'achat:** \_\_\_\_\_

## Besoin d'assistance?

Avant d'appeler pour service, voici quelques choses que vous pouvez faire pour nous aider à mieux vous servir.

### **Lire ce manuel du propriétaire:**

Il contient des instructions pour vous aider à utiliser et à maintenir votre appareil correctement.

### **Si vous recevez un appareil endommagé:**

Contactez immédiatement le revendeur ou l'entrepreneur qui vous a vendu l'appareil.

### **Gagnez du temps et de l'argent:**

Avant d'appeler pour service, consultez la section de dépannage à la fin de ce manuel. Cette section vous aidera à résoudre les problèmes courants pouvant survenir.



1-800-26- Danby  
(1-800-263-2629)



## Consignes de sécurité importantes

### LIRE ET SUIVRE TOUTES LES INSTRUCTIONS DE SÉCURITÉ

#### EXIGENCES DE SÉCURITÉ

**DANGER** : Risque d'incendie ou d'explosion.  
Liquide frigorigène inflammable utilisé. Ne pas percer les tubes de réfrigérant.

- N'utilisez pas de dispositifs mécaniques pour dégivrer le réfrigérateur.
- Assurez-vous que l'entretien est effectué par le personnel de service autorisé en usine, afin de minimiser les dommages sur les produits ou les questions de sécurité.
- Consultez le manuel de réparation ou le guide du propriétaire avant d'essayer de réparer ce produit. Toutes les précautions de sécurité doivent être respectées.
- Éliminer conformément aux règlements fédéraux ou locaux.
- Suivez attentivement les instructions de manutention.
- Ne pas stocker des substances explosives comme les bombes aérosol avec un propulseur inflammable dans cet appareil.

**AVERTISSEMENT** : Garder les ouvertures de ventilation, dans l'enceinte de l'appareil ou dans la structure intégrée, sans obstruction.

**AVERTISSEMENT** : N'utilisez pas de dispositifs mécaniques ou d'autres moyens pour accélérer le processus de dégivrage, autres que ceux recommandés par le fabricant.

**AVERTISSEMENT** : Ne pas endommager le circuit de réfrigérant.

**AVERTISSEMENT** : N'utilisez pas d'appareils électriques à l'intérieur des compartiments de stockage d'aliments de l'appareil, à moins qu'ils ne soient du type recommandé par le fabricant.

**ATTENTION** : Les enfants devraient être surveillés pour s'assurer qu'ils ne jouent pas avec l'appareil.

**DANGER** : Risque de piégeage des enfants. Avant de jeter un ancien appareil :

- Retirez la porte ou le couvercle.
- Laissez les étagères en place afin que les enfants ne puissent pas facilement monter à l'intérieur.

**DANGER**: N'ajoutez pas de verrou à la porte ou au couvercle. Cela peut entraîner le piégeage et le préjudice des enfants.

#### EXIGENCES DE SÉCURITÉ

Cet appareil n'est pas destiné à être utilisé par des personnes (y compris des enfants) dont les capacités physiques, sensorielles ou mentales peuvent être différentes ou réduites, ou qui n'ont pas d'expérience ou de connaissances, à moins que ces personnes ne reçoivent de supervision ou de formation pour faire fonctionner l'appareil par une personne responsable de leur sécurité.

Cet appareil est destiné à être utilisé dans des applications domestiques et similaires telles que:

- Cuisines du personnel dans les magasins, les bureaux et autres environnements de travail;
- Les maisons de ferme et par les clients dans les hôtels, motels et autres environnements de type résidentiel;
- Chambres d'hôtes;
- Restauration et applications similaires non commerciales.

#### INSTRUCTIONS DE MISE À LA TERRE

Cet appareil doit être mis à la terre. La mise à la terre réduit le risque de choc électrique en fournissant un fil d'échappement pour le courant électrique.

Cet appareil possède un cordon doté d'un fil de mise à la terre avec une fiche à 3 broches. Le cordon d'alimentation doit être branché sur une prise correctement mise à la terre. Si la sortie est une prise murale à 2 broches, elle doit être remplacée par une prise murale à 3 broches correctement mise à la terre. La plaque signalétique en série indique la tension et la fréquence auxquelles l'appareil est conçu.

**AVERTISSEMENT** - Une utilisation incorrecte de la fiche de mise à la terre peut entraîner un risque d'électrocution. Consultez un électricien qualifié ou un agent de service si les instructions de mise à la terre ne sont pas complètement comprises ou s'il existe un doute quant à savoir si l'appareil est correctement mis à la terre.

**Ne branchez pas votre appareil à des rallonges ou avec un autre appareil dans la même prise murale.** Ne pas épisser le cordon d'alimentation. Ne coupez ou retirez en aucun cas la troisième broche du cordon d'alimentation. N'utilisez pas de cordons de prolongement ou d'adaptateurs sans mise à la terre (deux broches).

Si le cordon d'alimentation est endommagé, il doit être remplacé par le fabricant, son agent de service ou une personne qualifiée similaire afin d'éviter tout risque.

**GARDEZ CES INSTRUCTIONS!**

# INSTALLATION INSTRUCTIONS

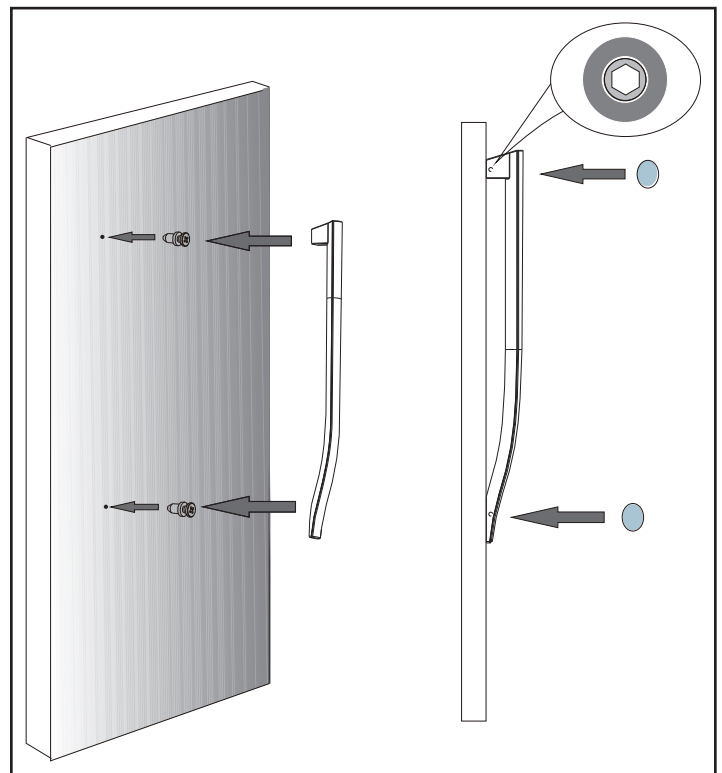
## EMPLACEMENT

- Deux personnes doivent être utilisées pour déplacer l'appareil.
- Retirer l'emballage intérieur et extérieur avant l'installation. Essuyez l'extérieur de l'appareil avec un chiffon doux et sec et à l'intérieur avec un chiffon humide tiède.
- Placez votre appareil sur un plancher qui est assez fort pour le soutenir quand il est complètement chargé.
- Ne placez pas l'appareil directement dans la lumière du soleil ou à proximité de sources de chaleur, comme un poêle ou un réchauffeur, car cela peut augmenter la consommation électrique. Des températures ambiantes extrêmes et froides peuvent également provoquer un dysfonctionnement de l'appareil.
- Ne pas utiliser ce produit près de l'eau, par exemple, dans un sous-sol humide ou près d'un évier.
- Cet appareil est destiné à un usage domestique seulement. Cette unité n'est pas conçue pour une installation extérieure, y compris une installation où la température n'est pas contrôlée (garages, porches, carports, etc.).
- Avant de brancher l'appareil à une source d'alimentation, laissez-le debout pendant environ 6 heures; Ceci réduira la possibilité d'un dysfonctionnement dans le système de refroidissement de la manipulation pendant le transport.
- Cet appareil mesure 74,9 cm (29,5 pouces) de largeur sur 164,8 cm (64,9 pouces) de hauteur et 83,3 cm (32,8 pouces) de profondeur. Assurez-vous de laisser un minimum d'espace entre l'appareil et tous les murs et événements environnants.
- Laissez 12,7 cm (5 pouces) d'espace entre l'arrière de l'appareil et le mur. Laissez 5 cm (2 pouces) d'espace entre les côtés et le dessus de l'appareil et des murs adjacents.
- Cet appareil est destiné uniquement à une installation autonome et ne doit pas être intégré dans une armoire ou un compteur. La construction de cet appareil peut provoquer un dysfonctionnement.

## INSTALLATION DE LA POIGNÉE DE PORTE

Pour éviter d'éventuels dommages pendant le transport, la poignée doit être installée par l'utilisateur final.

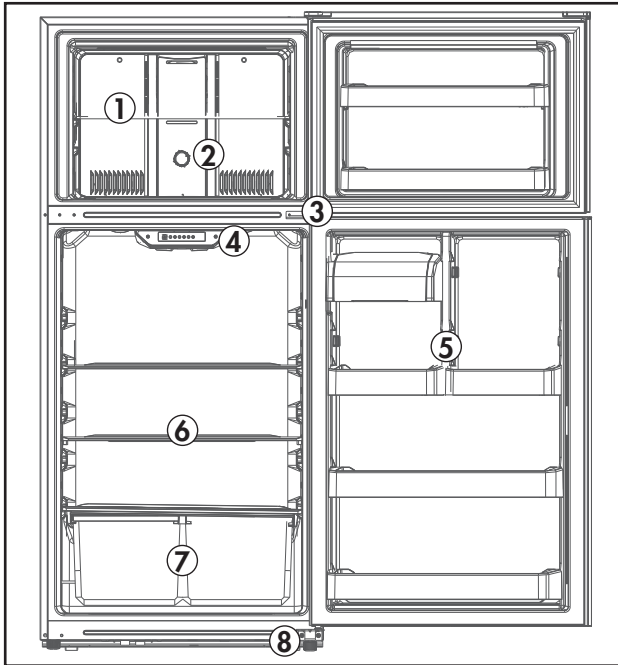
1. Retirez les boulons du sac d'accessoires. Retirez les couvercles des trous de vis de l'avant de la porte. Installez les boulons dans les trous de vis.
2. Installez la poignée de porte sur les boulons et assurez-vous que la poignée touche la surface de la porte.
3. Serrez les vis sur le côté de la poignée pour fixer la poignée à la porte.
4. Trouvez les bouchons à vis dans le sac d'accessoires. Insérez-les sur les vis de la poignée.



# CONSIGNES D'UTILISATION

## CARACTÉRISTIQUES

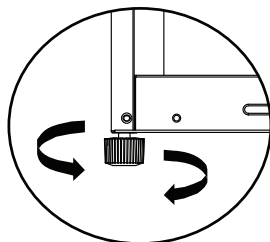
1. Étagère de congélateur de fil
2. Cadran de conduit d'air
3. Joint magnétique
4. Panneau d'affichage
5. Stockage de porte en plastique moulé
6. Étagères de réfrigérateur en verre
7. Bac à légumes
8. Pieds réglables



## INSTRUCTIONS DE NIVEAU

Il y a deux pieds réglables au bas de l'appareil qui peuvent être montés ou bas pour s'assurer que l'appareil est au niveau.

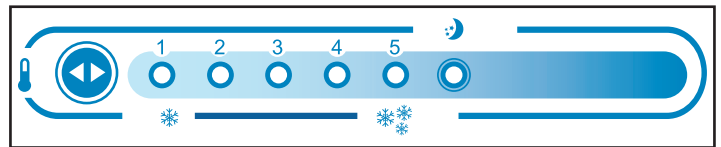
1. Tournez les pieds de nivellement dans le sens inverse des aiguilles d'une montre aussi loin que possible, jusqu'à ce que le haut du pied touche le bas du cabinet.
2. Tournez lentement les jambes de nivellement dans le sens des aiguilles d'une montre jusqu'à ce que l'appareil soit à niveau.



## SÉLECTION DE LA TEMPÉRATURE DU RÉFRIGÉRATEUR

Le panneau de commande du réfrigérateur se trouve sur le plafond intérieur du compartiment réfrigérateur. Lorsque l'appareil est branché pour la première fois, les voyants de l'écran s'allument pendant 3 secondes lorsque le tableau de commande démarre. Lorsque les lumières s'éteignent, le réfrigérateur fonctionne normalement et la température peut être réglée.

Appuyez plusieurs fois sur le bouton de réglage pour régler la température de l'appareil entre 1 et 5. 1 est le réglage le plus chaud et 5 est le réglage le plus froid. Le voyant s'allume pour indiquer quel niveau est actuellement sélectionné.



## MODE SOMMEIL

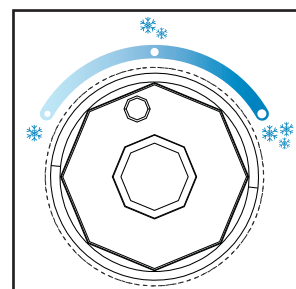
Appuyez sur le bouton de réglage et maintenez-le enfoncé pendant 3 secondes pour mettre l'appareil en mode sommeil.

En mode sommeil, le voyant du mode sommeil s'allume et le compresseur ne fonctionne pas. Cela permet à la porte du réfrigérateur d'être laissée ouverte pendant le nettoyage ou l'ajout de grandes quantités de nourriture sans utiliser d'énergie.

Pour annuler le mode sommeil, appuyez une fois sur le bouton de réglage et le réfrigérateur retournera au fonctionnement normal.

## SÉLECTION DE LA TEMPÉRATURE DU CONGÉLATEUR

La commande du congélateur est située sur la paroi arrière du compartiment congélateur. Tournez le bouton pour régler le congélateur à la température désirée.



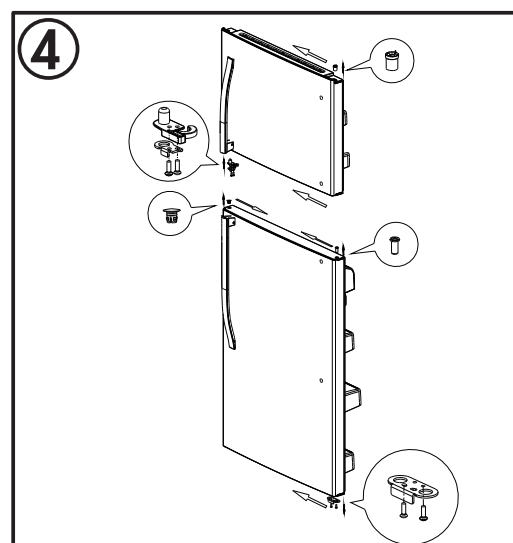
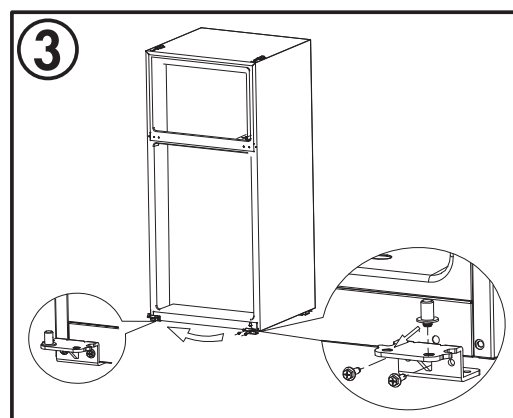
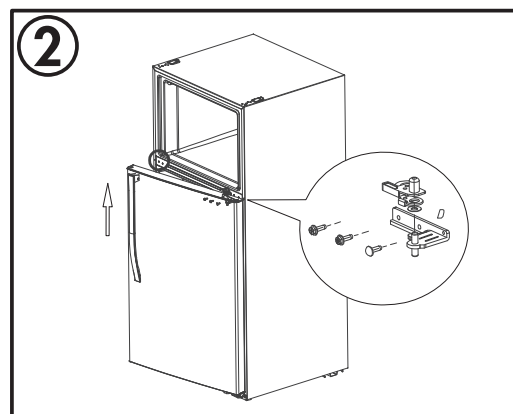
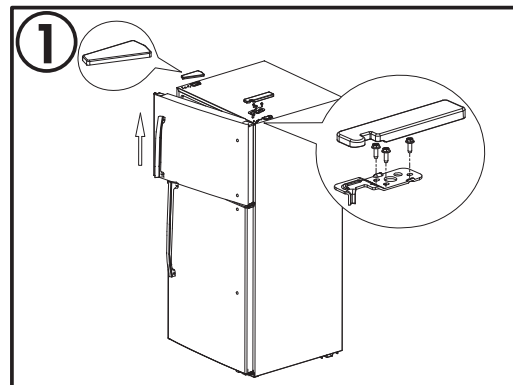


# CONSIGNES D'UTILISATION

## INSTRUCTIONS D'INVERSION DE PORTE

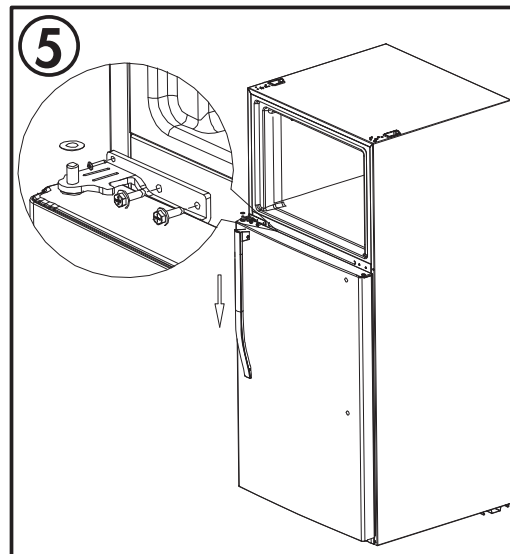
Si l'appareil est placé sur le dos ou sur le côté pendant un certain temps pendant ce processus, il doit être autorisé à rester debout pendant 6 heures avant de le brancher pour éviter d'endommager les composants internes.

1. Retirez la plaque de recouvrement sur le côté supérieur gauche de l'armoire. Retirez le couvercle de la charnière et la charnière supérieure du côté supérieur gauche de l'armoire.
2. Soulevez la porte du congélateur vers le haut pour l'enlever de l'armoire. Retirez la charnière centrale. Soulevez la porte du réfrigérateur vers le haut pour la retirer de l'armoire.
3. Retirez la charnière inférieure du côté inférieur droit de l'armoire. Dévissez l'axe de charnière du côté droit de la charnière inférieure et déplacez-le vers le côté gauche de la charnière inférieure. Installez la charnière inférieure sur le côté gauche de l'armoire.
4. Retirez les manchons de charnière du côté supérieur droit des portes du réfrigérateur et du congélateur. Retirez les couvercles des trous du côté supérieur gauche des portes du réfrigérateur et du congélateur. Insérez les couvercles de trou dans les trous sur le côté supérieur droit des portes. Insérez les manchons de charnière dans les trous sur le côté supérieur gauche des portes. Retirez le bloc autobloquant et la butée de porte du côté inférieur droit de la porte du congélateur et installez-le sur le côté inférieur gauche de la porte du congélateur. Retirez la butée de porte du bas du côté droit de la porte du réfrigérateur et installez-la sur le côté inférieur gauche de la porte du réfrigérateur.

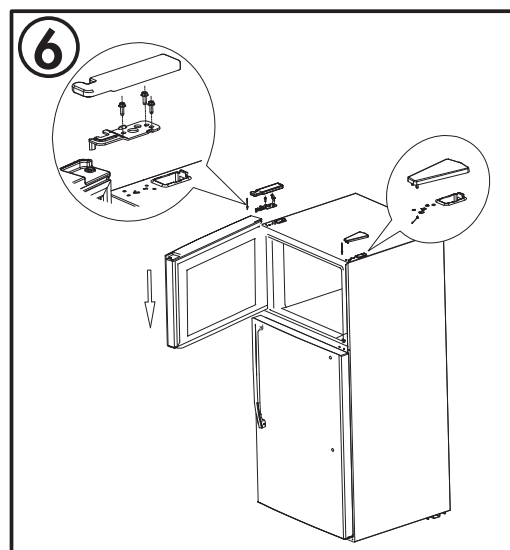


## CONSIGNES D'UTILISATION

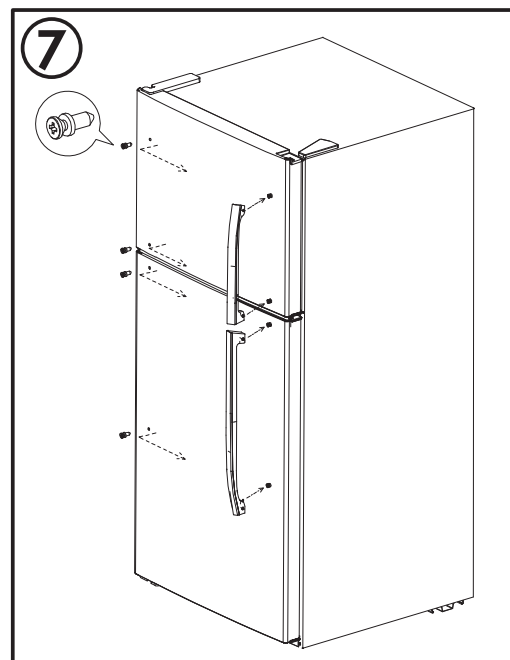
5. Installez la porte du réfrigérateur sur la charnière inférieure. Retirez la charnière centrale gauche du sac d'accessoires et installez-la sur l'armoire.



6. Installez la porte du congélateur sur la charnière centrale. Installez la charnière supérieure sur le côté supérieur gauche de l'armoire. Installez la plaque de recouvrement sur le côté supérieur droit de l'armoire.



7. Déplacez les poignées du congélateur et du réfrigérateur sur le côté droit de l'armoire.





## SOINS ET ENTRETIEN

### NETTOYAGE

Assurez-vous que l'appareil est débranché avant de nettoyer une partie de l'appareil.

- Pour nettoyer l'intérieur de l'appareil, utilisez un chiffon doux et une solution d'une cuillère à soupe de bicarbonate de soude à un quart d'eau ou une solution de savon doux ou un détergent doux.
- Lavez les tablettes amovibles dans une solution détergente douce, puis séchez et essuyez avec un chiffon doux.
- Nettoyez l'extérieur avec un chiffon doux et humide et un peu de détergent doux.
- Il est important de garder la région de scellement de la porte sur l'armoire propre. Nettoyez avec un tissu savonneux, rincez la région et puis séchez.

**Remarque:** N'utilisez pas de produits nettoyants comprenant de l'ammoniaque ou de l'alcool sur l'appareil. L'ammoniaque ou l'alcool peuvent altérer le fini de l'appareil. N'utilisez jamais de nettoyant industriels sur aucune partie de votre appareil.

### PANNE DE COURANT

La plupart des pannes de courant ne durent que quelques heures et ne devraient pas modifier la température de votre l'appareil si vous réduisez au maximum le nombre de fois où la porte est ouverte. Si le courant reste coupé pendant une longue période, il faut prendre des mesures de protection du contenu de l'appareil.

**Remarque:** Attendez 3 à 5 minutes avant d'essayer de redémarrer le réfrigérateur si l'opération a été interrompue.

### DÉGIVRER

Cet appareil est équipé d'une fonction de dégivrage automatique et ne nécessite pas de dégivrage manuel. Le dégivrage de l'eau de l'appareil est canalisé dans un tiroir situé au-dessus du compresseur. Le transfert de chaleur du compresseur provoque l'évaporation de l'eau de dégivrage.

### LUMIÈRE INTÉRIEURE

Pour remplacer l'ampoule LED:

1. Débranchez le réfrigérateur.
2. L'ampoule est située dans la partie supérieure de l'armoire du réfrigérateur.
3. À l'aide d'un tournevis, retirez la vis qui fixe le cache de la lampe, puis retirez le cache de la lampe.
4. Remplacez la LED par une nouvelle LED, puissance d'entrée nominale: 115V AC 3,5 W.
5. Remplacez le couvercle de la lampe.
6. Rebranchez le réfrigérateur et reprenez un fonctionnement normal.

### VACANCES

- **Courtes vacances:** Laissez le unité fonctionner pendant les vacances durant moins de trois semaines.
- **Longues vacances:** Si l'unité ne doit pas être utilisé pendant plusieurs mois, retirez tout ce qu'il contient et mettez-le hors tension. Nettoyez et asséchez à fond l'intérieur. Pour éviter les odeurs et le développement de moisissures, laissez la porte entrouverte, la coincer au besoin.

### DÉMÉNAGER

- Supprimez tous les contenus.
- Fixez fermement les étagères à l'intérieur de l'appareil.
- Tournez les pattes réglables vers le haut pour éviter d'endommager.
- Fermez la porte.
- Assurez-vous que l'appareil reste en position verticale pendant le transport. Protégez l'extérieur de l'appareil avec une couverture.
- Si l'appareil est placé sur son dos ou sur son côté pendant le transport, en arrivant à la destination, laissez-le rester debout pendant 6 heures avant de brancher pour éviter d'endommager les composants internes.

### ÉLIMINATION DES DÉCHETS

Cet appareil ne doit pas être considéré comme un ordures ménagères, mais il faut prendre le point approprié de collecte des déchets pour le recyclage des composants électriques. Pour plus d'informations sur les points locaux de collecte des déchets, contactez votre agence locale d'élimination des déchets ou votre bureau gouvernemental.

## DÉPANNAGE

**Danby soins du consommateur: 1-800-263-2629**

**Heures d'ouverture:**

Lundi à Jeudi 8 h 30 à 18 h, heure normale de l'Est  
Vendredi de 8 h 30 à 16 h, heure normale de l'Est

Les informations contenues dans ce manuel sont sujettes à modification sans préavis.

<b>PROBLÈME</b>	<b>CAUSE POSSIBLE</b>
<b>L'appareil n'est pas alimenté</b>	<ul style="list-style-type: none"><li>• Un fusible de votre panneau de distribution peut être grillé ou le disjoncteur déclenché</li><li>• La fiche n'est pas complètement insérée dans prise murale</li></ul>
<b>La température interne n'est pas assez froide</b>	<ul style="list-style-type: none"><li>• Le réglage de la température est trop chaud</li><li>• Le porte n'est pas fermées correctement ou ouverte trop souvent</li><li>• Ajout récemment d'une grande quantité de nourriture chaude au cabinet</li><li>• Proximité de la source de chaleur ou de la lumière directe du soleil</li><li>• La température ambiante ou l'humidité est très élevée</li></ul>
<b>L'appareil fonctionne en continu</b>	<ul style="list-style-type: none"><li>• Le réglage de la température est trop froid</li><li>• Le porte n'est pas fermées correctement ou ouverte trop souvent</li><li>• Ajout récemment d'une grande quantité de nourriture chaude au cabinet</li><li>• Proximité de la source de chaleur ou de la lumière directe du soleil</li><li>• La température ambiante ou l'humidité est très élevée</li></ul>
<b>La température interne est trop froide</b>	<ul style="list-style-type: none"><li>• Le réglage de la température est trop froid</li></ul>
<b>Des bruits</b>	<ul style="list-style-type: none"><li>• Les pièces se développent ou le fluide frigorigène circule; c'est normal</li></ul>

## GARANTIE LIMITÉE « À DOMICILE »

Cet appareil de qualité est garanti exempt de tout vice de matière première et de fabrication, s'il est utilisé dans les conditions normales recommandées par le fabricant.

Cette garantie n'est offerte qu'à l'acheteur initial de l'appareil vendu par Danby Products Limited (Canada) ou Danby Products Inc. (É.-U.) (ci-après « Danby ») ou par l'un de ses distributeurs agréés et elle ne peut être transférée.

### CONDITIONS

Les pièces en plastique sont garanties pendant trente (30) jours seulement à partir de la date de l'achat, sans aucune prolongation prévue.

**Premiers 12 mois** Pendant les premiers **douze (12) mois**, toutes les pièces fonctionnelles de ce produit qui s'avèrent défectueuses seront réparées ou remplacées, selon le choix du garant, sans frais à l'acheteur initial.

**Pour bénéficiaire du service** S'adresser au détaillant qui a vendu l'appareil, ou à la station technique agréée de service la plus proche, où les réparations doivent être effectuées par un technicien qualifié. Si les réparations sont effectuées par quiconque autre que la station de service agréée ou à des fins commerciales, toutes les obligations de Danby en vertu de cette garantie seront annulées.

**Limites de l'entretien à domicile** Danby se réserve le droit de limiter les limites de « Service au domicile » à proximité d'un dépôt de service agréé. Pour tout appareil nécessitant le service hors des limites de "Service à domicile" il sera la responsabilité du consommateur de transporter à ses frais au point d'achat d'origine ou un dépôt de service pour la réparation. Si l'appareil est installé à plus de **100 kilomètres (62 milles)** du centre de service le plus proche, il doit être livré à l'atelier de réparation autorisé par Danby le plus proche, car l'entretien doit uniquement être réalisé par un technicien qualifié et certifié pour effectuer un entretien couvert par la garantie de Danby.

Les frais de transport entre votre domicile et le lieu de l'entretien ne sont pas couverts par la présente garantie et doivent être acquittés par l'acheteur.

Aucune partie de la garantie ne prévoit implicitement que le fabricant sera tenu responsable des dommages subis par les aliments ou d'autres types de contenu, qu'ils soient causés par la défectuosité de l'appareil ou par son usage adéquat ou inadéquat.

### EXCLUSIONS

En vertu de la présente, il n'existe aucune autre garantie, condition ou représentation, qu'elle soit exprimée ou tacite, de façon manifeste ou intentionnelle, par Danby ou ses distributeurs agréés. De même, sont exclues toutes les autres garanties, conditions ou représentations, y compris les garanties, conditions ou représentations en vertu de toute loi régissant la vente de produits ou de toute autre législation ou règlement semblable. **En vertu de la présente, Danby ne peut être tenue responsable en cas de blessures corporelles ou de dégâts matériels, y compris à l'appareil, quelle qu'en soit la cause. Danby ne peut pas être tenue responsable des dommages indirects dus au fonctionnement défectueux de l'appareil. En achetant l'appareil, l'acheteur accepte de tenir sans reproche et de décharger Danby de toute responsabilité en cas de réclamation pour toute blessure corporelle ou tout dégât matériel causé par cet appareil.**

### CONDITIONS GÉNÉRALES

La garantie ou assurance ci-dessus ne s'applique pas si les dégâts ou réparations sont dus aux cas suivants :

- 1) Panne de courant.
- 2) Dommages subis pendant le transport ou le déplacement de l'appareil.
- 3) Alimentation électrique incorrecte (tension faible, câblage défectueux, fusibles incorrects).
- 4) Accident, modification, emploi abusif ou incorrect de l'appareil tel qu'une circulation d'air inadéquate dans la pièce ou des conditions de fonctionnement anormales (température extrêmement élevée ou basse).
- 5) Utilisation dans un but commercial ou industriel (à savoir, si l'appareil n'est pas installé dans un domicile résidentiel).
- 6) Incendie, dommages causés par l'eau, le vol, la guerre, une émeute, des hostilités, ou en cas de force majeure (ouragan, inondation, etc.).
- 7) Visites d'un technicien pour expliquer le fonctionnement de l'appareil au propriétaire.
- 8) Installation inappropriée (par exemple, encastrement d'un appareil autoportant, ou utilisation extérieure d'un appareil non conçu à cet effet, y compris, mais sans s'y limiter : les garages, les patios, les porches ou ailleurs, qui ne sont pas correctement isolés ou climatisés).

La preuve de la date d'achat sera requise pour les réclamations de garantie; conserver la facture de vente. Dans le cas où un service de garantie est requis, présentez la preuve d'achat à notre dépôt de service agréé.

### Service sous garantie

Service au domicile

Danby Products Limited  
PO Box 1778, Guelph, Ontario, Canada N1H 6Z9  
Téléphone : (519) 837-0920 Télécopieur : (519) 837-0449

**1-800-263-2629**

02/18

Danby Products Inc.  
PO Box 669, Findlay, Ohio, U.S.A. 45840  
Téléphone : (419) 425-8627 Télécopieur : (419) 425-8629

# Bienvenido

Bienvenido a la familia Danby. Estamos orgullosos de nuestros productos de calidad y creemos en servicio confiable. Sugerimos que lea este manual del propietario antes de conectar el nuevo aparato ya que contiene información importante sobre la operación, información de seguridad, solución de problemas y consejos de mantenimiento para garantizar la fiabilidad y longevidad de su electrodoméstico.

Visite **www.Danby.com** para acceder a herramientas de autoservicio, preguntas frecuentes y mucho más. Para asistencia adicional, llame al **1-800-263-2629**.

**Tenga en cuenta la información siguiente; Necesitará esta información para obtener un servicio bajo garantía.**

**Debe proporcionar el recibo de compra original para validar su garantía y recibir servicio.**

**Número de modelo:** \_\_\_\_\_

**Número de serie:** \_\_\_\_\_

**Fecha de compra:** \_\_\_\_\_

## Necesitas ayuda?

Antes de llamar al servicio, aquí hay algunas cosas que puede hacer para ayudarnos a servirle mejor.

### **Lea este manual del propietario:**

Contiene instrucciones para ayudarlo a usar y mantener su aparato correctamente.

### **Si recibe un aparato dañado:**

Inmediatamente póngase en contacto con el minorista o el constructor que le vendió el aparato.

### **Ahorre tiempo y dinero:**

Consulte la sección de solución de problemas al final de este manual antes de llamar. Esta sección le ayudará a resolver problemas comunes que pueden ocurrir.



1-800-26- Danby  
(1-800-263-2629)



## Importantes Instrucciones de Seguridad

### LEA Y SIGA TODAS LAS INSTRUCCIONES DE SEGURIDAD

#### REQUERIMIENTOS DE SEGURIDAD

**PELIGRO:** Riesgo de incendio o explosión. Refrigerante inflamable usado. No perforar la tubería del refrigerante.

- No utilice dispositivos mecánicos para descongelar el refrigerador.
- Asegúrese de que el personal de mantenimiento autorizado por la fábrica haga el mantenimiento para minimizar los daños o problemas de seguridad del producto.
- Consulte el manual de reparación o la guía del propietario antes de intentar reparar este producto. Todas las precauciones de seguridad deben ser seguidas.
- Deseche adecuadamente de acuerdo con las regulaciones federales o locales.
- Siga cuidadosamente las instrucciones de manipulación.
- No almacene sustancias explosivas como aerosoles con propelente inflamable en este electrodoméstico.

**ADVERTENCIA:** Mantenga las aberturas de ventilación, en la caja del aparato o en la estructura incorporada, sin obstrucción.

**ADVERTENCIA:** No utilice dispositivos mecánicos u otros medios para acelerar el proceso de descongelación, distintos de los recomendados por el fabricante.

**ADVERTENCIA:** No dañar el circuito refrigerante.

**ADVERTENCIA:** No utilice electrodomésticos dentro de los compartimentos de almacenamiento de alimentos del aparato, a menos que sean del tipo recomendado por el fabricante.

**PRECAUCIÓN:** Los niños deben ser supervisados para asegurarse de que no juegan con el aparato.

**PELIGRO:** Riesgo de atrapamiento de niños. Antes de tirar un electrodoméstico viejo:

- Retire la puerta o la tapa.
- Deje los estantes en su lugar para que los niños no puedan subir fácilmente dentro.

**PELIGRO:** No agregue un candado a la puerta o tapa. Esto puede causar atrapamiento y daño al niño.

#### REQUERIMIENTOS DE SEGURIDAD

Este aparato no está diseñado para ser usado por personas (incluyendo niños) cuyas capacidades físicas, sensoriales o mentales pueden ser diferentes o reducir, o que carecen de experiencia o conocimiento, a menos que dichas personas reciban supervisión o entrenamiento para operar el aparato por una persona responsable de su la seguridad.

Este dispositivo está destinado a ser utilizado en aplicaciones domésticas y similares, tales como:

- Cocinas de personal en tiendas, oficinas y otros entornos de trabajo;
- Casas rurales y clientes en hoteles, moteles y otros entornos de tipo residencial;
- Cama y desayuno;
- Catering y aplicaciones similares no minoristas.

#### INSTRUCCIONES DE CONEXION A TIERRA

Este aparato debe estar conectado a tierra. La puesta a tierra reduce el riesgo de descarga eléctrica proporcionando un cable de escape para la corriente eléctrica.

Este aparato tiene un cable que tiene un cable de conexión a tierra con un enchufe de 3 clavijas. El cable de alimentación debe estar enchufado en un tomacorriente que esté debidamente conectado a tierra. Si el tomacorriente es un enchufe de pared de 2 terminales, debe ser reemplazado por un tomacorriente de pared de 3 clavijas debidamente conectado a tierra. La placa de características en serie indica el voltaje y la frecuencia que el aparato está diseñado para.

**ADVERTENCIA** - El uso incorrecto del enchufe de conexión a tierra puede resultar en un riesgo de descarga eléctrica. Consulte a un electricista calificado o agente de servicio si las instrucciones de conexión a tierra no se entienden completamente o si existe duda sobre si el aparato está debidamente conectado a tierra.

**No conecte el aparato a los cables de extensión ni con otro aparato en la misma toma de corriente.**

No empalme el cable de alimentación. No corte ni extraiga en ningún caso la tercera clavija de tierra del cable de alimentación. No utilice cables de extensión ni adaptadores sin conexión a tierra (dos clavijas).

Si el cable de alimentación está dañado, debe ser reemplazado por el fabricante, su agente de servicio o persona calificada similar para evitar riesgos.

**¡GUARDE ESTAS INSTRUCCIONES!**

# INSTRUCCIONES DE INSTALACIÓN

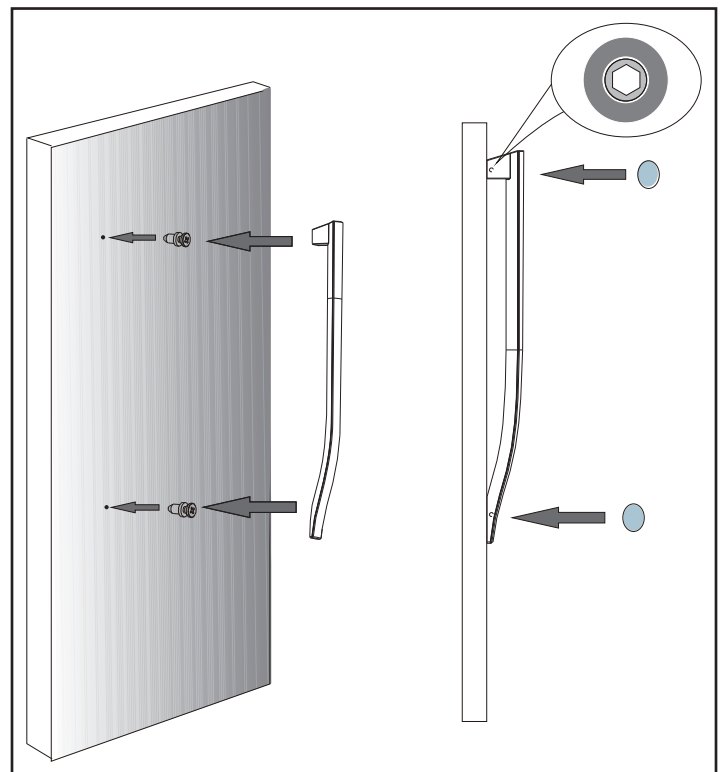
## UBICACIÓN

- Se deben utilizar dos personas al mover el aparato.
- Retire el embalaje interior y exterior antes de la instalación. Limpie el exterior del aparato con un paño suave y seco y el interior con un paño húmedo tibio.
- Coloque el aparato en un piso que sea lo suficientemente fuerte como para soportarlo cuando esté completamente cargado.
- Ubique el aparato lejos de la luz directa del sol y fuentes de calor (estufa, calentador, radiador, etc.). La luz solar directa y las fuentes de calor pueden aumentar el consumo eléctrico. Las temperaturas ambientales extremadamente frías también pueden causar que la unidad funcione incorrectamente.
- No utilice este producto cerca del agua, por ejemplo, en un sótano húmedo o cerca de un fregadero.
- Este aparato está diseñado para uso doméstico solamente. Esta unidad no está diseñada para instalación exterior, incluida la instalación en cualquier lugar que no sea de temperatura controlada (garajes, porches, cocheras, etc.).
- Antes de conectar el aparato a una fuente de alimentación, deje que se mantenga erguido durante aproximadamente 6 horas; Esto reducirá la posibilidad de un malfuncionamiento en el sistema de enfriamiento debido a la manipulación durante el transporte.
- Este electrodoméstico mide 74.9 cm (29.5 pulgadas) de ancho por 164.8 cm (64.9 pulgadas) de alto por 83.3 cm (32.8 pulgadas) de alto. Asegúrese de dejar la cantidad mínima de espacio entre el aparato y todas las paredes y conductos de ventilación circundantes.
- Deje 12.7 cm (5 pulgadas) de espacio entre la parte posterior del dispositivo y la pared. Deje 5 cm (2 pulgadas) de espacio entre los lados y la parte superior del aparato y las paredes adyacentes.
- Este aparato está diseñado para instalación independiente y no está diseñado para ser instalado en un gabinete o mostrador. La construcción en este aparato puede causar un mal funcionamiento.

## INSTALACIÓN DE LA MANIJA DE LA PUERTA

Para evitar posibles daños durante el envío, el mango debe ser instalado por el usuario final.

1. Retire los pernos de la bolsa de accesorios. Retire las cubiertas de los orificios para tornillos de la parte delantera de la puerta. Instale los pernos en los orificios de los tornillos.
2. Instale la manija de la puerta sobre los pernos y asegúrese de que la manija toque la superficie de la puerta.
3. Apriete los tornillos en el costado del mango para asegurar la manija a la puerta.
4. Encuentra las tapas de rosca en la bolsa de accesorios. Insértelos sobre los tornillos en el mango.

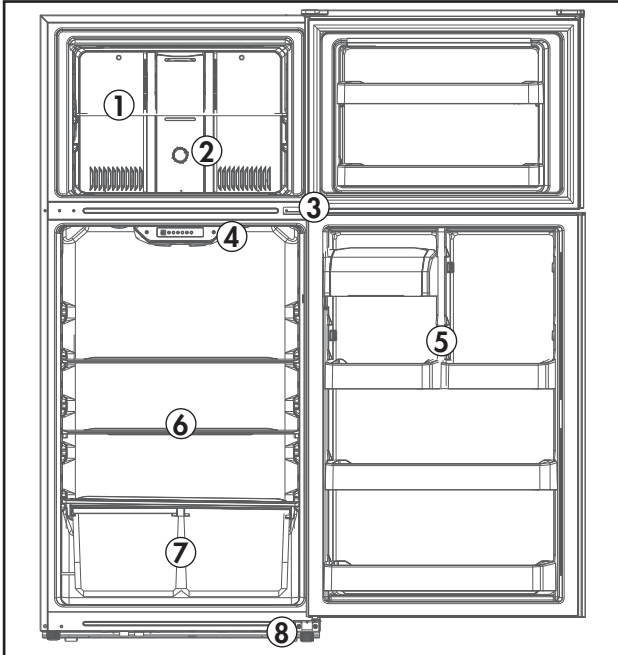




# INSTRUCCIONES DE OPERACIÓN

## CARACTERÍSTICAS

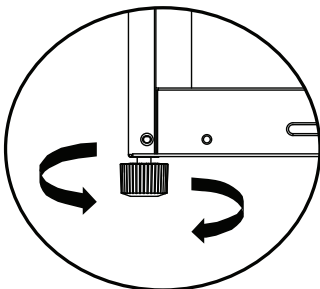
1. Estante del congelador de alambre
2. Control de conductos de aire
3. Junta magnética
4. Panel de visualización
5. Almacenamiento de puerta de plástico moldeado
6. Estantes del refrigerador de cristal
7. Cajón de verduras
8. Pies ajustables



## INSTRUCCIONES DE NIVELACIÓN

Hay dos pies ajustables en la parte inferior del aparato que se pueden subir o bajar para asegurarse de que el aparato esté nivelado.

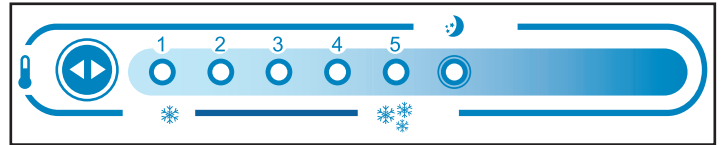
1. Gire los pies de nivelación en sentido antihorario hasta que la parte superior del pie toque la parte inferior del gabinete.
2. Gire lentamente las patas de nivelación en sentido horario hasta que el aparato esté nivelado.



## SELECCIÓN DE TEMPERATURA DEL REFRIGERADOR

El panel de control del refrigerador está ubicado en el techo interior del compartimiento del refrigerador. Cuando el electrodoméstico se enchufa por primera vez, las luces de la pantalla se iluminarán durante 3 segundos mientras se inicia la placa de control. Cuando las luces se apagan, el refrigerador funciona normalmente y la temperatura puede ajustarse.

Presione el botón de configuración varias veces para establecer la temperatura del dispositivo entre 1 y 5. 1 es la configuración más caliente y 5 es la configuración más fría. La luz indicadora se iluminará para mostrar qué nivel está seleccionado actualmente.



## MODO DE ESPERA

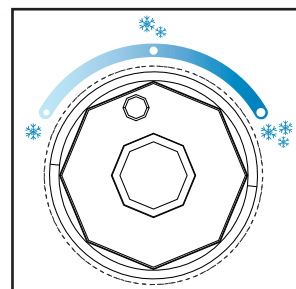
Mantenga presionado el botón de configuración durante 3 segundos para colocar el dispositivo en el modo de espera.

Mientras está en el modo de espera, la luz de espera se iluminará y el compresor no funcionará. Esto permite que la puerta del refrigerador se deje abierta mientras se limpia o se agregan grandes cantidades de alimentos sin usar energía.

Para cancelar el modo en espera, presione el botón Establecer una vez y el refrigerador volverá al funcionamiento normal.

## SELECCIÓN DE TEMPERATURA DEL CONGELADOR

El control del congelador se encuentra en la pared posterior del compartimiento del congelador. Gire el dial para configurar el congelador a la temperatura deseada.

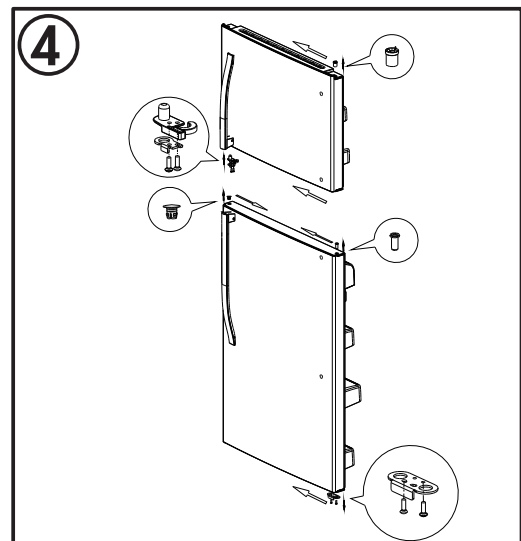
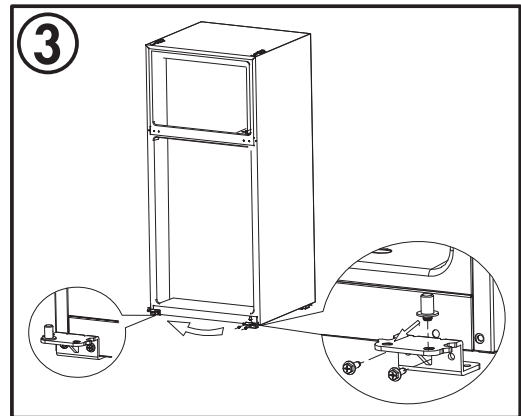
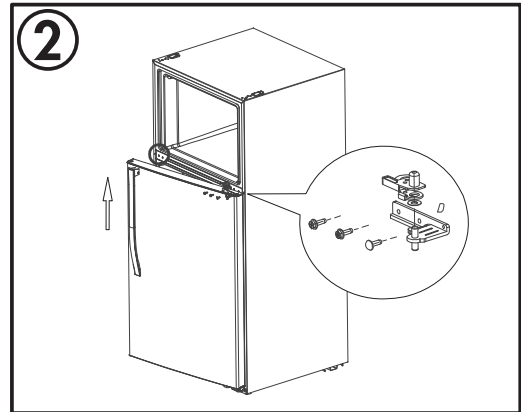
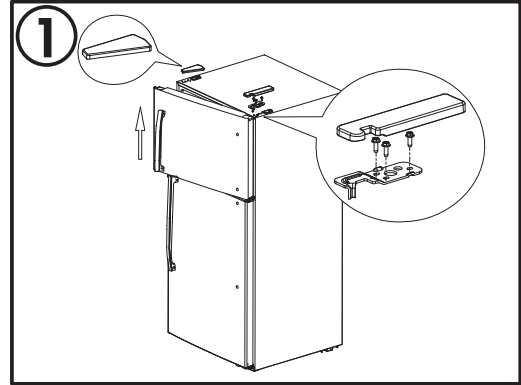


# INSTRUCCIONES DE OPERACIÓN

## INSTRUCCIONES DE INVERSIÓN DE PUERTA

Si el electrodoméstico se coloca de espaldas o de lado por un período de tiempo prolongado durante este proceso, se debe dejar en posición vertical durante 6 horas antes de enchufarlo para evitar dañar los componentes internos.

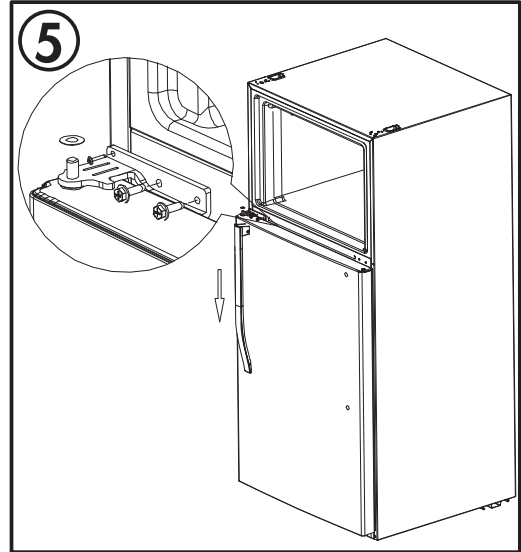
1. Retire la placa de cubierta en el lado superior izquierdo del gabinete. Retire la cubierta de la bisagra y la bisagra superior del lado superior izquierdo del gabinete.
2. Levante la puerta del congelador hacia arriba para sacarla del gabinete. Retire la bisagra central. Levante la puerta del refrigerador hacia arriba para sacarla del gabinete.
3. Retire la bisagra inferior de la parte inferior derecha del gabinete. Desatornille el eje de la bisagra del lado derecho de la bisagra inferior y muévelo al lado izquierdo de la bisagra inferior. Instale la bisagra inferior en el lado izquierdo del gabinete.
4. Retire las mangas de la bisagra de la parte superior derecha de las puertas del refrigerador y del congelador. Retire las tapas de los orificios del lado superior izquierdo de las puertas del refrigerador y del congelador. Inserta las cubiertas de los agujeros en los agujeros en la parte superior derecha de las puertas. Inserte las mangas de la bisagra en los agujeros en el lado superior izquierdo de las puertas. Retire el bloque autobloqueante y el tope de la puerta desde la parte inferior derecha de la puerta del congelador e instálelo en la parte inferior izquierda de la puerta del congelador. Retire el tope de la puerta de la parte inferior derecha de la puerta del refrigerador e instálelo en la parte inferior izquierda de la puerta del refrigerador.



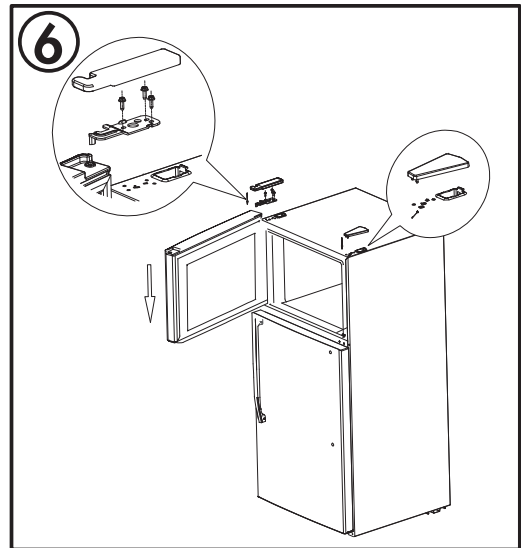


## INSTRUCCIONES DE OPERACIÓN

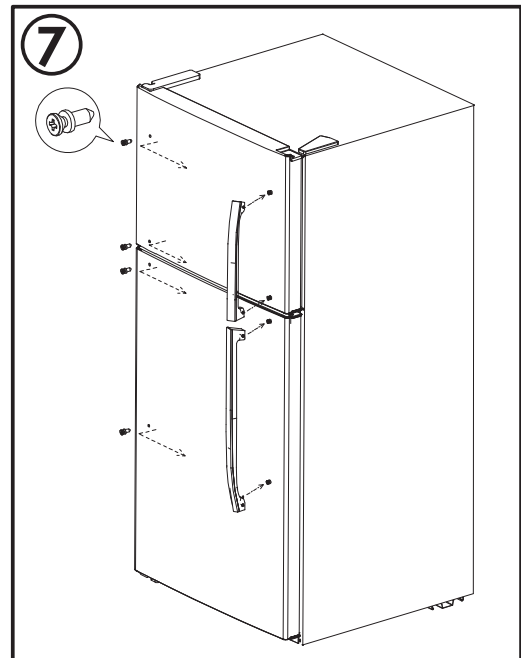
5. Instale la puerta del refrigerador en la bisagra inferior. Retire la bisagra central izquierda de la bolsa de accesorios e instálela en el gabinete.



6. Instale la puerta del congelador en la bisagra central. Instale la bisagra superior en el lado superior izquierdo del gabinete. Instale la placa de cubierta en el lado superior derecho del gabinete.



7. Mueva las manijas de las puertas del congelador y el refrigerador hacia el lado derecho del gabinete.



# CUIDADO Y MANTENIMIENTO

## LIMPIEZA

Asegúrese de que la unidad esté desenchufada antes de limpiar cualquier parte del aparato.

- Para limpiar el interior del aparato, utilice un paño suave y una solución de una cucharada de bicarbonato de sodio a un litro de agua o una solución de jabón suave o algún detergente suave.
- Lave los estantes removibles en una solución de detergente suave, luego seque y limpie con un paño suave.
- Limpie el exterior con un paño suave y húmedo y un poco de detergente suave.
- Es importante mantener el área limpia donde la puerta sella contra el gabinete. Limpie este área con un paño jabonoso. Enjuague con un paño húmedo y deje secar.

**Nota:** No utilice limpiadores que contengan amoníaco o alcohol en el aparato. El amoníaco o el alcohol pueden dañar el aspecto del aparato. Nunca utilice limpiadores comerciales o abrasivos ni objetos afilados en ninguna parte del aparato.

## FALLO DE ALIMENTACIÓN

La mayoría de las fallas de alimentación se corrigen en pocas horas y no deben afectar la temperatura de su aparato si minimiza el número de veces que se abre la puerta. Si la alimentación va a estar apagada por un período de tiempo más largo, tome las medidas apropiadas para proteger su contenido.

**Nota:** Espere de 3 a 5 minutos antes de intentar reiniciar el refrigerador si se ha interrumpido la operación.

## DESCONGELAR

Este aparato está equipado con una función de descongelación automática y no requiere descongelación manual. El agua de descongelación del aparato se canaliza en una bandeja de goteo situada por encima del compresor. La transferencia de calor desde el compresor hace que el agua de descongelación se evapore.

## LUZ INTERIOR

Para reemplazar la bombilla LED:

1. Desenchufe el refrigerador.
2. La bombilla se encuentra en la parte superior del gabinete del refrigerador.
3. Con un destornillador, retire el tornillo que fija la cubierta de la luz, luego retire la cubierta de la luz.
4. Reemplace el LED con un nuevo LED, clasificación de entrada: 115V AC 3.5 W.
5. Vuelva a colocar la cubierta de la luz.
6. Vuelva a enchufar el refrigerador y reanude el funcionamiento normal.

## VACACIONES

- **Vacaciones cortas:** Deje el aparato en funcionamiento durante las vacaciones de menos de tres semanas.
- **Largas vacaciones:** Si el aparato no se va a utilizar durante varios meses, retire todos los artículos y apague el aparato. Limpie y seque el interior a fondo. Para evitar el olor y el moho, deje la puerta ligeramente abierta, bloqueándola si es necesario.

## MUDARSE

- Quite todo el contenido.
- Asegure firmemente los estantes dentro del aparato.
- Gire las patas ajustables para evitar daños.
- Cinta la puerta cerrada.
- Asegúrese de que el aparato permanezca en posición vertical durante el transporte. Proteja el exterior del aparato con una manta.
- Si el aparato se coloca en su parte posterior o lateral durante el transporte, al llegar al destino, déjelo en posición vertical durante 6 horas antes de enchufarlo para evitar daños a los componentes internos.

## DISPOSICIÓN

Este aparato no puede ser tratado como un residuo doméstico normal, sino que debe ser llevado al punto de recogida de residuos apropiado para el reciclaje de componentes eléctricos. Para obtener información sobre los puntos de recogida de residuos locales, póngase en contacto con la agencia local de eliminación de residuos o con la oficina gubernamental.

## SOLUCIÓN SUGERIDA

Danby cuidado del consumidor: 1-800-263-2629

### Horas de operación:

Lunes a Jueves 8:30 am - 6:00 pm Hora estándar del este

Viernes 8:30 am - 4:00 pm Hora estándar del este

La información de este manual está sujeta a cambios sin previo aviso.

PROBLEMA	POSSIBLE CAUSA
No funciona	<ul style="list-style-type: none"><li>• Un fusible en su casa puede soplarse o el interruptor de circuito disparado</li><li>• El enchufe no está completamente insertado en la toma de corriente</li></ul>
La temperatura interna no es lo suficientemente fría	<ul style="list-style-type: none"><li>• La temperatura está demasiado alta</li><li>• La puerta no se cierra correctamente o se abre demasiado</li><li>• Recientemente se agregó una gran cantidad de alimentos calientes al armario</li><li>• Muy cerca de la fuente de calor o de la luz solar directa</li><li>• La temperatura ambiente o la humedad es muy alta</li></ul>
El aparato funciona continuamente	<ul style="list-style-type: none"><li>• La temperatura está demasiado fría</li><li>• La puerta no se cierra correctamente o se abre demasiado</li><li>• Recientemente se agregó una gran cantidad de alimentos calientes al armario</li><li>• Muy cerca de la fuente de calor o de la luz solar directa</li><li>• La temperatura ambiente o la humedad es muy alta</li></ul>
La temperatura interna es demasiado fría	<ul style="list-style-type: none"><li>• La temperatura está demasiado fría</li></ul>
Ruidos	<ul style="list-style-type: none"><li>• Las partes se están expandiendo o el refrigerante está circulando; esto es normal</li></ul>

## GARANTÍA LIMITADA "A DOMICILIO"

Este producto de calidad está garantizado contra defectos de fabricación, incluyendo partes y mano de obra, siempre y cuando la unidad se utilice bajo las condiciones normales de funcionamiento para las que fue diseñado. Esta garantía está solamente disponible para la persona que haya comprado originalmente esta unidad directamente de Danby Products Limited (Canada) o Danby Products Inc. (U.S.A.) (en adelante "Danby") o uno de sus distribuidores autorizados, y no es transferible.

### CONDICIONES DE LA GARANTÍA

Las piezas plásticas, se autorizan por treinta (30) días solamente a partir de la fecha de la compra, sin las extensiones proporcionadas.

**Primeros 12 meses** Durante los primeros **doce (12) meses**, cualquier parte en buen estado de este producto que resulte defectuosa, incluyendo cualquier sistema sellado, será reparado o reemplazado, a opción del fabricante, sin cargo para el comprador ORIGINAL.

**Para obtener servicio** Comuníquese con el distribuidor donde haya comprado la unidad, o llame al Taller de Servicio Autorizado más cercano, donde debe ser reparada por un técnico calificado. Si esta unidad es reparada en otro lugar que no sea un Taller de Servicio Autorizado, o si la unidad se utiliza para aplicaciones comerciales, Danby no se hará responsable de ninguna forma y la garantía será anulada.

**Límites del servicio técnico a domicilio** Danby se reserva el derecho de limitar la cobertura de "Servicio en Domicilio" sujeto a la proximidad de un **Taller de Servicio Autorizado**. Para todo artefacto que requiera servicio fuera del área limitada de "Servicio en Domicilio", el cliente será responsable por transportar dicho artefacto hasta el Taller de Servicio Autorizado más cercano. Si el electrodoméstico está instalado en un lugar que se encuentra a **100 kilómetros (62 millas)** o más del centro de servicios más cercano, se debe llevar la unidad al Centro de servicios Danby autorizado más cercano, ya que dicho servicio sólo puede realizarlo un técnico calificado y certificado por Danby para prestar servicios de garantía.

Los cargos por transporte desde y hacia el lugar en que se efectúe el servicio técnico no están cubiertos por esta garantía y son de responsabilidad del comprador.

Nada dentro de esta garantía implica que Danby será responsable por cualquier daño que hayan sufrido los alimentos u otros contenidos de este aparato, ya sea debido a un defecto del aparato, o su uso, adecuado o inadecuado.

### EXCLUSIONES

Salvo lo aquí indicado por Danby, no existen otras garantías, condiciones o representaciones, explícitas o implícitas, concretas o intencionales por parte de Danby o sus distribuidores autorizados y todas las demás garantías, condiciones o representaciones, incluyendo cualquier garantía, condiciones o representaciones bajo cualquier Acta de Venta de Productos o legislación o estatuto similar, quedan de esta forma expresamente excluidas. **Salvo lo aquí indicado, Danby no serán responsables por ningún daño a personas o bienes, incluyendo la propia unidad, sin importar su causa, o de ningún daño indirecto causado por el desperfecto de la unidad, y al comprar esta unidad, el comprador acepta por la presente, indemnizar y proteger a Danby contra cualquier reclamo por daños a personas o bienes causados por la unidad.**

### CONDICIONES GENERALES

No se considerará ninguna de estas garantías o seguros cuando el daño o la necesidad de reparación sea el producto de los siguientes casos:

- 1) Falla del suministro eléctrico.
- 2) Daños en tránsito o durante el transporte de la unidad.
- 3) Alimentación incorrecta, como bajo voltaje, instalación eléctrica defectuosa o fusibles inadecuados.
- 4) Accidente, modificación, abuso o uso incorrecto del artefacto, tal como insuficiente ventilación del ambiente o condiciones de operación anormales (temperatura ambiente extremadamente alta o baja).
- 5) Utilización comercial o industrial (v.g., si el electrodoméstico no está instalado en una vivienda particular).
- 6) Incendio, daños por agua, robo, guerra, disturbios, hostilidades, actos de fuerza mayor como huracanes, inundaciones, etc.
- 7) Pedidos de servicio debido a desinformación del usuario.
- 8) Instalación inadecuada (v.g., instalación empotrada de un electrodoméstico diseñado como unidad independiente o uso de un electrodoméstico al aire libre que no esté aprobado para dicho fin, incluyendo pero no limitado a: garajes, patios, porches o en cualquier lugar que no esté bien aislado o controlado por el clima).

Se requerirá una prueba de la fecha de compra para reclamaciones de garantía; Retener las facturas de venta. En el caso de que se requiera servicio de garantía, presente el comprobante de compra a nuestro depósito de servicio autorizado.

**Servicio de Garantía**  
Servicio en Domicilio

Danby Products Limited  
PO Box 1778, Guelph, Ontario, Canada N1H 6Z9  
Telephone: (519) 837-0920 FAX: (519) 837-0449

**1-800-263-2629**  
04/17

Danby Products Inc.  
PO Box 669, Findlay, Ohio, U.S.A. 45840  
Telephone: (419) 425-8627 FAX: (419) 425-8629









---

**MODEL • MODÈLE • MODELO**

DFF180E1WDB

DFF180E2SSDB